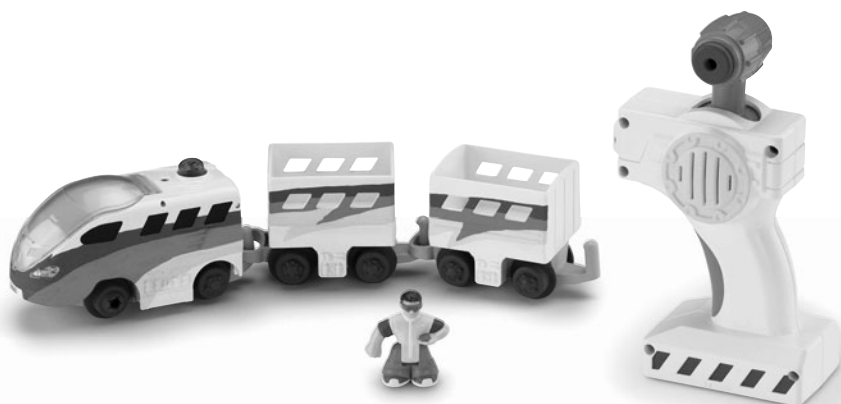


**Fisher-Price®**



**P9694**



**P9695**

Each sold separately and subject to availability.

**GeoTrax™**  
Transportation System

# Battery Installation

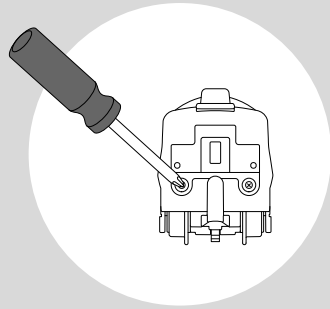


We recommend the use of **alkaline** batteries for longer battery life.

- Please keep this instruction sheet for future reference, as it contains important information.
- Requires six “AAA” (LR03) **alkaline** batteries (not included).
- Adult assembly is required for battery installation.
- Tool required for battery installation: Phillips screwdriver (not included).

## Vehicle

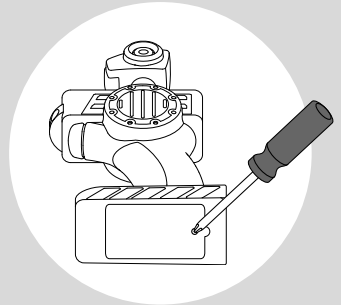
- Locate the battery compartment on the back of the vehicle.
- Loosen the screws in the battery compartment door with a Phillips screwdriver. Lift the battery compartment door and insert three “AAA” (LR03) **alkaline** batteries.
- Close the battery compartment door and tighten the screws with a Phillips screwdriver. Do not over-tighten.
- If this product begins to operate erratically, you may need to reset the electronics. Remove the batteries and replace them in the toy.



**IMPORTANT!** Under normal use conditions, the batteries in the vehicle will require replacement more often than the batteries in the remote controller. For additional information, see the troubleshooting section.

## Remote Controller

- Locate the battery compartment on the bottom of the remote controller.
- Loosen the screw in the battery compartment door with a Phillips screwdriver. Remove the battery compartment door and insert three “AAA” (LR03) **alkaline** batteries.
- Replace the battery compartment door and tighten the screw with a Phillips screwdriver. Do not over-tighten.
- If this product begins to operate erratically, you may need to reset the electronics. Remove the batteries and replace them in the toy.



- Protect the environment by not disposing of this product with household waste (2002/96/EC). Check your local authority for recycling advice and facilities (Europe only).

# Battery Safety Information

In exceptional circumstances, batteries may leak fluids that can cause a chemical burn injury or ruin your toy. To avoid battery leakage:

- Do not mix old and new batteries or batteries of different types: alkaline, standard (carbon-zinc) or rechargeable (nickel-cadmium).
- Insert batteries as indicated inside the battery compartment.
- Remove batteries during long periods of non-use. Always remove exhausted batteries from the toy. Dispose of batteries safely. Do not dispose of product in a fire. The batteries inside may explode or leak.
- Never short-circuit the battery terminals.
- Use only batteries of the same or equivalent type, as recommended.
- Do not charge non-rechargeable batteries.
- Remove rechargeable batteries from the toy before charging.
- If removable, rechargeable batteries are used, they are only to be charged under adult supervision.

## **ICES-003**

- This Class B digital apparatus complies with Canadian ICES-003.
- Operation is subject to the following two conditions: (1) this device may not cause harmful interference and (2) this device must accept any interference received, including interference that may cause undesired operation.

## **NMB-003**

- Cet appareil numérique de la classe B est conforme à la norme NMB-003 du Canada.
- L'utilisation de ce dispositif est autorisée seulement aux conditions suivantes : (1) il ne doit pas produire de brouillage et (2) l'utilisateur du dispositif doit être prêt à accepter tout brouillage radioélectrique reçu, même si ce brouillage est susceptible de compromettre le fonctionnement du dispositif.



## CONSUMER ASSISTANCE

Call toll free: 1-800-432-5437 (US & Canada only)  
M-F 9AM to 7PM / SAT 11AM to 5PM (EST)



**service.fisher-price.com**

Write to us at: Fisher-Price® Consumer Relations,  
636 Girard Avenue, East Aurora, New York 14052.

Hearing-impaired consumers using TTY/TDD equipment,  
please call 1-800-382-7470.

---

For countries outside the United States:

Canada: Mattel Canada Inc., 6155 Freemont Blvd.,  
Mississauga, Ontario L5R 3W2; [www.service.mattel.com](http://www.service.mattel.com).

Great Britain: [Mattel UK Ltd, Vanwall Business Park,  
Maidenhead SL6 4UB. Helpline: 01628 500303.  
\[www.service.mattel.com/uk\]\(http://www.service.mattel.com/uk\)](http://Mattel UK Ltd, Vanwall Business Park, Maidenhead SL6 4UB. Helpline: 01628 500303. www.service.mattel.com/uk)

Australia: Mattel Australia Pty. Ltd., 658 Church Street,  
Locked Bag #870, Richmond, Victoria 3121 Australia.  
Consumer Advisory Service 1300 135 312.

New Zealand: 16-18 William Pickering Drive,  
Albany 1331, Auckland.

Asia: Mattel East Asia Ltd, Room 1106, South Tower,  
World Finance Centre, Harbour City, Tsimshatsui, HK, China.

### FCC Statement (United States Only)

This equipment has been tested and found to comply with the limits for a Class B digital device, pursuant to Part 15 of the FCC Rules. These limits are designed to provide reasonable protection against harmful interference in a residential installation. This equipment generates, uses and can radiate radio frequency energy and, if not installed and used in accordance with the instructions, may cause harmful interference to radio communications. However, there is no guarantee that interference will not occur in a particular installation. If this equipment does cause harmful interference to radio or television reception, which can be determined by turning the equipment off and on, the user is encouraged to try to correct the interference by one or more of the following measures:

- Reorient or relocate the receiving antenna.
- Increase the separation between the equipment and receiver.
- Consult the dealer or an experienced radio/TV technician for help.

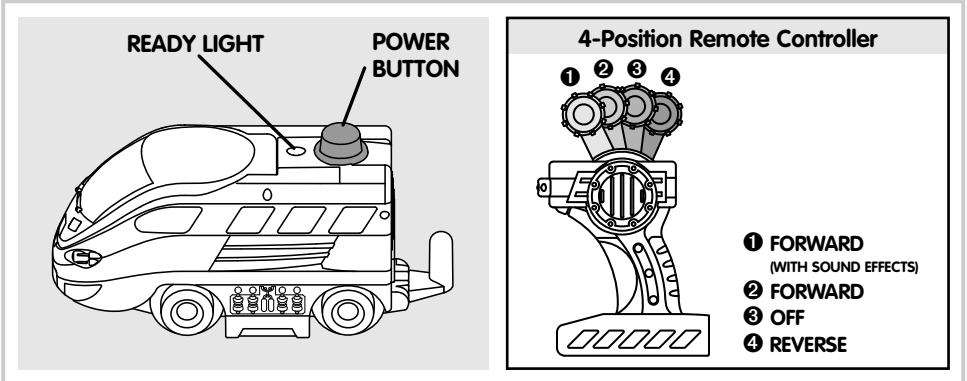
Note: Changes or modifications not expressly approved by the manufacturer responsible for compliance could void the user's authority to operate the equipment. This device complies with Part 15 of the FCC Rules.

Operation is subject to the following two conditions: (1) This device may not cause harmful interference and (2) this device must accept any interference received, including interference that may cause undesired operation.

# All Aboard!

- Hook the cars together. Make sure the engine is in front.

**Hint:** We do not recommend using the engine on carpets. For best performance, use on hard, flat surfaces.



- Press the power button on top of the engine. The ready light turns on.
- Hold the remote controller with the stick facing you. Point the remote controller toward the vehicle and push the stick forward. The vehicle moves forward.
- Pull the stick back a little to stop the vehicle.
- Pull the stick all the way back and the vehicle travels in reverse. Release the stick to stop.

## Hints:

- If you do not operate the remote controller for a few minutes, the vehicle shuts off and the ready light turns off. Press the vehicle power button and operate the remote controller to restart.
- This toy works best if you have a clear path between the remote controller and the vehicle. Point the remote controller at the vehicle. The maximum range of the remote controller is about 12 feet (3.66 m).
- Wipe the toy with a clean, damp cloth. Do not immerse.

# Troubleshooting

SYMPTOM	SOLUTION
<b>Vehicle drives slowly</b>	<p>Battery power in the vehicle may be weak. Replace all three batteries in the vehicle with new, <b>alkaline</b> batteries.</p> <p>The wheels on the vehicle may be dirty. Wipe them with a clean cloth.</p>
<b>Vehicle does not respond to the remote controller</b>	<p>Battery power in the remote controller may be weak. Replace all three batteries in the remote controller with new, <b>alkaline</b> batteries.</p> <p>You may be beyond the maximum range of the remote controller which is about 12 feet (3.66 m).</p> <p>You may not have a clear path between the remote controller and the vehicle. This toy works best when there are no obstructions between the vehicle and the remote controller.</p> <p>Bright sunlight or fluorescent lights may affect the range of the remote controller. Try dimming the room you are playing in.</p> <p>The vehicle may have shut off. If you do not operate the remote controller for a few minutes, the vehicle shuts off automatically and the ready light turns off. Press the power button on the vehicle, and operate the remote controller to restart.</p>