

TODDLER BED

© 2002

ASSEMBLY & OPERATION MANUAL

Congratulations on purchasing a Million Dollar Baby product. Please be sure to follow the instructions for proper assembly. Use a Phillips screwdriver and a regular screwdriver for assembling the bed. Do not use electric drills or power screwdrivers. Please understand that natural woods have color variations which are the result of nature and are not defects in workmanship.



PLEASE RECORD THE FOLLOWING FOR FUTURE REFERENCE:

Model/Item Number* _____

P. O. /Lot Number* _____

Date of Purchase _____

Store Purchased From _____

Finish	cherry	—	oak	—
	maple	—	white	—
	natural	—	unfinished	—
	other	—		

* Refer to the cardboard box.

ONE YEAR LIMITED WARRANTY:

We will replace any missing parts at the time of purchase or any defective items within a one year period from the date of original purchase. Please keep your receipt so that we may process your warranty request. This warranty only covers new units with original packaging and ownership and is non-transferable. It does not cover any used, secondhand or demo models.

This warranty does not cover any damaged or defective parts that result from normal wear and tear, abuse, negligence, improper use or alteration to the finish, design, and hardware. The specific legal rights of this warranty may vary from state to state. Some states do not allow any exclusion or limitation of incidental or consequential damages. Some states do not allow limitation on how long an implied warranty lasts.

IF YOU WOULD LIKE TO ORDER REPLACEMENT OR MISSING PARTS PLEASE VISIT US AT:

WWW.MILLIONDOLLARBABY.COM

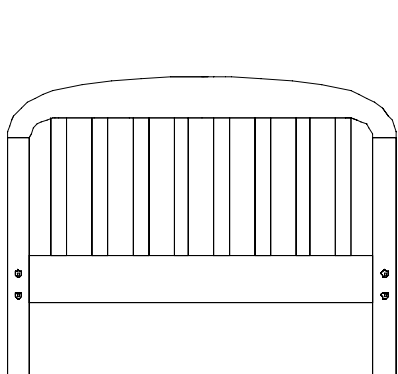
OR YOU CAN CONTACT US BY MAIL.

**MILLION DOLLAR BABY
855 WASHINGTON BLVD.
MONTEBELLO, CA 90640**

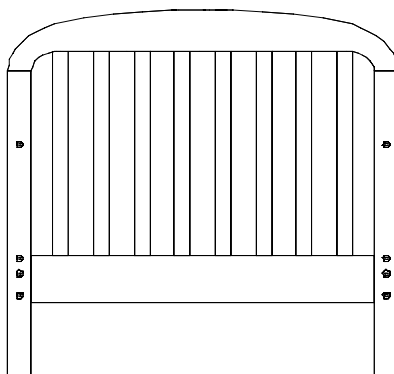
WARNING: When using this product, always secure the child with the safety strap. Stop using this changer when the child is able to sit up or roll over. Never leave the child unattended by an adult. Check regularly to see that all fasteners are tight. This product is for residential use only. Any institutional use is strictly prohibited.

1 Unpack and separate all parts, bolts, screws and clip angles. All holes for attachment have been pre-drilled. No drilling by the customer is necessary. Ask your store or call us for replacement of missing parts. On the front page, record your model/item number, P.O./lot number, date of purchase, store purchased from and the finish color for future reference.

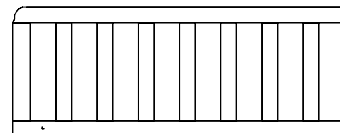
Do not substitute parts. All models have the same quantity of parts and hardware. Your model may look different from the one illustrated due to stylistic variations. We continue to improve our products and may make minor changes to the design. These changes may not be reflected in the instructions.



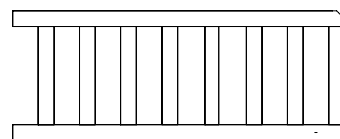
A Footboard



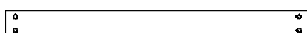
B Headboard



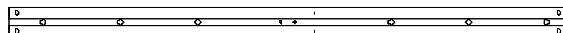
C Left side panel



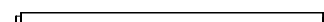
D Right side panel



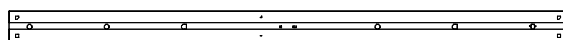
E Center slat



F Left side rail

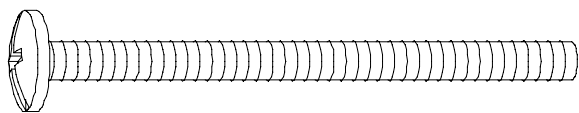


G Slats (6 pieces)

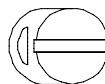


H Right side rail

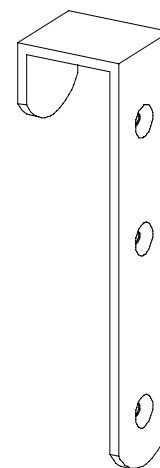
Hardware package



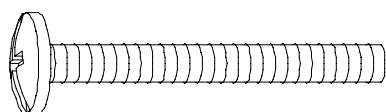
J 2 3/4" Phillips head bolts (12 pieces)
These bolts may vary slightly in length.



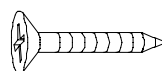
K Barrel nuts (16 pieces)



N Clip angles (2 pieces)

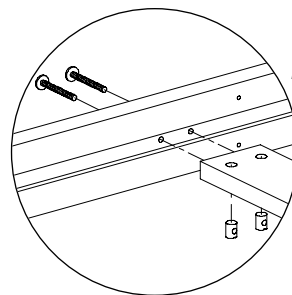
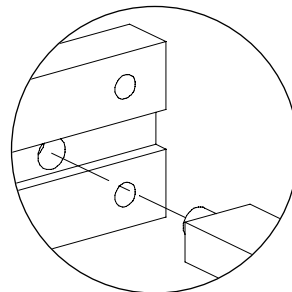
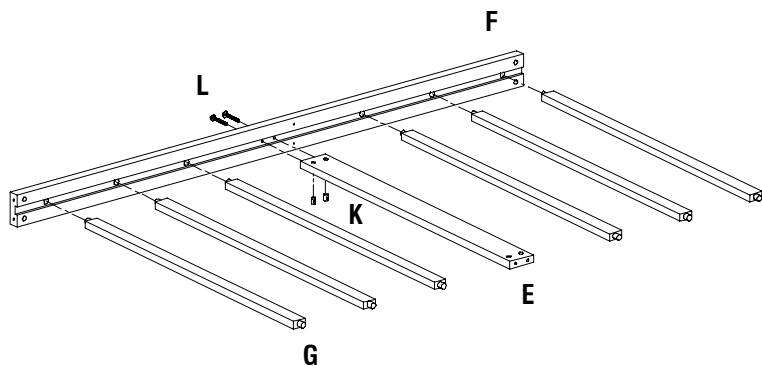


L 1 3/4" Phillips head bolts (4 pieces)



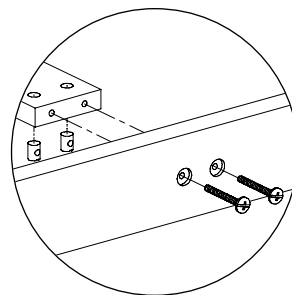
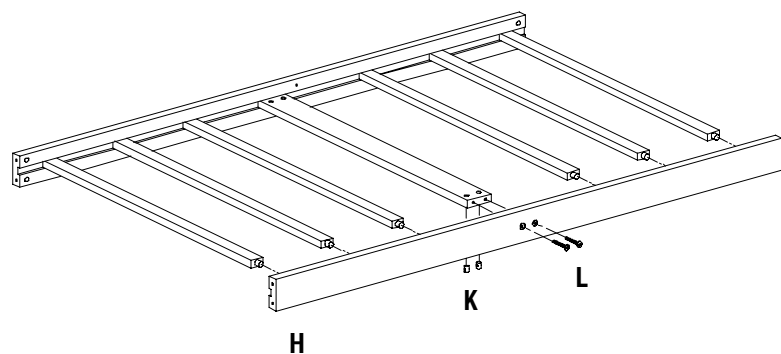
M Wood screws (6 pieces)

- 2** Fit the dowels of the slats **G** into the pre-drilled holes of the left side rail **F**. Attach the center slat **E** to the left side rail using 2 sets of 1 3/4" Phillips head bolts **L** and barrel nuts **K**.

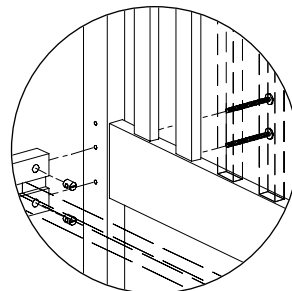
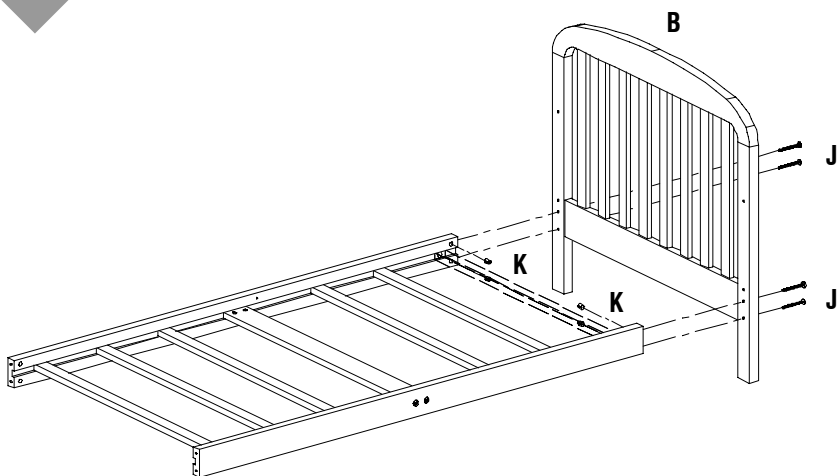


Always make sure the slotted head of the barrel nut is facing down or out.

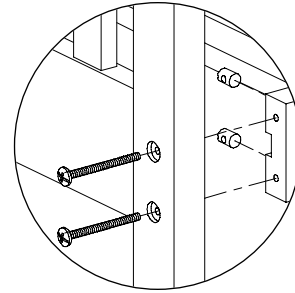
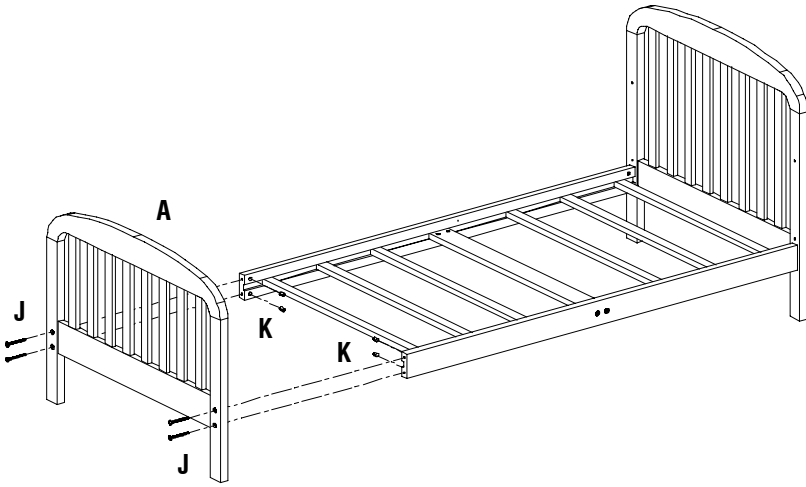
- 3** Attach the right side rail **H** in the same manner as step 2.



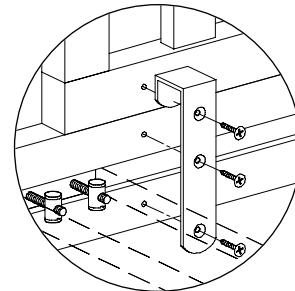
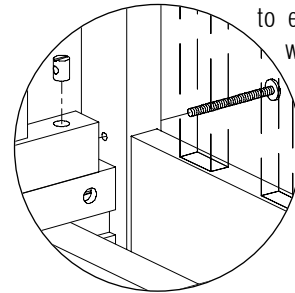
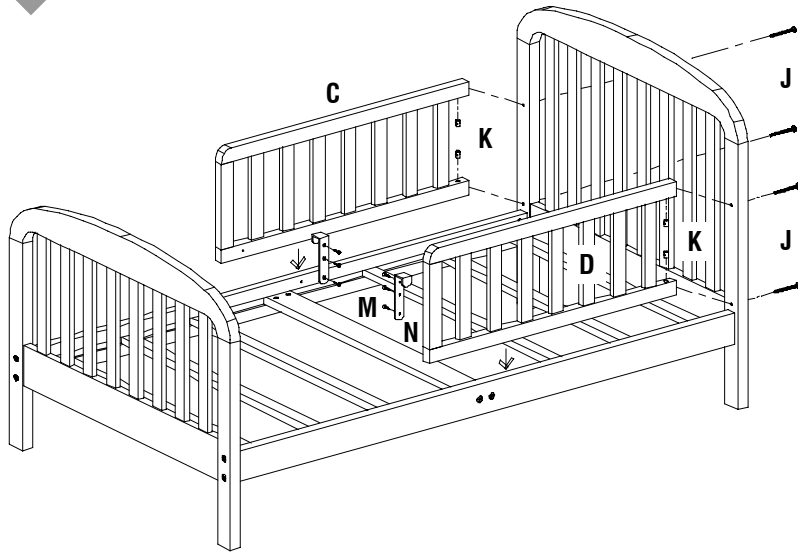
- 4** Connect the headboard **B** to the assembled bed frame using 4 sets of 2 3/8" Phillips head bolts **J** and barrel nuts **K**.



5 Connect the footboard **A** to the bed frame in the same manner as step 4.

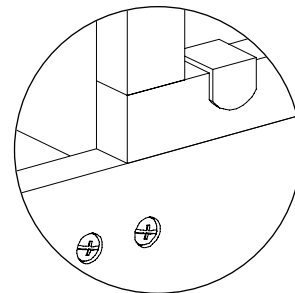


6 Connect the side panels **C** and **D** to the headboard using 4 sets of 2 3/8" Phillips head bolts **J** and barrel nuts **K**. Attach the clip angle **N** to each side rail using the wood screws **M**.



7 Make sure the clip angle fits over the lower rail of the side panel.

Now your toddler bed is ready.



KEEP THIS MANUAL IN A SAFE PLACE FOR FUTURE REFERENCE.

