



Newborn Baby



Toddler

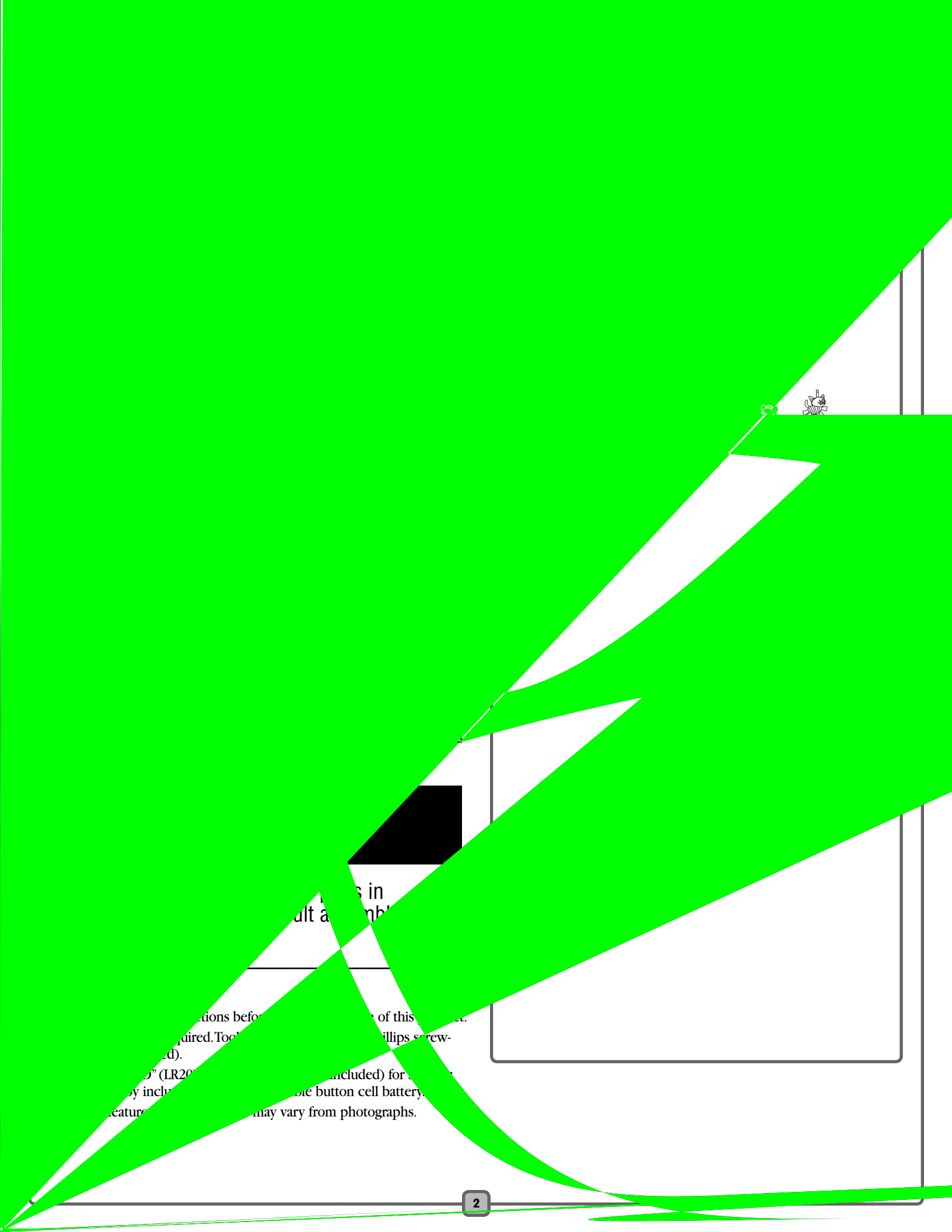


Older Baby



WARNING

**IMPORTANT! KEEP INSTRUCTIONS
FOR FUTURE REFERENCE.**

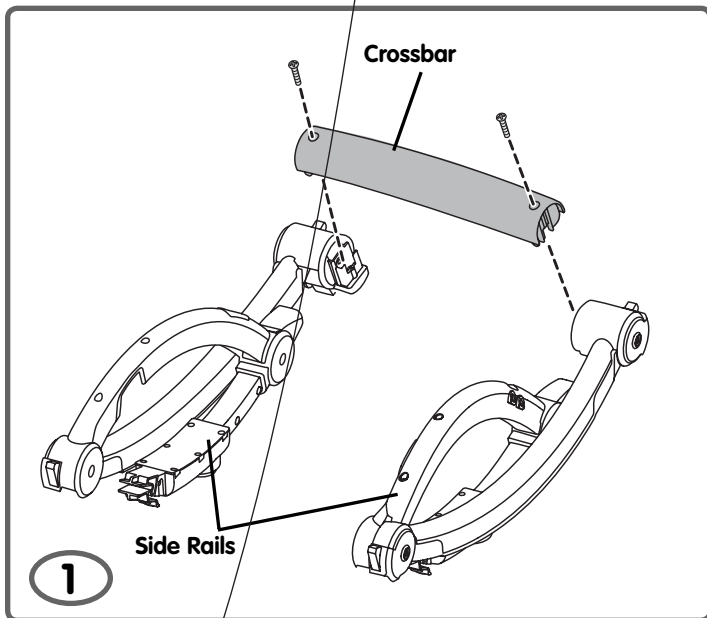


... in
... alt a ...

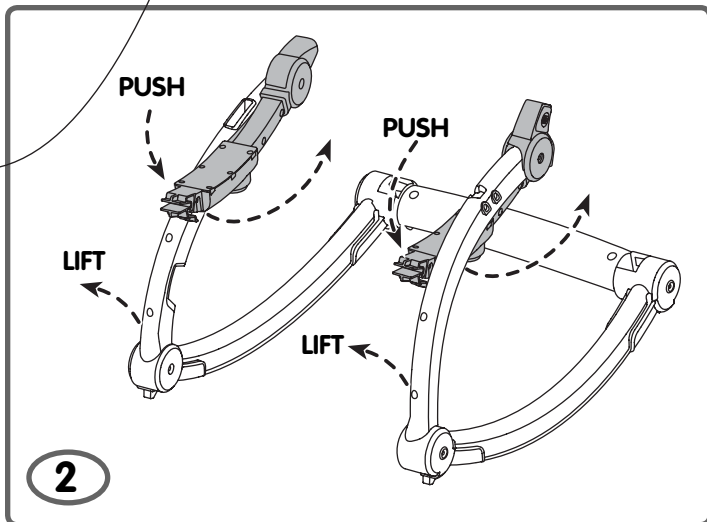
... instructions before ... of this ...
... required. Tool ... Phillips screw-
... (LR20 ... included) for ...
... by including ... button cell battery.
... may vary from photographs.

Assembly

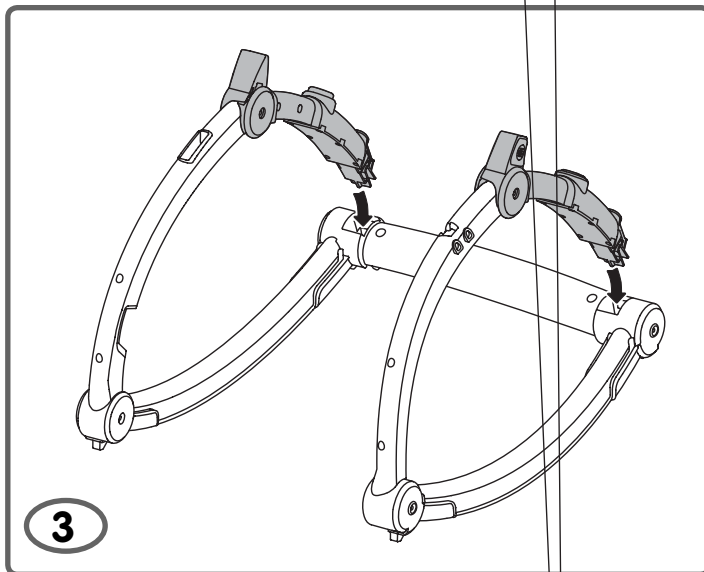
IMPORTANT! Before assembly and each use, inspect this product for damaged hardware, loose joints, missing parts or sharp edges. DO NOT use if any parts are missing or broken. Contact Mattel for replacement parts and instructions if needed. Never substitute parts.



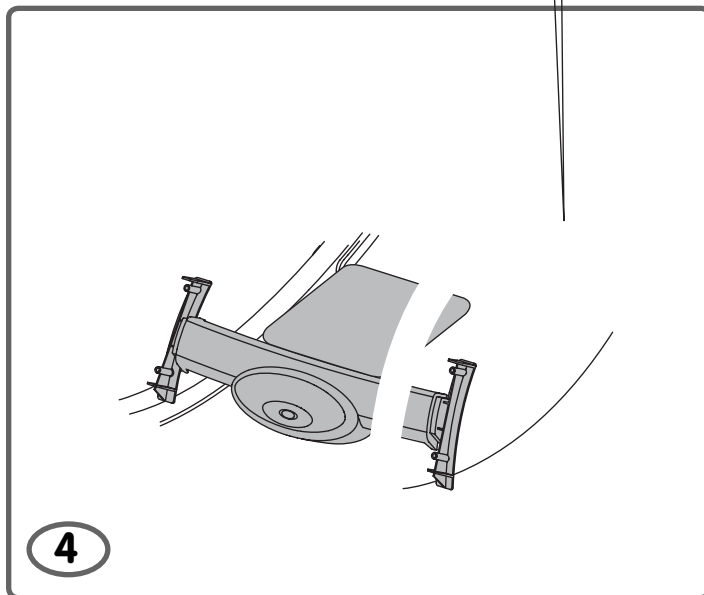
- Place the side rails on a flat surface.
- Fit the crossbar tabs into the small rectangular opening in each side rail. Push the crossbar down completely.
- Insert two #4 x 20 mm screws into the crossbar and tighten.



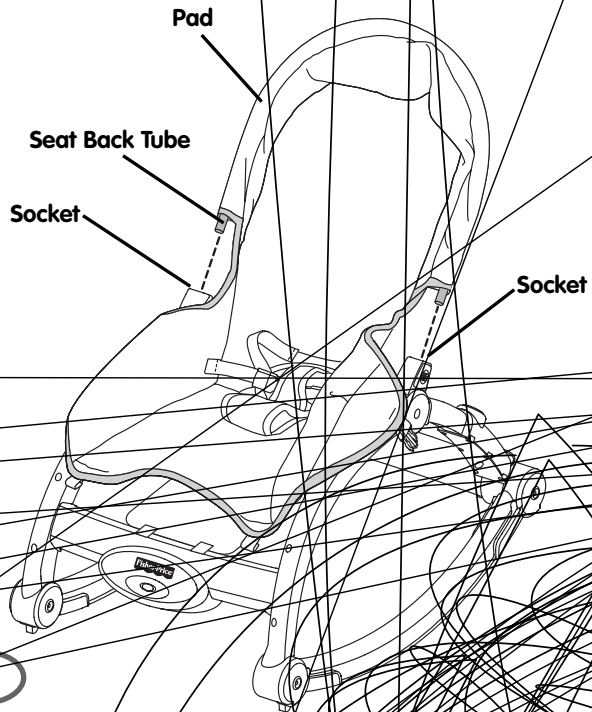
- First lift the front rails and then push out the back rails.



- Insert and "snap" the back rails into the sockets in the side rails. Pull up on the back rails to be sure they are secure.



Assembly



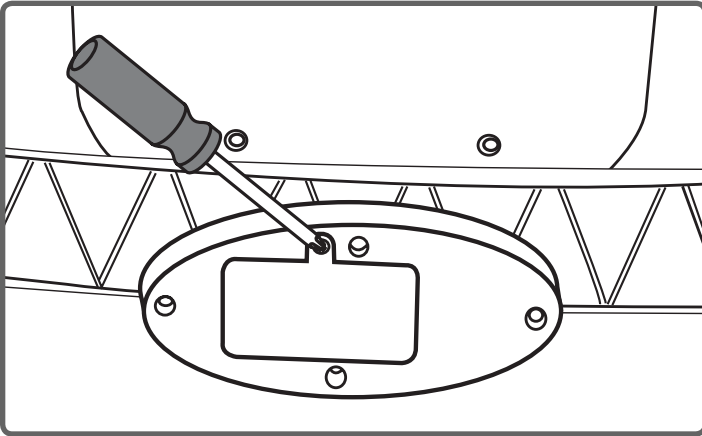
5

- Insert the ends of the seat back tube into the sockets in the front rail. Push down until you hear a “click” on each.
- Pull up on the seat back

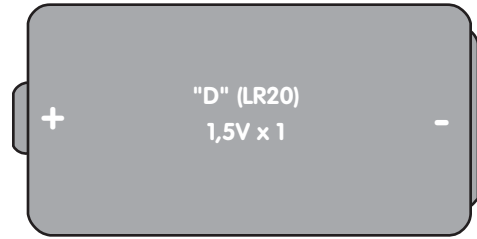
6

- Create the pocket in the bottom of the pad.
- Fit the hardboard (attached to the front bar) into the pocket in the pad.

Battery Installation



Hint: We recommend using an **alkaline** battery for longer battery life.



- Turn the product face down.
- Loosen the screw in the battery compartment door and remove the battery compartment door.
- Insert one "D" (LR20) **alkaline** battery into the battery compartment.
- Replace the battery compartment door and tighten the screw.

IMPORTANT! If vibrations become faint, or if there are no vibrations, remove the "D" (LR20) battery from the soothing unit and dispose of it properly. Replace the battery with a new "D" (LR20) **alkaline** battery.



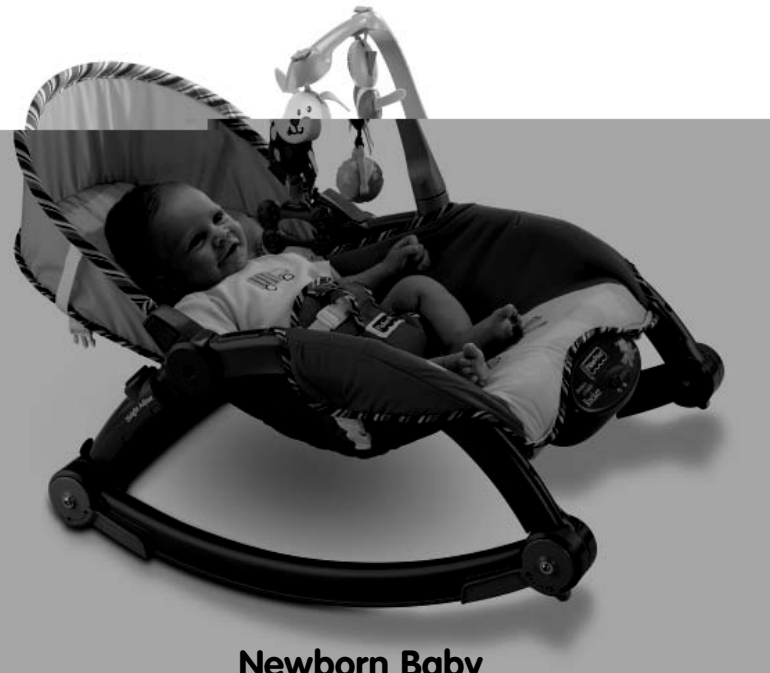
- Protect the environment by not disposing of this product with household waste (2002/96/EC). Check your local authority for recycling advice and facilities (Europe only).

Battery Safety Information

In exceptional circumstances, batteries may leak fluids that can cause a chemical burn injury or ruin your product. To avoid battery leakage:

- Do not mix old and new batteries or batteries of different types: alkaline, standard (carbon-zinc) or rechargeable (nickel-cadmium).
- Insert batteries as indicated inside the battery compartment.
- Remove batteries during long periods of non-use. Always remove exhausted batteries from the product. Dispose of batteries safely. Do not dispose of this product in a fire. The batteries inside may explode or leak.
- Never short-circuit the battery terminals.
- Use only batteries of the same or equivalent type, as recommended.
- Do not charge non-rechargeable batteries.
- Remove rechargeable batteries from the product before charging.
- If removable, rechargeable batteries are used, they are only to be charged under adult supervision.

Newborn-to-Toddler Portable Rocker



Newborn Baby



Toddler



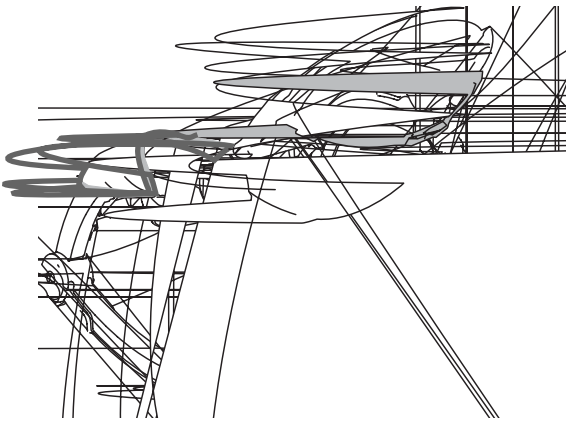
Older Baby



WARNING

To prevent serious injury or death:

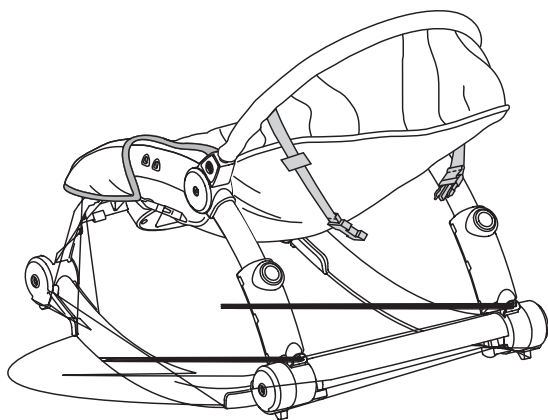
- Use the upright position only when child has developed enough upper body control to sit without leaning forward.
- Reclined position not recommended for children who cannot sit up by themselves (6 months approximately, until 9 Kg/20 lbs).



UPRIGHT

Upright

Fasten the straps on the back of the seat. Make sure you hear a “click”.



RECLINE

Recline

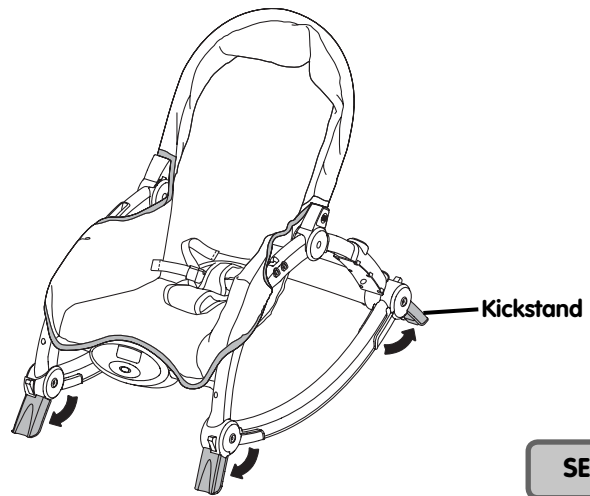
Unfasten the straps on the back of the seat.



WARNING

To prevent serious injury or death:

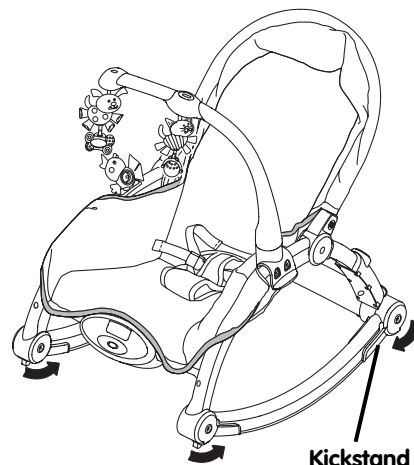
- **Fall Hazard** - It is dangerous to use this product on an elevated surface, since child's movement may cause the product to slide or tip over. Use only on a floor.
- **Suffocation Hazard** - Never use on a soft surface (bed, sofa, cushion) since the product can tip over and cause suffocation in soft surfaces.



SEAT

Seat

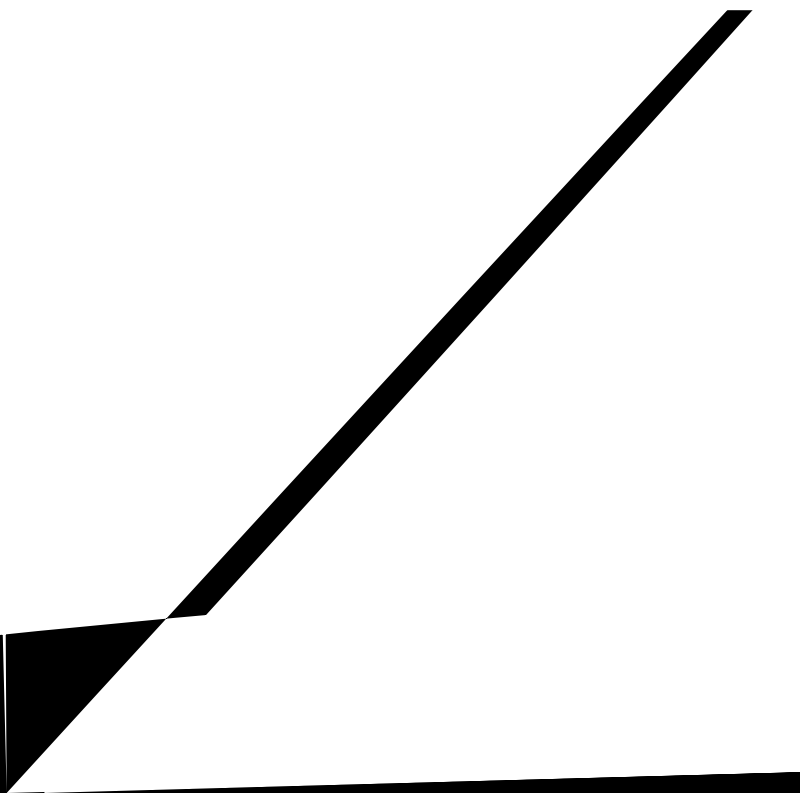
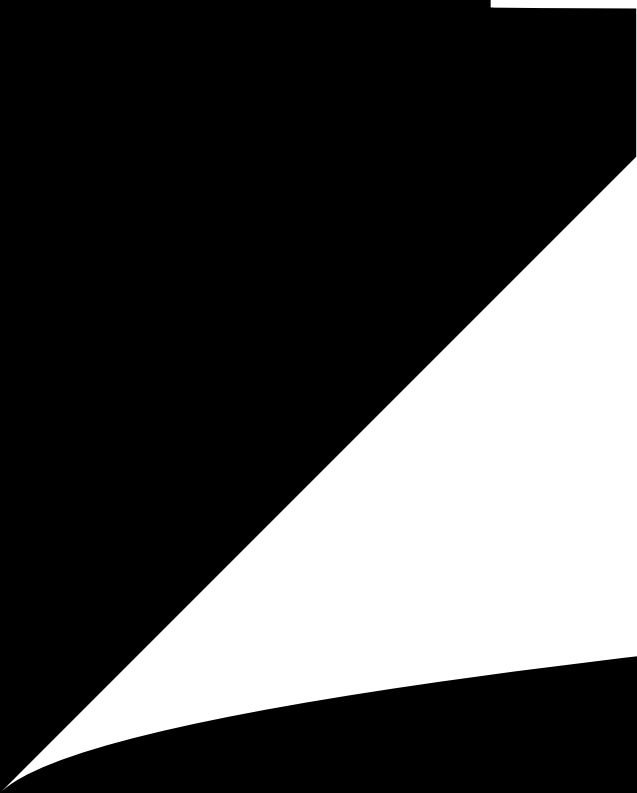
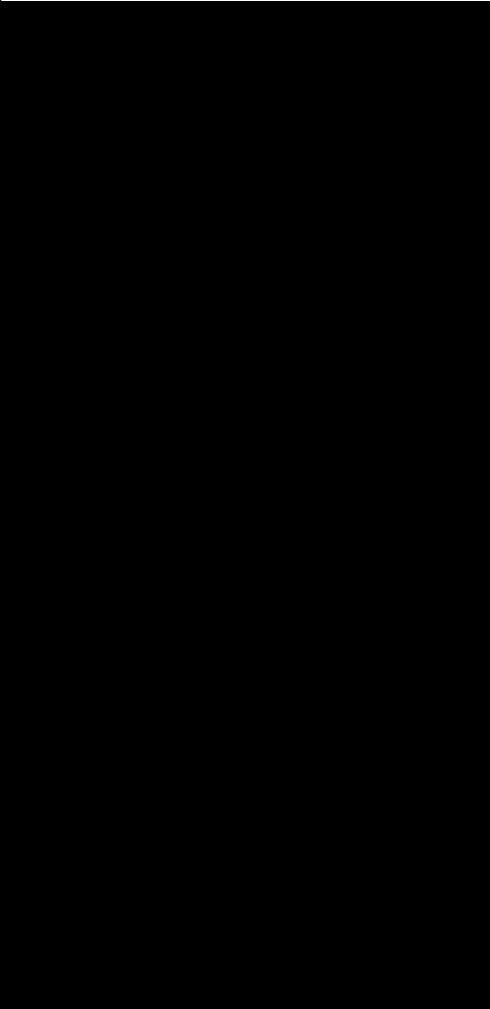
Rotate the kickstands out to convert to a seat.

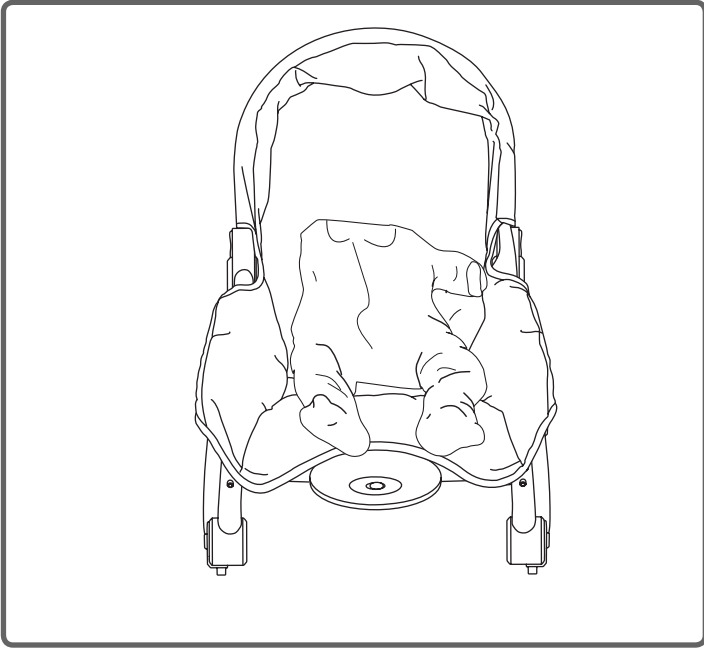


ROCKER

Rocker

Rotate the kickstands in to convert to a rocker.





Soothing Vibrations and Fun Music

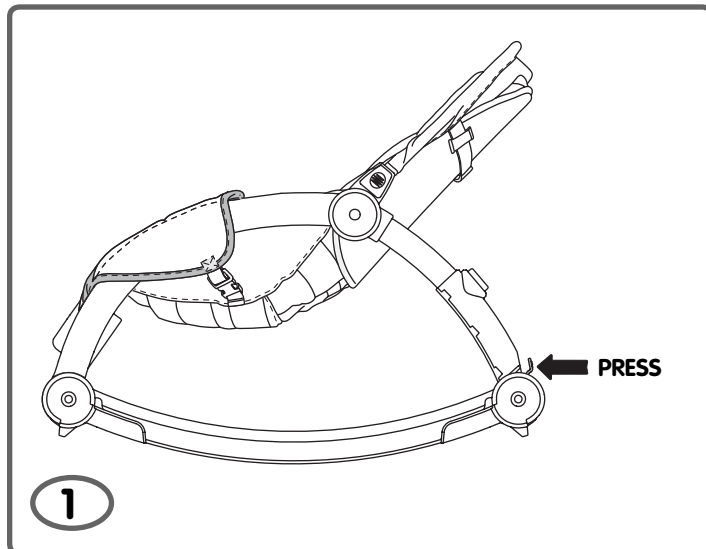
Fold for Portability and Storage



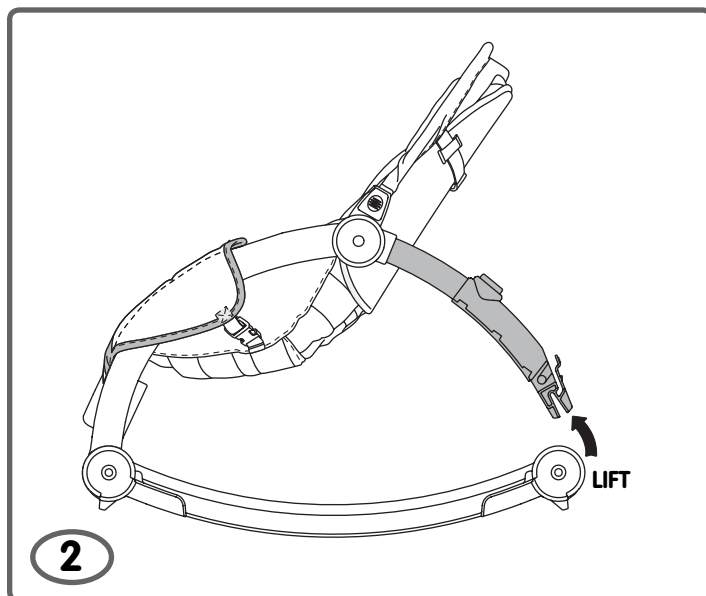
- Make sure your child is properly secured in the seat.
- Slide the power switch on the soothing unit to \approx for vibrations and \bullet to turn vibrations off.

Note: If vibrations from the soothing unit become faint, or if there are no vibrations, remove the battery from the soothing unit and dispose of it properly. Replace the battery with a new "D" (LR20) **alkaline** battery.

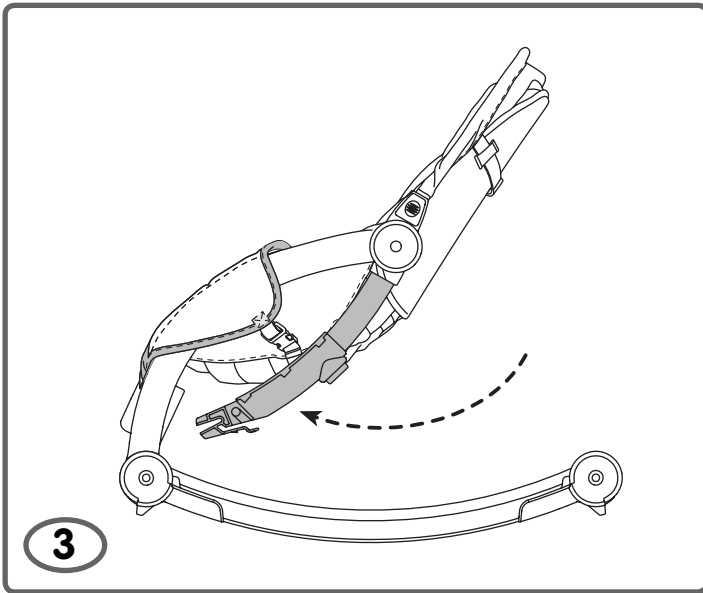
- Pull the ring on the toy for a delightful tune!



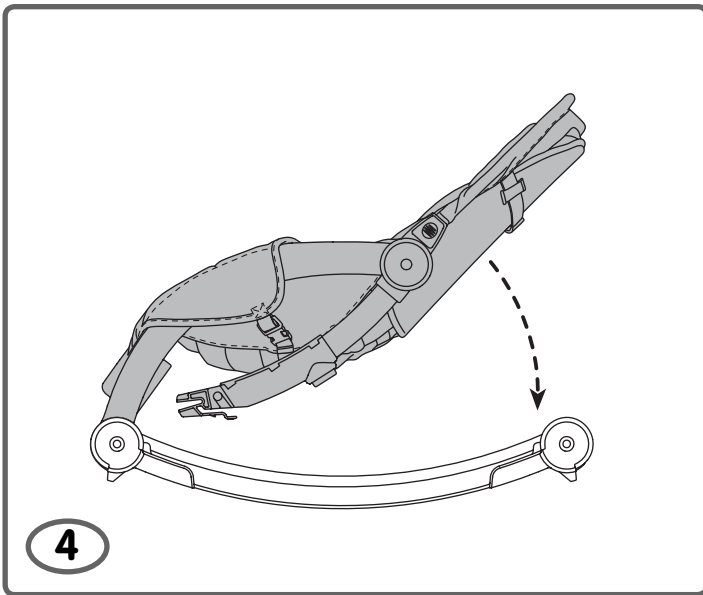
- Press both frame release buttons.



- Lift the back rails from the side rails.



- Push the back rails toward the front rails.

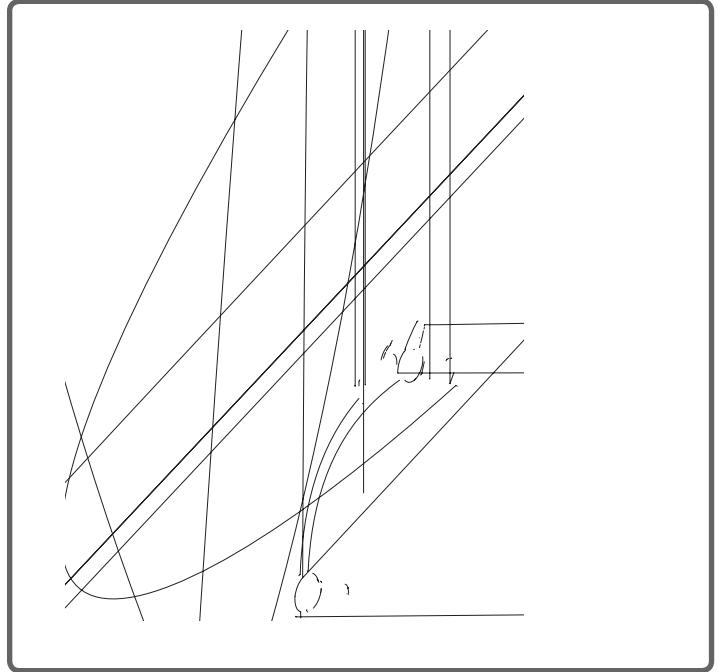


- Lower the seat back.

- The pad is machine washable. Wash it separately in cold water on the gentle cycle. Do not use bleach. Tumble dry separately on low heat and remove promptly. The frame, toy bar and toys may be wiped clean using a mild cleaning solution and a damp cloth. Do not use bleach. Do not use harsh or abrasive cleaners. Rinse clean with water to remove residue. Do not immerse the frame or the toys.

To remove the pad:

- Unfasten the pad flaps.
- Remove the pad clips from the front bar.
- Remove the hardboard from the pocket in the pad.



- Press the seat back tube release buttons on each side of the front rails. Pull to remove the seat back tube. Remove the seat back tube from the sleeve in the pad.

To replace the pad, first insert the seat back tube into the sleeve in the top of the pad. Then, follow the assembly instructions.