

Hurricane PMV

Owner's Manual



The Ultimate In Style & Performance[®]

Pride
Mobility Products Corp.

Exeter, PA

St. Catharines, ON

1-800-800-8586

www.pridemobility.com

SAFETY GUIDELINES

Please read and follow all instructions in this owner's manual before attempting to operate your Hurricane PMV for the first time. If there is anything in this manual you do not understand, or if you require additional assistance for setup, contact your authorized Pride provider.

Using your Pride product safely depends upon your diligence in following the warnings, cautions, and instructions in this owner's manual. Using your Pride product safely also depends upon your own good judgement and/or common sense, as well as that of your provider, caregiver, and/or healthcare professional. Pride is not responsible for injuries and/or damage resulting from any person's failure to follow the warnings, cautions, and instructions in this owner's manual. Pride is not responsible for injuries and/or damage resulting from any person's failure to exercise good judgement and/or common sense.

The symbols below are used throughout this owner's manual to identify warnings and cautions. It is very important for you to read and understand them completely.



WARNING! Failure to heed the warnings in this owner's manual may result in personal injury.



CAUTION! Failure to heed the cautions in this owner's manual may result in damage to your Hurricane PMV.

CONTENTS

I. INTRODUCTION	4
II. SAFETY	6
III. EMI/RFI	15
IV. SPECIFICATIONS	17
V. YOUR HURRICANE PMV	19
VI. BATTERIES AND CHARGING	25
VII. OPERATION	29
VIII. COMFORT ADJUSTMENTS	31
IX. DISASSEMBLY AND ASSEMBLY	34
X. OPTIONAL ACCESSORIES	37
XI. BASIC TROUBLESHOOTING	38
XII. CARE AND MAINTENANCE	40
XIII. WARRANTY	42

I. INTRODUCTION

Welcome to Pride Mobility Products Corporation (Pride). Congratulations on the purchase of your new Pride Personal Mobility Vehicle (PMV). Your Hurricane PMV design combines the most advanced state-of-the-art components with modern, attractive styling. We are certain that the design features and trouble-free operation will add convenience to your daily living and ensure complete satisfaction.

At Pride, your safety is important to us. **Please read and follow all of the instructions in this manual before you attempt to operate your Hurricane PMV for the first time.** These instructions were produced for your benefit. Your understanding of these instructions is essential for the safe operation of your new Pride Hurricane PMV.

The PMV is not an FDA approved medical device. As such, it is intended to be used as a luxury personal transportation device. It is recommended that you consult your physician before using this or any personal mobility/transportation device. The manufacturer and distributor of this PMV is also not liable for any property damage or personal injury arising out of the failure of any person and/or user to follow the instructions and recommendations set forth in this manual or any other instructions or recommendations contained in other PMV related literature issued by Pride or contained on the Pride PMV itself. The failure to follow these instructions will also void your warranty.

This owner's manual is compiled from the latest specifications and product information available at the time of publication. We reserve the right to make changes as they become necessary. Any changes to our products may cause slight variations between the illustrations and explanations in this manual and the product you had purchased.

If you experience any problems with your Hurricane PMV that you are unable to solve, or if you do not feel capable of safely following any of the instructions and/or recommendations as contained in this manual, please contact your authorized Pride Provider for assistance.

Once you understand how to operate and take care of your Hurricane PMV, we are certain that it will give you years of trouble-free service and enjoyment.

Information Exchange

We want to hear your questions, comments, and suggestions about this manual. We would also like to hear about the safety and reliability of your new Pride Hurricane PMV and the service you received from your authorized Pride Provider.

Please notify us of any change of address so we can keep you apprised of important information about safety, new products, and new options that can increase your ability to use and enjoy your Pride Hurricane PMV. Please feel free to write us at the address below:

Pride Mobility Products Corporation
Attn: Technical Service Department
182 Susquehanna Avenue
Exeter, PA 18643-2694

customercare@pridemobility.com
1-800-424-8205

I. INTRODUCTION

Pride Owners Club

As an owner of a Pride product, you are invited to register your product's warranty and enroll in the Pride Owners Club. You may do so by filling out and returning your enclosed registration card or by visiting Pride's web site at www.pridemobility.com. As a registered member, each time you visit our site, you will have access to the most interactive and honest educational venue available today for people with mobility needs, their families, and friends.

From our home page, click on the button that reads "Owners Club" to enter a page dedicated to current and potential Pride product owners. You will gain access to interviews, stories, recreation ideas, daily living tips, product and funding information, and interactive message boards. On these message boards you are invited to speak with other Pride customers as well as Pride representatives who are available to assist you with any questions or concerns you may have.

My Authorized Pride Provider Is:

Name: _____

Address: _____

Phone Number: _____

Quick Reference Information:

Model: _____

Serial Number: _____

Purchase Date: _____

NOTE: If you ever lose or misplace your product registration card or this owner's manual, contact us and we will be glad to send you a new one immediately.

II. SAFETY

GENERAL



WARNING! Do not operate your new Hurricane PMV for the first time without completely reading and understanding this owner's manual.

Your Hurricane PMV is a state-of-the-art life-enhancement device designed to increase mobility. Pride provides an extensive variety of products to best fit the individual needs of the Hurricane PMV user. Please be aware that the final selection and purchasing decision regarding the type of Hurricane PMV to be used is the responsibility of the Hurricane PMV user who is capable of making such a decision and his/her healthcare professional (i.e., medical doctor, physical therapist, etc.).

The contents of this manual are based on the expectation that a mobility device expert has properly fitted the Hurricane PMV to the user and has assisted the prescribing healthcare professional and/or the authorized Pride Provider in the instruction process for the use of the product.

There are certain situations, including some medical conditions, where the Hurricane PMV user will need to practice operating the Hurricane PMV in the presence of a trained attendant. A trained attendant can be defined as a family member or care professional specially trained in assisting a Hurricane PMV user in various daily living activities.

As you begin using your Hurricane PMV during daily activities, you will probably encounter situations in which you will need some practice. Simply take your time and you will soon be in full and confident control as you maneuver through doorways, on and off elevators, up and down ramps, and over moderate terrain.

Below are some precautions, tips, and other safety considerations that will help the user become accustomed to operating the Hurricane PMV safely.

MODIFICATIONS

Pride has designed and engineered your Hurricane PMV to provide maximum mobility and utility. A wide range of accessories is available from your Pride Provider to further customize your Hurricane PMV to better suit your needs and/or preferences. However, under no circumstances should you modify, add, remove, or disable any feature, part, or function of your Hurricane PMV.



WARNING! Do not modify your Hurricane PMV in any way not authorized by Pride. Unauthorized modifications may result in personal injury and/or damage to your Hurricane PMV.

REMOVABLE PARTS



WARNING! Do not attempt to lift or move a Hurricane PMV by any of its removable parts. Personal injury and damage to the Hurricane PMV may result.

ELECTROMAGNETIC FIELDS

Your PMV's road performance features may be influenced by electromagnetic fields caused by cellular telephones or other radiating devices, such as hand-held radios, radio and television stations, wireless computer links, microwave sources, and paging transmitters. Learn more about this topic in III. "EMI/RFI."

II. SAFETY

PRE-RIDE SAFETY CHECK

Get to know the feel of your Hurricane PMV and its capabilities. Pride recommends that you perform a safety check before each use to make sure your Hurricane PMV operates smoothly and safely. For details on how to perform these necessary inspections, see XII. "Care and Maintenance."

Perform the following inspections prior to using your Hurricane PMV:

- Check for proper tire inflation. Maintain **30-35 psi** in each tire (if equipped with pneumatic tires).
- Check all electrical connections. Make sure they are tight and not corroded.
- Check all controller connections to the electronics module. Make sure they are secured properly.
- Check the brakes.
- Check battery charge.

TIRE INFLATION

If your PMV is equipped with pneumatic tires, you should check or have the air pressure checked at least once a week. Proper inflation pressures will prolong the life of your tires and help ensure the smooth operation of your PMV.



WARNING! It is critically important that 30-35 psi tire pressure be maintained in pneumatic tires at all times. Do not underinflate or overinflate your tires. Low pressure may result in loss of control, and overinflated tires may burst. Failure to maintain 30-35 psi tire pressure in pneumatic tires at all times may result in tire and/or wheel failure, causing serious personal injury and/or damage to your PMV.

WARNING! Inflate your PMV drive tires from a regulated air source with an available pressure gauge. Inflating your tires from an unregulated air source could overinflate them, resulting in a burst tire and/or personal injury.

If you discover a problem, contact your authorized Pride Provider for assistance.

WEIGHT LIMITATIONS

Your PMV is rated for a maximum weight capacity. Refer to the specifications table for information.



WARNING! Exceeding the weight limit voids your warranty and may result in personal injury and damage to your Hurricane PMV. Pride will not be held responsible for injuries and/or property damage resulting from failure to observe weight limitations.

WARNING! Do not carry passengers on your PMV. Carrying passengers may result in personal injury and/or property damage.

INCLINE INFORMATION

More and more buildings have ramps with specified degrees of inclination, designed for easy and safe access. Some ramps may have turning switchbacks (180-degree turns) that require you to have good cornering skills on your Hurricane PMV.

- Proceed with extreme caution as you approach the downgrade of a ramp or other incline.
- Take wide swings with your Hurricane PMV's front wheels around any tight corners. If you do that, the Hurricane PMV's rear wheels will follow a wide arc, not cut the corner short, and not bump into or get hung up on any railing corners.
- When driving down a ramp, keep the Hurricane PMV's speed adjustment set to the slowest speed setting to ensure a safely controlled descent. See V. "Your Hurricane PMV."
- Avoid sudden stops and starts.

II. SAFETY

When climbing an incline, try to keep your Hurricane PMV moving. If you must stop, start up again slowly, and then accelerate cautiously. When driving down an incline, do so by setting the speed adjustment button to the slowest setting and driving in the forward direction only. If your Hurricane PMV starts to move down the incline faster than you anticipated or desired, allow it to come to a complete stop by releasing the throttle control lever. Then push the throttle control lever forward slightly to ensure a safely controlled descent.

WARNING! When climbing an incline, do not zigzag or drive at an angle up the face of the incline. Drive your PMV straight up the incline. This greatly reduces the possibility of a tip or a fall. Always exercise extreme caution when negotiating an incline.

WARNING! Do not drive your PMV across the side of a hill or diagonally up or down a hill; do not stop, if possible, while driving up or down an incline.



WARNING! You should not travel up or down a potentially hazardous incline (i.e., areas covered with snow, ice, cut grass, or wet leaves).

WARNING! When on any sort of an incline or decline, never place the PMV in freewheel mode while seated on it or standing next to it.

WARNING! Even though your PMV is capable of climbing slopes greater than those illustrated in figure 1, do not, under any circumstances, exceed the incline guidelines or any other specifications presented in this manual. Doing so could cause instability in your PMV, resulting in personal injury and/or damage to your PMV.

Other inclines may be natural or, if man-made, not designed specifically for PMVs. Figure 1 illustrates your Hurricane PMV's stability and its ability to climb grades under various weight loads and under controlled testing conditions.

These tests were conducted with the Hurricane's seat in the highest position and adjusted backward on the seat base to its farthest rearward position. Use this information as a guideline. Your Hurricane's ability to travel up inclines is affected by your weight, your Hurricane PMV's speed, your angle of approach to the incline, and your Hurricane PMV setup.

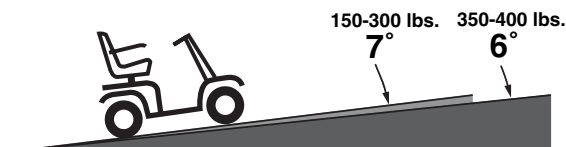


Figure 1. Maximum Recommended Incline Angles



WARNING! Any attempt to climb or descend a slope steeper than what is shown in figure 1 may put your PMV in an unstable position and cause it to tip, resulting in personal injury.



WARNING! Never carry an oxygen tank weighing more than 15 lbs. Never fill the rear basket with contents exceeding 15 lbs.

II. SAFETY

When you approach an incline, it is best to lean forward. See figures 2 and 2A. This shifts the center of gravity of you and your Hurricane PMV toward the front of the Hurricane PMV for improved stability.



Figure 2. Normal Driving Position

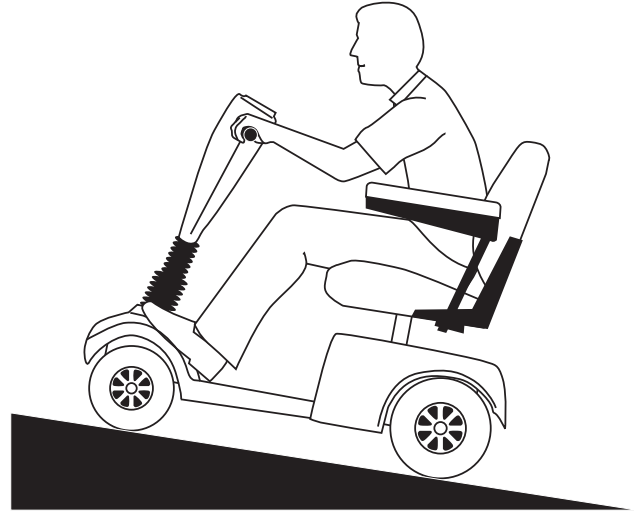


Figure 2A. Increased Stability Driving Position

CORNERING INFORMATION

Excessively high cornering speeds can create the possibility of tipping. Factors which affect the possibility of tipping include, but are not limited to, cornering speed, steering angle (how sharply you are turning), uneven road surfaces, inclined road surfaces, riding from an area of low traction to an area of high traction (such as passing from a grassy area to a paved area – especially at high speed while turning), and abrupt directional changes. High cornering speeds are not recommended. If you feel that you may tip over in a corner, reduce your speed and steering angle (i.e., lessen the sharpness of the turn) to prevent your Hurricane PMV from tipping.



WARNING! When cornering sharply, reduce your speed. When using your Hurricane PMV at higher speeds, do not corner sharply. This greatly reduces the possibility of a tip or fall. To avoid personal injury or property damage, always exercise common sense when cornering.

BRAKING INFORMATION

Your Hurricane PMV is equipped with two powerful brake systems:

1. Regenerative: Uses electricity to rapidly slow the vehicle when the throttle control lever returns to the center/stop position; and
2. Disc Park Brake: Activates mechanically after regenerative braking slows the vehicle to near stop, or when power is removed from the system for any reason.

II. SAFETY

OUTDOOR DRIVING SURFACES

Your Hurricane PMV is designed to provide optimum stability under normal driving conditions—dry, level surfaces composed of concrete, blacktop, or asphalt. However, Pride recognizes that there will be times when you will encounter other surface types. For this reason, your Hurricane PMV is designed to perform admirably on packed soil, grass, and gravel. Feel free to use your Hurricane PMV safely on lawns and in park areas.

- Reduce your Hurricane PMV's speed when driving on uneven terrain and/or soft surfaces.
- Avoid tall grass that can become tangled in the running gear.
- Avoid loosely packed gravel and sand.
- If you feel unsure about a driving surface, avoid that surface.

STATIONARY OBSTACLES (STEPS, CURBS, ETC.)

WARNING! Do not drive near raised surfaces, unprotected ledges, and/or drop-offs (curbs, porches, stairs, etc.).

WARNING! Do not attempt to have your PMV climb or descend an obstacle that is inordinately high. Serious personal injury and/or damage may result.



WARNING! Do not attempt to have your PMV proceed backward down any step, curb, or other obstacle. This may cause the PMV to tip and cause personal injury.

WARNING! Be sure your PMV is traveling perpendicular to any curb you may be required to ascend or descend. See figures 3 and 3A.

WARNING! Do not attempt to negotiate a curb that has a height greater than 2 in.

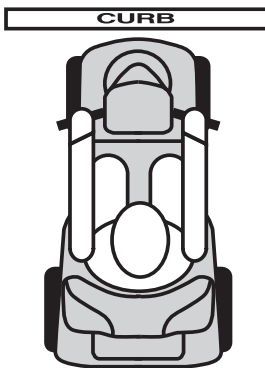


Figure 3. Correct Curb Approach

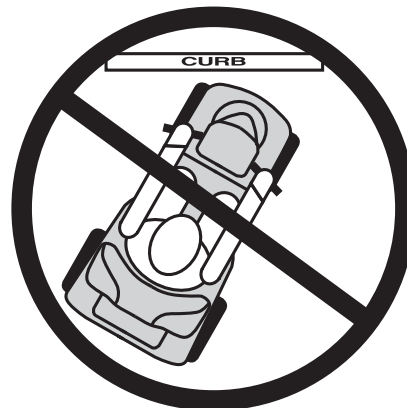


Figure 3A. Incorrect Curb Approach

PUBLIC ROADS AND PARKING LOTS



WARNING! You should not operate your Hurricane PMV on public streets and roadways. Be aware that it may be difficult for traffic to see you when you are seated on your Hurricane PMV. Obey all local pedestrian traffic rules. Wait until your path is clear of traffic, and then proceed with extreme caution.

NOTE: Safety accessories like fluorescent flags are available to order from your authorized Pride Provider.

II. SAFETY

INCLEMENT WEATHER PRECAUTIONS



WARNING! Pride recommends that you do not operate your Hurricane PMV in icy or slippery conditions or on salted surfaces (i.e., walks or roads). Such use may result in an accident, personal injury, or adversely affect the performance and safety of your Hurricane PMV.

WARNING! Pride recommends that you do not expose your Hurricane PMV to any type of moisture at any time (rain, snow, mist, or wash). Such exposure can damage your Hurricane PMV. Never operate your Hurricane PMV if it has been exposed to moisture until it has dried thoroughly.

FREEWHEEL MODE

Your Hurricane PMV is equipped with a manual freewheel lever that when pulled up allows the Hurricane PMV to be pushed. For more information about how to place your Hurricane PMV into and out of freewheel mode, see V. “Your Hurricane PMV.”



WARNING! When your PMV is in freewheel mode, the braking system is disengaged.

- **Disengage the drive motors only on a level surface.**
- **Ensure the key is removed from the key switch.**
- **Stand behind the PMV to engage or disengage freewheel mode. Never sit on a PMV to do this.**
- **After you have finished pushing your PMV, always return it to the drive mode to lock the brakes.**

Failure to heed the above could result in personal injury and/or damage to your PMV.

STAIRS AND ESCALATORS

Hurricane PMVs are not designed to travel up or down stairs or escalators. Always use an elevator.



WARNING! Do not use your PMV to negotiate steps or escalators. You may cause injury to yourself and/or to others and damage your PMV.

DOORS

- Determine if the door opens toward or away from you.
- Use your hand to turn the knob or push the handle or push-bar.
- Drive your Hurricane PMV gently and slowly forward to push the door open. Or drive your Hurricane PMV gently and slowly backwards to pull the door open.

ELEVATORS

Modern elevators have a door edge safety mechanism that, when pushed, reopens the elevator door(s).

- If you are in the doorway of an elevator when the door(s) begin to close, push on the rubber door edge or allow the rubber door edge to contact the Hurricane PMV and the door will reopen.
- Use care that pocketbooks, packages, or Hurricane PMV accessories do not become caught in elevator doors.

LIFT/ELEVATION PRODUCTS

If you will be traveling with your Hurricane PMV, you may find it necessary to use a lift/elevation product to aid in transportation. Pride recommends that you closely review the instructions, specifications, and safety information set forth by the manufacturer of the lift/elevation product before using that product.

II. SAFETY

BATTERIES

In addition to following the warnings below, be sure to comply with all other battery handling information.

WARNING! PMV batteries are heavy (refer to specifications table). Lifting weight beyond your capacity could result in personal injury. If necessary, get someone physically able to lift the PMV batteries for you.



WARNING! Battery posts, terminals, and related accessories contain lead and lead compounds. Wash hands after handling.

WARNING! Always protect the batteries from freezing and never charge a frozen battery. Charging a frozen battery may result in personal injury and/or damage to the battery.

WARNING! RED (+) cables must be connected to positive (+) battery terminals/posts. BLACK (-) cables must be connected to negative (-) battery terminals/posts. Failure to connect your battery harnesses in the proper manner may result in personal injury and/or damage to your power chair. REPLACE cables immediately if damaged.

BATTERY DISPOSAL AND RECYCLING

If you encounter a damaged or cracked battery, immediately enclose it in a plastic bag and call your authorized Pride Provider for instructions on disposal. Your authorized Pride Provider will also have the necessary information on battery recycling, which is our recommended course of action.

MOTOR VEHICLE TRANSPORT

Currently, there are no standards approved for tie-down systems in a moving vehicle of any type to transport a person while seated in a Hurricane PMV.

Although your Hurricane PMV may be equipped with a positioning belt, this belt is not designed to provide proper restraint during motor vehicle transport. Anyone traveling in a motor vehicle should be properly secured in the motor vehicle seat with safety belts fastened securely.



WARNING! Do not sit on your Hurricane PMV while it is in a moving vehicle. Personal injury and/or property damage may result.

WARNING! Always be sure your Hurricane PMV and its batteries are properly secured when it is being transported. Failure to do so may result in personal injury and/or damage to your Hurricane PMV.

PREVENTING UNINTENDED MOVEMENT



WARNING! If you anticipate being seated in a stationary position for an extended period of time, turn off the power. This will prevent unexpected motion from inadvertent throttle control lever contact. Failure to do so may result in personal injury.

II. SAFETY

GETTING ONTO AND OFF OF YOUR HURRICANE PMV

Getting onto and off of your Hurricane PMV requires a good sense of balance. Please observe the following safety tips when getting onto and off of your Hurricane PMV:

- Power down your Hurricane PMV.
- Ensure that your Hurricane PMV is not in freewheel mode. See V. “Your Hurricane PMV.”
- Make certain that the seat is locked into place and the key is removed from the key switch.
- The seat armrests can be flipped up to make getting onto and off the Hurricane PMV easier.

WARNING! Position yourself as far back as possible in the Hurricane PMV seat to prevent the Hurricane PMV from tipping and causing injury.



WARNING! Avoid using your armrests for weight bearing purposes. Such use may cause the Hurricane PMV to tip and cause personal injury.

WARNING! Avoid putting all of your weight on the floorboard. Such use may cause the Hurricane PMV to tip and cause personal injury.

POSITIONING BELTS

Your authorized Pride Provider, therapist(s), and other healthcare professionals are responsible for determining your requirement for a positioning belt in order to operate your Hurricane PMV safely.



WARNING! If you require a positioning belt to safely operate your Hurricane PMV, make sure it is fastened securely. Serious personal injury may result if you fall from the Hurricane PMV.

REACHING AND BENDING

Avoid reaching or bending while driving your Hurricane PMV. When reaching, bending, or leaning while seated on your Hurricane PMV, it is important to maintain a stable center of gravity and keep the Hurricane PMV from tipping. Pride recommends that the Hurricane PMV user determine his/her personal limitations and practice bending and reaching in the presence of a qualified healthcare professional.



WARNING! Do not bend, lean, or reach for objects if you have to pick them up from the floor by reaching down between your knees. Movements such as these may change your center of gravity and the weight distribution of the Hurricane PMV and cause your Hurricane PMV to tip, possibly resulting in personal injury. Keep your hands away from the tires when driving.

II. SAFETY

PRESCRIPTION DRUGS/PHYSICAL LIMITATIONS

The Hurricane PMV user must exercise care and common sense when operating his/her Hurricane PMV. This includes awareness of safety issues when taking prescribed or over-the-counter drugs or when the user has specific physical limitations.



WARNING! Consult your physician if you are taking prescribed or over-the-counter medication or if you have certain physical limitations. Some medications and limitations may impair your ability to operate your Hurricane PMV in a safe manner.

ALCOHOL

The Hurricane PMV user must exercise care and common sense when operating his/her Hurricane PMV. This includes awareness of safety issues while under the influence of alcohol.



WARNING! Do not operate your Hurricane PMV while you are under the influence of alcohol, as this may impair your ability to drive safely.

III. EMI/RFI

EMI/RFI WARNINGS

Laboratory tests performed by the Food and Drug Administration (FDA) have shown that radio waves can cause unintended motion of electric mobility vehicles. Radio waves are a form of electromagnetic energy (EM). When electromagnetic energy adversely affects the operation of an electrical device, that adverse effect is called *Electromagnetic Interference (EMI) or Radio Frequency Interference (RFI)*.

EMI/RFI FREQUENTLY ASKED QUESTIONS (FAQS)

The following FAQs summarize what you should know about EMI/RFI. Use this information to minimize the risk that EMI/RFI will adversely affect your mobility vehicle.

Where do radio waves come from?

Radio waves are emitted from the antennas of cellular phones, mobile two-way radios (such as walkie-talkies and CBs), radio stations, TV stations, amateur radio (HAM) transmitters, wireless computer links, microwave sources, and paging transmitters. Radio waves are a form of electromagnetic energy (EM). EM is more intense closer to transmitting antennas, which are sources of emission. The greater the transmission strength, the greater the concern to electric mobility vehicle users.

If EMI/RFI affects my PMV, what kind of motion should I expect?

This is difficult to predict. The answer would depend on a number of factors:

- The strength of the radio waves.
- The construction of your particular mobility vehicle.
- The location of your mobility vehicle (whether it is on the level ground or on an incline).
- Whether or not your mobility vehicle is in motion.

The motion of any electric mobility vehicle affected by EMI/RFI can be erratic. The mobility vehicle may come to a sudden stop or move in an uncontrolled manner. Also, it is possible for EMI/RFI to release the brakes of an electric mobility vehicle. Some intense EMI/RFI can even damage the control system components of an electric mobility vehicle.

Is there any way to know for certain whether or not radio waves are the cause of any unintended mobility vehicle motion?

Unfortunately, EMI/RFI may be difficult to recognize, because the signals from radio sources are invisible and may be intermittent. However, the FDA recommends that you report all incidents of unintended motion or unintended brake release of your electric mobility vehicle to its manufacturer and, if possible, determine whether or not there was a radio wave source nearby at the time of the incident.

One precaution you can take against unintended motion of your mobility vehicle is to make certain that you or someone else is not the cause of the unintended motion.

- Turn off your mobility vehicle by removing the key from the key switch when you are mounting or dismounting your mobility vehicle.
- Never leave the key in the key switch of an unattended mobility vehicle.
- By following these steps, you greatly reduce the risk of you or anyone else inadvertently bumping the throttle control levers and causing the mobility vehicle to move unintentionally.

Has anyone been injured by the erratic, unintended motion of an electric mobility vehicle?

The FDA has reports of injuries that resulted from uncontrolled motion of electric mobility vehicle's, but it is not clear just how many of those injuries were actually caused by EMI/RFI.

III. EMI/RFI

Are all electric mobility vehicle's susceptible to EMI/RFI?

Each make and model of electric mobility vehicle differs in its ability to resist EMI/RFI. Every mobility vehicle has a particular level of resistance to EMI/RFI. This resistance is measured in volts per meter (V/m). A higher resistance level offers greater protection against EMI/RFI. In other words, an electric mobility vehicle with a high resistance level is less likely to be affected by a strong radio source than is an electric mobility vehicle with a low resistance level.

What is the FDA doing about the problem?

The FDA has written to electric mobility vehicle manufacturers and requested that those manufacturers test their new mobility vehicle models to be certain that they provide a reasonable degree of resistance against EMI/RFI. The FDA has stated that all newly manufactured electric mobility vehicle models should have a resistance level of at least 20 V/m. This level of resistance provides a reasonable degree of protection against the common sources of EMI/RFI.

The FDA has also requested or recommended that:

- Electric mobility vehicle manufacturers clearly label new products with their resistance level or state that the resistance level is not known.
- The labeling or informational material supplied with new electric mobility vehicle's must explain what the resistance level means and warn users about the possibility of EMI/RFI and how to avoid it.
- Electric mobility vehicle manufacturers undertake an educational program to inform electric mobility vehicle users and their caregivers about the problems associated with EMI/RFI and about the actions they can take to minimize the risk of EMI/RFI.
- While there is no exact way to tell if your mobility vehicle is totally safe, an immunity level of 20 V/m (May 1994) is generally achievable and useful. This product has been tested and passed at an immunity level of 20 V/m.

What can I do to find out if my mobility vehicle is likely to be affected by EMI/RFI?

If you have had your mobility vehicle for some time and have not experienced any unintended motion, it is not likely that you will have a problem in the future. However, it is always possible that EMI/RFI problems could arise if you are close to a source of radio waves. Therefore, it is very important for you to be alert to this possibility. The mobility vehicle meets or exceeds a resistance level of at least 20 V/m.

What can I do to reduce the risk of my mobility vehicle being affected by EMI/RFI?

Here are some precautions you can take:

- Do not turn on or use hand-held personal communications devices, such as citizens band (CB) radios and cellular phones, while your mobility vehicle is turned on.
- Be aware of nearby radio wave transmitters, such as radio or TV stations and hand-held or mobile two-way radios. Try not to operate your mobility vehicle too close to those transmitters. For example, if you are on an electric mobility vehicle with a resistance level of at least 20 V/m, you should remain at least three feet from a hand-held two-way radio and at least ten feet from a mobile two-way radio.
- Be aware that adding accessories and/or components, or modifying your mobility vehicle in any way, may change its EMI/RFI resistance level and may make it more susceptible to interference from radio wave sources.

What should I do if my mobility vehicle moves unexpectedly?

If unintended motion or unintended brake release occurs, turn off your mobility vehicle (by removing the key) as soon as it is safe to do so.

If my mobility vehicle moves unintentionally, where should I report the incident?

Call the Pride Customer Care Department at 1-800-424-8205 to report the incident.

IV. SPECIFICATIONS

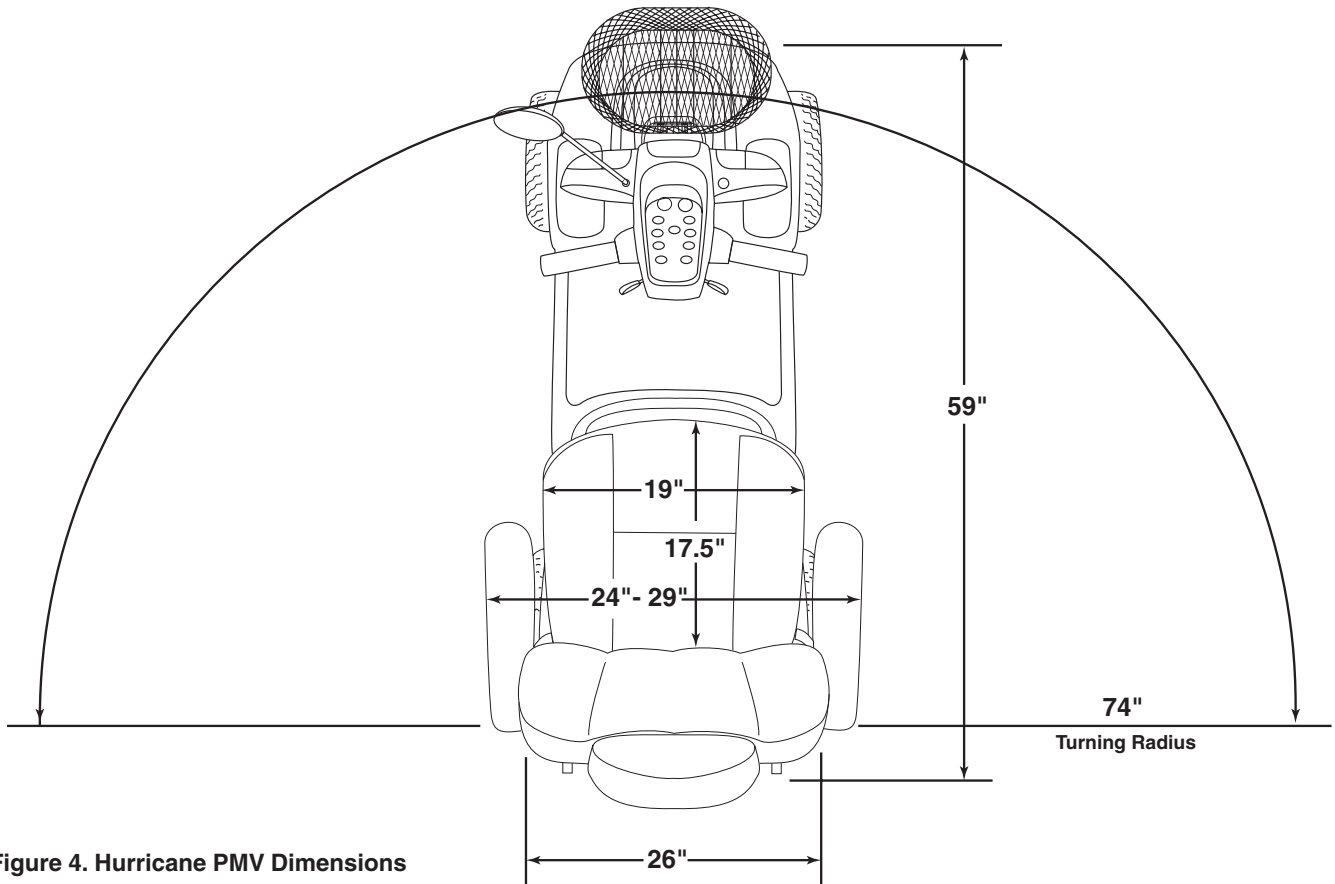
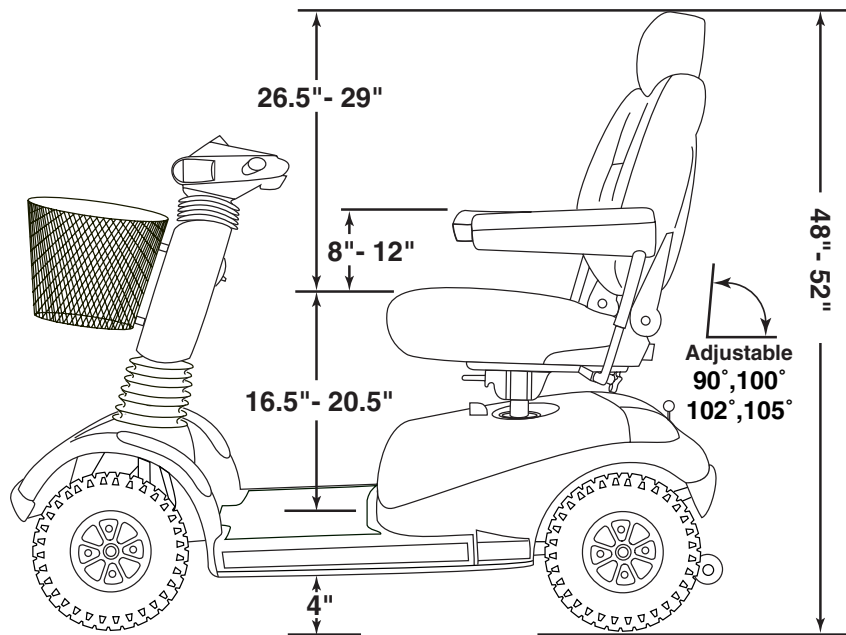


Figure 4. Hurricane PMV Dimensions

IV. SPECIFICATIONS

Model Numbers	PMV5000
Available Colors	Painted: Candy Apple Red, Viper Blue, Forest Green, and Onyx Black
Overall Length	59 in.
Overall Width	26 in.
Total Weight Without Batteries	205 lbs.
Heaviest Piece When Disassembled	Frame: 75 lbs.
Turning Radius	74 in.
Speed (max)	Variable up to 4 or 8 mph
Range Per Charge*	(12V, 40 AH batteries) Up to 20-30 miles (12V, 32 AH batteries) Up to 20-25 miles
Ground Clearance	4 in.
Weight Capacity	400 lbs.
Standard Seating	Type: Sport high-back luxury contoured seat with headrest, and sliders mounted on a standard seat post Dimensions: 19 in. width x 17.5 in. depth (usable) x 18.5 in. height (usable) Material: Vinyl: Gray, Beige, Black; Fabric: Gray, Gold
Drive System	Rear-wheel drive, 24V sealed transaxle
Dual Braking System	Electronic, regenerative and electromechanical
Wheels	Aluminum alloy wheels in Black
Tires	Type: Pneumatic; front: 4 in. x 13 in., rear: 4 in. x 13 in.
Battery Requirements	Type: 12-volt Amp Hours: 32 AH or 40 AH, AGM or Gel-Cell
Battery Charger	Onboard 3-amp Charger
Warranty	3-year limited
Accessories	rear basket; cup holder; safety flag; dust cover

* Varies with user weight, terrain type, battery charge, battery condition, and tire pressure.

V. YOUR HURRICANE PMV

Your Hurricane PMV is a motorized electric Hurricane PMV designed to enhance your personal mobility. Your Hurricane PMV is an indoor/outdoor Hurricane PMV designed to travel primarily on smooth surfaces, such as sidewalks, roads, parking lots, floors, and driveways. For easy transportation or storage, you can disassemble your Hurricane PMV into seven components. See figure 5.



Figure 5. Hurricane PMV Components

CONTROL CONSOLE ASSEMBLY

The control console assembly houses all of the controls you need to drive your Hurricane PMV, including the speed adjustment dial, throttle control levers, battery condition meter, status LED, running lights button, horn buttons, turn signal buttons, and the hazard lights button. See figure 7.



WARNING! Do not expose the control console assembly to moisture. In the event that the console does become exposed to moisture, do not attempt to operate your Hurricane PMV until the console has thoroughly dried.

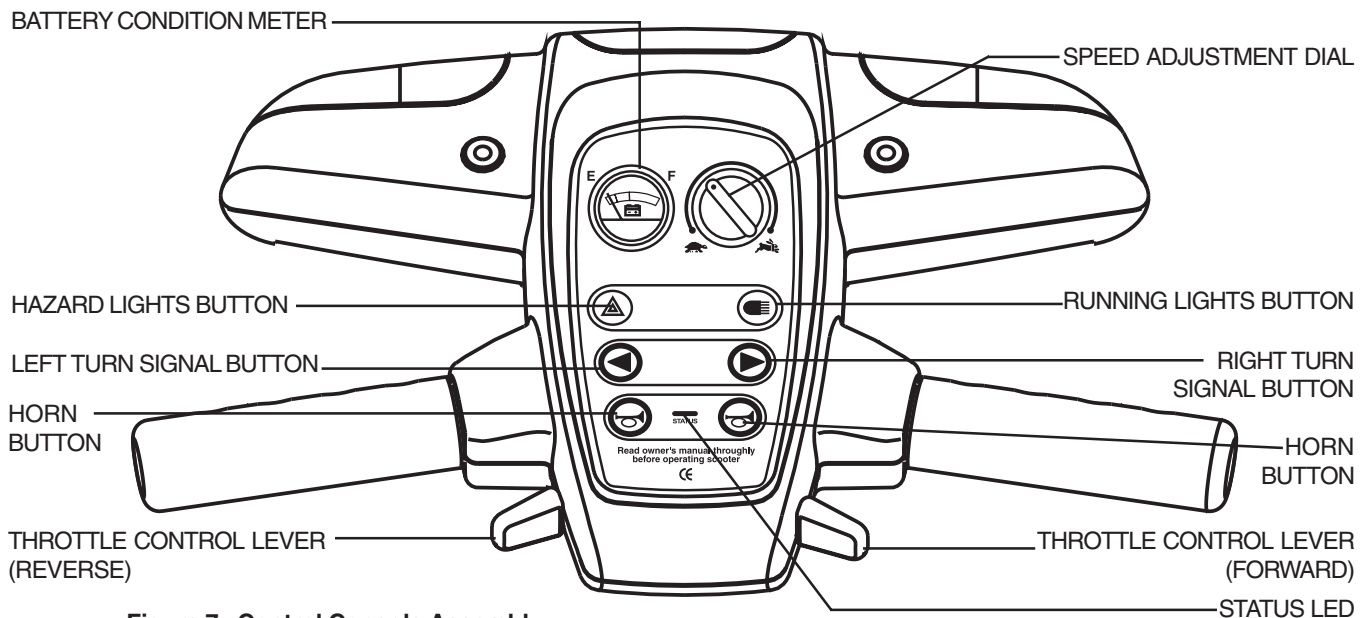


Figure 7. Control Console Assembly

V. YOUR HURRICANE PMV

Speed Adjustment Dial

This control dial allows you to preselect and limit your PMV's top speed.

- The image of the tortoise represents the slowest speed setting.
- The image of the hare represents the fastest speed setting.

Throttle Control Lever

This lever allows you to control the forward speed and the reverse speed of your Hurricane PMV up to the maximum speed you preset with the speed adjustment dial.

- Place your right hand on the right handgrip and your left hand on the left handgrip.
- Use your right thumb to push the right side of the lever to disengage your Hurricane PMV's brakes and move forward.
- Release the lever and allow your Hurricane PMV to come to a complete stop before pushing the other side of the lever to move in reverse.
- When the throttle is completely released, it automatically returns to the center "stop" position and engages your Hurricane PMV's brakes.

Battery Condition Meter

This meter gives an approximate reading of your PMV's battery voltage when the key is fully inserted into the key switch.

- Green indicates the Hurricane PMV's batteries are fully charged.
- Yellow indicates that the Hurricane PMV's battery voltage level is getting low and will require a charge soon.
- Red indicates that your Hurricane PMV's battery voltage level is very low, and the batteries should be recharged as soon as possible.

Running Lights Button

This button controls your Hurricane PMV's running lights.

- Press the button once to turn on your Hurricane PMV's running lights.
- Press the button again to turn off your Hurricane PMV's running lights.

Horn Button

The key must be inserted and turned to the "on" position for the horn to be operational.

- This button activates a warning horn.
- Do not hesitate to use the warning horn when its use could prevent accident or injury.

Hazard Light Button

This button activates the 4-way flashers on your PMV.

- Press the button once to turn on the flashers.
- Press the button again to turn off the flashers.

Turn Signal Buttons

- Press the appropriate turn signal button once to activate it.
- Your Hurricane PMV's turn signals are timed to shut off automatically.

Status LED

The Status LED will alert you to electrical problems that may occur with the Hurricane PMV. The LED remains constantly lit while your PMV is on. If the Hurricane PMV develops an electrical problem, the status LED will flash a code. See XI. "Basic Troubleshooting"). If the status LED flashes a code other than a code listed in "Basic Troubleshooting", Call the Pride Customer Care Department at 1-800-424-8205

V. YOUR HURRICANE PMV

TILLER

Your Hurricane PMV is equipped with an ergonomically enhanced pivoting tiller. This infinitely adjustable tiller is where the following components are located: the key, key switch, 4-8 mph switch, and the tiller adjustment lever. See figure 6A.



Figure 6A. Tiller

Tiller Adjustment Lever

This lever allows you to adjust the tiller to a number of positions between the forward stop and the Hurricane PMV deck. See figure 6A.

- Pull up on the tiller adjustment lever to move the tiller to a comfortable position.
- Release the tiller adjustment lever and the tiller remains in that position.

Key Switch

To turn the Hurricane PMV on, fully insert the key and turn it clockwise. To turn the Hurricane PMV off, turn the key counterclockwise. See figure 6A.



WARNING! If the key is moved to the off position while your Hurricane PMV is in motion, the electronic brakes engage and your Hurricane PMV comes to an abrupt stop!

4 mph - 8 mph Switch

This switch limits the Hurricane's top speed to either 4 or 8 mph depending on where the Hurricane's preset maximum speed is set. See figure 6A.

- With the switch set to 4 mph, the Hurricane's top speed is 4 mph.
- With the switch set to 8 mph, the Hurricane's top speed is 8 mph.

When driving indoors, keep the 4-8 switch set to 4 mph.

V. YOUR HURRICANE PMV

REAR SECTION

The onboard battery charger (not shown), the charger power cord receptacle, the batteries (not shown), the electronics module, the main circuit breaker (reset button), the ammeter, the manual freewheel lever, the anti-tip wheels, and the motor/transaxle assembly (not shown) are located on the rear section of your Hurricane PMV. See figure 7. Refer to IX. “Disassembly and Assembly” for instructions on removing the rear shroud.

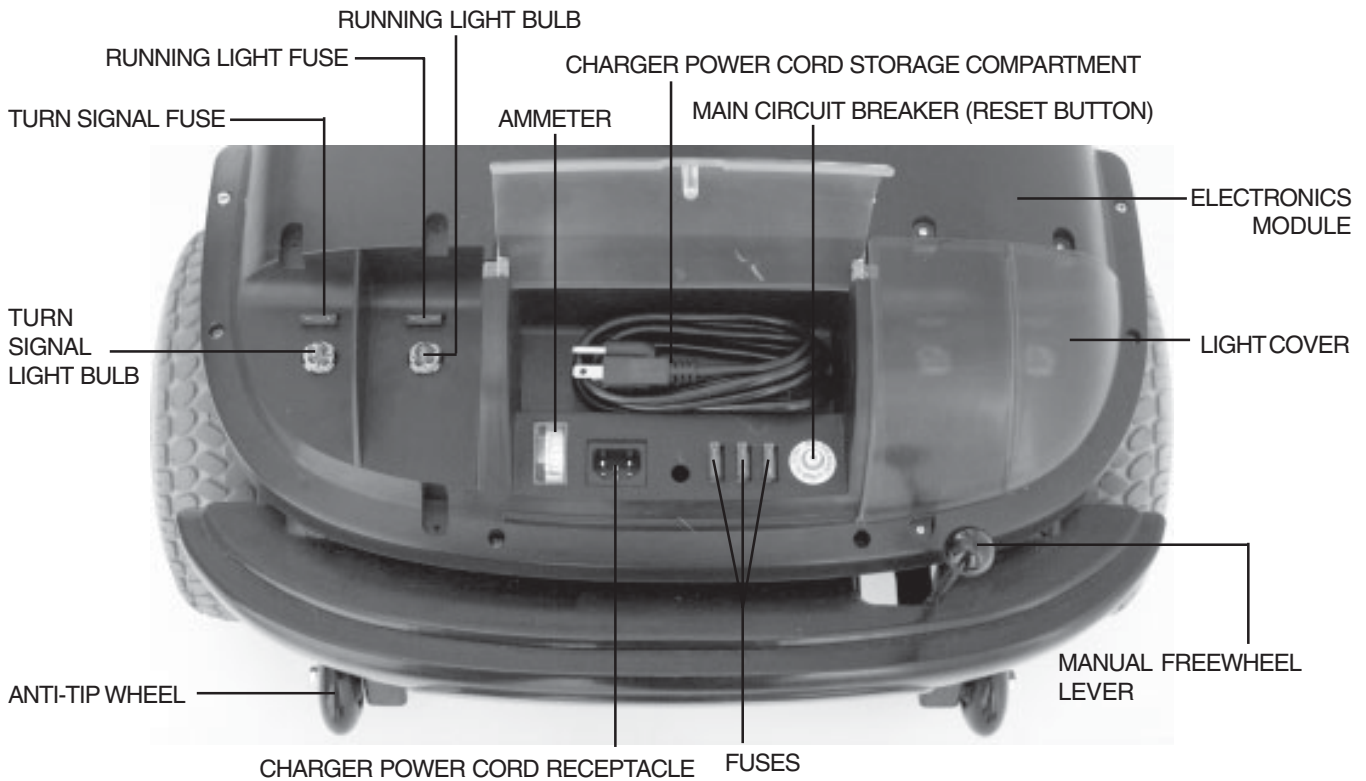


Figure 7. Rear Section (Left Light Cover Removed For Clarity)

Batteries

The batteries store the electrical energy that powers your Hurricane PMV. See VI. “Batteries and Charging.”

Main Circuit Breaker

When the voltage in your Hurricane’s batteries becomes low or your Hurricane PMV is heavily strained because of excessive loads or steep inclines, the main circuit breaker may trip to protect your Hurricane’s motor and electronics from damage. See figure 7.

- The main circuit breaker reset button pops out when the breaker trips.
- When the breaker trips, the entire electrical system of your Hurricane PMV shuts down.
- Allow a minute or two for your Hurricane’s electronics to “rest.”
- Push in the reset button to reset the breaker.
- If the breaker trips frequently, you may need to charge your batteries more often. You may also need to have your Pride Provider perform a load test on your Hurricane’s batteries.
- If the main circuit breaker trips repeatedly, see your authorized Pride Provider for service.

V. YOUR HURRICANE PMV

Manual Freewheel Lever

Whenever you need or want to push your Hurricane PMV for short distances, you can put it in freewheel mode.



WARNING! When your PMV is in freewheel mode, the braking system is disengaged.

- **Disengage the drive motors only on a level surface.**
- **Ensure the key is removed from the key switch.**
- **Stand behind the PMV to engage or disengage freewheel mode. Never sit on a PMV to do this.**
- **After you have finished pushing your PMV, always return it to the drive mode to lock the brakes.**

Failure to heed the above could result in personal injury and/or damage to your PMV.

OPERATION OF THE MANUAL FREEWHEEL LEVER

- **Only put the PMV in freewheel mode when on a flat surface with the key removed.**
- **Pull UP FIRMLY on the manual freewheel lever when putting the PMV into freewheel mode.**
- **Push DOWN FIRMLY to engage drive mode.**

- The manual freewheel lever is located on the end of the motor/transaxle assembly at the right rear of the Hurricane PMV. See figure 7.
- Pull up on the manual freewheel lever to disable the drive system and the brake system.
- You may push your Hurricane PMV.
- Push down on the manual freewheel lever to reengage the drive system and the brake system and take your Hurricane PMV out of freewheel mode.

The Hurricane is equipped with a safety feature called “push-too-fast” which prevents the PMV from gaining excessive speed while being pushed in freewheel mode.

“Push-too-fast” operates differently depending on which of two conditions exists.

- When the PMV is powered down “off” and in freewheel mode, the controller activates regenerative braking that creates resistance when you push the PMV faster than a maximum speed which has been preprogrammed.
- When the PMV is powered up “on” with the manual freewheel lever in the drive “down” position, you will encounter considerable resistance if you try pushing the PMV. (It is recommended that you do not push the PMV with the key in the “on” position while in freewheel mode.)

Motor/Transaxle Assembly

The motor/transaxle assembly is the electromechanical unit that converts the electrical energy of your Hurricane’s batteries into the controlled mechanical energy that drives the Hurricane’s wheels.

Anti-Tip Wheels

The anti-tip wheels are an integral and important safety feature of your Hurricane PMV. Do not, under any circumstances, remove the anti-tip wheels from your Hurricane PMV. See figure 7.



WARNING! Do not remove the anti-tip wheels or modify your PMV in any way that is not authorized by Pride.

V. YOUR HURRICANE PMV

Charger Power Cord Receptacle

The charger power cord plugs into your Hurricane's battery charger by means of the charger power cord receptacle.

Fuses

The fuses help protect your Hurricane's lighting, control console assembly, and charging systems from receiving an overload of electrical current. The fuses used in the Hurricane PMV are the same type automobiles use. See figure 8.

If a fuse must be replaced (see figure 9), use only the specified amp fuse. See XII. "Care and Maintenance."

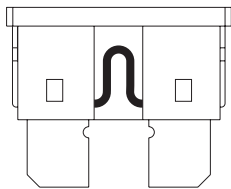


Figure 8. Working Fuse

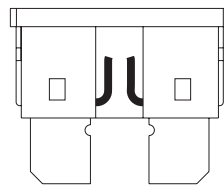


Figure 9. Blown Fuse (Replace)

Hercules Docking Device

Your Hurricane PMV is equipped with a Hercules 3000 docking device. See figure 10. In order to utilize the docking device, it is necessary to purchase an insert (T-bar or Bullnose and C-arm) that, when used with the Hercules 3000, will lift a Hurricane PMV into a vehicle.

Contact your authorized Pride Provider for more information about the docking device and the Hercules 3000 lift.

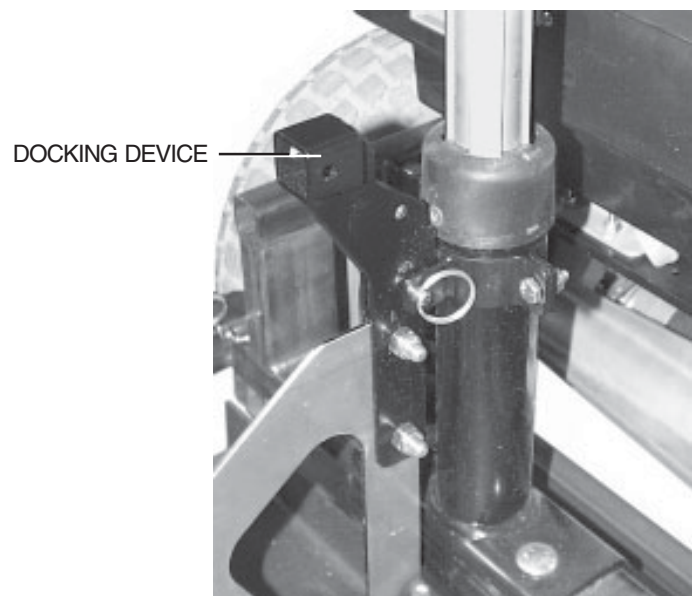


Figure 10. Hercules 3000 Docking Device

VI. BATTERIES AND CHARGING

Your Hurricane PMV uses two long-lasting, 12-volt, deep-cycle batteries that are sealed and maintenance free. They are recharged by an onboard 3-amp charging system designed for ease of use and convenience.

- Charge your Hurricane's batteries prior to using it for the first time.
- Keep your batteries fully charged to keep your Hurricane PMV running trouble free.

Follow these easy steps to charge your batteries safely:



WARNING! Never use an extension cord to plug in your battery charger. Plug the charger directly into a properly wired standard wall outlet.

WARNING! Removal of the grounding prong can create an electrical hazard. If necessary properly install an approved 3-prong adaptor to an electrical outlet having 2-pronged plug access. Failure to heed could result in personal injury and or property damage.

1. Position your Hurricane PMV close to a standard wall outlet.
2. Remove the key from the control console assembly.
3. Make certain that the manual freewheel lever is in the drive (down) position.
4. Plug the charger power cord into the charger power cord receptacle on the Hurricane PMV.
5. Extend the charger power cord and plug it into the wall outlet.

NOTE: There is a charger inhibit on your Hurricane PMV. The Hurricane PMV will not run and the battery condition meter will not operate while the batteries are charging.

It is recommended that you charge your batteries for 8 to 14 hours. You can check this periodically by the battery condition meter on the control console assembly. However, you must first unplug the battery charger and then insert the key. The battery condition LED on the control console assembly indicates the approximate strength of your batteries. To ensure the highest accuracy, the battery condition meter should be checked while operating your PMV at full speed on a level surface. See figure 11.

- Green indicates the Hurricane PMV's batteries are fully charged.
- Yellow indicates that the Hurricane PMV's battery voltage level is getting low and will require a charge soon.
- Red indicates that your Hurricane PMV's battery voltage level is very low, and the batteries should be recharged as soon as possible.

You can also check the charge by the ammeter which is visible on the rear electronics module. The battery charger must be plugged into a wall outlet to obtain a reading. When the amperage reading is at or near zero (0) amps, the battery charging is complete. See figure 12.

6. When the batteries are fully charged, unplug the charger power cord from the wall outlet and then from the charger power cord receptacle.
7. Place the charger power cord in the rear storage compartment for safekeeping.

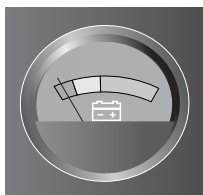


Figure 11. Battery Condition Meter

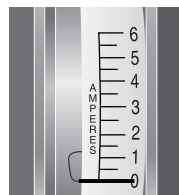


Figure 12. Ammeter Indicates Battery Is Fully Charged

VI. BATTERIES AND CHARGING

FREQUENTLY ASKED QUESTIONS (FAQS)

How does the charger work?

When your Hurricane's battery voltage is low, the charger works harder and sends more electrical current to the batteries to bring up their charge. As the voltage of the batteries approaches a full charge, the charger sends less and less electrical current to the batteries. When the batteries are fully charged, the current sent to them from the charger is at nearly zero amperage. Therefore, when the charger is plugged in, it maintains the charge on your Hurricane's batteries, but does not overcharge them. We do not recommend that you charge your Hurricane's batteries for more than 24 consecutive hours.

What if the Hurricane's batteries won't charge?

- Be sure the battery cables are connected properly.
- Ensure both ends of the charger cord are inserted fully.
- Examine the 5-amp charger fuse. If the fuse is blown, the batteries will not charge. See figures 8 and 9.

Can I use a different charger?

For the safest, most efficient and balanced charging of your Hurricane's batteries, we prefer and highly recommend the simultaneous charging of both batteries by use of the onboard battery charger.

How often must I charge the batteries?

Two major factors must be considered when deciding how often to charge your Hurricane's batteries:

- All day Hurricane PMV use on a daily basis.
- Infrequent or sporadic Hurricane PMV use.

With these considerations in mind, you can determine just how often and for how long you should charge your Hurricane's batteries. We designed the onboard charger so that it will not overcharge your Hurricane PMV's batteries (do not charge them for more than 24 consecutive hours). However, you may encounter some problems if you do not charge your batteries often enough and if you do not charge them on a regular basis. Following the five guidelines below will provide safe and reliable battery operation and charging.

- If you use your Hurricane PMV daily, charge its batteries as soon as you finish using it for the day. Your Hurricane PMV will be ready each morning to give you a "full day" of service. We recommend that you charge your Hurricane's batteries for 8 to 14 hours after daily use.
- If you use your Hurricane PMV once a week or less, charge its batteries at least once a week for 12 to 14 hours at a time.
- Keep your Hurricane's batteries fully charged.
- Avoid deeply discharging your Hurricane's batteries.
- Do not charge your Hurricane's batteries for more than 24 consecutive hours.

How can I get maximum range or distance per charge?

Rarely will you have ideal driving conditions—smooth, flat, hard driving surfaces with no wind or curves. You will often face hills, sidewalk cracks, uneven and loosely packed surfaces, curves, and wind. All of these driving conditions affect the distance or running time per battery charge. Below are a few suggestions for obtaining the maximum range per battery charge.

VI. BATTERIES AND CHARGING

- Always fully charge your Hurricane's batteries prior to your daily use.
- Maintain **30-35 psi** (pounds per square inch) in all of your Hurricane's tires.
- Plan your route ahead to avoid as many hills, cracked, broken, or soft surfaces as possible.
- Limit your baggage weight to essential items.
- Try to maintain an even speed while your Hurricane PMV is in motion.
- Avoid stop-and-go driving.

What type and size of battery should I use?

We recommend deep-cycle batteries that are sealed and maintenance free. Both AGM and Gel-Cell are deep-cycle batteries that are similar in performance. Do not use wet-cell batteries, which have removable caps.

NOTE: Sealed batteries are not serviceable. Do not remove the caps.

Use these specifications to reorder deep-cycle batteries:

Type: Deep-cycle (AGM or Gel-Cell)
Size: U-1 (32 AH only), 40 AH (Amp Hours)
Voltage: 12 volts each
Amperage: 32 AH or 40 AH



WARNING! Corrosive chemicals contained in batteries. Use only AGM or Gel-Cell batteries to reduce the risk of leakage or explosive conditions.

To change a battery in your Hurricane PMV:



WARNING! Battery posts, terminals, and related accessories contain lead and lead compounds. Wash hands after handling.

1. Remove the seat and the rear shroud. See IX. "Disassembly and Assembly."
2. Disconnect the battery tie-down strap (if equipped).
3. Disconnect the battery cables from the electronics module.
4. Disconnect the battery cables from the battery terminals.
5. Remove the old battery.
6. Place a new battery in the battery well.
7. Connect the red battery cable to the positive (+) battery terminal.
8. Connect the black battery cable to the negative (-) battery terminal.
9. Reconnect the battery cables to the electronics module.
10. Reconnect the battery tie-down strap (if equipped).
11. Reinstall the rear shroud and the seat.

Why do my new batteries seem weak?

Deep-cycle batteries employ a different chemical technology than that used in car batteries, nickel-cadmium batteries (nicads), or in other common battery types. Deep-cycle batteries are specifically designed to provide power, drain down their charge, and then accept a relatively quick recharge.

We work closely with our battery manufacturer to provide batteries that best suit your Hurricane's specific electrical demands. Fresh batteries arrive daily at Pride and are shipped fully charged to our customers. During shipping, the batteries may encounter temperature extremes that may influence their initial performance. Heat diminishes the charge on the battery; cold slows the available power and extends the time needed to recharge the battery.

VI. BATTERIES AND CHARGING

It may take a few days for the temperature of your Hurricane's batteries to stabilize and adjust to their new room or ambient temperature. More importantly, it takes a few charging cycles (a partial drain followed by a full recharge) to establish the critical chemical balance that is essential to a deep-cycle battery's peak performance and long life.

Please follow these steps to properly break in your Hurricane's new batteries for maximum efficiency and service life.

1. Fully recharge any new battery prior to its initial use. This charging cycle brings the battery up to about 88% of its peak performance level.
2. Operate your new Hurricane PMV in familiar and safe areas. Drive slowly at first, and do not travel too far from your home or familiar surroundings until you have become accustomed to your Hurricane's controls and have properly broken in your Hurricane PMV's batteries.
3. Fully recharge the batteries. They should be at over 90% of their peak performance level.
4. Operate your Hurricane PMV again.
5. Fully recharge the batteries again.
6. After four or five charging cycles, the batteries are able to receive a charge of 100% of their peak performance level and are able to last for an extended period of time.

How can I ensure maximum battery life?

Fully charged deep-cycle batteries provide reliable performance and extended battery life. Keep your Hurricane's batteries fully charged whenever possible. Batteries that are regularly and deeply discharged, infrequently charged, or stored without a full charge may be permanently damaged, causing unreliable performance and limited service life.

How should I store my Hurricane PMV and its batteries?

See XII. "Care and Maintenance."

What about public transportation?

If you intend to use public transportation while using your Hurricane PMV, you must contact in advance the transportation Provider to determine their specific requirements.

VII. OPERATION

BEFORE GETTING ONTO YOUR HURRICANE PMV

- Have you fully charged the batteries? See VI. “Batteries and Charging.”
- Is the manual freewheel lever in the drive (down) position? Never leave the manual freewheel lever pulled up unless you are manually pushing your Hurricane PMV.

GETTING ONTO YOUR HURRICANE PMV

1. Make certain that the key is removed from the key switch.



WARNING! Never attempt to board or exit your Hurricane PMV without first removing the key from the key switch. This will prevent the Hurricane PMV from moving if accidental contact with the throttle control lever is made.

2. Stand at the side of your Hurricane PMV.
3. Pull up on the seat rotation lever and rotate the seat until it is facing you.
4. Make certain that the seat is locked securely in position.



WARNING! Always lock the seat into position before you operate your PMV.

5. Position yourself comfortably and securely in the seat.
6. Pull up on the seat rotation lever and rotate the seat until you are facing forward.
7. Make certain that the seat is locked securely in position.
8. Make certain that your feet are safely on the floorboard.
9. Follow the checklist below. Familiarize yourself with this checklist, since some of the checks must be performed before you get on your Hurricane PMV.

PRE-RIDE ADJUSTMENTS AND CHECKS

- Is your proposed path clear of people, pets, and obstacles?
- Have you planned your route to avoid adverse terrain and as many inclines as possible?
- Are you positioned comfortably in the seat? See “Getting Onto Your Hurricane PMV,” above.
- Is the seat at the proper height? See VIII. “Comfort Adjustments.”
- Is the seat locked securely in place? See VIII. “Comfort Adjustments.”
- Is the tiller handle at a comfortable setting and locked securely in place? See VIII. “Comfort Adjustments.”
- Set the 4 - 8 switch to your desired maximum speed of 4 or 8 mph; then set the speed adjustment dial to your desired speed. We recommend you initially set the 4 - 8 switch to 4 and adjust your speed to the slowest setting.
- Is the key fully inserted into the key switch and in the “on” position? See V. “Your Hurricane PMV.”
- Does your Hurricane’s horn work properly?

VII. OPERATION

OPERATING YOUR PMV

Keep both hands on the tiller and your feet on the floorboard at all times while operating your PMV. This driving position gives you the most control over your vehicle.

- Set the speed adjustment dial to your desired speed.
- Press your thumb against the appropriate throttle control lever.
- The electromechanical disc park brake automatically disengages and the PMV accelerates smoothly to the speed you preselected with the speed adjustment dial.
- Pull on the left handgrip to steer your PMV to the left.
- Pull on the right handgrip to steer your PMV to the right.
- Move the tiller to the center position to drive straight ahead.
- To stop, slowly release the throttle control lever. The electronic brakes will automatically engage when your PMV comes to a stop.

NOTE: Your PMV's reverse speed is slower than that of the forward speed you preset with the speed adjustment dial.

GETTING OFF OF YOUR HURRICANE PMV

1. Bring your Hurricane PMV to a complete stop.
2. Make certain that the key is turned (counterclockwise) to the "off" position.
3. Pull up on the seat rotation lever and rotate the seat until you are facing toward the side of your Hurricane PMV.
4. Make certain that the seat is locked securely in position.
5. Carefully and safely get out of the seat and stand to the side of your Hurricane PMV.
6. You may, if you wish, leave the seat facing to the side to facilitate boarding your Hurricane PMV the next time you are going to operate it.

VIII. COMFORT ADJUSTMENTS

TILLER ANGLE ADJUSTMENT



WARNING! Remove the key from the key switch before adjusting the tiller or the seat. Never attempt to adjust the tiller or the seat while the PMV is in motion.

Your Hurricane is equipped with an ergonomically enhanced pivoting tiller that keeps the console controls at your fingertips regardless of the tiller angle.

1. Pull up on the tiller adjustment lever. See figure 13.
2. Move the tiller to a comfortable position.
3. Release the tiller adjustment lever. The tiller remains in the position you selected.

NOTE: In order to lower the tiller to the Hurricane deck, you must first remove the seat, rear shroud, and both batteries. See IX. "Disassembly and Assembly."



Figure 13. Tiller Adjustment

SEAT HEIGHT ADJUSTMENT

The seat can be repositioned to one of five different heights.

1. Remove the seat from your Hurricane. See IX. "Disassembly and Assembly."
2. Use the attached ring to pull and remove the ball detent pin from the lower seat post. See figure 14.
3. Raise or lower the seat pedestal to the desired seat height.
4. Hold the seat pedestal at that height and match up the holes in the seat pedestal and in the lower seat post.
5. Fully insert the ball detent pin.
6. Replace the seat.

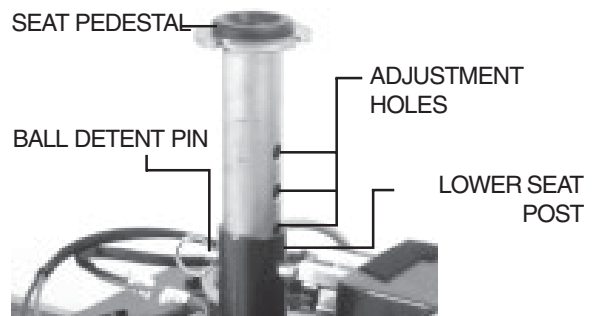


Figure 14. Seat Height Adjustment

FRONT-TO-BACK SEAT ADJUSTMENT

The Hurricane is equipped with a sliding seat that is operated like an automobile seat. You can reposition the Hurricane's seat forward or rearward.

1. Pull out the front-to-back seat release lever. See figure 15.
2. Move the seat forward or rearward.
3. Release the front-to-back seat release lever.

SEAT ROTATION

The seat lock lever locks the seat in one of four positions.

1. Push down on the seat lock lever to unlock the seat. See figure 15.
2. Rotate the seat to the desired position.
3. Release the seat lock lever to lock the seat securely in place.

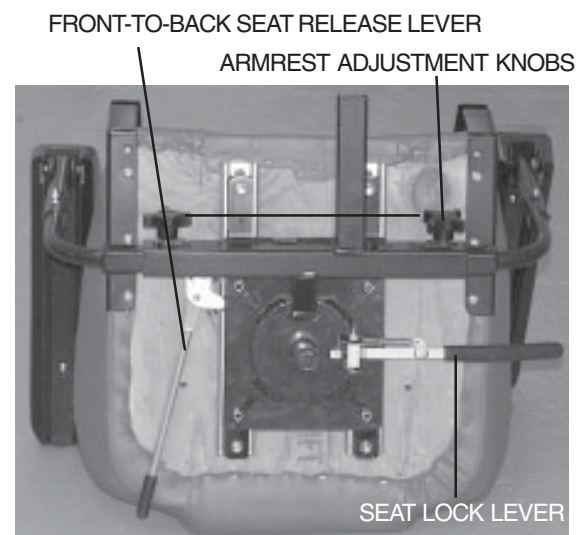


Figure 15. Seat Adjustments

VIII. COMFORT ADJUSTMENTS

ARMREST WIDTH ADJUSTMENT

The Hurricane armrest width can be adjusted inward or outward.

1. Loosen the armrest adjustment knobs at the back of the seat frame. See figure 16.
2. Slide the armrest uprights in or out to the desired width.
3. Tighten the armrest adjustment knobs.

The armrests can also be lifted upward to allow getting onto and off of your Hurricane easier.

ARMREST HEIGHT ADJUSTMENT

Refer to figure 16 when adjusting the armrest height.

Required tools:

• 5/32-in. Hex Key • 1/8-in. Hex Key • 7/16-in. Wrench

1. Loosen the setscrew on the side of the height adjustment tube with the 1/8-in. hex key. See figure 16.
2. Loosen and remove the acorn nut and screw holding the height adjustment tube in place.
3. Raise or lower the height adjustment tube to the desired height.
4. Align the holes in the adjustment tube with the holes in the armrest upright.
5. Insert the screw through the holes in both the height adjustment tube and the armrest upright.
6. Install and tighten the acorn nut.
7. Tighten the setscrew on the side of the height adjustment tube.
8. Repeat for the other armrest.

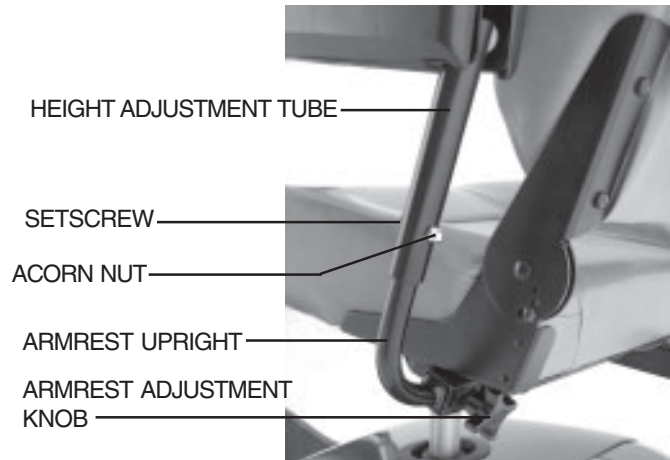


Figure 16. Armrest Adjustments

VIII. COMFORT ADJUSTMENTS

SEATBACK ADJUSTMENT

The seatback may be positioned to four different angles: 90°, 100°, 102° and 105°. See figure 16A.

To adjust the seatback angle:

1. Loosen and remove the adjustment screw from the seatback hinge on both sides of the seat.
2. Reposition the seatback to the desired angle.
3. Align the adjustment holes from the upper and lower hinge, so the adjustment screw can easily pass through.
4. Reinsert both adjustment screws and tighten.

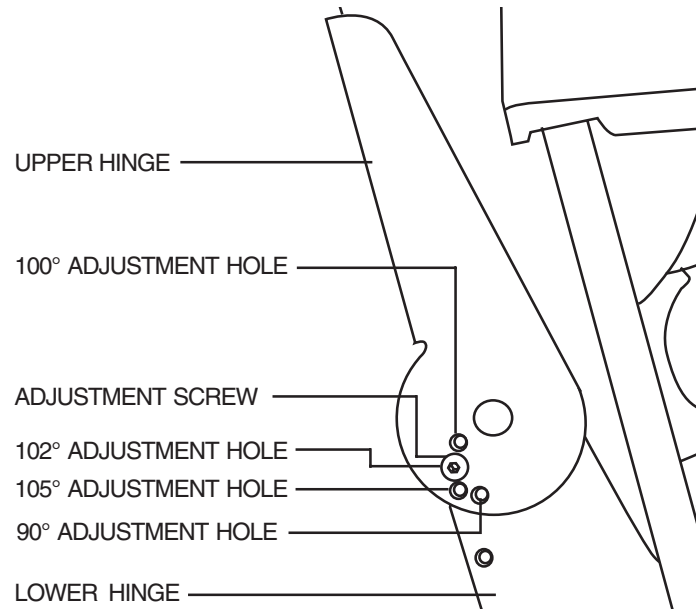


Figure 16A. Seatback Hinge

POWER SEAT (OPTIONAL)

Your Hurricane PMV may be equipped with a power seat actuator, which raises and lowers the seat automatically. See figure 17.



WARNING! The power seat is intended for operation only while your PMV is stationary and on a level surface. Its purpose is to aid you in reaching objects.

Strict adherence to the following safety rules is vital to your safety:

- Do not attempt to raise or lower the seat while in motion!
- Operate the power seat only on level ground.
- Do not operate your PMV with the power seat elevated.
- It is recommended that the PMV be driven only with the seat in the lowest position.

Raising and lowering the power seat when traveling or when on an incline could cause the PMV to tip over, resulting in serious injury and/or PMV damage. Keep the power seat in its lowest position when traveling or when on an incline.

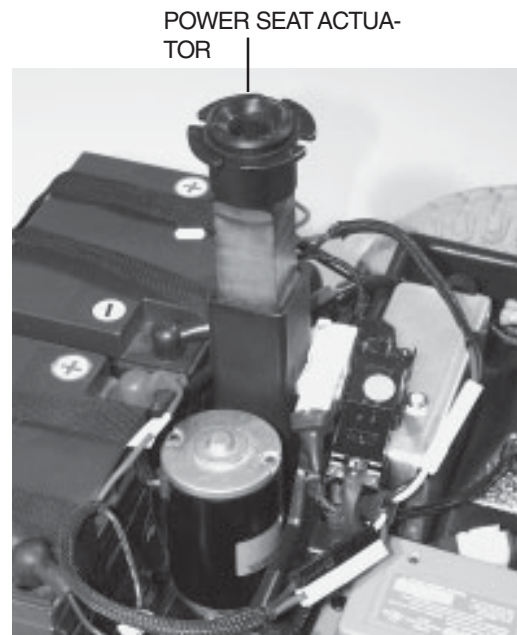


Figure 17. Power Seat Actuator (Optional)

IX. DISASSEMBLY AND ASSEMBLY

DISASSEMBLY



WARNING! Lifting weight beyond your physical capability may result in personal injury. Ask for assistance when necessary while disassembling or assembling your PMV.

No tools are required to disassemble or assemble your Hurricane PMV. Always disassemble or assemble your Hurricane PMV on a level, dry surface with sufficient room for you to work and move around your PMV. Keep in mind that the disassembled sections of the Hurricane PMV take up more floor space than the assembled PMV.

You can disassemble the Hurricane PMV into seven pieces: the seat, the front section, the rear section, the rear shroud, the basket, and the batteries. Place the Hurricane PMV in an area where you have sufficient clearance to move the parts around. You need about four or five feet in all directions. You may need assistance to lift some of the Hurricane PMV components. See IV. “Specifications” for individual component weights.

1. Place the manual freewheel lever in the drive (down) position.
2. Coil the charger power cord and store it in the rear storage compartment. See figure 7.
3. Pull up on the seat rotation lever to unlock the seat. Rotate the seat one eighth of a turn, and lift the seat up and off the Hurricane PMV. See figure 18.
4. Gently lift the rear shroud off of the Hurricane PMV. See figure 19.
5. Disconnect the battery tie-down strap.
6. Unplug both black and white 2-pin battery harnesses. See figure 20.
7. Unplug the silver front-to-rear harness that connects the control console assembly to the electronics module. See figure 21.
8. Lift both batteries off the Hurricane PMV. See figure 22.



CAUTION! Failure to unplug both battery harnesses and the front-to-rear harness prior to disassembly could result in permanent damage to the Hurricane PMV.

9. Push the locking cam levers forward and remove the ball detent pins. See figures 23 and 24.
10. Remove the docking device ball detent pin. See figure 25.
11. Gently slide the two sections of the Hurricane PMV apart. See figure 26.
12. Grab the handle grip on the tiller, pull upward on the tiller adjustment lever, and gently lower the tiller down to the center of the Hurricane PMV chassis until it is fully lowered.

NOTE: There is no need to disconnect the motor harness when disassembling the Hurricane PMV. See figure 27.



Figure 18. Seat Removal



Figure 19. Rear Shroud Removal

IX. DISASSEMBLY AND ASSEMBLY

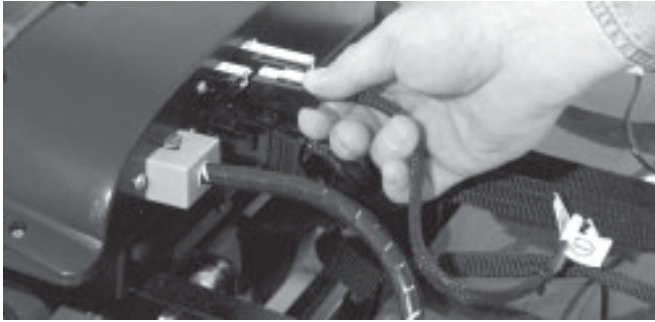


Figure 20. Disconnecting The Battery Harnesses



Figure 21. Disconnecting The Front-To-Rear Harness



Figure 22. Battery Removal

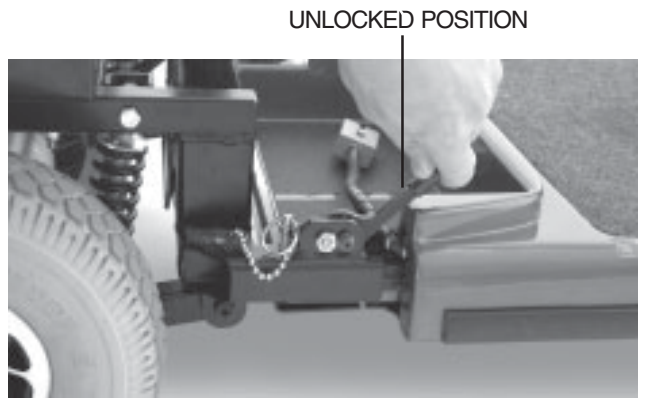


Figure 23. Locking Cam Levers

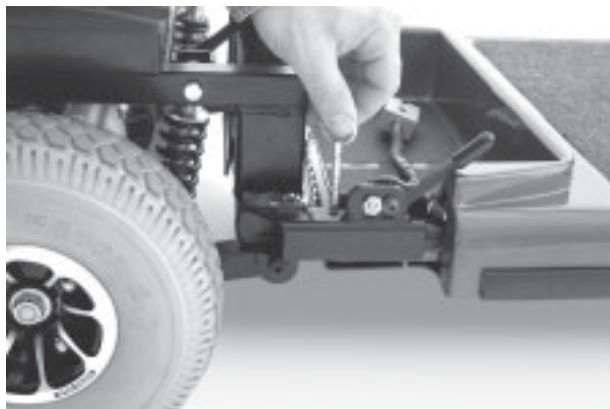


Figure 24. Ball Detent Pins With Rings

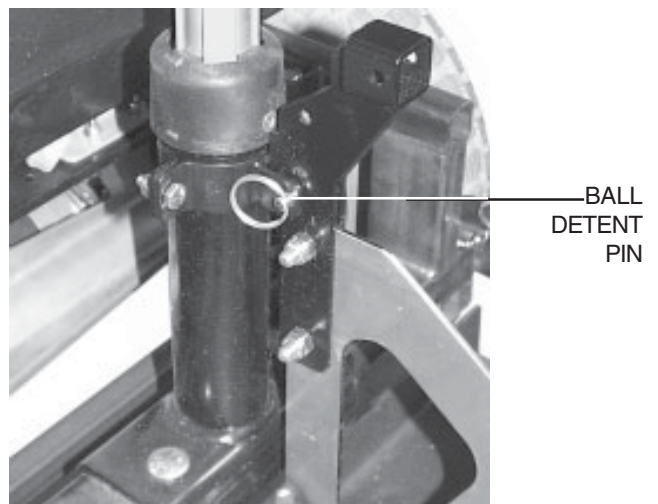


Figure 25. Ball Detent Pin

IX. DISASSEMBLY AND ASSEMBLY



Figure 26. Frame Separation

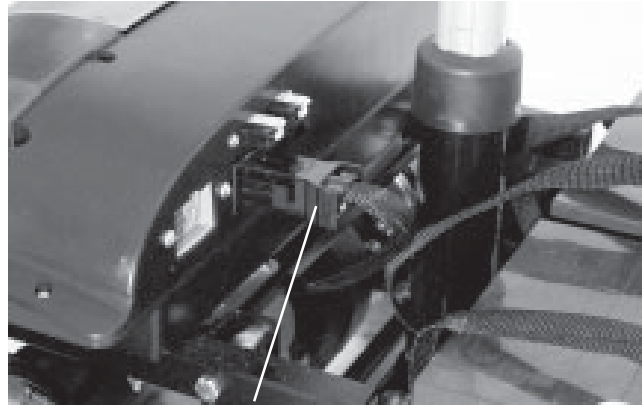


Figure 27. Motor Harness

ASSEMBLY

NOTE: Raise the tiller before starting to assemble the Hurricane PMV.

1. Place the manual freewheel lever in the drive (down) position.
2. Position the front and rear sections next to each other.
3. Tilt the rear end to a horizontal position and insert the longer tube of the front end into the rear section first; make sure that the locking cam levers are in the unlocked (vertical) position and the ball detent pins are removed.
4. Slide the two sections of the unit together until the front half reaches its insertion limit.
5. Secure the front and rear sections with the ball detent pins. See figure 24.
6. Push the frame lock levers back to their locked (downward) position.
7. Replace the ball detent pin into the docking device.
8. Plug the silver front-to-rear harness into the mating plug found on the electronics module.
9. Put the batteries in place and plug the black and white 2-pin battery harnesses into the electronics module.
10. Reconnect the battery tie-down strap.
11. Gently place the rear shroud over the pneumatic seat post.
12. Lower the shroud into place.
13. Carefully lift the seat and slide the seat platform (on the seat bottom) onto the seat pedestal.
14. Rotate the seat until it locks into place.

X. OPTIONAL ACCESSORIES

OPTIONAL ACCESSORIES

For information concerning these optional accessories, see your authorized Pride Provider.



• Cup Holder



• Safety Flag



• Rear Basket

XI. BASIC TROUBLESHOOTING

Any electromechanical device occasionally requires some troubleshooting. However, most of the problems that may arise can usually be solved with a bit of thought and common sense. Many of these problems occur because the batteries are not fully charged or because the batteries are worn down and can no longer hold a charge.

DIAGNOSTIC FLASH CODES

The diagnostic flash codes for your Hurricane PMV are designed to help you perform basic troubleshooting quickly and easily. A diagnostic flash code will flash from the status LED in the event one of the conditions listed below develops.

NOTE: Your Hurricane PMV will not run unless the flash code condition is resolved and the Hurricane PMV has been turned off then turned back on.

FLASH CODE	CONDITION	SOLUTION
■ ■ ■ ■ ■	Batteries are too low to operate the PMV or the charger is operating.	Charge batteries or unplug the charger power cord from the electrical outlet.
■ ■	Controller is hot; the PMV seems to be losing power.	Shut down your PMV for a minimum of several minutes to allow the controller to cool.
■ ■ ■ ■	Wigwag fault; your throttle control levers are not responding.	Call your authorized Pride provider for assistance.
■ ■ ■ ■ ■	The manual freewheel lever is in the (up) freewheel position.	Turn the PMV key to the off position, then push the manual freewheel lever to the (down) drive position, restart your PMV.
■ ■ ■ ■ ■ ■ ■	The PMV is operating with the charger attached.	Unplug the charger cord from the charger power cord receptacle.

What if all the systems on my Hurricane PMV seem to be “dead”?

- Make certain that the key is in the “on” position.
- Check that the batteries are fully charged. See VI. “Batteries and Charging.”
- Push in the main circuit breaker reset button. See V. “Your Hurricane PMV.”
- Make certain that both battery harnesses are firmly connected to the electronics module and to the battery terminals. See IX. “Disassembly and Assembly.”
- Make sure that the silver front-to-rear harness is firmly connected to the electronics module. See IX. “Disassembly and Assembly.”
- Be sure the auto shutoff feature hasn’t been activated. See VI. “Batteries and Charging.”
- Check the fuses. See XII. “Care and Maintenance” for fuse replacement.

What if the motor runs but my Hurricane PMV does not move?

- With the key turned to the “on” position, check the status LED. If the LED flashes three times, pauses briefly, then flashes two times, this is the manual freewheel lever code meaning your Hurricane PMV is in freewheel mode.
- When the manual freewheel lever is pulled up, the brakes are disengaged and all power to the transaxle is cut.
- Push down the manual freewheel lever to restore normal operation to your Hurricane PMV. See V. “Your Hurricane PMV.”

XI. BASIC TROUBLESHOOTING

What if the main circuit breaker repeatedly trips? See V. “Your Hurricane PMV.”

- Charge the Hurricane’s batteries more frequently. See VI. “Batteries and Charging.”
- If the problem continues, have both of your Hurricane’s batteries load tested by your authorized Pride Provider.
- You may also perform the load test yourself. Battery load testers are available at most automotive parts stores.
- Follow the directions supplied with the load tester.
- See VI. “Batteries and Charging” or IV. “Specifications” for information about your Hurricane’s battery type.

What if the battery condition meter dips way down and the motor surges or hesitates when I press my Hurricane’s throttle control lever? (See V. “Your Hurricane PMV.”)

- Fully charge your Hurricane’s batteries. See VI. “Batteries and Charging.”
- Have your authorized Pride Provider load test each battery.
- Or, see the previous troubleshooting question for load testing the batteries yourself.

If you experience any problems with your Hurricane PMV that you are not able to solve, immediately contact your authorized Pride Provider for information, maintenance, and service.

XII. CARE AND MAINTENANCE

Your Hurricane PMV requires a minimal amount of care and maintenance. If you do not feel confident in your ability to perform the maintenance listed below, you may schedule inspection and maintenance at your authorized Pride Provider. The following areas require periodic inspection and/or care and maintenance.

TIRE PRESSURE

- For optimum Hurricane PMV performance we recommend that the tire pressure be maintained at **30-35 psi**.



WARNING! It is important that 30-35 psi tire pressure be maintained in pneumatic tires at all times. Do not underinflate or overinflate your tires. Low pressure may result in loss of control, and overinflated tires may burst. Failure to maintain 30-35 psi tire pressure in pneumatic tires at all times may result in tire and/or wheel failure, causing serious personal injury and/or damage to your PMV.

- Regularly inspect your Hurricane's tires for signs of wear.
- Use a rubber conditioner on your Hurricane's tires to help to preserve them.

EXTERIOR SURFACES

- Bumpers and trim also benefit from an occasional application of rubber or vinyl conditioner.



WARNING! Do not use a rubber or vinyl conditioner on the Hurricane PMV's vinyl seat, floorboard, or tire tread; they will become dangerously slippery.

BATTERY TERMINAL CONNECTIONS

- Make certain that the terminal connections remain tight and uncorroded.
- The batteries must sit flat in the battery wells.
- The battery terminals should face the rear of the Hurricane PMV.

WIRING HARNESES

- Regularly check all wiring connections.
- Regularly check all wiring insulation, including the charger power cord, for wear or damage.
- Have your authorized Pride Provider repair or replace any damaged connector, connection, or insulation that you find before using your Hurricane PMV again.

ABS PLASTIC SHROUDS

- The front console shroud, front shroud, and the rear shroud are formed from durable ABS plastic and coated with an advanced formula urethane paint.
- A light application of car wax will help the shrouds retain their high gloss.

AXLE BEARINGS AND THE MOTOR/TRANSAXLE ASSEMBLY

- These items are all prelubricated, sealed, and require no subsequent lubrication.

MOTOR BRUSHES

- The motor brushes are housed inside of the motor transaxle/assembly. They should be inspected periodically for wear by your Pride Provider.

XII. CARE AND MAINTENANCE

CONTROL CONSOLE ASSEMBLY, CHARGER, AND REAR ELECTRONICS

- Keep these areas free of moisture.
- If any of these items do become exposed to moisture, let them dry thoroughly before operating your Hurricane PMV again.

REAR LIGHTS

The light bulbs for the rear running lights and turn signals are easily replaceable.

NOTE: Replacement light bulbs can be purchased from your authorized Pride Provider.

- Remove the light cover which is held in place with three (3) Phillips head screws.
- Gently remove the bulb by pulling it straight up. See figure 7.
- Insert a new 24V, 5-watt bulb.
- Replace the light cover.

FUSES

In the event a fuse should cease to work:

- Remove the fuse by pulling it up and out of its slot.
- Examine the fuse to be sure it is blown. See figures 8 and 9.
- Insert a new fuse of the proper rating.
- Turning signals and rear lights — replace with a 3-amp fuse. Each light bulb has its own fuse.
- Control console assembly — replace with a 3-amp fuse.
- Charging system — replace with a 5-amp fuse.



WARNING! The replacement fuse must exactly match the rating of the new fuse. Failure to use properly rated fuses may cause damage to the electrical system and may result in personal injury.

STORAGE

If you plan on not using your Hurricane PMV for an extended period of time, it is best to:

- Fully charge its batteries prior to storage.
- Disconnect the battery harnesses from the electronics module.
- Store your Hurricane PMV in a warm dry environment.
- Avoid storing your Hurricane PMV where it will be exposed to temperature extremes.



WARNING! Always protect batteries from freezing temperatures and never charge a frozen battery. This damages the battery and can cause personal injury.

For prolonged storage, you may wish to place several boards under the frame of your Hurricane PMV to raise the Hurricane PMV off of the ground. This takes the weight off of the tires and reduces the possibility of flat spots developing on the areas of the tires contacting the ground.

XIII. WARRANTY

THREE-YEAR LIMITED WARRANTY

Three years on all structural frame components; including platform, fork, seat post, and frame.

Three-year prorata drive train warranty; including transaxle, motor, and brake.

- First year: 100% replacement of parts cost
- Second year: 67% replacement of parts cost
- Third year: 50% replacement of parts cost

THREE-YEAR WARRANTY EXCEPTIONS

Transaxle: In cases where there is an increase in the operational noise level, the warranty does not apply. (The increase in operational noise level usually occurs due to abusive and excessive strain on the PMV.)

Motor brake: Three-year warranty for the electrical function of the motor brake. Brake pads are a wear item and are not warranted.

ONE-YEAR LIMITED WARRANTY

For one (1) year from the date of purchase, Pride will repair or replace at our option to the original purchaser, free of charge, any part or electronic component found upon examination by an authorized representative of Pride to be defective in material and/or workmanship.

The battery is warranted by the battery manufacturer (six-month limited warranty). The battery is not warranted by Pride.

Warranty service can be performed by Pride or by an authorized Pride Provider. Do not return faulty parts to Pride without prior consent. All transportation costs and shipping damage incurred while submitting parts for repair or replacement are the responsibility of the original purchaser.

WARRANTY EXCLUSIONS

- ABS plastic shrouds and footrest covers (wear items and not warranted)
- Batteries (the battery manufacturer provides a 6 month limited warranty)
- Tires and tire tubes (wear items and not warranted)
- Upholstery and seating (wear items and not warranted)
- Repairs and/or modifications made to any part of the PMV without specific and prior consent from Pride
- Circumstances beyond the control of Pride
- Damage caused by: battery fluid spillage or leakage, abuse, misuse, accident, or negligence, improper operation, maintenance, or storage, commercial use or use other than normal
- Labor, service calls, shipping, and other charges incurred for repair of the product

There is no other express warranty.

Implied warranties, including those of merchantability and fitness for a particular purpose, are limited to one (1) year from the date of original purchase and to the extent permitted by law. Any and all implied warranties are excluded. This is the exclusive remedy. Liabilities for consequential damages under any and all warranties are excluded.

Some states do not allow limitations on how long an implied warranty lasts or do not allow the exclusion of limitation of incidental or consequential damages. So, the above limitation or exclusion may not apply to you.



Pride
Mobility Products Corp.

182 Susquehanna Ave.
Exeter, PA 18643
1-800-800-8586

www.pridemobility.com