



CVA-1003R

Mobile Media Station

- **OWNER'S MANUAL**
Please read before using this equipment.
- **BEDIENUNGSANLEITUNG**
Lesen Sie diese Bedienungsanleitung bitte vor Gebrauch des Gerätes.
- **MODE D'EMPLOI**
Veuillez lire avant d'utiliser cet appareil.
- **MANUAL DE OPERACIÓN**
Léalo antes de utilizar este equipo.
- **ISTRUZIONI PER L'USO**
Si prega di leggere prima di utilizzare il attrezzatura.
- **ANVÄNDARHANDLEDNING**
Innan du använder utrustningen bör du läsa igenom denna användarhandledning.

ALPINE ELECTRONICS, INC.
Tokyo office: 1-1-8 Nishi Gotanda,
Shinagawa-ku,
Tokyo 141-8501, Japan
Tel.: (03) 3494-1101

ALPINE ELECTRONICS OF AMERICA, INC.
19145 Gramercy Place, Torrance,
California 90501, U.S.A.
Tel.: 1-800-ALPINE-1 (1-800-257-4631)

ALPINE ELECTRONICS OF CANADA, INC.
Suite 203, 7300 Warden Ave. Markham,
Ontario L3R 9Z6, Canada
Tel.: 1-800-ALPINE-1 (1-800-257-4631)

ALPINE ELECTRONICS OF AUSTRALIA PTY. LTD.
6-8 Fiveways Boulevard Keysborough,
Victoria 3173, Australia
Tel.: (03) 9769-0000

ALPINE ELECTRONICS GmbH
Kreuzerkamp 7-11 40878 Ratingen, Germany
Tel.: 02102-45 50

ALPINE ITALIA S.p.A.
Via C. Colombo 8, 20090 Trezzano Sul Naviglio
MI, Italy
Tel.: 02-48 47 81

ALPINE ELECTRONICS FRANCE S.A.R.L.
(RCS PONTOISE B 338 101 280)
98, Rue De La Belle Etoile, Z.I. Paris Nord II
B.P. 50016 F-95945, Roissy, Charles De Gaulle
Cedex, France
Tel.: 01-48 63 89 89

ALPINE ELECTRONICS OF U.K., LTD.
13 Tanners Drive, Blakelands, Milton Keynes
MK14 5BU, U.K.
Tel.: 01908-61 15 56

ALPINE ELECTRONICS DE ESPAÑA, S.A.
Portal De Gamarra 36, Pabellón 32
01013 Vitoria (Alava)-Apdo. 133, Spain
Tel.: 34-45-283588

EN

DE

FR

ES

IT

SE

CD changer for CVA-1003R.
 CD-Wechsler für CVA-1003R.
 Changeur CD pour CVA-1003R.
 Cambiador de CD para CVA-1003R.
 Cambia CD per CVA-1003R.
 CD-växlare för CVA-1003R.



CHA-S624

CD changer for CVA-1003R.
 CD-Wechsler für CVA-1003R.
 Changeur CD pour CVA-1003R.
 Cambiador de CD para CVA-1003R.
 Cambia CD per CVA-1003R.
 CD-växlare för CVA-1003R.



CHA-1214

You cannot connect to CVA-1003R.
 Il est impossible de se raccorder au CVA-1003R.
 No es posible conectarlo a CVA-1003R.
 Ein Anschluß an CVA-1003R ist nicht möglich.
 Non è possibile effettuare il collegamento a CVA-1003R.
 Du kan inte ansluta till CVA-1003R.



CHM-S620

Alpine CD Changers Give You More!

More musical selections, more versatility, more convenience.

An Alpine CD Changer adds more musical choices to your sound system. All models except CHM-S620 can be controlled from Alpine head units and deliver excellent sound quality. The CHA-S624 is a high-performance 6-disc changer with a new M DAC, Ai-NET compatibility, Optical Digital Output, 150 Disc Title Memory and CD TEXT. The CHA-1214 Ai-NET model holds 12 discs, and the CHM-S620 M-Bus model is a super-compact 6-disc changer.

Von Alpine CD-Wechslern haben Sie mehr!

Mehr Musikauswahl, mehr Vielseitigkeit, mehr Komfort.

Mit einem Alpine CD-Wechsler erweitern Sie die Musikauswahl Ihres Systems. Sämtliche Modelle außer dem CHM-S620 lassen sich von einer Alpine-Bedieneneinheit aus steuern und liefern hervorragende Klangqualität. Der CHA-S624 ist ein Ai-NET-kompatibler Hochleistungs-Wechsler für 6 CDs mit dem neuen M-DAC, Digitalausgang für Glasfaserkabel, CD-Titelspeicher für 150 Titel und CD-TEXT. Das Ai-NET-Modell CHA-1214 nimmt 12 CDs auf, und der M-Bus-kompatible CHM-S620 ist ein superkompakter Wechsler für 6 CDs.

Changeurs de CD Alpine : vous avez le choix!

Plus de sélections musicales, plus de souplesse, plus de confort.

Un changeur de CD Alpine permet d'augmenter la plage des sélections musicales de votre système embarqué. Tous les modèles, l'exception du CHM-S620, peuvent être contrôlés à partir des autoradios Alpine et offrent une excellente qualité audio. Le modèle CHA-S624 est un changeur 6 disques ultra performant compatible Ai-NET et équipé d'un convertisseur N/A standard, d'une sortie optique numérique, d'une mémoire d'une capacité de 150 titres et de la fonction CD TEXT. Le modèle CHA-1214 Ai-NET peut contenir 12 disques. Le modèle CHM-S620 M-Bus est un changeur 6 disques super compact.

¡Los cambiadores Alpine de CD le ofrecen más!

Más selecciones musicales, más versatilidad y más ventajas.

Un cambiador Alpine de CD añade más opciones musicales a su equipo de sonido. Todos los modelos, excepto el CHM-S620, pueden controlarse desde las unidades principales de Alpine y proporcionar un sonido de calidad excepcional. El modelo CHA-S624 es un cambiador de 6 discos de alto rendimiento con el nuevo DAC "M" y compatibilidad con Ai-NET, salida digital óptica, memoria de títulos de 150 discos y TEXTO CD. El modelo CHA-1214 Ai-NET admite 12 discos y el modelo CHM-S620 Bus-M es un cambiador de 6 discos y tamaño reducido.

I caricatori CD Alpine danno di più!

Più scelta, più versatilità, più comodità.

Un caricatore CD Alpine offre maggiore scelta. Tutti i modelli, eccetto il modello CHM-S620, possono essere controllati tramite le unità di controllo Alpine e producono un suono di qualità eccellente. CHA-S624 è un caricatore a 6 dischi Ai NET compatibile e dotato di un nuovo M DAC, di un'uscita ottica digitale, memorizzazione dei titoli di 150 dischi e CD TEXT. Il modello CHA-1214 Ai NET può contenere un massimo di 12 dischi, mentre il modello CHM-S620 M-Bus è un caricatore a 6 dischi ultra compatto.

Alpines CD-växlare ger mer!

Fler musikval, mer variation, större bekvämlighet.

Med Alpines CD-växlare i systemet får du större musikalisk valfrihet. Alla modeller, utom CHM-S620, kan styras från Alpines huvudenheter och ger enastående ljudkvalitet. CHA-S624 är en högpresterande växlare för 6 skivor med en ny M D/A-omvandlare, kompatibel med Ai-NET, optisk digitalutgång, titelminne för 150 skivor och CD-TEXT. Modellen CHA-1214 Ai-NET rymmer 12 skivor och modellen CHM-S620 M-Bus är en superkompakt växlare för 6 skivor.

Contents

Operating Instructions

WARNING

WARNING	3
CAUTION	3
PRECAUTIONS	3

Basic Operation

Detaching the Front Panel	6
Attaching the Front Panel	6
Initial System Start-Up	6
Turning Power On and Off	7
Raising the Monitor	7
Lowering the Monitor	8
Selecting the Monitor's Opening Position	8
Adjusting the Monitor Viewing Angle	8
Adjusting Volume/Balance (Between Left and Right)/Fader (Between Front and Rear)	9
Turning Loudness On and Off	9
Audio Mute Function	9

Radio Operation

Manual Tuning	10
Automatic Seek Tuning	10
Manual Storing of Station Presets	11
Automatic Memory of Station Presets	11
Tuning to Preset Stations	11

RDS Operation

Setting RDS Reception Mode and Receiving RDS Stations	12
Recalling Preset RDS Stations	13
Receiving RDS Regional (Local) Stations	13
PI SEEK Setting	13
Receiving Traffic Information	14
PTY (Programme Type) Tuning	14
Receiving Traffic Information While Playing CD or Radio	15
Priority PTY (Programme Type)	15
Displaying Radio Text	16

CD Player/Changer Operation (Optional)

Playing Optional CD player or Changer	17
Music Sensor (Skip)	17
Fast Forward and Backward	18
Repeat Play	18
M.I.X. (Random Play)	19
Scanning Programmes	19
Titling Discs	20
Erasing Disc Title	21
Controlling CD Changer	21
Multi-Changer Selection	22

MD Player Operation (Optional)

Playing Mini-Disc (MD)	23
Music Sensor (Skip)	23
Fast Forward and Backward	24
Repeat Play	24
M.I.X. (Random Play)	24

DVD/Video CD/CD Player Operation (Optional)

Playing DVD/Video CD/CD	25
Still/Pause	25
Chapter (DVD)/Track (Video CD) Sensor	25
Fast Forward/Backward	25
Repeat Play	26
Controlling DVD Changer	26

Navigation System Operation (Optional)

Turning on the Navigation Mode	27
--------------------------------------	----

Other Useful Features

Displaying the Title/Text	28
Setting the Bass Control	30
Setting the Treble Control	31
Switching Phase	32
Turning Defeat Mode On and Off	32
Illumination Control	33
Adjusting Brightness of Picture	33
Adjusting Colour of Picture	33
Adjusting Tint of Picture	34
Switching the Background Screen	34
CD Text/MD Title Scroll Setting	35
Setting Automatic Opening/Closing of Monitor	35
Turning Sound Guide Function On or Off	36
Setting the Clock Display	36
Displaying Time	37
Setting Time	37
Selecting Rear Monitor	37
Setting the External Input	38
Switching NTSC/PAL Setting	38
Adjusting Source Signal Levels	39
Switching the Tuner Mode	39
Subwoofer Control On and Off	39
Interrupt Feature (MIX LEVEL)	40
Setting the External Expansion Box	40
Switching Disc Mode	41
Switching Display Modes	41
Recalling Stored Settings	41
Simultaneous Operation	42
Operation with the Monitor Display Closed	43

Information

In Case of Difficulty	44
Specifications	46

Installation and Connections

Warning	47
Caution	47
Precautions	47
Installation	48
Connections	50

WARNING

WARNING

This symbol means important instructions. Failure to heed them can result in serious injury or death.

DO NOT OPERATE ANY FUNCTION THAT TAKES YOUR ATTENTION AWAY FROM SAFELY DRIVING YOUR VEHICLE.

Any function that requires your prolonged attention should only be performed after coming to a complete stop. Always stop the vehicle in a safe location before performing these functions. Failure to do so may result in an accident.

KEEP THE VOLUME AT A LEVEL WHERE YOU CAN STILL HEAR OUTSIDE NOISE WHILE DRIVING.

Failure to do so may result in an accident.

DO NOT DISASSEMBLE OR ALTER.

Doing so may result in an accident, fire or electric shock.

USE THIS PRODUCT FOR MOBILE 12V APPLICATIONS.

Use for other than its designed application may result in fire, electric shock or other injury.

USE THE CORRECT AMPERE RATING WHEN REPLACING FUSES.

Failure to do so may result in fire or electric shock.

DO NOT BLOCK VENTS OR RADIATOR PANELS.

Doing so may cause heat to build up inside and may result in fire.

DO NOT PLACE HANDS, FINGERS OR FOREIGN OBJECTS IN INSERTION SLOTS OR GAPS.

Doing so may result in personal injury or damage to the product.

KEEP SMALL OBJECTS SUCH AS BATTERIES OUT OF THE REACH OF CHILDREN.

Swallowing them may result in serious injury. If swallowed, consult a physician immediately.

USE ONLY IN CARS WITH A 12 VOLT NEGATIVE GROUND.

(Check with your dealer if you are not sure.) Failure to do so may result in fire, etc.

CAUTION

This symbol means important instructions. Failure to heed them can result in injury or material property damage.

HALT USE IMMEDIATELY IF A PROBLEM APPEARS.

Failure to do so may cause personal injury or damage to the product. Return it to your authorized Alpine dealer or the nearest Alpine Service Centre for repairing.

PRECAUTIONS

Temperature

Be sure the temperature inside the vehicle is between +45°C (+113°F) and 0°C (+32°F) before turning your unit on.

Maintenance

If you have problems, do not attempt to repair the unit yourself. Return it to your Alpine dealer or the nearest Alpine Service Station for servicing.

Installation Location

Make sure the CVA-1003R will not be installed in a location subjected to:

- Direct sun and heat
- High humidity and water
- Excessive dust
- Excessive vibrations

Handling the Detachable Front Panel

- Do not expose to rain or water.
- Do not drop or apply shock.



WARNING

Operation of some of the functions of this unit is very complex. Because of this, it was deemed necessary to place these functions into a special screen. This will restrict operation of these functions to times when the vehicle is parked. This ensures the focus of the driver's attention will be on the road and not on the CVA-1003R. This has been done for the safety of the driver and passengers.

The Title Input and SETUP screens cannot be made while the car is moving. The car must be parked and the parking brake must be engaged for the procedure described in the Owner's Manual to be valid. The warning "CAN'T OPERATE WHILE DRIVING," will be displayed if any attempts are made to perform these operations while driving.

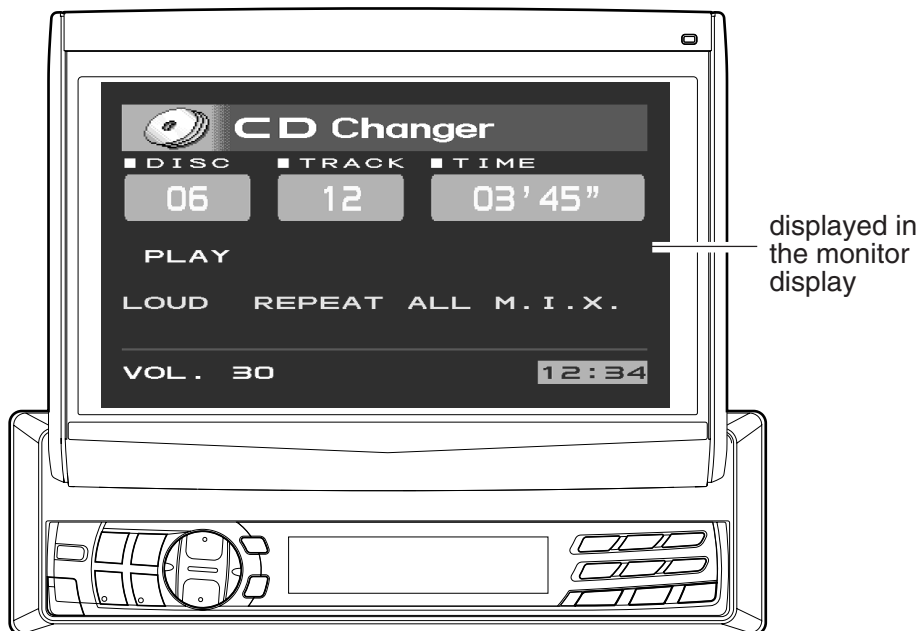
This operation is the same as when selecting sources using the remote control (Optional). When the car is parked, the selection is made as described in the Owner's Manual.

Alpine products equipped with the Ai-NET bus, connected to the CVA-1003R, can be operated from the CVA-1003R. Depending on the products connected, the functions and displays will vary. For details, consult your Alpine dealer.

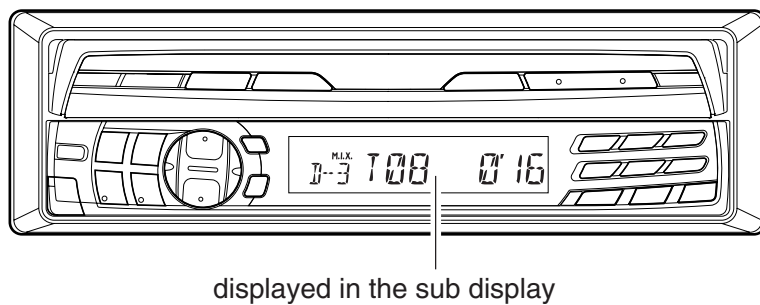
Introduction

You can operate most of the functions of this unit with the monitor display open or closed. For operations with the monitor display closed, refer to page 43.

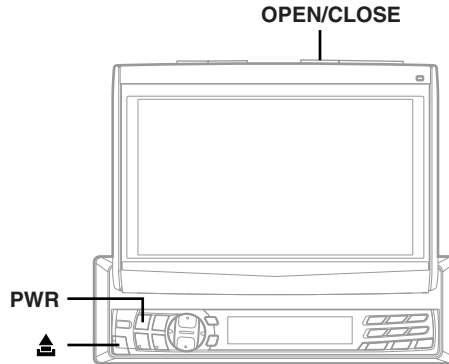
THE MONITOR DISPLAY IS OPEN




THE MONITOR DISPLAY IS CLOSED

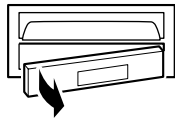


Basic Operation



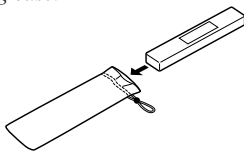
Detaching the Front Panel

- 1 Press and hold the **PWR** (Power) button for more than 2 seconds to turn off the power.
- 2 Press the  (Release) button at lower left side until the front panel pops out.
- 3 Grasp the left side of the front panel and pull it out.



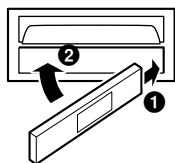
NOTES

- The front panel may become hot in normal usage (especially the connector terminals), this is not a malfunction.
- To protect the front panel, place it in the supplied carrying case.



Attaching the Front Panel

- 1 First, insert the right side of the front panel into the main unit. Align the groove on the front panel with the projections on the main unit.
- 2 Push the left side of the front panel until it locks firmly into the main unit.



NOTE

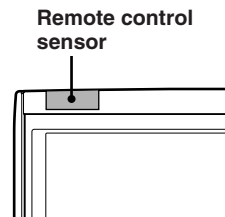
Before attaching the front panel, make sure that there is no dirt or dust on the connector terminals and no foreign object between the front panel and the main unit.

• Compatibility with Factory Steering Wheel Radio Controls

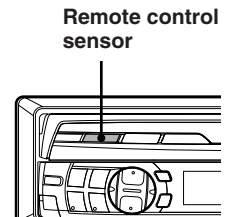
If your vehicle has steering wheel controls for the radio, an optional steering wheel control interface may be available to connect your Alpine radio. For details, contact your Alpine dealer.

• Controllable with Remote Control

This unit can be controlled with an optional Alpine remote control. For details, consult your Alpine dealer. Point the optional remote control transmitter at the remote control sensor.



When the monitor display is open.



When the monitor display is closed.

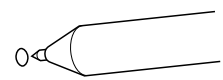
- You can use the remote control even when the monitor display is closed.

Initial System Start-Up

Immediately after installing or applying power to the unit, it should be initialized. To do this, first, remove the detachable front panel. Behind the front panel, to the right of the connector, there is a small hole. Using a pencil or other pointed object, press the Reset switch mounted behind this hole to complete the initialization procedure.



RESET switch



Turning Power On and Off

Some of this unit's functions, cannot be performed while the vehicle is in motion. Be sure to stop your vehicle in a safe location and apply the parking brake, before attempting these operations.

- 1 Press the **PWR** (Power) button to turn on the unit.

The opening screen appears automatically on the monitor display.

NOTE

The unit can be turned on by pressing any other buttons except the **OPEN/CLOSE** and **ANGLE** \blacktriangledown \blacktriangle buttons.

The volume level gradually increases to the previous level you were listening to before the unit was turned off. Press and hold the **PWR** (Power) button for at least 2 seconds to turn off the unit.

NOTES

- After turning the system off, a slight ghost of the image will remain temporarily. This is an effect peculiar to LCD technology and is normal.
- Under cold temperature conditions, the screen may lose contrast temporarily. After a short warm-up period, it will return to normal.
- The CVA-1003R draws minimal current even when its power switch is turned off. If the switched power (ignition) lead of the CVA-1003R is connected directly to the positive (+) post of the vehicle's battery, the battery may be discharged. If this lead is unswitched, it must be disconnected from the battery post should the vehicle be left unused for an extended period of time.

An SPST (Single-Pole, Single-Throw) switch (sold separately) can be added to simplify this procedure. Then, you can simply place it in the **OFF** position when you leave the vehicle. Turn the SPST switch back **ON** before using the CVA-1003R. For connecting the SPST switch, refer to "Connection Diagram of SPST Switch" on page 49.

- Some operation of the unit cannot be performed while the vehicle is in motion. In this case, be sure to first stop your vehicle and apply the parking brake, then perform the operation.

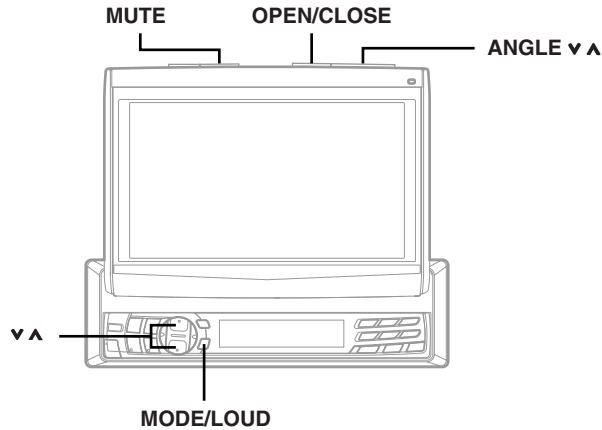
Raising the Monitor

- 1 Press the **OPEN/CLOSE** button. The unit beeps 3 times and raises the monitor automatically.

NOTES

- The CVA-1003R is a precision device. With gentle handling, its unique capabilities can be enjoyed for a long time.
- If the monitor touches an obstacle while it is being raised, the unit will stop raising the monitor immediately. Should this occur, remove the obstacle and press the **OPEN/CLOSE** button again to raise the monitor.
- When the movable monitor is opened, do not place any object on the monitor and be careful not to bump or apply any pressure to the monitor while it is open. This can cause damage to the mechanism.
- Under low ambient temperature conditions, the display may be dark for a short period of time immediately after the power is turned on. Once the LCD has warmed up, the display will return to normal.
- For your safety, some operation of the unit cannot be performed while the vehicle is in motion. In this case, first stop the vehicle and engage the parking brake, then perform the operation.

Basic Operation



Lowering the Monitor

- 1 Press the **OPEN/CLOSE** button. The unit will beep 3 times and lower the monitor automatically.

NOTES

- The CVA-1003R is a precision device. With gentle handling, its unique capabilities can be enjoyed for a long time.
- If the monitor touches an obstacle while it is being lowered, the unit will stop lowering the monitor immediately. Should this occur, remove the obstacle and press the **OPEN/CLOSE** button again to lower the monitor.

Selecting the Monitor's Opening Position

The monitor's opening position has 2 settings.

- 1 Press and hold the **OPEN/CLOSE** button for at least 2 seconds while the monitor is being raised. Each press changes the monitor position back or forth.

Adjusting the Monitor Viewing Angle

Adjust the monitor's angle for better visibility.

- 1 Press the **ANGLE v ▲** buttons to adjust the monitor's angle so the screen will be in the best viewing position. Each press of the buttons produces a beep and changes the screen angle between 40 and 105 degrees. When you press and hold the **v** or **▲** (**ANGLE**) button for at least 2 seconds, the monitor's angle keeps moving until you release the button.

NOTES

- If the monitor touches an obstacle while the angle is being adjusted, the unit will stop the screen immediately. Should this happen, remove the obstacle and press the **ANGLE v** or **▲** button again.
- The screen colour will vary when viewed at certain angles. Adjust the screen angle for the best viewing position.
- If the voltage of the vehicle's battery power is low, the screen may blink when the screen angle is changed. This is normal and not a malfunction.

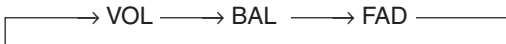
CAUTION

Keep hands (or any other object) away from the display while it is opening or closing to avoid damage or injury. The back of the movable display will get very warm under normal operating conditions. This is not a malfunction. Do not touch.

Basic Operation

Adjusting Volume/Balance (Between Left and Right)/Fader (Between Front and Rear)

- 1 Press the **MODE** button repeatedly to choose the desired mode.
Each press changes the modes as follows:



NOTES

- If the **∇** or **∧** button is not pressed in 5 seconds after selecting the **BALANCE**, or **FADER** mode, the unit automatically returns to the **VOLUME** mode.
 - If the subwoofer is **ON**, its level can also be adjusted using the **MODE** button.
- 2 Press the **∇** and **∧** buttons until the desired sound is obtained in each mode.

Turning Loudness On and Off

Loudness introduces a special low- and high-frequency emphasis at low listening levels. This compensates for the ear's decreased sensitivity to bass and treble sound.

- 1 Press and hold the **LOUD** button for at least 2 seconds to activate or deactivate the loudness mode.
The display shows "LOUD" when the loudness mode is activated.

NOTE

When connecting an external audio processor to the unit, you cannot use this function.

Audio Mute Function

Activating this function will instantly lower the volume level by 20 dB.

- 1 Press the **MUTE** button to activate the MUTE mode. The audio level will decrease by about 20 dB.
Pressing the MUTE button again will bring the audio back to its previous level.

NOTE

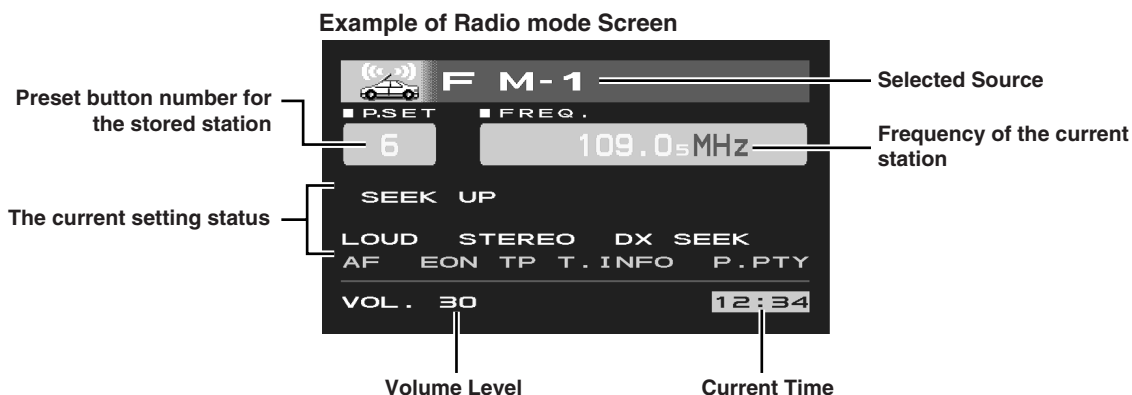
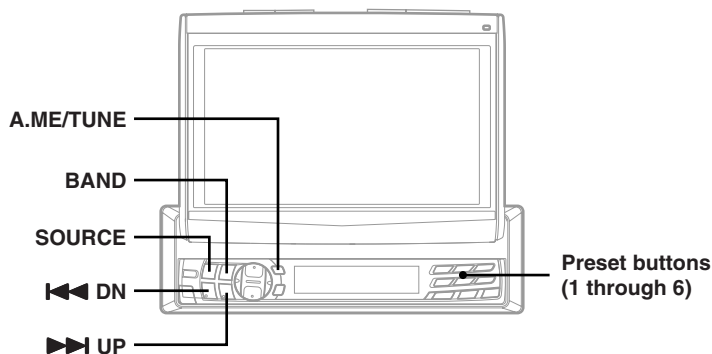
When an external interruption (e.g., vehicle phone) happens, the display shows as follows:

The monitor display: **INT.**

The sub display: **INTERRUPT**

This function is only available when the Interrupt lead of the Auxiliary device is connected to the unit.

Radio Operation



Manual Tuning

- 1 Press the **SOURCE** button until a radio band and frequency appears in the display.
- 2 Press the **BAND** button repeatedly until the desired radio band is displayed. Each press changes the band:
 → FM1 → FM2 → FM3 → MW → LW →
- 3 Press the **TUNE** button repeatedly until "DX SEEK" and "SEEK" disappear from the display.

NOTE

The initial mode is *DX SEEK*.

- 4 Press the **\ll DN** or **\gg UP** button to move downward or upward one step respectively until the desired station frequency is displayed.

NOTE

The *STEREO* indicator appears on the monitor display when a Stereo FM station is tuned in.

Automatic Seek Tuning

- 1 Press the **SOURCE** button until a radio band and frequency appears in the display.
- 2 Press the **BAND** button repeatedly until the desired radio band is displayed. Each press changes the band:
 → FM1 → FM2 → FM3 → MW → LW →
- 3 Press the **TUNE** button to illuminate the DX and SEEK indicators in the display. With the DX (Distance) mode activated, both strong and weak stations will be tuned in the Auto-Seek operation. Press again to return to the local mode. The DX indicator will turn off and the SEEK indicator will remain illuminated. Now, only strong stations will be tuned.
- 4 Press the **\ll DN** or **\gg UP** button to automatically seek for a station downward or upward respectively. The unit will stop at the next station it finds. Press the same button again to seek the next station.

Radio Operation

Manual Storing of Station Presets

- 1 Select the radio band and tune in a desired radio station you wish to store in the preset memory.
- 2 Press and hold any one of the **Preset buttons (1 through 6)** for at least 2 seconds until the station frequency (sub display) or preset number (monitor display) on the display blinks.
- 3 Press the **Preset** button into which you wish to store the station while the frequency (sub display) or preset number (monitor display) is blinking (within 5 seconds).
The display stops blinking once the station has been memorized. The display shows the band, preset No. with a triangle (≡ *) and station frequency memorized.

* displayed in sub display

- 4 Repeat the procedure to store up to 5 other stations onto the same band.
To use this procedure for other bands, simply select the band desired and repeat the procedure.
A total of 30 stations can be stored in the preset memory (6 stations for each band; FM1, FM2, FM3, MW or LW.)

NOTE

If you store a station in a preset memory which already has a station, the current station will be cleared and replaced with the new station.

Automatic Memory of Station Presets

- 1 Press the **SOURCE** button to select the radio mode.
- 2 Press the **BAND** button repeatedly until the desired radio band is displayed.

- 3 Press and hold the **A. ME** button for at least 2 seconds.
The frequency on the display continues to change while the automatic memory is in progress. The tuner will automatically seek and store 6 strong stations in the selected band. They will be stored into presets 1 to 6 buttons in order of signal strength.
When the automatic memory has been completed, the tuner goes to the station stored in the preset location No. 1.

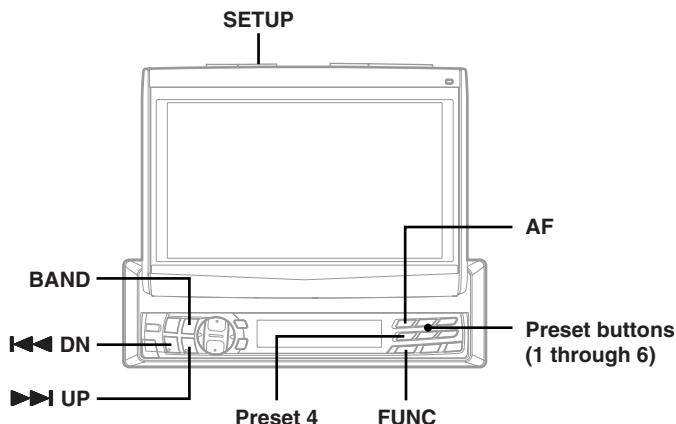
NOTE

If no stations are stored, the tuner will return to the original station you were listening to before the auto memory procedure began.

Tuning to Preset Stations

- 1 Press the **SOURCE** button to select the radio mode.
- 2 Press the **BAND** button repeatedly until the desired band is displayed.
- 3 Press the station **Preset** button that has your desired radio station in memory.
The display shows the band, preset number with a triangle and frequency of the station selected.

RDS Operation



Setting RDS Reception Mode and Receiving RDS Stations

The RDS (Radio Data System) is a radio information system using the 57 kHz subcarrier of regular FM broadcast. The RDS allows you to receive a variety of information such as traffic information, station names, and to automatically re-tune to a stronger transmitter that is broadcasting the same programme.

- 1 Press the **FUNC** button so that the **FUNC** indicator appears in the sub display. To perform the same operation with the monitor display open, press the **FUNC** button only when the "FUNC" indicator lights red in the monitor display.
- 2 Press the **AF** button to activate the RDS mode.
- 3 Press the **◀◀ DN** or **▶▶ UP** button to tune in the desired RDS station.

NOTE

With the monitor display closed, when the **BAND** button is pressed and held for at least 2 seconds while a station name is displayed, the sub display shows the station frequency for 2 seconds.

- 4 Press the **AF** button again to deactivate the RDS mode.
- 5 Press the **FUNC** button to activate the normal mode. The **FUNC** indicator will turn off.

Tips

- When the unit receives the PTY31 (Emergency Broadcast) signal, the unit will show "ALARM" in the display automatically.
- The RDS digital data includes the followings:

PI	Programme Identification
PS	Programme Service Name
AF	List of Alternative Frequencies
TP	Traffic Programme
TA	Traffic Announcement
PTY	Programme Type
EON	Enhanced Other Networks
R.TEXT	Radio Text Information

Recalling Preset RDS Stations

- 1 Press the **FUNC** button so that the FUNC indicator appears in the sub display. To perform the same operation with the monitor display open, press the **FUNC** button only when the "FUNC" indicator lights red in the monitor display.
- 2 Press the **AF** button to activate the RDS mode. The display shows "AF" when the RDS mode is activated.
- 3 Press the **FUNC** button to activate the normal mode. The FUNC indicator will turn off.
- 4 Make sure that the FUNC indicator light goes out, then press the **preset** button in which your desired RDS station is preset. If the preset station's signal is weak, the unit automatically searches and tunes to a stronger station in the AF (Alternative Frequencies) list.
- 5 If the preset station and the stations in the AF list cannot be received:
When the PI SEEK setting is on (refer to "PI SEEK Setting" on this page), the unit searches again for a station in the PI (Programme Identification) list.
If there are still no stations receivable in the area, the unit displays the frequency of the preset station and the preset indicator disappears.
If the signal level of the Regional (Local) station being tuned becomes too weak to receive, press the same preset button to tune in a Regional station in other district.

NOTE

For presetting the RDS stations, refer to the Radio Operation section. The RDS stations can be preset in the FM1, FM2 and FM3 bands only.

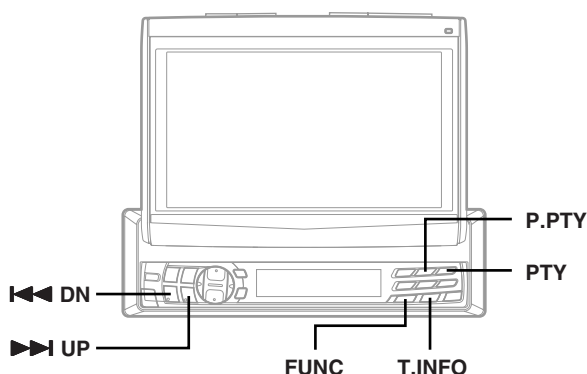
Receiving RDS Regional (Local) Stations

- 1 When the monitor display is open, press and hold the **SETUP** button for at least 2 seconds. The SETUP screen appears.
- 2 Press the **Preset 4** button to activate the RDS setting mode. Press the **Preset 4** button again to select REGIONAL.
- 3 Press the **◀◀ DN** or **▶▶ UP** button to turn off or on the REG (Regional) mode. In the REG OFF mode, the unit automatically keeps receiving the related local RDS station. To set another setting, press the **Preset 4** button or another Preset button.
- 4 After setting is completed, press the **SETUP** button to return to normal mode.

PI SEEK Setting

- 1 When the monitor display is open, press and hold the **SETUP** button for at least 2 seconds. The SETUP screen appears.
- 2 Press the **Preset 4** button to activate the RDS setting mode. Press the **Preset 4** button again to select PI SEEK.
- 3 Press the **◀◀ DN** or **▶▶ UP** button to set PI SEEK to ON/OFF. To set another setting, press the **Preset 4** button or another Preset button.
- 4 After setting is completed, press the **SETUP** button to return to normal mode.

RDS Operation



Receiving Traffic Information

- 1 Press the **T.INFO** button to activate the Traffic Information mode.
- 2 Press the **I◀◀ DN** or **▶▶ UP** button to select your desired traffic information station. When a traffic information station is tuned in, the TP indicator lights up.

Traffic information is heard only when it is being broadcast. If traffic information is not being broadcast, the unit is set in the standby mode. When a traffic information broadcast begins, the unit automatically receives it and the monitor display shows "TRF-INFO" during the traffic information broadcast (sub display shows "TRF-INFO" for 2 seconds, then returns to the previous display.)

When traffic information broadcast is over, the unit will automatically set in the standby mode.

- 3 Press the **T.INFO** button to activate the normal mode.

NOTES

- If the traffic information broadcast signal falls below a certain level, the unit remains in the receiving mode for 1 minute. If the signal remains below a certain level for over 1 minute, the "T.INFO" indicator blinks.
- If you do not want to listen to the traffic information being received, lightly press the T.INFO button to skip that traffic information message. The T.INFO mode will remain in the ON position to receive the next traffic information message.
- If the volume level is changed while receiving traffic information, the changed volume level will be memorized. When traffic information is received next time, the volume level will be automatically adjusted to the level memorized.
- In the T.INFO mode, the SEEK tuning selects only the TP stations.

PTY (Programme Type) Tuning

- 1 Press the **FUNC** button so that the FUNC indicator appears in the sub display. To perform the same operation with the monitor display open, press the **FUNC** button only when the "FUNC" indicator lights red in the monitor display.

- 2 Press the **PTY** button to activate the PTY mode, while the unit is in Radio (FM Receiving) mode. The Programme Type of the station being currently received will be displayed for 5 seconds.

If there is no receivable PTY broadcast, "NO PTY" will be displayed for 2 seconds.

NOTE

If no button is pressed within 5 seconds after pressing the PTY button, the PTY mode will be automatically cancelled.

- 3 Press the **I◀◀ DN** and **▶▶ UP** buttons within 5 seconds after activating the PTY mode to choose the desired programme type while the PTY (programme type) is being displayed. Each press scrolls the programme type by one.

┌→ LIGHT M → CLASSICS → OTHER M┐
└───┬───┬───┬───┬───┬───┬───┬───┘

- 4 Press the **PTY** button within 5 seconds after selecting the programme type to start searching for a station in the selected programme type. In the sub display, the desired programme type indicator blinks during the search, and lights when a station is found. In the monitor display, "PTY SEEK" is displayed during the search, and the current programme type name appears if the station is found.

If no station is found, "NO PTY" will be displayed for 2 seconds.

- 5 Press the **FUNC** button to activate the normal mode. The "FUNC" indicator will turn off.

Receiving Traffic Information While Playing CD or Radio

- 1 Press the **T.INFO** button repeatedly until the T.INFO indicator appears in the display.
- 2 Press the **◀◀ DN** and **▶▶ UP** buttons to select a traffic information station if necessary.
 - When a traffic information broadcast starts, the unit automatically mutes the CD player or the regular FM broadcast.
 - When the traffic information broadcast finishes, the unit automatically returns to the original source play before the traffic information broadcast began.
 - **When traffic information stations cannot be received:**
 - In the tuner mode:
When the TP signal can no longer be received for over 1 minute, the "T.INFO" indicator blinks.
 - In the CD or MD mode:
When the TP signal can no longer be received, the traffic information station of another frequency will be selected automatically.

NOTE

The receiver is equipped with the EON (Enhanced Other Networks) function in order to keep track of additional alternative frequencies to the AF list. The EON indicator appears while an RDS EON station is being received. If the station being received does not broadcast the traffic information, the receiver automatically tunes in the related station that broadcasts the traffic information when it occurs.

- 3 Press the **T.INFO** button to deactivate the Traffic Information mode. The T.INFO indicator disappears.

NOTE

The unit automatically switches to a traffic information announcement even if you are listening to a source other than the radio or CD/MD player (e.g. DVD player).

Priority PTY (Programme Type)

This function allows presetting of a programme type such as music category, news, etc. You can listen to a programme in the preset programme type as the unit automatically gives priority to the preset programme type when it begins broadcasting, and interrupts the programme you are currently listening. This feature is functional when your unit is set to a mode other than the LW and MW.

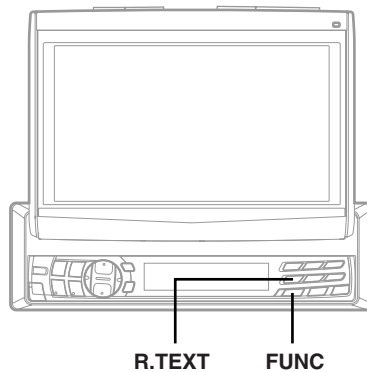
- 1 Press the **FUNC** button so that the FUNC indicator appears in the sub display. To perform the same operation with the monitor display open, press the **FUNC** button only when the "FUNC" indicator lights red in the monitor display.
- 2 Press the **P.PTY** button to activate the PRIORITY PTY mode.
In the sub display, "PRIO PTY" is displayed for 2 seconds and then the programme type for 5 seconds. In the monitor display, "P.PTY" is displayed, and the current programme type name appears. The initial setting is "NEWS."

NOTE

If no button is pressed within 5 seconds after pressing the P.PTY button, the PRIORITY PTY mode is automatically cancelled.

- 3 Press the **◀◀ DN** or **▶▶ UP** button within 5 seconds while "NEWS" is being displayed to choose a desired programme type. Then press **P.PTY** button. The PRIORITY PTY function will activate.
 - 4 Press the **P.PTY** button to activate the PRIORITY PTY mode again.
 - To change the programme category, perform the step 3.
 - To disable the PRIORITY PTY function, press the **P.PTY** button for at least 2 seconds.
- NOTE**
In the PRIORITY PTY function, unlike in the T.INFO function, the volume does not increase during operation.
- 5 Press the **FUNC** button to activate the normal mode. The FUNC indicator will turn off.

RDS Operation



Displaying Radio Text

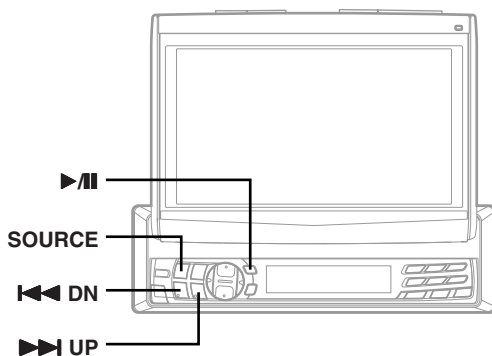
Text messages from a radio station can be scrolled in the display.

- 1 Tune in a radio station that transmits text messages.
- 2 Press the **FUNC** button so that the FUNC indicator appears in the sub display. To perform the same operation with the monitor display open, press the **FUNC** button only when the "FUNC" indicator lights red in the monitor display.
- 3 Press the **R.TEXT** button to activate the Radio Text mode. The display shows "R/T WAIT" for a few seconds. When the "CD Text Scroll Setting" is set to "SCROLL ON" (refer to page 35), the display scrolls. When set to "SCROLL OFF," the scrolling is cancelled. It continues until other operation is performed.
- 4 To cancel the Radio Text mode, press the **R.TEXT** button.
- 5 Press the **FUNC** button to return to the normal operation mode. The "FUNC" indicator disappears from the display.

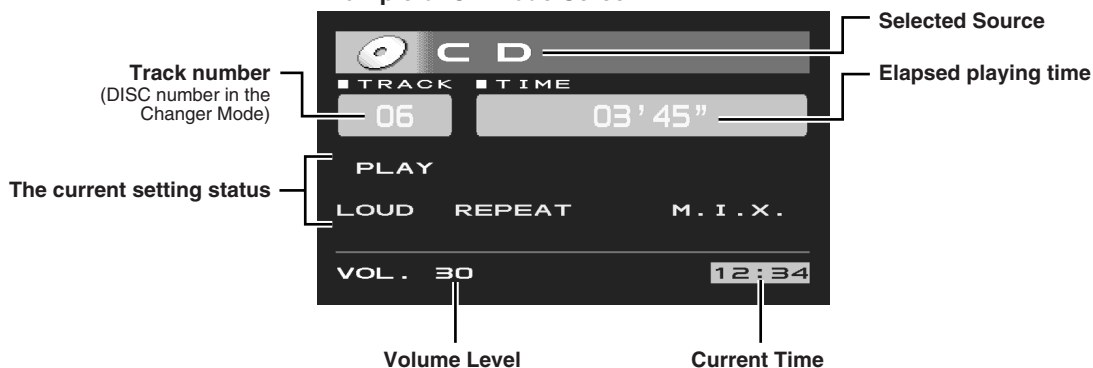
NOTES

- If there is no receivable text message or the unit cannot receive a text message properly, the display shows "NO TEXT" for 2 seconds.
- Operate the unit while the "FUNC" indicator is illuminated.
If no buttons are pressed within 5 seconds, the "FUNC" indicator will turn off.

CD Player/Changer Operation (Optional)



Example of CD Mode Screen



Playing Optional CD Player or Changer

When an optional Alpine CD player or CD changer is connected, you can control it from the CVA-1003R. This section describes operation assuming that an Alpine CD player is connected. (When a CD changer is connected, see page 21 to select your desired disc.)

- 1 Press the **SOURCE** button until the "CD" appears in the display. Insert a CD into the CD player, the player starts playing.
- 2 To pause playback, press the ▶/|| button. Pressing the ▶/|| button again will resume playback.
- 3 To eject the CD, press the **eject** button on the CD player.

Music Sensor (Skip)

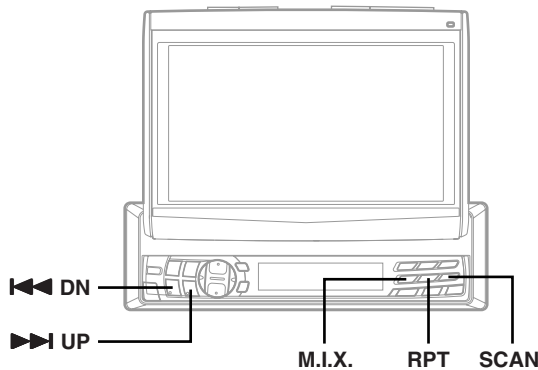
- 1 Momentarily press the ◀◀ **DN** button once during CD play to return to the beginning of the current track. If you wish to access the beginning of a track further back, repeatedly press until you reach the desired track.

Press the ▶▶ **UP** button once to advance to the beginning of the next track. If you wish to access the beginning of a track further ahead, press repeatedly until the desired track is reached.

NOTE

The music sensor feature is functional in the play or pause mode.

CD Player/Changer Operation (Optional)



Fast Forward and Backward

- 1 Press and hold the **◀◀ DN** or **▶▶ UP** button to quickly move backward or forward until you reach the desired section of the track.

Repeat Play

- 1 Press the **RPT** (Repeat) button to play back repeatedly the track being played. The track will be played repeatedly.

Press the **RPT** button again and select OFF to deactivate the repeat play.

NOTES

- If a CD Changer is connected and the **RPT (REPEAT) ALL** mode is selected, the unit repeatedly plays back all tracks on the disc selected.
Displayed in monitor display:

→ REPEAT → REPEAT ALL → (off) →

Displayed in the sub display:

→ RPT → RPT ALL → (off) →

When the monitor display is open: displayed in the monitor display

- In case a 6-disc CD changer is connected:
In CD changer mode, press the **FUNC** button to light the "FUNC" indicator in red and go to step 1.
- In case a 12-disc CD changer is connected:
In changer mode, press the **FUNC** button twice to light the "FUNC" indicator in red and go to step 1.

When the monitor display is closed: displayed in the sub display

- In case a 6-disc CD changer is connected:
In CD changer mode, press the **FUNC** button to illuminate the "FUNC" indicator and go to step 1.
- In case a 12-disc CD changer is connected:
In changer mode, press the **FUNC** button twice to illuminate the "FUNC" indicator and go to step 1.

CD Player/Changer Operation (Optional)

M.I.X. (Random Play)

- 1 Press the **M.I.X.** button in the play or pause mode. The tracks on the disc will be played back in a random sequence. After all the tracks on the disc have been played back once, the player will begin a new random sequence play until the M.I.X. mode is cancelled.

To cancel M.I.X. play, press the **M.I.X.** button again to turn off the M.I.X.

NOTES

- If a CD Changer equipped with the ALL M.I.X. function is connected, ALL M.I.X. will also be selectable.
In this mode, the tracks on all the CDs in the current magazine will be included in the random playback sequence.

→ M.I.X. → ALL M.I.X. → (off) →

When the monitor display is open: displayed in the monitor display

- In case a 6-disc CD changer is connected:
In CD changer mode, press the FUNC button to light the "FUNC" indicator in red and go to step 1.
- In case a 12-disc CD changer is connected:
In changer mode, press the FUNC button twice to light the "FUNC" indicator in red and go to step 1.

When the monitor display is closed: displayed in the sub display

- In case a 6-disc CD changer is connected:
In CD changer mode, press the FUNC button to illuminate the "FUNC" indicator and go to step 1.
- In case a 12-disc CD changer is connected:
In changer mode, press the FUNC button twice to illuminate the "FUNC" indicator and go to step 1.

Scanning Programmes

- 1 Press the **SCAN** button to activate the Scan mode. The first 10 seconds of each track will be played back in succession.

To stop scanning, press the **SCAN** button and deactivate the Scan mode.

NOTES

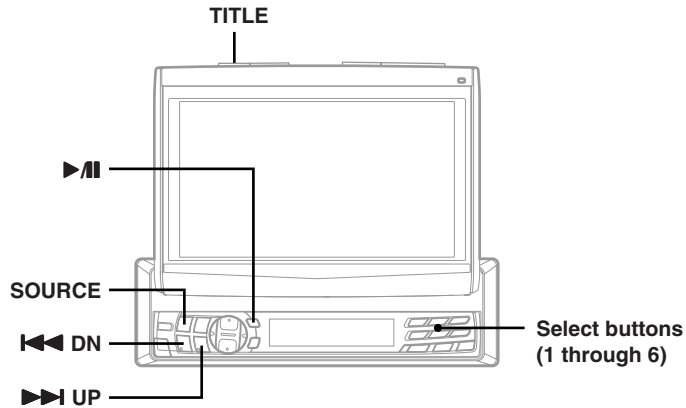
When the monitor display is open: displayed in the monitor display

- In case a 6-disc CD changer is connected:
In CD changer mode, press the FUNC button to light the "FUNC" indicator in red and go to step 1.
- In case a 12-disc CD changer is connected:
In changer mode, press the FUNC button twice to light the "FUNC" indicator in red and go to step 1.

When the monitor display is closed: displayed in the sub display

- In case a 6-disc CD changer is connected:
In CD changer mode, press the FUNC button to illuminate the "FUNC" indicator and go to step 1.
- In case a 12-disc CD changer is connected:
In changer mode, press the FUNC button twice to illuminate the "FUNC" indicator and go to step 1.

CD Player/Changer Operation (Optional)



Titling Discs

It is possible to title your favourite CD's.

NOTE

The Parking Brake must be engaged to access the Title display mode screen. Attempting to access this screen while driving will display the warning-CANT OPERATE WHILE DRIVING.

- 1 When the monitor display is open, press the **TITLE** button and select the title display mode. For details, see "Displaying the Title/Text" (page 28).
- 2 Press and hold the **TITLE** button for at least 3 seconds. The first character will blink.
- 3 Press the **I◀◀ DN** or **▶▶ I UP** button to select the desired letter/numeral/symbol available for naming.
- 4 Press the **▶||** button to store the first character. The first character will stop blinking and the display will automatically advance to the next character. When that character begins to blink, you may choose the next letter or symbol of your title.

- 5 Repeat the steps 3 and 4 above to complete the titling. Pressing the **▶||** button after entering the 8th character, automatically stores the title into memory.

When entering a title of less than 8 characters (for example, 3 character title): After entering 3 characters to complete your title, the 4th character space will be blinking. Go to step 6 to complete the title.

- 6 Press and hold the **TITLE** button for at least 3 seconds to record the title.

NOTES

- The memory can store up to 150 titles for CD changer. If you try to store beyond the limit, the display will show "FULL DATA." At this point, no more titles can be stored.
- The CD Changer title length or memory capacity varies depending upon the model being used.
- When you want to erase a title, enter the "SPC," symbol into all spaces.
- The operations described in steps 3 to 5 must be made within 10 seconds. The input mode will be cancelled if no action is taken for over 10 seconds.
- Removing power from the unit may delete these titles. Use caution when manipulating the power cord.

CD Player/Changer Operation (Optional)

Erasing Disc Title

- 1 When the monitor display is open, press the **TITLE** button to select the disc titling mode. Then, press and hold the button for at least 3 seconds.
- 2 Press and hold the **▶/||** button for at least 2 seconds to activate the title scanning mode. The title in the display will blink.
- 3 Press the **◀◀ DN** or **▶▶ UP** button repeatedly until the disc title you want to erase is displayed.
- 4 Press and hold the **▶/||** button for at least 2 seconds to erase the disc title displayed.
- 5 Press and hold the **TITLE** button for at least 3 seconds to cancel the disc title erasing mode.

NOTE

You cannot erase a CD-TEXT.

- 2 Press the **Disc Select** buttons (1 through 6) corresponding to one of the discs loaded in the CD Changer. The selected disc number appears in the display and CD playback starts.

NOTES

- After selecting the desired disc, you can operate in the same way as for the CVA-1003R CD player. For details, please see the CD Operation section.
- When the "FUNC" indicator is lit in red in the monitor display, or is lit in the sub display, the disc select buttons become nonfunctional.

When a 12-disc CD Changer is connected:

To select discs numbered from 1 to 6, the procedure is the same as for the 6-disc CD Changer. To select discs numbered from 7 to 12, first press the FUNC button. In the sub display, this changes the "D" indicator to "d." The "FUNC" indicator is lit in yellow on the monitor display. Then press the desired Preset button. With the FUNC button activated, the Preset buttons 1 to 6 will represent discs 7 to 12 respectively.

Controlling CD Changer

An optional 6-disc or 12-disc CD Changer may be connected to the CVA-1003R if it is Ai-NET compatible. With a CD Changer connected to the Ai-NET input of the CVA-1003R, the CD Changer will be controllable from the CVA-1003R. Using the KCA-400C (the Multi-Changer Switching device) multiple changers can be controlled by the CVA-1003R. See the Multi-Changer Selection section on page 22 for selecting the CD Changers.

NOTE

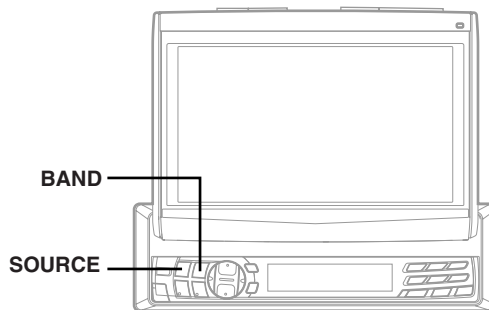
The controls on the CVA-1003R for CD Changer operation are operative only when a CD Changer is connected.

- 1 Press the **SOURCE** button to activate the CD changer mode. The display shows the disc number and track number.

NOTE

The source indicator varies depending on the connected source.

CD Player/Changer Operation (Optional)



Multi-Changer Selection

Alpine's Ai-NET system will support up to 6 CD Changers. When operating two or more changers, the KCA-400C (Multi-Changer Switching device) must be used. If you use 1 Switching device, you can connect up to 4 CD Changers. If you use 2 Switching devices, you can connect up to 6 CD Changers.

- 1 Press the **SOURCE** button on the CVA-1003R to activate the CD Changer mode.

Alternatively, press the **SOURCE** button on the Remote Control (optional) to activate the CD Changer mode. Proceed to step 3 below to select the desired CD Changer.

- 2 Press the **BAND** button on the CVA-1003R or the Remote Control to activate the CD Changer Selection mode.

- 3 The CD Changer Selection mode remains active for 3 seconds after step 2 is performed. Press the **BAND** button until the desired CD Changer indicator appears on the display.

NOTE

If the selected CD Changer is not connected, the display will show "NO CHANGER."

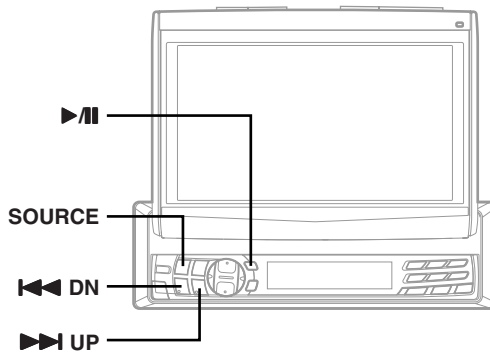
Alternatively press the **BAND** button on the Remote Control until the desired changer indicator appears on the display.

- 4 To operate the selected changer, see "CD Player Operation" section.

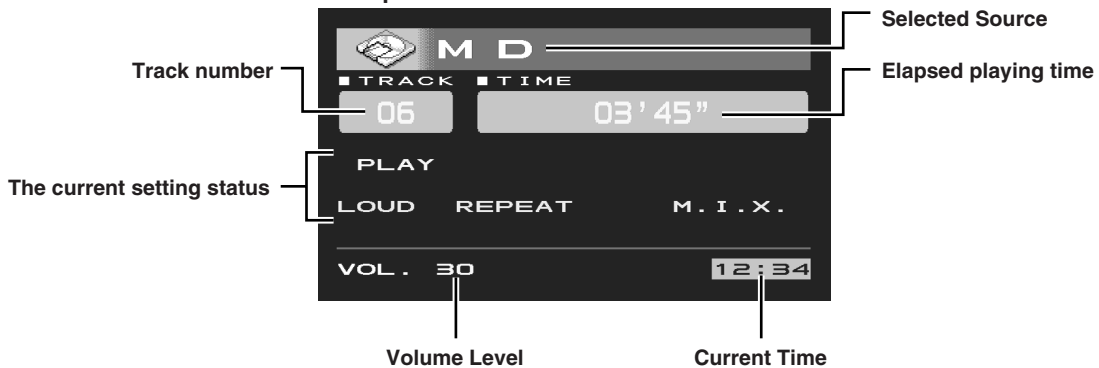
NOTE

If an optional CD/MD/DVD player is connected to the unit, the disc mode can be switched each time you press the BAND button (see "Switching Disc Mode" on page 41).

MD Player Operation (Optional)



Example of MD Mode Screen



Playing Mini-Disc (MD)

When an optional Alpine MD player is connected to the CVA-1003R, you can control the player from the CVA-1003R.
(When the MDA-5051R is connected, MDs can be played back only.)

- 1 Press the **SOURCE** button until the "MD" appears in the display. Insert an MD into the MD player, the player starts to play the MD.

NOTE

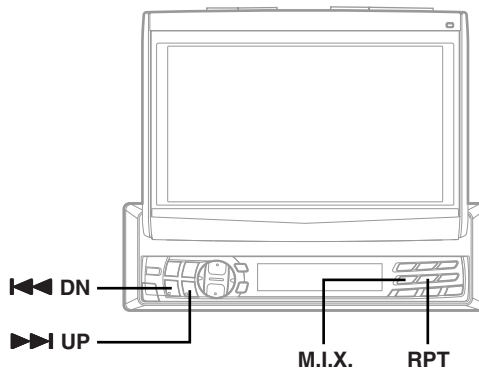
Before inserting an MD, use your finger to feel around the MD cartridge. If you feel any small bumps or irregularities, remove them because these may cause a malfunction or damage to the player.

- 2 Press the ▶/|| button to temporarily pause play. To resume play, press the ▶/|| button for a second time.
- 3 Press the eject (▲) button on the MD player when you want to eject the MD.

Music Sensor (Skip)

- 1 Momentarily press the ◀◀ **DN** button once to return to the beginning of the current track. If you wish to access the beginning of a track further back, repeatedly press until you reach the desired track.
- 2 Press the ▶▶ **UP** button once to advance to the beginning of the next track. If you wish to access the beginning of a track further ahead, press repeatedly until the desired track is reached.

MD Player Operation (Optional)



Fast Forward and Backward

- 1 Press and hold the **◀◀ DN** or **▶▶ UP** button to quickly move backward or forward until you reach the desired section of the track. When you reach the desired section, release the button. The player starts playing from that section.

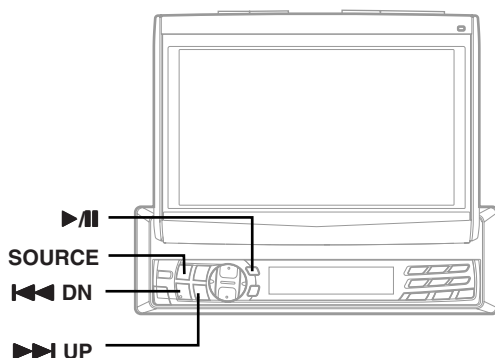
Repeat Play

- 1 Press the **RPT** button to play back repeatedly the track being played. The RPT (Repeat) indicator appears and the track plays repeatedly. Press the **RPT** button repeatedly until the RPT (Repeat) indicator disappears to deactivate the repeat play.

M.I.X. (Random Play)

- 1 Press the **M.I.X.** button in the play or pause mode. The M.I.X. indicator will illuminate and the tracks on the disc will be played back in a random sequence. After all the tracks on the disc have been played back once, the player will begin a new random sequence play until the M.I.X. mode is deactivated. To stop the M.I.X. play, press the **M.I.X.** button repeatedly until the M.I.X. indicator disappears.

DVD/Video CD/CD Player Operation (Optional)



Playing DVD/Video CD/CD

If an optional Alpine DVD/video CD/CD player is connected to the CVA-1003R, you can control it from the CVA-1003R.

⚠ WARNING

It is dangerous (and illegal in many states) for the driver to watch the TV/Video while driving the vehicle. The driver may be distracted from looking ahead and an accident could occur.

Install the CVA-1003R correctly so that the driver cannot watch TV/Video unless the vehicle is stopped and the emergency brake is applied.

If the CVA-1003R is not installed correctly, the driver will be able to watch the TV/Video while driving the vehicle and may be distracted from looking ahead causing an accident. The driver or other people could be severely injured.

- 1 Press the **SOURCE** button to select the DVD mode.
Insert a disc into the DVD/video CD/CD player, the player starts playing.

Still/Pause

- 1 Press the ▶|| button during DVD/video CD/CD play to freeze frame or pause. To resume normal play, press the ▶|| button for a second time.

Chapter (DVD)/Track (Video CD) Sensor

- 1 Lightly press the ◀◀ DN or ▶▶ UP button during DVD/video CD/CD play to return to the beginning of the chapter/track being currently played or advance to the beginning of the next chapter/track respectively.

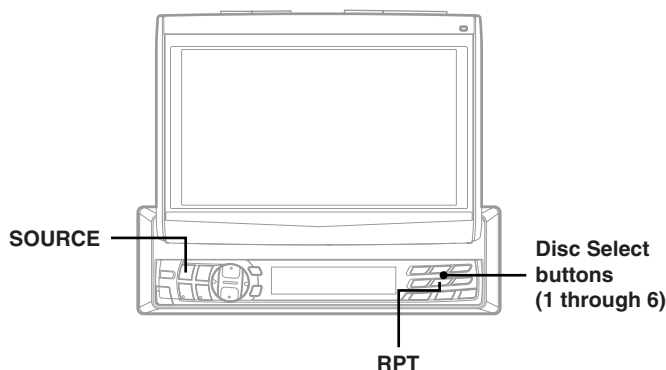
NOTE

The word "chapter or track" means a division of the recorded picture/sound on a DVD/video CD/CD respectively.

Fast Forward/Backward

- 1 Press and hold the ◀◀ DN or ▶▶ UP button during play to fast backward or forward respectively. Release the button when you reach the desired portion you wish to play. Playback starts from that portion.

DVD/Video CD/CD Player Operation (Optional)



Repeat Play

- 1 Press the **RPT** button during play to repeatedly play the chapter/track or title/disc being currently played.

Each press changes the repeat play as follows:

DVD:



Video CD/CD:



NOTES

- The track/disc repeat modes cannot be used on video CDs with playback control (PBC). Press "MENU" to turn the PBC function off. For more details, see the operating instructions of your DVD player.

When the monitor display is open: displayed in the monitor display

- In case a 6-disc DVD changer is connected:
In DVD changer mode, press the FUNC button to light in red the "FUNC" indicator and go to step 1.

When the monitor display is closed: displayed in the sub display

- In case a 6-disc DVD changer is connected:
In DVD changer mode, press the FUNC button to illuminate the "FUNC" indicator and go to step 1.

Controlling DVD Changer

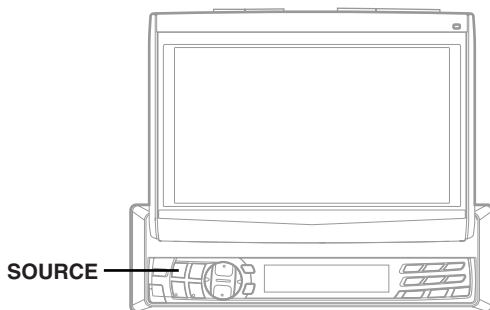
If an optional Alpine DVD Changer is connected to the CVA-1003R, the DVD Changer can be controlled from the CVA-1003R.

- 1 Press the **SOURCE** button. The "DVD Changer" appears in the monitor display. "DVD CHG" is displayed in the sub display.
- 2 Press the **Disc Select buttons (1 through 6)** corresponding to one of the discs loaded in the DVD changer. Playback starts.

NOTES

- After selecting the desired disc, you can operate in the same way as for the DVD/Video CD/CD Player. For details please see the DVD/Video CD/CD Player Operation section.
- When the "FUNC" indicator is lit in red in the monitor display, or is lit in the sub display, the disc select buttons become nonfunctional.

Navigation System Operation (Optional)



Turning on the Navigation Mode

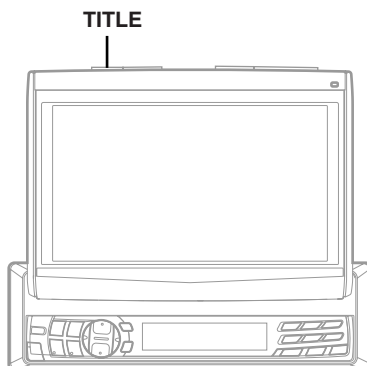
If an optional Alpine Navigation System is connected, the display shows the navigation screen.

- 1 Press the **SOURCE** button to select the Navigation mode.

NOTE

If the Navigation mode does not appear in the display by pressing the SOURCE button, set the external setting of NAV.IN to ON (Refer to "Setting the External Input" on page 38).

Other Useful Features



Displaying the Title/Text

It is possible to display the CD title if the title has been previously inputted. For details, see "Titling Discs" (page 20). You can display disc/track names during playback of CD text discs or MDs with input titles.

- 1** In the MD/CD changer mode, press the **TITLE** button.
The mode will change every time the button is pressed.

- *1 Displayed during playback of a CD with CD Text. "NO TEXT" will be displayed when the CD does not contain CD Text information.
- *2 "NO TITLE" appears if the title has not been input.

About "Title" and "Text"

Title: Lets you input characters for the unit to display. You can enter the name of a CD as a title. You cannot assign titles to MDs with this unit. You can however display MD titles that were assigned when it was recorded. Some characters may not be displayed correctly.

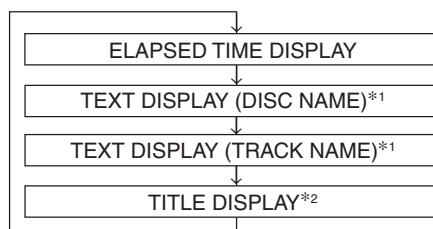
Text: Lets you display characters of a CD text disc.



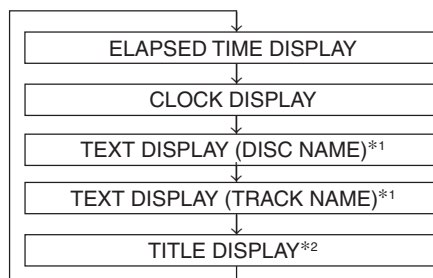
CD text disc mark indicates that the CD has text data.

However, some characters may not be displayed correctly.

CD changer mode:
The monitor display is open.
(displayed in the monitor display)



CD changer mode:
The monitor display is closed.
(displayed in the sub monitor)

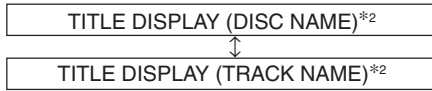


Other Useful Features

MD mode:

The monitor display is open.

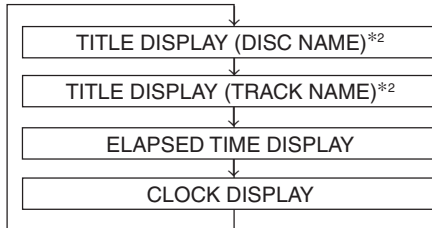
(displayed in the monitor display)



MD mode:

The monitor display is closed.

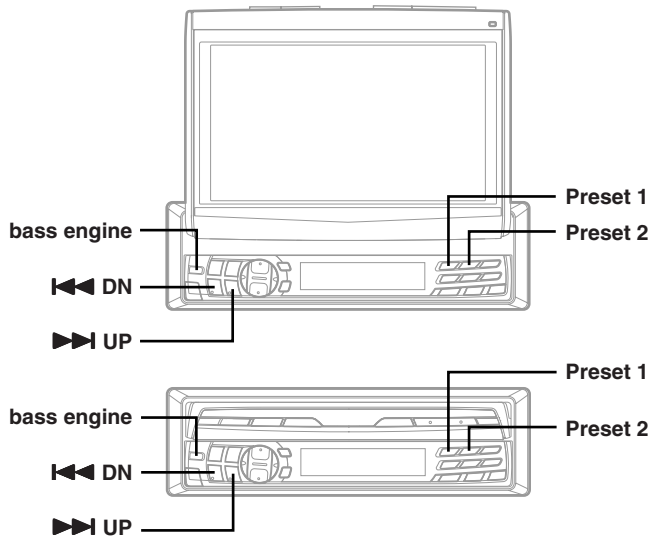
(displayed in the sub monitor)



NOTES

- *Some characters may not be displayed correctly with this device, depending on the character type.*
- *The display may not show all the information of the CD Text depending on the CD changer.*

Other Useful Features



Setting the Bass Control

You can change the Bass Frequency emphasis to create your own tonal preference.

- 1 When the monitor display is open, press the **bass engine** button. Bass engine mode is displayed in the monitor display.
- 2 Press the **Preset 1** button to select the desired mode.
- 3 Press the **I◀◀ DN** or **▶▶ I UP** button to adjust the selected mode.
 - Bass Level : -7~+7
You can emphasize or weaken the bass frequency.
 - Bass centre frequency :
60Hz ↔ 70Hz ↔ 80Hz ↔ 90Hz ↔ 100Hz ↔ 130Hz ↔ 150Hz ↔ 200Hz
Emphasizes the displayed Bass frequency ranges.
 - Bass Band Width (Q-Factor):
WIDE1 ↔ WIDE2 ↔ WIDE3 ↔ WIDE4
(Narrow) ← → (Wide)
Changes the displayed frequency's band width to wide or narrow.
- 4 Press the **bass engine** button to return to the normal mode.

NOTES

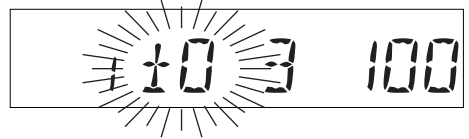
- If no buttons are pressed within 10 seconds, the Bass control setting will be turned off automatically.
- Depending on the type of external audio processors connected to the unit, you may not be able to set some settings.
- The settings of the Bass will be individually memorized for each source (FM, MW, LW and CD) until the setting is changed. Depending on the connected devices, some functions and display indications do not work.

Operation with the monitor display closed

You can set the Bass control with the monitor display closed.

- 1 Press the **bass engine** button.
- 2 Press the **Preset 1** button. BASS is displayed for 2 seconds in the sub display, then the value of BASS Level blinks.
- 3 Each time you press the **Preset 1** button, the blinking shifts.

Example of sub display



- 4 Press the **I◀◀ DN** or **▶▶ I UP** button to adjust the selected mode.

Other Useful Features

Setting the Treble Control

You can change the Treble Frequency emphasis to create your own tonal preference.

- 1 When the monitor display is open, press the **bass engine** button. Bass engine mode is displayed in the monitor display.
- 2 Press the **Preset 2** button to select the desired mode.
- 3 Press the **◀◀ DN** or **▶▶ UP** button to adjust the selected mode.
 - Treble Level : -7~+7
You can emphasize the treble frequency.
 - Treble center frequency:
10.0kHz ↔ 12.5kHz ↔ 15.0kHz ↔ 17.5kHz
Emphasizes the displayed Treble frequency ranges.
- 4 Press the **bass engine** button to return to the normal mode.

NOTES

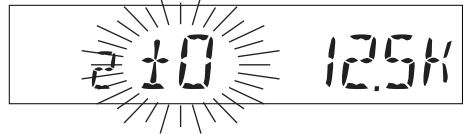
- If no buttons are pressed within 5 seconds, the Treble control setting will be turned off automatically.
- Depending on the type of external audio processors connected to the unit, you may not be able to set some settings.
- The settings of the Treble will be individually memorized for each source (FM, MW, LW and CD) until the setting is changed. Depending on the connected devices, some functions and display indications do not work.

Operation with the monitor display closed

You can set the Treble control with the monitor display closed.

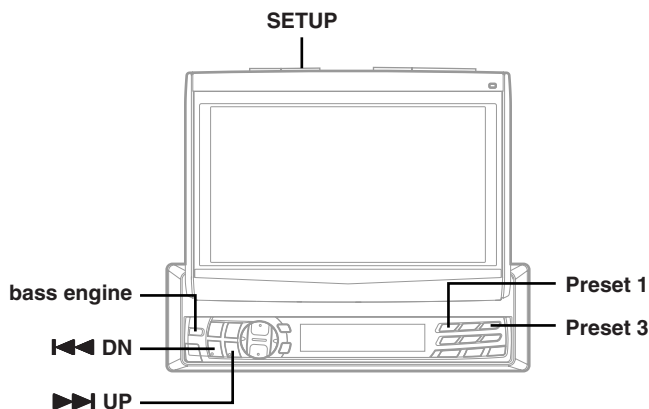
- 1 Press the **bass engine** button.
- 2 Press the **Preset 2** button. TREBLE is displayed for 2 seconds in the sub display, then the value of TREBLE Level blinks.
- 3 Each time you press the **Preset 2** button, the blinking shifts.

Example of sub display

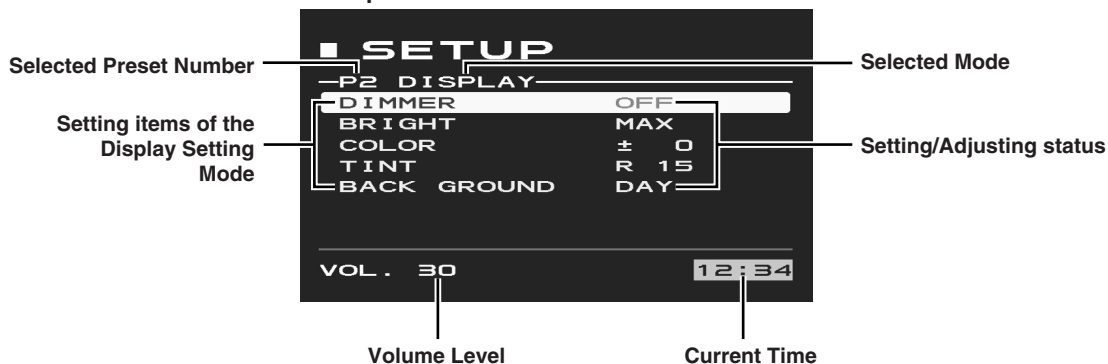


- 4 Press the **◀◀ DN** or **▶▶ UP** button to adjust the selected mode.

Other Useful Features



Example of SETUP Screen



Switching Phase

Before switching Phase, select the Subwoofer ON (refer to "Subwoofer Control On and Off" on page 39).

- 1 Press the **bass engine** button to turn on the Bass engine mode.
- 2 Press the **Preset 3** button to select Subwoofer Phase mode.
- 3 Press the **I◀◀ DN** or **▶▶ UP** button to switch the phase of the subwoofer output.
NORMAL ↔ REVERSE
- 4 Press the **bass engine** button to return to the normal mode.

NOTE

If no buttons are pressed within 10 seconds, the Switching Phase setting will be off automatically.

Turning Defeat Mode On and Off

When the defeat mode is on, the sound signals bypass the surround circuits and directly go to the line output. The equalizer curve, therefore, becomes flat.

- 1 Press and hold the **bass engine** button for at least 2 seconds to select the DEFEAT mode.
- 2 Press the **I◀◀ DN** or **▶▶ UP** button to set DEFEAT to ON/OFF.
- 3 When turning DEFEAT ON, you can return the settings that you adjusted to the default settings.

DEFAULT:

Bass Level	: ± 0
Bass Centre Freq.	: 80 Hz
Bass Band Width	: WIDE1
Treble Level	: ± 0
Treble Centre Freq.	: 10.0 kHz
LOUD	: OFF

- 4 Press and hold the **bass engine** button for at least 2 seconds to return to normal mode.

Other Useful Features

Illumination Control

- 1 When the monitor display is open, press and hold the **SETUP** button for at least 2 seconds. The SETUP screen appears.
- 2 Press the **Preset 1** button to activate the DISPLAY setting mode. Press the **Preset 1** button again to select DIMMER.
- 3 Press the **◀◀ DN** or **▶▶ UP** button to set the Illumination control.
DIMMER AUTO:
In the Auto Dimmer mode, the background illumination of the monitor is synchronized with the instrument illumination of the vehicle (the dimmer input lead should be connected).
DIMMER ON:
Deactivate the Auto Dimmer mode to keep the background illumination bright.
DIMMER OFF:
Keep the background illumination of the monitor dark.

To set another setting, press the **Preset 1** button or another Preset button.

- 4 After setting is completed, press the **SETUP** button to return to normal mode.

Adjusting Brightness of Picture

- 1 When the monitor display is open, press and hold the **SETUP** button for at least 2 seconds. The SETUP screen appears.
- 2 Press the **Preset 1** button to activate the DISPLAY setting mode. Press the **Preset 1** button again to select BRIGHT.

- 3 Press the **◀◀ DN** or **▶▶ UP** button to make the picture darker or brighter. You can adjust the brightness between MIN (-16) and MAX (+16). When it reaches the minimum or maximum point, the display shows "MIN" or "MAX" respectively.

To set another setting, press the **Preset 1** button or another Preset button.

- 4 After setting is completed, press the **SETUP** button to return to normal mode.

NOTE

The brightness setting for the Blue screen background and the brightness of the Picture source (AUX/DVD/NAV.) will be individually memorized.

Adjusting Colour of Picture

Colour adjustment can be made only in the navigation, DVD, AUX1 and AUX2 modes. Colour adjustment cannot be made if a Navigation system with the RGB feature is connected.

- 1 When the monitor display is open, press and hold the **SETUP** button for at least 2 seconds. The SETUP screen appears.
- 2 Press the **Preset 1** button to activate the DISPLAY setting mode. Press the **Preset 1** button again to select COLOR.
- 3 Press the **◀◀ DN** or **▶▶ UP** button to make the colour of the picture brighter or darker respectively to get your desired colour. You can adjust the colour between MIN (-16) and MAX (+16). When it reaches the minimum or maximum point, the display shows "MIN" or "MAX" respectively.

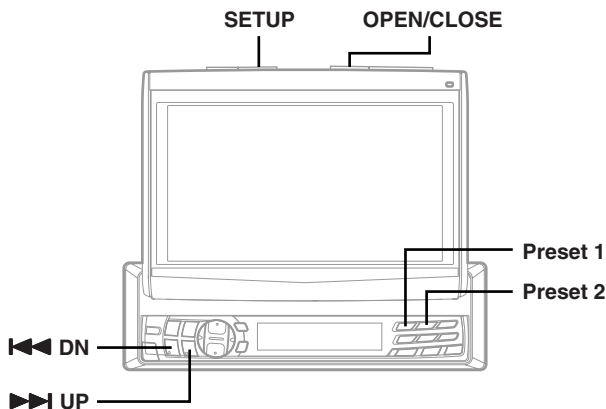
To set another setting, press the **Preset 1** button or another Preset button.

- 4 After setting is completed, press the **SETUP** button to return to normal mode.

NOTE

The Colour setting for the Blue screen background and the Colour of the Picture source (AUX/DVD/NAV.) will be individually memorized.

Other Useful Features



Adjusting Tint of Picture

Tint adjustment can be made only in the navigation, DVD, AUX1 and AUX2 modes. Tint adjustment cannot be made if a Navigation system with the RGB feature is connected.

- 1 When the monitor display is open, press and hold the **SETUP** button for at least 2 seconds. The **SETUP** screen appears.
- 2 Press the **Preset 1** button to activate the **DISPLAY** setting mode. Press the **Preset 1** button again to select **TINT**.
- 3 Press the **◀◀ DN** or **▶▶ UP** button to adjust the Tint (between -16 and +16). When it reaches the minimum or maximum point, display shows "R MAX" or "G MAX" respectively.
To set another setting, press the **Preset 1** button or another Preset button.
- 4 After setting is completed, press the **SETUP** button to return to normal mode.

NOTE

The **TINT** setting for the Blue screen background and the **TINT** of the Picture source (AUX/DVD/NAV.) will be individually memorized.

Switching the Background Screen

- 1 When the monitor display is open, press and hold the **SETUP** button for at least 2 seconds. The **SETUP** screen appears.
- 2 Press the **Preset 1** button to activate the **DISPLAY** setting mode. Press the **Preset 1** button again to select **BACK GROUND**.
- 3 Press **◀◀ DN** or **▶▶ UP** button to select the desired settings.
AUTO : synchronizes the Dimmer mode setting. When you turn on/off your interior car light, the DAY/NIGHT switches automatically when the Dimmer mode is set to Auto. When set to ON, the background screen is set to NIGHT (dark blue). When set to OFF, the background screen is set to DAY (light blue).
NIGHT : sets the background screen colour to dark blue.
DAY : sets the background screen colour to light blue.
To set another setting, press the **Preset 1** button or another Preset button.
- 4 After setting is completed, press the **SETUP** button to return to normal mode.

Other Useful Features

CD Text/MD Title Scroll Setting

When connecting to Alpine's CD/MD player or CD changer, the disc or track name recorded on the disc will scroll. This scrolling feature is available only with text compatible CDs and MDs pre-recorded with title. The scrolling feature will work for titles that were input manually.

- 1 Press and hold the **SETUP** button for at least 2 seconds.
- 2 Press the **Preset 2** button to select GENERAL Setting mode. Press the **Preset 2** button to select SCROLL.
- 3 Press the **◀◀ DN** or **▶▶ UP** button and select SCROLL ON or SCROLL OFF.
 - SCROLL ON: the display of CD text or MD title is scrolled continuously.
 - SCROLL OFF: the display is scrolled only when a disc is loaded or when a track is changed.
- 4 When the setting is completed, press the **SETUP** button to return to normal mode.

NOTE

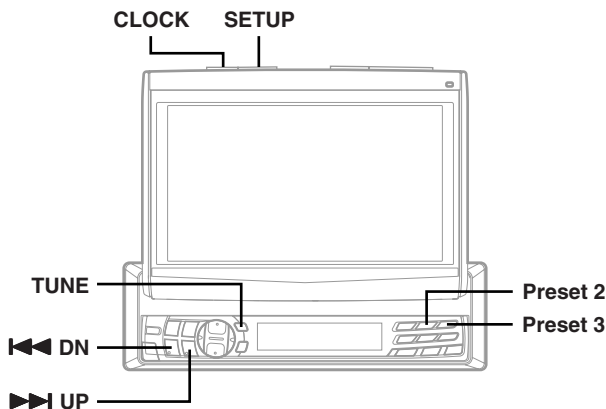
The unit scrolls only CD text names and MD title.

Setting Automatic Opening/ Closing of Monitor

When the Automatic Opening/Closing mode is "AUTO," the monitor automatically opens when the ignition key is turned to the "ACC" or "ON" position. The monitor automatically closes when the ignition key is turned OFF.

- 1 When the monitor display is open, press and hold the **SETUP** button for at least 2 seconds. The SETUP screen appears.
- 2 Press the **Preset 2** button to activate the GENERAL setting mode. Press the **Preset 2** button again to select AUTO OPEN.
- 3 Press the **◀◀ DN** or **▶▶ UP** button to set the Auto Opening mode.
To set the Auto Opening mode OFF, press the **◀◀ DN** or **▶▶ UP** button. If set to the "OFF" position, the monitor should be manually opened or closed by pressing the **OPEN/CLOSE** button.
To set another setting, press the **Preset 2** button or another Preset button.
- 4 After setting is completed, press the **SETUP** button to return to normal mode.

Other Useful Features



Turning Sound Guide Function On or Off

The Sound Guide function will give audible feedback with a beep sound when a button on the unit is pressed to acknowledge the receipt of the signal from the button.

- 1 When the monitor display is open, press and hold the **SETUP** button for at least 2 seconds. The **SETUP** screen appears.
- 2 Press the **Preset 2** button to activate the **GENERAL** setting mode. Press the **Preset 2** button again to select **BEEP**.
- 3 Press the **I<<< DN / >>> UP** button to activate/diactivate the Sound Guide mode. If you turn off the Sound Guide mode, the sound guide beep will not be produced when a button on the unit is pressed.
To set another setting, press the **Preset 2** button or another Preset button.
- 4 After setting is completed, press the **SETUP** button to return to normal mode.

Setting the Clock Display

- 1 When the monitor display is open, press and hold the **SETUP** button for at least 2 seconds. The **SETUP** screen appears.
- 2 Press the **Preset 2** button to select **GENERAL** setting mode. Press the **Preset 2** button again to select **CLOCK DISP**.
- 3 Press the **I<<< DN** or **>>> UP** button to turn off or on the clock display on the monitor display respectively.
To set another setting, press the **Preset 2** button or another Preset button.
- 4 After setting is completed, press the **SETUP** button to return to normal mode.

Other Useful Features

Displaying Time

- 1 When the monitor display is closed, press the **CLOCK** button repeatedly until the clock time is displayed in the sub display.

NOTES

- *Selecting any tuner or CD function while in the clock priority mode will interrupt the time display momentarily. The function selected will be displayed for about 5 seconds before the time returns to the display.*
- *The clock time is not shown on both the monitor display and the sub display simultaneously.*

Setting Time

- 1 When the monitor display is open, press and hold the **SETUP** button for at least 2 seconds. The SETUP screen appears.
- 2 Press the **Preset 2** button to activate GENERAL setting mode. Press the **Preset 2** button again to select CLOCK ADJ., then press the **TUNE** button or **◀◀ DN/▶▶ UP** buttons to appear the clock adjusting menu.
- 3 Press the **Preset 2** button to select HOUR. Then press the **◀◀ DN** or **▶▶ UP** button to adjust the hour.
- 4 Press the **Preset 2** button to select MINUTE. Then press the **◀◀ DN** or **▶▶ UP** button to adjust the minutes.

To quickly set the time to the nearest hour, press the **Preset 2** button to select MINUTE ZERO, then press the **TUNE** button or **◀◀ DN / ▶▶ UP** buttons.

If the minute is ":30" or under, the hour is the current number. If the minute is more than ":30", or if you set the minute to "00", the hour is moved up.

To return to the previous mode, press the **Preset 2** button to select RETURN, then press the **TUNE** button, or the **◀◀ DN** or **▶▶ UP** button.

- 5 After setting is completed, press the **SETUP** button to return to normal mode.

Selecting Rear Monitor

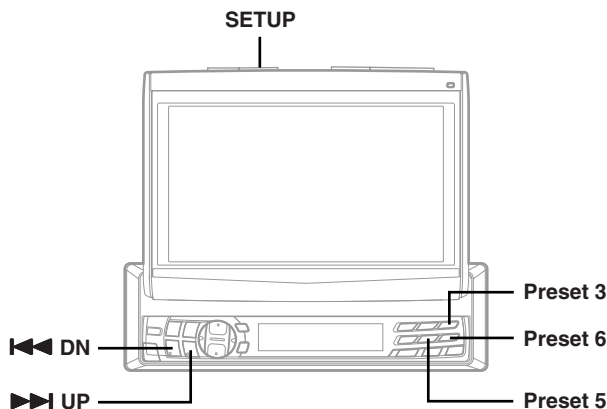
When using the optional expansion BOX (KCE-103V), If AUX, NAV. is to ON in "Setting the External Input" (page 38), and if a rear-seat monitor and navigation system are connected to the CVA-1003R, you can switch the picture/sound of the rear-seat monitor from the CVA-1003R.

- 1 When the monitor display is open, press and hold the **SETUP** button for at least 2 seconds. The SETUP screen appears.
- 2 Press the **Preset 3** button to activate the AUXILIARY setting mode. Press the **Preset 3** button again to select AUX OUT.
- 3 Press the **◀◀ DN** or **▶▶ UP** button to activate the AUX OUT setting mode.
AUX-1 IN : The picture/sound of the device connected to Terminal AUX 1 will be played on the rear-seat monitor.
AUX-2 IN : The picture/sound of the device connected to Terminal AUX 2 will be played on the rear-seat monitor.
NAV. IN : The navigation screen will be displayed and the voice guidance will be produced on the rear-seat monitor if the navigation system is connected.
OFF : mode cancels AUX OUT.
To set another setting, press the **Preset 3** button or another Preset button.
- 4 After setting is completed, press the **SETUP** button to return to normal mode.

NOTE

If a DVD player or DVD changer is connected to the AUX 1 or AUX 2 terminal, the DVD picture appears by performing steps 1 and 2 of "Simultaneous Operation" on page 42. Then, perform steps 1 to 4 on this page so the DVD picture and sound are output.

Other Useful Features



Setting the External Input

- 1 When the monitor display is open, press and hold the **SETUP** button for at least 2 seconds. The SETUP screen appears.
- 2 Press the **Preset 3** button to select the AUXILIARY setting mode. Press the **Preset 3** button to select the desired external input, AUX IN or NAV.IN.
 - If the expansion BOX KCE-103 (not supplied) is connected and the unit is set to Expand Box ON (page 40), you can select AUX-1 IN/AUX-2 IN/NAV.IN.
- 3 Press the **I◀◀ DN** or **▶▶ I UP** button to set ON/OFF.

To set another setting, press the **Preset 3** button or another Preset button.

NOTE

When *¹AUX IN (*¹,*²AUX1 IN, *²AUX2 IN) and NAV.IN are set to ON, the EXTERNAL INPUT is displayed during the source and SIMUL switching.

*¹ When a DVD player or DVD changer is connected, DVD player or DVD changer is displayed in the display.

*² When more than two DVD players or DVD changers are connected, DVD player is displayed in AUX1 IN, and DVD changer is displayed in AUX2 IN.

- 4 After setting is completed, press the **SETUP** button to return to normal mode.

Switching NTSC/PAL Setting

- 1 When the monitor display is open, press and hold the **SETUP** button for at least 2 seconds. The SETUP screen appears.
- 2 Press the **Preset 3** button to activate the AUXILIARY setting mode. Press the **Preset 3** button again to select AUX SIG. When connecting the optional expansion box (KCE-103V), you can select AUX1 SIG. or AUX2 SIG.
- 3 Press the **I◀◀ DN** or **▶▶ I UP** button to set NTSC/PAL.
To set another setting, press the **Preset 3** button or another Preset button.
- 4 After setting is completed, press the **SETUP** button to return to normal mode.

NOTES

- When setting PAL, you cannot adjust the TINT.
- In the Navigation mode, the unit automatically switches to NTSC.

Other Useful Features

Adjusting Source Signal Levels

If the difference in volume level between the CD player and FM radio is too great, adjust the FM signal level as follows.

- 1 When the monitor display is open, press and hold the **SETUP** button for at least 2 seconds. The SETUP screen appears.
- 2 Press the **Preset 5** button to select the FM setting mode. Press the Preset 5 button again to select FM LEVEL.
To set another setting, press the **Preset 5** button or another Preset button.
- 3 Press the **◀◀ DN** or **▶▶ UP** button to select the FM signal level HIGH or LOW to make the signal levels between the FM band and CD player closer.
To set another setting, press the **Preset 5** button or another Preset button.
- 4 After setting is completed, press the **SETUP** button to return to normal mode.

Switching the Tuner Mode

The CVA-1003R incorporates the MAX TUNE PRO for the highest quality tuner audio. Moreover, you can choose between two settings to suit your own personal sound preferences usage.

- 1 When the monitor display is open, press and hold the **SETUP** button for at least 2 seconds. The SETUP screen appears.
- 2 Press the **Preset 5** button to activate the FM setting mode. Press the **Preset 5** button again to select CONDITION.

- 3 Press the **◀◀ DN** or **▶▶ UP** button to select the desired setting.

HI-FI: Sound quality priority setting
NORMAL: Standard setting
STABLE: Noiseless priority setting

To set another setting, press the **Preset 5** button or another Preset button.

- 4 After setting is completed, press the **SETUP** button to return to normal mode.

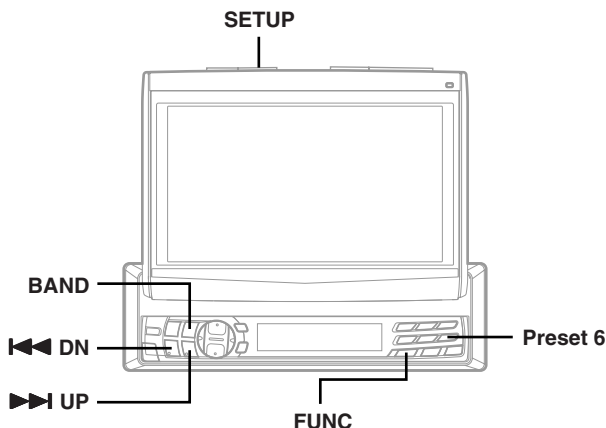
Subwoofer Control On and Off

- 1 When the monitor display is open, press and hold the **SETUP** button for at least 2 seconds.
- 2 Press the **Preset 6** button to set to the SYSTEM setting mode. Press the **Preset 6** button again to select the SUB W. mode.
- 3 Press the **◀◀ DN** or **▶▶ UP** button to select Subwoofer ON or OFF.
To set another setting, press the **Preset 6** button or another Preset button.
- 4 After setting is completed, press the **SETUP** button to return to normal mode.

NOTES

- Initial mode is "Subwoofer ON."
- Set to "Subwoofer OFF" unless the subwoofer is used.
- When the subwoofer is turned on, the subwoofer output level can be adjusted. For more details, refer to the Adjusting Volume/Balance/Fader.

Other Useful Features



Interrupt Feature (MIX LEVEL)

With an Alpine navigation system connected to the CVA-1003R, the voice guidance of the navigation system will be mixed with the radio or CD/MD audio. You can also adjust the volume level of the voice guidance. If you use this unit connected to an external audio processor, use the built in amplifier. You cannot use this function with an external amplifier.

- 1 When the monitor display is open, press and hold the **SETUP** button for at least 2 seconds. The **SETUP** screen appears.
- 2 Press the **Preset 6** button to activate the **SYSTEM** setting mode. Press the **Preset 6** button again to select **MIX LEVEL**.
- 3 Press the **◀◀ DN** or **▶▶ UP** button to adjust the volume level of the navigation system's voice guidance in 7 steps.
To turn off the navigation system's voice guidance, press this button repeatedly until **OFF** appears.
To set another setting, press the **Preset 6** button or another Preset button.

- 4 After setting is completed, press the **SETUP** button to return to normal mode.

NOTES

- The volume level of the audio will be automatically reduced when the voice guidance of the Navigation system starts.
- When the voice guidance of the Navigation system starts to interrupt the audio, the display is automatically changed to the navigation screen.

Setting the External Expansion Box

When using the optional expansion box (KCE-103V), you can use this function.

- 1 When the monitor display is open, press and hold the **SETUP** button for at least 2 seconds. The **SETUP** screen appears.
- 2 Press the **Preset 6** button to activate the **SYSTEM** setting mode. Press the **Preset 6** button again to select **EXPAND BOX**.

Other Useful Features

- 3 Press the **◀◀ DN** or **▶▶ UP** button to set ON/OFF.

Expand Box ON: When connecting the expansion box KCE-103V (not supplied), set to ON.

Expand Box OFF: When not connecting the expansion box KCE-103V (not supplied), set to OFF.

To set another setting, press the **Preset 6** button or another Preset button.

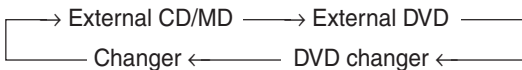
- 4 After setting is completed, press the **SETUP** button to return to normal mode.

Switching Disc Mode

Use this function when connecting the optional CD/MD/DVD player, changer.

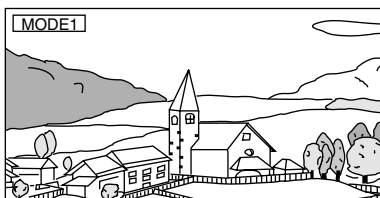
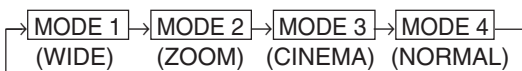
- 1 Press the **BAND** button to switch the Disc mode in the CD/MD/DVD changer mode.

Example

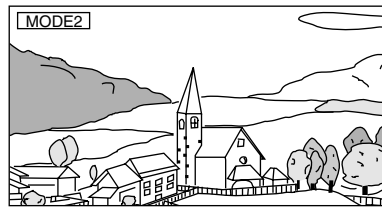


Switching Display Modes

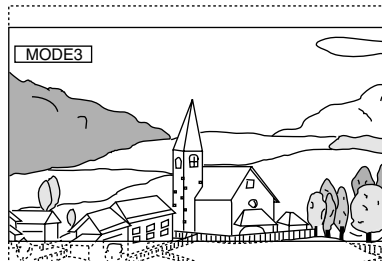
- 1 Press and hold the **FUNC** button for at least 2 seconds in the AUX or NAV. mode. Each press changes the display modes as follows:



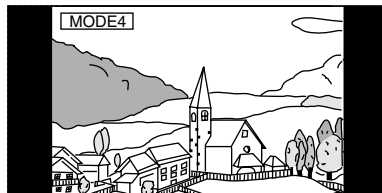
In the Mode 1 (Wide), the monitor displays a normal picture wider to fit in the wide-screen monitor by evenly stretching out the picture horizontally.



In the Mode 2 (Zoom), the monitor displays a normal picture wider to fit in the wide-screen monitor by unevenly stretching out. The centre portion of the picture is stretched out only slightly in order to make the important centre portion of the picture look natural.



In the Mode 3 (Cinema), the monitor displays a normal picture by stretching out the picture horizontally and vertically. This mode is good for displaying a cinema type picture with the proportion of 16 to 9.



In the Mode 4 (Normal), the monitor displays normal picture at the centre of the screen with a vertical black belt at each side.

Recalling Stored Settings

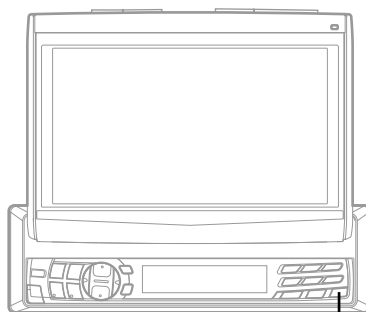
You can recall the stored settings on the audio processor with the optional remote control of this unit with Alpine's audio processor.

- 1 Press the **A.PROC** button on the remote control.
- 2 Within 5 seconds, press the **▼** or **▲** button to recall the stored setting. The sub display shows the setting mode.

NOTE

For further information, refer to the instruction of the remote control (not supplied).

Other Useful Features



V.SEL

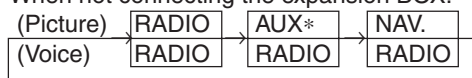
Simultaneous Operation

You can watch the video portion of another source while listening to current source.

- 1 Press the **V.SEL** button to select the video position.

Example

When not connecting the expansion BOX:



When connecting the expansion BOX (KCE-103V):



- * If a DVD player or DVD changer is connected, the DVD picture will be displayed and the voice will be produced.

With the DVD player (DVA-5205P) or DVD changer (DHA-S680P) connected, pressing and holding the V. OUT button on the remote control supplied with the DVD player or DVD changer for at least 2 seconds the picture and voice of the DVD.

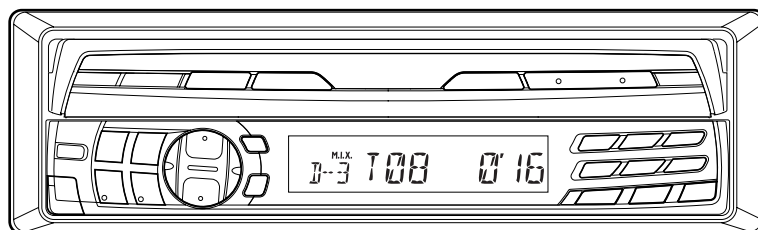
NOTES

- When **AUX IN** (**AUX1 IN**, **AUX2 IN**) and **NAV.IN** are set to **ON**, the **AUX** (**AUX1**, **AUX2**) and **NAV.** mode is displayed (refer to "Setting the External Input" on page 38).
- To switch the sound source, press the **SOURCE** button during **SIMUL**. If the picture and the sound are from the same source, the **SIMUL** function is not cancelled.

- 2 Press and hold the **V.SEL** button for at least 2 seconds to cancel the **SIMUL** function.

Operation with the Monitor Display Closed

You can operate this unit with the monitor display closed for the items below.



Basic Operation

Turning Power On and Off	7
Adjusting Volume/Balance (Between Left and Right)/Fader (Between Front and Rear)	9
Turning Loudness On and Off	9
Audio Mute Function	9

Radio Operation

Manual Tuning	10
Automatic Seek Tuning	10
Manual Storing of Station Presets	11
Automatic Memory of Station Presets	11
Tuning to Preset Stations	11

RDS Operation

Setting RDS Reception Mode and Receiving RDS Stations	12
Recalling Preset RDS Stations	13
Receiving Traffic Information	14
PTY (Programme Type) Tuning	14
Priority PTY (Programme Type)	15
Displaying Radio Text	16

CD Player/Changer Operation (Optional)

Playing Optional CD player or Changer	17
Music Sensor (Skip)	17
Fast Forward and Backward	18
Repeat Play	18
M.I.X. (Random Play)	19
Scanning Programmes	19
Controlling CD Changer	21
Multi-Changer Selection	22

MD Player Operation (Optional)

Playing Mini-Disc (MD)	23
Music Sensor (Skip)	23
Fast Forward and Backward	24
Repeat Play	24
M.I.X. (Random Play)	24

DVD/Video CD/CD Player Operation (Optional)

Playing DVD/Video CD/CD	25
Still/Pause	25
Chapter (DVD)/Track (Video CD) Sensor	25
Fast Forward/Backward	25
Repeat Play	26
Controlling DVD Changer	26

Navigation System Operation (Optional)

Turning on the Navigation Mode	27
--------------------------------------	----

Other Useful Features

Displaying the Title/Text	28
Setting the Bass Control	30
Setting the Treble Control	31
Switching Phase	32
Turning Defeat Mode On and Off	32
Displaying Time	37
Recalling Stored Settings	41

Information

In Case of Difficulty

If you encounter a problem, please review the items in the following checklist. This guide will help you isolate the problem if the unit is at fault. Otherwise, make sure the rest of your system is properly connected or consult your authorized Alpine dealer.

Basic

No function or display.

- Vehicle's ignition is off.
 - If connected following instructions, the unit will not operate with the vehicle's ignition off.
- Improper power lead connections.
 - Check power lead connections.
- Blown fuse.
 - Check the fuse on the battery lead of the unit; replace with the proper value if necessary.
- Internal micro-computer malfunctioned due to interference noise etc.
 - Press the Reset switch with a ballpoint pen or other pointed article.
- Weak or no battery power.
 - Check battery.

No sound or unnatural sound.

- Incorrect setting of volume/balance/fader controls.
 - Readjust the controls.
- Connections are not properly or securely made.
 - Check the connections and firmly connect.

Screen not displayed.

- Brightness control is set at the minimum position.
 - Adjust the Brightness control.
- Temperature in the vehicle is too low.
 - Increase the vehicle's interior temperature to operation temperature range.
- Connections to the DVD/CD player, navigation system are not securely made.
 - Check the connections and firmly connect.

Movement of displayed picture is abnormal.

- Temperature in the vehicle is too high.
 - Allow the vehicle's interior temperature to cool.

Unclear or noisy display.

- Fluorescent plate is worn out.
 - Replace the fluorescent plate.

Navigation system inoperative.

- Connections with the navigation system are improper.
 - Check the connections with the navigation system and connect the cables correctly and firmly.

Unclear picture display.

- Fluorescent tube is exhausted.
 - Replace the fluorescent tube*.

* The fluorescent tube replacement is not free of charge even within the warranty period, for the tube is an article of consumption.

Radio

Unable to receive stations.

- No antenna or open connection in cable.
 - Make sure the antenna is properly connected; replace the antenna or cable if necessary.

Unable to tune stations in the seek mode.

- You are in a weak signal area.
 - Make sure the tuner is in the DX mode.
- If the area you are in is a primary signal area, the antenna may not be grounded and connected properly.
 - Check your antenna connections; make sure the antenna is properly grounded at its mounting location.
- The antenna may not be the proper length.
 - Make sure the antenna is fully extended; if broken, replace the antenna with a new one.

Broadcast is noisy.

- The antenna is not the proper length.
 - Extend the antenna fully; replace it if it is broken.
 - The antenna is poorly grounded.
 - Make sure the antenna is grounded properly at its mounting location.
 - The station signal is weak and noisy.
 - If above solution does not work, tune in another station.
-

Indication for CD Changer

HI-TEMP

- Protective circuit is activated due to high temperature.
 - The indicator will disappear when the temperature returns to within operation range.
-

ERROR - 01

- Malfunction in the CD Changer.
 - Consult your Alpine dealer. Press the magazine eject button and pull out the magazine. Check the indication. Insert the magazine again. If the magazine cannot be pulled out, consult your Alpine dealer.
 - Magazine ejection not possible.
 - Press the magazine eject button. If the magazine does not eject, consult your Alpine dealer.
-

ERROR - 02

- A disc is left inside the CD changer.
 - Press the EJECT button to activate the eject function. When the CD changer finishes the eject function, insert an empty CD magazine into the CD changer to receive the disc left inside the CD changer.
-

NO MAGAZINE (Monitor display)

NO MAGZN (Sub display)

- No magazine is loaded into the CD Changer.
 - Insert a magazine.
-

NO DISC

- No indicated disc.
 - Choose another disc.
-

Indication for Monitor

HI-TEMP

- Protective circuit is activated due to high temperature.
 - The indicator will disappear when the temperature returns to within operation range.
-

Information

Specifications

MONITOR SECTION

Screen Size	6.5"
LCD Type	Transparent type TN LCD
Operation System	TFT active matrix
Number of Picture Elements	336,960 pcs. (1,440 × 234)
Effective Number of Picture Elements	99.99% or more
Illumination System	U-shaped cold cathode fluorescent tube

FM TUNER SECTION

Tuning Range	87.5 – 108.0 MHz
Mono Usable Sensitivity	0.7 μ V
Alternate Channel Selectivity	90 dB
Signal-to-Noise Ratio	65 dB
Stereo Separation	35 dB

MW TUNER SECTION

Tuning Range	531 – 1,602 kHz
Sensitivity (IEC Standard)	25.1 μ V/28 dB

LW TUNER SECTION

Tuning Range	153 – 281 kHz
Sensitivity (IEC Standard)	31.6 μ V/30 dB

GENERAL

Power Requirement	14.4 V DC (11–15 V allowable)
Operating Temperature	+32°F to +113°F (0°C to + 45°C)
Maximum Power Output	45 W × 4
Maximum Pre-Output Voltage	2 V/10 k ohms
Bass	±14 dB at 60 Hz
Treble	±14 dB at 10 kHz
Weight	2.2 kg (4 lbs. 14 oz)

CHASSIS SIZE

Width	178 mm (7")
Height	50 mm (2")
Depth	165 mm (6-1/2")

NOSEPIECE SIZE

Width	170 mm (6-3/4")
Height	46.2 mm (1-13/16")
Depth	20.5 mm (13/16")

NOTES

- *Due to continuous product improvement, specifications and design are subject to change without notice.*
- *The LCD panel is manufactured using an extremely high precision manufacturing technology. Its effective pixel ratio is over 99.99%. This means that there is a possibility that 0.01% of the pixels could be either always ON or OFF.*

Installation and Connections

Before installing or connecting the unit, please read the following and pages 3 and 4 of this manual thoroughly for proper use.

Warning

MAKE THE CORRECT CONNECTIONS.

Failure to make the proper connections may result in fire or product damage.

USE ONLY IN CARS WITH A 12 VOLT NEGATIVE GROUND.

(Check with your dealer if you are not sure.) Failure to do so may result in fire, etc.

BEFORE WIRING, DISCONNECT THE CABLE FROM THE NEGATIVE BATTERY TERMINAL.

Failure to do so may result in electric shock or injury due to electrical shorts.

DO NOT SPLICE INTO ELECTRICAL CABLES.

Never cut away cable insulation to supply power to other equipment. Doing so will exceed the current carrying capacity of the wire and result in fire or electric shock.

DO NOT DAMAGE PIPE OR WIRING WHEN DRILLING HOLES.

When drilling holes in the chassis for installation, take precautions so as not to contact, damage or obstruct pipes, fuel lines, tanks or electrical wiring. Failure to take such precautions may result in fire.

DO NOT USE BOLTS OR NUTS IN THE BRAKE OR STEERING SYSTEMS TO MAKE GROUND CONNECTIONS.

Bolts or nuts used for the brake or steering systems (or any other safety-related system), or tanks should NEVER be used for installations or ground connections. Using such parts could disable control of the vehicle and cause fire etc.

KEEP SMALL OBJECTS SUCH AS BOLTS OR SCREWS OUT OF THE REACH OF CHILDREN.

Swallowing them may result in serious injury. If swallowed, consult a physician immediately.

DO NOT INSTALL IN LOCATIONS WHICH MIGHT HINDER VEHICLE OPERATION, SUCH AS THE STEERING WHEEL OR SHIFT LEVER.

Doing so may obstruct forward vision or hamper movement etc. and results in serious accident.

Caution

HAVE THE WIRING AND INSTALLATION DONE BY EXPERTS.

The wiring and installation of this unit requires special technical skill and experience. To ensure safety, always contact the dealer where you purchased this product to have the work done.

USE SPECIFIED ACCESSORY PARTS AND INSTALL THEM SECURELY.

Be sure to use only the specified accessory parts. Use of other than designated parts may damage this unit internally or may not securely install the unit in place. This may cause parts to become loose resulting in hazards or product failure.

ARRANGE THE WIRING SO IT IS NOT CRIMPED OR PINCHED BY A SHARP METAL EDGE.

Route the cables and wiring away from moving parts (like the seat rails) or sharp or pointed edges. This will prevent crimping and damage to the wiring. If wiring passes through a hole in metal, use a rubber grommet to prevent the wires insulation from being cut by the metal edge of the hole.

DO NOT INSTALL IN LOCATIONS WITH HIGH MOISTURE OR DUST.

Avoid installing the unit in locations with high incidence of moisture or dust. Moisture or dust that penetrates into this unit may result in product failure.

Precautions

- Be sure to disconnect the cable from the (-) battery post before installing your CVA-1003R. This will reduce any chance of damage to the unit in case of a short-circuit.
- Be sure to connect the colour coded leads according to the diagram. Incorrect connections may cause the unit to malfunction or damage to the vehicle's electrical system.
- When making connections to the vehicle's electrical system, be aware of the factory installed components (e.g. on-board computer). Do not tap into these leads to provide power for this unit. When connecting the CVA-1003R to the fuse box, make sure the fuse for the intended circuit of the CVA-1003R has the appropriate amperage. Failure to do so may result in damage to the unit and/or the vehicle. When in doubt, consult your ALPINE dealer.
- The CVA-1003R uses female RCA-type jacks for connection to other units (e.g. amplifier) having RCA connectors. You may need an adaptor to connect other units. If so, please contact your authorized ALPINE dealer for assistance.
- Be sure to connect the speaker (-) leads to the speaker (-) terminal. Never connect left and right channel speaker cables to each other or to the vehicle body.

IMPORTANT

Please record the serial number of your unit in the space provided below and keep it as a permanent record. The serial number plate is located on the bottom of the unit.

SERIAL NUMBER: _____
INSTALLATION DATE: _____
INSTALLATION TECHNICIAN: _____
PLACE OF PURCHASE: _____

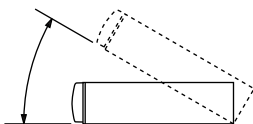
Installation and Connections

Installation

Installing the Monitor

- **Location**

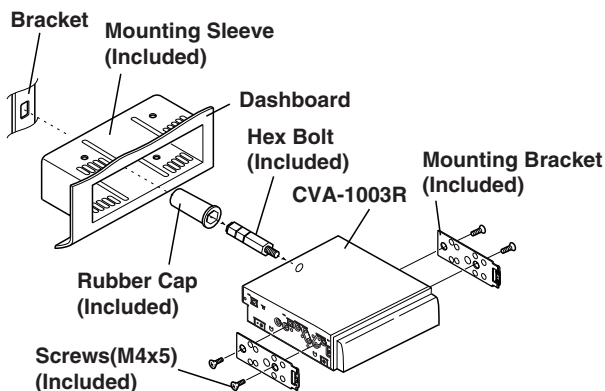
Before final installation, make sure the display will not hamper gear shifting when it is opened and closed in the chosen location.



NOTE

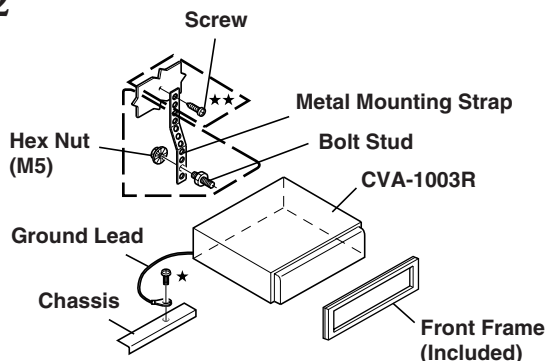
Install at an angle within 30 degrees from horizontal.

1



Slide mounting sleeve from main unit (see Removal Procedure below). Slide the mounting sleeve into the dashboard. Install the supplied bracket to the monitor.

2

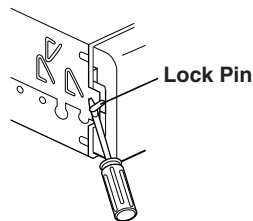


When your vehicle has the Bracket, mount the long hex bolt onto the rear panel of the CVA-1003R and put the Rubber Cap on the hex bolt. If your vehicle does not have the Mounting Support, reinforce the monitor unit with the metal mounting strap (not supplied). Secure the ground lead of the unit to a clean metal spot using a screw (★) already attached to the vehicle's chassis.

NOTE

For the screw marked ★★, use an appropriate screw for the chosen mounting location.

3



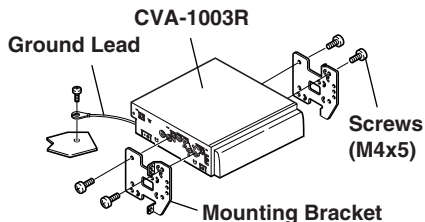
Slide the CVA-1003R into the dashboard. When the unit is in place, make sure the locking pins are fully seated in the down position. This can be done by pressing firmly in on the unit while pushing the locking pin down with a small screwdriver. This ensures that the unit is properly locked and will not accidentally come out from the dashboard. Install the Supplied Front Frame.

Removal

- 1 Use a small screwdriver (or similar tool) to push the locking pins to the "up" position (see above drawing). As each pin is unlocked, gently pull out on the unit to make sure it does not re-lock before unlocking the second pin.
- 2 Pull the unit out, keeping it unlocked as you do so.

<JAPANESE CAR>

Installation using the vehicle's Factory brackets.



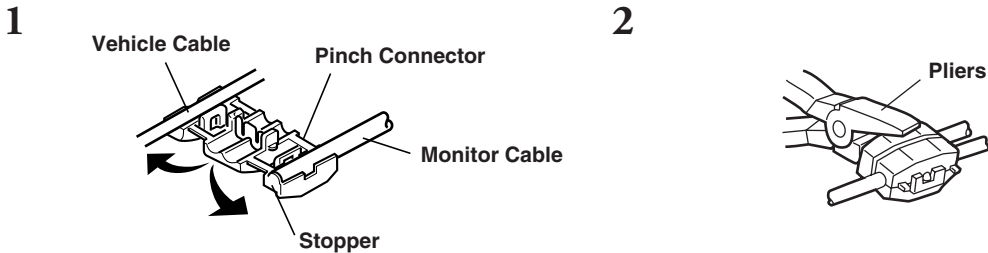
Installation and Connections

To prevent external noise from entering the audio system.

- Locate the unit and route the leads at least 10 cm away from the car harness.
- Keep the battery power leads as far away from other leads as possible.
- Connect the ground lead securely to a bare metal spot (remove any paint, dirt or grease if necessary) of the car chassis.
- If you add an optional noise suppressor, connect it as far away from the unit as possible. Your Alpine dealer carries various noise suppressors, contact them for further information.
- Your Alpine dealer knows best about noise prevention measures so consult your dealer for further information.

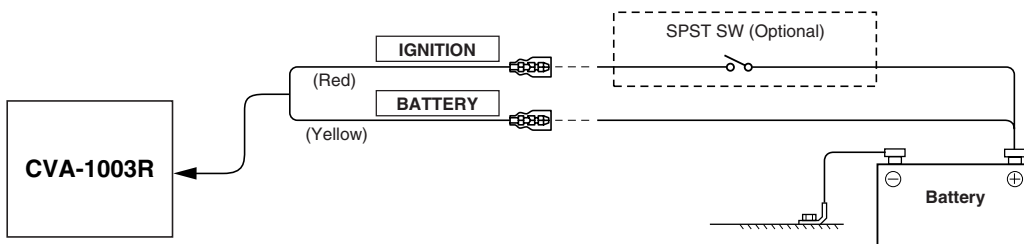
Parking Brake Lead Connection

If necessary, use a pinch connector to connect the parking brake lead, etc.



Connection Diagram of SPST Switch (Sold Separately)

(If the ACC power supply is not available)

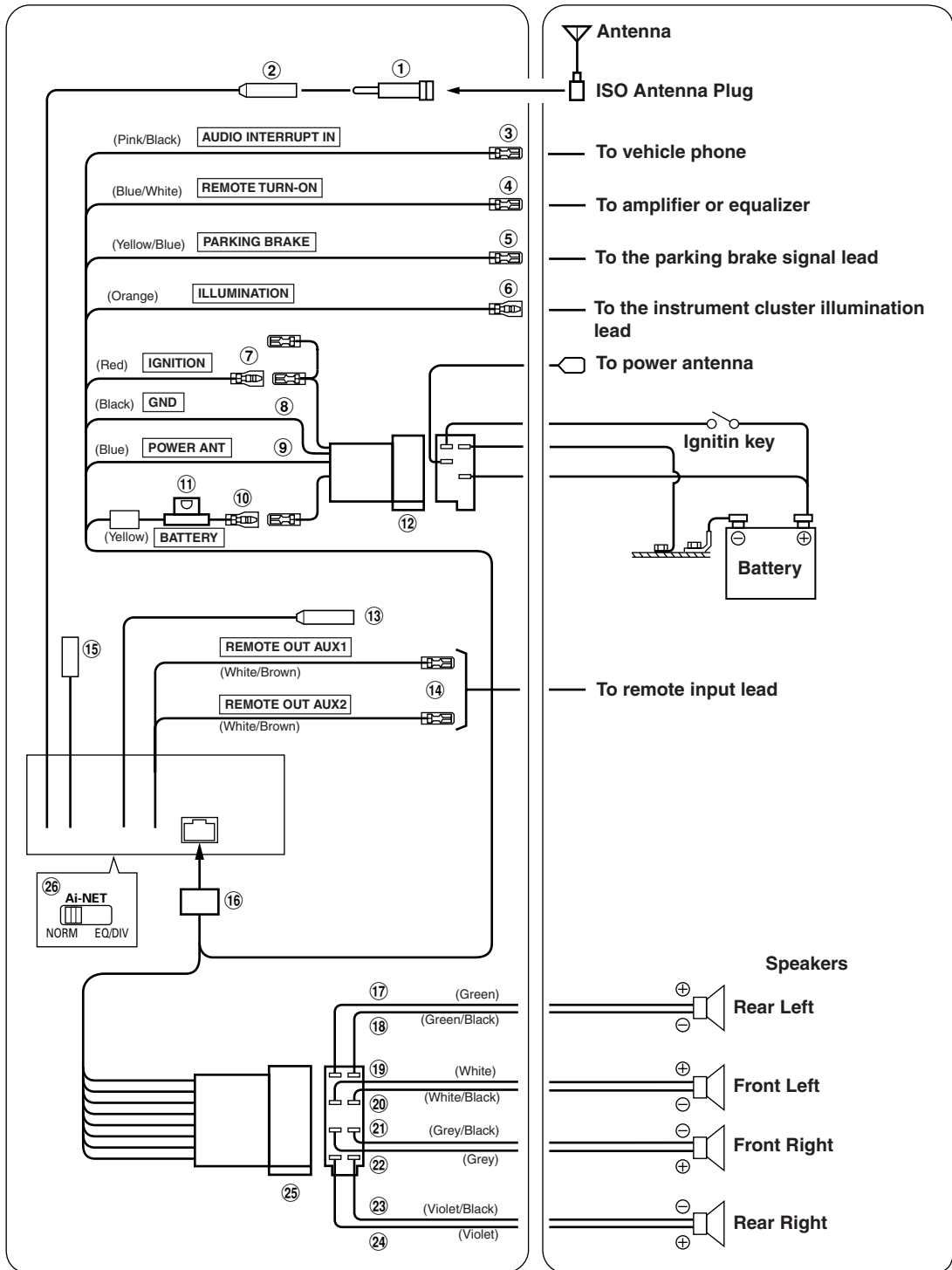


NOTE

If your vehicle has no ACC power supply, add an SPST (Single-Pole, Single-Throw) switch (sold separately). If the switched power (ignition) lead of the CVA-1003R is connected directly to the positive (+) post of the vehicle's battery, the CVA-1003R draws some current (several hundred milliamperes) even when its switch is placed in the OFF position and the battery may be discharged.

Installation and Connections

Basic Connections



Installation and Connections

- ① ISO Antenna Convertor Plug
 - ② Antenna Receptacle
Connect to the supplied ISO antenna convertor plug.
 - ③ Audio Interrupt In Lead (Pink/Black)
Connect this lead to the Audio Interface output of a cellular phone which provides ground shorting when a call is received.
If a device having the interrupt feature is connected, audio will be automatically muted whenever the interrupt signal is received from the device.
 - ④ Remote Turn-On Lead (Blue/White)
Connect this lead to the remote turn-on lead of your amplifier or signal processor.
 - ⑤ Parking Brake Lead (Yellow/Blue)
Connect this lead to the power supply side of the parking brake switch to transmit the parking brake status signals to the CVA-1003R.
 - ⑥ Illumination Lead (Orange)
This lead may be connected to the vehicle's instrument cluster illumination lead. This will allow the backlighting of the CVA-1003R to dim whenever the vehicle's lights are turned on.
 - ⑦ Switched Power Lead (Ignition) (Red)
Connect this lead to an open terminal on the vehicle's fuse box or another unused power source which provides (+) 12V only when the ignition is turned on or in the accessory position.
 - ⑧ Ground Lead (Black)
Connect this lead to a good chassis ground on the vehicle. Make sure the connection is made to bare metal and is securely fastened using the sheet metal screw provided.
 - ⑨ Power Antenna Lead (Blue)
Connect this lead to the +B terminal of your power antenna, if applicable.
- NOTE**
This lead should be used only for controlling the vehicle's power antenna. Do not use this lead to turn on an amplifier or a signal processor, etc.
- ⑩ Battery Lead (Yellow)
Connect this lead to the positive (+) post of the vehicle's battery.

- ⑪ Fuse Holder (15A)
- ⑫ ISO Power Supply Connector
- ⑬ Remote Control Interface Connector
To remote control interface box.
- ⑭ Remote Control Output Lead (White/Brown)
Connect this lead to the remote control input lead. This lead outputs the controlling signals from the remote control.
- ⑮ RGB Input Connector
- ⑯ Power Supply Connector
- ⑰ Left Rear (+) Speaker Output Lead (Green)
- ⑱ Left Rear (-) Speaker Output Lead (Green/Black)
- ⑲ Left Front (+) Speaker Output Lead (White)
- ⑳ Left Front (-) Speaker Output Lead (White/Black)
- ㉑ Right Front (-) Speaker Output Lead (Grey/Black)
- ㉒ Right Front (+) Speaker Output Lead (Grey)
- ㉓ Right Rear (-) Speaker Output Lead (Violet/Black)
- ㉔ Right Rear (+) Speaker Output Lead (Violet)
- ㉕ ISO Connector (Speaker Output)
- ㉖ System Switch

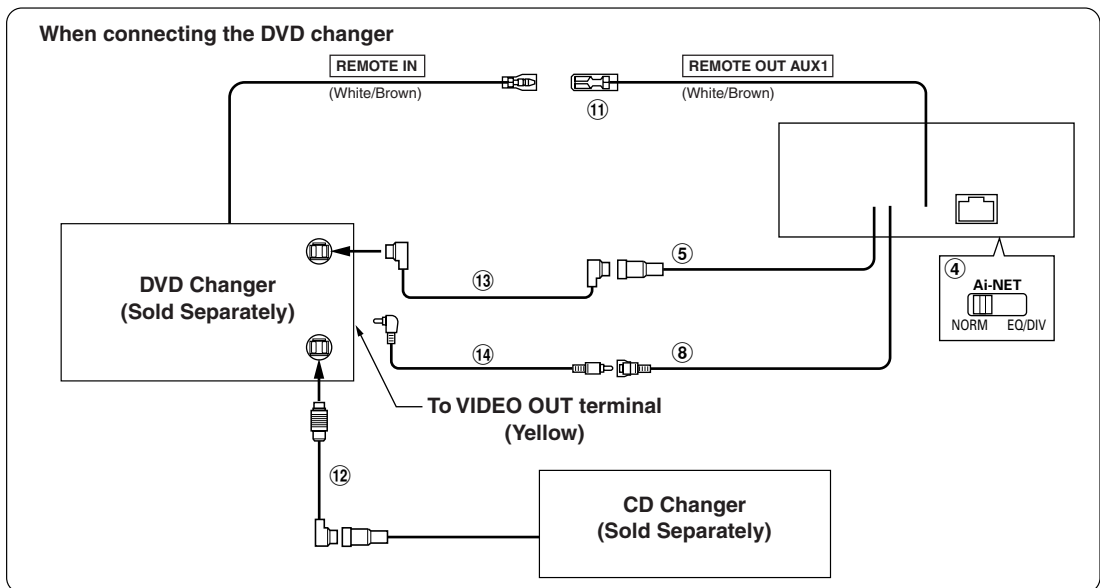
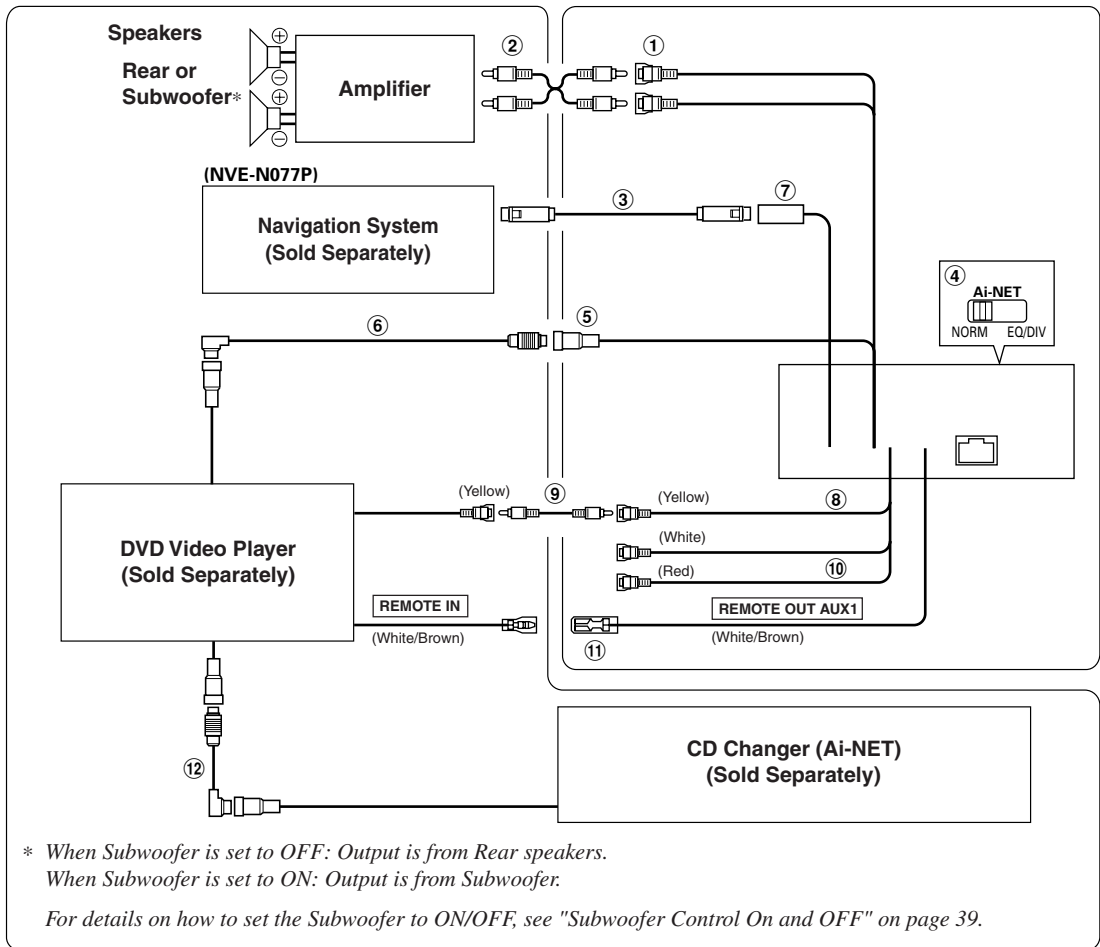
When connecting an equalizer or divider using Ai-NET feature, place this switch in the EQ/DIV position. When no device is connected, leave the switch in the NORM position.

NOTE

Be sure turn the power off to the unit before changing the switch position.

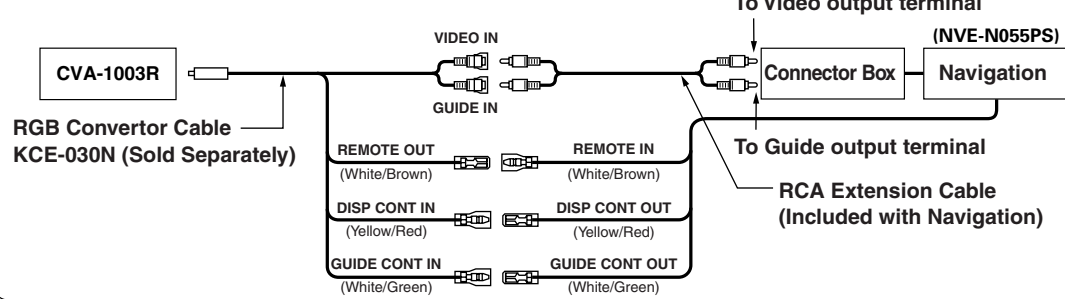
Installation and Connections

System Example 1: Refer also to Basic Connections.

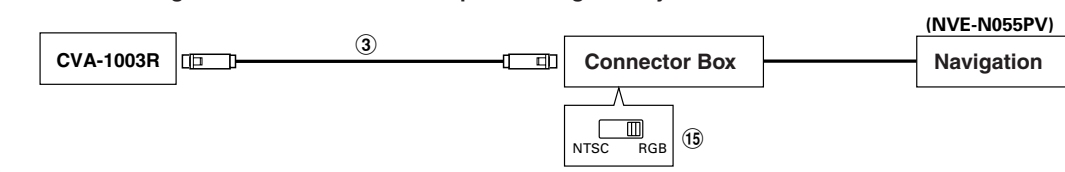


Installation and Connections

When connecting with NVE-N055PS of the Alpine's Navigation System



When connecting with NVE-N055PV of the Alpine's Navigation System



① Rear/Subwoofer Output RCA Connectors
RED is right and WHITE is left.

② RCA Extension Cable (Sold Separately)

③ RGB Cable (Included with Navigation)

④ System Switch

When connecting an equalizer or divider using Ai-NET feature, place this switch in the EQ/DIV position. When no device is connected, leave the switch in the NORM position.

NOTE

Be sure turn the power off to the unit before changing the switch position.

⑤ Ai-NET Connector

Connect this to the output or input connector of other product equipped with Ai-NET.

⑥ Ai-NET Cable (Included with DVD video player)

⑦ RGB Input Connector

Connect to the RGB output terminal of the navigation system.

⑧ AUX Video Input (AUX1) Connector

Connect the video output lead of a DVD video player or DVD changer to this terminal.

⑨ RCA Extension Cable (Included with DVD Video Player)

⑩ AUX Audio Input (AUX1) Connectors
(not used for this system)

⑪ Remote Control Output Lead (White/Brown)
Connect this lead to the remote control input lead. This lead outputs the controlling signals from the remote control.

⑫ Ai-NET Cable (Included with CD Changer)

⑬ Ai-NET Cable (Included with DVD Changer)

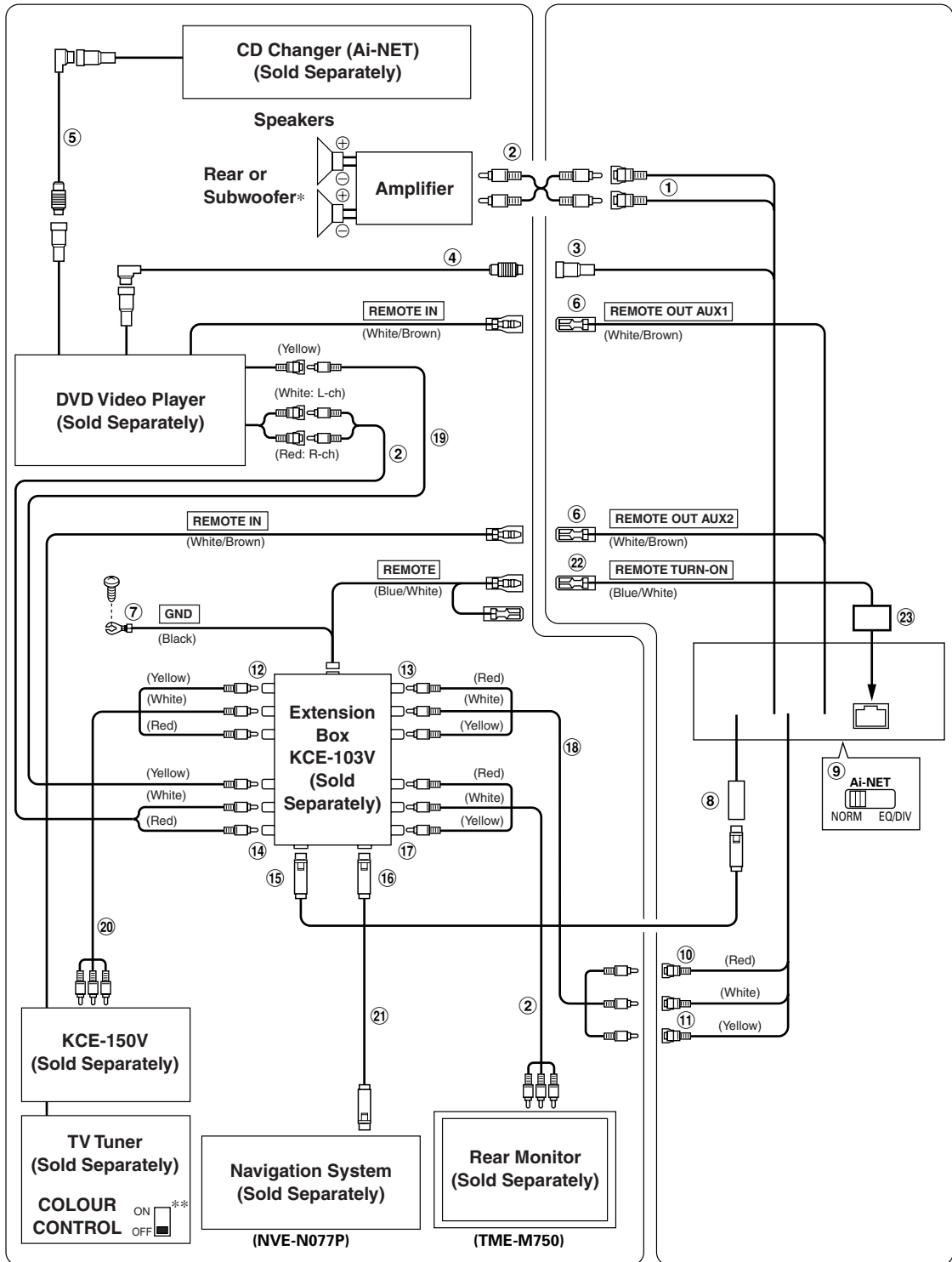
⑭ RCA Extension Cable (Included with DVD Changer)

⑮ RGB/NTSC Output Switch

To display the picture of Navigation system on the external monitor, place the switch in the NTSC Output position.

Installation and Connections

System Example 2 (connecting to KCE-103V (Optional)):
Refer also to Basic Connections.



* When Subwoofer is set to OFF: Output is from Rear speakers.

When Subwoofer is set to ON: Output is from Subwoofer.

For details on how to set the Subwoofer to ON/OFF, see "Subwoofer Control On and OFF" on page 39.

** Set the colour control of TV Tuner to OFF.

Installation and Connections

- ① Rear/Subwoofer Output RCA Connectors
RED is right and WHITE is left.
- ② RCA Extension Cable (Sold Separately)
- ③ Ai-NET Connector
Connect this to the output or input connector of other product equipped with Ai-NET.
- ④ Ai-NET Cable (Included with DVD video player)
- ⑤ Ai-NET Cable (Included with CD Changer)
- ⑥ Remote Control Output Lead (White/Brown)
Connect this lead to the remote control input lead.
This lead outputs the controlling signals from the remote control.
- ⑦ Ground Lead (Black)
Connect this lead to a good chassis ground on the vehicle. Make sure the connection is made to bare metal and is securely fastened using the sheet metal screw provided.
- ⑧ RGB Input Connector
Connect to the RGB output terminal of the KCE-103V.
- ⑨ System Switch
When connecting an equalizer or divider using Ai-NET feature, place this switch in the EQ/DIV position. When no device is connected, leave the switch in the NORM position.

NOTE

Be sure turn the power off to the unit before changing the switch position.

- ⑩ AUX Audio Input (AUX1) Connector
- ⑪ AUX Video Input (AUX1) Connectors
- ⑫ To AUX Input2 Terminals of the KCE-103V
- ⑬ Connect to the AUX Input (AUX1) Connectors of the CVA-1003R
- ⑭ To AUX Input1 Terminals of the KCE-103V
- ⑮ Connect to the RGB Input Terminal of the CVA-1003R
- ⑯ Connect to the RGB Terminal of the Navigation System
- ⑰ To AUX Output Terminals of the KCE-103V
- ⑱ RCA Extension Cable (Included with KCE-103V)
- ⑲ RCA Extension Cable (Included with DVD Video Player)
- ⑳ RCA Extension Cable (Included with KCE-150V)
- ㉑ RGB Cable (Included with Navigation)
- ㉒ Remote Turn-On Lead (Blue/White)
Connect this lead to the remote turn-on lead of your amplifier or signal processor.
- ㉓ Power Supply Connector

