



LHEACNSS Contour Trim Kit

Installation Instructions

Kit: KT1B80 for Models LHEC30, LHEC20, LHER20

Caution

Always place castings on a flat protected work surface, such as a towel, blanket or carpet.

These instructions cover the assembly of the KT1B80 Trim Kit and installation to the LHEC30, LHEC20 and LHER20 fireplace inserts.

Carefully unpack and inspect all components from the shipping box. Report any missing or damaged parts to your dealer immediately. Install trim kit after all other fireplace installation work has been completed, thoroughly checked and tested for proper operation, leaks and installation requirements.

Tools required: Tape measure

Trim kit parts

	Part #
Column Right Assembly	30002073
(1) Column, right	30001978
(1) Boot, right	30001982
(1) Slider Clip, right	30002050
(1) Bracket, On/Off Switch	10005035
(2) 1/4-20 Round Head Screw	1200894
(2) 1/4-20 Wing Screw	1201621
(3) 1/4 Flat Washer	1202474
Column Left Assembly	30002074
(1) Column, left	30001979
(1) Boot, left	30001983
(1) Slider Clip, left	30002049
(1) 1/4-20 Round Head Screw	1200894
(2) 1/4-20 Wing Screw	1201621
(3) 1/4 Flat Washer	1202474
Key	30001981
Upper Mounting Bracket	30002053
Upper Mounting Bracket R	30002054
Hardware Bag:	30001988
(5) 1/4-20 Wing Screw	1201621
(5) 1/4 Flat Washer	1202474
Instruction Sheet	30001987

Assembly

Determine which model fireplace insert you have. This will be important when adjusting the height and width of the surround.

1. Place the key (30001981) on your work surface with the threaded holes facing up.
2. Place the column right assembly (30002073) onto the key. (Fig. 1)
3. Place the column left assembly (30002074) onto the key. (Fig. 2)

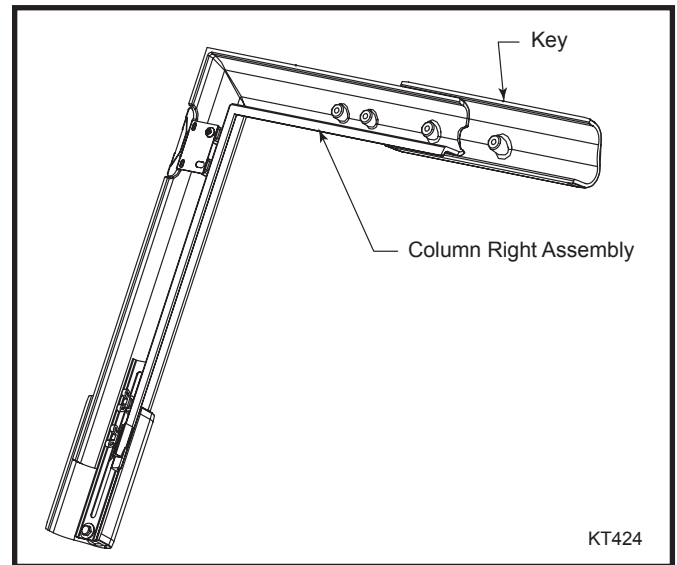


Fig. 1 Place column right assembly onto key.

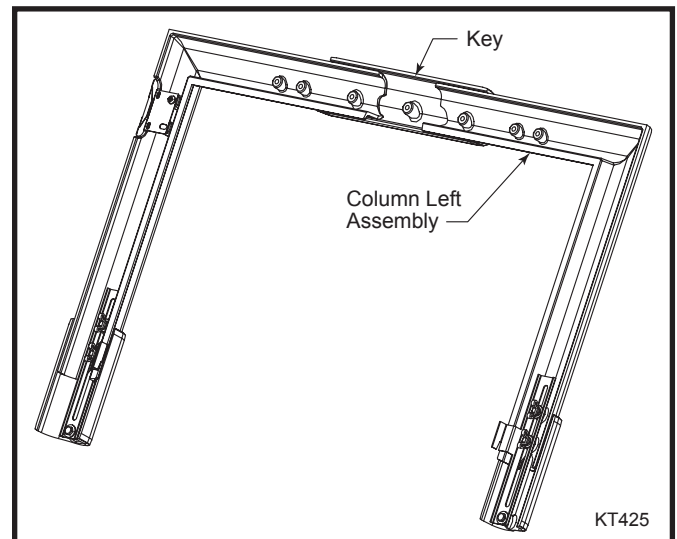


Fig. 2 Place column left assembly onto key.

4. Install the upper mounting bracket. Use the upper mounting bracket marked R (30002054) for the LHER20. Use the unmarked upper mounting bracket (30002053) for LHEC30 and LHEC20. (Fig. 3)

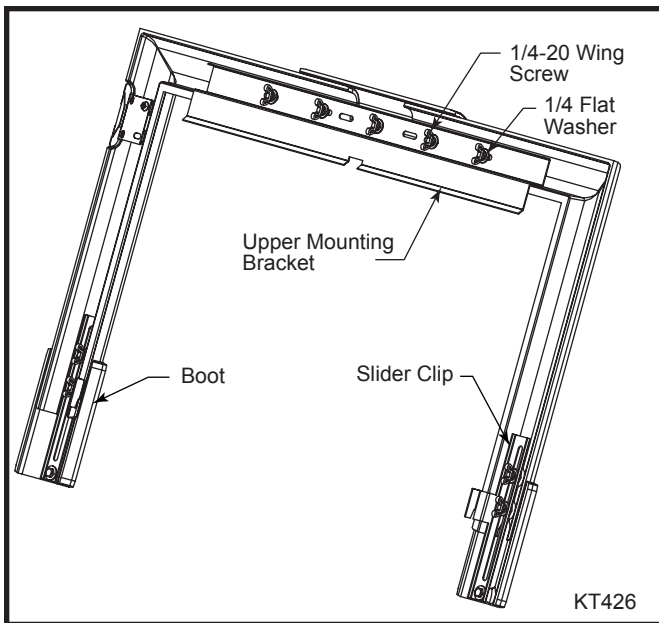


Fig. 3 Install upper mounting bracket.

5. Fasten the upper mounting bracket to the key with a 1/4-20 wing screw and 1/4 flat washer finger tight. (Fig. 3)
6. Fasten the upper mounting bracket to both column assemblies using (2) 1/4-20 wing screws and (2) 1/4 flat washers per side finger tight. The distance between the insides of the columns should measure:
 LHEC30 = 29³/₁₆" (741mm)
 LHEC20 & LHER20 = 25⁵/₈" (651mm)
7. Adjust the column/boot length (measure from the bottom side of the key to the bottom of the boot).
 LHEC30 = 22¹/₄" (565mm)
 LHEC20 = 18¹/₄" (464mm)
 LHER20 = 17⁵/₈" (448mm)
8. Lift the surround up and parallel to the fireplace front. Press the Fan ON/OFF switch into the switch bracket. It will snap into place. (Refer to Homeowner's manual for additional switch installation instructions) Move the surround towards the fireplace about an inch above the hearth. As you lower the surround onto the fireplace, the side clips and top bracket will engage mating clips. If height and width adjustments are required, lift the surround up and out. Make the adjustments. Regardless if adjustments were made or not, tighten all wing screws fasteners and return the surround to the fireplace.

MHSC

149 Cleveland Drive • Paris, Kentucky 40361
 www.mhsc.com