



# Trim Kit

## Installation Instructions

### Models:

**Romanesque: 30DVSRFKB, 30DVSRFKR, 30DVSRFKS**

**Marquette: 30DVSMTKB, 30DVSMTKS, 30DVSMTKR**

**For use on Gas Insert**

**Models LHEC30/LHECDV30**

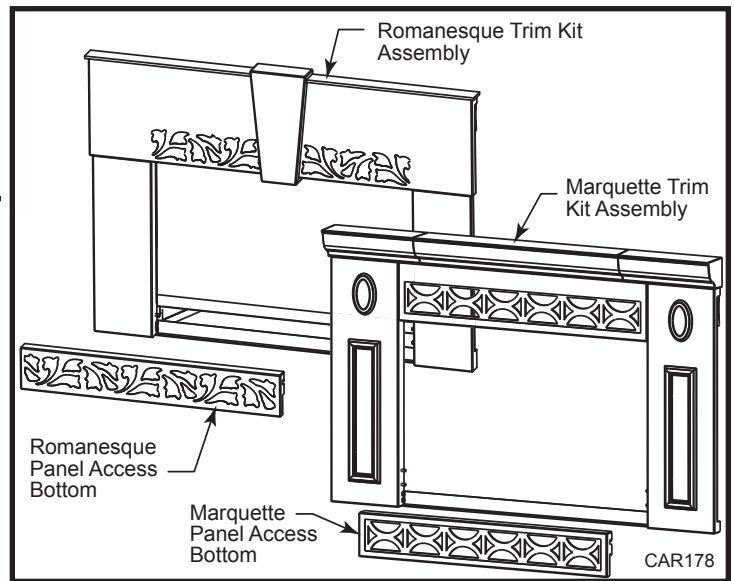


Fig. 1 Carton contents.

### Kit Contents:

- Trim Kit Assembly (1)
- Panel Access Bottom (1)
- Installation Instructions (1) (not shown)

### Check Contents of Shipping Carton

Examine contents of shipping carton. If any parts are missing or damaged, contact your local dealer before starting installation.

### Installation Instructions

**NOTE: Remove and discard all plastic from packaging.**

**CAUTION: Allow fireplace to cool if it has been in operation.**

1. For RN/RP models: Install the ON/OFF switch onto the right side of the trim kit by inserting the ON/OFF switch with wiring assembly through the pre-punched opening of bracket switch mounted on the right side of the trim kit, then connect the wiring to the valve. (Refer to Homeowner's Manual)
2. For the left side installation, relocate the bracket switch to the left side of the trim kit and repeat step 1.
3. Remove top louvre from the fireplace by lifting and pulling out.
4. Remove bottom louvre from the fireplace by removing the four (4) mounting screws.
5. Install the trim kit onto the fireplace by hanging the whole trim kit assembly onto the front face of the appliance. (Fig. 2)
6. Install the panel access bottom by hanging the side slots of the panel onto the two (2) pre-mounted shoulder screws on both bottom sides of the trim kit. (Fig. 3) Installation complete.

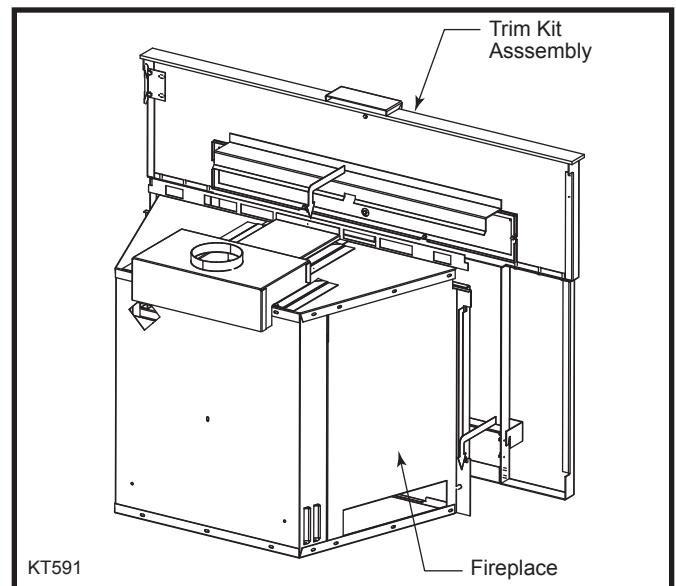


Fig. 2 Install trim kit.

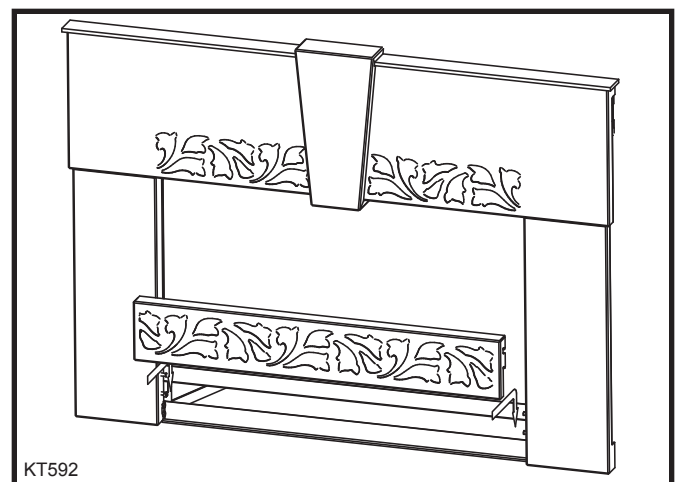
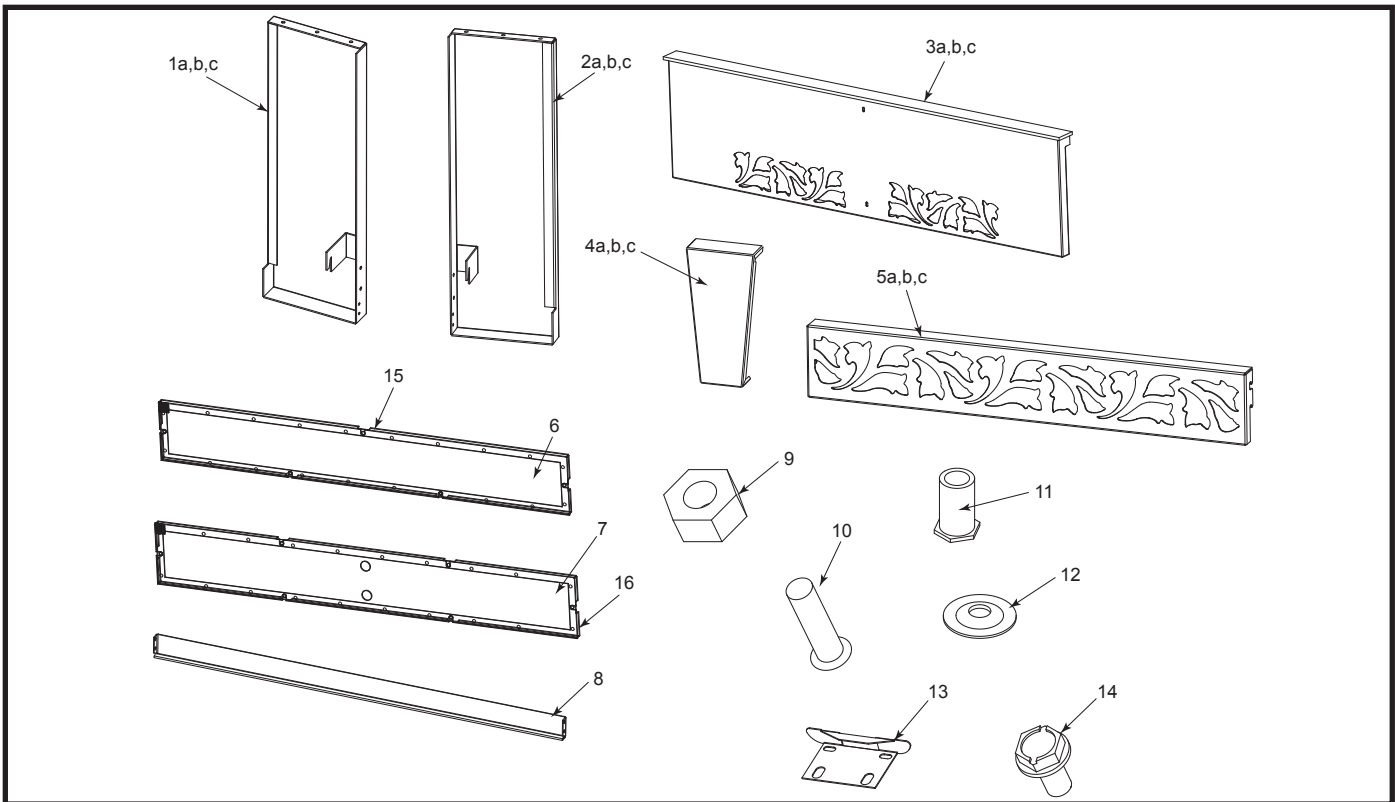


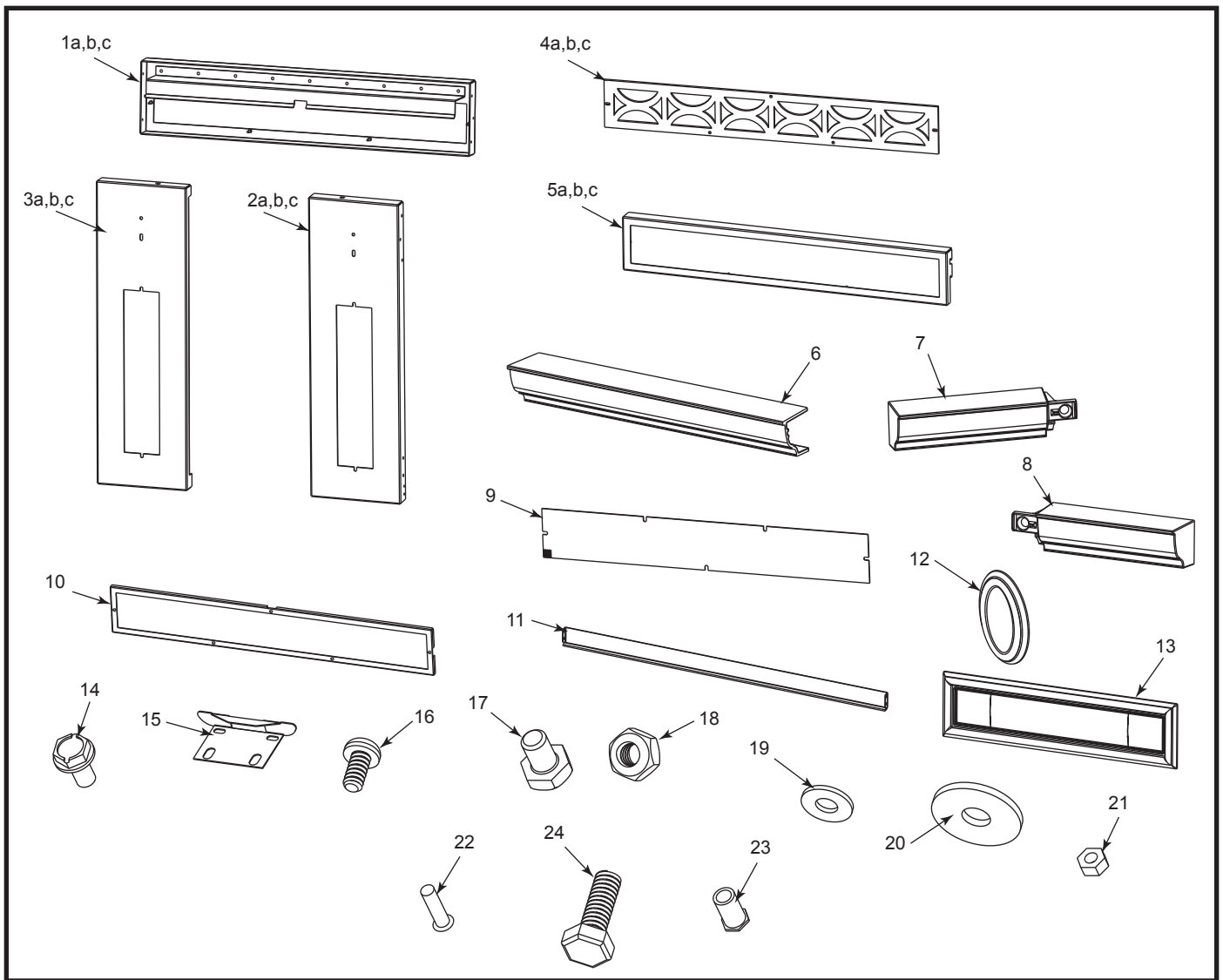
Fig. 3 Install panel access bottom.



CFM Corporation reserves the right to make changes in design, materials, specifications, prices and discontinue colors and products at any time, without notice.

## Romanesque Trim Kit Replacement Parts

Ref.	Description	Romanesque
1a.	Frame Side Upright Right Assembly Black	10008775
1b.	Frame Side Upright Right Assembly Rustic Bronze	10008806
1c.	Frame Side Upright Right Assembly Pewter	10008817
2a.	Frame Side Upright Left Assembly Black	10008776
2b.	Frame Side Upright Left Assembly Rustic Bronze	10008807
2c.	Frame Side Upright Left Assembly Pewter	10008818
3a.	Trim Top Assembly Black	10008777
3b.	Trim Top Assembly Rustic Bronze	10008809
3c.	Trim Top Assembly Pewter	10008820
4a.	Key Stone Assembly Black	10008778
4b.	Key Stone Assembly Rustic Bronze	10008805
4c.	Key Stone Assembly Pewter	10008816
5a.	Panel Access Assembly Black	10008793
5b.	Panel Access Assembly Rustic Bronze	10008810
5c.	Panel Access Assembly Pewter	10008822
6.	Screen Mesh Bottom	10008791
7.	Screen Mesh Top	10008797
8.	Support Access Panel Black	10008803
9.	*8-32 Hex Nut Black Oxide	20009807
10.	#6-32 x 500" Pem Stud	20010629
11.	#6-32 x 500" Pem Standoff	20010630
12.	5-32 Push Retainer	20010633
13.	Bracket ON/OFF Switch	10005035
14.	Screw #8-18 x 1/2" Sheet Metal	7521901
15.	Retainer Bottom Black	10008791
16.	Retainer Top Black	10008797



CFM Corporation reserves the right to make changes in design, materials, specifications, prices and discontinue colors and products at any time, without notice.

## Marquette Trim Kit Replacement Parts

Ref.	Description	Marquette
1a.	Panel Top w/Hood Assembly Black	10009087
1b.	Panel Top w/Hood Assembly Rustic Bronze	10009027
1c.	Panel Top w/Hood Assembly Pewter	10008798
2a.	Frame Upright Left Assembly Black	10009092
2b.	Frame Upright Left Assembly Rustic Bronze	10008974
2c.	Frame Upright Left Assembly Pewter	10008974
3a.	Frame Upright Right Assembly Black	10009091
3b.	Frame Upright Right Assembly Rustic Bronze	10009031
3c.	Frame Upright Right Assembly Pewter	10008972
4a.	Plate Pattern Black	10009088
4b.	Plate Pattern Rustic Bronze	10009028
4c.	Plate Pattern Pewter	10008819
5a.	Access Panel w/Stud Assembly Black	10009090
5b.	Access Panel w/Stud Assembly Rustic Bronze	10009030
5c.	Access Panel w/Stud Assembly Pewter	10008796

## Marquette Trim Kit Replacement Parts (continued)

Ref.	Description	Marquette
6.	Top Cast Center	10008814
7.	Top Cast Left	20010455
8.	Top Cast Right	20010457
9.	Screen Mesh	10008790
10.	Retainer Black	10008791
11.	Support Access Panel Black	10008803
12.	Cast Medallion	20010324
13.	Cast Panel	10008852
14.	Screw #8-18 x 1/2" Sheet Metal	7521901
15.	Bracket ON/OFF Switch	10005035
16.	Pan Hd PH 10-20 x 3/8"-Z	1200983
17.	Cs Hex Hd 1/4"-20 x 3/8" GR5-Z	1201337
18.	Nut Hex 1/4"-20 Plain	1203210
19.	Washer FL #10 SAE-Z 0.218"ID x 0.5" OD	1202423
20.	Washer 1/4" PL 7/8" OD	1202470
21.	#8-32 Hex Nut Black Oxide	20009807
22.	#6-32 x 500" Pem Stud	20010629
23.	#6-32 x 500" Pem Standoff	20010630
24.	CS Hex HD 1/4"-20 x 3/4" GR5	1201374

### CFM Corporation

2695 Meadowvale Blvd. • Mississauga, Ontario, Canada L5N 8A3  
800-668-5323 • www.cfmcorp.com