



## INSTALLATION INSTRUCTIONS FOR PART 99-7339

### **APPLICATIONS** **HYUNDAI GENESIS COUPE 2.0** **2010**

# 99-7339B

# 99-7339S

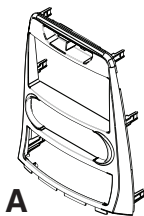
#### KIT FEATURES

- ISO Head Unit Provision with Pocket
- Painted to match factory finish  
99-7339B=Black 99-7339S=Silver

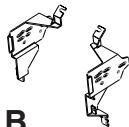


#### KIT COMPONENTS

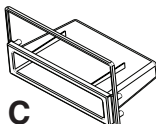
A) Trim Panel B) ISO Brackets C) Pocket D) (6) PC-7503 Panel Clips E) (4) 3/8" Phillips Screws



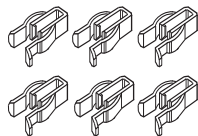
A



B



C



D



E

#### WIRING AND ANTENNA CONNECTIONS (Sold Separately)

##### Wiring Harness:

- 70-7303 - Kia/Hyundai Harness 2009 -up

##### Antenna Adapter:

- 40-KI11 - Kia/Hyundai Antenna Adapter 2007-up

#### TOOLS REQUIRED:

- Small Flat Blade Screwdriver
- Phillips Screwdriver
- Panel Removal Tool
- Socket Wrench



**METRA. THE WORLD'S BEST KITS.™**



**1-800-221-0932**



**www.metraonline.com**

© COPYRIGHT 2007-2010 METRA ELECTRONICS CORPORATION

**TABLE OF CONTENTS**

**Dash Disassembly**

**- Hyundai Genesis Coupe 2010 ..... 1**

**Kit Preparation**

**- Hyundai Genesis Coupe 2010 ..... 2**

**Kit Assembly**

**- ISO DIN Head Unit Provision ..... 3**

**\*Note:**

**Refer also to the instructions included with the aftermarket radio.**



**KNOWLEDGE IS POWER**

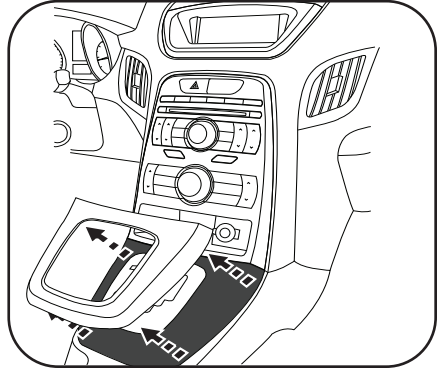
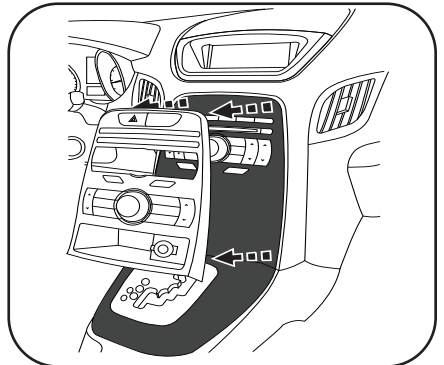
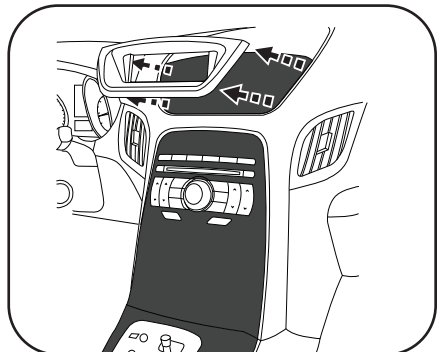
Enhance your installation and fabrication skills by enrolling in the most recognized and respected mobile electronics school in our industry. Log onto [www.installerinstitute.com](http://www.installerinstitute.com) or call 800-354-6782 for more information and take steps toward a better tomorrow.



Metra recommends MECP certified technicians.

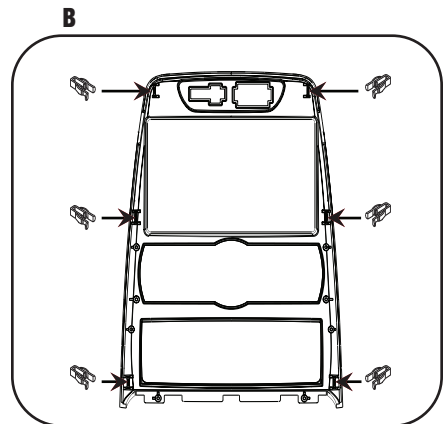
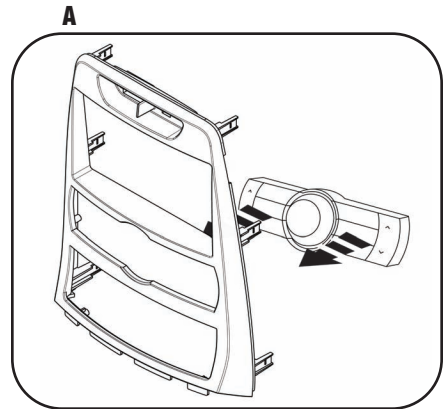
## HYUNDAI GENESIS COUPE 2010

- 1** Disconnect the negative battery terminal to prevent an accidental short circuit.
- 2** Unclip and remove the shifter trim panel. (Figure A)
- 3** Unclip and remove the radio/climate control trim panel. (Figure B)
- 4** Unclip and remove the display trim panel above radio. (Figure C)
- 5** Remove (4) Phillips screws securing the radio.
- 6** Remove (4) Phillips screws securing the climate control to the factory trim panel.

**A**

**B**

**C**


**KIT PREPARATION****HYUNDAI GENESIS COUPE 2010**

- 1** Attach the climate control to the 95-7336S trim plate using the factory hardware. (Figure A)
- 2** Attach the (6) panel clips to the 95-7336S trim plate. (Figure B)

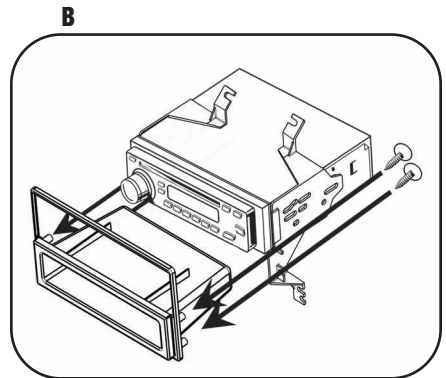
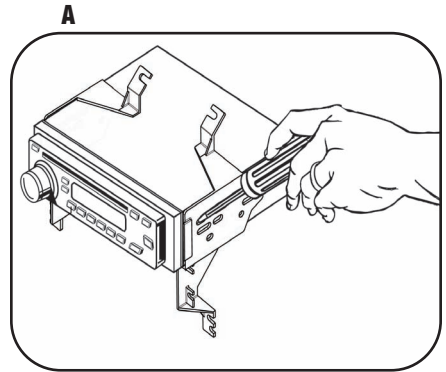


*Continue to kit assembly*

## HYUNDAI GENESIS COUPE 2010

### ISO DIN HEAD UNIT PROVISION

- 1** Locate the factory wiring harness in the dash. Metra recommends using the proper mating adapter from Metra or AXCESS. Re-connect the negative battery terminal and test the unit for proper operation.
- 2** Attach the ISO brackets to the after-market radio (figure A), then secure the assembly to the pocket using the (4) supplied Phillips screws (figure B).
- 3** Mount the assembly into the sub dash.
- 4** Reassemble dash in reverse order of disassembly using the 99-7339 trim panel instead of the factory trim panel.





**NOTES**

---

---

---

---

---

---

---

---

---

---



**NOTES**

---

---

---

---

---

---

---

---

---

---

---

# 99-7339 INSTRUCTIONS

**METRA. THE WORLD'S BEST KITS.™**



**1-800-221-0932**



**[www.metraonline.com](http://www.metraonline.com)**

REV. 12/15/09 © COPYRIGHT 2003-2010 METRA ELECTRONICS CORPORATION INST99-7339