

Portable Basketball System with Elevator Owners Manual

⚠ SAFETY INSTRUCTIONS ⚠

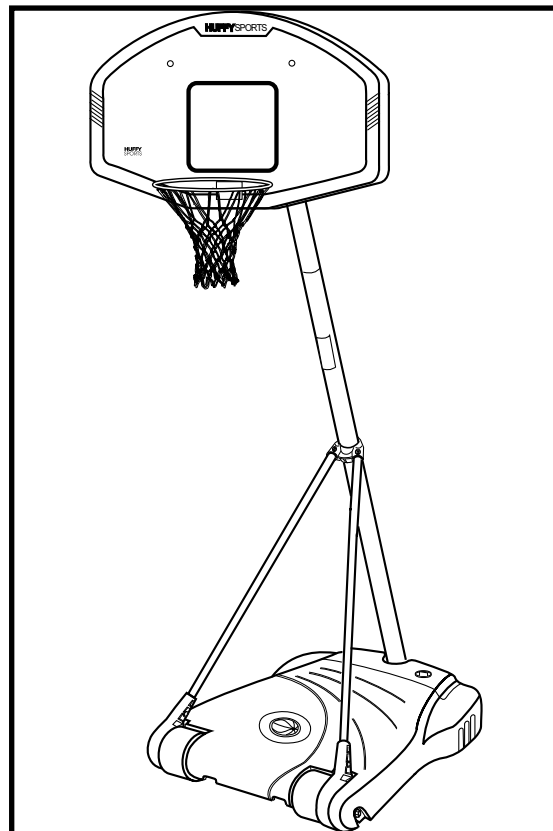
**FAILURE TO FOLLOW THESE SAFETY INSTRUCTIONS MAY
RESULT IN SERIOUS INJURY,
PROPERTY DAMAGE AND WILL VOID WARRANTY.**

***Owner must ensure that all players know and follow these
rules for safe operation of the unit.***

To ensure safety, do not attempt to assemble this system without following the instructions carefully. Check entire box and inside all packing material for parts. Before beginning assembly, read the instructions and identify parts using the hardware identifier and parts list in this document. Proper and complete assembly, use and supervision is essential for proper operation and to reduce the risk of accident or injury. A high probability of serious injury exists if this system is not installed, maintained, and operated properly.

- This equipment is intended for home recreational use only and NOT excessive competitive play.
- Read and understand the warning label affixed to pole. Label is shown on page 2.
- The life of your basketball pole depends on many conditions. The climate, placement of the pole, the location of the pole, exposure to corrosives such as pesticides, herbicides or salts are all important.
- During assembly, if using a ladder use extreme caution. Two people are recommended for this operation.
- Seat the pole sections properly. Failure to do so could allow the pole sections to separate during play and/or transport of the system.
- Climate, corrosion and excessive use or misuse could result in pole failure.
- Check base regularly for leakage. Slow leaks could cause unit to tip over unexpectedly.
- If technical assistance is required, contact Huffy Sports.
- Adult supervision is recommended when adjusting height.
- Minimum operational height is 2 m (6'6") to the bottom of backboard.

*Most injuries are caused by misuse and/or not following instructions.
Use caution when using this unit.*



REQUIRED TOOLS AND MATERIALS:

- Two People
- Tape Measure
- Tape
- Wood Board (Scrap)
- Wrenches: (Two) 7/16", 1/2", 9/16", 3/4"
(9/16" Deep Socket w/Ext. Recommended)
Or Large and Small Adjustable Wrenches
- Support Table
- Step Ladder 8 ft. (2.4 m)
- Garden Hose or Sand (102 kg) (225 lb.)

IMPORTANT! Have any questions...don't go back to the store.

We appreciate your purchasing one of our many fine products. We are sure that you will be very satisfied with your selection. Although great care and effort have been taken, problems may occur. To ensure prompt and correct handling of any problems, or to answer any questions, please contact the Customer Service Center. Service will be quicker if you reference your Model Number (**found on carton**). **PLEASE WRITE YOUR MODEL NUMBER IN THE SPACE PROVIDED ABOVE.**

Internet Address: <http://www.huffysports.com>
Toll-Free Customer Service Number for Australia: 1-800-333061



! WARNING

FAILURE TO FOLLOW THESE WARNINGS MAY RESULT IN SERIOUS INJURY AND/OR PROPERTY DAMAGE.

Owner must ensure that all players know and follow these rules for safe operation of the unit.

- See instruction manual for proper installation and maintenance.
- Use caution when performing dunk type activities on this unit.
- Do not hang from any part of unit, including backboard, support braces, rim or net.
- Do not slide, climb, shake or play on base and/or pole.
- Surface beneath the base must be smooth and free of gravel, or other sharp objects. Punctures cause leakage and could cause unit to tip over.
- After assembly is complete, fill system completely with water or sand and stake to the ground. Never leave unit in an upright position without filling base with weight, as unit may tip over causing injury.
- Do not allow water in base to freeze. During sub-freezing weather add non-toxic antifreeze, sand or empty base completely and store. (Do Not Use Salt)
- Keep pole top covered with cap at all times.
- Keep organic material away from pole base. Grass, litter, etc. could cause corrosion and/or deterioration.
- Check pole system for signs of corrosion (rust, pitting, chipping) and repaint with exterior enamel paint. If rust has penetrated through steel anywhere, replace pole immediately.
- Check unit before each use for loose hardware, excessive wear and signs of corrosion and repair before using.
- Check unit before each use for stability.
- Do not use system during windy and/or severe weather conditions, unit may tip over. Place system in the storage position and/or in an area protected from the wind and free from personal property and/or overhead power lines.
- During play, use extreme caution to keep player's face away from the backboard, rim or net. Serious injury could occur if teeth/face come in contact with backboard, rim or net.
- When adjusting height unit, keep hands and fingers away from moving parts. Do not allow children to adjust or move unit.
- When moving unit use caution to keep mechanism from shifting.
- During play, do not wear jewelry (rings, watches, necklaces, etc.) Objects may entangle in net.

HEIGHT ADJUSTMENT

Insert end of broom handle or wooden dowel 3/4"-7/8" (19-22mm) diameter into release lever.

Push up, pivot outward to raise and lower

IMPORTANT!
Push up, pivot inward and lower to lock

HUFFY[®]SPORTS

In the U.S.: 1-800-558-5234 and Canada Only: 1-800-284-8339

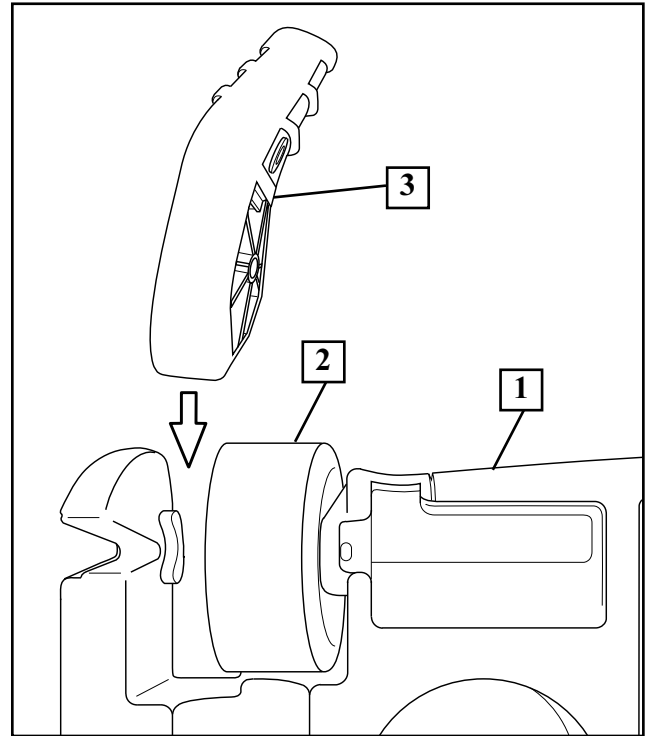
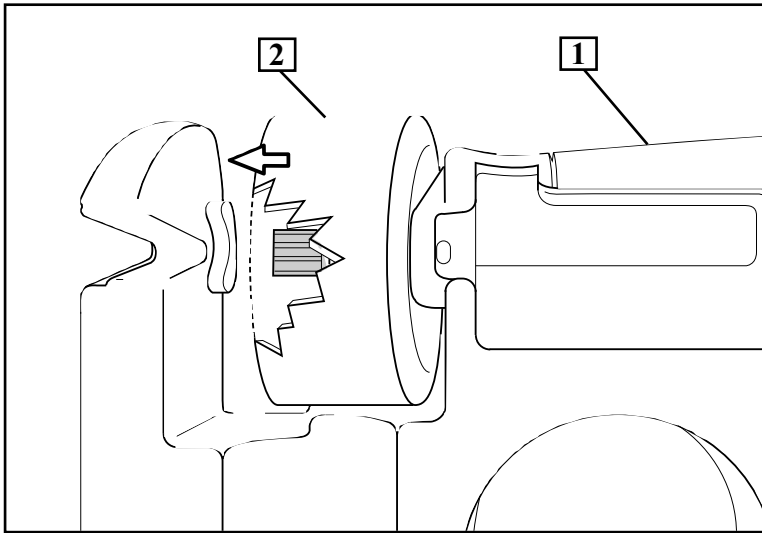
206113 5/97



1. Lay base (1) bottom up and set wheel (2) into place.

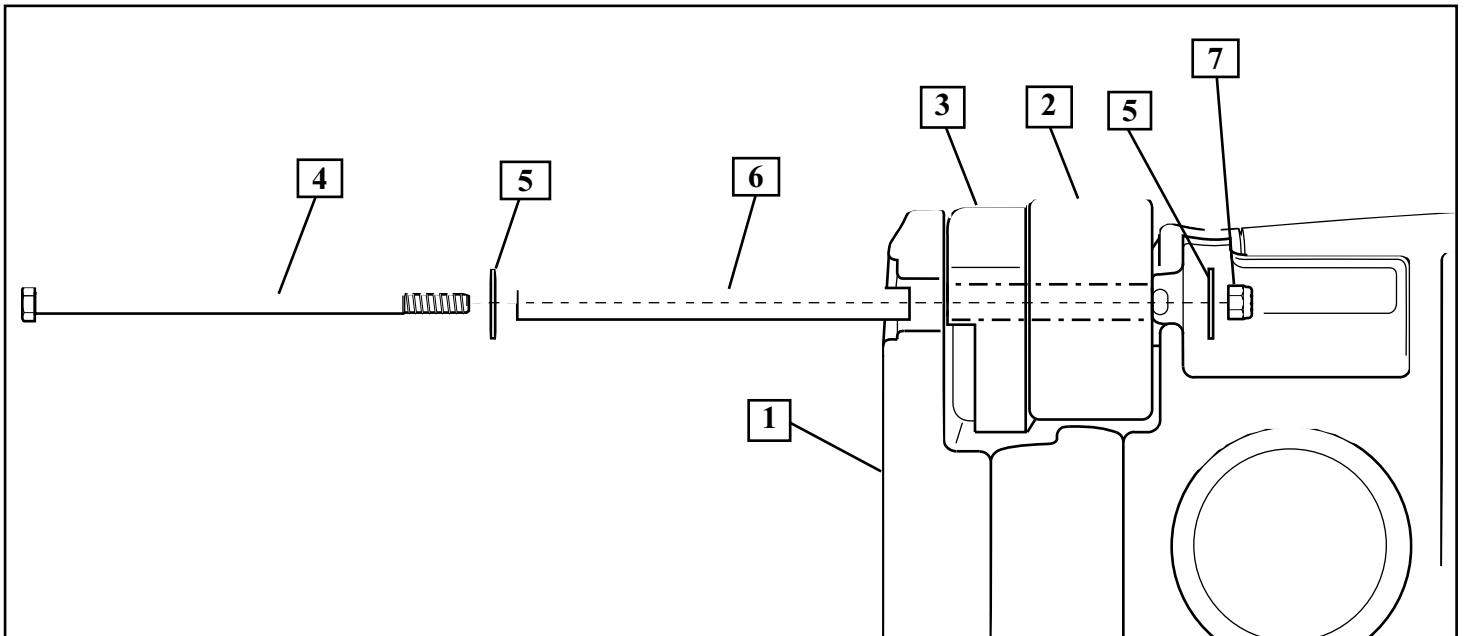
2. Slide strut holder (3) between wheel (2) and base (1).

NOTE: Wheel (1) has spacer snapped in place over axle hole, the spacer should face the strut holder (3).

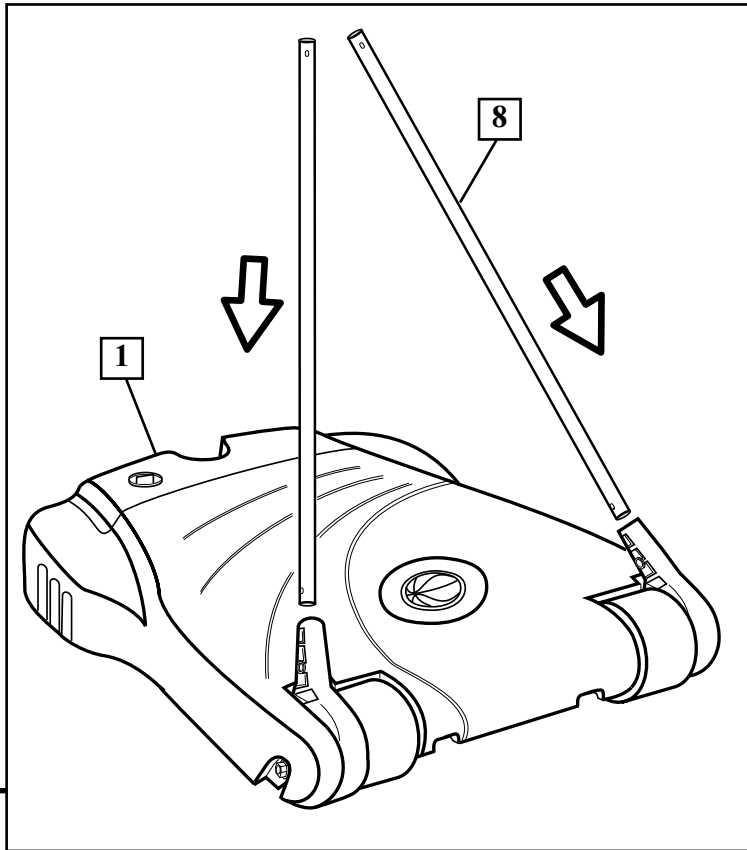


Bottom View of Base

3. With wheel and strut holder in place, insert spacer (6) thru notch in base, strut holder (3) and wheel (2). Then push spacer thru hole in base. Install bolt (4) thru washer (5), spacer (6), second washer (5) and nut (7) then tighten. Repeat STEPS 1 and 2 for the opposite side.

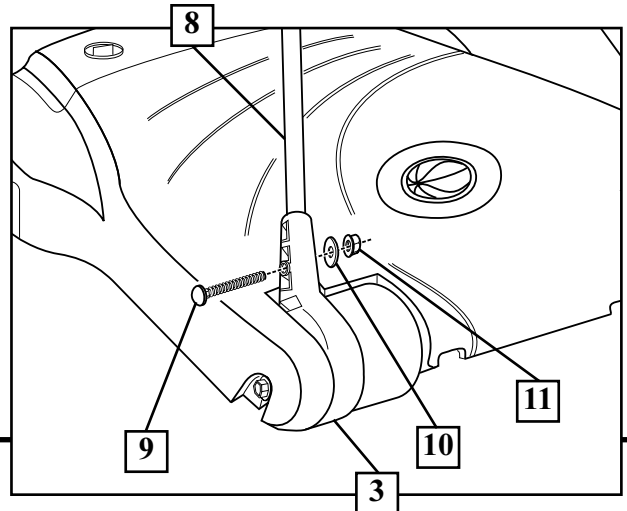


4. Setup base (1) as shown and install strut tubes (8).

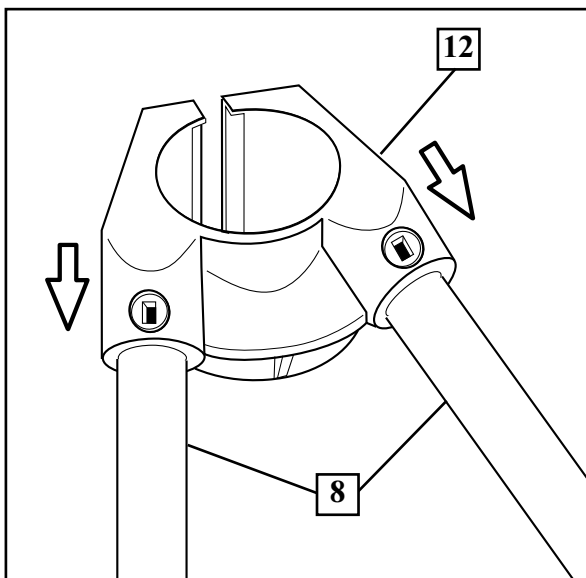


5. Line-up hole in strut tube (8) with hole in strut support (3) and install hardware as shown. Repeat for opposite side.

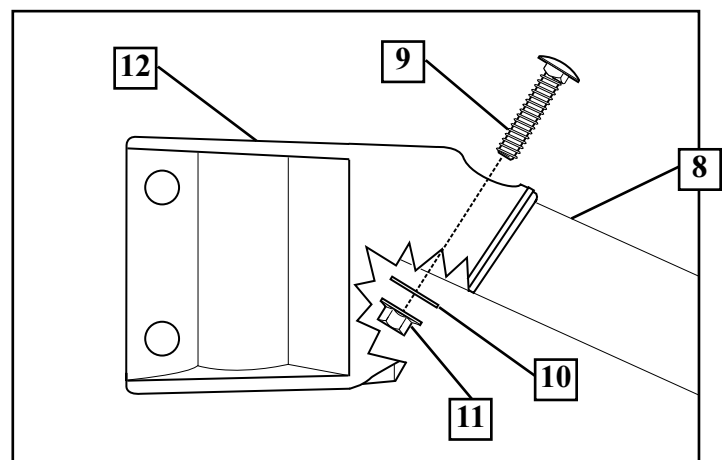
IMPORTANT!
DO NOT TIGHTEN COMPLETELY
AT THIS TIME.



6. Slide collar (12) onto strut tubes. Line up holes in tubes (8) with holes in collar (12).



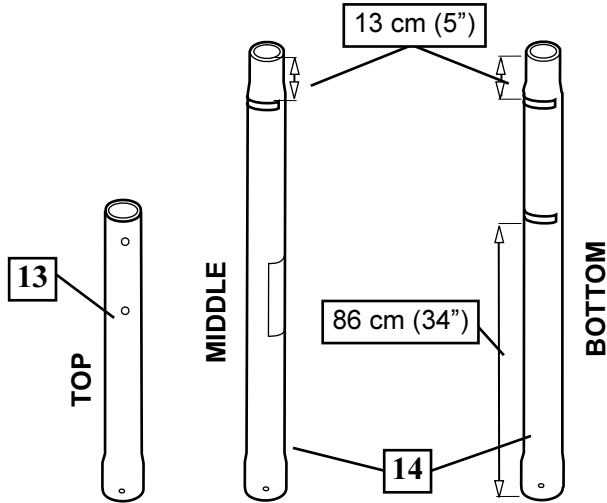
7. Install bolt (9) thru top of collar (12) with washer (10) and nut (11). Tighten upper and lower strut hardware completely.



Side View



8. Mark poles with tape as shown.



9. IMPORTANT!

Bounce middle pole section onto top pole section until they no longer move toward tape reference mark.

Upright assembly.

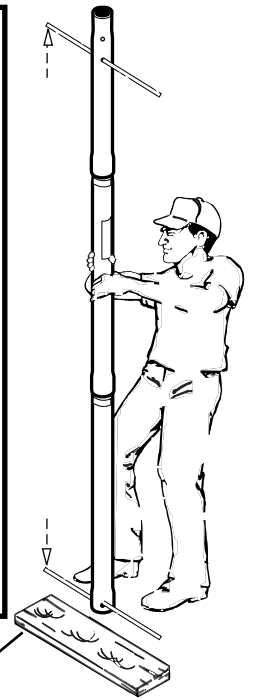
HOLES IN TOP AND BOTTOM POLE SECTIONS MUST ALIGN TO CORRECTLY POSITION ELEVATOR SYSTEM.

While checking alignment, add bottom pole section and bounce sections together as tight as possible.

Bounce sections together as tight as possible.

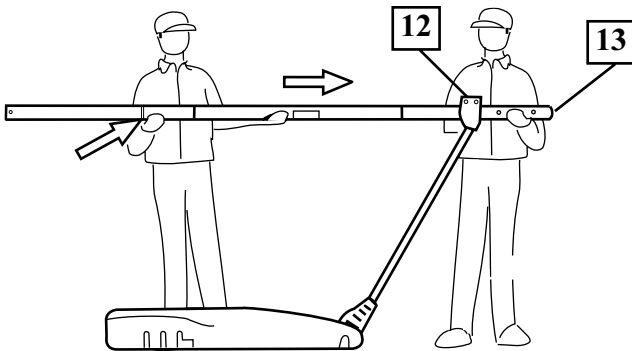
NOTE:

POLE SECTIONS MUST OVERLAP 8.9 CM (3-1/2") MINIMUM.

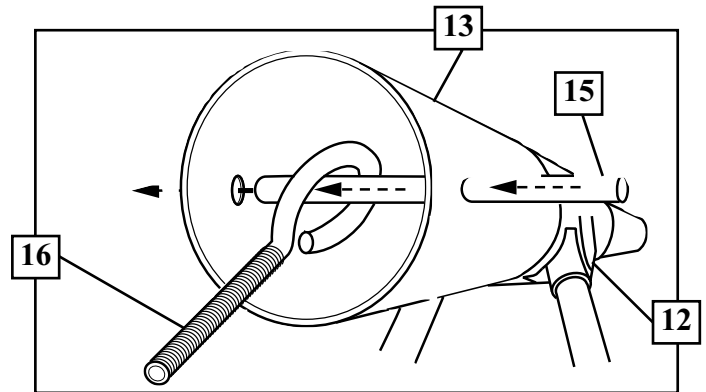


Wood Scrap

10. Spread collar (12) open and slide top of pole through to 86 cm (34") mark on bottom pole section (13).

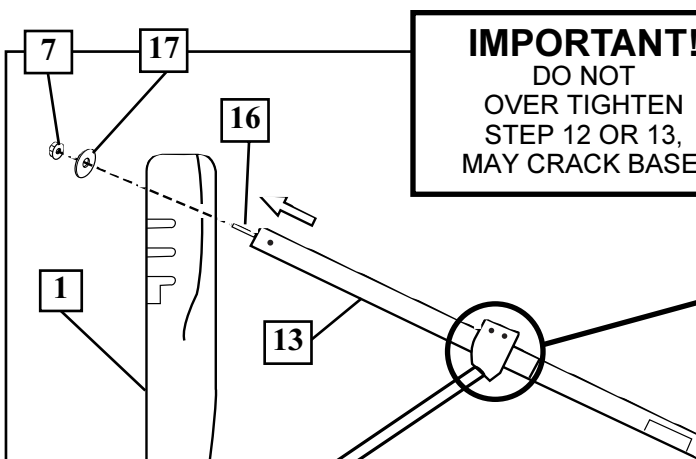


11. Install rod (15) thru holes in bottom pole section (13) and eyebolt (16).

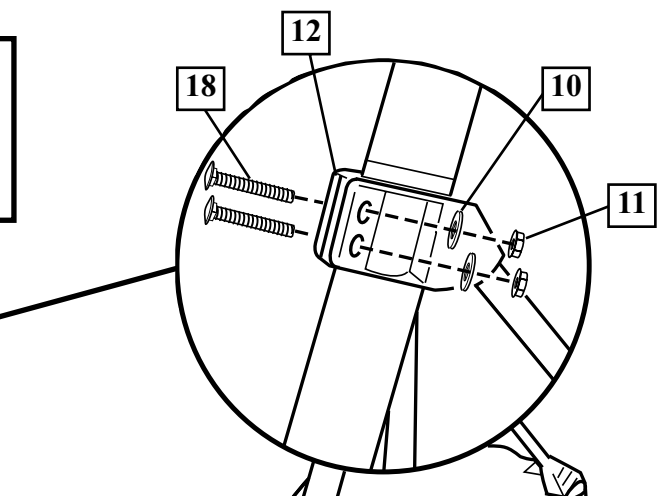


12. NOTE: Two people recommended for this step. Secure pole bottom (13) to base using nut (7) and disk (18), a deep socket is recommended.

13. Install bolt (18), washer (10) and nut (11) in pole collar (12) at tape mark on bottom pole and tighten.



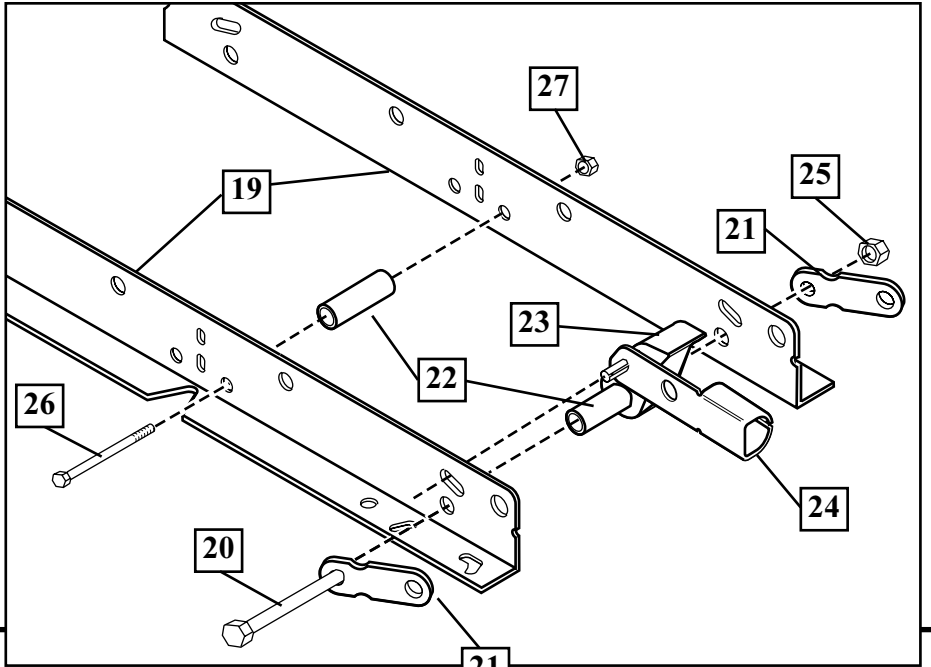
IMPORTANT!
DO NOT OVER TIGHTEN STEP 12 OR 13, MAY CRACK BASE.



14. IMPORTANT! Test fit bolts into holes of brackets (19) and carefully rock them in a circular motion to ream out paint from holes if necessary.

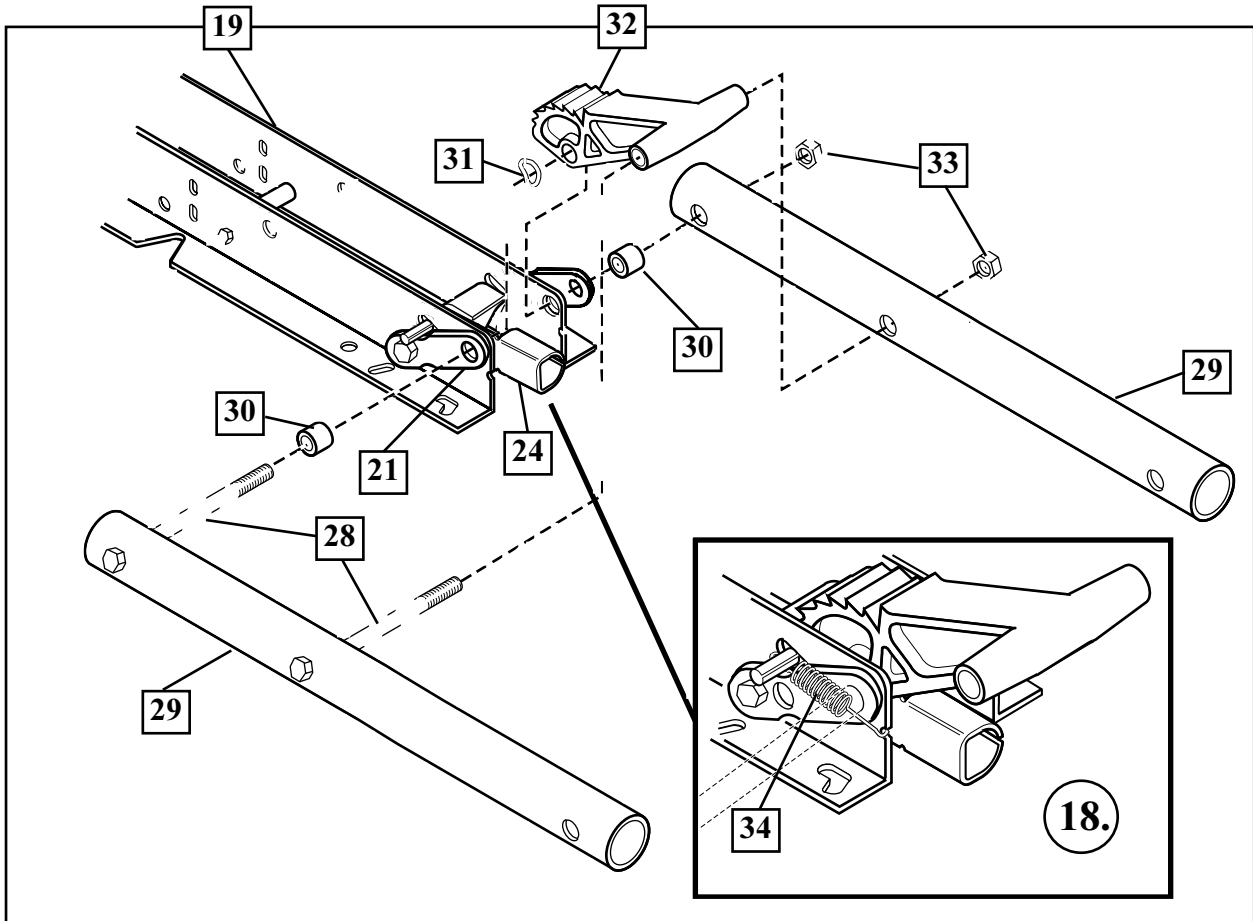
15. IMPORTANT! Finger tighten nuts and bolts until instructed to fully tighten later.

16. Fit spacer (22) into pawl (23) and fit pin of pawl through end hole of release lever (24).



17. IMPORTANT! Bolt (28) must be inserted through tube (29), spacer (30), support bracket (21), board bracket (19), release lever (24), wave washer (31), and then ratchet (32). Fully tighten all nuts and bolts after assembly.

18. Use pliers to stretch spring (34) into position.



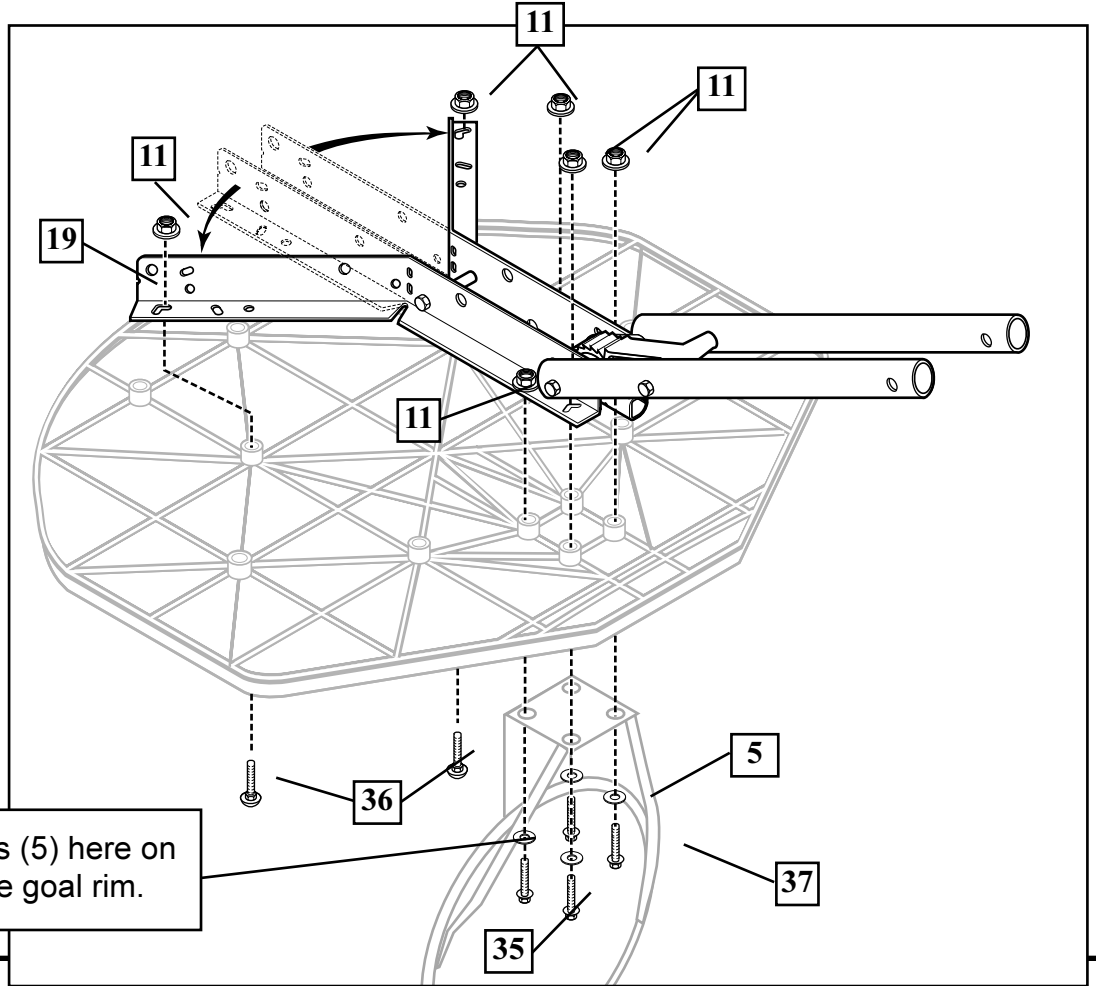
19. Starting with nuts (11) flush against bracket (19), secure goal rim (37) and bracket (19) to backboard.
NOTE: Mounting nuts and bolts supplied with goal rim hardware.

20. Fold bracket (19) to line up with holes in backboard and secure.

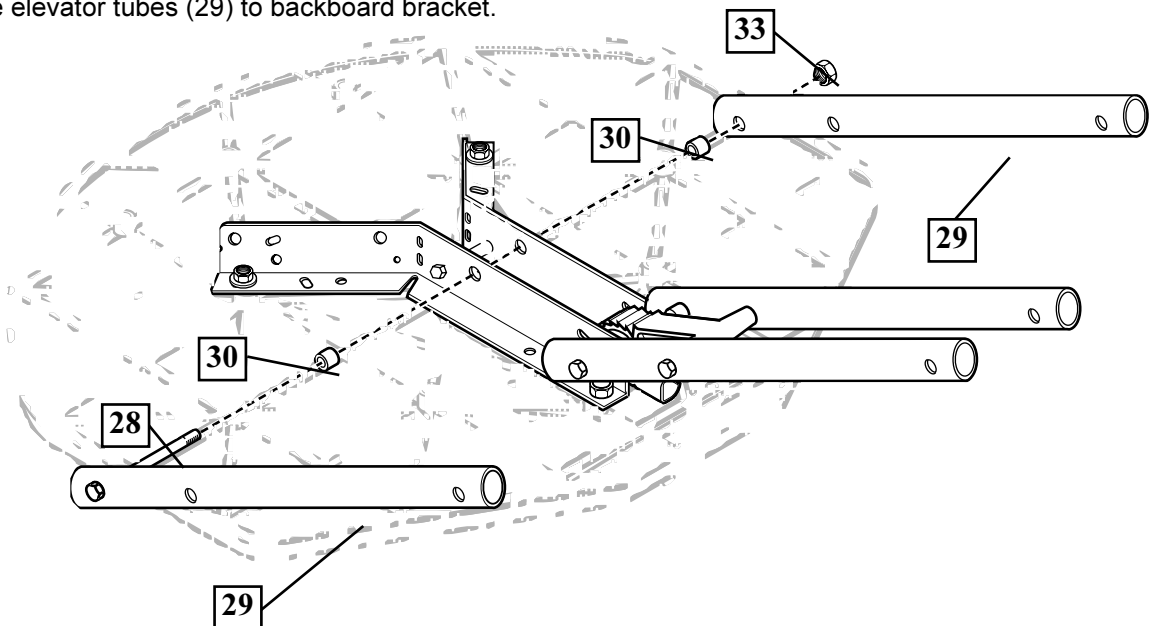
IMPORTANT!

For spring loaded goal rim assembly, refer to instructions included with goal rim hardware.

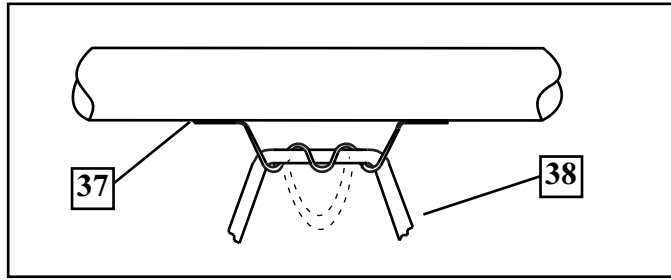
Do not use washers (5) here on spring return style goal rim.



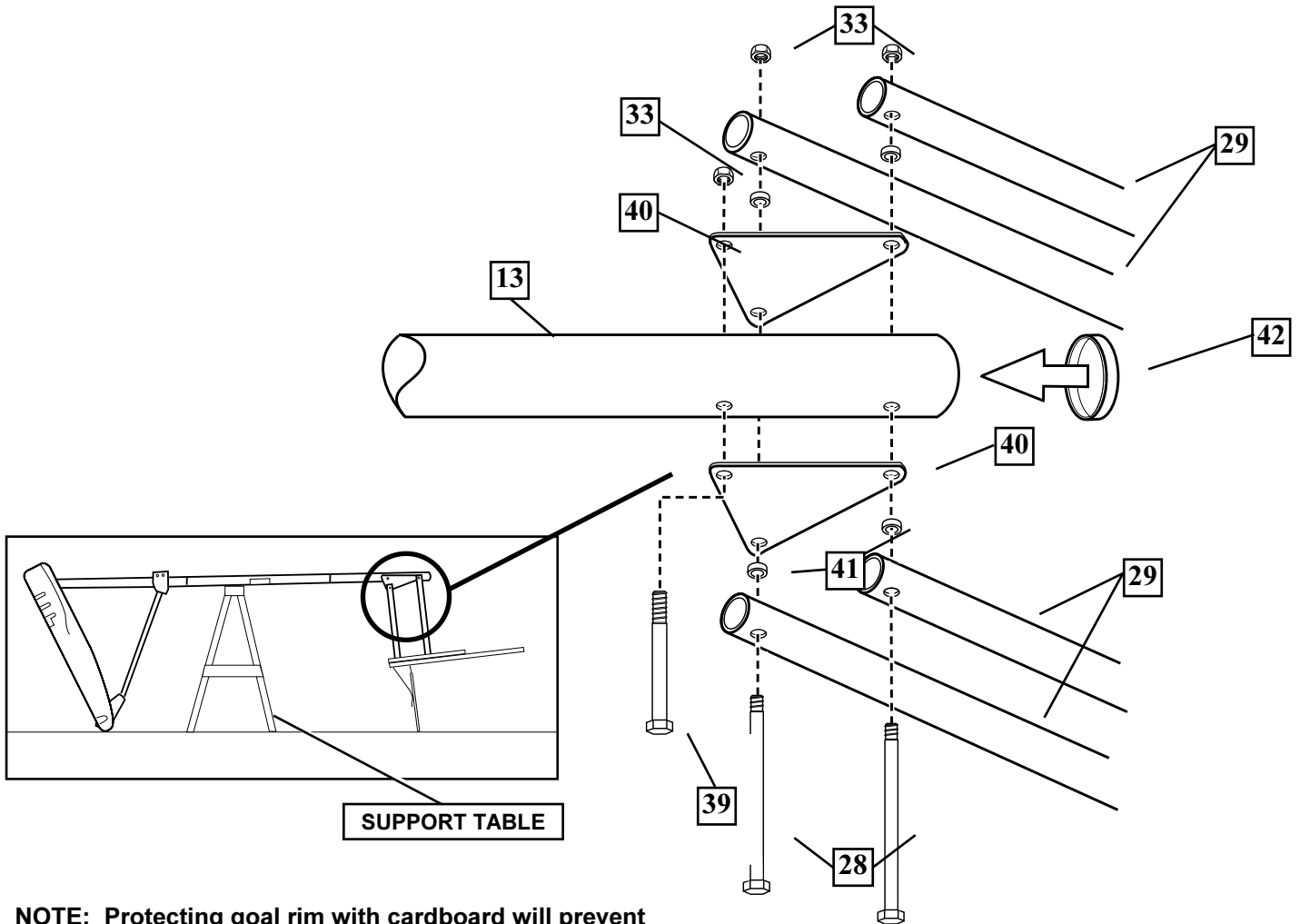
21. Assemble elevator tubes (29) to backboard bracket.



22. Install net (38).



23. Support pole on support table. Attach backboard components under assembly to top pole section (12). **NOTE: Two people are recommended for this step, use caution, elevator component under assembly is heavy.** Then install pole cap (42).

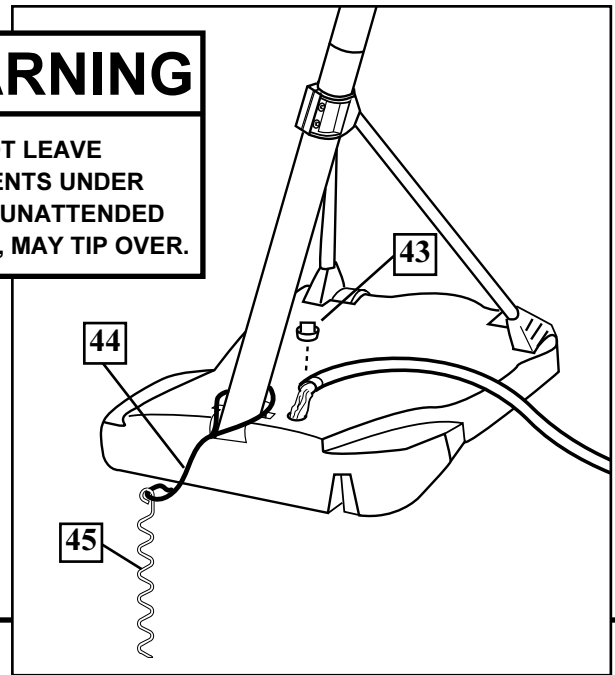


NOTE: Protecting goal rim with cardboard will prevent scratches.



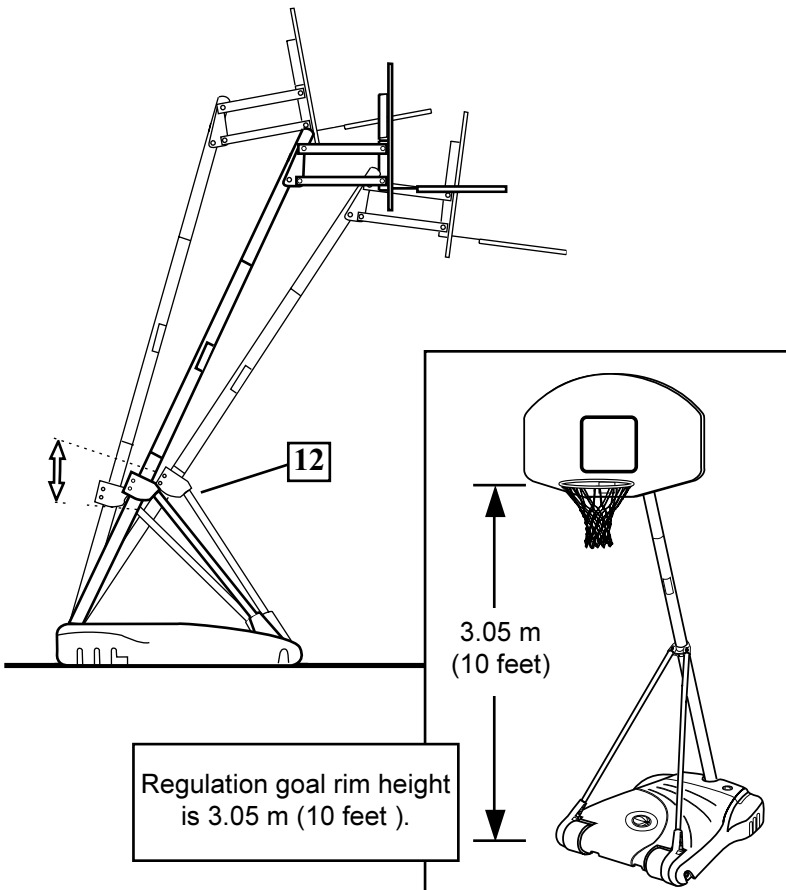
- 24.** Roll completed assembled component to desired position. Fill base with water approx. 106 liters (28 gallons) or sand approx. 102 kg (225 lb.) and snap cap (43) in place. Secure component to ground using rope (44) and tie down stake (45).

WARNING
DO NOT LEAVE COMPONENTS UNDER ASSEMBLY UNATTENDED WHEN EMPTY, MAY TIP OVER.

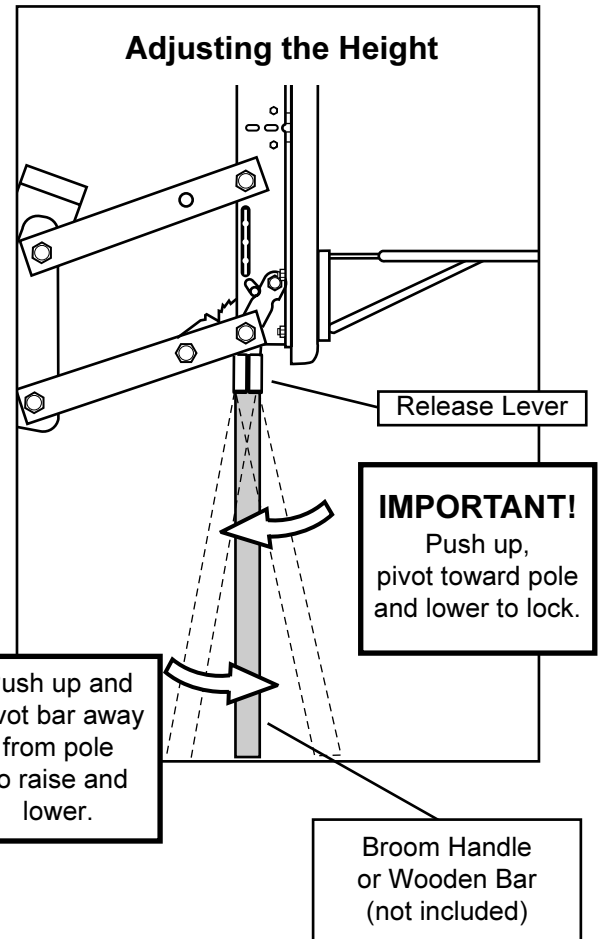


IMPORTANT!
Add 7.6 liters (two gallons) of NON-TOXIC ANTIFREEZE in sub-freezing climates.

- 25.** Make final adjustments to level the goal rim. If the backboard and goal rim are tipped back, raise collar (12) until level and tighten. If backboard and goal rim are tipped forward, lower collar (12) until level and tighten. Maximum adjustment travel is 81-91cm (32" to 36") from bottom of pole to top of collar (12).



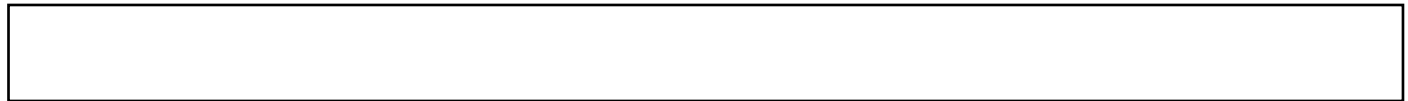
- 26.** Insert the end of a broom handle or wooden bar 19-22 mm (3/4"-7/8") diameter into the release lever.



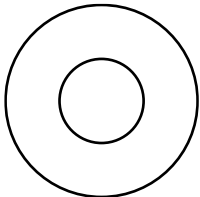
PARTS LIST

<u>Item</u>	<u>Qty.</u>	<u>Part No.</u>	<u>Description</u>	<u>Item</u>	<u>Qty.</u>	<u>Part No.</u>	<u>Description</u>
1	1	800826	Base, (Gray)	23	1	800876	Pawl & Pin Component
2	2	202808	Wheel, (Black)	24	1	201126	Release Lever
3	1	202935	Strut Holder - Right, (Black)	25	1	201124	Locknut, Hex Head, 3/8-16
	1	202936	Strut Holder - Left, (Black)	26	1	240017	Bolt, Hex Head, 1/4-20 x 2-1/4 Long
	1	202924	Strut Holder - Right, (Blue)	27	1	203493	Locknut, Hex Head, 1/4-20
	1	202925	Strut Holder - Left, (Blue)	28	5	201640	Bolt, Hex Head, 1/2-13 x 7-1/4 Long
4	2	202878	Bolt, Hex Head, 3/8-16 x 8 Long	29	4	900843	Elevator Tube, (Black)
5	8*	203309	Washer, 3/8 I.D. x 1 O.D.	30	4	201642	Spacer, Plastic
6	2	207252	Spacer, 1/2 O.D. x 7-1/4 Long	31	1	201140	Wave Washer
7	3	203063	Nylon Insert Lock Nut, 3/8-16	32	1	201121	Ratchet
8	2	902825	Strut, 1-1/4 O.D. x 43 Long	33	6	201646	Locknut, Hex Head, 1/2-13
9	4	203157	Bolt, Carriage Head, 5/16-18 x 2-1/4 Long	34	1	201125	Spring
10	6	203218	Washer, 5/16 Flat	35	4	201611	Bolt, Hex Flange, 5/16-18 x 3 Long
11	12	203100	Hex Flange Nut 5/16-18	36	2	203038	Carriage Bolt, 5/16-18 x 2-3/4 Long
12	1	202931	Collar, Pole/Strut, (Black)	37	1		Goal Rim
	1	202922	Collar, Pole/Strut, (Blue)	38	1		Net
13	1	900873	Top Pole, (Black)	39	1	201139	Bolt, Hex Head, 1/2-13 x 4-1/2 Long
14	2	900869	Middle & Bottom Poles, (Black)	40	2	900867	Plate, Triangle, (Black)
15	1	202820	Rod, 3/8 O.D. x 4-3/4 Long	41	4	201651	Spacer, 1/2 I.D. x 1-1/8 O.D. x 1/4
16	1	202822	Eyebolt, 3/8-16 x 3-3/4 Long	42	1	202814	Cap, Pole Top
17	1	202821	Disk, 2-3/4 Diameter	43	1	203617	Plug Cap
18	2	203108	Bolt, Carriage Head, 5/16-18 x 2-1/2 Long	44	1	204444	Black Nylon Rope
19	2	900846	Board Bracket, (Black)	45	1	203124	Stake, Tie Down
20	1	201122	Bolt, Hex Head, 3/8-16 x 3-1/4 Long				
21	2	201133	Support Bracket				
22	2	201129	Spacer, 1-3/4 Long				

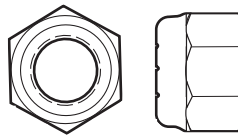
HARDWARE IDENTIFIER



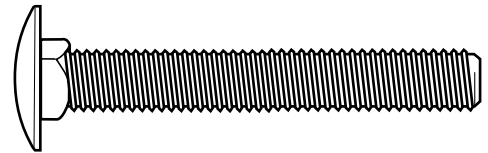
Item #6 (2)



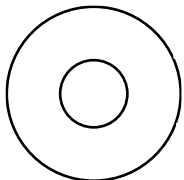
Item #5 (8)*



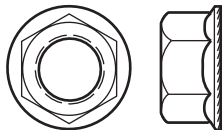
Item #7 (3)



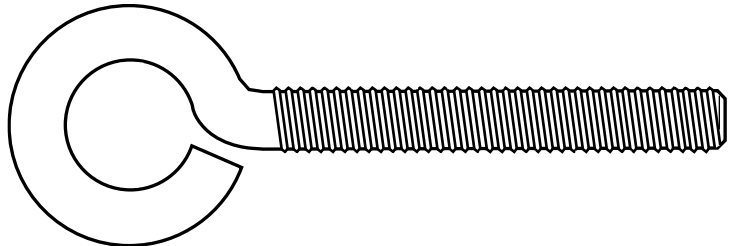
Item #9 (4)



Item #10 (6)



Item #11 (12)



Item #16 (1)



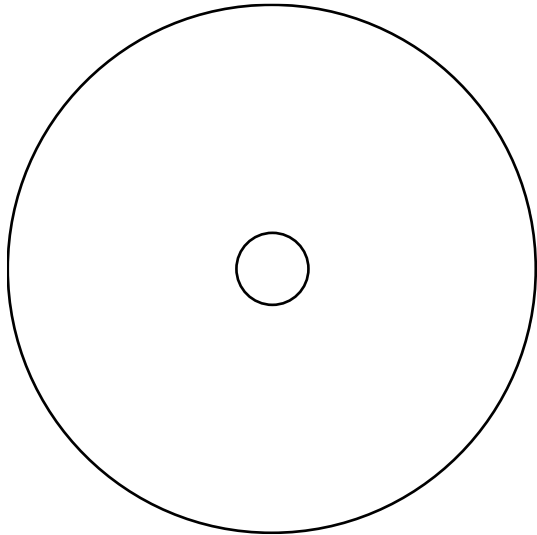
Item #15 (1)

* YOU MAY HAVE EXTRA PARTS WITH THIS MODEL.

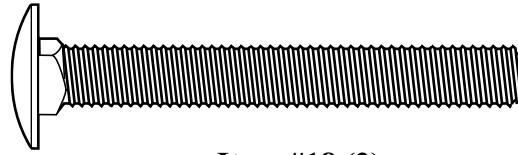
HARDWARE IDENTIFIER (CONTINUED)



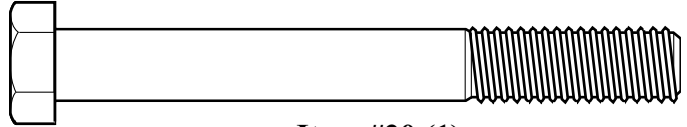
HARDWARE IDENTIFIER



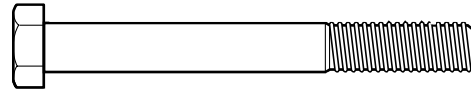
Item #17 (1)



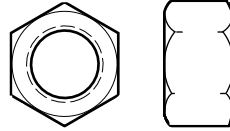
Item #18 (2)



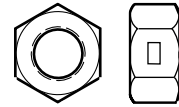
Item #20 (1)



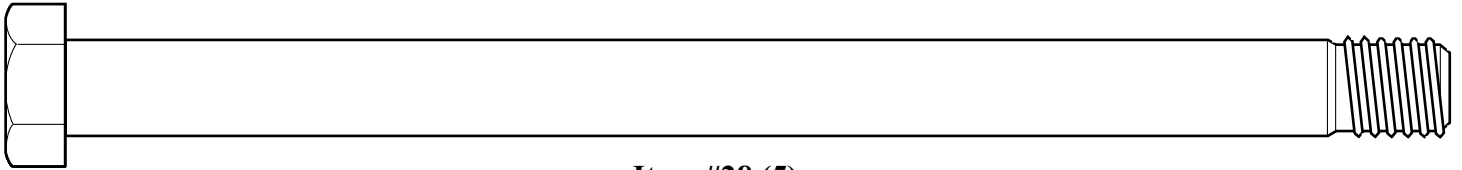
Item #26 (1)



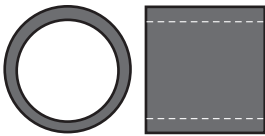
Item #25 (1)



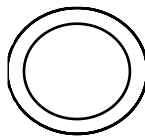
Item #27 (1)



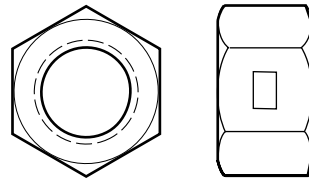
Item #28 (5)



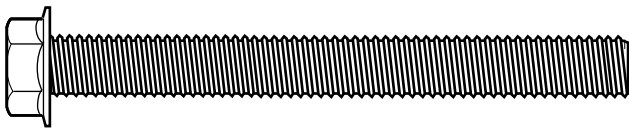
Item #30 (2)



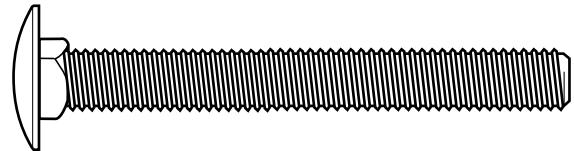
Item #31 (1)



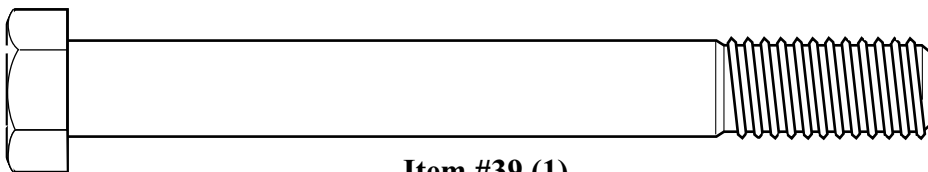
Item #33 (6)



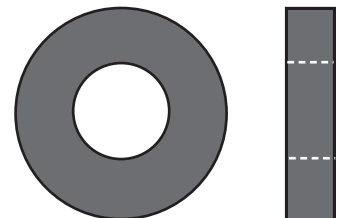
Item #35 (4)



Item #36 (2)



Item #39 (1)



Item #41 (4)

