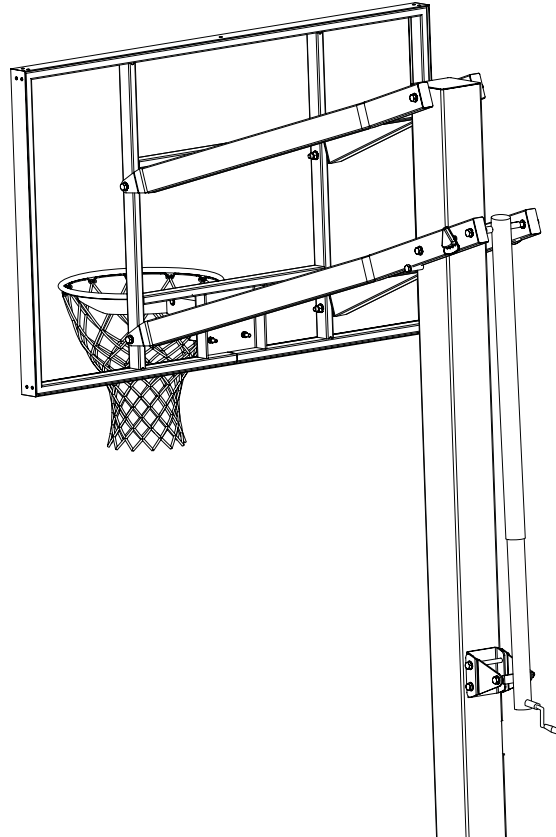


# In-Ground Basketball System Owners Manual

Customer Service Center  
• N53 W24700 South Corporate Circle • Sussex, WI 53089 • U.S.A.



Write Model Number  
From Box Here:


## ! WARNING!




READ AND UNDERSTAND  
OPERATOR'S MANUAL  
BEFORE USING THIS UNIT.

FAILURE TO FOLLOW  
OPERATING INSTRUCTIONS  
COULD RESULT IN INJURY  
OR DAMAGE TO  
PROPERTY.

## REQUIRED TOOLS AND MATERIALS:


 • 3 Capable Adults

 • Carpenter's Level

 • 15' Tape Measure

 • Shovel & Post Hole Digger


 • Phillips Screwdriver



 • (1) Utility Knife

 • (2) Stepladders 8 ft. (2.4 m)

 • Safety Goggles

• (2 each) Wrenches and/or Socket Wrenches and Sockets (Deep-Well Sockets are Recommended).

  
3/8"   1/2"   9/16"   3/4"   15/16"

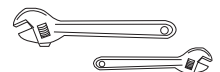
  
  
3/8"   1/2"   9/16"   3/4"   15/16"

**CONCRETE**  
• 1260 LBS.  
(572 KG.)

• Container to Mix



• Optional: Large & Small Adjustable Wrenches



Toll-Free Customer Service Number for U.S: 1-800-558-5234 Canada Only: 1-800-284-8339  
Internet Address: <http://www.hydra-rib.com>

# SAFETY INSTRUCTIONS

FAILURE TO FOLLOW THESE SAFETY INSTRUCTIONS MAY RESULT IN SERIOUS INJURY, PROPERTY DAMAGE AND WILL VOID WARRANTY.

*Owner must ensure that all players know and follow these rules for safe operation of the system.*

To ensure safety, do not attempt to assemble this system without following the instructions carefully. Proper and complete assembly, use and supervision is essential for proper operation and to reduce the risk of accident or injury. A high probability of serious injury exists if this system is not installed, maintained, and operated properly. Check entire box and inside all packing material for parts and/or additional instructional material. **Before beginning assembly, read the instructions and identify parts using the hardware identifier and parts list in this document.**

- If using a ladder during assembly, use extreme caution.
- Three (3) people are recommended for this operation.
- Seat the pole sections properly. Failure to do so could allow the pole sections to separate during play.
- Before digging, contact utility company to locate underground power cables, gas, and water lines. Ensure there are no overhead power lines within 20 ft. (7 m) radius of pole location.
- Climate, corrosion, excessive use, or misuse could result in system failure.
- If technical assistance is required, contact Customer Service.
- Minimum operational height is 6' 6" (1.98 m) to the bottom of backboard.
- This equipment is intended for home recreational use only and NOT excessive competitive play.
- Read and understand the warning label affixed to pole.
- The life of your basketball pole depends on many conditions. The climate, placement of the pole, the location of the pole, exposure to corrosives such as pesticides, herbicides or salts are all important.
- Adult supervision is recommended when adjusting height.
- Serious injury could occur if teeth/face come in contact with backboard, net, or rim.

*Most injuries are caused by misuse and/or not following instructions. Use caution when using this system.*

For more information on assembly, placement, proper use and maintenance, visit The American Basketball Council website at <http://www.smarthoops.com>.



## WARNING

Read and understand warnings listed below before using this product.

Failure to follow these warnings may result in serious injury and/or property damage.

Owner must ensure that all players know and follow these rules for safe operation of the system.

- DO NOT HANG on the rim or any part of the system including backboard, support braces or net.
- During play, especially when performing dunk type activities, keep player's face away from the backboard, rim and net. Serious injury could occur if teeth/face come in contact with backboard, rim or net.
- Do not slide, climb, shake or play on base and/or pole.
- When adjusting height or moving system, keep hands and fingers away from moving parts.
- Do not allow children to move or adjust system.
- During play, do not wear jewelry (rings, watches, necklaces, etc.). Objects may entangle in net.
- Keep organic material away from pole base. Grass, litter, etc. could cause corrosion and/or deterioration.
- Check pole system for signs of corrosion (rust, pitting, chipping) and repaint with exterior enamel paint. If rust has penetrated through the steel anywhere, replace pole immediately.
- Check system before each use for proper ballast, loose hardware, excessive wear and signs corrosion and repair before use.
- Check system before each use for instability.
- Never play on damaged equipment.
- Keep pole top covered with cap at all times.
- See instruction manual for proper installation and maintenance.

**SPALDING**  
In the U.S.: 1-800-558-5234  
In Canada: 1-800-284-8339

**HYDRA-RIB**  
In the U.S.: 1-800-334-9111

**RUSSELL ATHLETIC**

**SURE SHOT**  
In the U.S.: 1-888-713-5488

**HUFFY SPORTS**  
In the U.S.: 1-800-558-5234  
In Canada: 1-800-284-8339

ID#: 588000 05/05

### WARRANTY CARD:

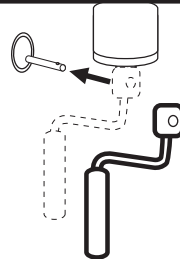
Please remember to complete your product registration form either on-line at:

[www.huffysports.com/customer\\_support/product\\_registration](http://www.huffysports.com/customer_support/product_registration) or mail-in the enclosed postcard.

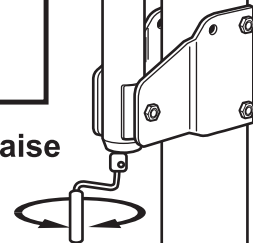
31

## HEIGHT ADJUSTMENT

Remove locking pin to remove handle.

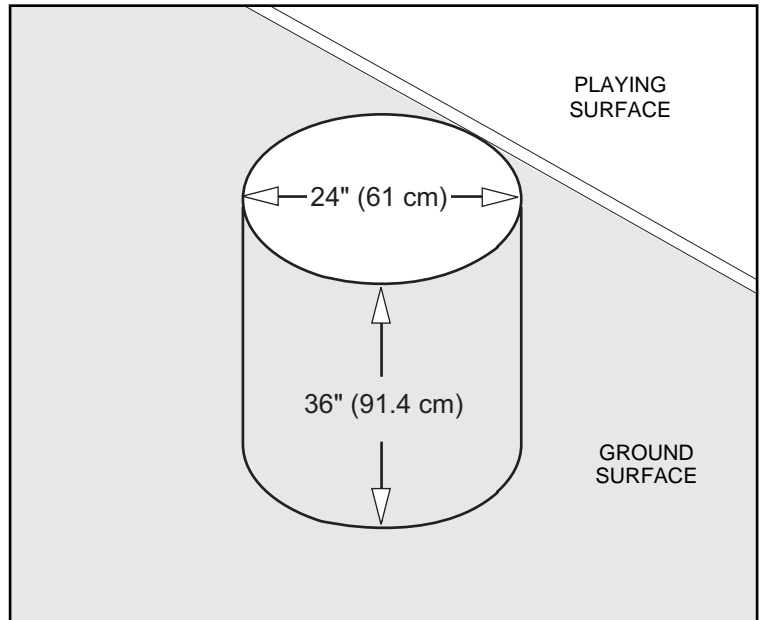
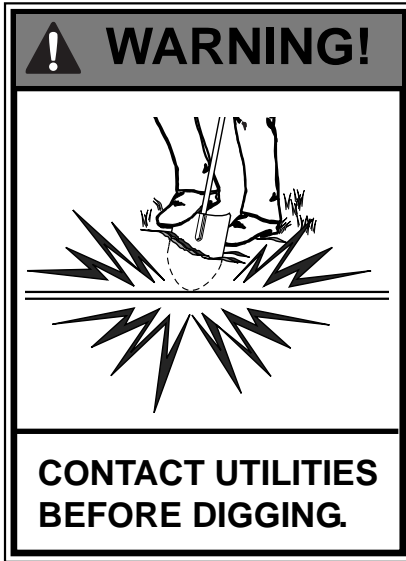


Rotate crank handle to raise and lower backboard.

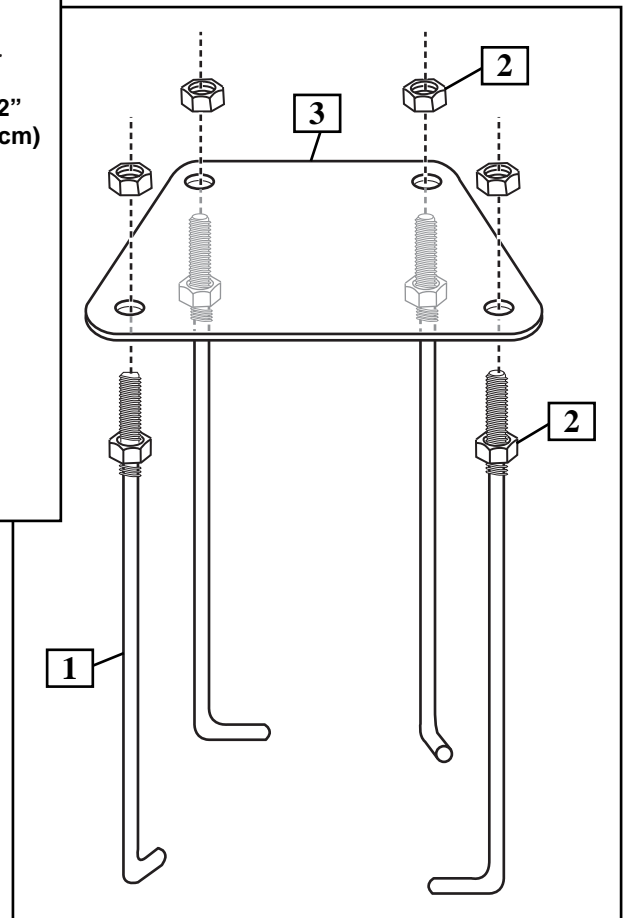
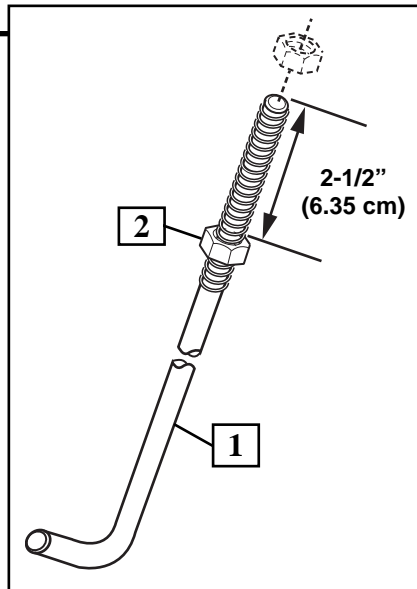
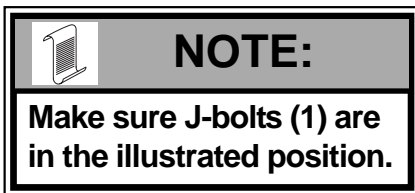
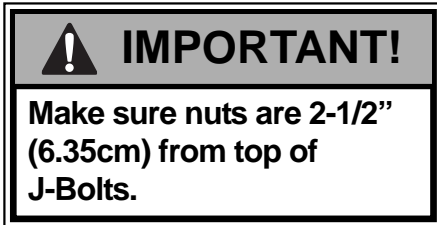


200685 4/01

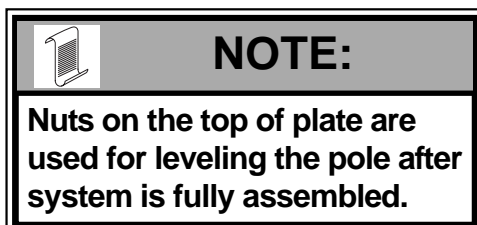
1. Ensure ground is level with playing surface, then dig pole hole.

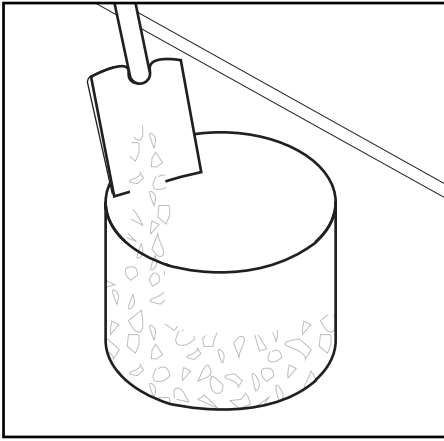


2. Install nut (2) to J-bolt (1) as shown. Repeat procedure for other three J-bolts (1).

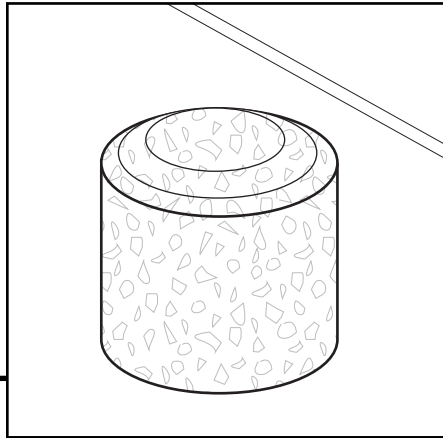


3. Install threaded ends of J-bolts (1) through holes in mounting plate (3) and secure as shown.



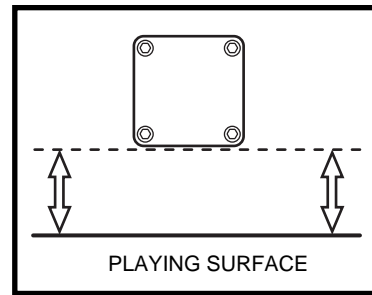


**4.** Fill hole with concrete. Tamp down concrete to release air pockets and build drainage hill.



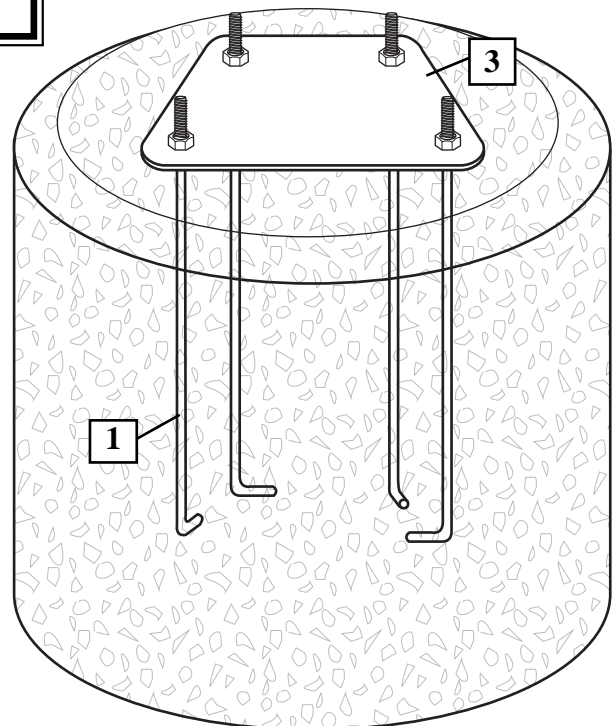
**5.** Insert J-bolts (1) from mounting plate (3) into cement as shown. Move assembly around to release any air pockets in cement, then rest mounting plate on cement drainage hill. Apply some pressure to level mounting plate on top of drainage hill. Level mounting plate and square with playing surface. Clean off any excess cement on mounting plate at this time.

**! IMPORTANT!**  
Front of mounting plate (3)  
must be parallel with  
playing surface.



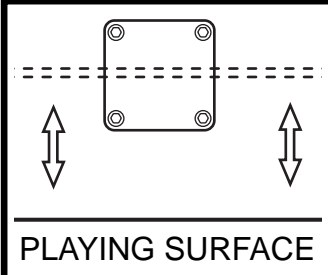
**! WARNING!**  
DO NOT PROCEED UNTIL  
CONCRETE HAS CURED! A  
MINIMUM OF 72 HOURS. ALLOW  
ADDITIONAL TIME FOR COLD,  
WET OR HUMID WEATHER.

**! IMPORTANT!**  
Check leveling of mounting  
plate several times with  
carpenter's level while  
concrete is curing.

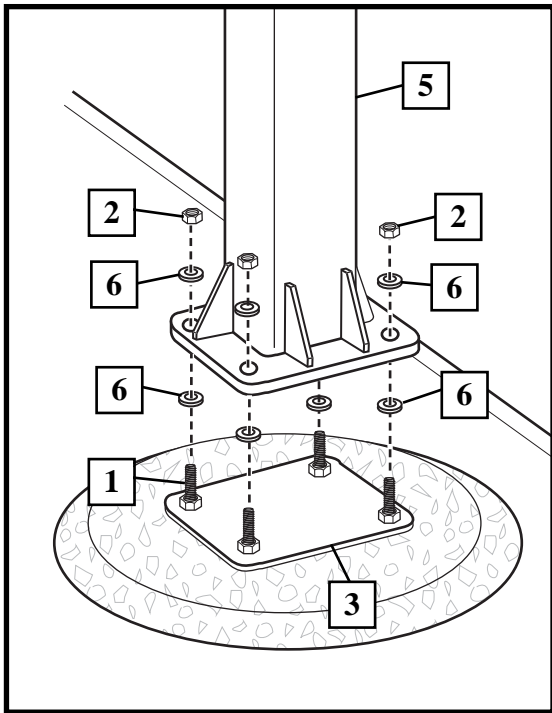


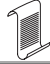
	<b>! WARNING!</b>
	<p><b>THREE PEOPLE REQUIRED FOR THIS PROCEDURE. FAILURE TO FOLLOW THIS WARNING COULD RESULT IN SERIOUS INJURY AND/OR PROPERTY DAMAGE.</b></p>

- 6.** Upright pole (5). Assemble lower pole flange onto protruding J-bolts (1) as shown. The flange will then rest on the nuts (2).

	<b>! IMPORTANT!</b>
	<p><b>Holes in pole must be parallel with playing surface.</b></p>

- 7.** Secure pole (5) flange to mounting plate (3) as shown. Tighten completely.



	<b>NOTE:</b>
	<p><b>Position crank jack mounting as shown.</b></p>

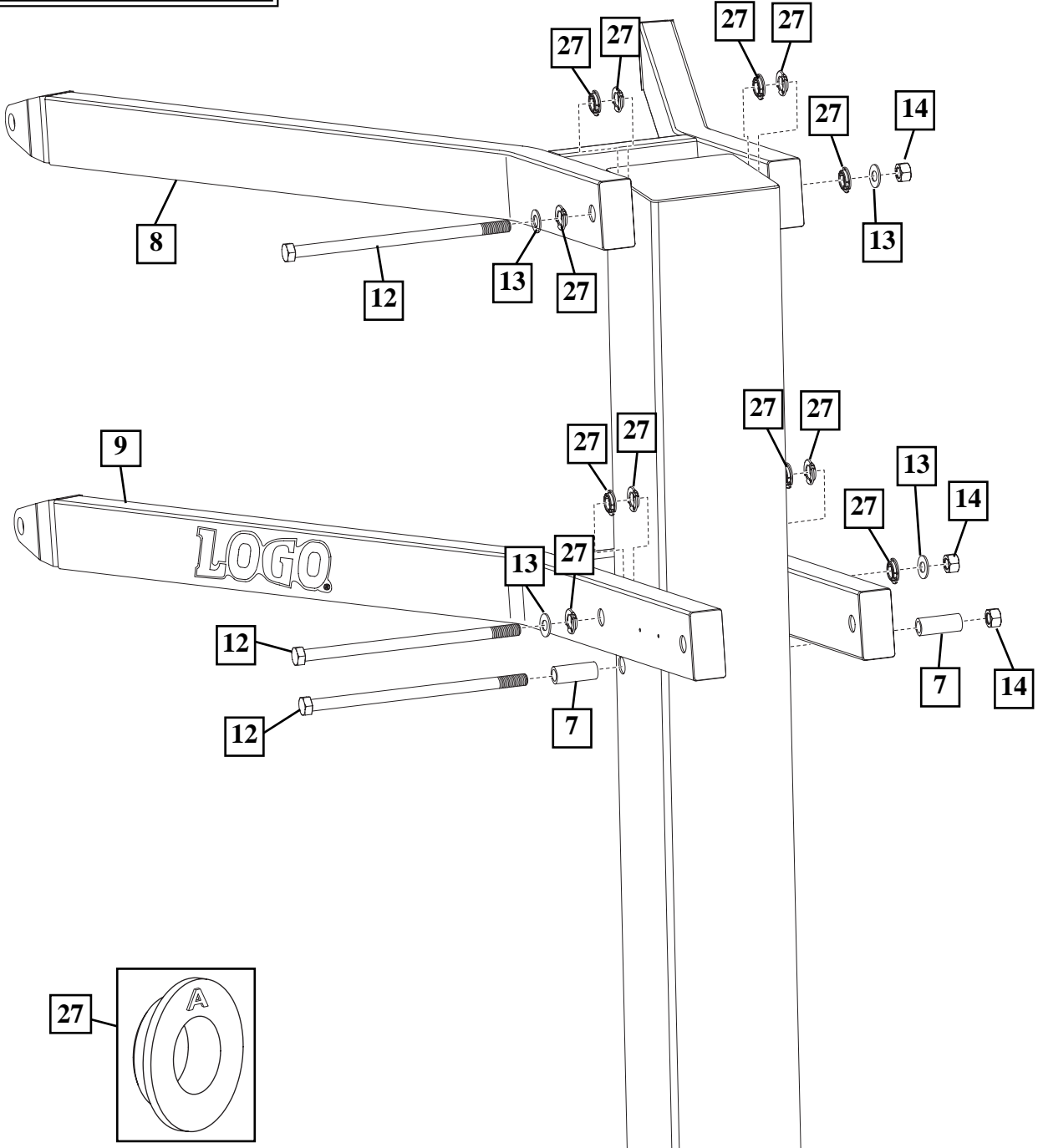


8.

Beginning with upper support arm (8) secure support arms to pole. Continue by securing lower support arm (9) as shown.

**IMPORTANT!**  
Do Not Over Tighten.

**WARNING!**  
THREE PEOPLE REQUIRED FOR THIS PROCEDURE. FAILURE TO FOLLOW THIS WARNING COULD RESULT IN SERIOUS INJURY AND/OR PROPERTY DAMAGE.

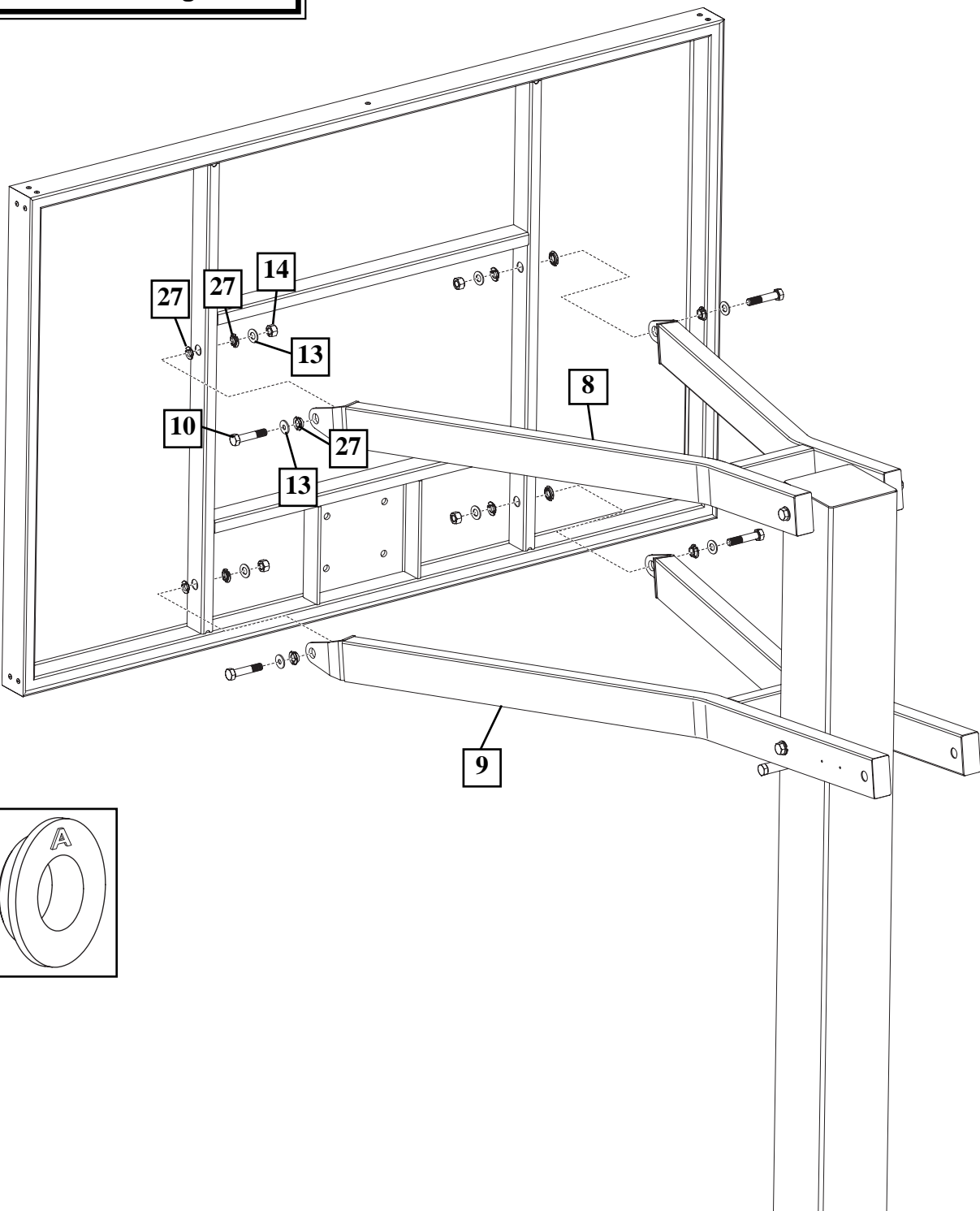


9.

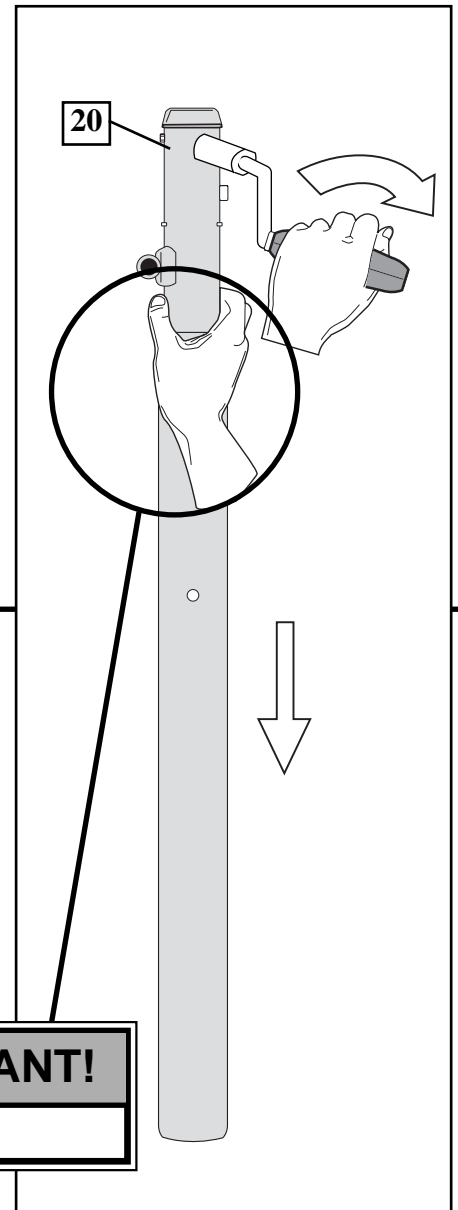
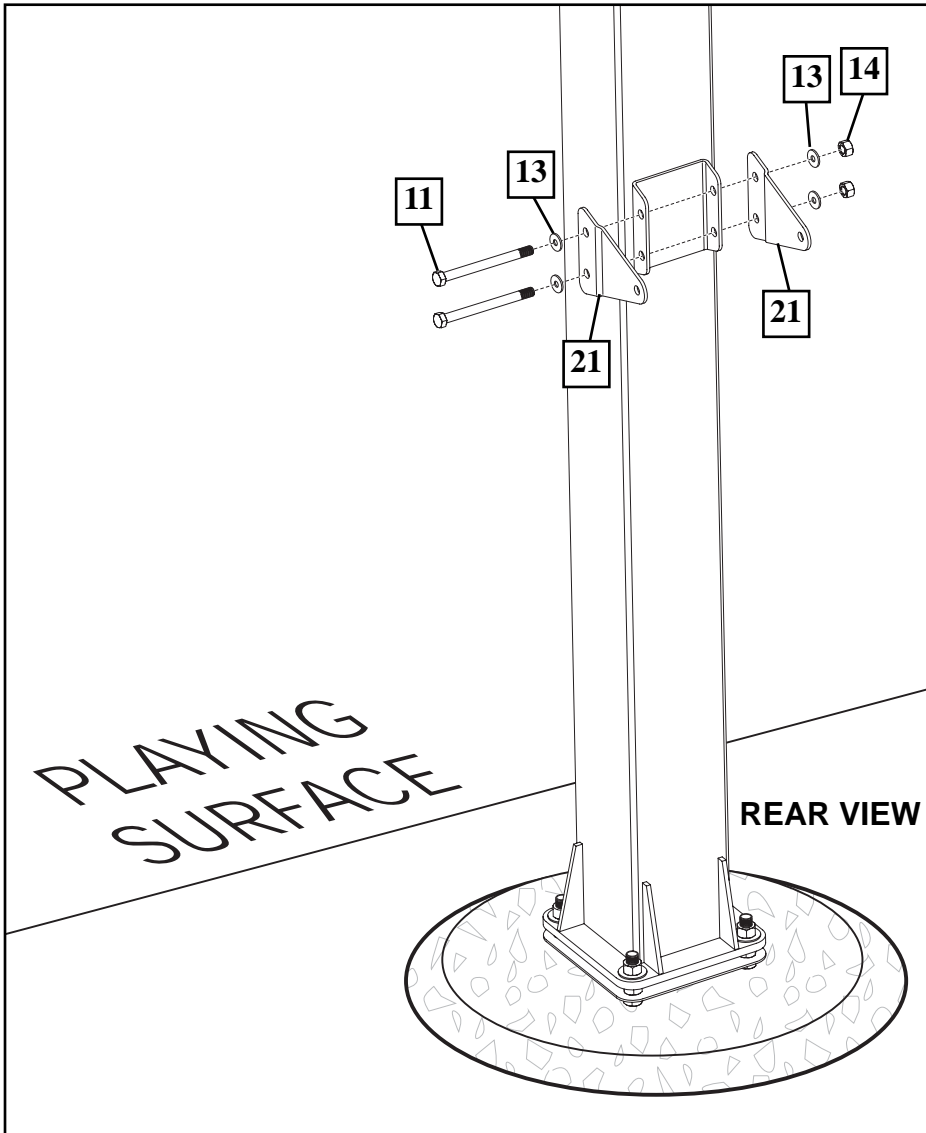
Secure backboard to support arms (8 and 9) as shown.

Use same hardware combination for attaching both elevator tubes to the backboard.

**! IMPORTANT!**  
**Do Not Over Tighten.**



**10.** Secure jack brackets (21) to mounting bracket as shown.



**11.**



**NOTE:**

Position U-joint of crank jack (20) as shown. Where tubes on crank jack join, hold steady to keep both tubes from rotating. Rotate handle clockwise on crank jack to the fully extended position.



**IMPORTANT!**

Hold Here.



12.

A. Replace spacer in jack (20) with spacer (4). Insert through top of screw jack (20) as shown.

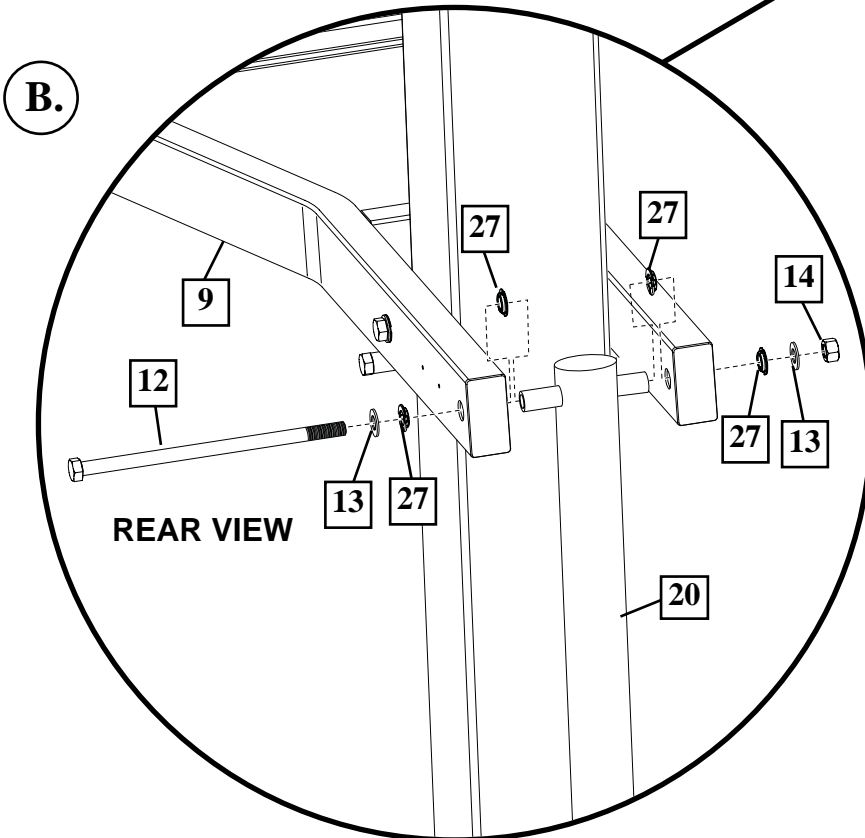
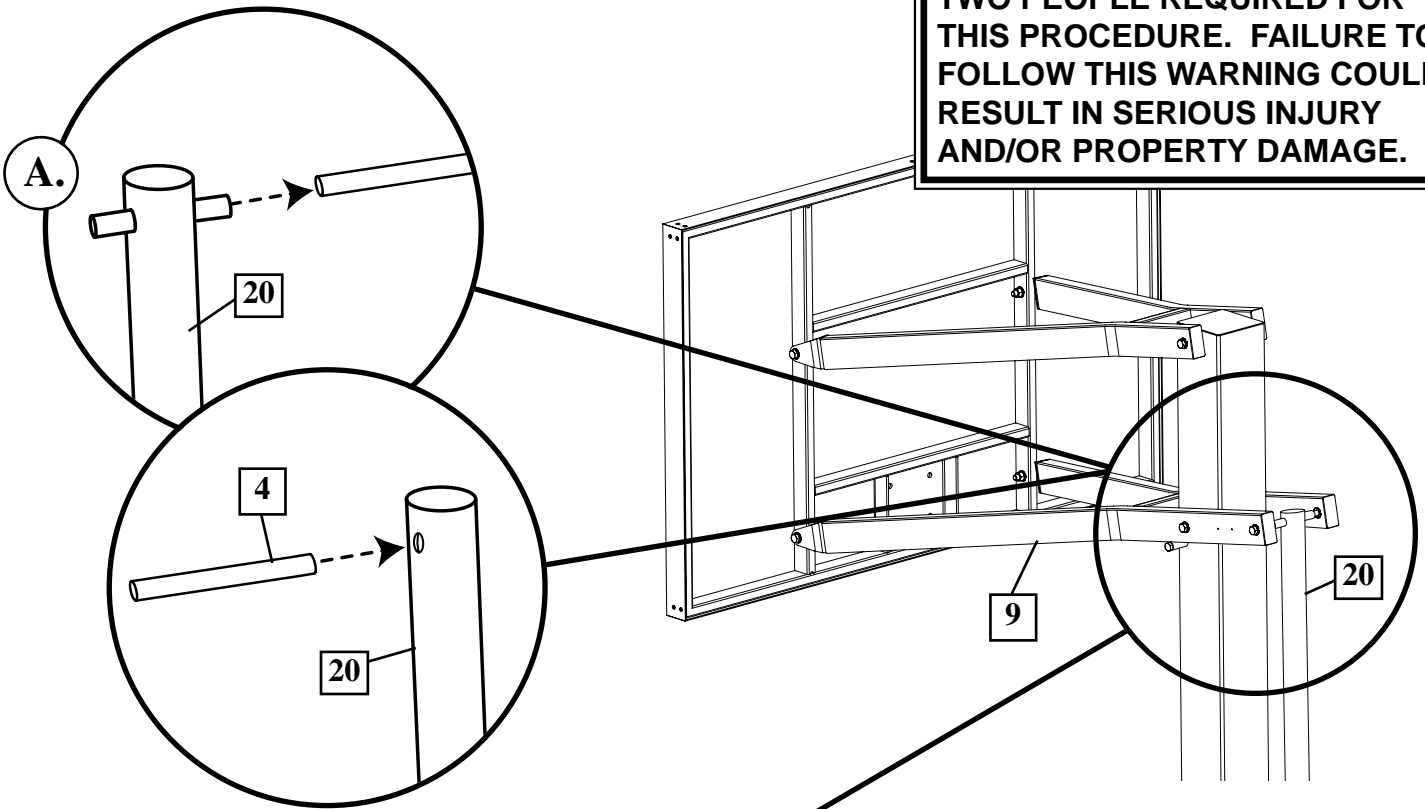
B. Install crank jack (20) U-joint to lower support arm (9) as shown.



**WARNING!**

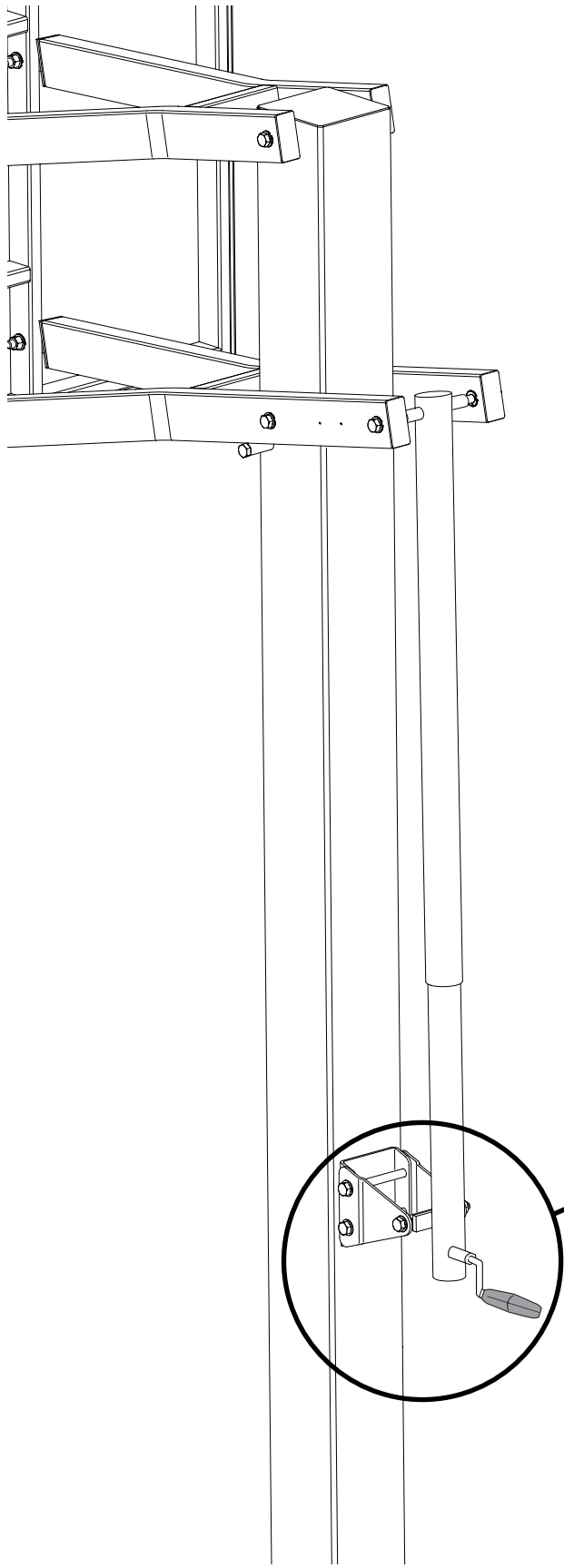


**TWO PEOPLE REQUIRED FOR THIS PROCEDURE. FAILURE TO FOLLOW THIS WARNING COULD RESULT IN SERIOUS INJURY AND/OR PROPERTY DAMAGE.**



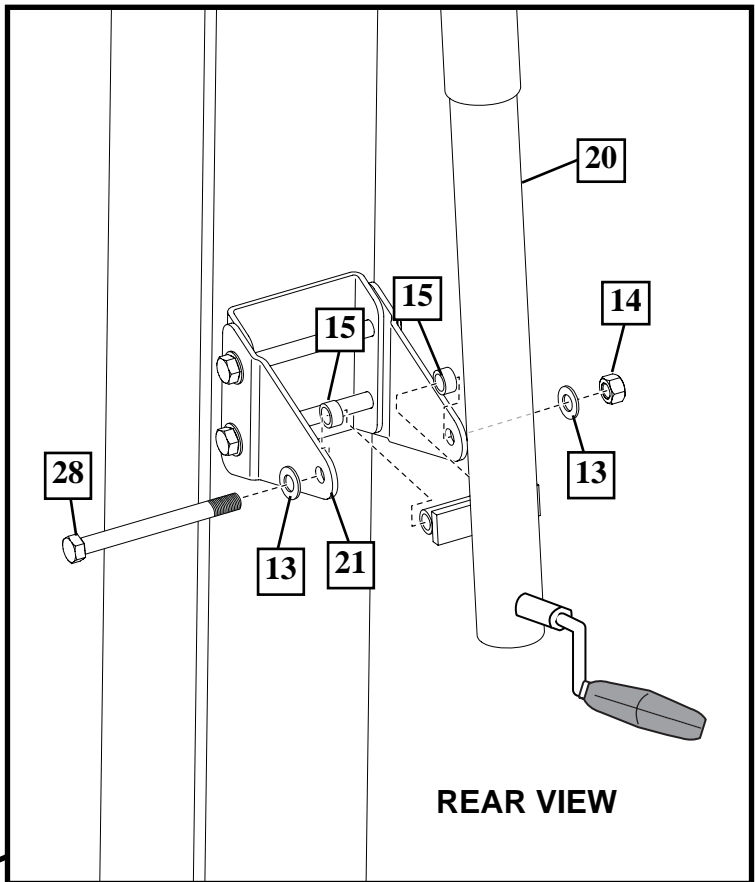
**IMPORTANT!**  
Do Not Over Tighten.

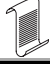
13. Rotate jack handle until jack (20) aligns with jack brackets (21). Secure crank jack (20) to jack brackets (21) as shown.



 **WARNING!** 

**TWO PEOPLE REQUIRED FOR THIS PROCEDURE. FAILURE TO FOLLOW THIS WARNING COULD RESULT IN SERIOUS INJURY AND/OR PROPERTY DAMAGE.**



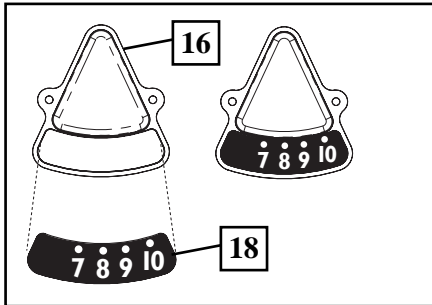
 **NOTE:**

**Some adjustment will be necessary to align the lower crank jack and bushings to jack brackets (21).**

14. A. Apply height indicator labels (18 and 19) to height indicators (16).

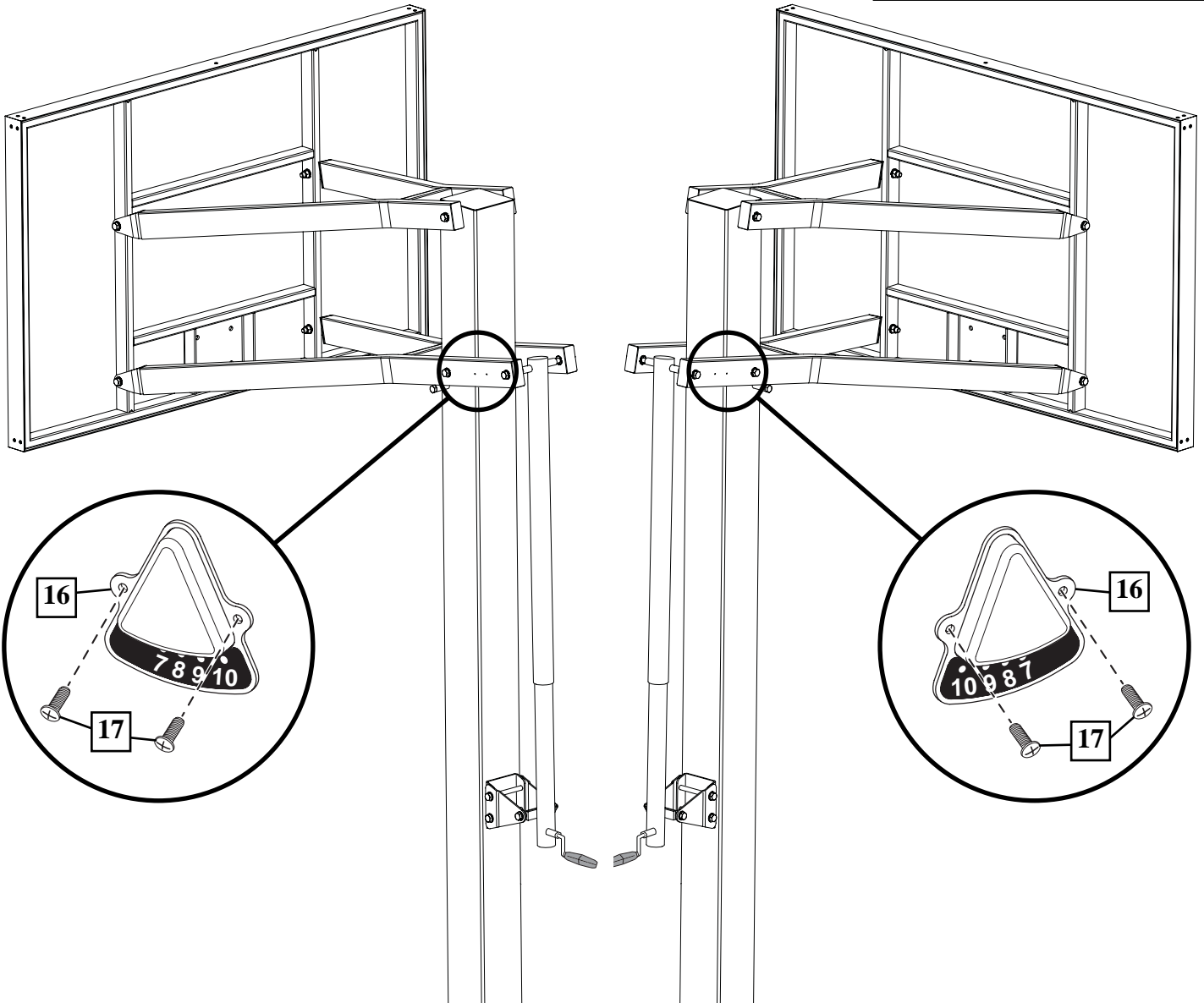
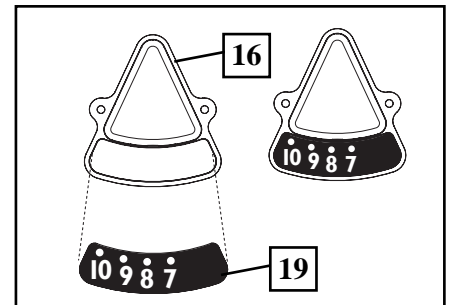
B. Attach height indicators (16) to lower arm in areas as shown by turning screws (17) into place with a phillips screwdriver.

### Set-up For Right Side

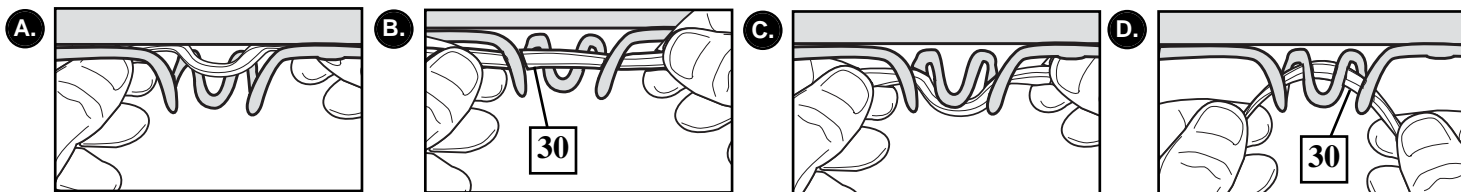


**! IMPORTANT!**  
Note Orientation of Height Indicators: 10' Mark Should Face Away From Backboard.

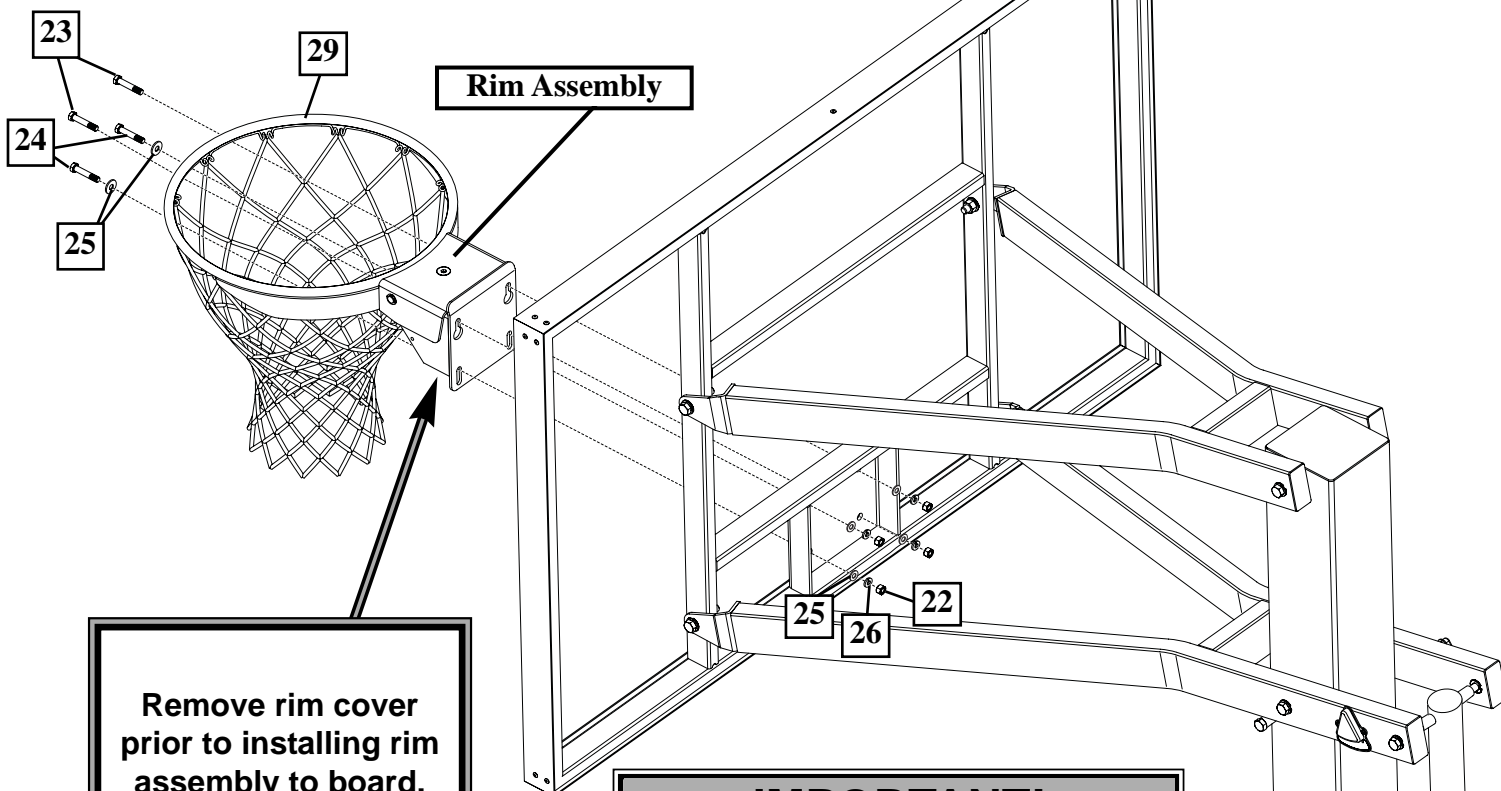
### Set-up For Left Side



15. Install net (30) to rim as shown.




16. Attach rim assembly (29). *For rim assembly, see instructions included with rim.*

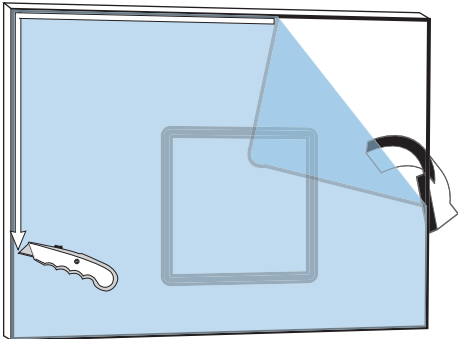


Remove rim cover prior to installing rim assembly to board.


Refer To Instructions Included With Rim Hardware For Rim Assembly.

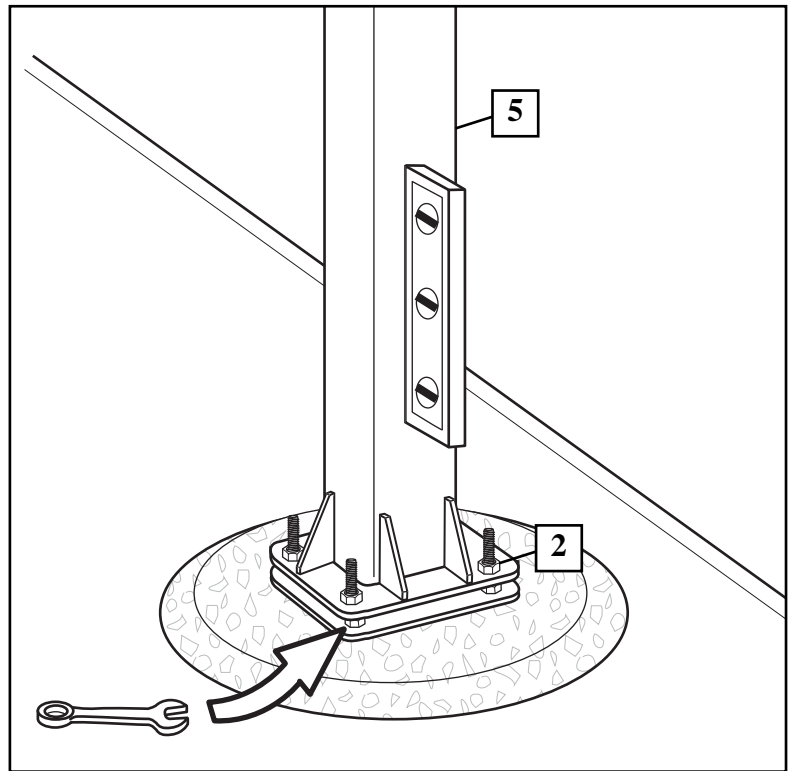
**IMPORTANT!**

 Carefully cut and peel protective film away from board prior to attaching rim.

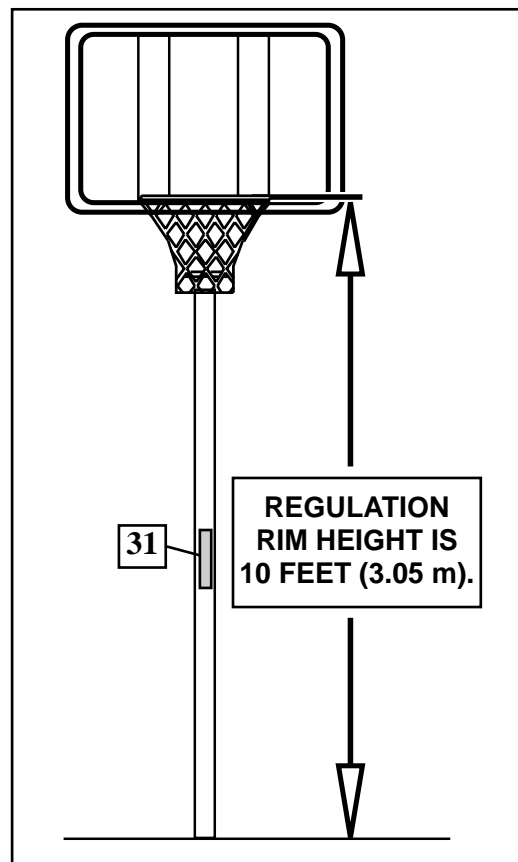


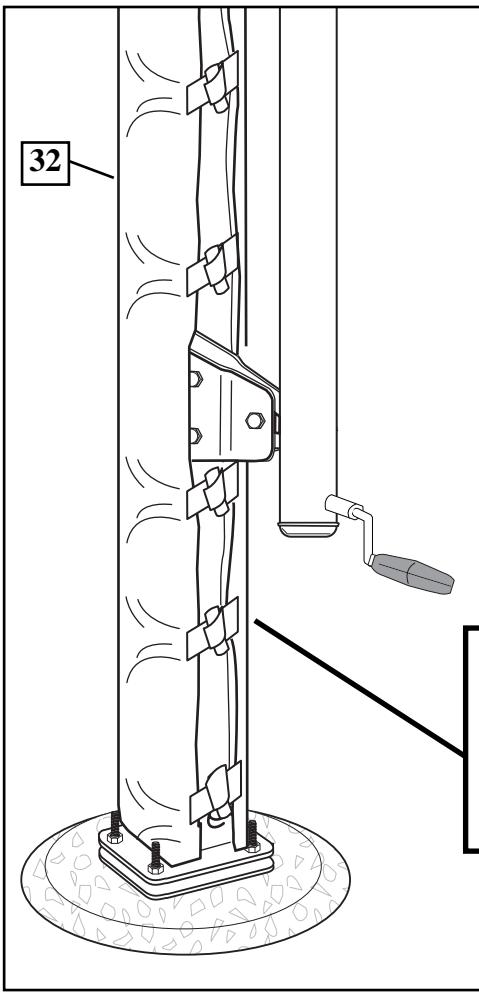
- 17.** Check leveling at this time. Pole (5) should be level in all directions. After system is leveled, completely tighten nuts (2) above pole flange.

 **NOTE:**  
If adjustment is necessary, adjust system by rotating the nuts (2) between mounting plate (3) and pole flange.



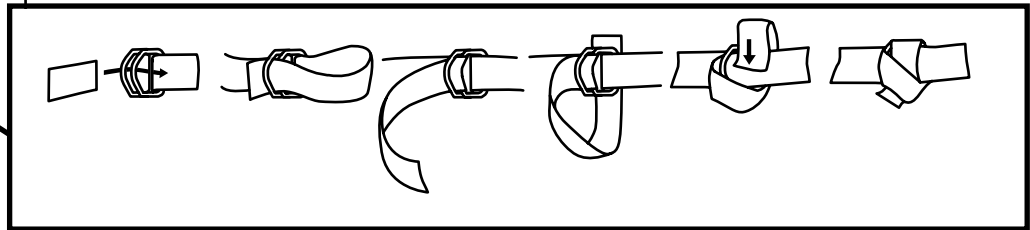
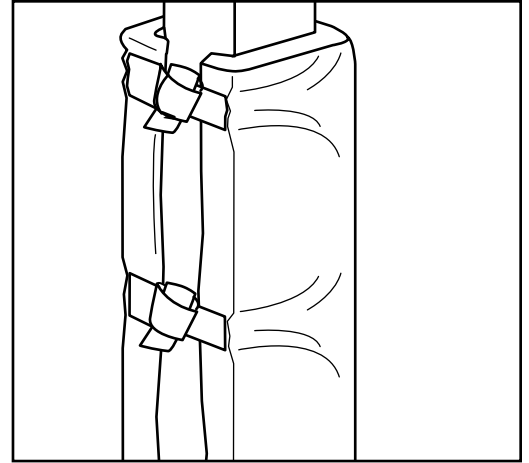
- 18.** Apply height adjustment label (31) to front of pole as shown.






**19.** Secure pole pad (32) as shown.

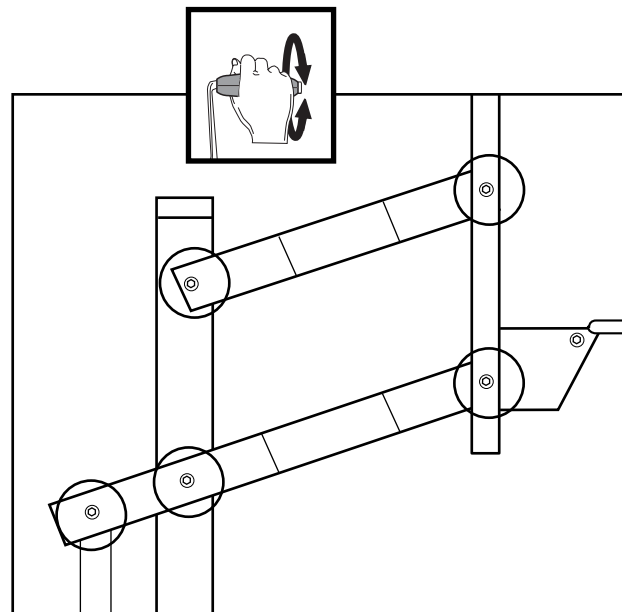
 **NOTE:**  
Pole pad may NOT be included in this model.



## Height Adjustment

**20.** Rotate crank handle to raise or lower backboard.

 **NOTE:**  
If height adjustment is difficult to operate, you may have over tightened the areas indicated.

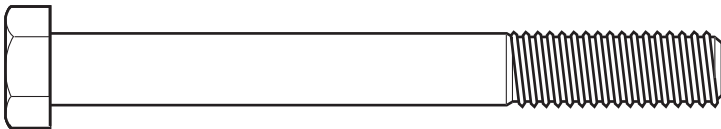


# PARTS LIST

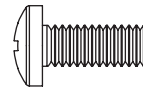
<input checked="" type="checkbox"/> <u>Item</u>	<u>Qty.</u>	<u>Part No.</u>	<u>Description</u>	<input checked="" type="checkbox"/> <u>Item</u>	<u>Qty.</u>	<u>Part No.</u>	<u>Description</u>
<input type="checkbox"/> 1	4	200573	J-Bolt, 1/2-13 x 24" Long	<input type="checkbox"/> 18	1	204739	Label, Height Indicator, Right
<input type="checkbox"/> 2	12	265575	Nut, Hex, 5/8-11	<input type="checkbox"/> 19	1	204740	Label, Height Indicator, Left
<input type="checkbox"/> 3	1	900661	Anchor Plate	<input type="checkbox"/> 20	1	222880	Crank, Jack
<input type="checkbox"/> 4	1	205714	Spacer, 0.53 I.D. x 1 O.D. x 5" Long	<input type="checkbox"/> 21	2	908292	Bracket, Crank Jack Support
<input type="checkbox"/> 5	1	908284	Pole	<input type="checkbox"/> 22	4	205702	Nut, Hex, 3/8-16
<input type="checkbox"/> 6	8	200704	Washer, 5/8" x 1.5 O.D.	<input type="checkbox"/> 23	2	205701	Bolt, Carriage, 3/8-16 x 3.5" Long
<input type="checkbox"/> 7	2	205125	Spacer, 0.53 I.D. x 0.75 O.D. x 1.88" Long	<input type="checkbox"/> 24	2	205700	Bolt, Hex, Tap, 3/8-16 x 3.5" Long
<input type="checkbox"/> 8	1	908282	Support Arm, Upper	<input type="checkbox"/> 25	6	203309	Washer, Flat, 3/8"
<input type="checkbox"/> 9	1	908283	Support Arm, Lower	<input type="checkbox"/> 26	4*	203300	Washer, 3/8 Locking,
<input type="checkbox"/> 10	4	205711	Bolt, Hex Head, 1/2-13 x 2-1/4" Long	<input type="checkbox"/> 27	28	204670A	Bushing, Plastic
<input type="checkbox"/> 11	2	205516	Bolt, Hex Head, 1/2-13 x 5.75" Long	<input type="checkbox"/> 28	1	205076	Bolt, Hex, 1/2-13 x 5.5" Long
<input type="checkbox"/> 12	4	224728	Bolt, Hex Head, 1/2-13 x 9.25" Long	<input type="checkbox"/> 29	1		Rim
<input type="checkbox"/> 13	20	202651	Washer, Flat, 1/2"	<input type="checkbox"/> 30	1		Net
<input type="checkbox"/> 14	11	206340	Lock Nut, Hex 1/2-13	<input type="checkbox"/> 31	1	200685	Label, Height Adjustment
<input type="checkbox"/> 15	2	205082	Spacer, 0.53 I.D. x 0.75 O.D. x .38 Long	<input type="checkbox"/> 32	1	216555	Pole Pad, Hydra-Rib (May Not Be Included)
<input type="checkbox"/> 16	2	204735	Height Indicator		1	216555S	Pole Pad, Spalding (May Not Be Included)
<input type="checkbox"/> 17	4	204733	Screw, #8 x .050" Long				

\* You May Have Extra Parts With This Model.

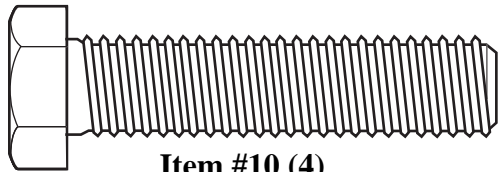
## HARDWARE IDENTIFIER (BOLTS)



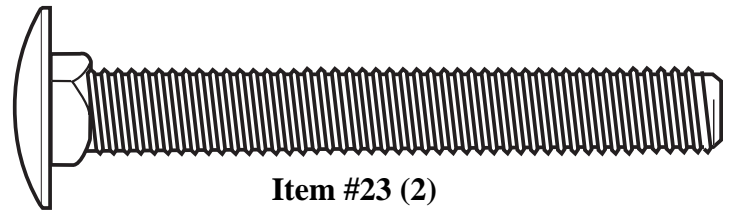
**Item #24 (2)**



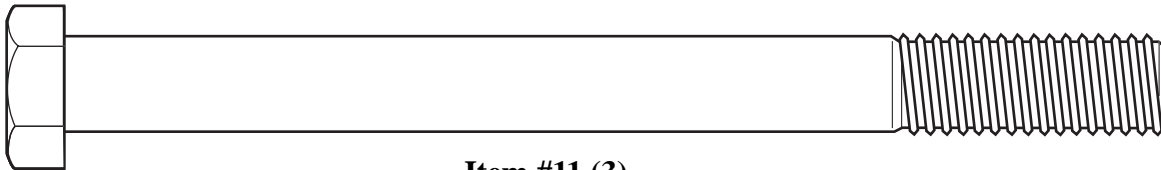
**Item #17 (4)**



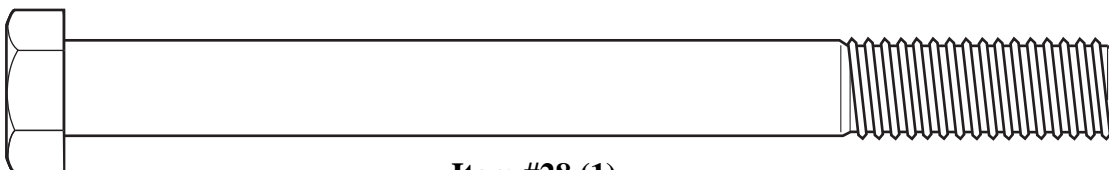
**Item #10 (4)**



**Item #23 (2)**



**Item #11 (3)**

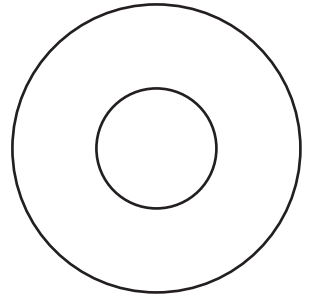


**Item #28 (1)**

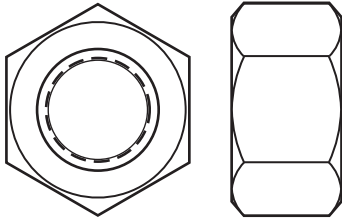
# HARDWARE IDENTIFIER (NUTS, WASHERS & STEEL SPACERS)



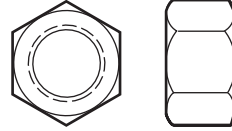
**Item #4 (1)**



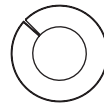
**Item #6 (8)**



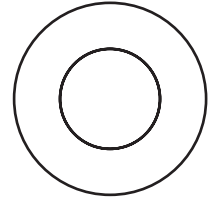
**Item #2 (12)**



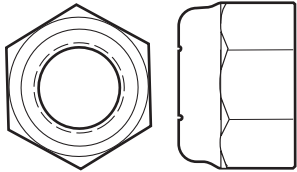
**Item #22 (4)**



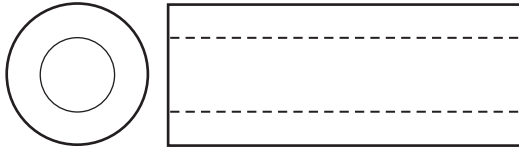
**Item #26 (4)\***



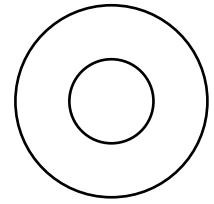
**Item #13 (20)**



**Item #14 (11)**



**Item #7 (2)**

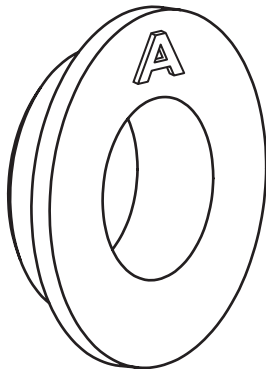


**Item #25 (6)**

# HARDWARE IDENTIFIER (PLASTIC & NYLON SPACERS)



**Item #15 (2)**



**Item #27 (28)**

\* You May Have Extra Parts With This Model.