

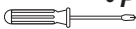
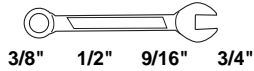


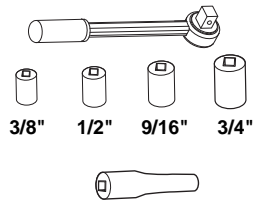
**REQUIRED TOOLS  
AND MATERIALS:**

-  • 2 People
-  • Tape Measure
-  • Wood Board (scrap)
-  • Sawhorse or Support Table
-  • Hammer
-  • Tape
-  • Safety Glasses
-  • Phillips Screwdriver
-  • Scissors

- (2 each) Wrenches and/or Socket Wrenches and Sockets (Deep-Well Sockets are Recommended).

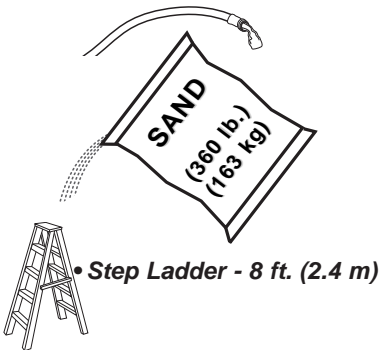


AND/OR



- Extension is Recommended.

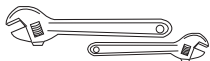
- Garden Hose or Sand



- Step Ladder - 8 ft. (2.4 m)

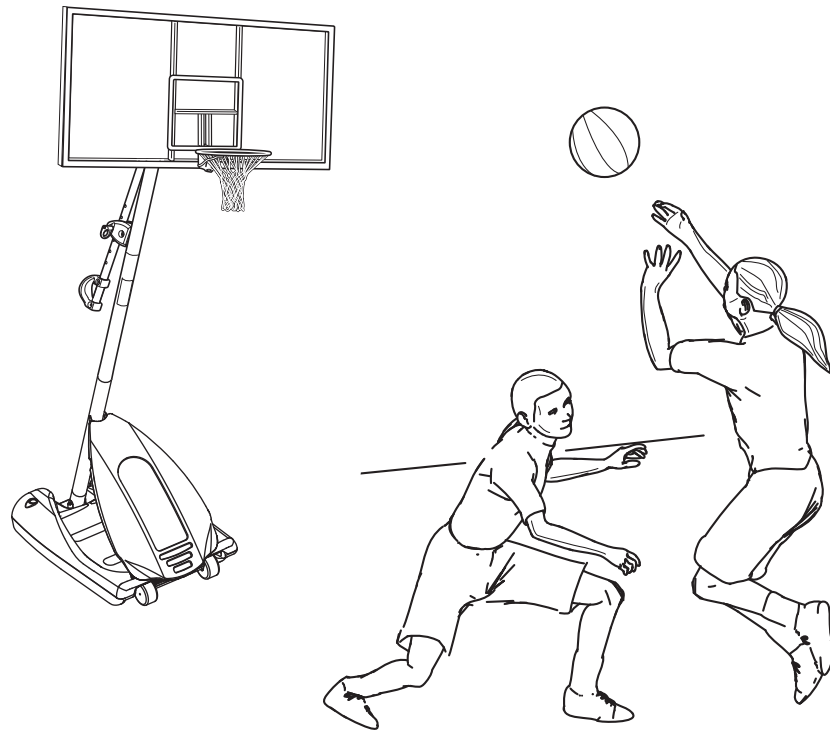
**OPTIONAL TOOLS  
AND MATERIALS:**


- Large & Small Adjustable Wrenches



# Portable System Owners Manual

Customer Service Center  
• N53 W24700 South Corporate Circle • Sussex, WI 53089 • U.S.A.





**! WARNING!**

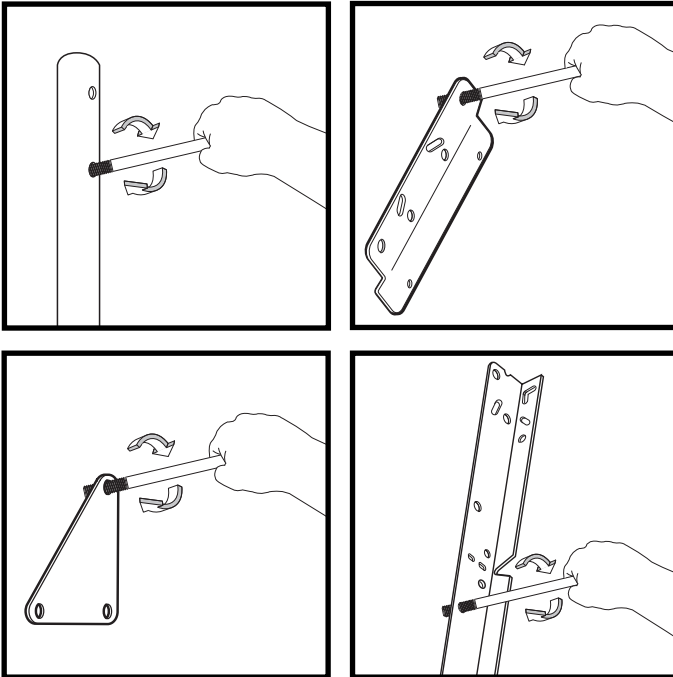
READ AND UNDERSTAND OPERATOR'S MANUAL BEFORE USING THIS UNIT.

FAILURE TO FOLLOW OPERATING INSTRUCTIONS COULD RESULT IN INJURY OR DAMAGE TO PROPERTY.

**Write Model Number  
From Box Here:**

Toll-Free Customer Service Number for U.S: 1-800-558-5234,  
For Canada: 1-800-284-8339,  
For Europe: 00 800 555 85234 (Sweden: 009 555 85234),  
For Australia: 1-800-632 7921  
Internet Address: <http://www.huffysports.com>

# BEFORE YOU START!



To ensure optimal playability of backboard system, a close tolerance fit between the elevator components and hardware is required. Test-fit large bolts into large holes of elevator tubes, backboard brackets, and triangle plates. Carefully rock them in a circular motion to ream out any excess paint from holes if necessary.

Not all items pictured are included with every model.



## **WARNING**

Read and understand warnings listed below before using this product.

Failure to follow these warnings may result in serious injury and/or property damage.

Owner must ensure that all players know and follow these rules for safe operation of the system.

- **DO NOT HANG** on the rim or any part of the system including backboard, support braces or net.
- During play, especially when performing dunk type activities, keep player's face away from the backboard, rim and net. Serious injury could occur if teeth/face come in contact with backboard, rim or net.
- Do not slide, climb, shake or play on base and/or pole.
- After assembly is complete, fill system completely with water or sand. Never leave system in an upright position without filling base with weight, as system may tip over causing injuries.
- When adjusting height or moving system, keep hands and fingers away from moving parts.
- Do not allow children to move or adjust system.
- During play, do not wear jewelry (rings, watches, necklaces, etc.). Objects may entangle in net.
- Surface beneath the base must be smooth and free of gravel or other sharp objects. Punctures cause leakage and could cause system to tip over.
- Keep organic material away from pole base. Grass, litter, etc. could cause corrosion and/or deterioration.
- Check pole system for signs of corrosion (rust, pitting, chipping) and repaint with exterior enamel paint. If rust has penetrated through the steel anywhere, replace pole immediately.
- Check system before each use for proper ballast, loose hardware, excessive wear and signs of corrosion and repair before use.
- Check system before each use for instability.
- Do not use system during windy and/or severe weather conditions; system may tip over. Place system in the storage position and/or in an area protected from the wind and free from personal property and/or overhead wires.
- Never play on damaged equipment.
- When moving system, use caution to keep mechanism from shifting.
- Keep pole top covered with cap at all times.
- Do not allow water in tank to freeze. During sub-freezing weather add 2 gallons of non-toxic antifreeze, sand or empty tank completely and store. (Do not use salt.)
- While moving system, do not allow anyone to stand or sit on base or have added ballasting on base.
- Do not leave system unsupervised or play on system when wheels are engaged for moving.
- Use Caution when moving system across uneven surfaces. System may tip over.
- Use extreme caution if placing system on sloped surface. System may tip over more easily.
- See instruction manual for proper installation and maintenance.

**SPALDING**  
In the U.S.: 1-800-772-5346

**HYDRA-RIB**  
In the U.S.: 1-800-334-9111

**RUSSELL**  
ATHLETIC

**SURE SHOT**  
In the U.S.: 1-888-713-5488

**HUFFY SPORTS**  
In the U.S.: 1-800-558-5234  
Canada: 1-800-284-8339

ID#: 556790 05/05



# SAFETY INSTRUCTIONS



**FAILURE TO FOLLOW THESE SAFETY INSTRUCTIONS MAY RESULT IN SERIOUS INJURY, PROPERTY DAMAGE AND WILL VOID WARRANTY.**

*Owner must ensure that all players know and follow these rules for safe operation of the system.*

To ensure safety, do not attempt to assemble this system without following the instructions carefully. Proper and complete assembly, use and supervision is essential for proper operation and to reduce the risk of accident or injury. A high probability of serious injury exists if this system is not installed, maintained, and operated properly.

- If using a ladder during assembly, use extreme caution.
- Check base regularly for leakage. Slow leaks could cause the system to tip over unexpectedly
- Seat the pole sections properly (if applicable). Failure to do so could allow the pole sections to separate during play and/or during transport of the system.
- Climate, corrosion or misuse could result in system failure.
- If technical assistance is required, contact Huffy Sports.
- Minimum operational height is 6'6" (1.98m) to the bottom of backboard.

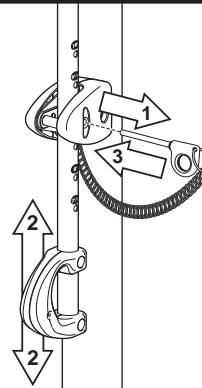
*Most injuries are caused by misuse and/or not following instructions.  
Use caution when using this unit.*

## HEIGHT ADJUSTMENT

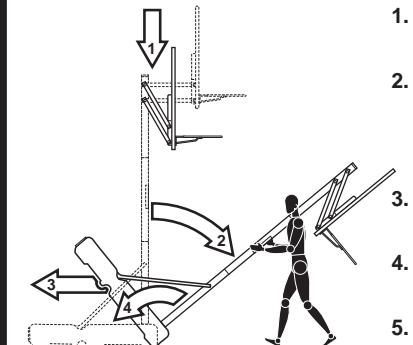
42

**TO ADJUST BACKBOARD:**

1. While holding handle, remove pin.
2. Move elevator up or down to desired height.
3. Replace pin full length to lock system at desired height.



## MOVING SYSTEM



1. Adjust basketball backboard height to lowest position.
2. While holding pole, rotate basketball system forward until wheels engage with ground.
3. Move basketball system to desired location.
4. Carefully rotate basketball system upright.
5. Check system for stability.

511679 05/05



**Questions or Missing Parts?**

**DON'T go back to store!**

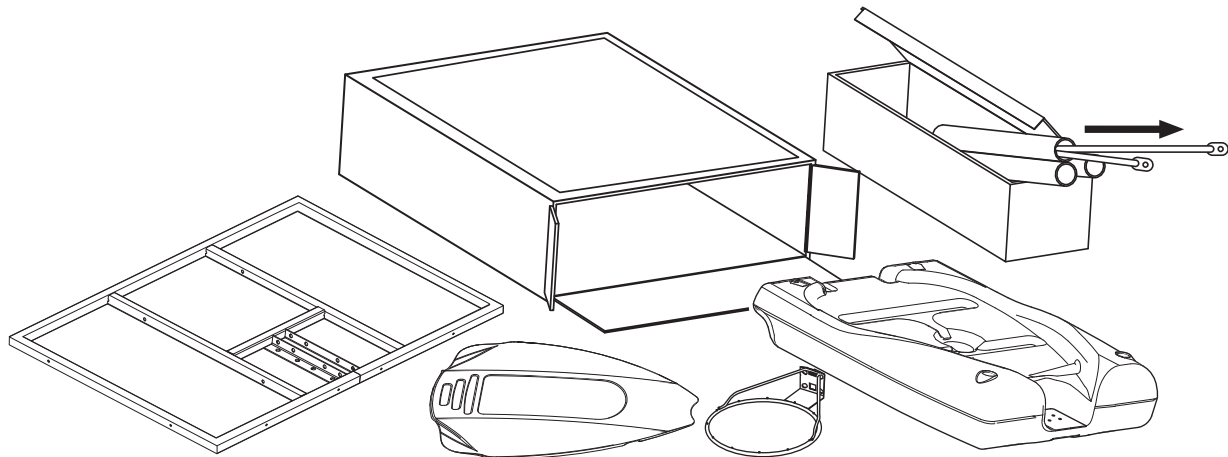
Call TOLL-FREE Customer Service  
Number listed on the front page!

### **NOTICE TO ASSEMBLERS**

**ALL Huffy Sports Basketball Systems, including those used for DISPLAYS, MUST be assembled and ballasted with sand or water according to the instructions. Failure to follow instructions could result in SERIOUS INJURY. It is NOT acceptable to devise a makeshift weight system.**

### **IMPORTANT!**

**Remove all contents from boxes.  
Be sure to check inside pole sections;  
hardware and additional parts are packed inside.**



#### **WARRANTY CARD:**

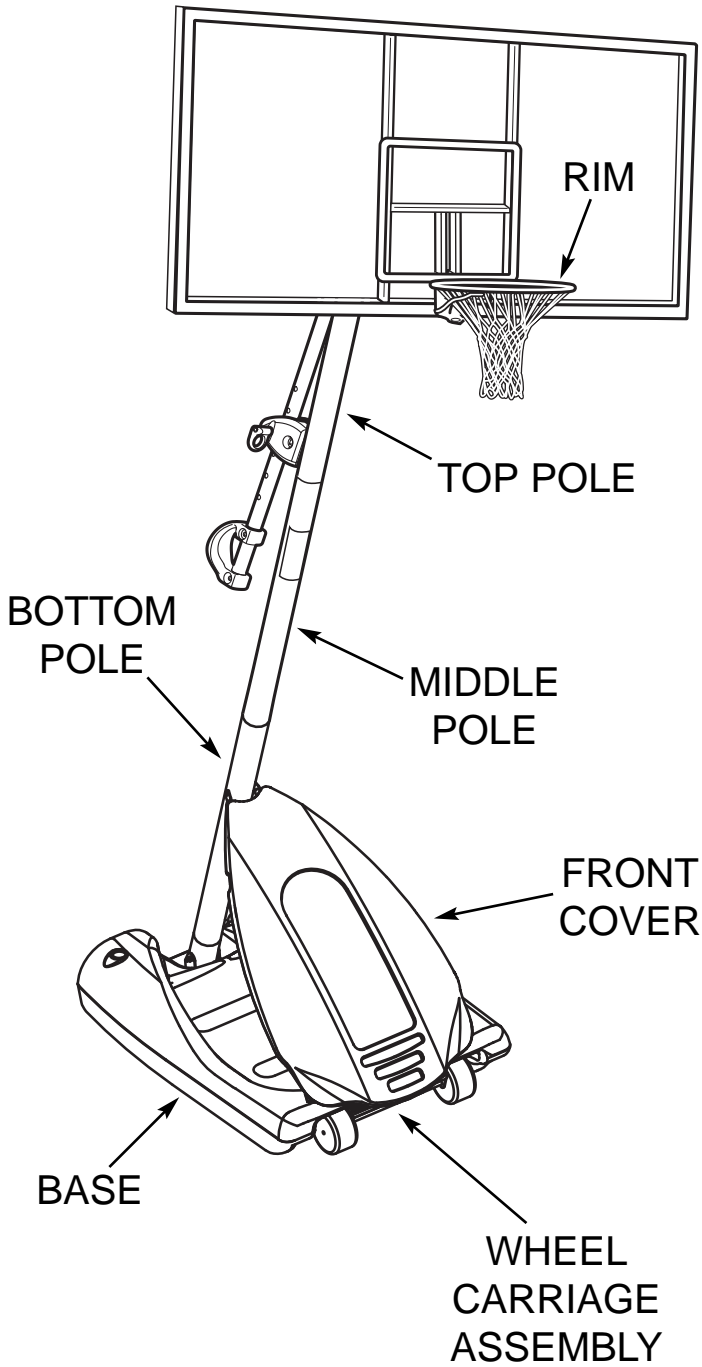
Please remember to complete your product registration form either on-line at:  
**[www.huffysports.com](http://www.huffysports.com)** or mail-in the enclosed postcard.

**WARNING:** IF YOUR SYSTEM IS EQUIPPED WITH AN ACRYLIC BACKBOARD, EXAMINE BACKBOARD FOR ANY DAMAGE THAT MAY HAVE OCCURRED DURING SHIPMENT. CRACKS IN THE BACKBOARD COULD RESULT IN SUDDEN BREAKAGE. IF BACKBOARD IS DAMAGED IN ANY WAY PRIOR TO OR AFTER ASSEMBLY, CALL TOLL-FREE NUMBER:  
U.S. 1-800-558-5234; CANADA: 1-800-284-8339; <http://www.huffysports.com>

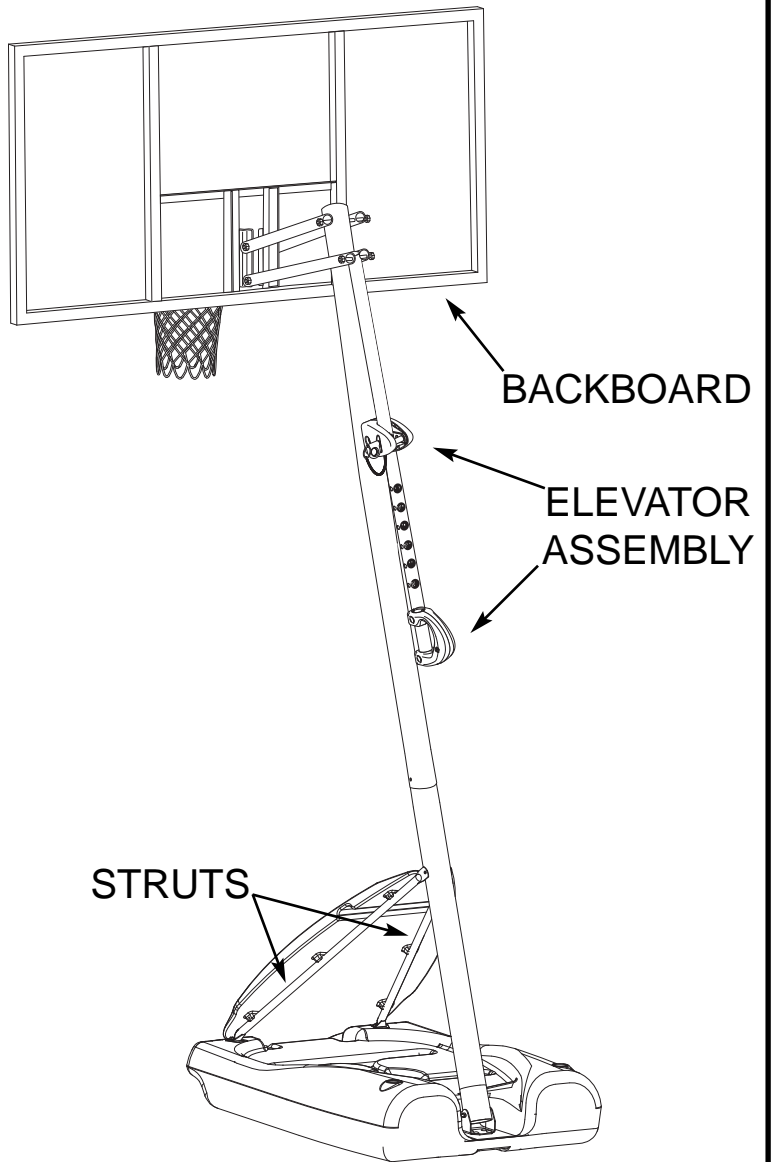
For more information on assembly, placement, proper use, and maintenance, visit The American Basketball Council website at <http://www.smarthoops.com>.

*Get to know the basic parts of your basketball system...*

FRONT



BACK

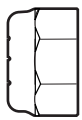


**PARTS LIST - See Hardware Identifier**

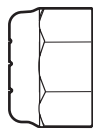
<input checked="" type="checkbox"/> <u>Item</u>	<u>Qty.</u>	<u>Part No.</u>	<u>Description</u>	<input checked="" type="checkbox"/> <u>Item</u>	<u>Qty.</u>	<u>Part No.</u>	<u>Description</u>
<input type="checkbox"/>	1	908026	Top Pole Section	<input type="checkbox"/>	36	2	204838 Spring, Counter Balance
<input type="checkbox"/>	2	90810701	Middle Pole Section (with Label	<input type="checkbox"/>	37	2	203617 Base Plug
<input type="checkbox"/>	3	908015	Bottom Pole Section	<input type="checkbox"/>	38	1	201965 Front Cover
<input type="checkbox"/>	4	900223	Wheel Bracket	<input type="checkbox"/>	39	4*	203257 Tie Straps
<input type="checkbox"/>	5	206940	Axle	<input type="checkbox"/>	40	1	200504 Rim Cover
<input type="checkbox"/>	6	226403	Wheel	<input type="checkbox"/>	41	2	200520 Screw, #8 x .75
<input type="checkbox"/>	7	206938	Pushnut	<input type="checkbox"/>	42	1	511679 Label, Height Adj and Moving
<input type="checkbox"/>	8	206660	Base	<input type="checkbox"/>	43	2	204857 Spacer, Metal 1/2" O.D. x 1.44 Long
<input type="checkbox"/>	9	203156	Hex Bolt, 5/16-18 x 1	<input type="checkbox"/>	44	1	205226 Left Board Pad
<input type="checkbox"/>	10	18*	203218 Flat Washer, 5/16	<input type="checkbox"/>	45	1	205225 Right Board Pad
<input type="checkbox"/>	11	15*	203100 Hex-Flange Nut, 5/16-18	<input type="checkbox"/>	46	6*	201596 Sheet Metal Screw, #14 x 1.25
<input type="checkbox"/>	12	1	201581 Pole Bracket	<input type="checkbox"/>	47	6*	206303 Flat Washer, 1/4
<input type="checkbox"/>	13	2	202662 Hex Bolt, 5/16-18 x 4.5	<input type="checkbox"/>	48	1	205241 Center Board Pad
<input type="checkbox"/>	14	2	203099 Lock Nut, 5/16-18	<input type="checkbox"/>	49	1	202856 Bolt, Hex, 1/2-13 x 4" Long
<input type="checkbox"/>	15	4	203223 Carriage Bolt, 5/16-18 x 1	<input type="checkbox"/>	50	4	203232 Flat Washer, 3/8
<input type="checkbox"/>	16	2	906410 Tank Strut	<input type="checkbox"/>	51	1	202795 Label, NBA
<input type="checkbox"/>	17	1	200516 Bolt Cover	<input type="checkbox"/>	52	2	90096401 Bracket, Backboard Support
<input type="checkbox"/>	18	1	206990 Reinforcement Bracket	<input type="checkbox"/>	53	4	201681 Spacer, Plastic, .530 I.D. x .88 Long
<input type="checkbox"/>	19	3	203038 Carriage Bolt, 5/16-18 x 2-3/4 Long	<input type="checkbox"/>	54	2	203103 Carriage Bolt, 5/16-18 x 2 Long
<input type="checkbox"/>	20	8	202862 Spacer, Plastic, 1.19" Long	<input type="checkbox"/>	55	1	204803 Screw, Phillips Head
<input type="checkbox"/>	21	7	206340 Lock Nut, 1/2-13	<input type="checkbox"/>	56	4	201682 Spacer, .530 I.D. x 1.875
<input type="checkbox"/>	22	2	203053 Carriage Bolt, 5/16-18 x 4 Long	<input type="checkbox"/>	57	6	202532 Bolt, Hex, 1/2-13 x 9.5"
<input type="checkbox"/>	23	1	204872 Label, Height Indicator	<input type="checkbox"/>	58	1	904866 Height Adjustment Rod
<input type="checkbox"/>	24	2	204858 Spacer, Plastic, Biscuit	<input type="checkbox"/>	59	1	204855 Handle, Left
<input type="checkbox"/>	25	1	207103 Pole Cap	<input type="checkbox"/>	60	1	204856 Handle, Right
<input type="checkbox"/>	26	1	204853 Lanyard, Black Coil	<input type="checkbox"/>	61	1	900033 Bracket, Slam Jam
<input type="checkbox"/>	27	1	204850 Pin, Locking	<input type="checkbox"/>	62	1	200318 Bracket, Reinforcement, Slam Jam
<input type="checkbox"/>	28	1	204832 Bracket, Pole Mount	<input type="checkbox"/>	63	1	203470 Washer Flat, Slam Jam
<input type="checkbox"/>	29	4	206360 Hex Bolt, 3/8-16 x 2.625	<input type="checkbox"/>	64	1	203472 Spring, Black, Slam Jam
<input type="checkbox"/>	30	6	203063 Nylon Insert Lock Nut, 3/8-16	<input type="checkbox"/>	65	1	203795 Nut, Special, Slam Jam
<input type="checkbox"/>	31	4	201124 Lock Nut, 3/8-16	<input type="checkbox"/>	66	1	203796 T-Bolt, 3/8-16 x 5 Long
<input type="checkbox"/>	32	2	900867 Plate, Triangle	<input type="checkbox"/>	67		Rim
<input type="checkbox"/>	33	2	904807 Elevator Tube, Upper - Short	<input type="checkbox"/>	68	4	205528 Bolt, Hex Flange, 5/16-18 x 1 Long
<input type="checkbox"/>	34	2	900183 Elevator Tube, Lower - Long	<input type="checkbox"/>	68	1	Net
<input type="checkbox"/>	35	2	204859 Cover, Pin Slide				

\*You may have extra parts with this model.

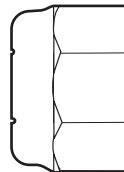
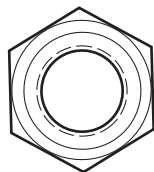
**HARDWARE IDENTIFIER (NUTS, WASHERS & METAL SPACERS)**



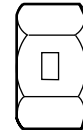
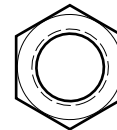
**Item #14 (2)**



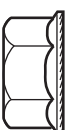
**Item #30 (4)**



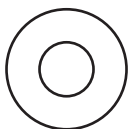
**Item #21 (7)**



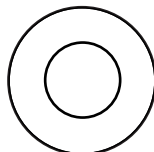
**Item #31 (4)**



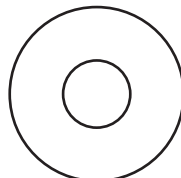
**Item #11 (15)\***



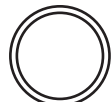
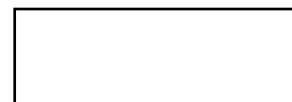
**Item #47 (6)\***



**Item #50 (4)**

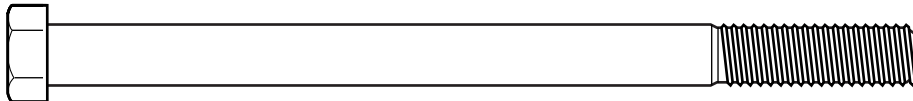


**Item #10 (18)\***

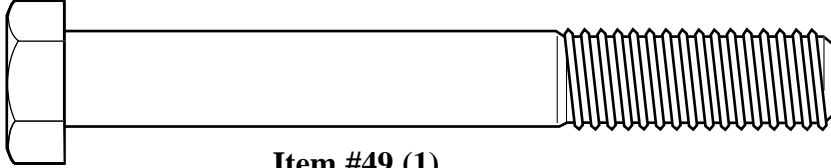


**Item #43 (2)**

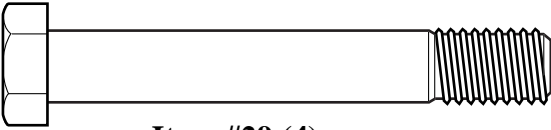
**HARDWARE IDENTIFIER (BOLTS & SCREWS)**



**Item #13 (2)**



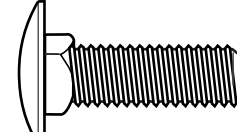
**Item #49 (1)**



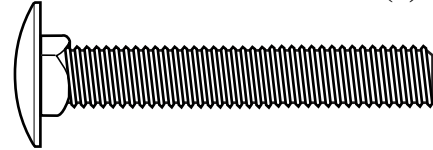
**Item #29 (4)**



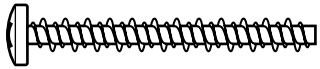
**Item #9 (6)**



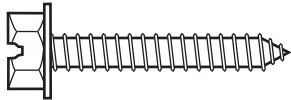
**Item #15 (4)**



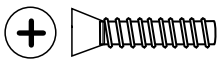
**Item #54 (2)**



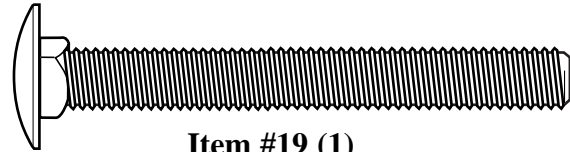
**Item #55 (1)**



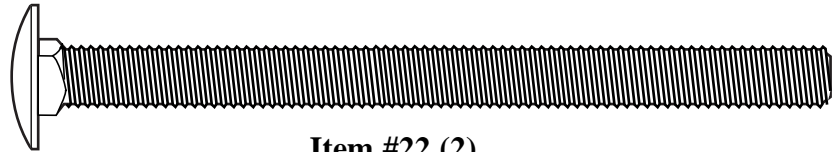
**Item #46 (6)**



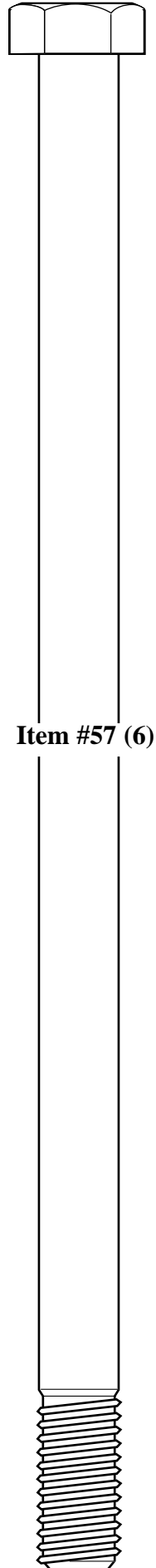
**Item #41 (2)**



**Item #19 (1)**



**Item #22 (2)**

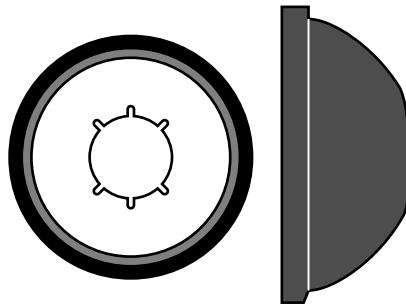


**Item #57 (6)**

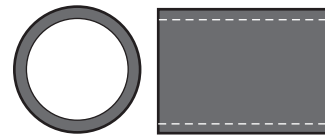
**HARDWARE IDENTIFIER (PLASTIC SPACERS & CAPS)**



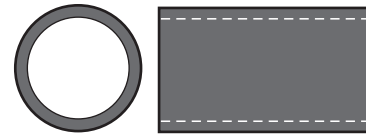
**Item #17 (1)**



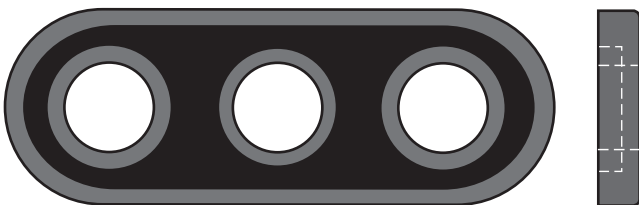
**Item #7 (2)**



**Item #53 (4)**



**Item #20 (8)**

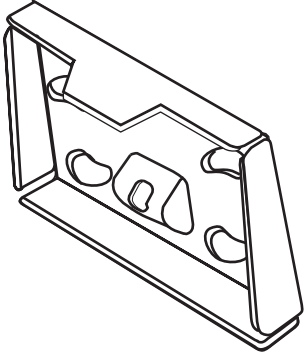


**Item #24 (2)**

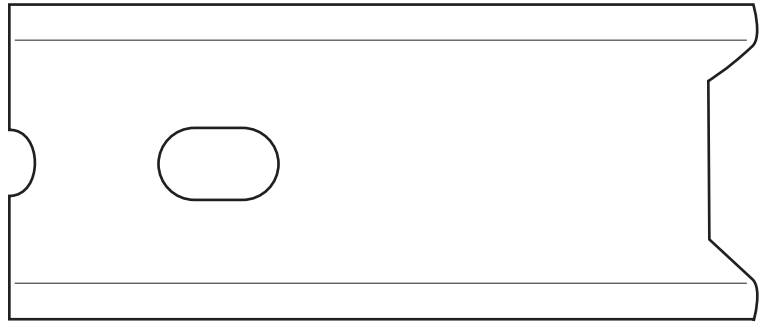


**Item #56 (4)**

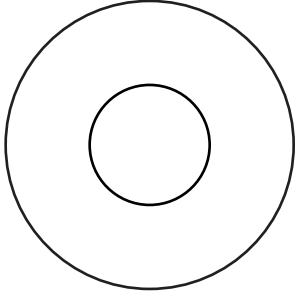
**HARDWARE IDENTIFIER (RIM)**



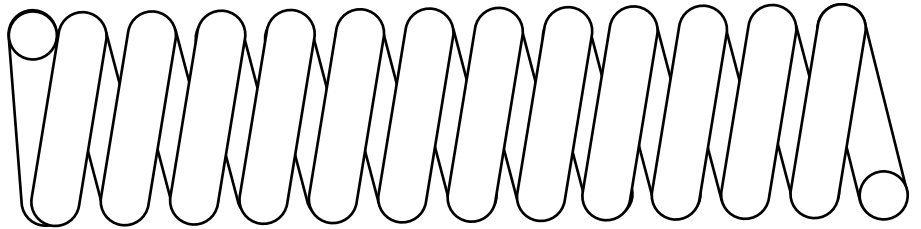
**Item #61 (1)**



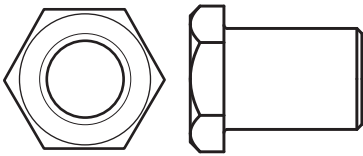
**Item #62 (1)**



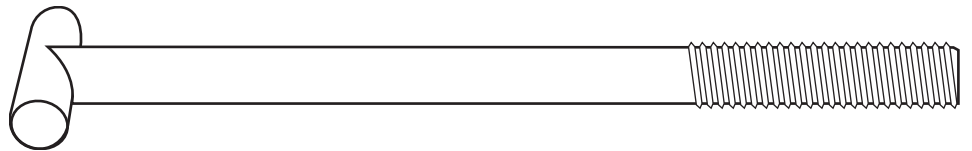
**Item #63 (1)**



**Item #64 (1)**



**Item #65 (1)**

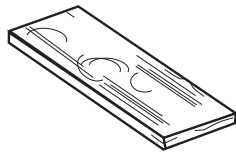


**Item #66 (1)**

**SECTION A: ASSEMBLE THE POLES**

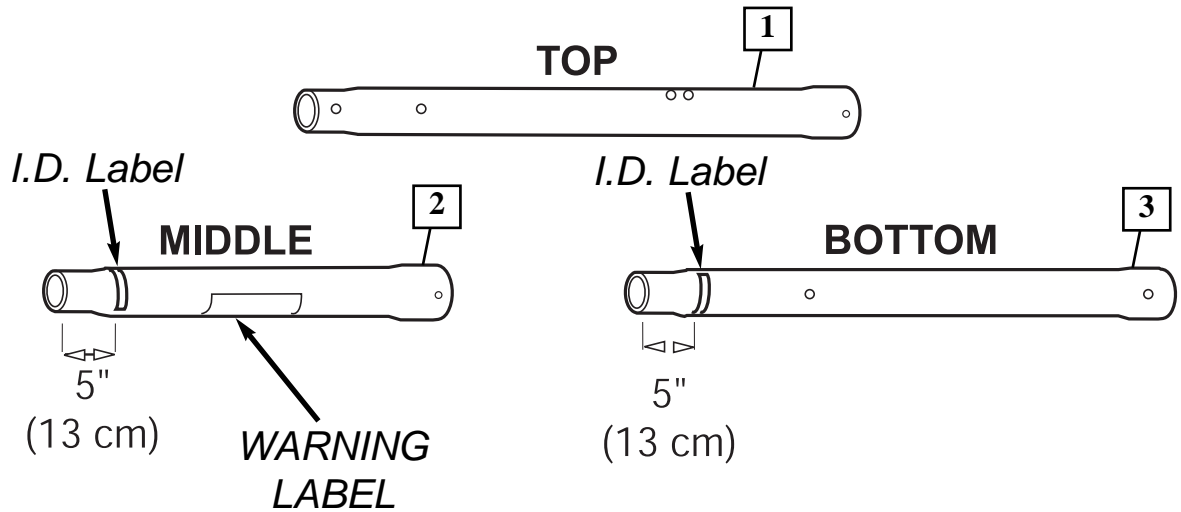
**TOOLS REQUIRED FOR THIS SECTION**

***Wood Board (scrap)***





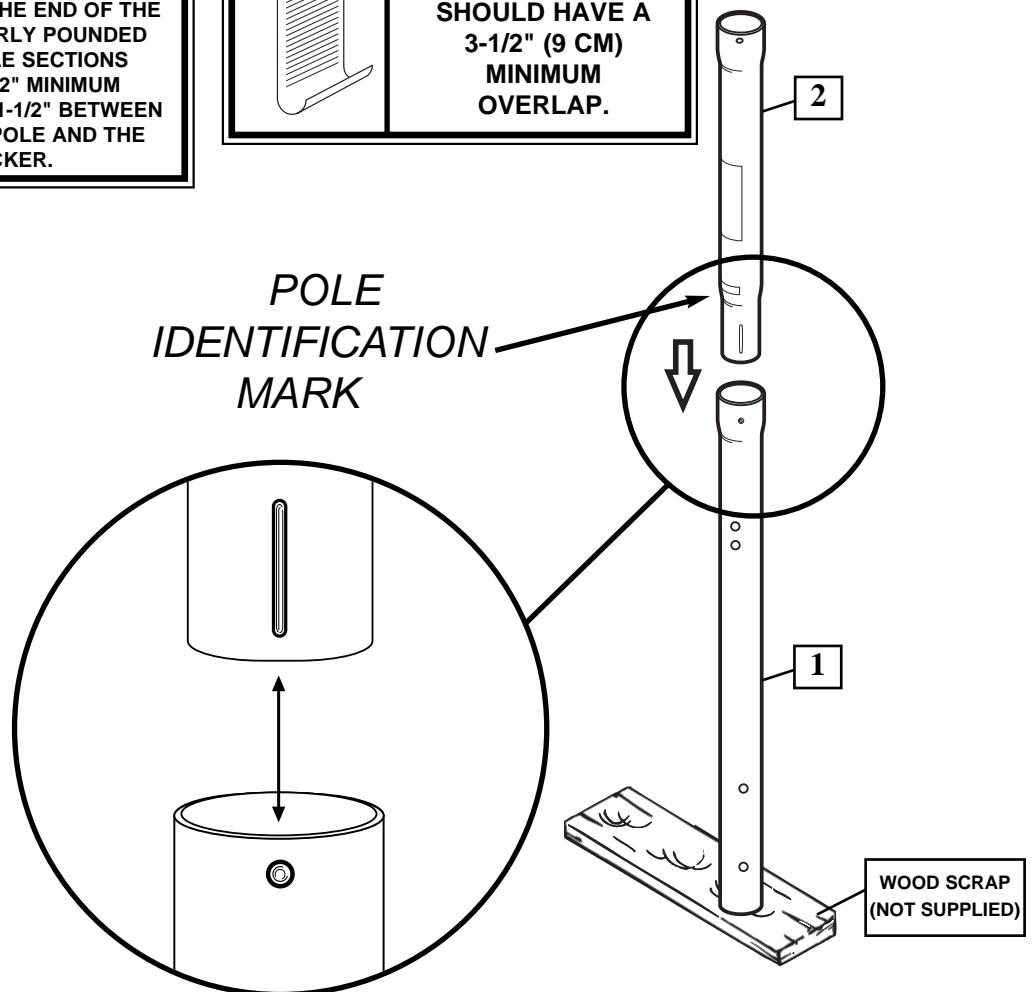
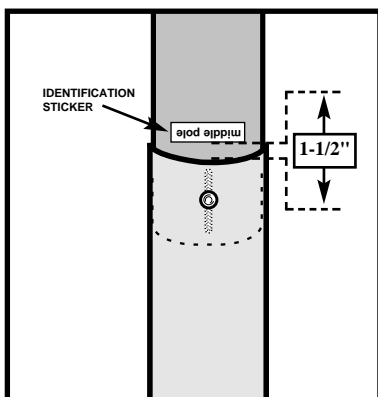
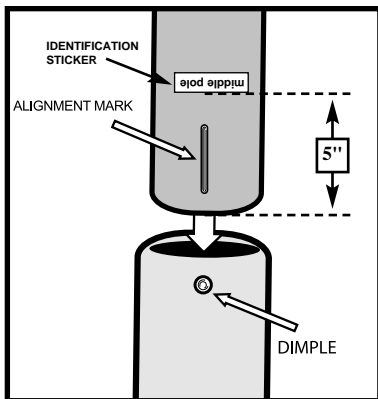
**1.** Correctly identify each pole section.




**2.** Bounce middle pole (2) into top pole section (1) using a wood scrap as shown until top pole no longer moves toward pole identification mark on middle pole.

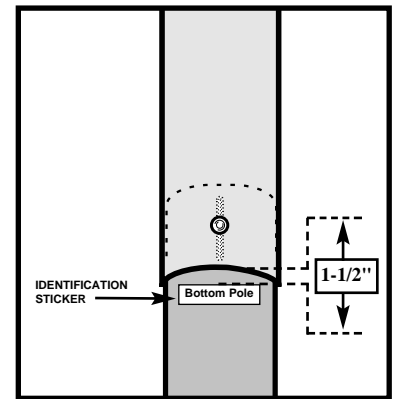
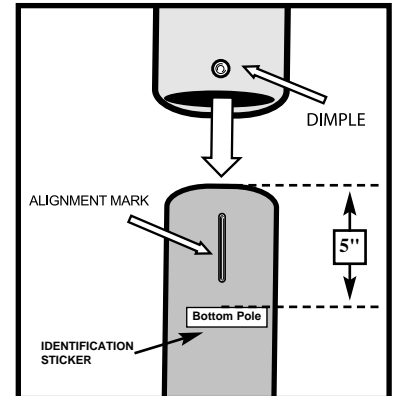
	<b>CAUTION!</b>
	THE IDENTIFICATION STICKER IS LOCATED 5" FROM THE END OF THE POLE. WHEN PROPERLY POUNDED TOGETHER, THE POLE SECTIONS SHOULD HAVE A 3-1/2" MINIMUM OVERLAP, LEAVING 1-1/2" BETWEEN THE OVERLAPPING POLE AND THE IDENTIFICATION STICKER.

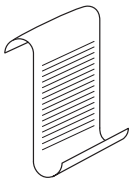
	<b>NOTE:</b>
	POLE SECTIONS SHOULD HAVE A 3-1/2" (9 CM) MINIMUM OVERLAP.



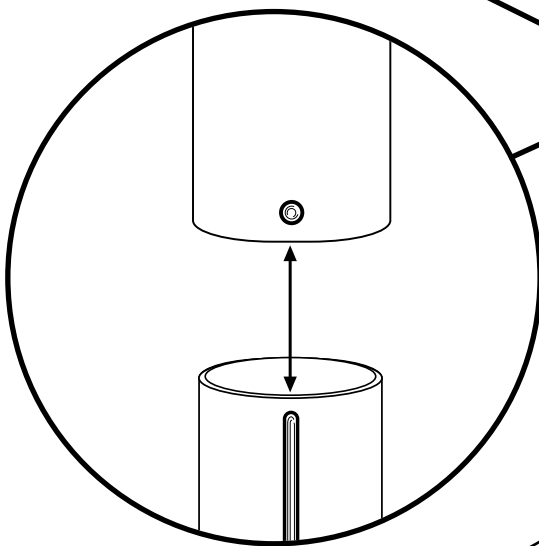
- 3.** Align dimple of middle pole with slot of bottom pole. While maintaining alignment, bounce top and middle pole assembly (1 & 2) onto lower pole section (3) as shown until they no longer move toward pole identification mark.

	<b>⚠ CAUTION!</b>
	<p>THE IDENTIFICATION STICKER IS LOCATED 5" FROM THE END OF THE POLE. WHEN PROPERLY POUNDED TOGETHER, THE POLE SECTIONS SHOULD HAVE A 3-1/2" MINIMUM OVERLAP, LEAVING 1-1/2" BETWEEN THE OVERLAPPING POLE AND THE IDENTIFICATION STICKER.</p>

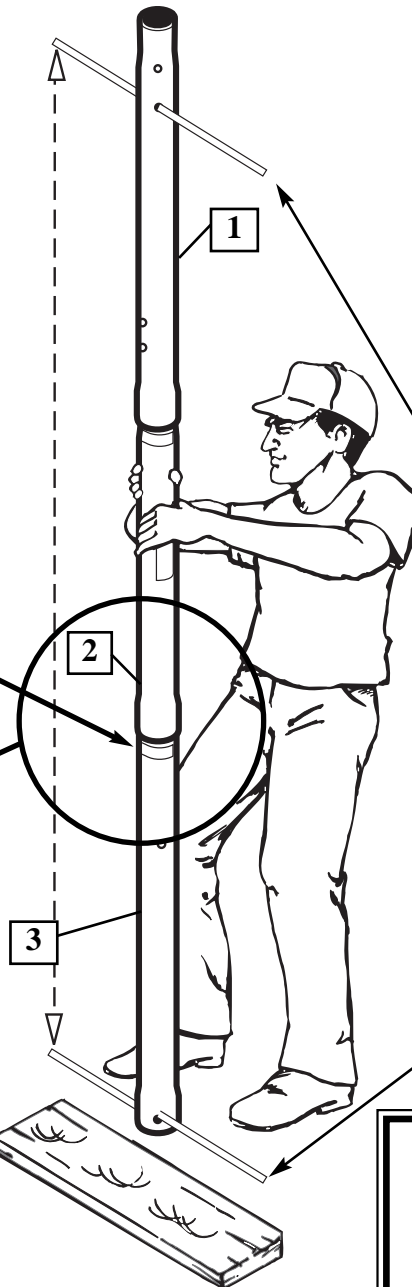


	<b>NOTE:</b>
	<p>POLE SECTIONS SHOULD HAVE A 3-1/2" (9 CM) MINIMUM OVERLAP.</p>

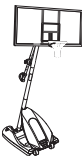
*POLE IDENTIFICATION MARK*



WOOD SCRAP  
(NOT SUPPLIED)

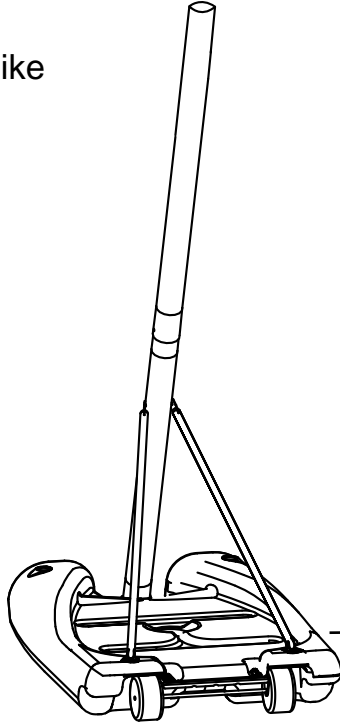


RODS SHOWN ARE FOR VISUAL REPRESENTATION OF ALIGNMENT AND ARE NOT SUPPLIED WITH THE HARDWARE

	<b>IMPORTANT!</b>
	<p>Holes in top (1) and bottom (3) pole sections <b>MUST</b> align to correctly position elevator system toward playing surface.</p>

## SECTION B: ASSEMBLE THE BASE

This is what your system will look like when you've finished this section:

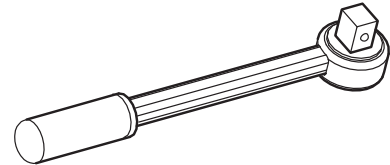


### TOOLS REQUIRED FOR THIS SECTION

**(2) 1/2" Wrenches**



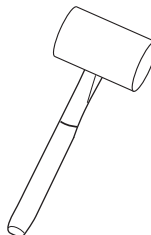
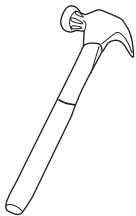
**(2) Socket Wrenches and Sockets**



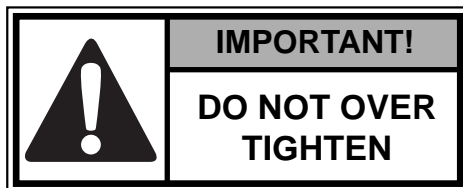
**1/2"**

**AND/OR**

**AND  
Hammer or  
Mallet**

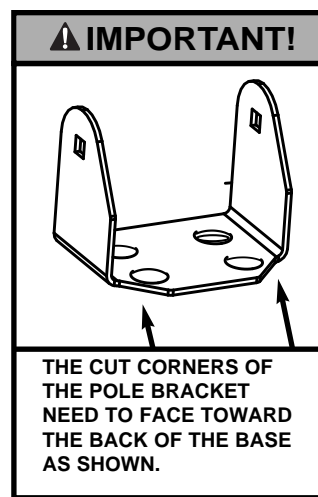
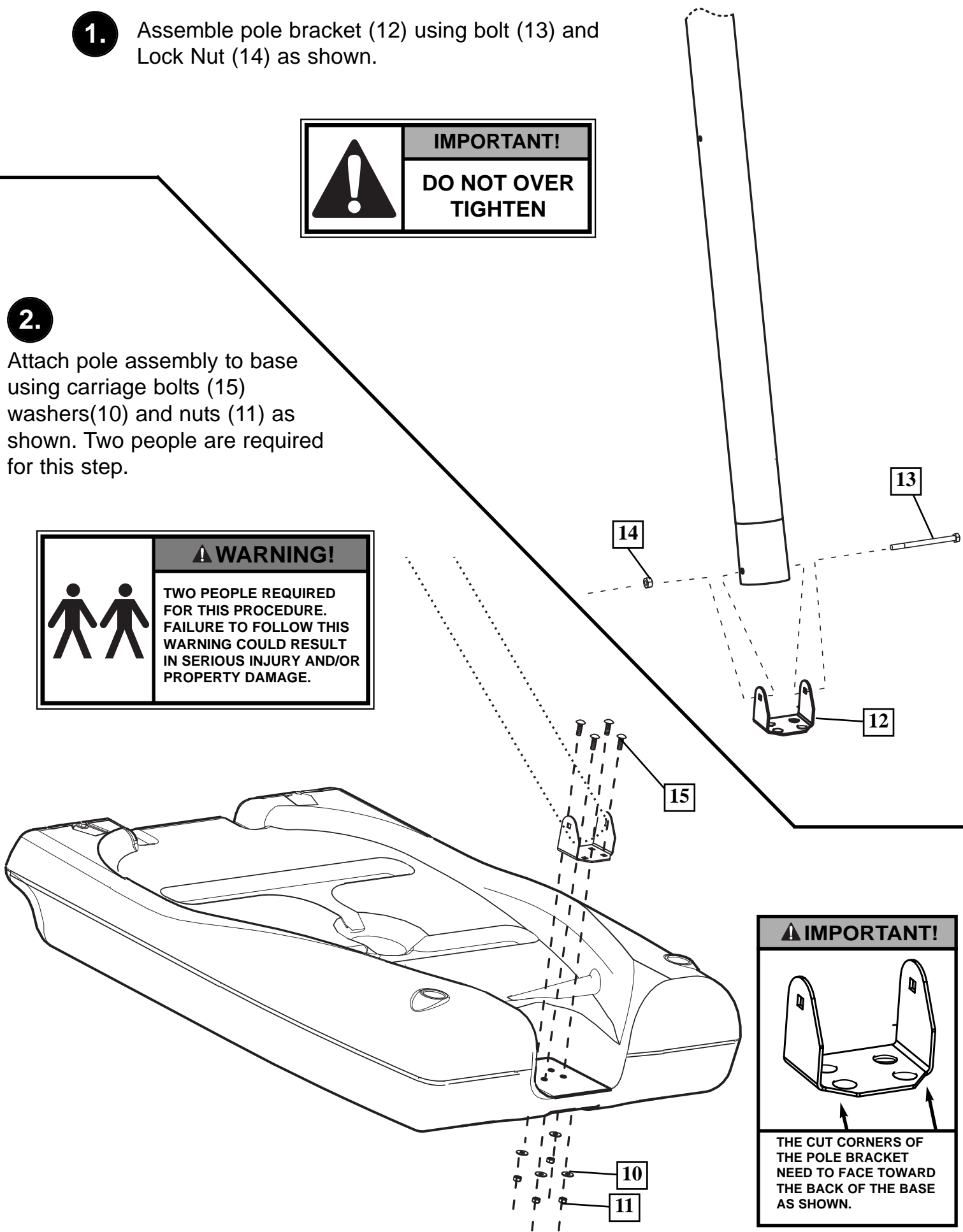
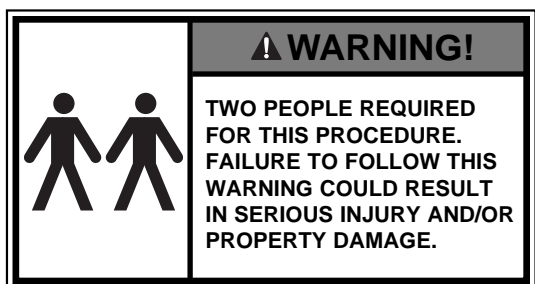


- 1.** Assemble pole bracket (12) using bolt (13) and Lock Nut (14) as shown.

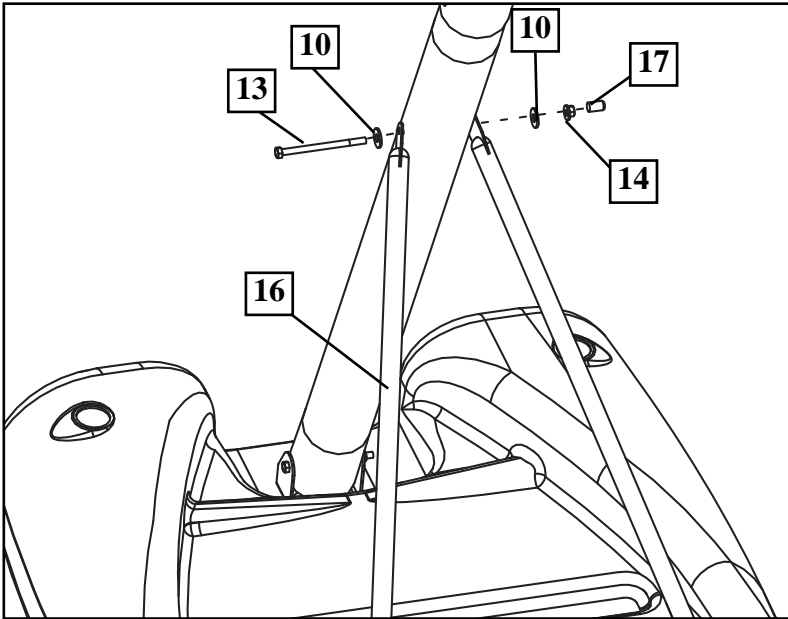


**2.**

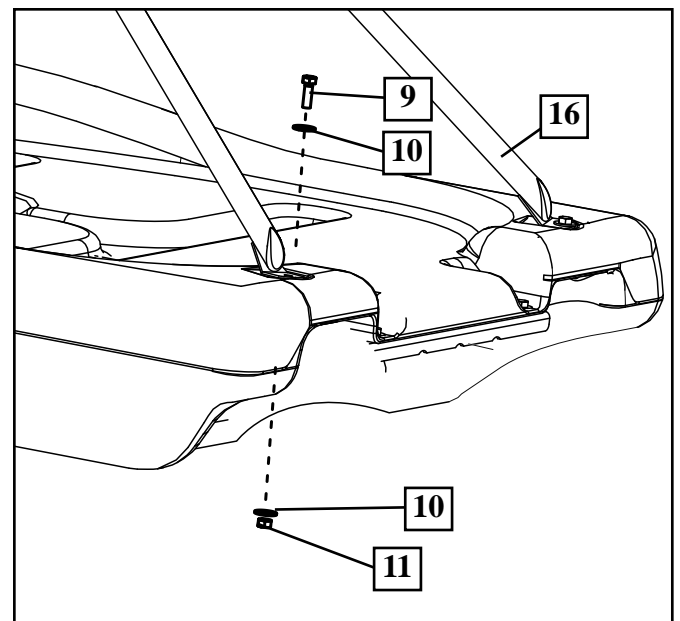
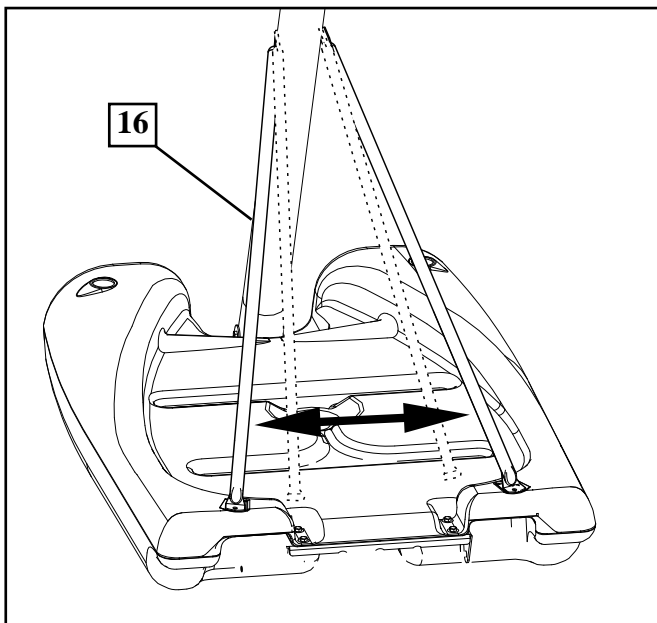
Attach pole assembly to base using carriage bolts (15) washers(10) and nuts (11) as shown. Two people are required for this step.



- 3.** Secure tank struts (16) to pole as shown. Nut should be tightened until flush (even) with lock nuts outer edge. Place cap (17) over exposed end of bolt as shown.

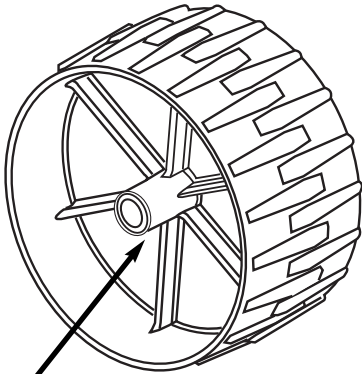


- 4.** Rotate non-secured ends of tank struts (16) outward to mounting holes in tank as shown. Secure ends of tank struts (16) to tank as shown. Repeat for opposite side.

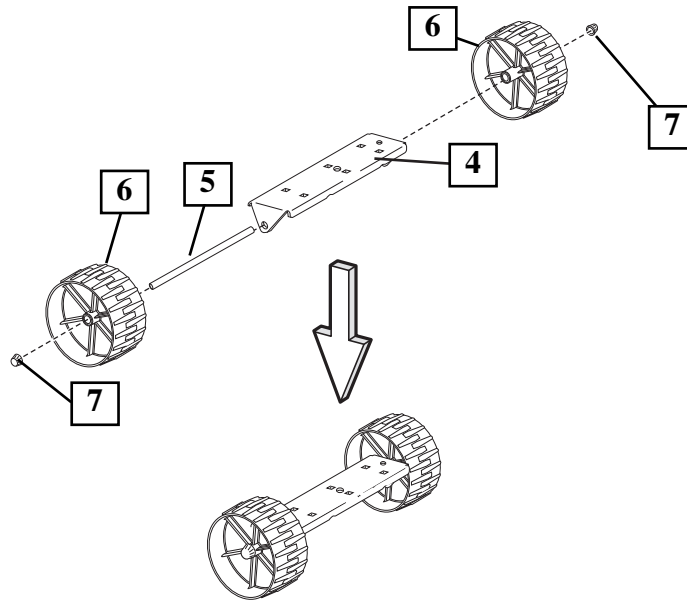


5. Insert axle (5) through wheel bracket (4). Secure wheels (6) to axle using pushnuts (7). Carefully tap pushnuts onto axle with hammer or mallet

**▲ IMPORTANT!**



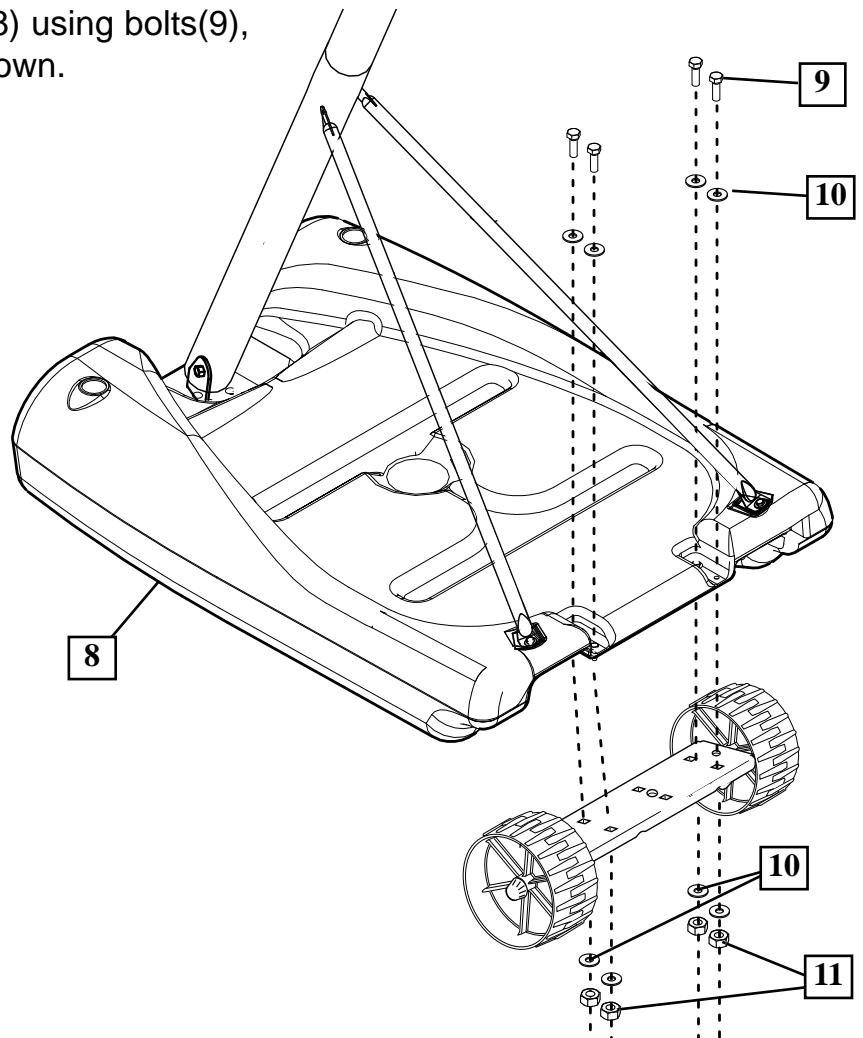
SIDE OF WHEEL WITH LONGER PLASTIC AXLE NEEDS TO FACE THE WHEEL BRACKET.



6. Install wheel assembly to base (8) using bolts(9), washers(10) and nuts (11) as shown.

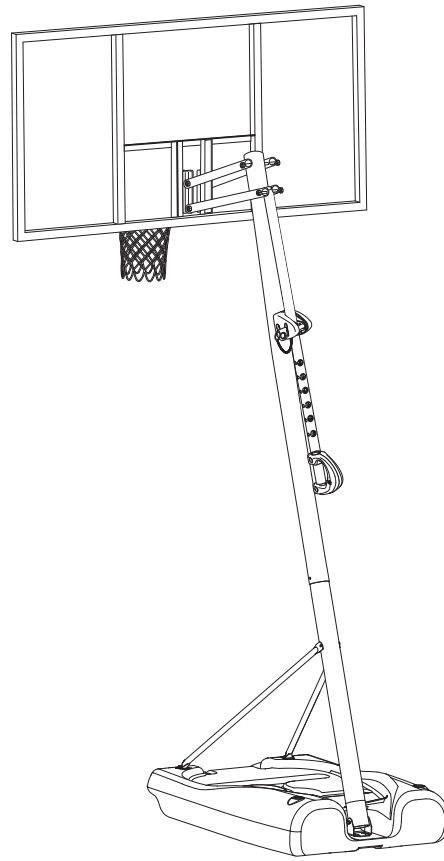
**NOTE:**

CAREFULLY TIPPING THE SYSTEM ON IT'S SIDE WILL ALLOW EASIER ACCESS TO THE UNDERSIDE OF BASE.



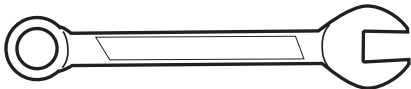
## SECTION C: ASSEMBLE THE ELEVATOR & BACKBOARD

This is what your system will look like when you've finished this section:



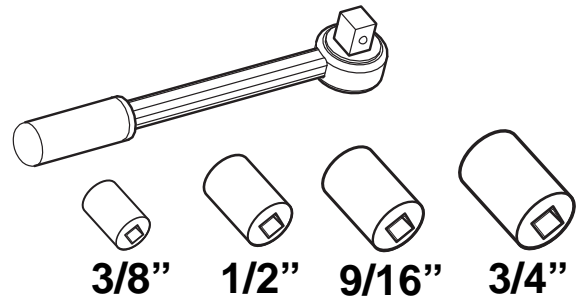
### TOOLS REQUIRED FOR THIS SECTION

(1) 3/8", (2) 1/2", (2) 9/16" and  
(2) 3/4" Wrenches



AND/OR

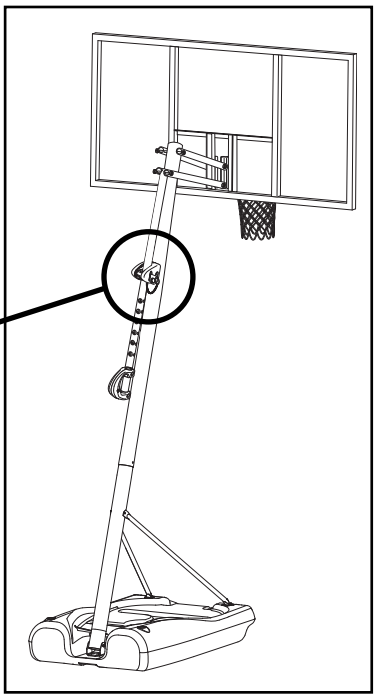
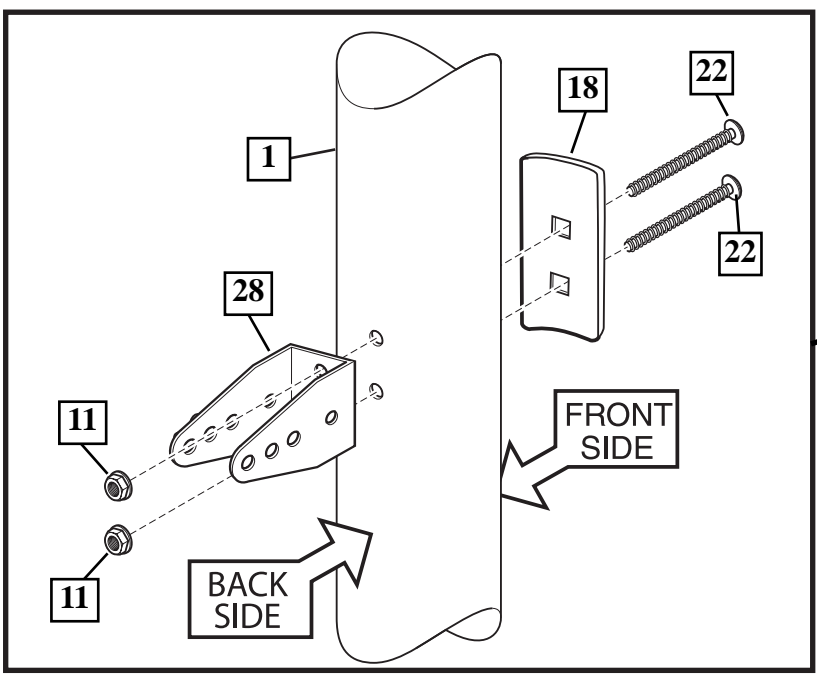
(2) Socket Wrenches and Sockets



Phillips Screwdriver

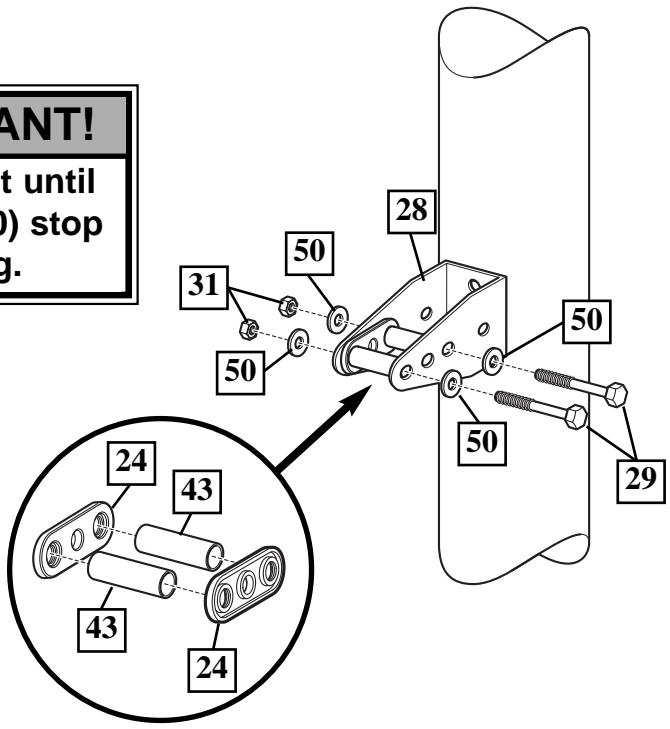


- 1.** Install pole mount bracket (28) and reinforcement bracket (18) with carriage bolts (22) as shown. Tighten flange nuts (11) completely.



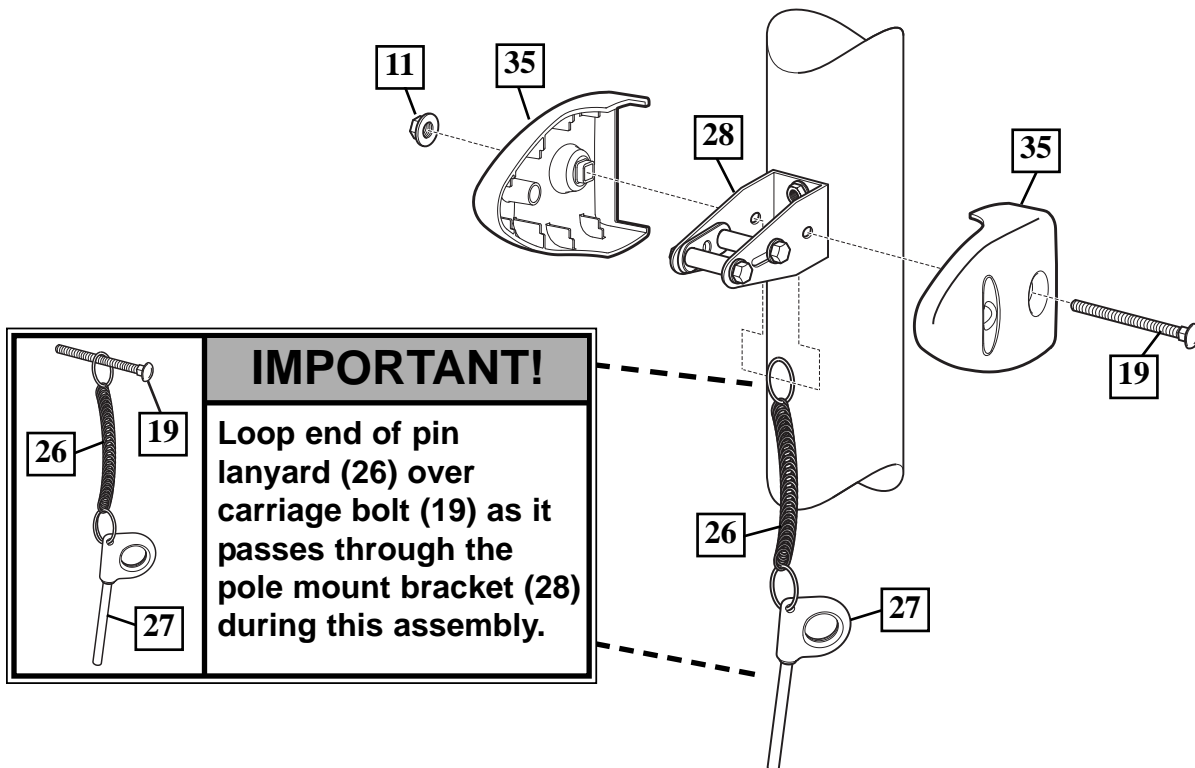
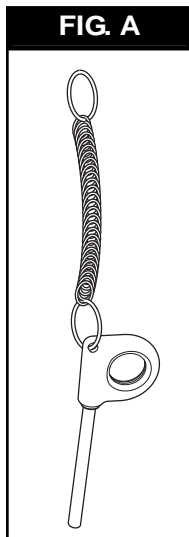
- 2.** Attach spacers (24, 43) to pole mount bracket (28) with bolts (29), washers (50), and lock nuts (31) as shown.

	<b>IMPORTANT!</b>
	Tighten just until washers (50) stop moving.





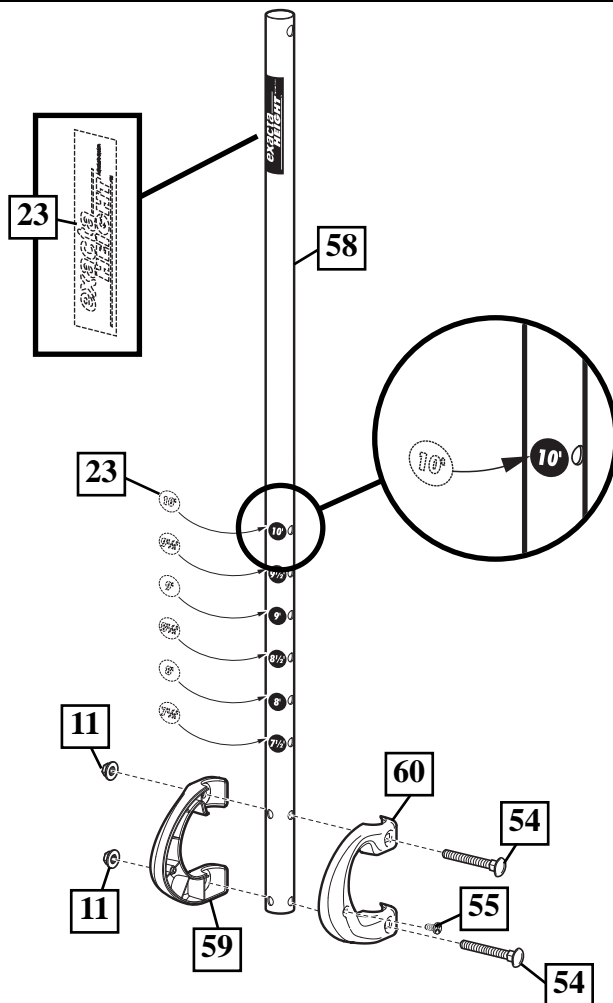
3. Assemble lanyard (26) to locking pin (27) as shown (FIG A). Attach covers (35) onto pole mount bracket (28) with carriage bolt (19) and nut (11) as shown.



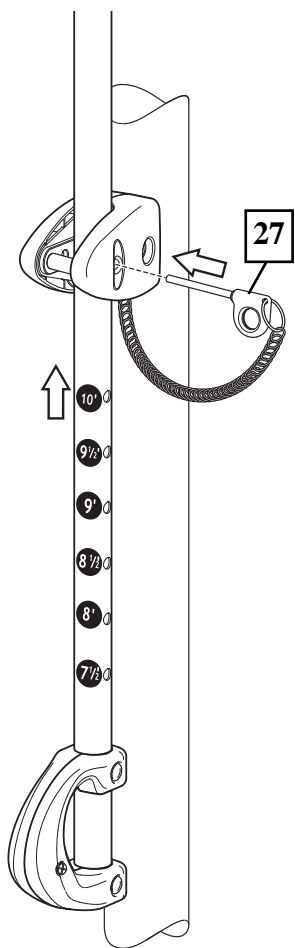
**IMPORTANT!**  
 Loop end of pin lanyard (26) over carriage bolt (19) as it passes through the pole mount bracket (28) during this assembly.

4. Apply logo and height indicator labels (23) to adjustment rod (58) as shown. Attach handle parts (59, 60) to adjustment rod with screw (55), carriage bolts (54), and flange nuts (11) as shown.

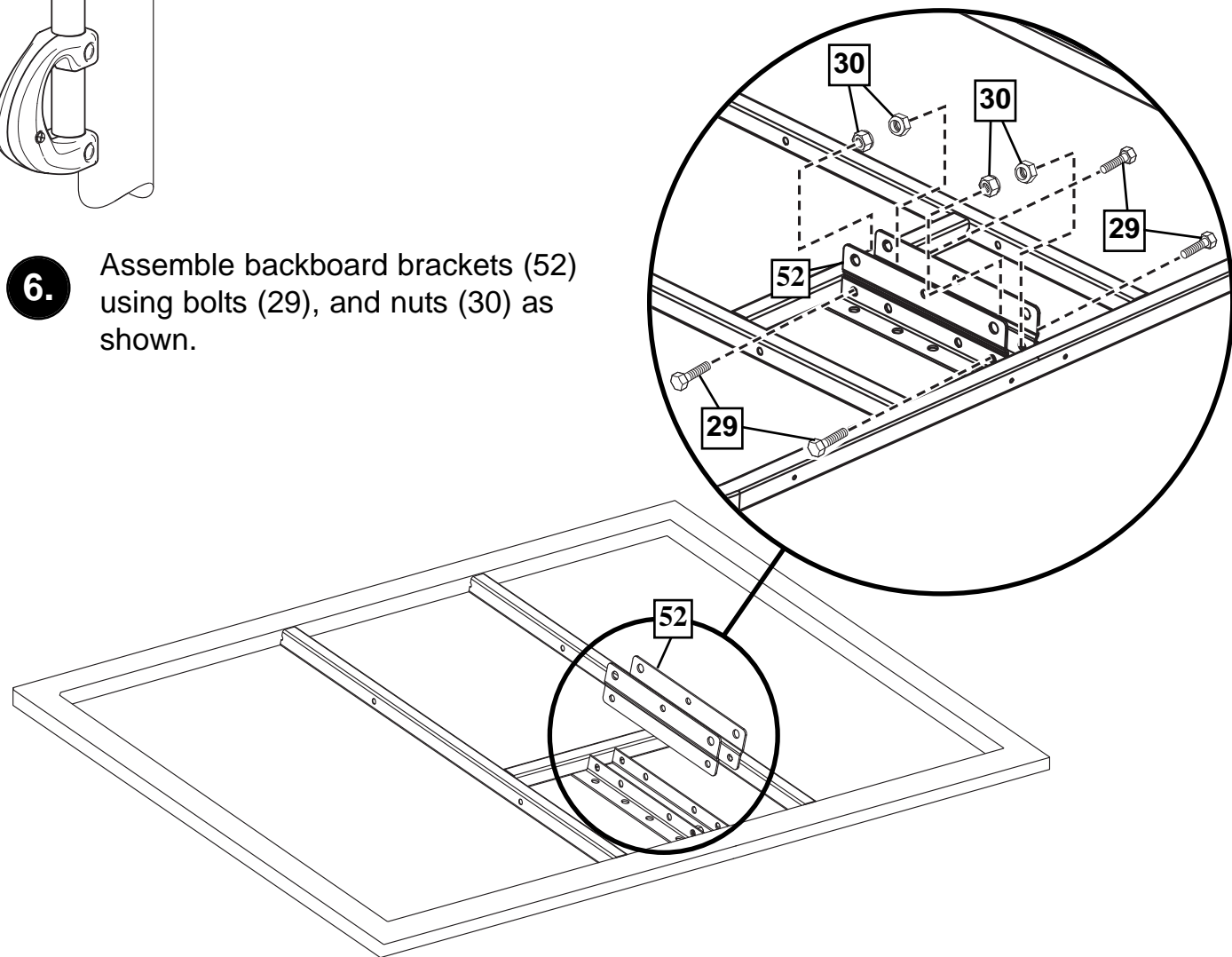
**IMPORTANT!**  
 Indicator labels should be applied as close to holes as possible to prevent labels from being damaged during height adjustment.



- 5.** Insert handle assembly through pole mount assembly as shown. Lock pole assembly in place at the 10' (3.05 m) mark with pin (27).




- 6.** Assemble backboard brackets (52) using bolts (29), and nuts (30) as shown.

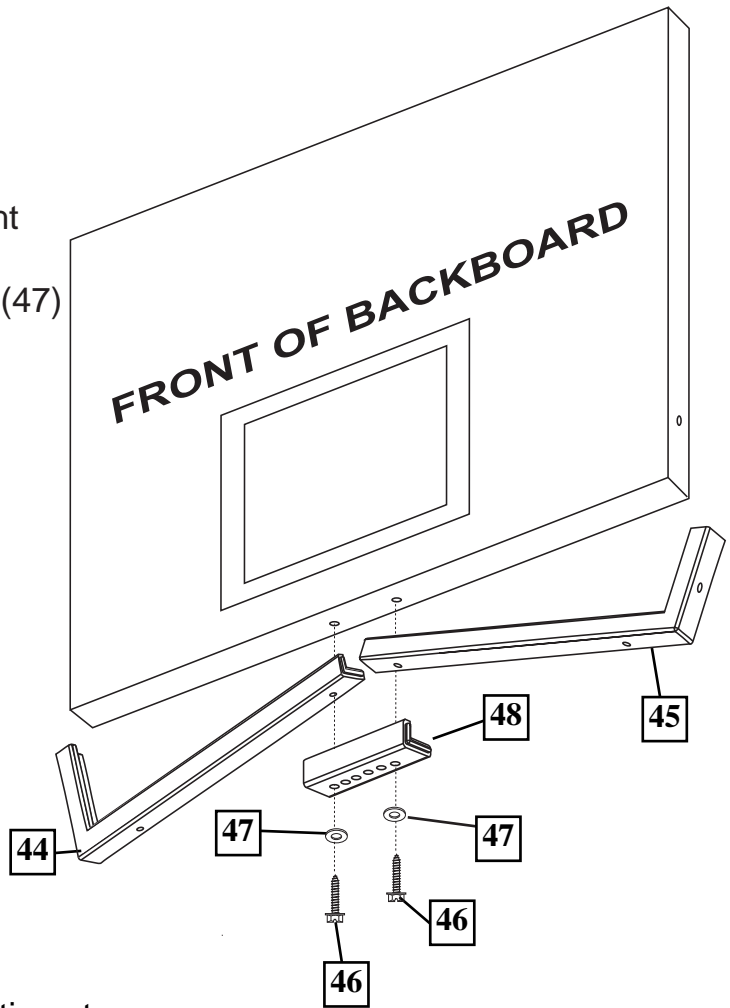


**7.** Assemble board pad to board.


- A** Work from the center - out.  
Using the holes which line up for your board size, attach center pad (48), right pad (45) and left pad (44) sections to board using screws (46) and washers (47) as shown.

	<b>IMPORTANT!</b>
	<b>DO NOT TIGHTEN HARDWARE COMPLETELY.</b>

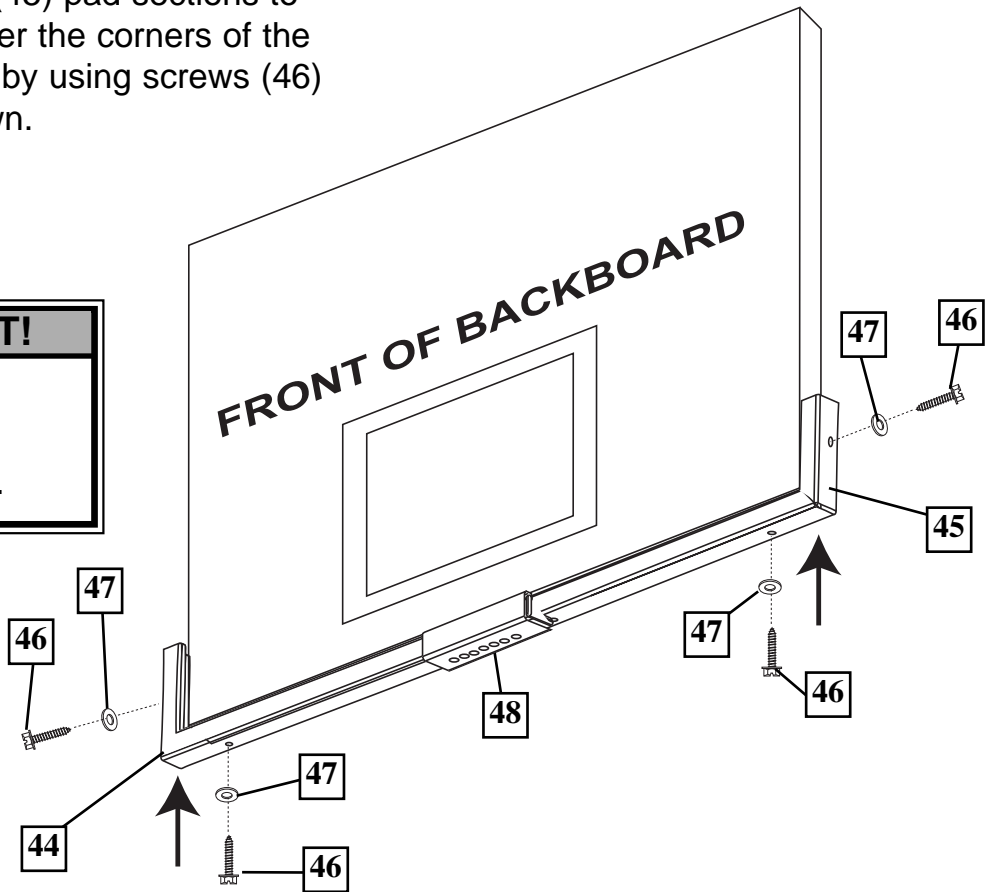
**BOARD STYLE MAY  
VARY**



- B** Secure left (44) and right (45) pad sections to board by pushing pads over the corners of the board. Secure completely by using screws (46) and washers (47) as shown.

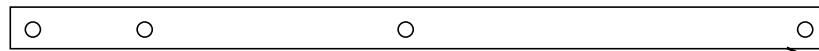
	<b>IMPORTANT!</b>
	<b>TIGHTEN ALL HARDWARE COMPLETELY.</b>

**BOARD STYLE MAY  
VARY**



**8.** Identify elevator tubes (33 & 34).

Toward Board



Upper Elevator tube

33

Toward Pole

Toward Board

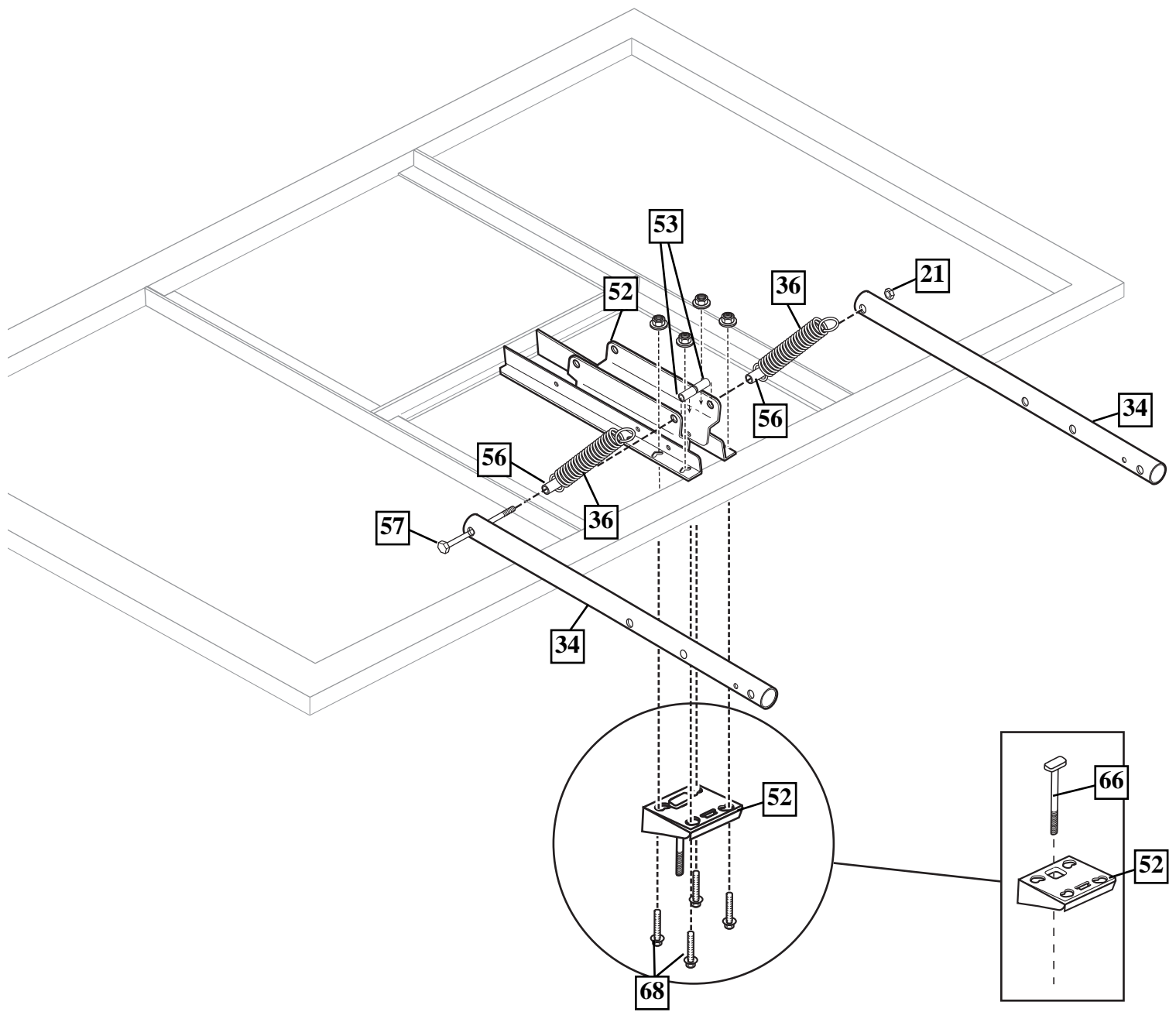


Lower Elevator tube

34

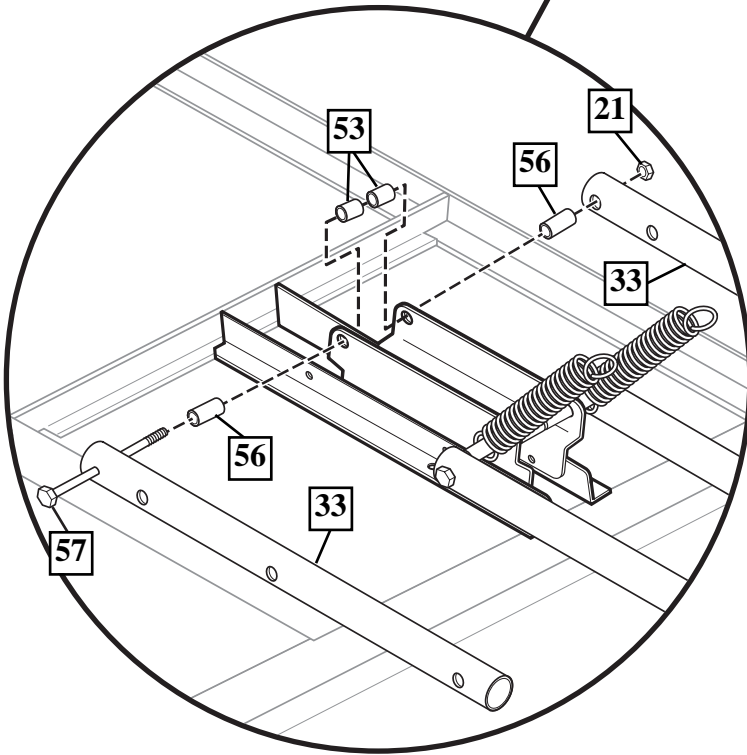
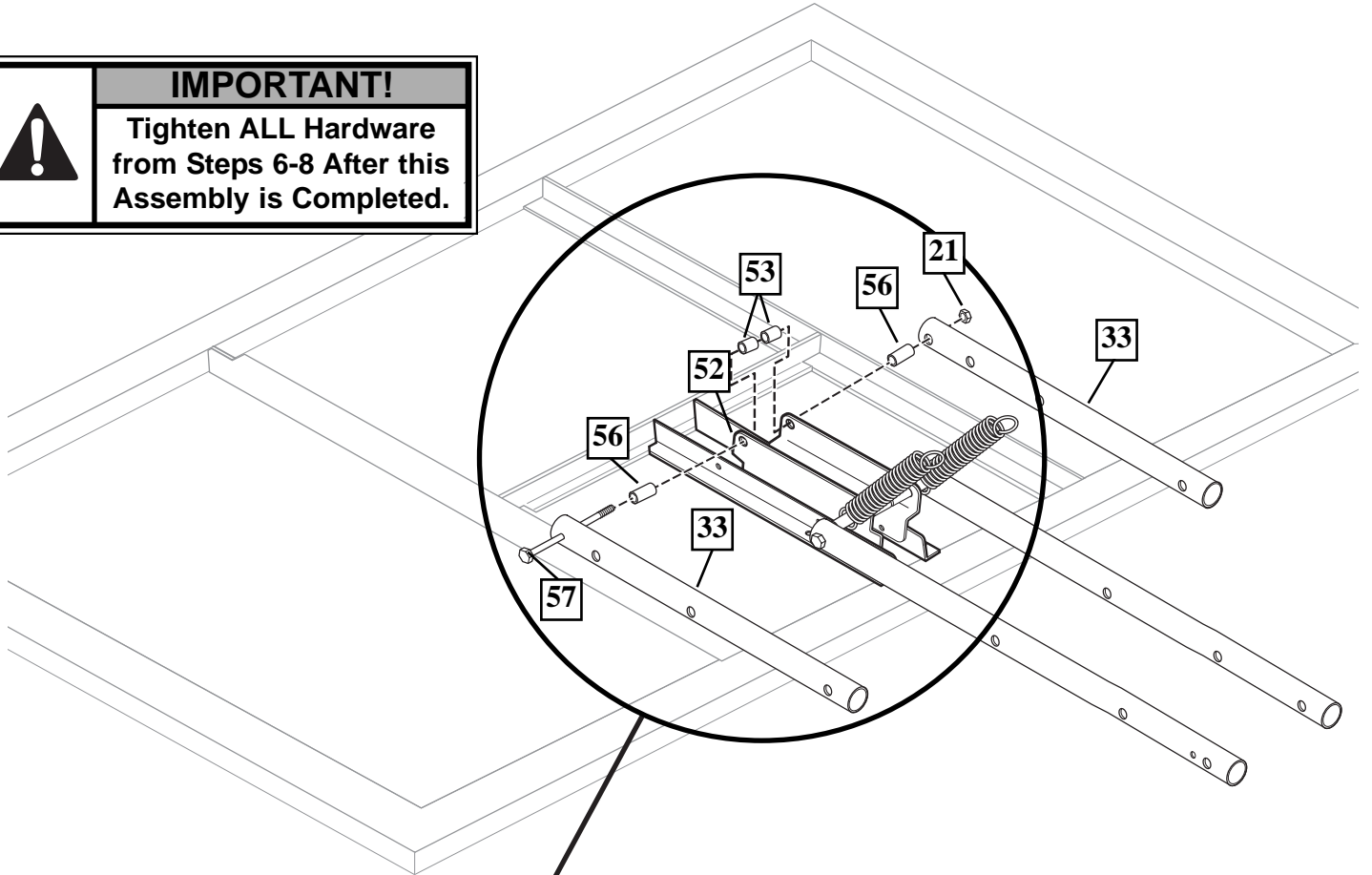
Toward Pole

Attach lower elevator tubes (34) and counter balance spring (36) to backboard support brackets (52) using spacers (53 & 56), bolt (57), and nut (21) as shown.



9. Attach upper elevator tubes (33) to backboard support brackets (52) using spacers (53), bolt (57), and nut (21) as shown.

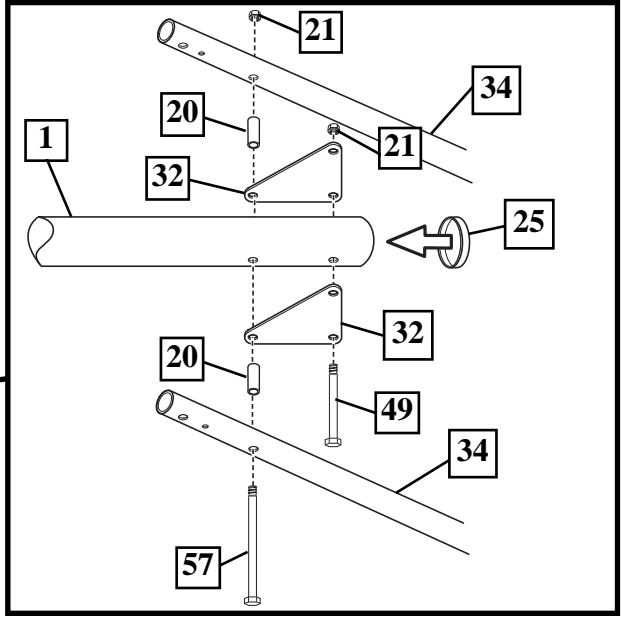
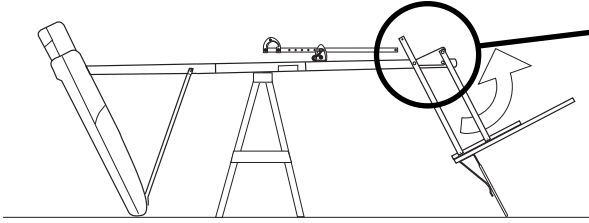
	<b>IMPORTANT!</b>
	Tighten ALL Hardware from Steps 6-8 After this Assembly is Completed.



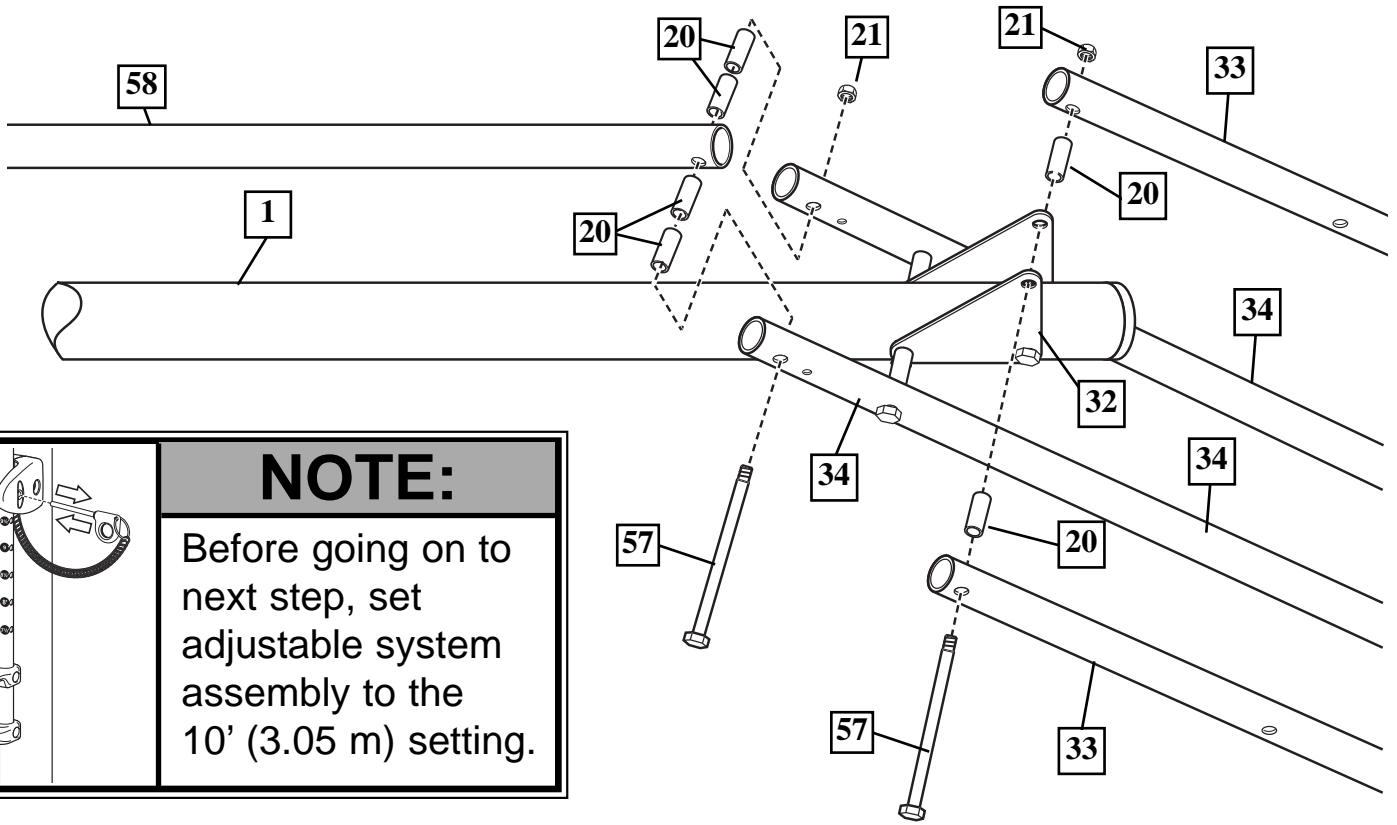
- 10.** Support pole on sawhorse. Attach backboard assembly to top pole section (4) as shown. Install pole cap (25).

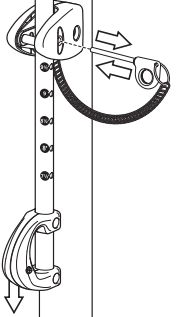


**! WARNING!**  
 USE CAUTION; ELEVATOR ASSEMBLY IS HEAVY.  
 TWO PEOPLE REQUIRED FOR THIS PROCEDURE. FAILURE TO FOLLOW THIS WARNING COULD RESULT IN SERIOUS INJURY AND/OR PROPERTY DAMAGE.



- 11.** Install upper elevator tubes (33) to triangle plates (63) as shown. Install handle assembly to lower elevator tubes (34) using bolt (57), spacers (20), and nut (21) as shown.

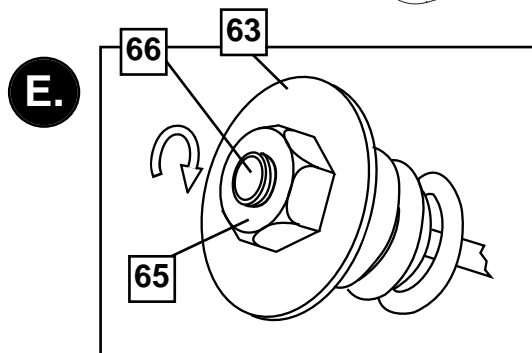
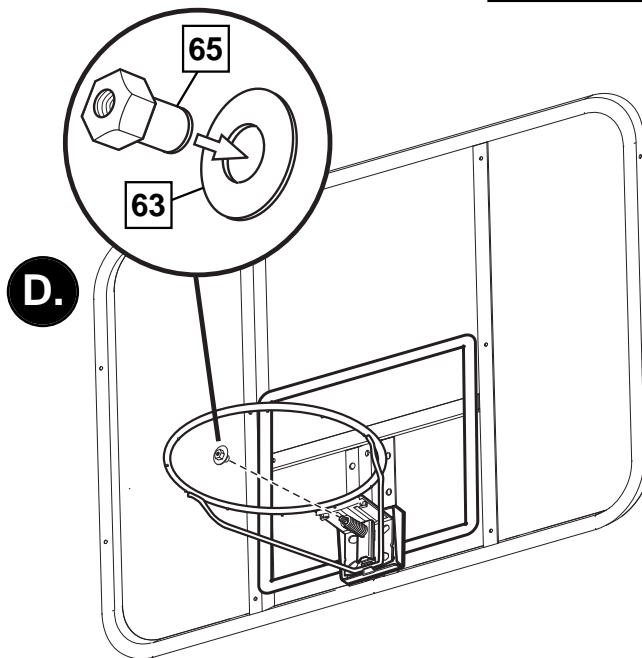
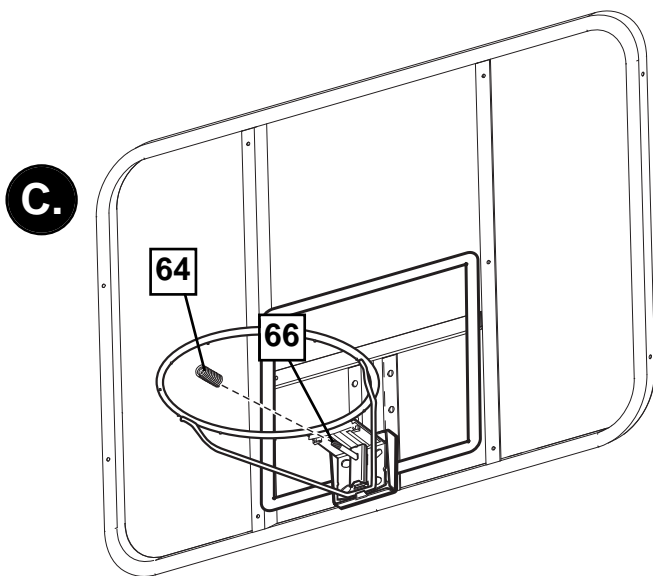
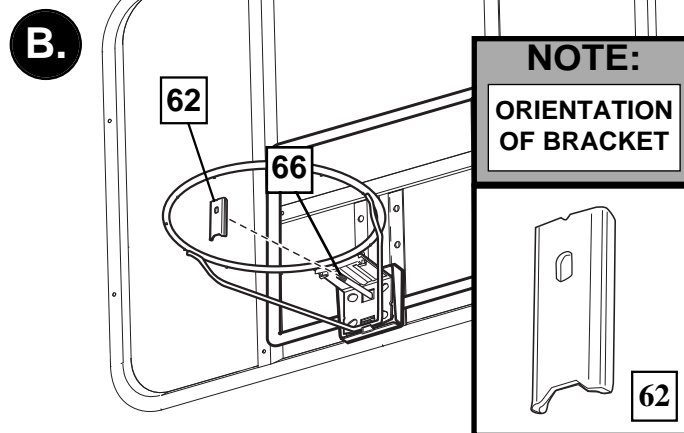
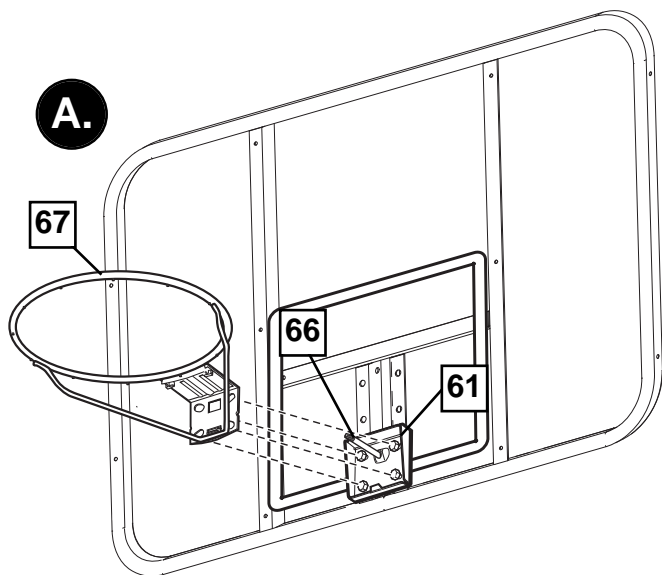




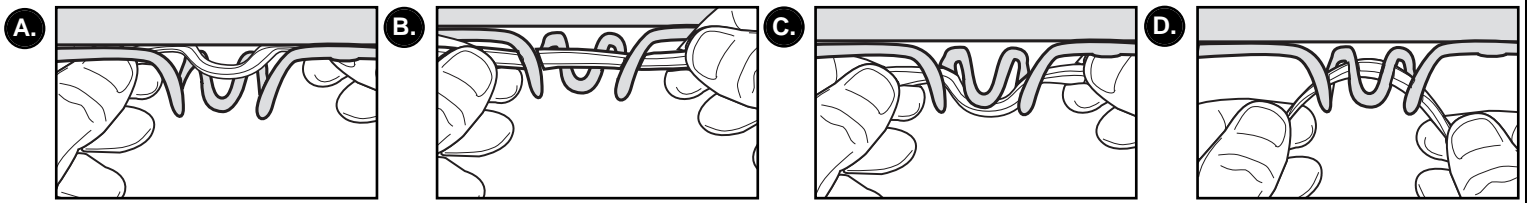
**NOTE:**  
 Before going on to next step, set adjustable system assembly to the 10' (3.05 m) setting.

**12.****Install Rim to Backboard**

- A. Fit rim (67) securely into bracket (61) as shown. Allow T-bolt (66) to slip through center hole in rim (67).
- B. Install reinforcement bracket (62) onto T-bolt (66) as shown.
- C. Install spring (64) onto T-bolt (66) as shown.
- D. Install special nut (65) and washer (63) onto T-bolt (66).
- E. Tighten special nut (65) until flush with end of T-bolt (66).

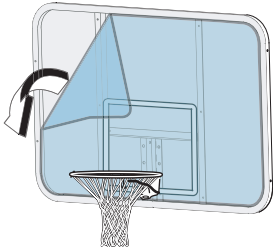


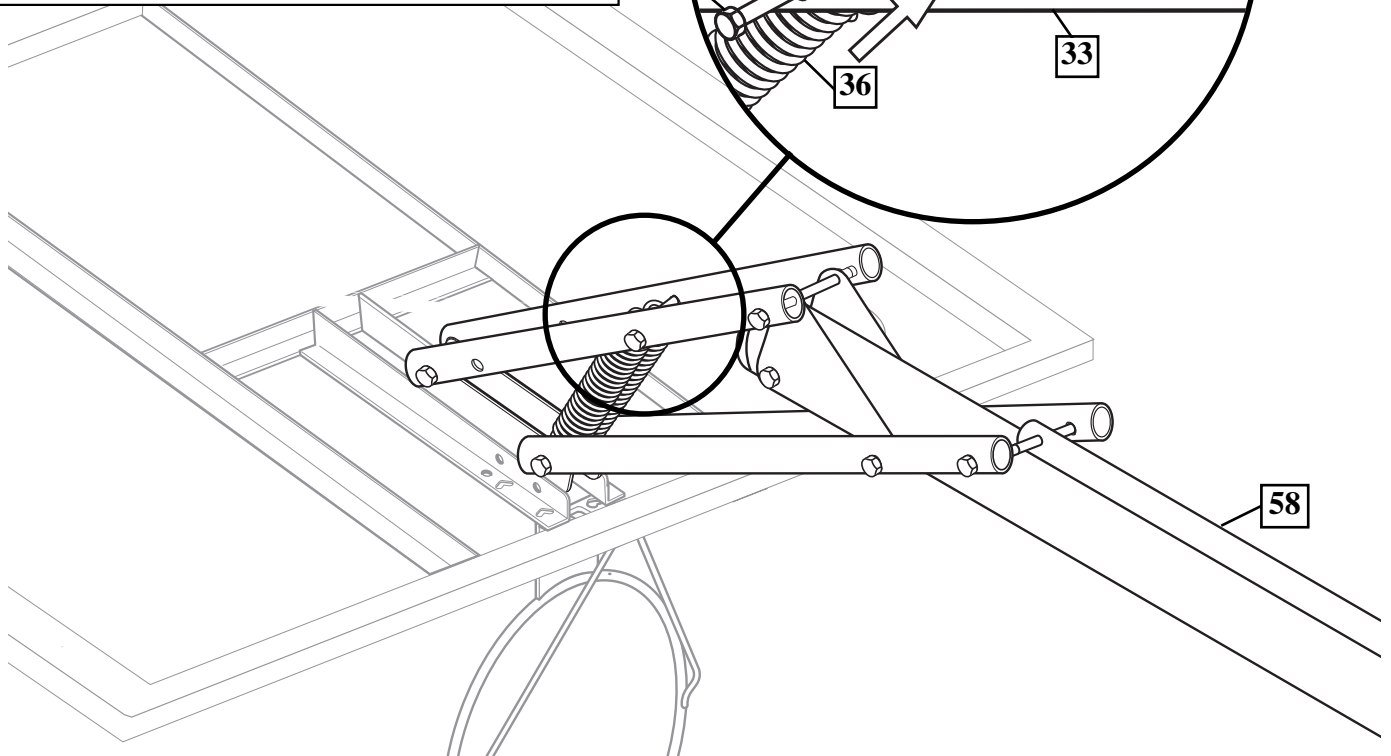
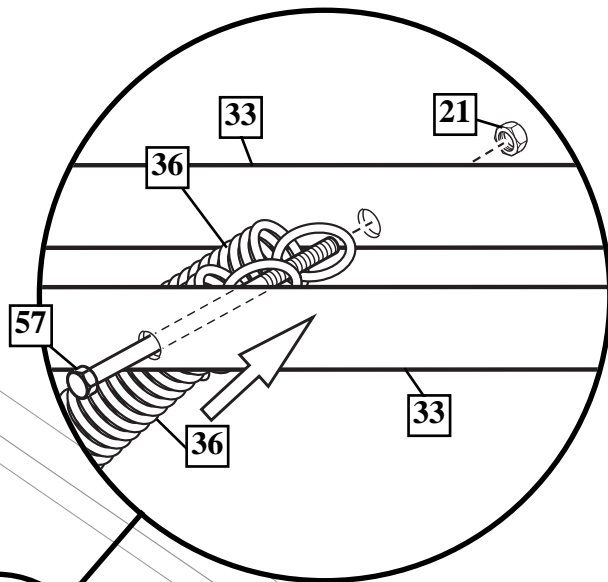
**13.** Install net (43).



**14.** Insert bolt (57) through left side upper elevator tube (33), then stretch spring (36) onto bolt (57). Insert bolt (57) through right side upper elevator tube (33) and secure with nut (21).

	<p><b>! WARNING!</b></p> <p>USE EYE PROTECTION WHEN INSTALLING SPRINGS.</p>
---	---

	<p><b>NOTE:</b></p> <p>Peel protective film from surface of acrylic backboard prior to use.</p>
--	---

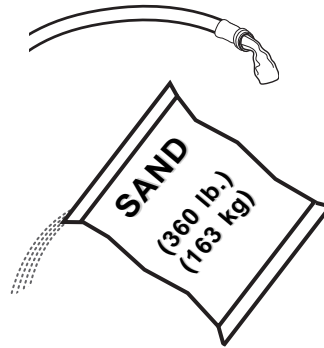




## SECTION D: *FILL BASE*

### TOOLS REQUIRED FOR THIS SECTION

#### Garden Hose or Sand



1. Roll assembly to desired playing area. Fill base (8) with water (approx. 40 gallons) and snap base plugs (37) in place.



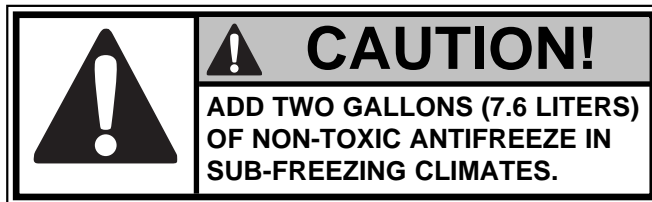
#### **! WARNING!**

**DO NOT LEAVE ASSEMBLY UNATTENDED WHEN EMPTY; IT MAY TIP OVER.**



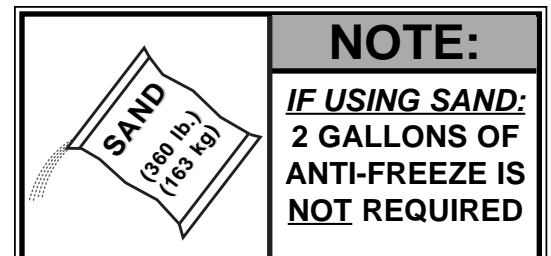
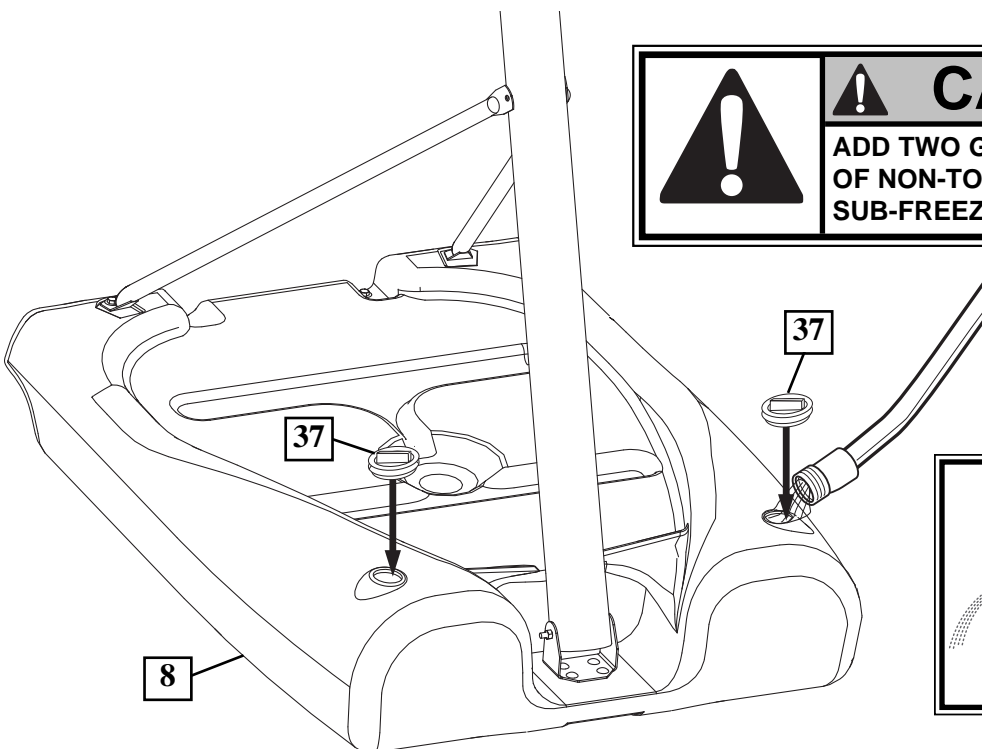
#### **! WARNING!**

**TWO PEOPLE REQUIRED FOR THIS PROCEDURE. FAILURE TO FOLLOW THIS WARNING COULD RESULT IN SERIOUS INJURY AND/OR PROPERTY DAMAGE.**



#### **! CAUTION!**

**ADD TWO GALLONS (7.6 LITERS) OF NON-TOXIC ANTIFREEZE IN SUB-FREEZING CLIMATES.**



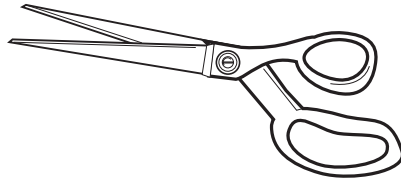
#### **NOTE:**

***IF USING SAND:***  
**2 GALLONS OF ANTI-FREEZE IS NOT REQUIRED**

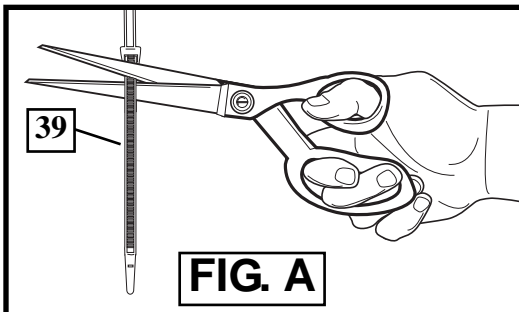
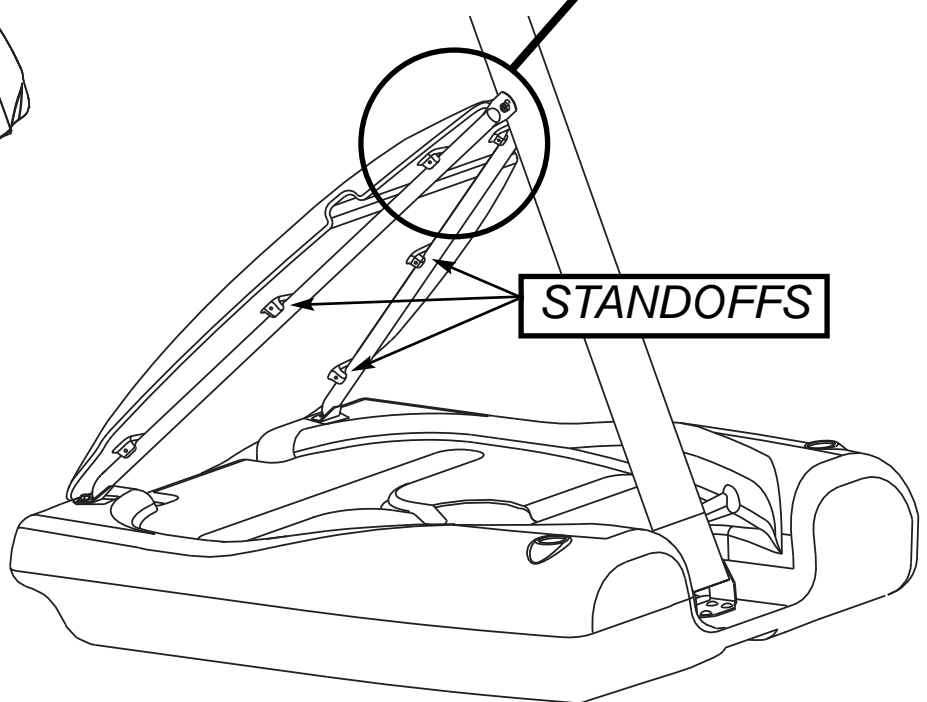
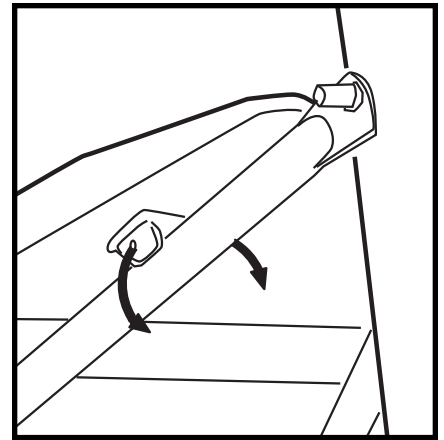
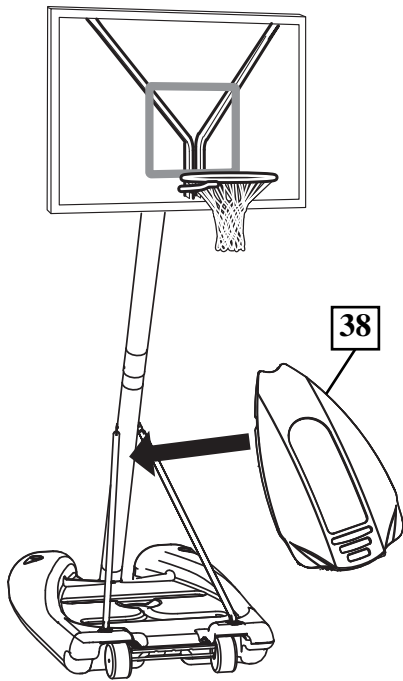
## SECTION E: *INSTALL FRONT COVER*

### TOOLS REQUIRED FOR THIS SECTION

#### Scissors



1. Install front cover (38) by lining up stand-offs along the tank struts. Insert a tie strap (39) through the top two and bottom two stand offs. Wrap tie straps around tank struts as shown and secure tightly. Trim excess of tie strap as shown in **FIG.A**.



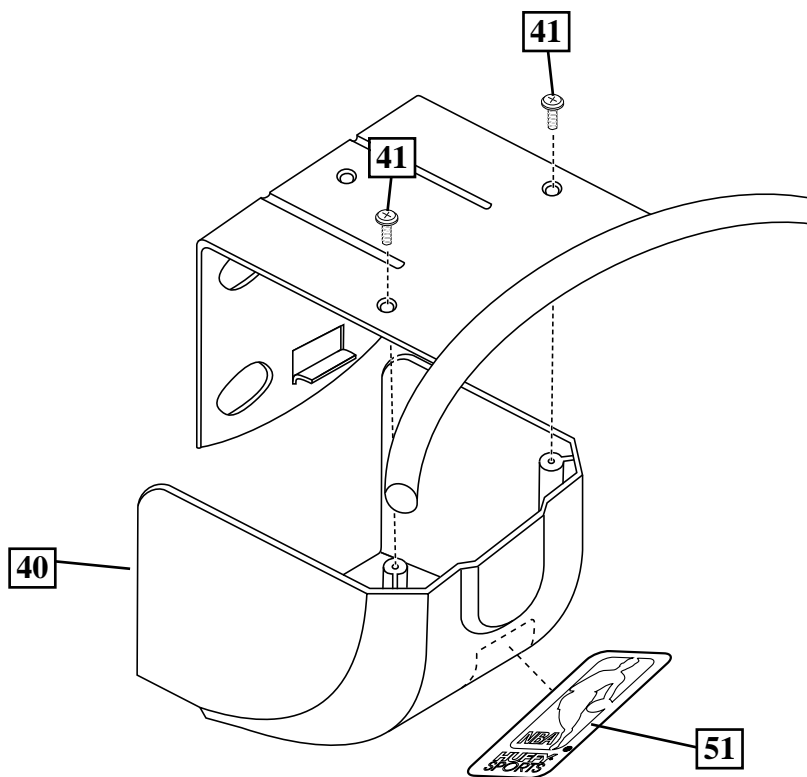
## SECTION F: *INSTALL RIM COVER*

### TOOLS REQUIRED FOR THIS SECTION

**Phillips  
Screwdriver**

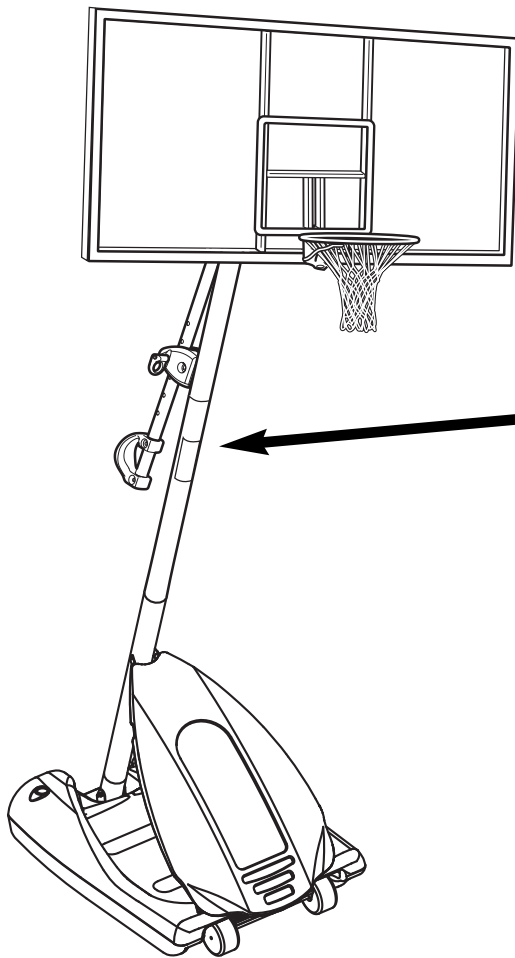


1. Install cover (40) over spring return mechanism with screws (41) as shown. Place NBA label (51) on front of rim cover (40).



## SECTION G: HEIGHT ADJUSTMENT AND MOVING LABEL

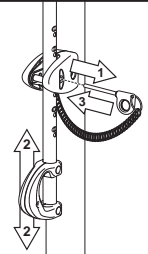
1. Apply Height Adjustment and Moving Label (42) to front of pole, where it is clearly visible.



### HEIGHT ADJUSTMENT

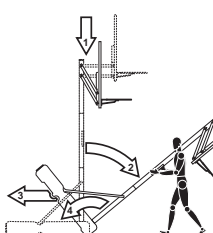
TO ADJUST BACKBOARD:

1. While holding handle, remove pin.
2. Move elevator up or down to desired height.
3. Replace pin full length to lock system at desired height.



### MOVING SYSTEM

1. Adjust basketball backboard height to lowest position.
2. While holding pole, rotate basketball system forward until wheels engage with ground.
3. Move basketball system to desired location.
4. Carefully rotate basketball system upright.
5. Check system for stability.



511679 05/05

42

2.
  - A. While holding handle, remove pin (27).
  - B. Move elevator up or down to desired height.
  - C. Replace pin (27) full length to lock system at desired height.

