

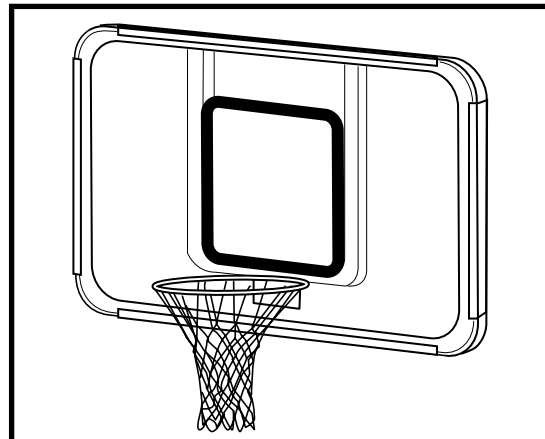
Backboard and Rim Owners Manual

⚠ SAFETY INSTRUCTIONS ⚠

FAILURE TO FOLLOW THESE SAFETY INSTRUCTIONS MAY RESULT IN SERIOUS INJURY, PROPERTY DAMAGE AND WILL VOID WARRANTY.

Owner must ensure that all players know and follow these rules for safe operation of the system.

To ensure safety, do not attempt to assemble this system without following the instructions carefully. Proper and complete assembly, use and supervision is essential for proper operation and to reduce the risk of accident or injury. A high probability of serious injury exists if this system is not installed, maintained, and operated properly. Check entire box and inside all packing material for parts and/or additional instructional material. Before beginning assembly, read the instructions and identify parts using the hardware identifier and parts list in this document.



- If using a ladder during assembly, use extreme caution.
- Two (2) people are recommended for this operation.
- Check base regularly for leakage. Slow leaks could cause system to tip over unexpectedly.
- Seat the pole sections properly (if applicable). Failure to do so could allow the pole sections to separate during play and/or transport of the system.
- Climate, corrosion or misuse could result in system failure.
- Minimum operational height is 6' 6" (1.98 m) to the bottom of backboard.
- This equipment is intended for home recreational use only and NOT excessive competitive play.
- Read and understand the warning label affixed to pole. Label is shown on page 1.
- The life of your basketball pole depends on many conditions. The climate, placement of the pole, the location of the pole, exposure to corrosives such as pesticides, herbicides or salts are all important.
- If technical assistance is required, contact Huffy Sports.
- Adult supervision is recommended when adjusting height.

*Most injuries are caused by misuse and/or not following instructions.
Use caution when using this system.*

For more information on assembly, placement, proper use and maintenance, visit The American Basketball Council website at <http://www.smarthoops.com>.

⚠ WARNING

FAILURE TO FOLLOW THESE WARNINGS MAY RESULT IN SERIOUS INJURY AND/OR PROPERTY DAMAGE.

Owner must ensure that all players know and follow these rules for safe operation of the unit.

- See instruction manual for proper installation and maintenance.
- Use caution when performing dunk type activities on this unit.
- Do not hang from any part of unit, including backboard, support braces, rim or net.
- Check unit before each use for loose hardware, excessive wear and signs of corrosion and repair before using.
- During play, use extreme caution to keep player's face away from the backboard, rim or net. Serious injury could occur if teeth/face come in contact with backboard, rim or net.
- During play, do not wear jewelry (rings, watches, necklaces, etc.) Objects may entangle in net.

HUFFY® SPORTS

In the U.S.: 1-800-558-5234 and Canada Only: 1-800-284-8339
206118 5/97

REQUIRED TOOLS AND MATERIALS:

- Step Ladder 8 ft. (2.4 m)
- Adjustable Wrench
- Wrenches: 7/16", 1/2", 9/16", 3/4"

In U.S. and Canada only: Have questions...don't go back to the store!

We appreciate your purchasing one of our many fine products. We are sure that you will be very satisfied with your selection. Although great care and effort have been taken, occasionally problems may occur. To ensure prompt and correct handling of any problems, or to answer any questions, please contact our Toll-Free Customer Service Number listed below. **Service will be quicker if you have your Model Number (found on carton) and assembly instructions ready when calling. PLEASE WRITE YOUR MODEL NUMBER IN THE SPACE PROVIDED ABOVE.**

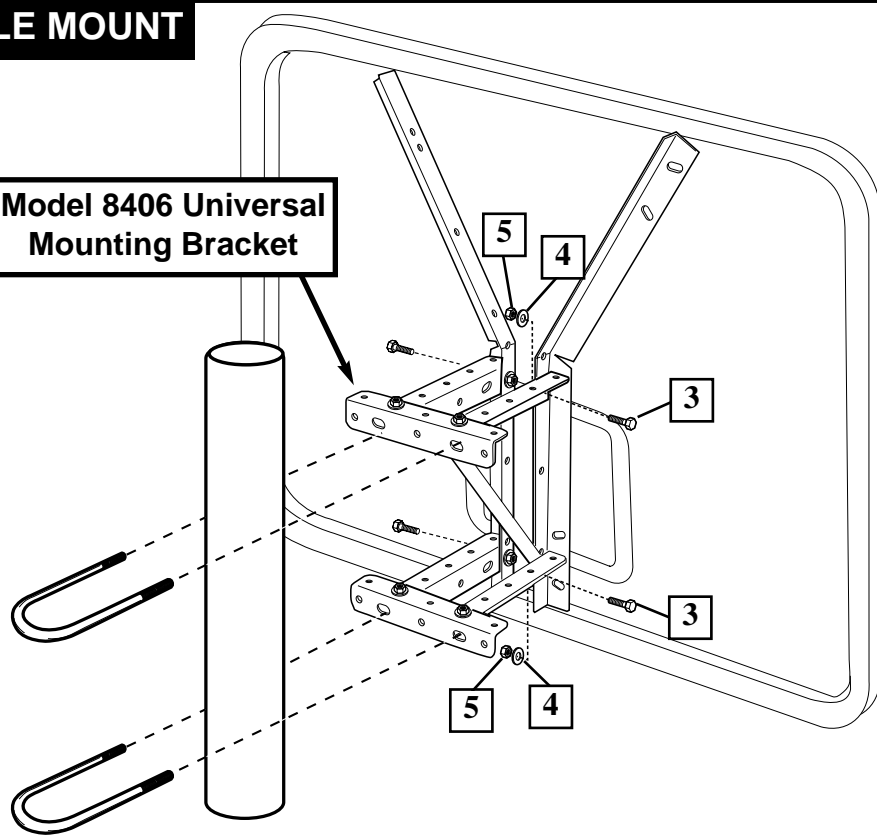
Toll-Free Customer Service Number for U.S: **1-800-558-5234** Canada Only: **1-800-284-8339**
For Australia: **1-800-632-792** Internet Address: <http://www.huffysports.com>

POLE, ROOF, OR WALL MOUNT

Model 8406 Universal Mounting Bracket is available for purchase
by calling this number: 1-800-558-5234

POLE MOUNT

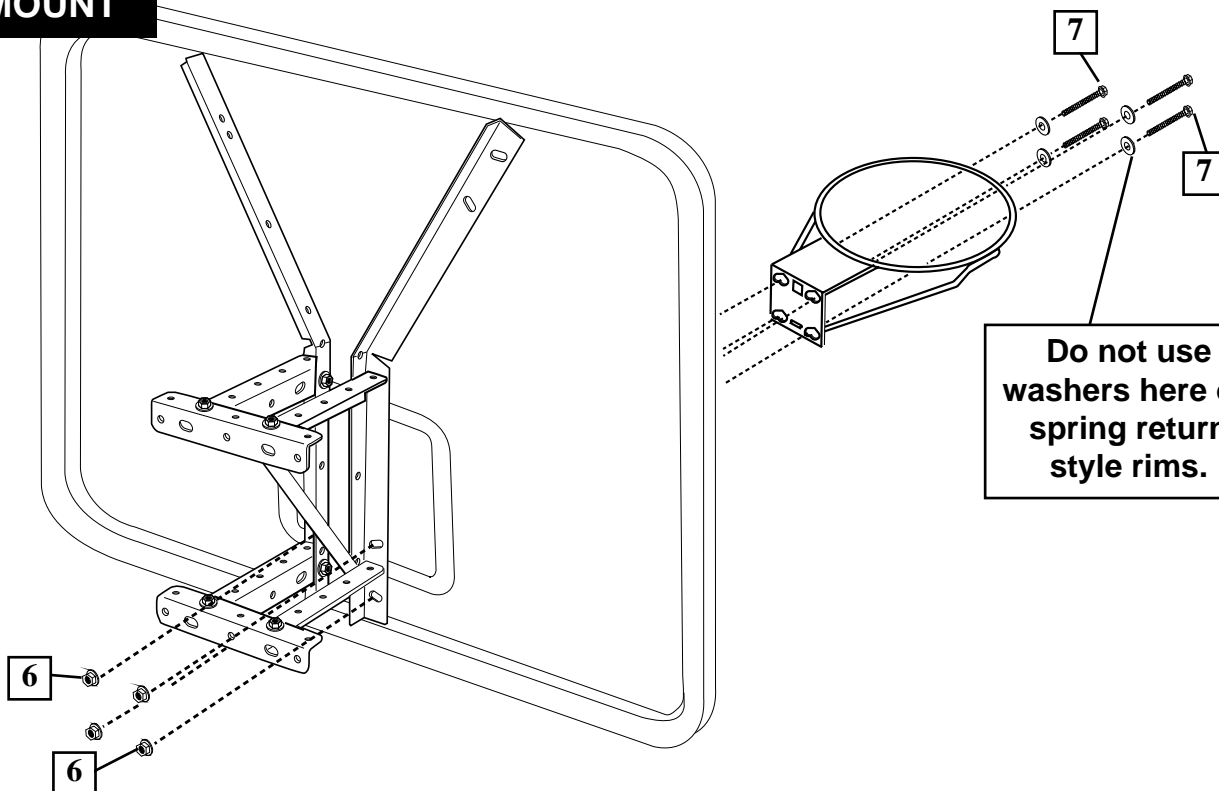
Model 8406 Universal
Mounting Bracket



IMPORTANT!

For spring loaded rim
assembly, refer to
instructions included with
rim hardware.

WALL MOUNT



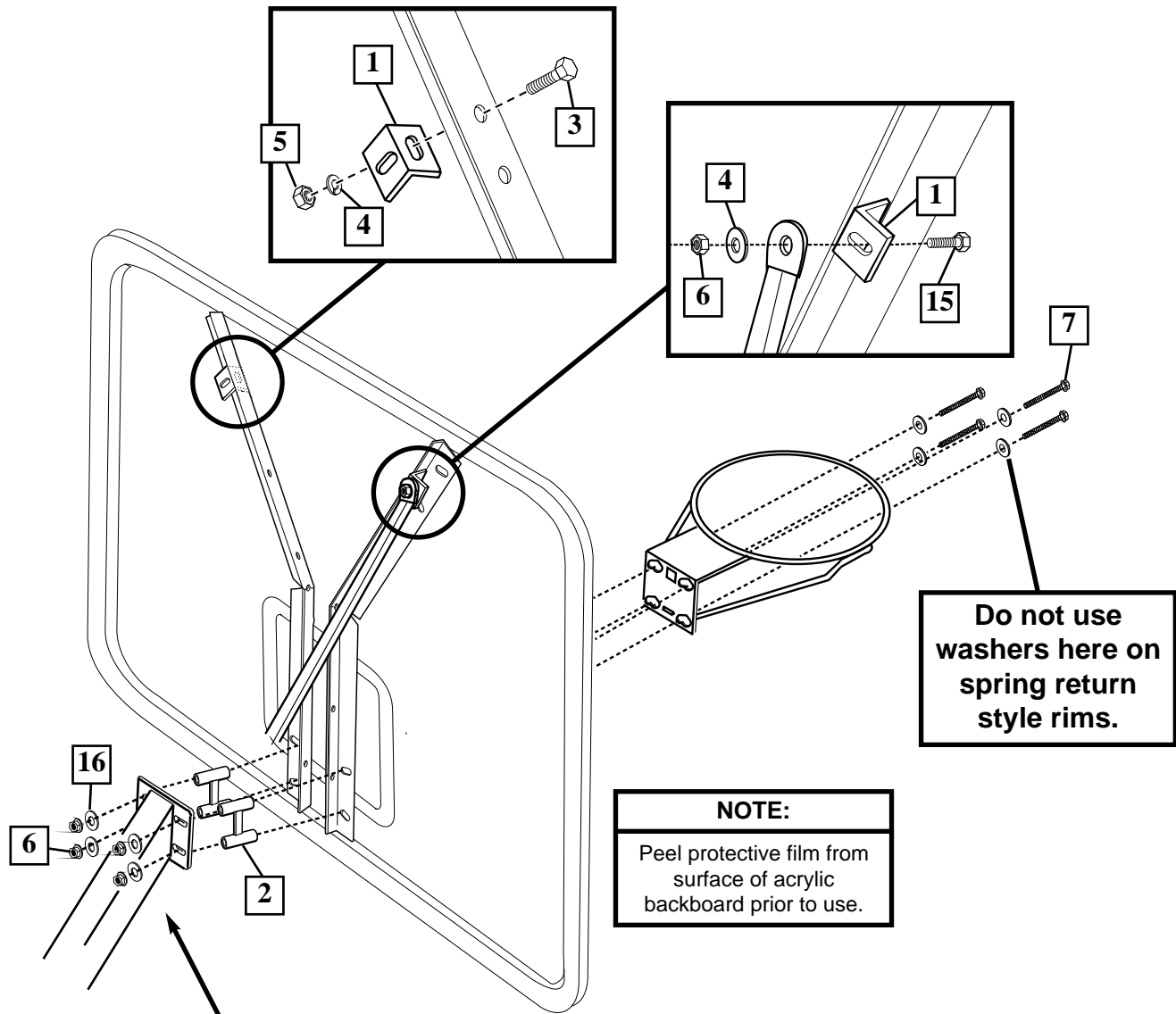
Do not use
washers here on
spring return
style rims.



IMPORTANT!

For spring loaded rim assembly, refer to instructions included with rim hardware.

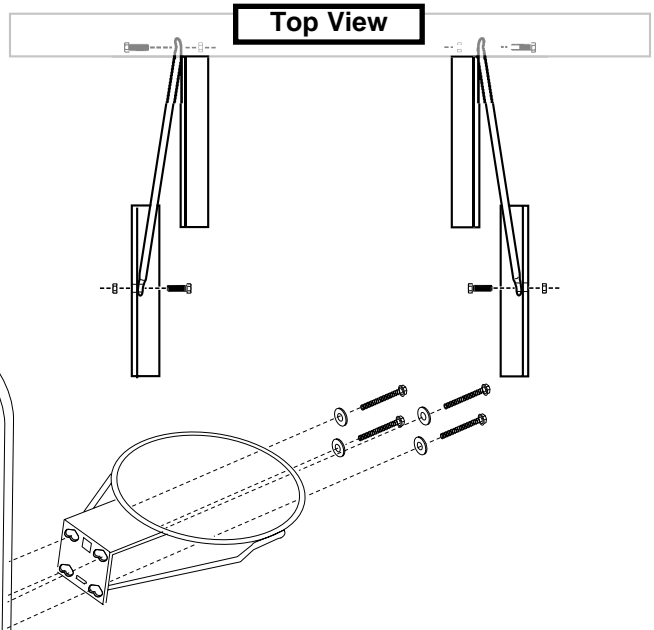
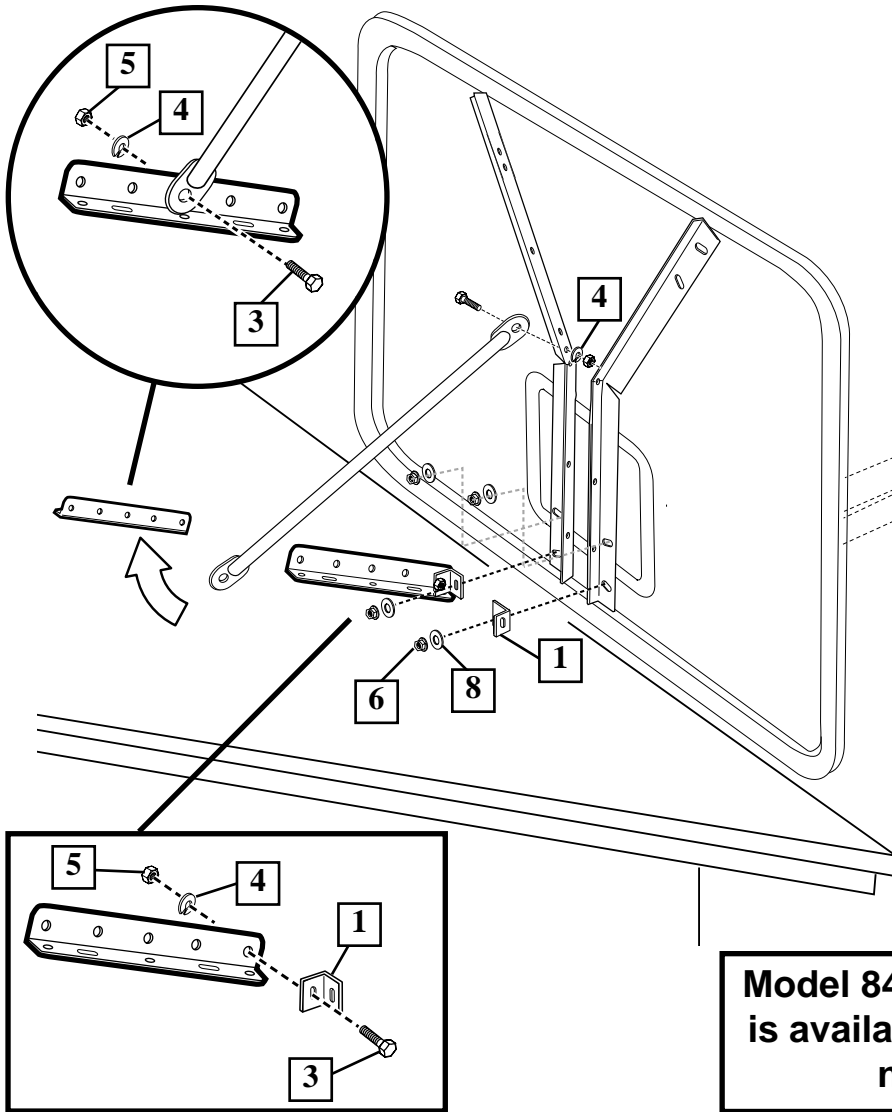
EXTENSION ARM MOUNT



NOTE:
We recommend mounting backboard to a solid material (steel) behind rim area.

WARNING: IF YOUR SYSTEM IS EQUIPPED WITH AN ACRYLIC BACKBOARD, EXAMINE BACKBOARD FOR ANY DAMAGE THAT MAY HAVE OCCURRED DURING SHIPMENT. CRACKS IN THE BACKBOARD COULD RESULT IN SUDDEN BREAKAGE. IF BACKBOARD IS DAMAGED IN ANY WAY PRIOR TO OR AFTER ASSEMBLY, CALL TOLL-FREE NUMBER FOR FREE REPLACEMENT:
U.S. 1-800-558-5234; CANADA: 1-800-284-8339; <http://www.huffysports.com>

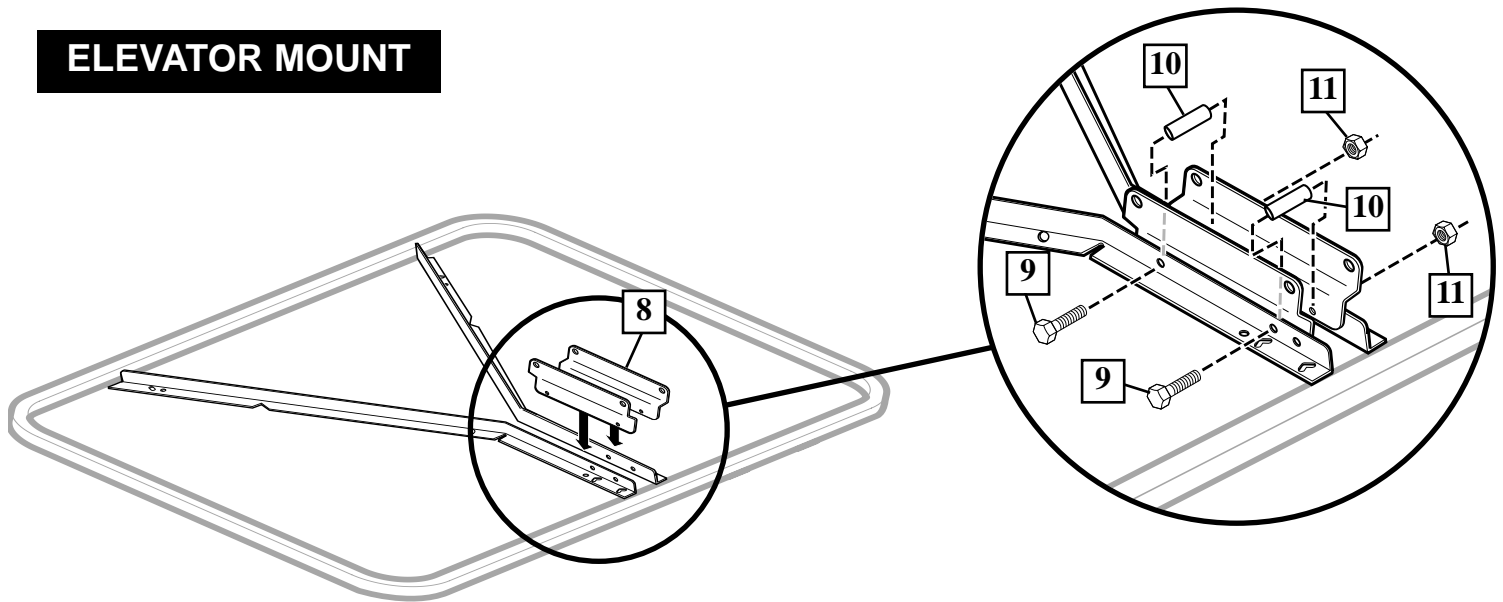
ROOF MOUNT



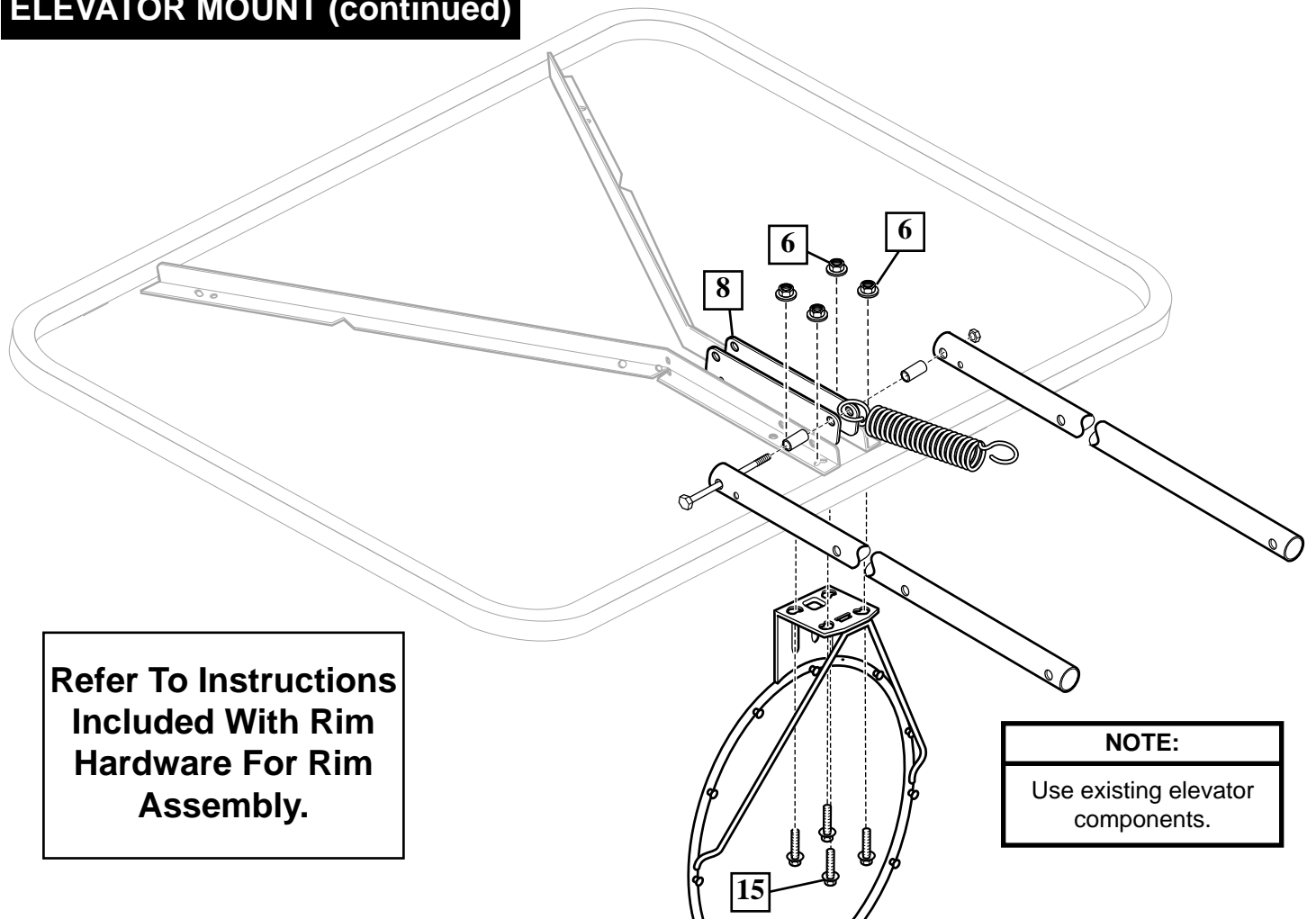
NOTE:
Hardware for mounting the brackets to the roof is not included.

Model 8406 Universal Mounting Bracket is available for purchase by calling this number: 1-800-558-5234

ELEVATOR MOUNT



ELEVATOR MOUNT (continued)

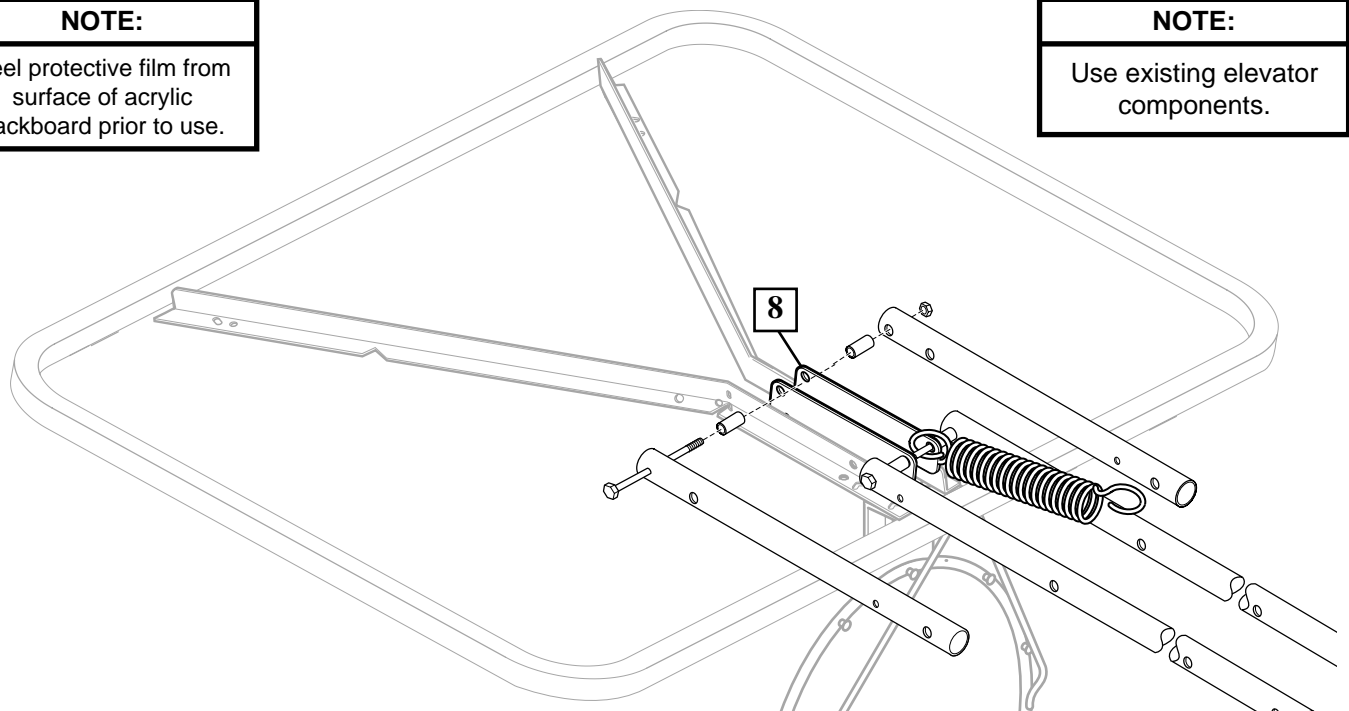


**Refer To Instructions
Included With Rim
Hardware For Rim
Assembly.**

NOTE:
Use existing elevator
components.

NOTE:
Peel protective film from
surface of acrylic
backboard prior to use.

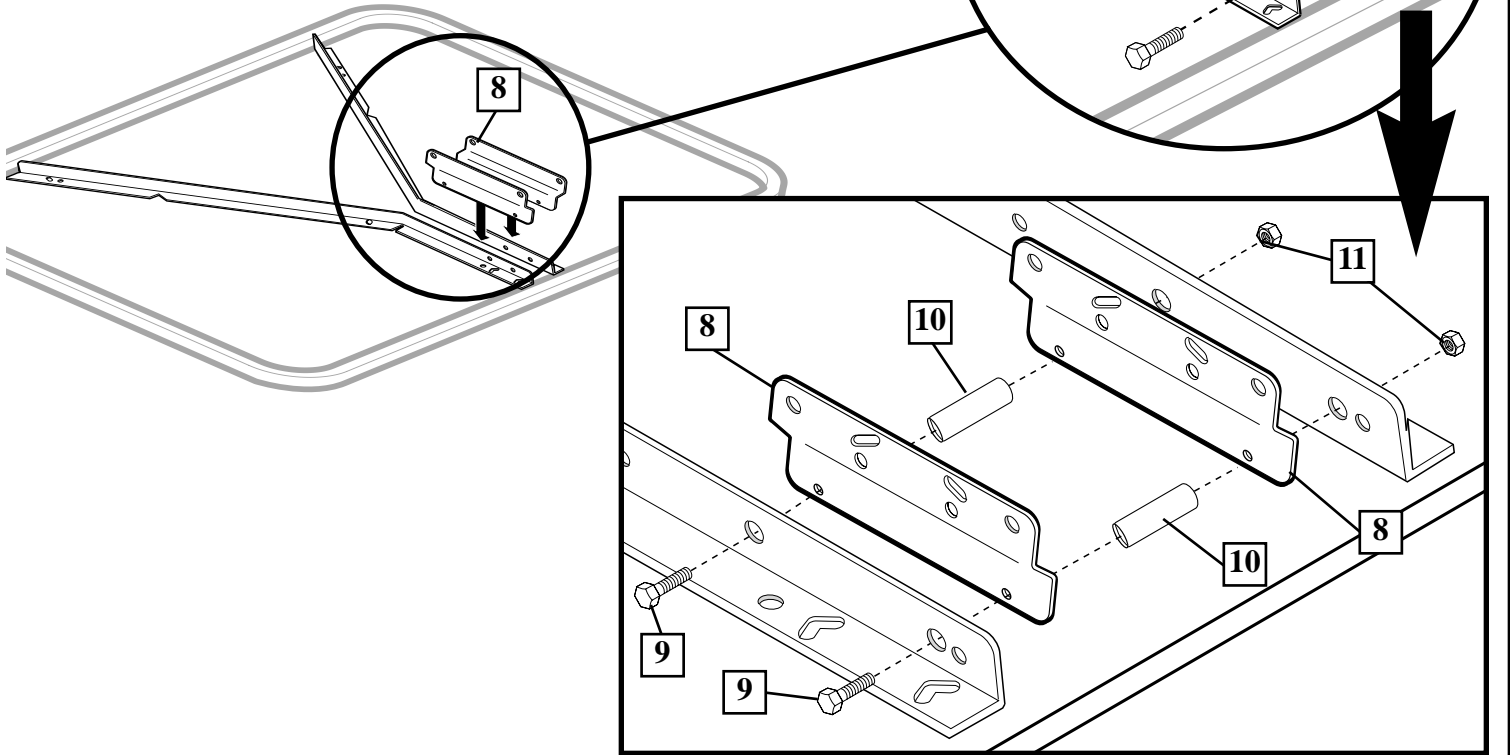
NOTE:
Use existing elevator
components.



BRONZE RATCHET ELEVATOR MOUNT

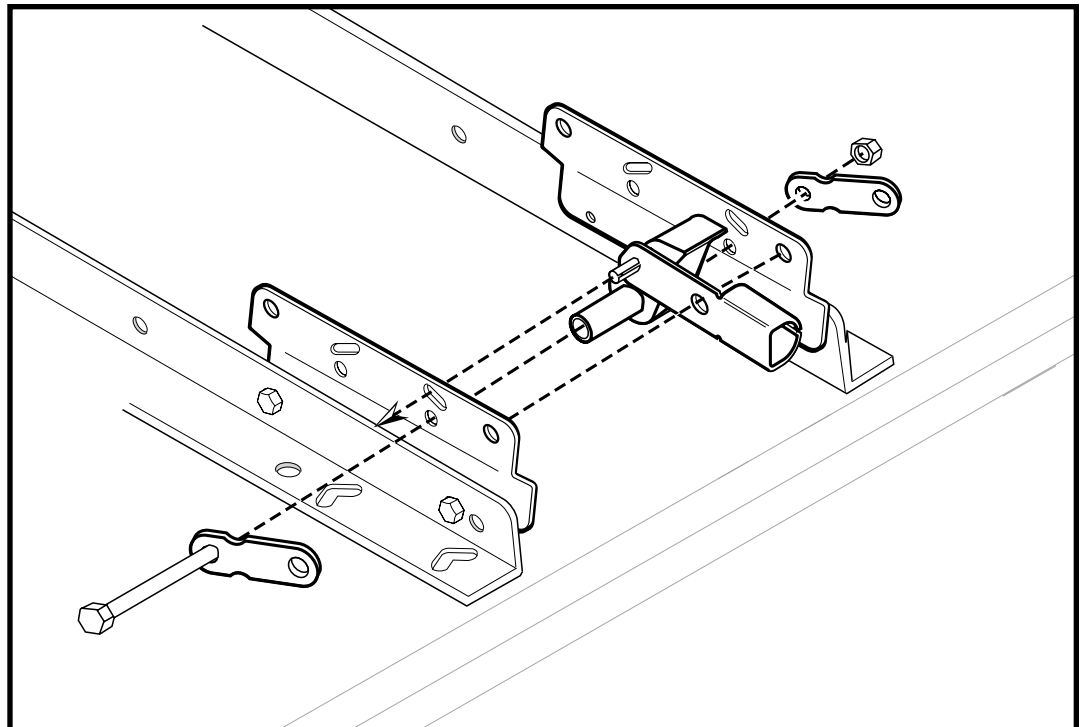
IMPORTANT!

Test fit bolts into holes of backboard brackets and carefully rock them in a circular motion to ream paint from holes if necessary.

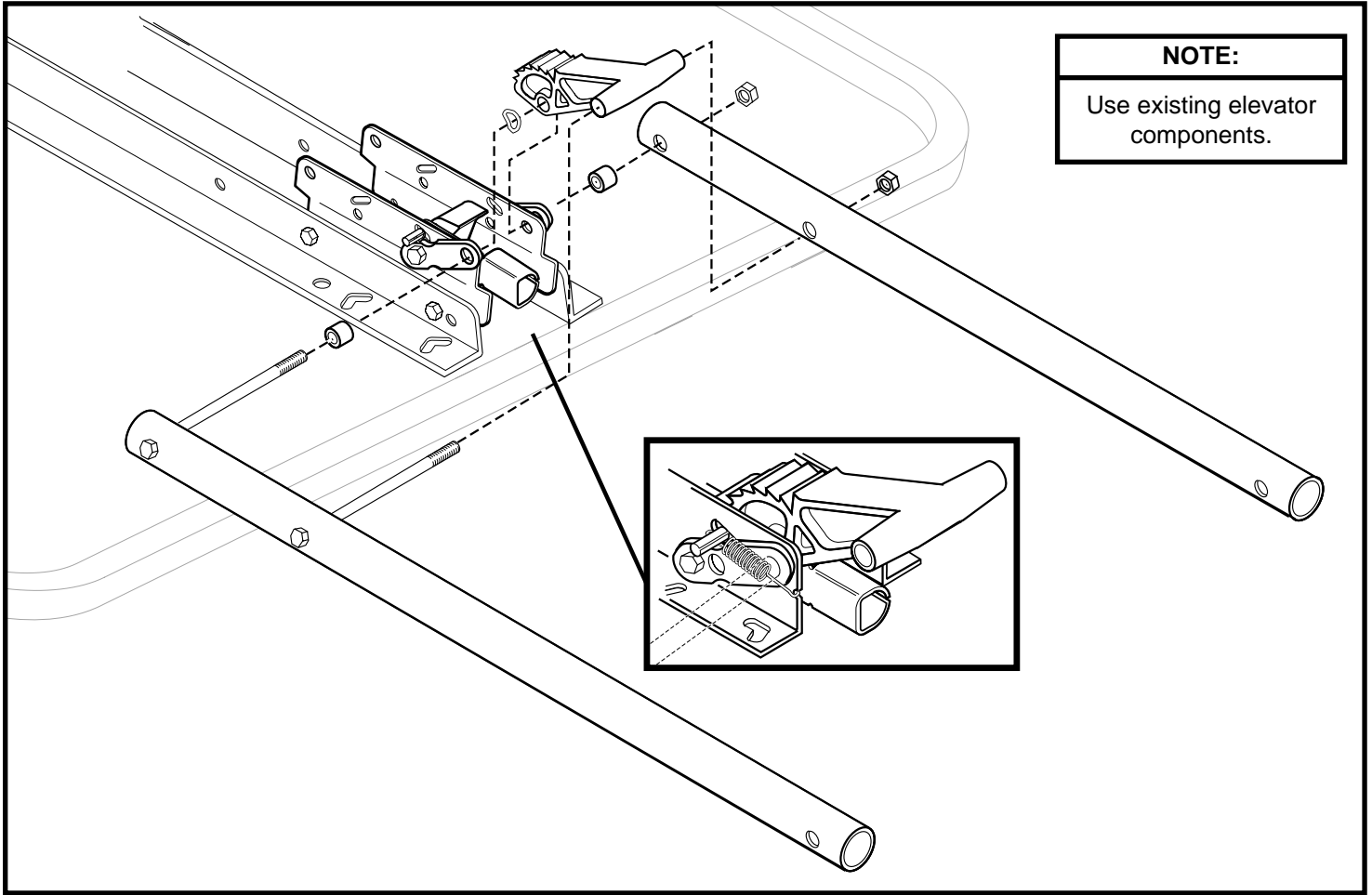


NOTE:

Use existing elevator components.

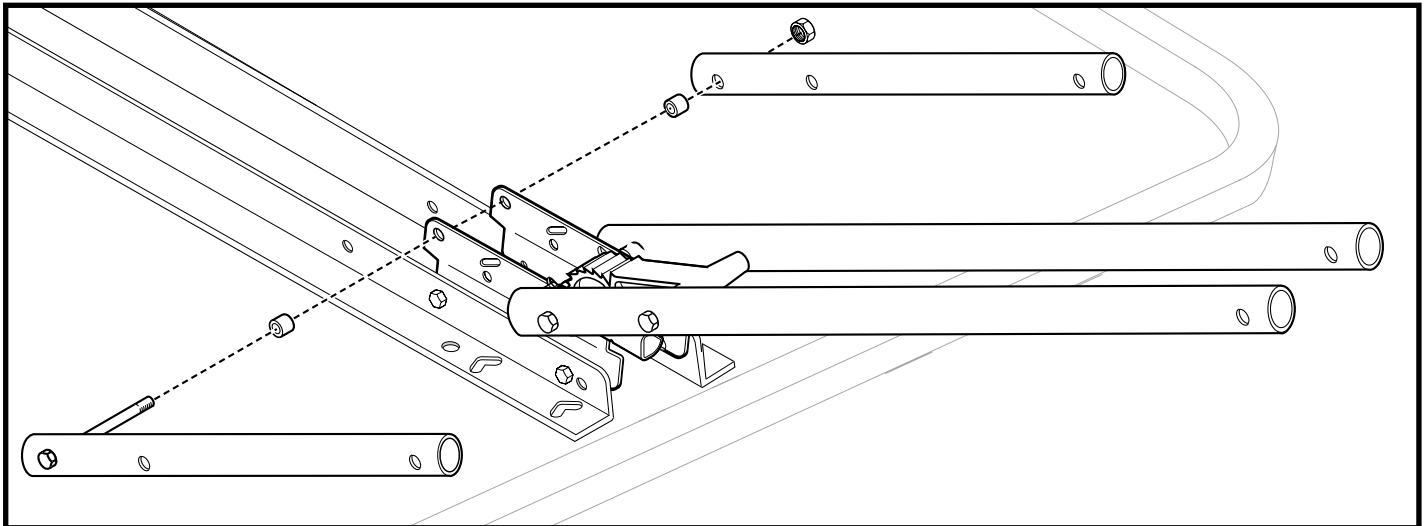


BRONZE RATCHET ELEVATOR MOUNT (continued)



NOTE:
Use existing elevator components.

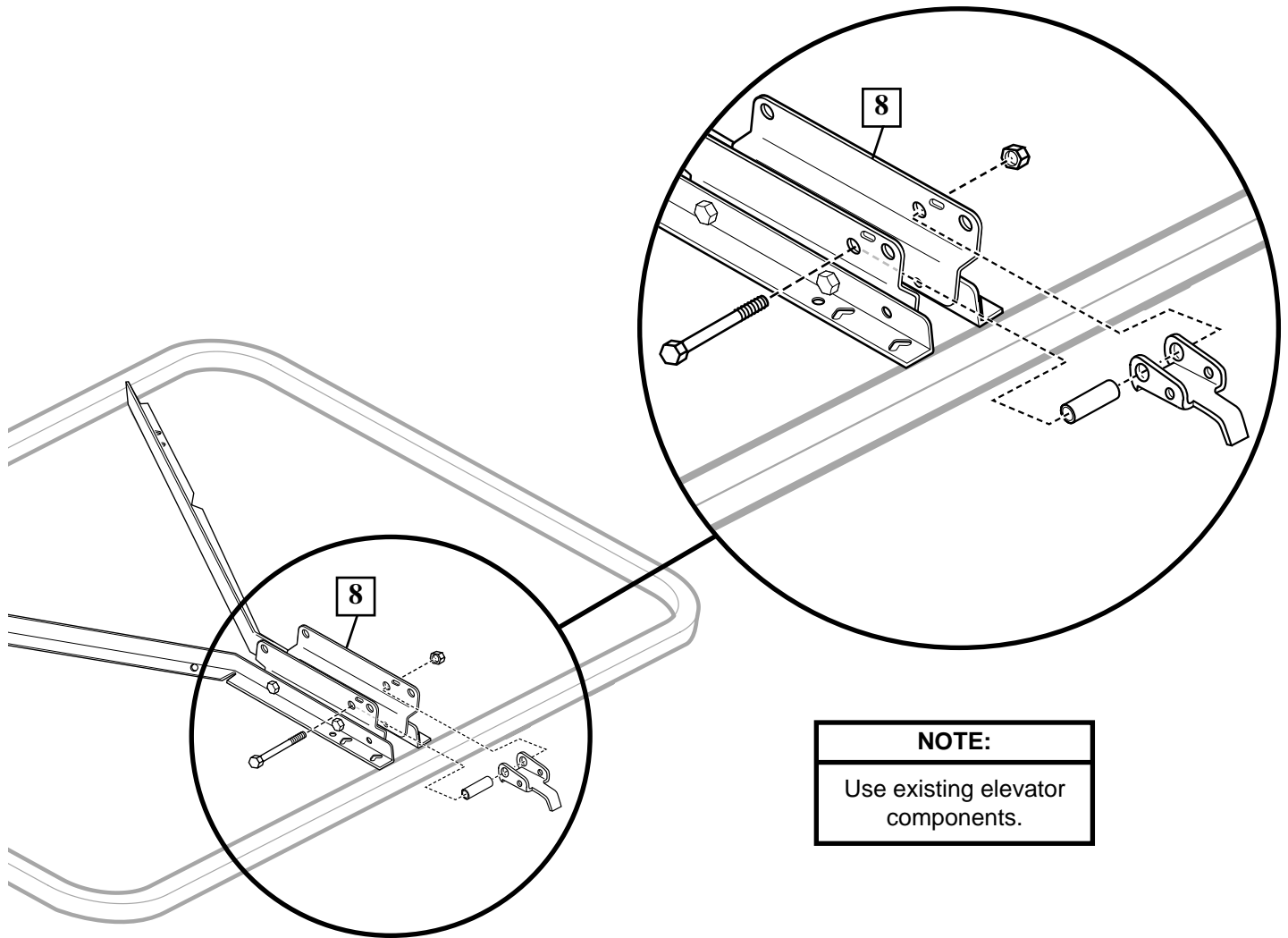
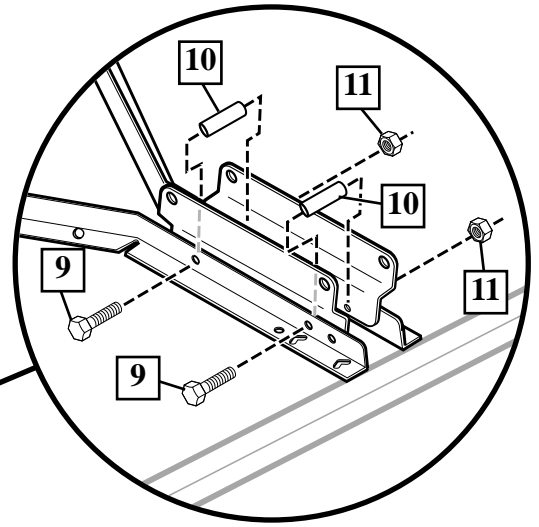
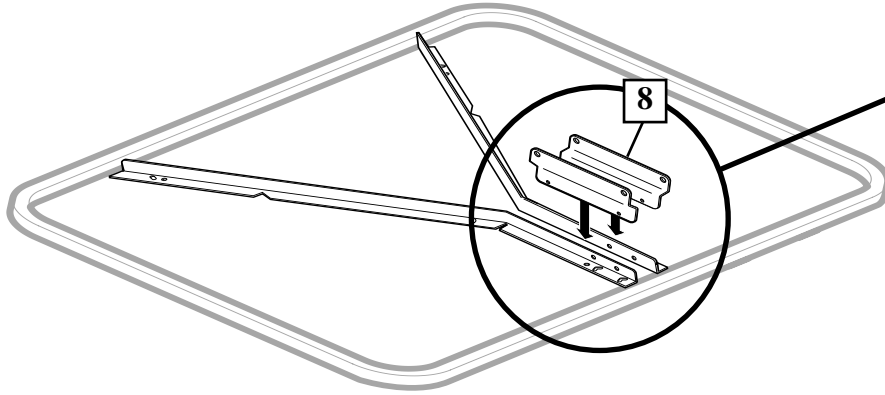
NOTE:
Use existing elevator components.



STAMPED RATCHET ELEVATOR MOUNT

IMPORTANT!

Test fit bolts into holes of backboard brackets and carefully rock them in a circular motion to ream paint from holes if necessary.



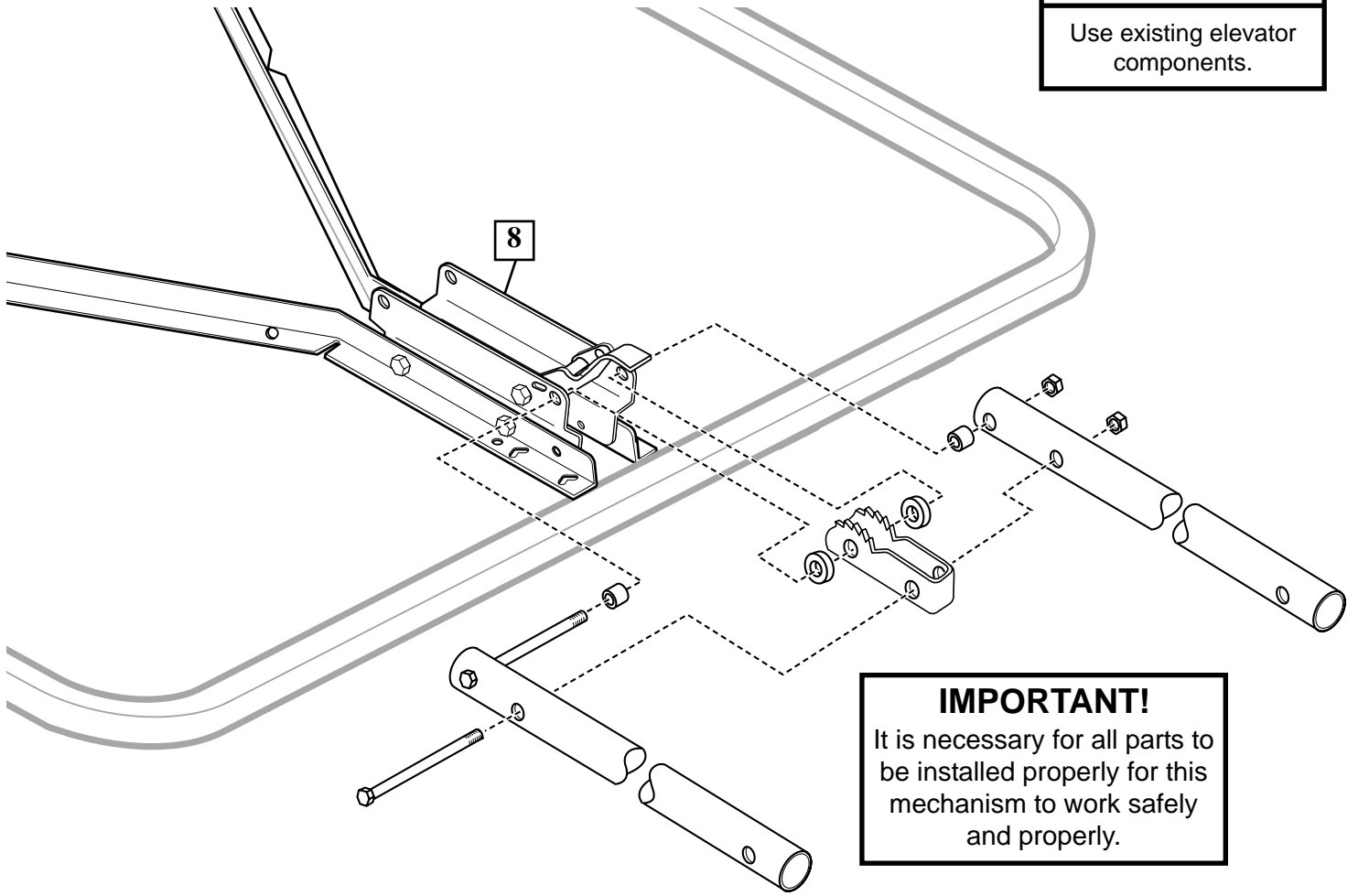
NOTE:

Use existing elevator components.

STAMPED RATCHET ELEVATOR MOUNT (continued)

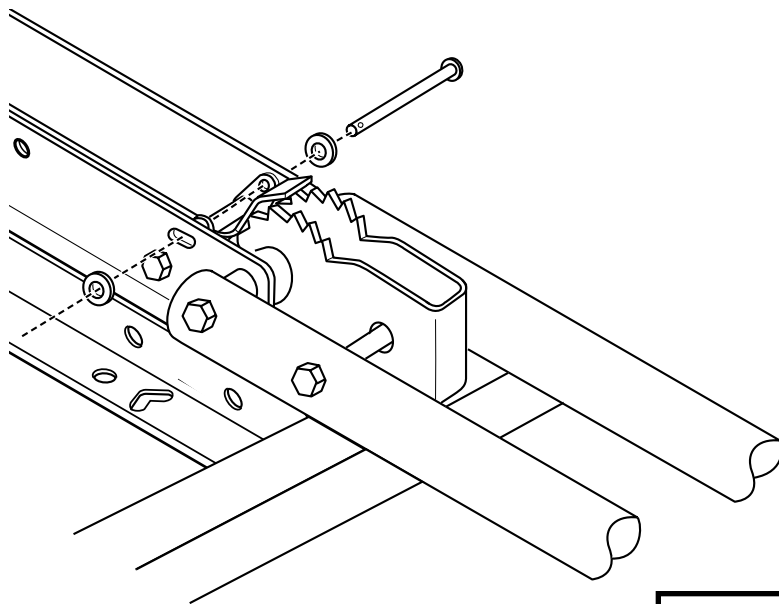
NOTE:

Use existing elevator components.



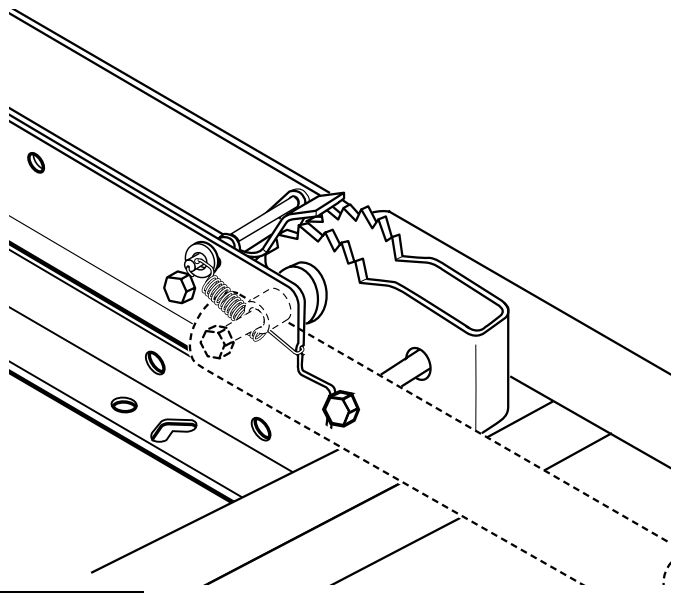
IMPORTANT!

It is necessary for all parts to be installed properly for this mechanism to work safely and properly.



NOTE:

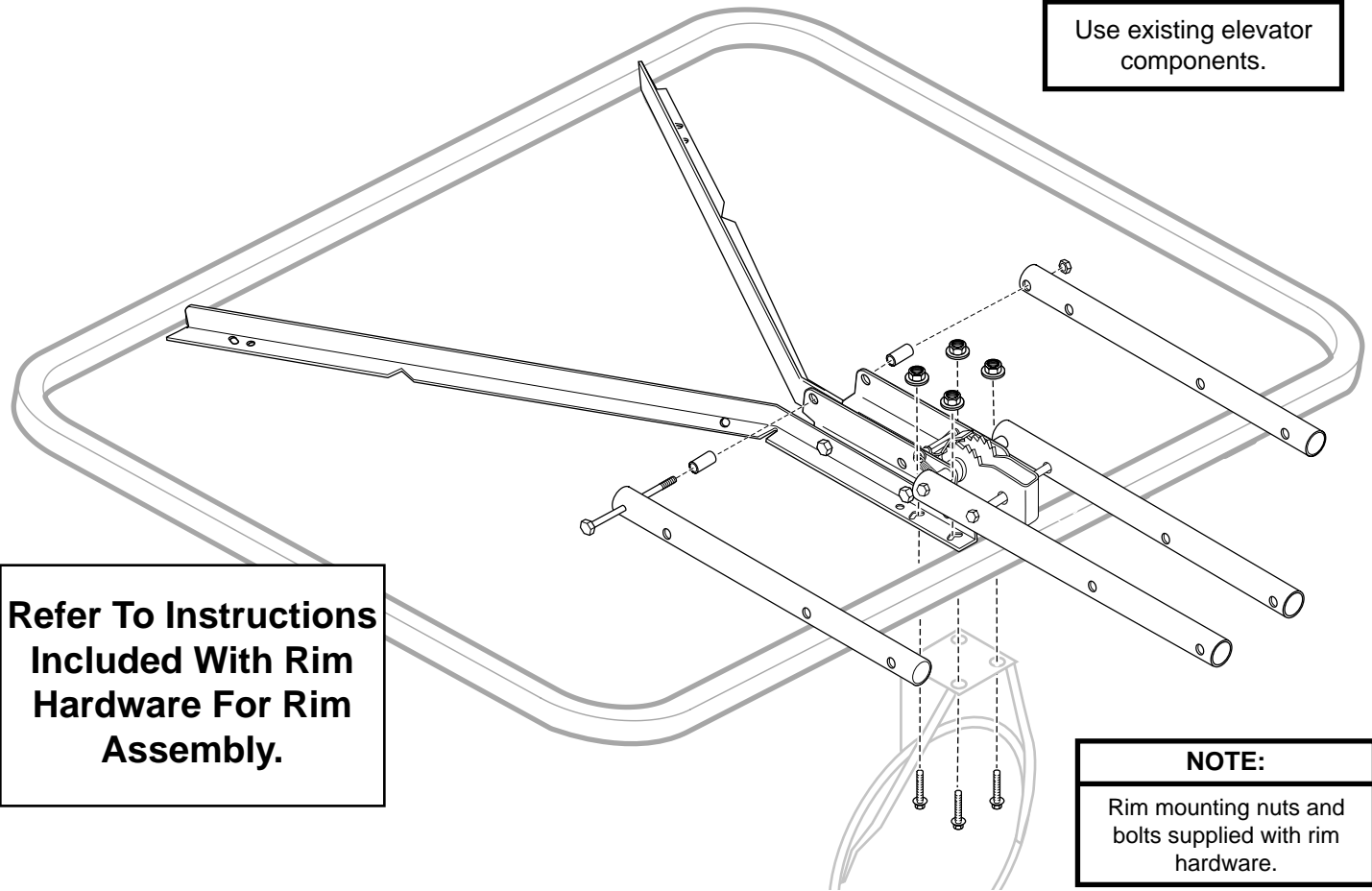
Use existing elevator components.



STAMPED RATCHET ELEVATOR MOUNT (continued)

NOTE:

Use existing elevator components.



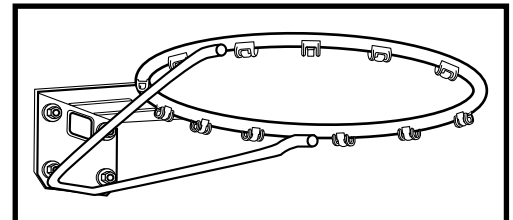
Refer To Instructions
Included With Rim
Hardware For Rim
Assembly.

NOTE:

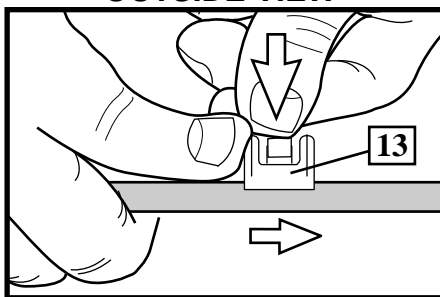
Rim mounting nuts and
bolts supplied with rim
hardware.

NET CLIP INSTALLATION

The Quick Clip™ rapid release net system lets the net pull away from the rim. This reduces the risk of player injury or property damage. However, improper installation or a ball making contact at an odd angle may disengage the net clip from the goal rim. Usually, the clip is reinstalled with little or no problem. We hope that you agree this inconvenience is minor when compared to the safety of the players.
Quick Clip: US Patent No. 5,792,010/5,795,253



OUTSIDE VIEW



The two outer hooks on net clip must face towards inside of goal rim. Insert larger hole in net clip onto rim stud, **push down** on net clip, then slide net clip right, locking or snapping securely into position (clips must "snap" into place to insure a secure fit).

NOTE: Net clips should not slide with ease. It is very important that the net clips are in the locked position before going on to next step.



WARNING: Use of this product without proper installation of net clips, or when all net clips are not present could result in bodily harm. Be sure to follow directions carefully.



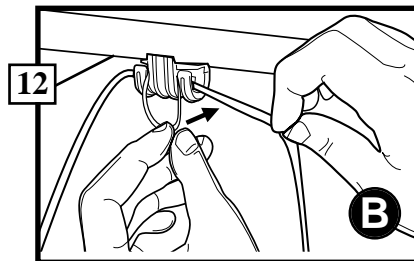
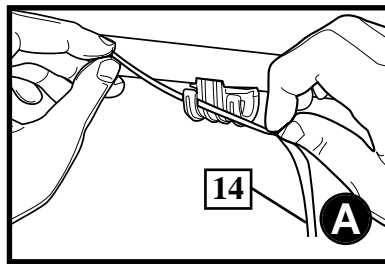
NET INSTALLATION

- A. Slide net into outer hook as shown.
- B. Slide net into second outer hook creating a loop as shown. Push loop to back of clip.
- C. Pull loop up and through back of clip, snapping over the middle hook.
- D. Pull net down to make sure it is held securely by all three hooks.

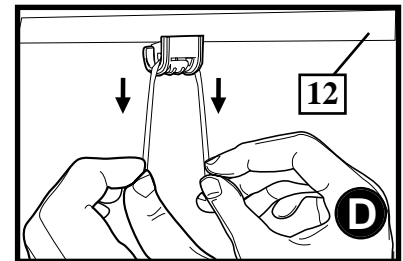
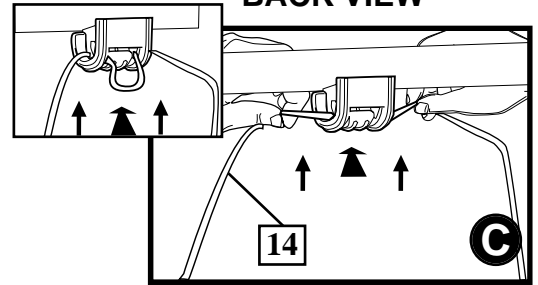
NOTE:

If net releases during normal play, net was improperly installed. Please review instructions to install net properly.

FRONT VIEW



BACK VIEW



IMPORTANT!

Make sure net is held by all three hooks on the net clip.

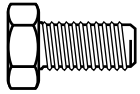


PARTS LIST - See Hardware Identifier

<u>Item</u>	<u>Qty.</u>	<u>Part No.</u>	<u>Description</u>
1	4	202341	"L" Bracket
2	2	200837	Spacer, Plastic
3	6	201107	Bolt, Hex Head, 1/4-20 x 1/2 Long
4	6	203326	Washer, Lock, 1/4
5	6	203228	Nut, 1/4-20
6	8	203100	Hex Flange Nut 5/16-18
7	4	203104	Bolt, Hex Flange, 5/16-18 x 2 Long
8	2	900964	Bracket, Backboard Support
9	2	206360	Bolt, Hex Head, 3/8-16 x 2.625 Long
10	2	200874	Spacer, Steel .402 I.D. x .50 O.D. x 1.5 Long
11	2	201124	Nut, 3/8-16
12	1		Rim
13	12*	200120	Clip, Net Holder, (Red)
	12*	200121	Clip, Net Holder, (Black)
14	1	204281	Net
15	4	205528	Bolt, Hex Flange, 5/16-18 x 1 Long
16	8	203309	Washer, Flat

* You May Have Extra Parts With This Model.

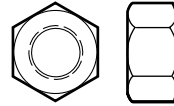
HARDWARE IDENTIFIER



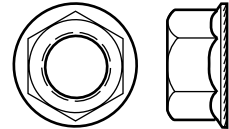
Item #3 (6)



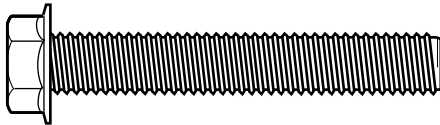
Item #4 (6)



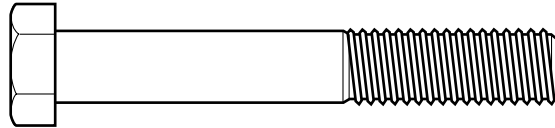
Item #5 (6)



Item #6 (8)



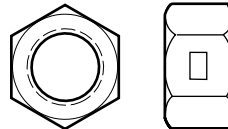
Item #7 (4)



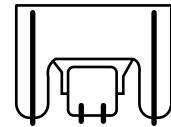
Item #9 (2)



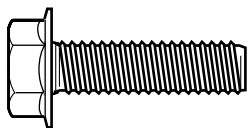
Item #10 (2)



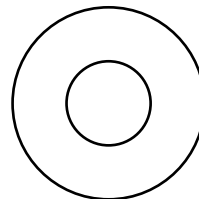
Item #11 (2)



Item #13 (12*)



Item #15 (4)



Item #16 (8)

Additional Product Information

Limited Warranty Information

Terms and Conditions

Huffy Sports ("Huffy") warrants your product to be free from defects in material and workmanship for the period of time indicated below for your particular product from the date of purchase. (Herein the "warranty period".) This warranty applies only to the original purchaser of the product.

Huffy is not responsible for any expenses incurred during the installation of its products.

If a Huffy product fails because of a defect in material and/or workmanship during the warranty period, the original purchaser shall, within the warranty period, return the defective product to Huffy (at original purchaser's expense) at the address indicated above along with the proof of purchase. If the product is defective in material and/or workmanship, then Huffy will replace the product, or whatever parts of the product were defective.

IN ALL EVENTS, HUFFY'S LIABILITY SHALL BE LIMITED TO REPLACING THE DEFECTIVE PRODUCT OR PART AND HUFFY SHALL NOT BE LIABLE FOR ANY SPECIAL, INCIDENTAL, OR CONSEQUENTIAL DAMAGES CAUSED AS A RESULT OF SAID DEFECT. THIS DISCLAIMER APPLIES TO THE ORIGINAL PURCHASER AND ALL OTHER PERSONS AS WELL. SOME STATES DO NOT ALLOW THE EXCLUSION OR LIMITATION OF INCIDENTAL OR CONSEQUENTIAL DAMAGES, SO THE ABOVE LIMITATIONS OR EXCLUSIONS MAY NOT APPLY TO YOU.

Further warranty limitations and exclusions:

The warranty herein does not apply and Huffy assumes no responsibility for any damages or defects that may be due to any one or more of the following:

1. Damage caused by misuse, abuse, hanging from rim, vandalism, improper installation or failure to follow maintenance guidelines in the product owners manual. All products are intended for home recreational use only and NOT extensive competitive use.
2. Scratching, scuffing or fractures to the unit that may result from normal recreational usage.
3. Deterioration, damage or fractures to the unit due to severe weather conditions including but not limited to tornadoes, hail, flooding or hurricanes.
4. Discoloration due to exposure to chemicals and/or salt spray either directly or in the atmosphere.

To the extent that the warranty exclusions are not permitted by some state laws, the said limitations or exclusions may not apply to you.

This warranty gives you specific legal rights, and you may also have other rights which vary state to state.

Backboards

Steel Framed Acrylic	5 Years	44" Molded	5 Years
Molded Framed Acrylic	8 Years	48" Molded	Lifelong

Toll-Free Customer Service Number for U.S: **1-800-558-5234** Canada Only: **1-800-284-8339**
For Australia: **1-800-632-792** Internet Address: <http://www.huffysports.com>

