

PRECOR^{USA}
move beyond[®]



**Commercial StretchTrainer
Assembly Guide
C240**



Thank you for purchasing the Precor StretchTrainer™. You have made an excellent choice in reducing your daily stress, enhancing muscle elasticity and flexibility, diminishing the risk of injury, and increasing body awareness and relaxation. The StretchTrainer puts the emphasis on flexibility, and like all Precor products, it is manufactured to the highest quality standards.

The StretchTrainer makes it easy to incorporate stretching into your daily routine. There is no getting up and down off the floor or dealing with awkward balancing rituals. The StretchTrainer uses alignment, traction, and precisely engineered angles to place your body in its most advantageous position for stretching and flexibility training. The patented StretchTrainer design locks in your legs and pelvis as the seat pivots back. This stabilizes your back so that the weight of your body helps achieve an optimal stretch. No other stretching device puts your body in such an ideal position.

This guide provides important safety and assembly instructions. An instructional placard, attached to the StretchTrainer, illustrates several stretching techniques.

Important Safety Instructions

When using exercise equipment, basic precautions should always be taken, including the following:

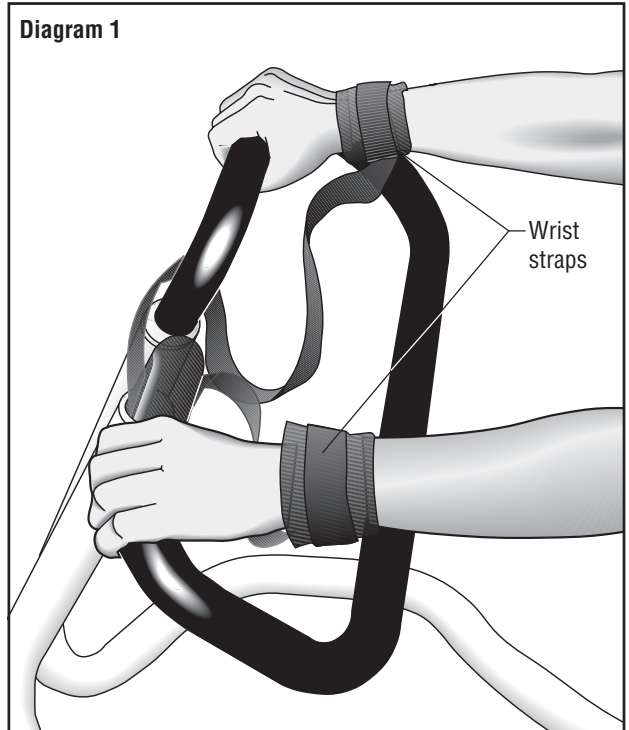
- Read all instructions before using the StretchTrainer. These instructions are written to educate club personnel, patrons, and other users in the proper use of the equipment.
- Do not allow children or those unfamiliar with its operation on or near the StretchTrainer. Do not leave children unsupervised around the unit.
- Do not use the StretchTrainer outdoors.
- Do not modify the StretchTrainer or any of its parts. Do not use accessory attachments that are not recommended by Precor, as such attachments may cause injuries. You should not attempt to service the StretchTrainer yourself.
- Assemble and operate the StretchTrainer on a solid, level surface. Make sure that the unit is installed with enough free space for safe operation. As a general rule, allow about a 4-foot (1 meter) circle of space from the user's center.
- Make sure that users, trainers, club personnel, and maintenance technicians understand how to use the StretchTrainer, comply with the important safety instructions, read the safety information for users, and can recognize potential problems, such as a cracked weld or worn wrist strap.
- Before using the StretchTrainer, examine it thoroughly. Make sure that all fasteners are securely tightened and the instructional placard is attached to the unit. Inspect the wrist straps for wear. Replace them if they are frayed, worn, or missing.
- If you determine that the StretchTrainer needs service, move the equipment away from the exercising area. Place an OUT OF SERVICE sign on it and make sure all patrons and users know that they must not use the StretchTrainer.
- The StretchTrainer is accompanied by a Precor Limited Warranty. To retain this limited warranty, keep your receipt, mail the warranty registration card, and follow the assembly and usage instructions. To review the limited warranty, refer to the back cover.



Safety Information for Users

To familiarize yourself with the StretchTrainer and basic stretching techniques, review the instructional placard and the following safety information.

- Before beginning any fitness program, see your physician for a complete physical examination.
- If you do not understand how to operate the equipment, ask someone from the club such as a trainer to demonstrate how to use it and explain the safety information.
- Before using the StretchTrainer, always check for loose, worn, or frayed parts. If you spot a potential problem, do not use the StretchTrainer. If it is a club unit, inform the club immediately.
- Wear comfortable exercise clothing and soft-soled shoes for your workout and avoid loose clothing. Tie long hair back.
- Always hold the handlebars while stretching. Do not attempt a stretch using only the wrist straps.
- Use the wrist straps at all times while on the StretchTrainer. The wrist straps may help reduce the risk of injury by decreasing the chance of over stretching or falling should you lose your grip on the handlebar. Refer to Diagram 1.
- Do not over stretch, force a stretch, or bounce during a stretch.
- Do not overexert yourself or try to do all the stretches shown on the instructional placard the first time you use the StretchTrainer. Start your stretching routine slowly and conservatively. With practice and increased flexibility, you can add more stretches and repetitions to your routine.
- When you have completed your stretching routine, verify that the seat is returned to the forward position.
- Do not rock the equipment. Do not stand on the handlebars, instructional placard, or the padded seat.
- Do not overexert yourself or work to exhaustion. If you feel any pain or abnormal symptoms, stop your workout immediately and consult your physician.



Obtaining Service

A club owner, facility manager, or trainer can help you with most questions regarding the StretchTrainer. For information about product operation or service, see the Precor web site at www.precor.com. Should you need more information regarding customer support numbers or a list of Precor authorized service centers, visit the Precor web site at www.precor.com/corp/contact.



Unpacking the StretchTrainer

The StretchTrainer comes equipped with everything you need to assemble it. Refer to Diagram 2. It is shipped in the following pieces:

- Seat assembly (padded seat, knee pad, bolts and washers)
- base rails (2)
- handlebar (includes wrist straps)
- instructional placard
- assembly kit
 - 3mm and 6mm hex keys
 - Two E-rings
 - Two foot rests
 - Two rear level adjustors (for the base rails)
 - Seat bumper
 - Axle
 - Alignment bracket
 - Several fasteners (bolts, washers, and nuts)
- literature kit - not shown in Diagram 2 (includes the assembly instructions and warranty card)

Carefully unpack the pieces and lay them on the floor near the location where you plan to use it. If any items are missing, contact the dealer from whom you purchased the StretchTrainer or use the Precor web site at www.precor.com to find the dealer nearest you.

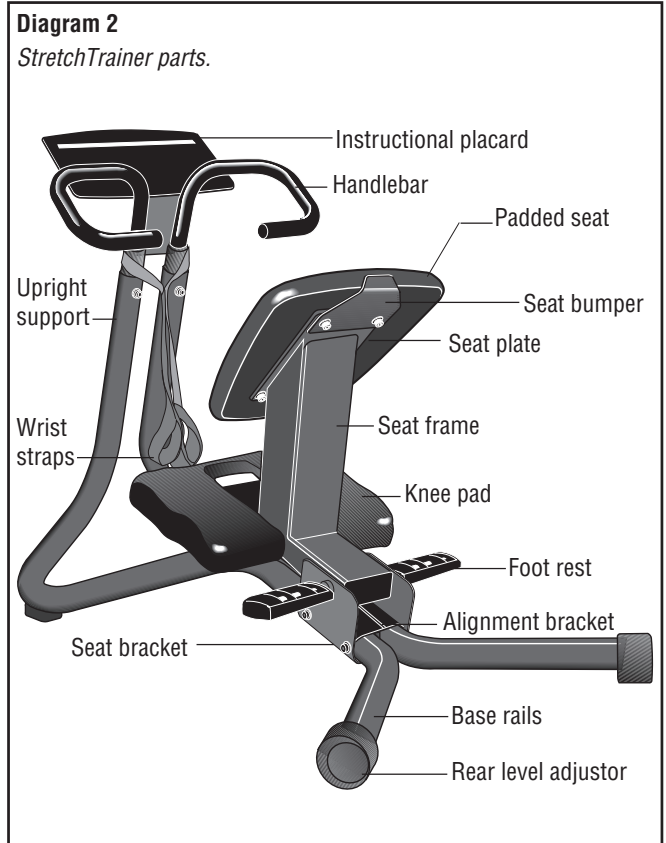
Assembly Instructions

To assist you in the assembly of the StretchTrainer, refer to Diagram 2 while performing the following steps.

Important: Assemble and operate the StretchTrainer on a solid, level surface. Also, have rags or paper towels available to set the fasteners on during assembly. Be aware that the lubrication on the fasteners can stain carpeting and clothing.

Extra tools needed: A small crescent (or open-end) wrench and needle-nose pliers.

1. **Ask for assistance in assembling the StretchTrainer.** Putting the seat assembly together and positioning it and the handlebars over the base rails is a difficult procedure for one person. Fully assembled, the StretchTrainer weighs over 60 pounds.
2. **Set the base rails on the floor.** Ask for an assistant to hold the upright supports together while you align and secure the base rails.



3. **Assemble the base rails.** Diagram 3. While your assistant holds the upright supports, slide the seat bracket under the base rails and align the mounting holes. Place the alignment bracket into position between the base rails and align the holes.

4. **Secure the base rails.** Four fasteners secure the seat bracket. A pair of fasteners with long bolts is inserted through the side (horizontally) and another pair of fasteners are inserted (vertically) through the base of the seat bracket and into the base rails. (Note that the vertical fasteners are not shown in Diagram 3.) To secure the base rails, take the following steps:

- Insert the long bolts and washers (horizontally) through the seat bracket, base rails, and alignment bracket. Diagram 3.
- Place a washer and locknut onto the ends of the bolts and finger tighten.
- Place a lock washer and washer on each of the two shorter bolts. The lock washer should be placed against the head of the bolt.
- Align the bolt holes and insert the bolts (vertically) through the seat bracket and base rails. Finger tighten the bolts.

5. **Position the handlebar over the upright supports.** Diagram 4. Slide the handlebar into place and align the bolt holes. Be sure that the wrist straps, on the handlebars, face toward the rear (seat assembly location).

6. **Insert the bolts (with washers) through the upright supports and into the handlebars.** Diagram 4. Notice that there are two bolt holes in front and two in back. Finger tighten each bolt. Do not use the hex key at this time. Loose bolts make it easier to install the seat frame.

7. **Put the seat assembly together.** Diagrams 5 and 6. The seat assembly (seat frame, padded seat, seat bumper, and knee pad) is put together before it is attached to the base rails.

8. **Start with the padded seat.** Diagram 5. Position the padded seat as shown and take the following steps:

- Align the bolt holes and make sure that the narrow end of the seat faces the crossbars.
- Place a washer on each of four 1-inch bolts.

Diagram 3

Positioning the base rails.

Alignment bracket
Base rails
Seat bracket
2 long bolts,
4 flat washers, and
2 locknuts

2 shorter bolts, 2 lock washers, and 2 flat washers are inserted through the base of the seat bracket.

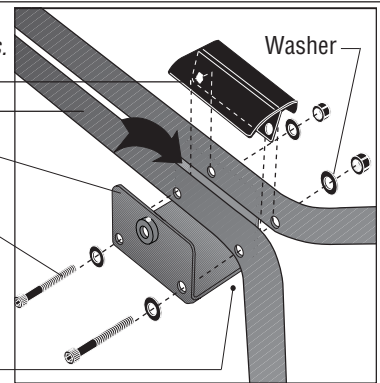


Diagram 4

Positioning the handlebar.

Wrist straps
Handlebar cap
Upright support
Bolt, lock washer,
and flat washer

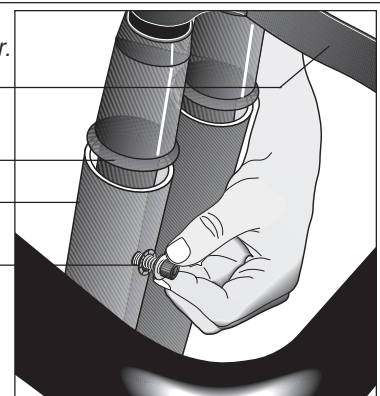
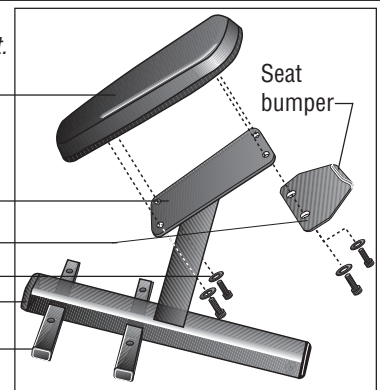


Diagram 5

Installing the padded seat.

Padded seat
Narrow end of seat plate
Seat bumper
Fasteners
Seat frame
Crossbars



- c. Align the seat bumper as shown in Diagram 5. Insert the four bolts and washers through the seat bumper, seat plate, and into the underside of the padded seat. A small space (about 1/8-inch) will exist between the seat bumper and the padded seat. To keep the padded seat aligned properly, alternately finger tighten each bolt.
- d. After making sure that the padded seat is aligned properly, securely tighten each bolt with the 6mm hex key.

9. **Properly position the knee pad.** Diagrams 6 and 7. Align the bolt holes in the knee pad with the mounting holes in the crossbars.

10. **Attach the knee pad to the crossbars.** Diagram 7. Slide a washer onto each of the four bolts. Then, place a bolt and washer on the end of the 6mm hex key and insert it through the crossbars. Thread the bolt into the underside of the knee pad. To keep the pad properly aligned, thread all four bolts and then, alternately tighten each bolt securely.

Note: It is easy to lose a bolt in the crossbars. To retrieve it, tip the seat assembly on its side and jiggle it until the bolt drops out of the hole.

11. **Install the axle.** Diagram 8. Place the seat frame into position between the seat bracket. Align the axle mounting hole. Slide the axle (located in hardware kit) through the bracket and seat frame. When the axle is halfway through, stop and place a foot rest on one end of the axle.

12. **Secure the foot rests.** Diagram 9. Take an E-ring (found in the hardware kit) and push it into position as shown in Diagram 9. Do the same for the foot rest on the other side. A notch has been cut into the axle for the E-ring to rest in.

Note: You may need to use a pliers to help push the E-ring into position.

Diagram 6
Installing the knee pad.



Diagram 7
Securing the knee pad.

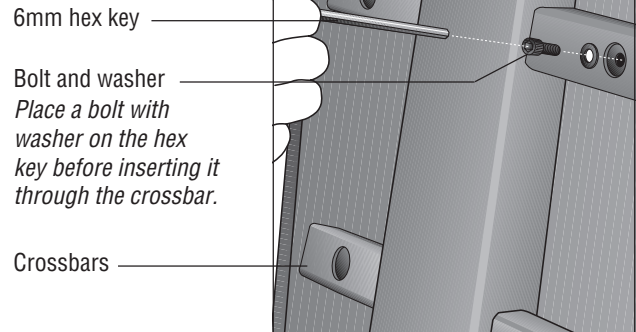


Diagram 8
Installing the axle.

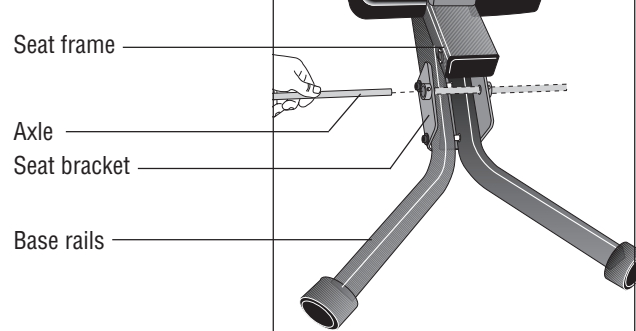
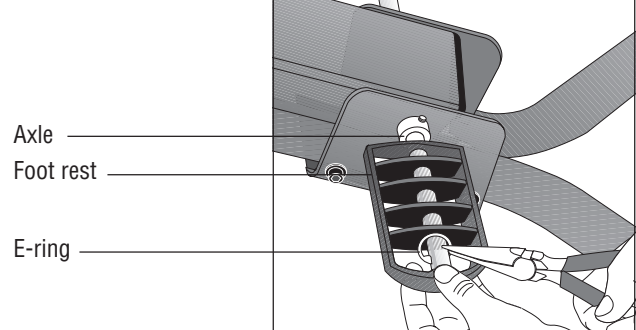


Diagram 9
Securing the foot pedals.



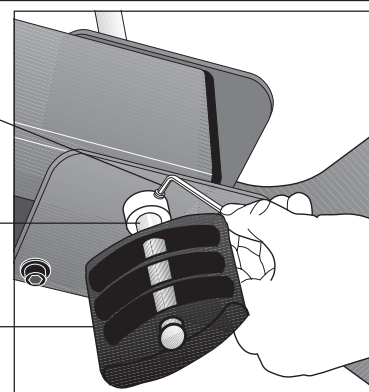
13. **Secure the axle.** Diagram 10. Make sure that the foot rests are securely fastened to the axle and the axle is centered through the seat frame. Use the 3mm hex key to tighten the two small set screws that hold the axle in position. Do not overtighten the screws.

Diagram 10
Securing the axle.

Tighten screw with
3mm hex key

Axle

Foot rest



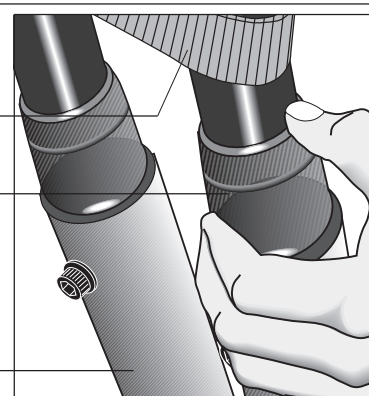
14. **Secure the handlebar.** Diagram 11. Prior to tightening the handlebar bolts, slide the handlebar caps into the upright supports. Then, securely tighten the bolts using the 6mm hex key.

Diagram 11
Sliding the handlebar
caps into place.

Wrist strap

Handlebar cap

Upright support



15. **Return to the seat bracket bolts.** Use the hex key to securely tighten the 4 seat bracket bolts. Do not tighten the bolts so severely that you compress or crack the plastic alignment bracket.

16. **Position the instructional placard onto the handlebar bracket.** Diagram 12. Remove the paper backing from the double-sided tape.

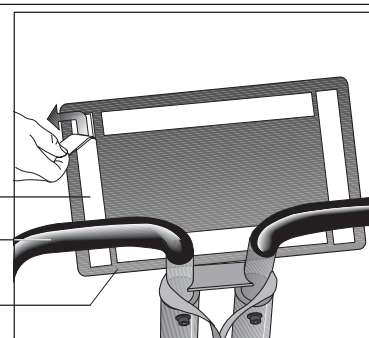
17. **Center the placard on the handlebar bracket and press firmly into place.** Diagram 13. Be sure that the placard is positioned in the center of the handlebar bracket before you press it firmly onto the double-sided tape.

Diagram 12
Exposing the adhesive
tape.

Paper backing

Handlebar

Handlebar Bracket



18. **Install the rear level adjusters.** Diagram 14. Raise the rear end of the equipment slightly off the floor and slide a rubber level adjuster onto one side of the rear base rail. Slide the other level adjuster onto the opposite base rail. Carefully lower the equipment onto the floor. Avoid pinching your fingers.

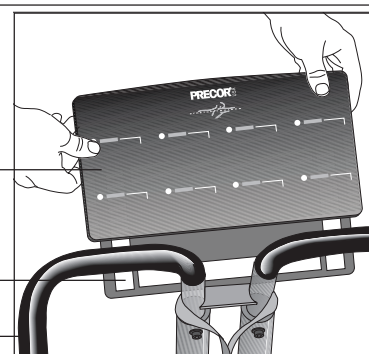
Important: If the equipment is placed on a slightly, uneven surface, rotating the rear level adjusters can help, but will not compensate for extremely uneven surfaces. The maximum height that you can compensate for using the rear level adjusters is about one quarter inch (6 mm).

Diagram 13
Attaching the placard.

Instructional placard

Adhesive double-
sided tape

Handlebar





19. **Level the equipment.** Diagram 14. Sit on the StretchTrainer as it rests on the floor. If it wobbles slightly, rotate the rear level adjustors until the equipment is stable.

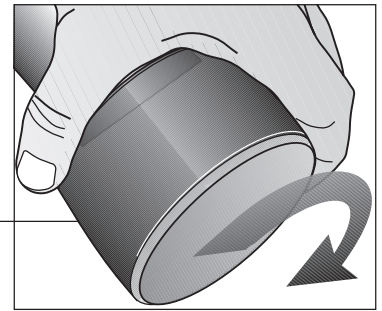
20. **You have completed the assembly process.** Use a cloth dampened with a non-abrasive degreaser to clean any parts of the equipment that may have been blackened by grease from the bolts.

21. **Review the stretching techniques.** Prior to working out, refer to the stretching guidelines on the next page and techniques highlighted on the instructional placard.

Important: Do not discard the hex keys supplied with the equipment. Maintain the integrity of the StretchTrainer by occasionally checking and tightening the fasteners. Use the hex keys to tighten any bolts that become loose.

Diagram 14
Installing the rear level adjustors.

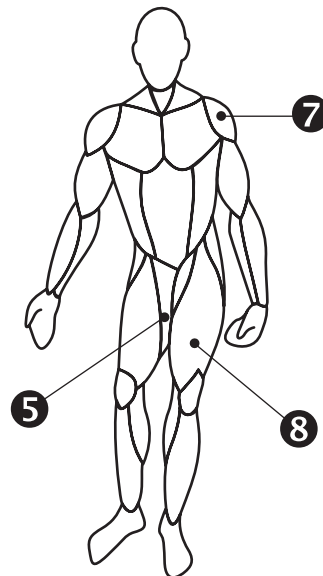
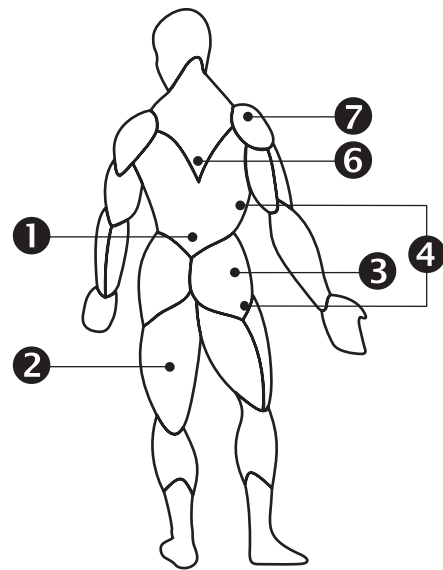
Rear level adjustor



To get the most out of each stretching routine, a general understanding of the muscle groups being used during your stretching routine is invaluable. This section provides information about the different muscle groups and also discusses general guidelines on "how to use" the StretchTrainer.

Before you begin your stretching routine, review the following guidelines.

- Always use the wrist straps during your stretching routine.
- For most stretching positions, make sure that your knees rest on the knee pads, your lower legs are parallel to the knee pads, and your feet are properly positioned in the foot pedals.
- Warm up and start slowly. Warm muscles are easier to stretch and are less prone to injury. Do three to five warm-up stretches using the techniques shown in stretch #1.
- Do not over stretch. Do not hold stretches for longer than 3 to 5 seconds. Pay attention to exactly how your body feels. The amount of movement should be determined by your comfort level. Stop when you feel tension in the muscle.
- Never bounce while stretching. The stretching routines should always be done in a controlled manner, slow and smooth movements.
- Use your abdominal and gluteal muscles to move in to and out of each stretch. Do not use your arms to pull you up.
- Do not hold your breath. Remember to relax and breathe normally while stretching. Exhale on the stretch and inhale on the return. Holding your breath increases the tension in your body which makes stretching less effective and can be harmful to your health.
- Learn how to perform each stretch correctly. Always keep your arms straight. Pay close attention to the position of each body part.



The numerical callouts on the illustration, correspond to the eight stretches on the instructional placard.

For example, the callout 1 shows the general area (just above the tailbone) which is targeted in the first stretch titled 1 Lower Back.

Commercial Equipment Limited Warranty

PLEASE READ THESE WARRANTY TERMS AND CONDITIONS CAREFULLY BEFORE USING YOUR PRECOR INCORPORATED PRODUCT. BY USING THE EQUIPMENT, YOU ARE CONSENTING TO BE BOUND BY THE FOLLOWING WARRANTY TERMS AND CONDITIONS.

Limited Warranty.

Precor Incorporated warrants all new Precor products to be free from defects in materials and manufacture for the warranty periods set forth below. The warranty periods commence on the invoice date of the original purchase. This warranty applies only against defects discovered within the warranty period and extends only to the original purchaser of the product. Parts repaired or replaced under the terms of this warranty will be warranted for the remainder of the original warranty period only. To claim under this warranty, the buyer must notify Precor or your authorized Precor dealer within 30 days after the date of discovery of any nonconformity and make the affected product available for inspection by Precor or its service representative. Precor's obligations under this warranty are limited as set forth below.

Warranty Periods and Coverage.

Commercial Cardiovascular Products, also known as C-Series Products, (excluding StretchTrainer, Strength Products).

- Seven years frame, five years display face assembly, three years motor controller, one year durable wear parts, two years parts, one year labor.
- For treadmills, five years drive motor.
- For self-powered ellipticals and bikes, one year battery.
- For InSite, one year parts and labor.
- Labor coverage for options as defined below.

StretchTrainer

Five years frame, two years parts, 90 days upholstery, no labor.

Strength Products (S3.45 and S3.25 only)

Ten years frame; three years bearings, guide rods, cams, pulleys; one year belts, cables, hand grips, miscellaneous parts; 90 days upholstery; no labor.

Options / Accessories / Battery-powered or Self-Operated Devices

Many options or accessories have components that are connected internally or mounted inside the electronic console. The following guidelines determine the warranty for these components. If the internal components are installed by the factory or by an authorized dealer as part of the original sale and delivery, they have a warranty that is identical to the warranty of the equipment in which they are connected or mounted. If the internal components are not installed by the factory or by an authorized dealer as part of the original sale and delivery, they have a 90 days parts and labor limited warranty. All components that are not internally connected have a 90 days parts only limited warranty. Satisfactory proof of purchase is required in all cases.

Conditions and Restrictions.

This warranty is valid only in accordance with the conditions set forth below:

1. The warranty applies to the Precor product only while
 - a. it remains in the possession of the original purchaser and proof of purchase is demonstrated,
 - b. it has not been subjected to accident, misuse, abuse, improper service, or non-Precor modification.
 - c. claims are made within the warranty period.
2. Certain products are warranted for standard commercial use only (defined as use in non-fee paying clubs or facilities and less than 6 hours daily use. Unapproved use voids the warranty. Current standard commercial products include C936i, C932i, EFX524i, EFX534i.).
3. This warranty does not cover damage or equipment failure caused by electrical wiring not in compliance with electrical codes or Precor owner's manual specifications, or failure to provide reasonable and necessary maintenance as outlined in the owner's manual.
4. Except in Canada, Precor does not pay labor outside the United States.
5. Warranties outside the United States and Canada may vary. Please contact your local Dealer for details.

This Limited Warranty shall not apply to:

1. Software (PROM) version upgrades.
2. Normal wear and tear, consumables and cosmetic items, including, but not limited to the following: grips, seats, and labels.
3. Repairs performed on Precor equipment missing a serial number or with a serial tag that has been altered or defaced.
4. Service calls to correct installation of the equipment or instruct owners on how to use the equipment.

Complete this portion and keep for your records.

Purchased From: _____ Example: Dealer or store name.

Phone Number: _____ Example: Dealer or store telephone number.

Product/model: _____ Example: EFX534i or C966i

Serial number: _____

The serial number is found on the shipping container.

5. Pickup and delivery involved with repairs.
6. Any labor costs incurred beyond the applicable labor warranty period.

Disclaimer and Release.

The warranties provided herein are the exclusive warranties given by Precor and supersede any prior, contrary or additional representations, whether oral or written. ANY IMPLIED WARRANTIES, INCLUDING THE WARRANTY OF MERCHANTABILITY OR FITNESS FOR A PARTICULAR PURPOSE THAT APPLY TO ANY PARTS DESCRIBED ABOVE ARE LIMITED IN DURATION TO THE PERIODS OF EXPRESS WARRANTIES GIVEN ABOVE FOR THOSE SAME PARTS. PRECOR HEREBY DISCLAIMS AND EXCLUDES THOSE WARRANTIES THEREAFTER. Some States do not allow limitations on how long an implied warranty lasts, so the above limitation may not apply to you. PRECOR ALSO HEREBY DISCLAIMS AND EXCLUDES ALL OTHER OBLIGATIONS OR LIABILITIES, EXPRESS OR IMPLIED, ARISING BY LAW OR OTHERWISE, WITH RESPECT TO ANY NONCONFORMANCE OR DEFECT IN ANY PRODUCT, INCLUDING BUT NOT LIMITED TO: (A) ANY OBLIGATION, LIABILITY, RIGHT, CLAIM OR REMEDY IN TORT, WHETHER OR NOT ARISING FROM THE NEGLIGENCE OF PRECOR OR ITS SUPPLIERS (WHETHER ACTIVE, PASSIVE OR IMPUTED); AND (B) ANY OBLIGATION, LIABILITY, RIGHT, CLAIM OR REMEDY FOR LOSS OF OR DAMAGE TO ANY EQUIPMENT. This disclaimer and release shall apply even if the express warranty set forth above fails of its essential purpose.

Exclusive Remedies.

For any product described above that fails to conform to its warranty, Precor will provide, at their option, one of the following: (1) repair; (2) replacement; or (3) refund of the purchase price. Precor Limited Warranty service may be obtained by contacting the authorized dealer from whom you purchased the item. Precor compensates Servicers for warranty trips within their normal service area to repair commercial equipment at the customer's location. You may be charged a trip charge outside the service area. THESE SHALL BE THE SOLE AND EXCLUSIVE REMEDIES OF THE BUYER FOR ANY BREACH OF WARRANTY.

EXCLUSION OF CONSEQUENTIAL AND INCIDENTAL DAMAGES.

PRECOR AND/OR ITS SUPPLIERS SHALL HAVE NO OBLIGATION OR LIABILITY, WHETHER ARISING IN CONTRACT (INCLUDING WARRANTY), TORT (INCLUDING ACTIVE, PASSIVE, OR IMPUTED NEGLIGENCE AND STRICT LIABILITY), OR OTHERWISE, FOR DAMAGE TO THE EQUIPMENT, PROPERTY DAMAGE, LOSS OF USE, REVENUE OR PROFIT, COST OF CAPITAL, COST OF SUBSTITUTE EQUIPMENT, ADDITIONAL COSTS INCURRED BY BUYER (BY WAY OF CORRECTION OR OTHERWISE) OR ANY OTHER INCIDENTAL, SPECIAL, INDIRECT, OR CONSEQUENTIAL DAMAGES, WHETHER RESULTING FROM NONDELIVERY OR FROM THE USE, MISUSE OR INABILITY TO USE THE PRODUCT. This exclusion applies even if the above warranty fails of its essential purposes and regardless of whether such damages are sought for breach of warranty, breach of contract, negligence, or strict liability in tort or under any other legal theory. Some states do not allow the exclusion or limitation of incidental or consequential damages, so the above limitation may not apply to you.

This warranty gives you specific legal rights, and you may also have other rights, which vary from state to state.

Effective 27 March, 2006
P/N 36286-112

Thank You and Welcome to Precor

PRECOR[®]_{USA}
move beyond[®]

To allow us to serve you better, please take a few moments to complete and return your warranty registration.

YOU MAY ALSO REGISTER ONLINE AT

www.precor.com/warranty

If you have questions or need additional information, contact your local dealer or call Precor Customer Support at 800-347-4404.

RET:

PRECOR[®]_{USA}
Precor Incorporated
20031 142nd Avenue NE
PO Box 7202
Woodinville, WA 98072-4002

PLACE
STAMP
HERE

TELL US ABOUT YOUR NEW PRECOR PRODUCT

Date of Purchase: _____
 Month Day Year

Product Serial Number: _____
 The serial number is located on the shipping box and on the product.

Purchased from: _____
 Dealer Name

Please indicate the type of product purchased:

- | | |
|---|--|
| <input type="checkbox"/> Elliptical Fitness CrossTrainer (EFX®) | <input type="checkbox"/> StretchTrainer™ |
| <input type="checkbox"/> Treadmill | <input type="checkbox"/> Cycle |
| <input type="checkbox"/> Strength Training System | <input type="checkbox"/> Stair Climber |

TELL US ABOUT YOU

Mr.
 Mrs.
 Ms.

First Name Middle Initial Last Name

Street Address Apt./Suite:

City State Zip Code

Area Code Telephone

Your Email Address

- | | | | | |
|---------------------------------|---|-----------------------------------|--|--|
| Gender: | Marital status: | Age: | Annual household income: | What are your fitness goals? |
| <input type="checkbox"/> Male | <input type="checkbox"/> Married | <input type="checkbox"/> Under 18 | <input type="checkbox"/> Under \$50,000 | <input type="checkbox"/> Weight loss/management |
| <input type="checkbox"/> Female | <input type="checkbox"/> Divorced | <input type="checkbox"/> 18-24 | <input type="checkbox"/> \$51,000-75,000 | <input type="checkbox"/> Muscle tone enhancement |
| | <input type="checkbox"/> Widowed | <input type="checkbox"/> 25-34 | <input type="checkbox"/> \$76,000-100,000 | <input type="checkbox"/> Cardiovascular improvement |
| | <input type="checkbox"/> Never been married | <input type="checkbox"/> 35-44 | <input type="checkbox"/> \$101,000-150,000 | <input type="checkbox"/> Overall health |
| | | <input type="checkbox"/> 45-54 | <input type="checkbox"/> \$151,000+ | <input type="checkbox"/> Increase energy and flexibility |
| | | <input type="checkbox"/> 55-64 | | <input type="checkbox"/> Stress reduction |
| | | <input type="checkbox"/> 65+ | | <input type="checkbox"/> Rehabilitation |
| | | | | <input type="checkbox"/> Other |

TELL US ABOUT YOUR PURCHASE

Purchase (check all that apply):

- First Precor product
- Replaces a Precor product of the same type
- Replaces same type of product – different brand
- Addition to equipment currently owned

What factors MOST influenced your decision to purchase your Precor product (choose up to three):

- Precor reputation
- Prior use of Precor product(s)
- Design/appearance
- Value for the price
- Special product features
- Rebate or sale price
- Quality/durability
- Warranty
- Physician recommendation

How did you FIRST become aware of Precor products (choose only one):

- A gift
- Friend/relative
- Physician
- Fitness club
- Internet
- News report or product review
- Magazine advertisement or article
- Print advertisement
- In-store display or demonstration
- Other

Please detach and mail in the warranty registration within ten days of purchase.

C240 StretchTrainer

Product Specifications

Length: 52 inches (132 cm)

Width: 28 inches (71 cm)

Height: 36 inches (91 cm)

Weight: 75 lbs (34 kg)

Shipping weight: 90 lbs (41 kg)

PRECOR[®]USA

Precor Incorporated
20031 142nd Avenue NE
P.O. Box 7202
Woodinville, WA USA 98072-4002
1-800-347-4404

Precor, C, StretchTrainer, CrossRamp, EFX, M, Move
Beyond, and SmartRate are registered trademarks of
Precor Incorporated.
CrossTrainer and QuickStart are trademarks of Precor
Incorporated.
Copyright 2007 Precor Incorporated.
Specifications subject to change without notice.
www.precor.com

C240 Lit Kit# 38866-111
OM# 38875-109
Warranty Registration Card # 45622-101
Commercial Warranty Statement # 36286-112
15 April 2007

NOTICE:

Precor is widely recognized for its innovative, award winning designs of exercise equipment. Precor aggressively seeks U.S. and foreign patents for both the mechanical construction and the visual aspects of its product design. Any party contemplating the use of Precor's product designs is hereby forewarned that Precor considers the unauthorized appropriation of its proprietary rights to be a very serious matter. Precor will vigorously pursue all unauthorized appropriation of its proprietary rights.