



9/5/2002

VISIT THE LIFETIME WEB SITE:
WWW.LIFETIME.COM

****U.S. and Canada customers ONLY****

IF ASSISTANCE IS NEEDED,

DO NOT CONTACT THE STORE!!!

CALL OUR CUSTOMER SERVICE DEPARTMENT at **1 (800) 225-3865**

HOURS: 7:00 a.m. to 5:00 p.m. Monday through Friday, 7:00 a.m. to 4:00 p.m. Saturday (Mountain Standard Time)

For customers outside the U.S. or Canada, please contact the store for assistance.

WORLD CLASS[®] ACTION GRIP[™] BASKETBALL SYSTEM

MODEL #71793

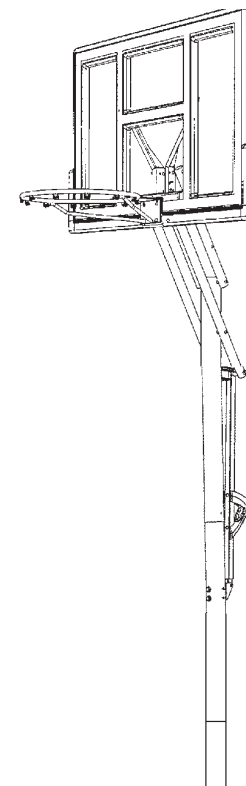


WARNING

Failure to comply with any of the warnings in these instructions may result in serious personal injuries such as cuts, broken bones, nerve damage, paralysis, brain injury, or death. Failure to comply may also result in property damage. Please heed all warnings and cautions. To ensure your safety, do not attempt to assemble this system without reading and following **all** instructions carefully. Identify and inventory the parts using the Parts List.

ASSEMBLY INSTRUCTIONS
AND OWNER'S MANUAL

***A MINIMUM OF TWO ADULTS
ARE REQUIRED FOR
ASSEMBLY***



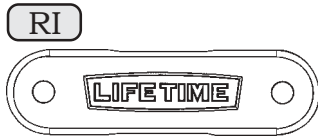
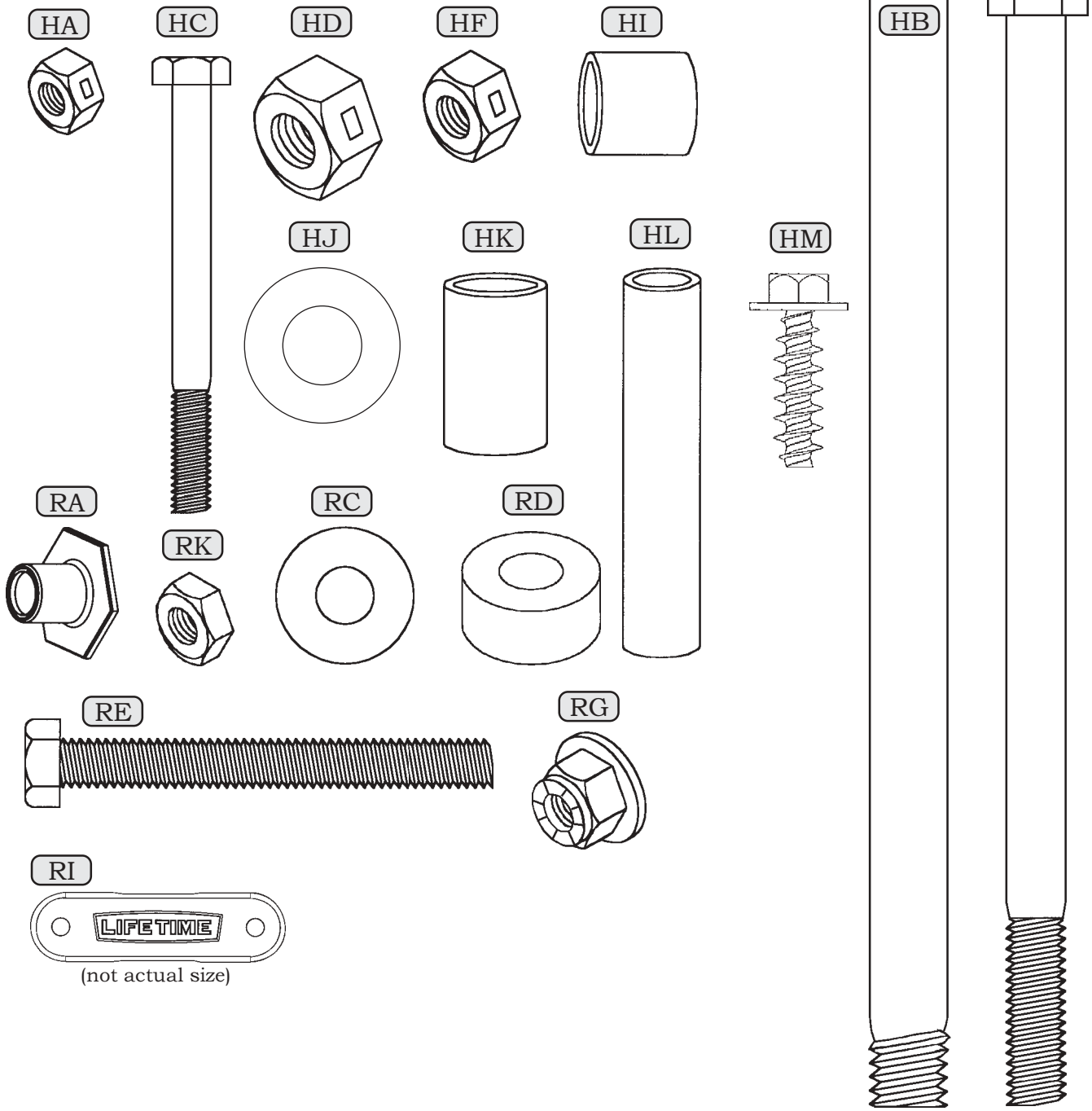
Save this instruction in the event that the manufacturer has to be contacted for replacement parts.

PARTS LIST

ID	Part #	Description	Qty	✓
TP	830081	Top Pole	1	<input type="checkbox"/>
MP	800707	Middle Pole	1	<input type="checkbox"/>
BP	830181	Bottom Pole	1	<input type="checkbox"/>
RB	850163	Left Backboard Bracket	1	<input type="checkbox"/>
LB	850162	Right Backboard Bracket	1	<input type="checkbox"/>
AZ	ZJ04299	Backboard	1	<input type="checkbox"/>
AA	500096	Pole Cap	1	<input type="checkbox"/>
AB	502005	Net	1	<input type="checkbox"/>
AD	504068	Counterbalance Spring	2	<input type="checkbox"/>
	F028011	Warning Sticker (Applied)	1	<input type="checkbox"/>
AI	F028010	Height Sticker	1	<input type="checkbox"/>
AJ	825601	Rim	1	<input type="checkbox"/>
AK	830204	Short Extension Arm	2	<input type="checkbox"/>
AL	830205	Long Extension Arm	2	<input type="checkbox"/>
AE	700506	Wood Block	1	<input type="checkbox"/>
AF	AM01500	Rim Support Bracket	1	<input type="checkbox"/>
Main Hardware (HH01700C)				
HA	300022	1/4" Centerlock Nut	2	<input type="checkbox"/>
HB	300029	1/2" x 7 1/8" Hex Bolt	5	<input type="checkbox"/>
HC	300110	1/4" x 2 3/4" Hex Bolt	2	<input type="checkbox"/>
HD	301008	1/2" Centerlock Nut	5	<input type="checkbox"/>
HE	302005	3/8" x 7" Hex Bolt	1	<input type="checkbox"/>
HF	302008	3/8" Centerlock Nut	1	<input type="checkbox"/>
HI	500013	9/16" x .592" Poly Spacer	4	<input type="checkbox"/>
HJ	500032	1/2" x 1/8" Spacer	4	<input type="checkbox"/>
HK	500037	1/2" x 1" Poly Spacer	2	<input type="checkbox"/>
HL	800324	1/2" x 2 5/16" Metal Spacer	2	<input type="checkbox"/>
HM	BS00800	5/16" x 1" Screw	2	<input type="checkbox"/>
Rim Hardware (HH01900B)				
RA	300066	5/16" Hex T-Nut	2	<input type="checkbox"/>
RK	300128	5/16" Jam Nut	2	<input type="checkbox"/>
RC	302014	5/16" Flat Washer	2	<input type="checkbox"/>
RD	302056	Rubber Washer	2	<input type="checkbox"/>
RE	302067	5/16" x 2 3/4" Tap Bolt	2	<input type="checkbox"/>
RF	302081	5 1/2" U-Bolt	1	<input type="checkbox"/>
RG	302090	5/16" Nylock Flange Nut	4	<input type="checkbox"/>
RJ	502060	Compression Spring	2	<input type="checkbox"/>
RI	804033	Spring Retainer Plate	1	<input type="checkbox"/>

HARDWARE IS ACTUAL SIZE

(unless otherwise indicated)



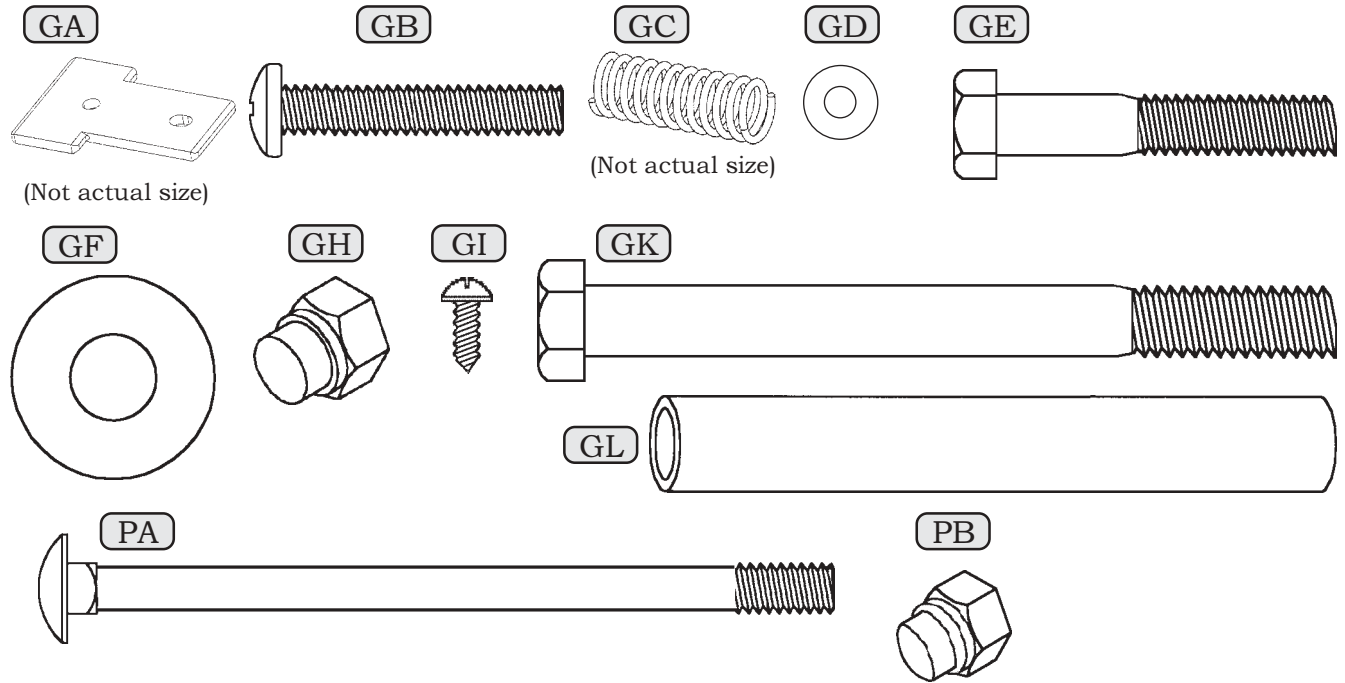
(not actual size)

PARTS LIST

ID	Part #	Description	Qty	✓
AN	A040031	Inner Channel	1	<input type="checkbox"/>
AO	Z097015	Outer Tube	1	<input type="checkbox"/>
AP	C050018	Channel Stop	1	<input type="checkbox"/>
AQ	Z097017	Pole Bracket	1	<input type="checkbox"/>
AR	C050019	Handle	1	<input type="checkbox"/>
AS	C050017	Trigger	1	<input type="checkbox"/>
Action Grip™ Hardware (HH01300)				
GA	A070044	Lock Tab	1	<input type="checkbox"/>
GB	B070040	1/4-20 x 1 1/2" Screw	2	<input type="checkbox"/>
GC	B080015	Trigger Spring	1	<input type="checkbox"/>
GD	BW00100	#6 Flat Washer	2	<input type="checkbox"/>
GE	300027	5/16" x 1 3/4" Hex Bolt	1	<input type="checkbox"/>
GF	300031	3/8" Flat Washer	2	<input type="checkbox"/>
GH	300095	5/16" Cap Nut	1	<input type="checkbox"/>
GI	300103	#6 x 3/8" Phillips Screw	2	<input type="checkbox"/>
HF	302008	3/8" Centerlock Nut	2	<input type="checkbox"/>
GK	302053	3/8" x 4" Hex Bolt	2	<input type="checkbox"/>
GL	800239	1/2" x 3 7/16" Spacer	2	<input type="checkbox"/>
Pole Joint Hardware (HD9139)				
PA	300121	1/4" x 4" Carriage Bolt	2	<input type="checkbox"/>
PB	300127	1/4" Cap Nut	2	<input type="checkbox"/>

HARDWARE IS ACTUAL SIZE

(unless otherwise indicated)



Tools and Materials Required For Assembly (Not Included)

- | | |
|-----------------------|---------------------------------------|
| 1. Adjustable Wrench | 9. Water Supply |
| 2. 7/16" Wrenches (2) | 10. Concrete mix
(six 90-lb. bags) |
| 3. 1/2" Wrenches (2) | 11. Phillips Screwdriver |
| 4. 9/16" Wrenches (2) | 12. Shovel |
| 5. 3/4" Wrenches (2) | 13. Marker |
| 6. 3/8" Wrench | 14. 3' Length of Rebar |
| 7. Hammer or Mallet | 15. Carpenter's Level |
| 8. Tape Measure | |



BEFORE BEGINNING ASSEMBLY



- Identify and inventory all parts using the Parts List. Keep the hardware bags and their contents separate. If any parts are missing, call our Customer Service Department.
- Test fit all Bolts by inserting them into their respective holes. If necessary, carefully scrape away any excess powder coating buildup from inside the holes. Do not scrape away all of the powder coating. Bare metal may rust. You may need to pound some Bolts into place with a hammer.
- Purchase six 90-lb bags of concrete ready-mix and a 3' length of rebar. Choose the location of your pole carefully! Avoid putting the pole near overhead power or utility lines. When digging the footing, consider the location of any underground utilities.



SAFETY INSTRUCTIONS



Failure to follow these safety instructions may result in serious injury or property damage and will void the warranty. *The owner must ensure that all players know and follow these rules for safe operation of the system.* Proper and complete assembly, use and supervision is essential for proper operation and to reduce the risk of accident or injury. A high probability of serious injury exists if this system is not installed, maintained, or operated properly.

- If using a ladder during assembly, use extreme caution. Follow all warnings and cautions on the ladder carefully.
- Two people are required for assembly.
- Before digging, contact the appropriate agency to locate underground power, gas and/or water lines. Do not install the system within 20 feet of overhead power lines.
- Seat the pole sections properly. Failure to do so could allow the pole sections to separate during play and/or transport of the system.
- Climate, corrosion, or misuse could result in system failure.
- If technical assistance is required, contact the manufacturer.
- Minimum operational height is 7' 6" to the Rim.

Most injuries are caused by misuse and/or failure to follow instructions. Use caution when using the system.

POLE SECTION IDENTIFICATION

Identify the pole sections before beginning assembly. Failure to assemble the pole sections correctly may result in severe personal injury or property damage as described on Page One.

ONCE THE POLE SECTIONS HAVE BEEN SEATED, THEY CANNOT BE SEPARATED.

Note: Tapers and flares are exaggerated in the illustrations.



TP

Top Pole:
Four holes at the top of the pole and two square holes at the bottom.



MP

Middle Pole:
Two slots at the top of the pole, four holes in the middle and two square holes at the bottom.
Warning Sticker.



BP

Bottom Pole:
Two slots at the top of the pole, dimples at the bottom.

Required For This Page:

9/16" Wrenches

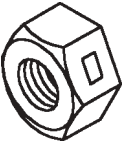


HH01300

GK (2)



HF (2)



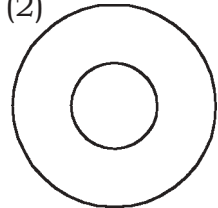
GL

(2)



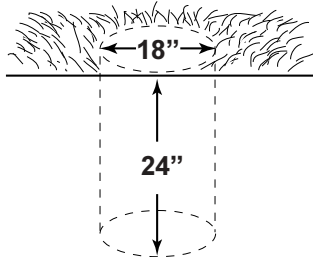
GF

(2)



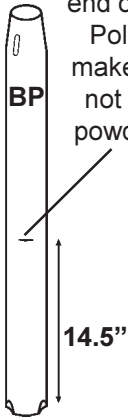
1 *The Ground Sleeve provides an alternative to cementing the pole into the ground permanently. See Page 11 for more information.*

Dig a round hole 24" deep and 18" in diameter. The edge of the hole should be flush with the edge of the playing surface.



2

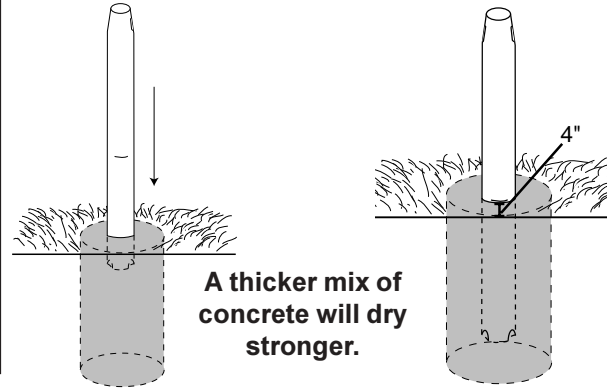
Measure 14.5" up from the dimpled end of the Bottom Pole (BP) and make a mark (do not scratch the powder coating).



3 Mix 5 1/2 bags of concrete. *Save 1/2 bag of concrete to use later in the assembly.*

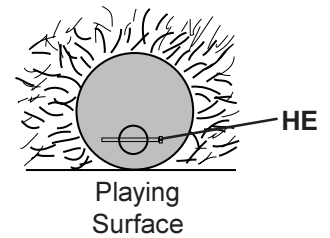
Fill the hole with concrete.

Insert the Bottom Pole up to the 14.5" mark and 4" away from the playing surface.



4

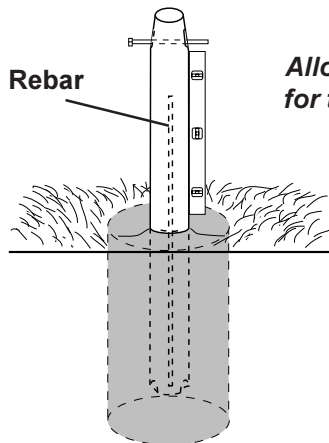
Insert a 3/8" x 7" Hex Bolt (HE) into the slots in the pole and rotate the pole so the Hex Bolt is parallel to the playing surface.



5 Form the cement so it slopes away from the pole to allow water runoff. **Failure to do so may result in premature rusting of the pole.**

Place the 1/2" x 3' rebar (not included) inside the Bottom Pole (BP).

Check the pole several times within the first hour to make sure that all sides are vertical and that the pole does not sink into the concrete. The 14.5" mark must remain level with the playing surface.

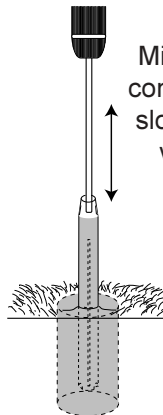


Allow 1-4 hours for the concrete to set.

6

Do not continue until the concrete has set for 1 to 4 hours.

Remove the Hex Bolt from the top of the pole.



Mix the remaining 1/2 bag of concrete and pour the concrete into the Bottom Pole until it is just below the slots in the top of the pole. Tamp the concrete down with a broom handle to remove any air pockets.

Do not overfill the pole or you may not be able to assemble the rest of the pole sections.

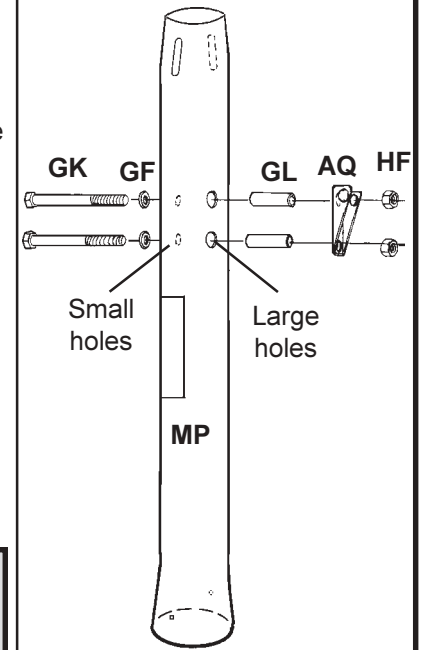
Clean all excess concrete off the outside surface of the pole.

Allow the concrete to set for at least 72 hours (3 days) before continuing with the assembly.

STOP!

The concrete must cure for **at least 72 hours (3 days)** before installing the rest of the system. In humid climates or wet weather, allow additional time for the concrete to cure. Do not proceed until the curing process is complete.

7



Completely tighten the Nuts.

Required For This Page: HH01700C

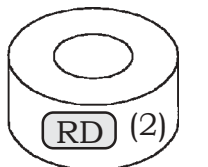
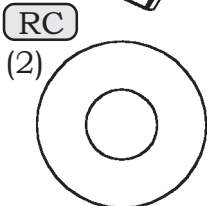
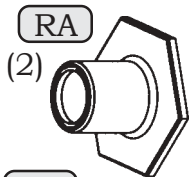
7/16" Wrenches



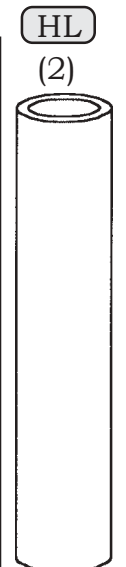
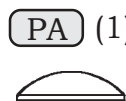
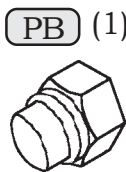
1/2" Wrenches



HH01900B



HD9139



8 Do not jam the poles together until instructed.

Make sure the square portion of the Bolt is completely inside the square hole.

Square holes

TP

MP

AE

PB PA

Secure only finger tight now.

9A Strike the pole on the Wood Block (AE) 5 to 6 times on each end.

MP

TP

AE

Do not hit your feet with the pole, as serious injury could occur.

WARNING

Failure to seat the pole sections together and secure the Carriage Bolts could cause the pole sections to separate, resulting in property damage or personal injuries as listed on Page One.

9B Measure from the top of the Top Pole to the bottom of the Middle Pole. **It must measure 83 5/8" or less.** If it measures longer than 83 5/8", strike it again on the wood. If it is still too long, **do not complete assembly.** Call our Customer Service Department.

Completely tighten the Cap Nut installed in Step 8. 83 5/8"

TP

MP

WARNING

Do not overtighten the Cap Nut. If the end of the Bolt breaks through the plastic cap, call our Customer Service Department at the number on Page One. Exposed threads on the end of the Bolt may cause serious injuries such as those listed on Page One.

10

LB

RB

RF

HA

11 Make sure the U-Bolt is in the notches.

LB

RB

HA

HC

HL

Completely tighten the Nuts (HA).

12

RE

RC

RD

RA

The Tap Bolts (RE) should be at the outer edge of the holes.

Tighten the T-Nuts (RA) only until the Rubber Washers (RD) begin to bulge.

Required For This Page:

1/2" Wrenches



3/8" Wrench

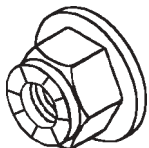


HH01900B

RK (2)



RG (4)



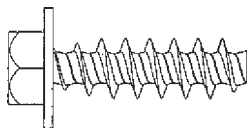
RI
(1)

(not
actual
size)



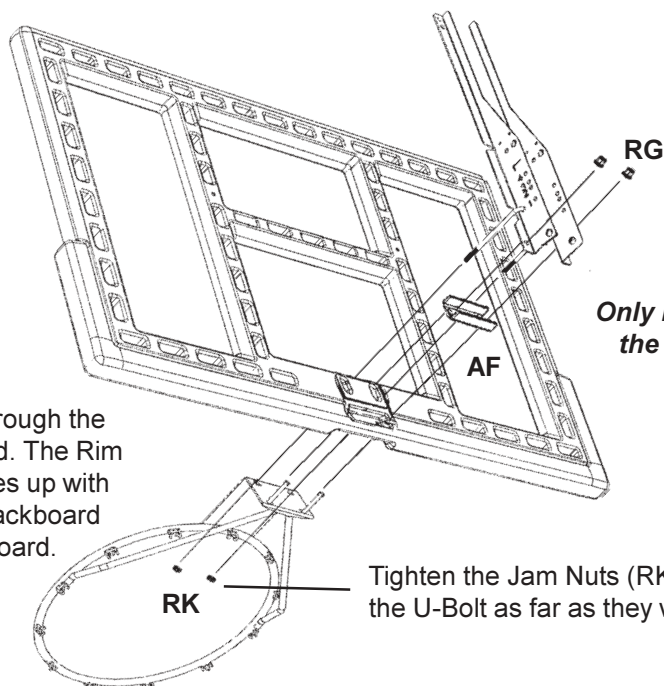
HH01700C

HM (2)



13

Lay the Backboard on a bench or table.

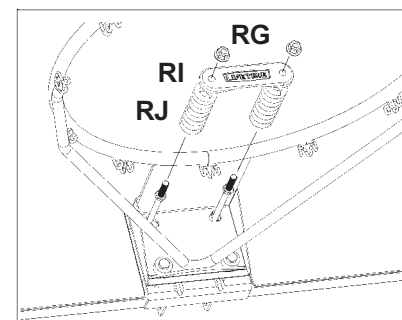


The U-Bolt (RF) goes through the top holes in the Backboard. The Rim Support Bracket (AF) lines up with the lower holes in the Backboard Brackets and Backboard.

Only hand tighten the Nuts (RG).

Tighten the Jam Nuts (RK) onto the U-Bolt as far as they will go.

14

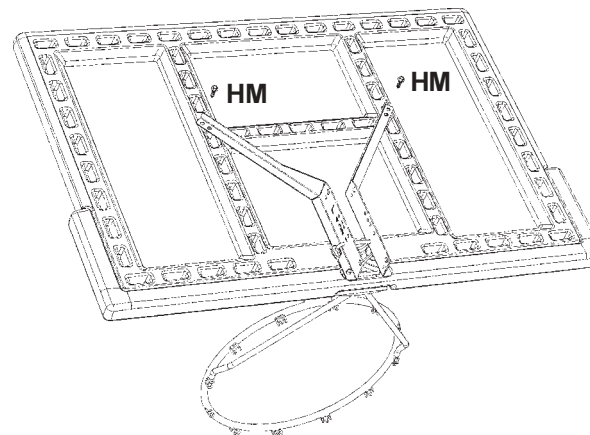
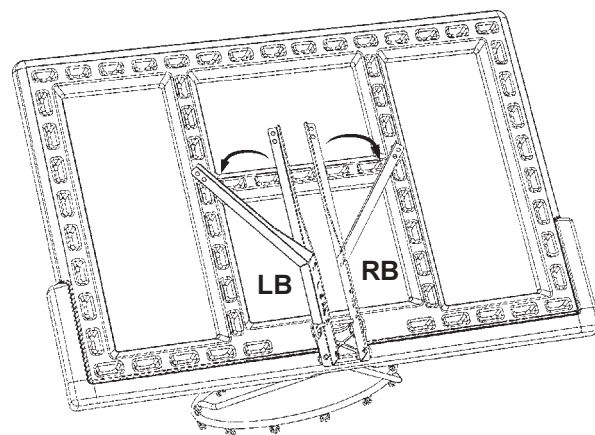


Only hand tighten the Nuts (RG) now.

Tightening these Nuts later will adjust the Rim tension.

15

Bend the Backboard Brackets (LB & RB) out.



Use a 3/8" wrench to attach the Screws (HM) through the top holes in the Backboard Brackets and into the Backboard.

Completely tighten all Rim hardware.

Required For This Page:

3/4" Wrenches

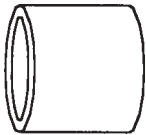


Screwdriver

HH01700C

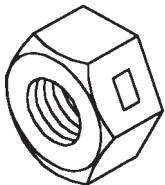
HI

(4)



HD

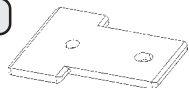
(2)



HH01300

GA

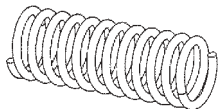
(1)



(Not actual size)

GC

(1)



(Not actual size)

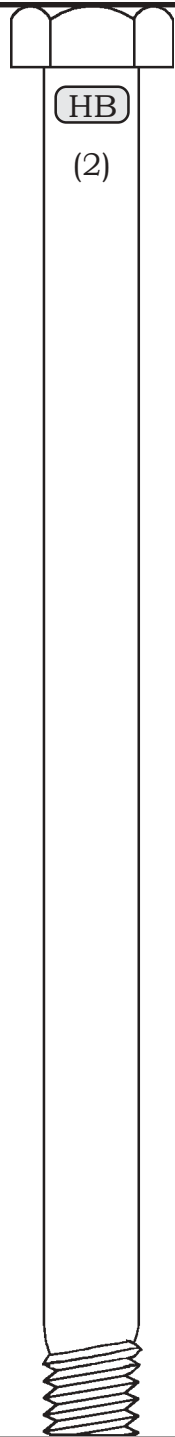
GD

(2)

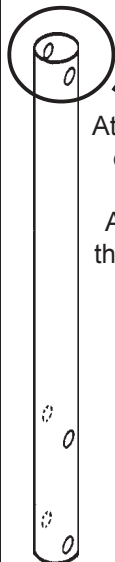


GI

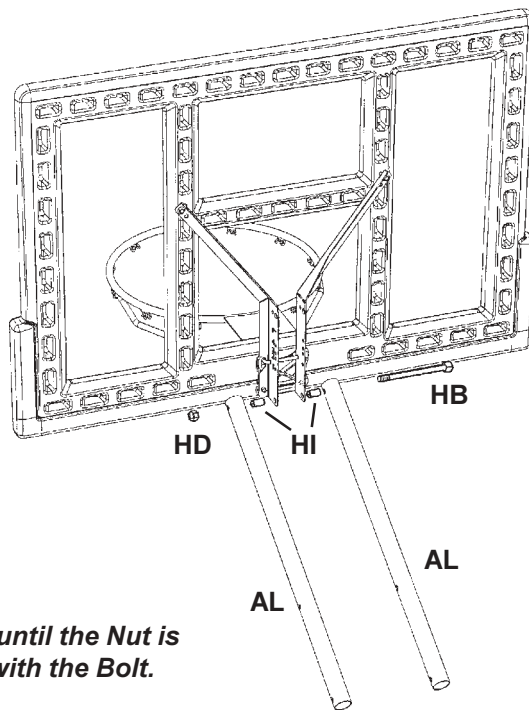
(2)



16

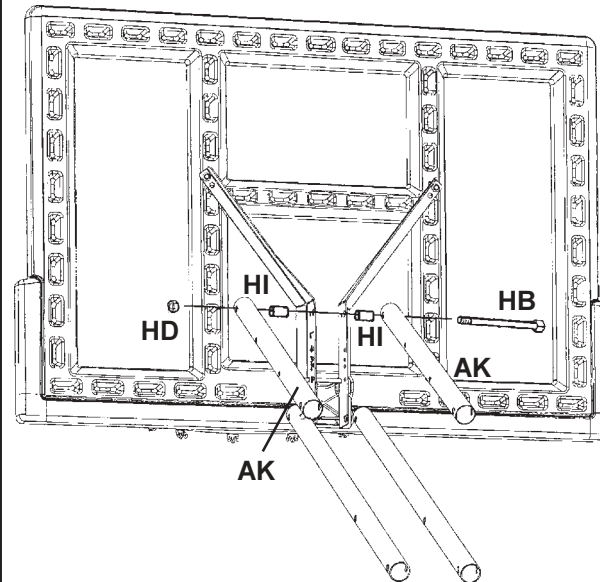


Attach this end of the Long Extension Arms (AL) to the Backboard Brackets



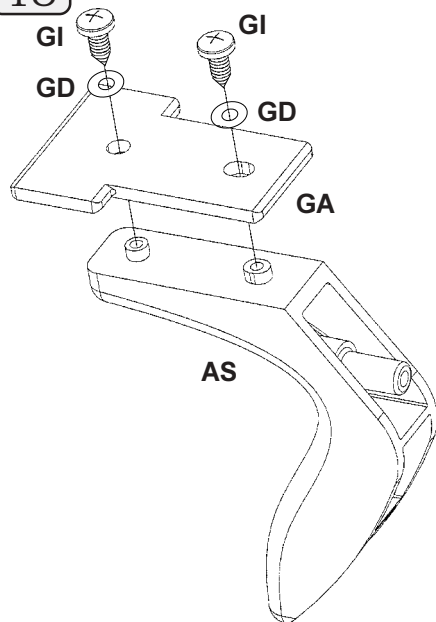
Tighten until the Nut is flush with the Bolt.

17

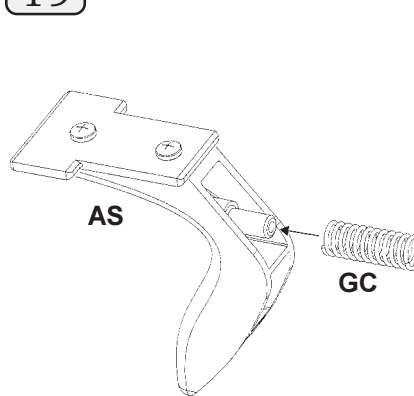


Tighten the Nut until it is flush with the Bolt.

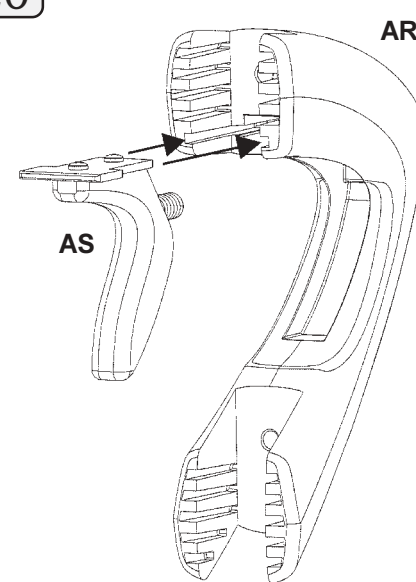
18



19



20



Required For This Page:

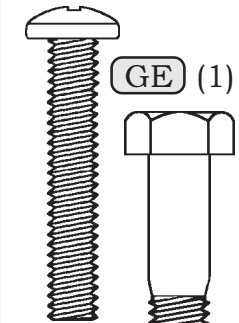
3/4" Wrenches

1/2" Wrenches

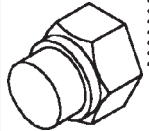
Screwdriver

HH01300

GB (2)



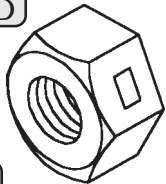
GH (1)



HH01700C

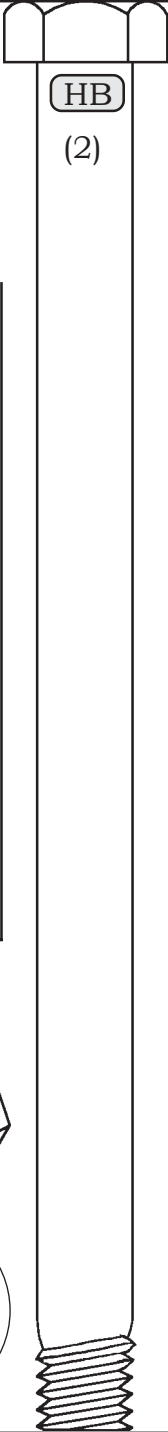
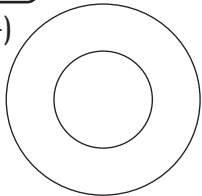
HD

(2)

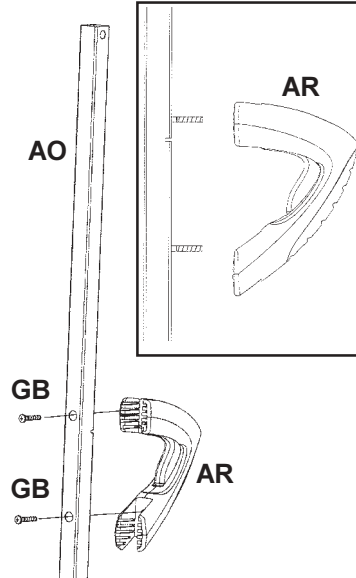


HJ

(4)

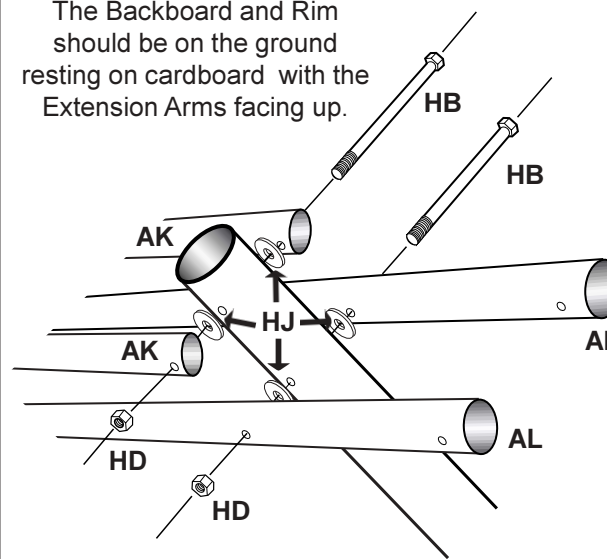


21 Remove the Inner Channel that is packaged inside the Outer Tube (AO) before attaching the Handle (AR).

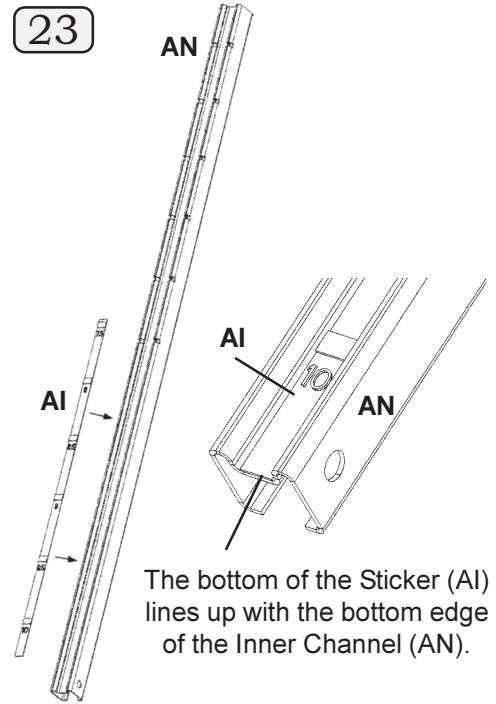


22 ****2 Adults Required For This Step****

The Backboard and Rim should be on the ground resting on cardboard with the Extension Arms facing up.

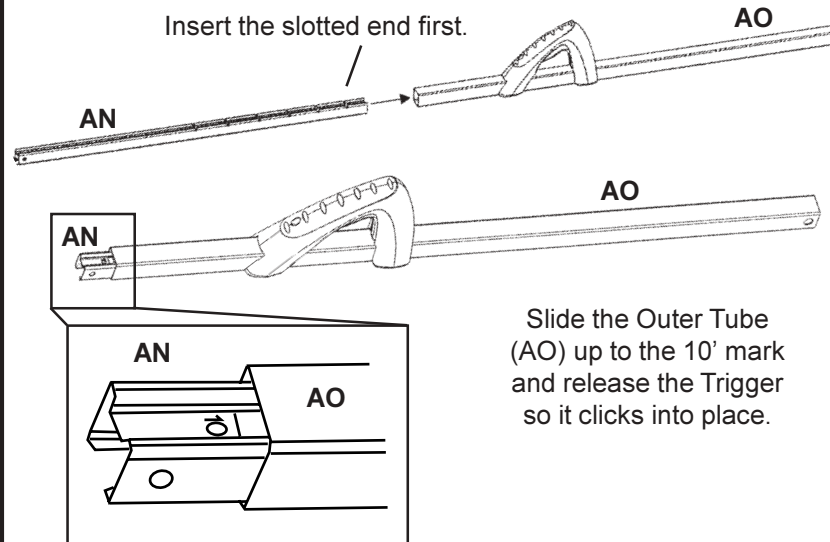


The Backboard must be on the opposite side of the pole as the Pole Bracket.



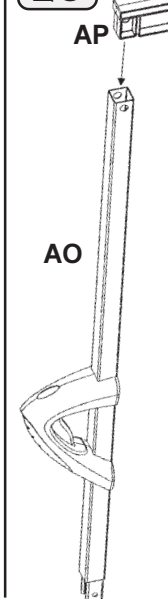
The bottom of the Sticker (AI) lines up with the bottom edge of the Inner Channel (AN).

24 *Squeeze the Trigger while inserting the Inner Channel into the Outer Tube.*



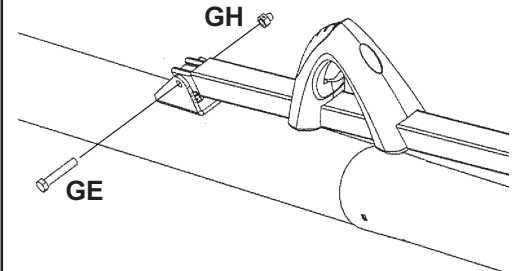
Slide the Outer Tube (AO) up to the 10' mark and release the Trigger so it clicks into place.

25



26

Tighten the Nut securely.



WARNING
Do not overtighten the Cap Nut. If the end of the Bolt breaks through the plastic cap, call our Customer Service Department at the number on Page One. Exposed threads on the end of the Bolt may cause serious injuries such as those listed on Page One.

Required For This Page:

3/4" Wrenches



9/16" Wrenches

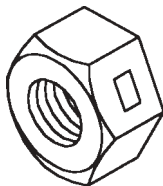


HH01700C

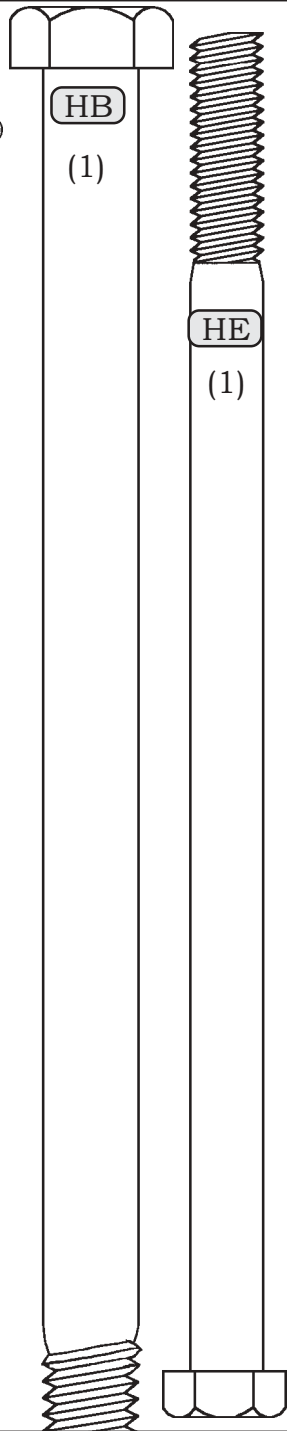
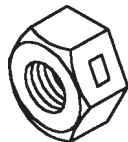
HK (2)



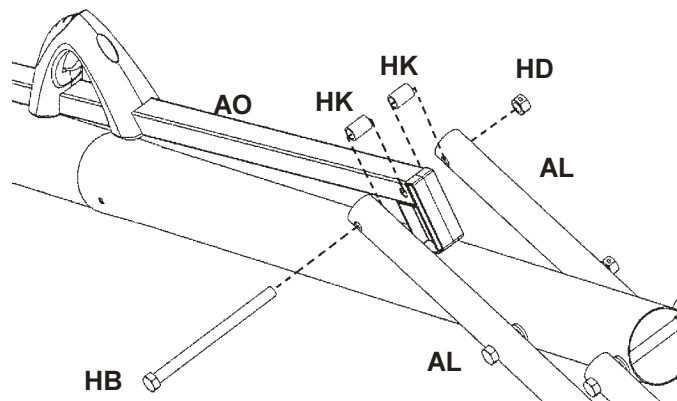
HD (1)



HF (1)



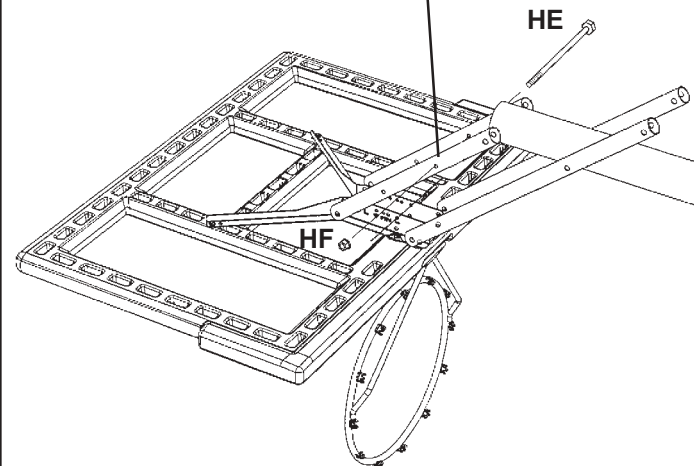
27 **2 People Required For This Step**



Completely tighten the Nut.

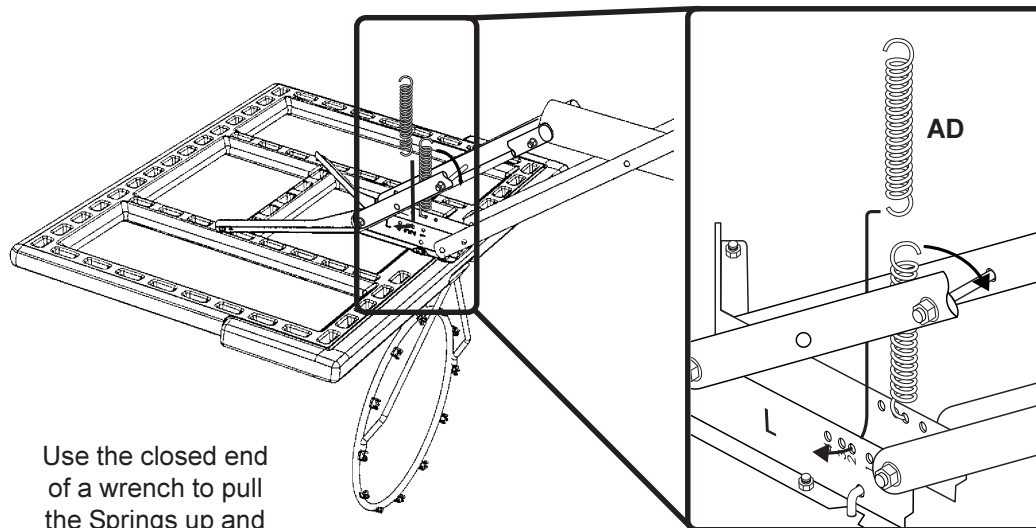
28 Use the holes closest to the pole.

Remove the plastic film from the Backboard.



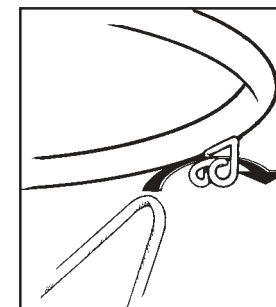
Tighten all Nuts securely now.

29 Hook the Springs (AD) into the #2 holes in the Backboard Brackets.



Use the closed end of a wrench to pull the Springs up and over the Bolt.

30 Attach the Net.



Please call our Customer Service Department at the number on Page One to obtain replacement Nets. Our Nets are shorter than average to reduce the risk of entanglement.

Required For This Page:

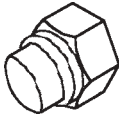
7/16" Wrench



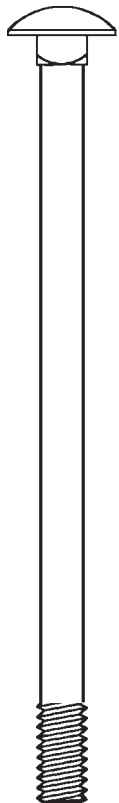
Hammer/Mallet

HD9139

(PB) (1)



(PA) (1)

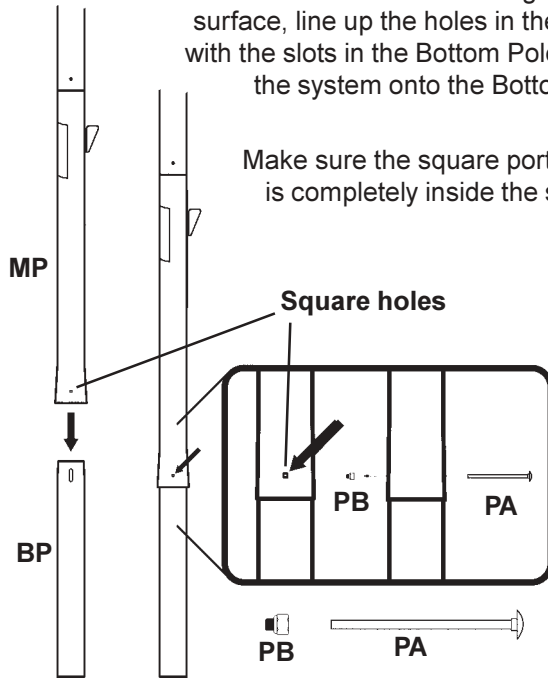


31

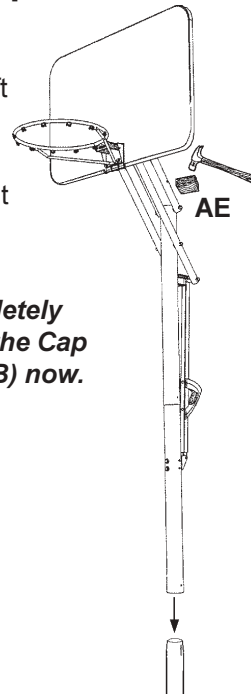
****2 People Required For This Step****

With the Backboard facing the playing surface, line up the holes in the Middle Pole with the slots in the Bottom Pole. Carefully lift the system onto the Bottom Pole.

Make sure the square portion of the Bolt is completely inside the square hole.



Completely tighten the Cap Nuts (PB) now.



Place the Wood Block (AE) on the Top Pole and strike it firmly with a hammer or mallet six or seven times.

Insert the Pole Cap (AA) into the top of the pole.



WARNING



Failure to seat the pole sections together and secure the Carriage Bolts could cause the pole sections to separate, resulting in severe personal injuries such as broken bones, cuts, nerve, spinal cord or brain injury, or death. Property damage may also occur.



WARNING



Do not overtighten the Cap Nut. If the end of the Bolt breaks through the plastic cap, call our Customer Service Department at the number on Page One. Exposed threads on the end of the Bolt may cause serious injuries such as those listed on Page One.

Operation of the height adjustment system

The adjustable system may be adjusted from 7 1/2 feet to 10 feet in 6-inch increments. Hold the Handle tightly and squeeze the Trigger. Raise the Handle to lower the Backboard, or lower the Handle to raise the Backboard.

Accessories available for more basketball fun!

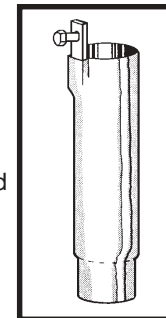
PRODUCT DESCRIPTION
Universal Ground Sleeve

MODEL #
0023

For price and freight information call our Customer Service Department.

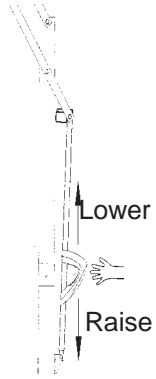
Universal Ground Sleeve #0023

The Universal Ground Sleeve enables the pole to be cemented in, yet still removable. The sleeve sits flush with the ground after installation. Fits 3.5" diameter poles.



To place orders, use a Master Card or Visa and call our Customer Service Department:
LIFETIME PRODUCTS, INC.
P.O. BOX 16010
BLDG. D-11, FREEPORT CENTER
CLEARFIELD, UT 84016-0010
1-800-225-3865

ADJUSTING SYSTEM HEIGHT



TO RAISE: Grip handle and pull trigger, then slide the handle down. (SEE ILLUSTRATION)

TO LOWER: Grip handle and pull trigger, then slide the handle up. (SEE ILLUSTRATION)

CAUTION
WATCH FOR
PINCH
POINTS



CUSTOMER SERVICE

(USA/CANADA ONLY)

1-800-225-3865

LIFETIME

#F028011



WARNING

- Failure to comply with these warnings could result in broken bones, cuts, nerve damage, spinal cord or brain injury, or death.
 - Keep hands away from all moving parts while raising or lowering the rim.
 - **DO NOT HANG FROM ANY PART OF THE UNIT, including the backboard, support braces, rim, or net.**
 - **DO NOT** allow children to adjust the unit.
 - **DO NOT** slide, climb, or play on the pole.
 - Keep organic material away from the pole base. Grass, litter, etc. could cause corrosion and/or deterioration.
 - Check pole system twice a year for signs of corrosion (rust, pitting, chipping) and repaint with exterior enamel paint. If rust has penetrated through the pole or any component, replace damaged parts immediately.
 - Check the unit before each use for stability.
 - Inspect unit before each use for loose hardware, excessive wear and signs of corrosion. Repair before use.
 - Use caution when performing dunk-type activities on this unit.
 - All players must wear a mouth guard while playing close to the net. During play, use extreme caution to keep each player's face away from the backboard, rim and net.
 - Never play on damaged equipment.
 - **DO NOT** wear jewelry (rings, watches, necklaces, etc.) while using the system. Serious personal injury may occur if jewelry is caught on rim or net.
- OWNERS MUST ENSURE THAT ALL PLAYERS KNOW AND FOLLOW THESE RULES FOR SAFE OPERATION OF THIS UNIT.**

POLE CARE AND SYSTEM MAINTENANCE

The life of your basketball system depends on many variables. The climate, exposure to corrosives such as salt, pesticides, or herbicides, and excessive use or misuse can all contribute to pole failure, which may cause property damage or personal injury.

Check your basketball system frequently for loose hardware, excessive wear, and signs of corrosion. For safety reasons, and to prolong the life of your basketball system, you **must** take the following preventive measures.

- a. Check all Nuts and Bolts. If any are loose, tighten them.
- b. Check all parts for excessive wear and tear. If necessary, replace any parts that have been worn or damaged through usage. Check the Pole Cap for cracks or tears that could let water into the pole. Contact our Customer Service Department for replacement parts.
- c. Inspect the Warning Sticker on the pole. If it is ripped, faded, or illegible, call our Customer Service Department to request a replacement Sticker.
- d. Check all pole sections for visible rust or chipped or cracked paint. If either are present, do the following:
 1. Use an emery cloth to completely remove any rust or chipped paint.
 2. Clean the area with a damp cloth and allow it to dry.
 3. Apply two coats of a rust preventative, high gloss enamel paint to the area. Allow the paint to dry between coats.

IF RUST HAS PENETRATED THROUGH THE POLE ANYWHERE, REPLACE IT IMMEDIATELY!



Basketball Equipment 5-Year Limited Factory Warranty



Lifetime Products, Inc. reserves the right to make substitutions to warranty claims if parts are unavailable or obsolete.

1. Lifetime basketball systems are warranted to the original purchaser to be free from defects in material and workmanship for a period of five years from the date of original retail purchase. The word "defects" is defined as imperfections that impair the use of the product. Defects resulting from misuse, abuse or negligence will void this warranty. This warranty does not cover defects due to improper installation, alteration or accident. This warranty does not cover damage caused by vandalism, rusting, "acts of nature" or any other event beyond the control of the manufacturer.
2. This warranty is nontransferable and is expressly limited to the repair or replacement of defective basketball equipment. If the equipment is defective within the terms of this warranty, Lifetime Products, Inc. will repair or replace defective parts at no cost to the purchaser. Shipping charges to and from the factory are not covered and are the responsibility of the purchaser. Labor charges and related expenses for removal, installation or replacement of the basketball system or its components are not covered under this warranty.
3. This warranty does not cover scratching or scuffing of the product that may result from normal usage. In addition, defects resulting from intentional damage, negligence, unreasonable use or hanging from the net or rim will void this warranty.
4. Liability for incidental or consequential damages is excluded to the extent permitted by law. While every attempt is made to embody the highest degree of safety in all equipment, freedom from injury cannot be guaranteed. The user assumes all risk of injury resulting from the use of this product. All merchandise is sold on this condition, and no representative of the company may waive or change this policy.
5. This product is not intended for institutional or commercial use; Lifetime Products, Inc. does not assume any liability for such use. Institutional or commercial use will void the warranty.
6. This warranty is expressly in lieu of all other warranties, expressed or implied, including warranties of merchantability or fitness for use. Neither Lifetime Products, Inc., nor any representative assumes any other liability in connection with this product.

ALL WARRANTY CLAIMS MUST BE ACCOMPANIED BY A SALES RECEIPT.

REPORT PRODUCT DEFECTS IN WRITING TO:

Lifetime Products, Inc., PO Box 160010, Bldg. D-11, Clearfield, UT 84016-0010 or call (800) 225-3865, M-F 8 a.m. to 5 p.m. MST.

Please include your dated sales receipt and photographs of damaged parts.

**TO REGISTER YOUR PRODUCT, VISIT OUR WEBSITE AT
WWW.LIFETIME.COM**



To register your product, visit our website at

www.lifetime.com

©2002 Lifetime Products
PO Box 160010
Freeport Center, Bldg. D-11
Clearfield, UT 84016-0010 USA