

## Model 890481

### ! SAFETY INSTRUCTIONS !

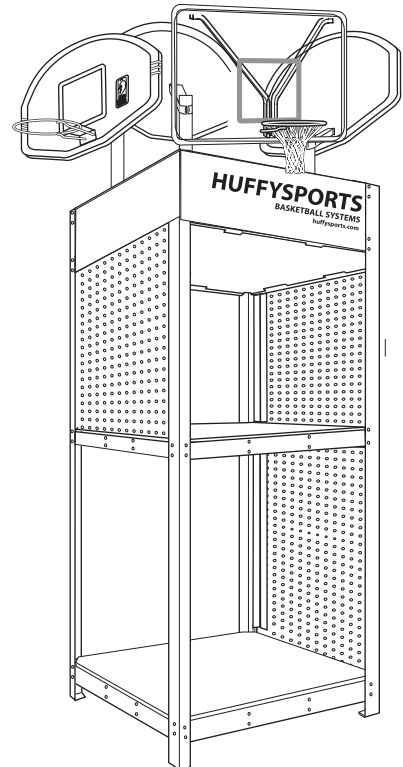
**FAILURE TO FOLLOW THESE SAFETY INSTRUCTIONS MAY RESULT IN SERIOUS INJURY, PROPERTY DAMAGE AND WILL VOID WARRANTY.**  
*This unit is intended for display purposes only and should not be used for play.*

To ensure safety, do not attempt to assemble this system without following the instructions carefully. Check entire box and inside all packing material for parts. Before beginning assembly, read the instructions and identify parts in this document. Proper and complete assembly, use and supervision is essential for proper operation and to reduce the risk of accident or injury. A high probability of serious injury exists if this system is not installed, maintained, and operated properly.

- During assembly, if using a ladder use extreme caution. Two people are recommended for this operation.
- If technical assistance is required, contact Huffy Sports' Sample and Display Technician.
- Serious injury could occur if teeth/face come in contact with backboard, net or rim.
- Display recommended for 3" (7.6 cm) or 3-1/2" (9 cm) Round or 4" (10 cm) Square poles only.
- All instructions and warnings MUST accompany any display item that is sold.

*Most injuries are caused by misuse and/or not following instructions.*

*Use caution when installing this unit.*



#### **REQUIRED TOOLS AND MATERIALS:**

- Wrenches: (Two each) 7/16", 1/2", 9/16", and 3/4" or Pliers
- 3/16" Allen Wrench
- Step Ladder, 8 ft. (2.4 m)

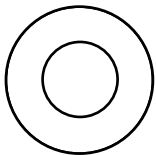
### **IMPORTANT!**

To ensure prompt and correct handling of any problems, or to answer any questions, please contact the Sample and Display Technician: at 1-800-558-5234.

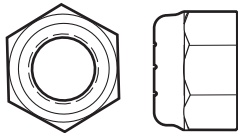
**PARTS LIST - See Hardware Identifier**

<b><u>Item</u></b>	<b><u>Qty.</u></b>	<b><u>Part No.</u></b>	<b><u>Description</u></b>
1	1	20176001	P.O.P. Sign
2	12	200892	Plastic Push Clips
3	20	201763	Bolt, Carriage, 3/8-16 x 6.5 Long
4	20	203232	Washer, Flat 3/8
5	20	202460	Saddle Clamp
6	20	203063	Lock Nut, 3/8-16
7	5	901097	Extension Arm, 3.5" Diameter
8	5	900897	3.5" Pole Section
9	10	201611	Bolt, Hex Flange, 5/16-18 x 3 Long
10	20	203218	Washer, Flat, 5/16
11	10	203100	Nut, Hex Flange 5/16-18
12	5	207103	Pole Cap for 3.5" Pole Section
13	5	200NET	Spider Net

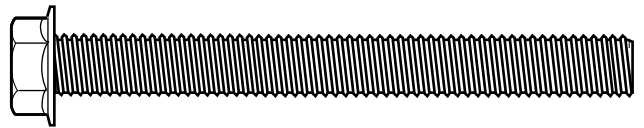
**HARDWARE IDENTIFIER**



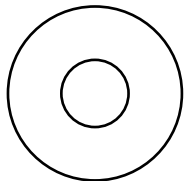
**Item #4 (20)**



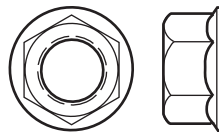
**Item #6 (20)**



**Item #9 (10)**

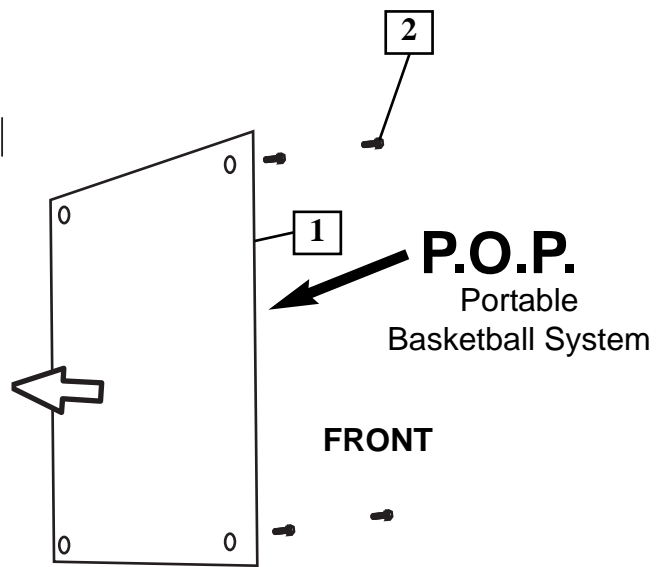
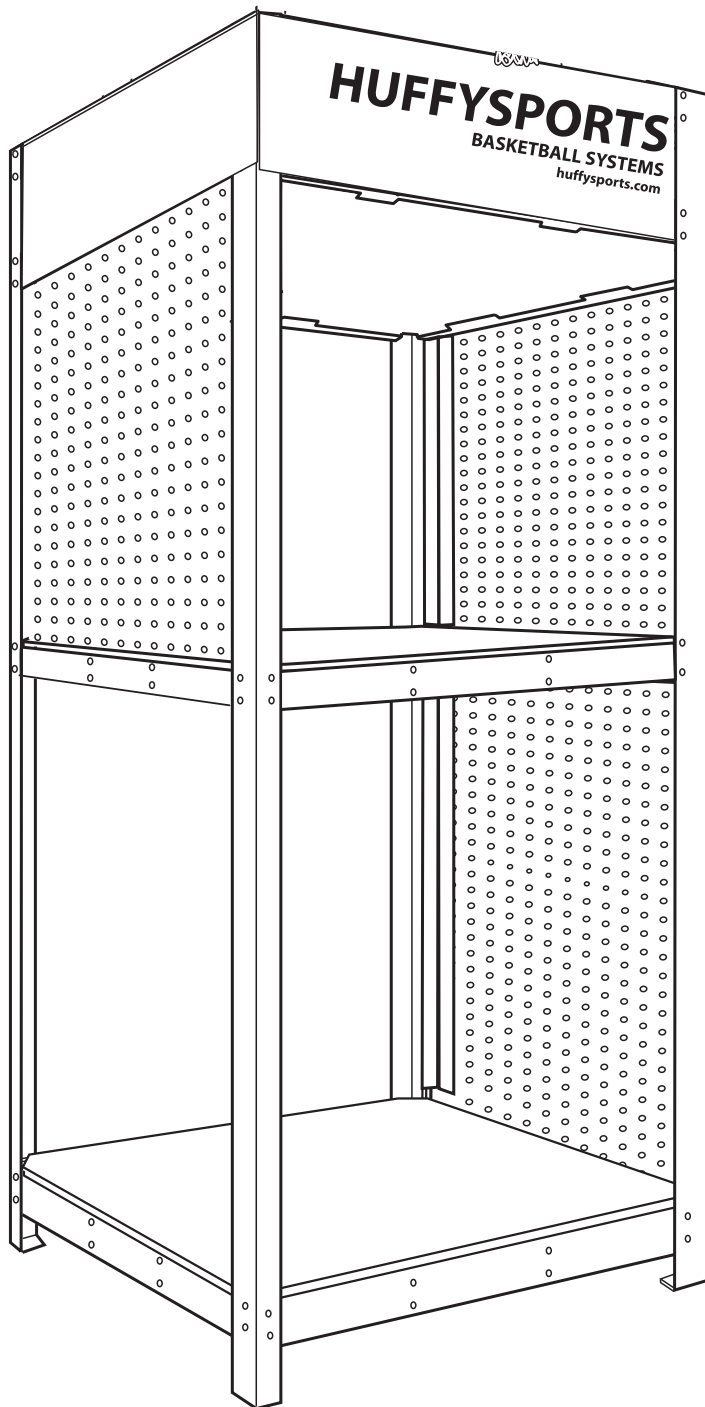


**Item #10 (20)**



**Item #11 (10)**

1.

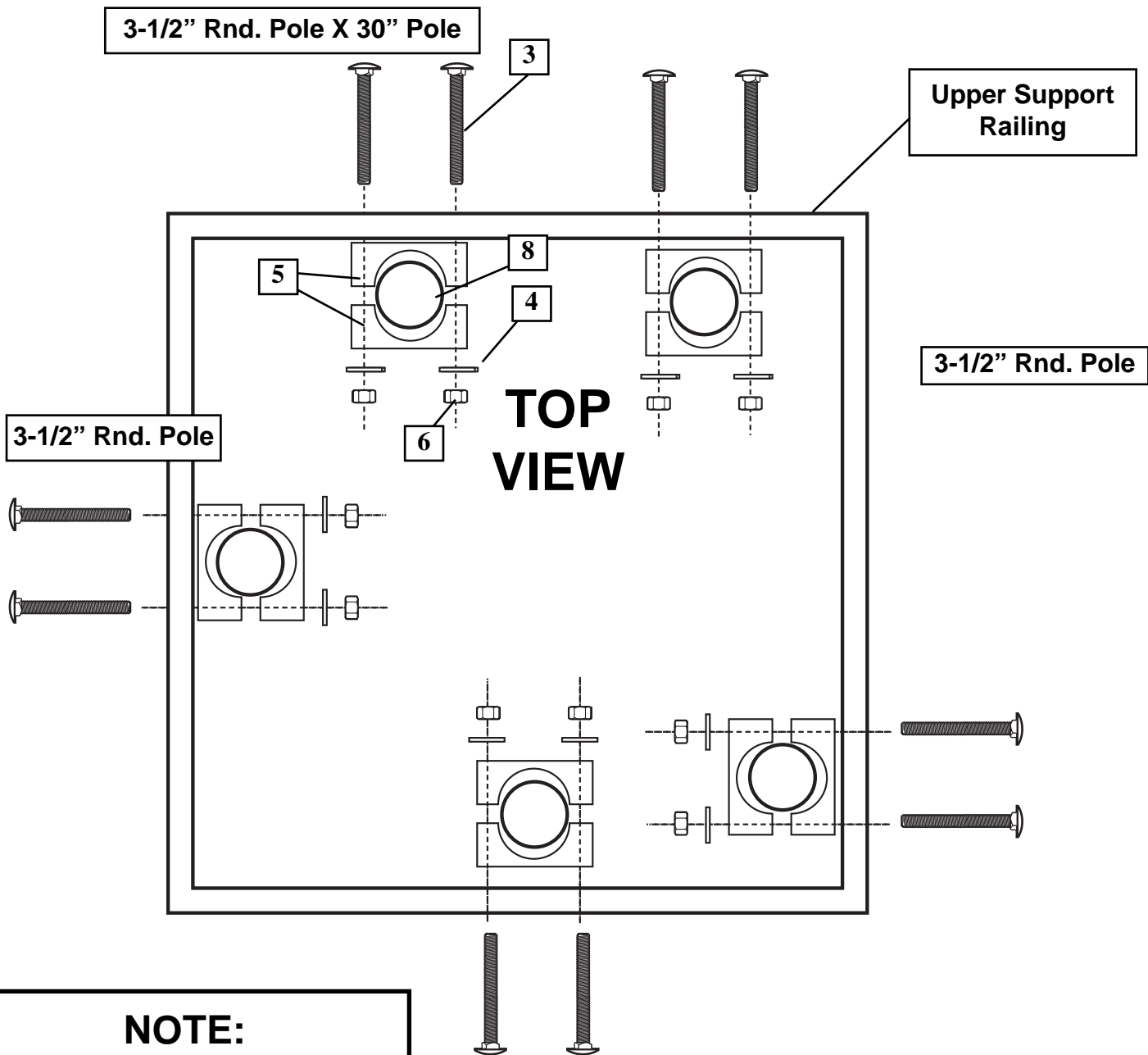


2.

Install pegboard panels onto corresponding side support railings. Attach P.O.P. sign (1) to lower peg board with plastic push clips (2) so that it faces aisle as shown.

- 3.** Install enclosed pole mounting hardware and pole for each assembly.

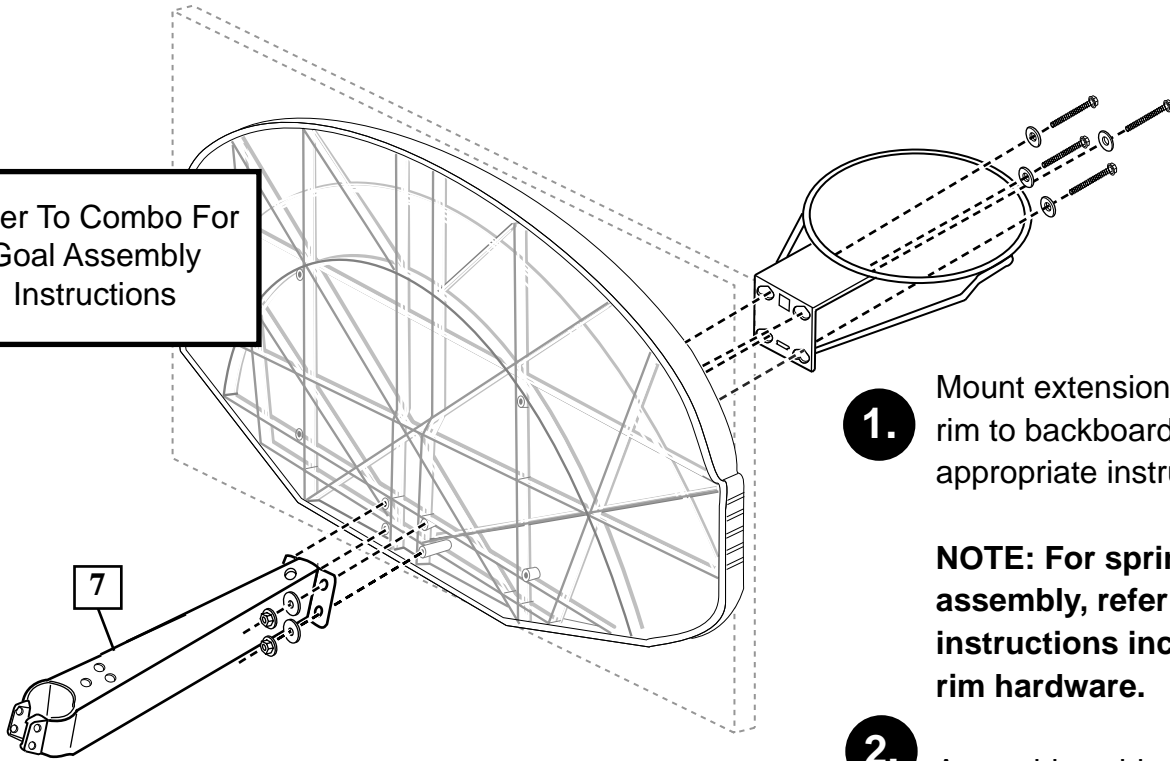
**⚠ WARNING**  
 TWO PEOPLE ARE NECESSARY TO MOUNT THE ELEVATOR ASSEMBLY TO THE POLE. ONE PERSON SHOULD NOT ATTEMPT TO DO THIS ALONE.



**NOTE:**  
 Enclosed Are Two Sets Of  
 Brackets + Hardware For  
 (Each) Pole Installation

## Pole Locations

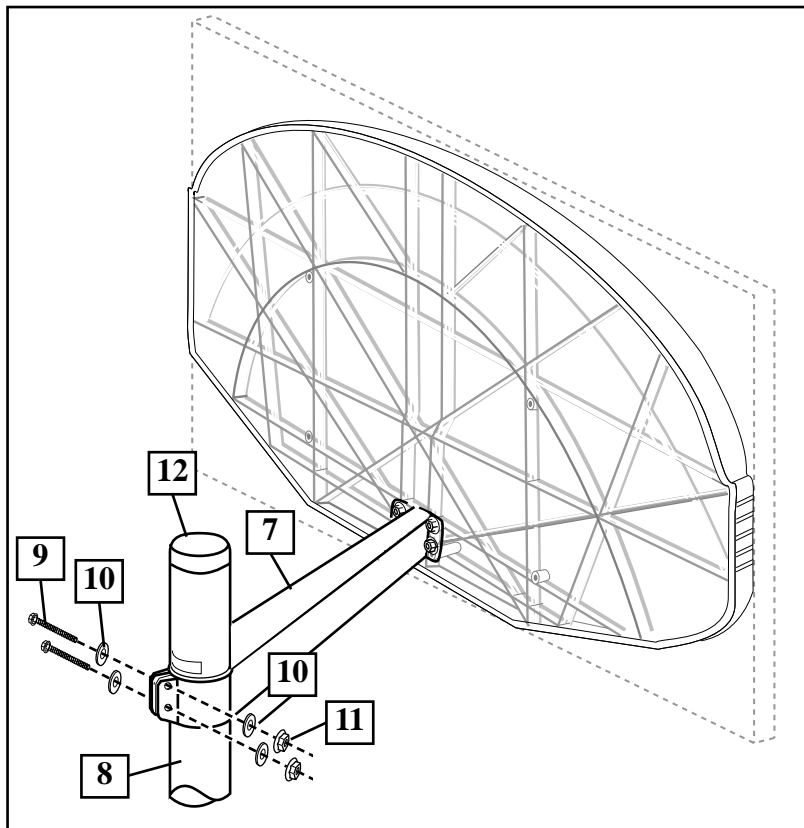
Refer To Combo For  
Goal Assembly  
Instructions



1. Mount extension arm (7) and rim to backboard using appropriate instruction sheet.

**NOTE: For spring loaded rim assembly, refer to instructions included with rim hardware.**

2. Assemble spider net (13) to all rims.



3. Secure extension arm (7) to 3.5" pole section (8). Install pole cap (12). Measure rim to be regulation 10' from the floor.

**INSTALLATION DIAGRAM**

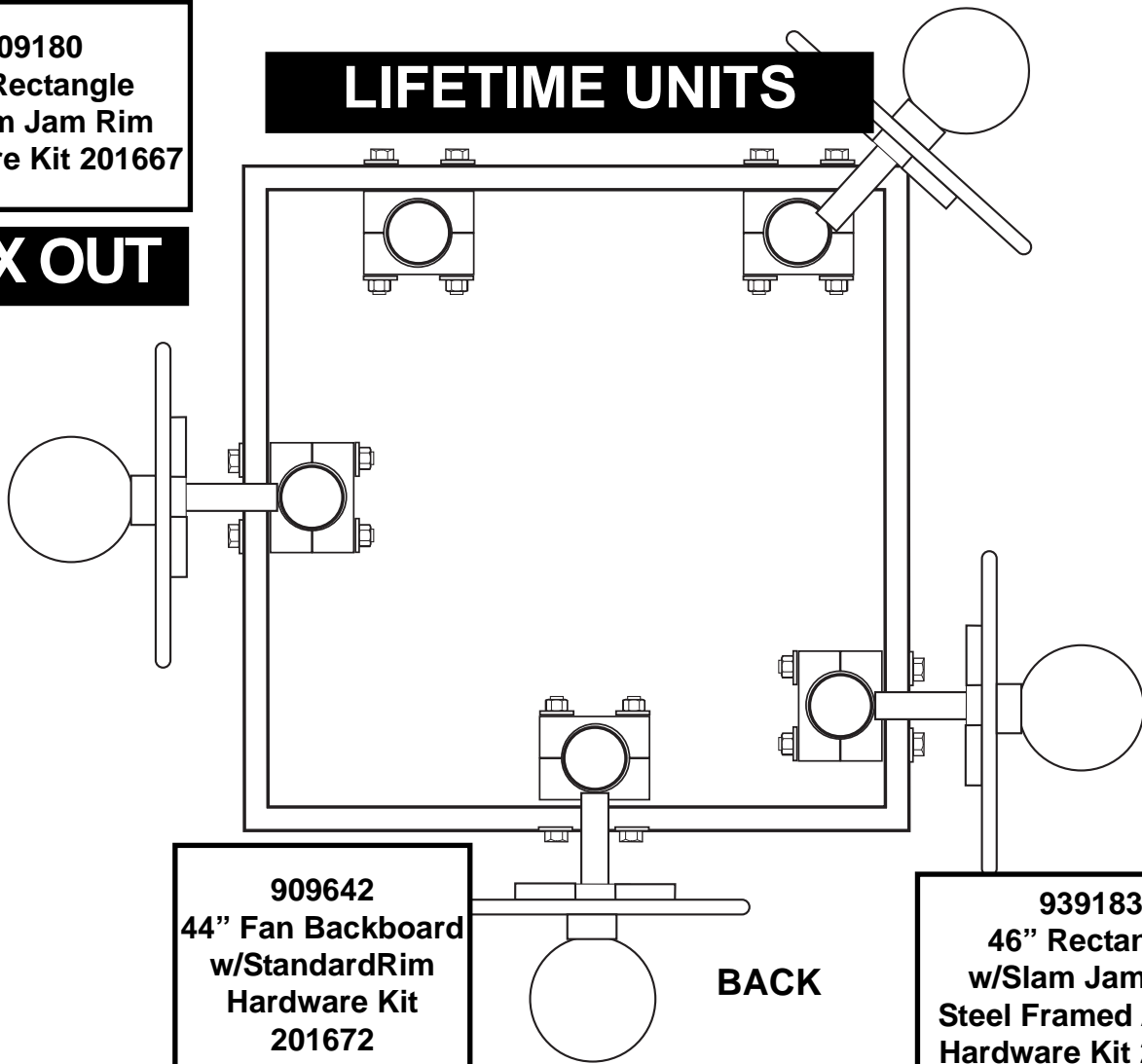
Assemble display products per diagram below.

**⚠ WARNING**  
TWO PERSON MINIMUM  
REQUIRED FOR THIS  
PROCEDURE. NOT  
FOLLOWING  
RECOMMENDATION MAY  
RESULT IN BODILY INJURY.

**909180**  
44" Rectangle  
w/Slam Jam Rim  
Hardware Kit 201667

**BOX OUT**

**LIFETIME UNITS**



**909642**  
44" Fan Backboard  
w/StandardRim  
Hardware Kit  
201672

**TITANIUM**

**939183**  
46" Rectangle  
w/Slam Jam Rim  
Steel Framed Acrylic  
Hardware Kit 201670

**BEAST**