

Portable Basketball System Owners Manual

! SAFETY INSTRUCTIONS !

**FAILURE TO FOLLOW THESE SAFETY INSTRUCTIONS MAY
RESULT IN SERIOUS INJURY,
PROPERTY DAMAGE AND WILL VOID WARRANTY.**

***Owner must ensure that all players know and follow these
rules for safe operation of the unit.***

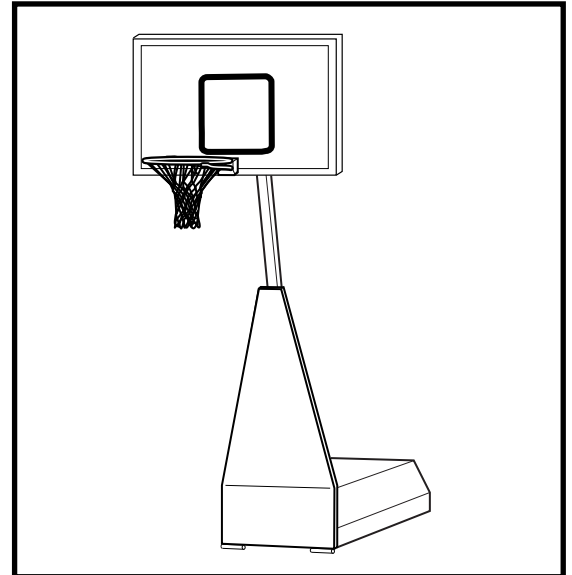
To ensure safety, do not attempt to assemble this system without following the instructions carefully. Check entire pallet and inside all packing material for parts. Before beginning assembly, read the instructions and identify parts using the hardware identifier and parts list in this document. Proper and complete assembly, use and supervision are essential for proper operation and to reduce the risk of accident or injury. A high probability of serious injury exists if this system is not installed, maintained, and operated properly.

- This equipment is intended for home recreational use only and NOT excessive competitive play.
- Read and understand the warning label affixed to pole. Label is shown on page 2.
- The life of your basketball pole depends on many conditions. The climate, placement of unit, the location of unit, exposure to corrosives such as pesticides, herbicides or salts are all important.
- During assembly, if using a ladder use extreme caution. Two people are recommended for this operation.
- Climate, corrosion and excessive use or misuse could result in pole failure.
- If technical assistance is required, contact Customer Service Center.
- Adult supervision is recommended when adjusting unit.
- Minimum operational height is 6' 6" (2 m) to the bottom of backboard.

*Most injuries are caused by misuse and/or not following instructions.
Use caution when using this unit.*

NOTICE TO ASSEMBLERS

ALL Huffly Sports basketball Systems, including those used for **DISPLAYS**, **MUST** be assembled and ballasted with sand or water according to instructions. Failure to follow instructions could result in **SERIOUS INJURY**. It is **NOT** acceptable to devise a makeshift weight system.



REQUIRED TOOLS AND MATERIALS:

- Two People
- Carpenters Level
- Wrench: 3/4" Or Small Adjustable
- Combination Wrenches: (Two) 1/2", 9/16"
- Step Ladder 8 ft. (2.4 m)
- Utility Knife
- Reversible Drill with 3" Phillips and Standard Screwdriver Tips
- Ballast (Sand or Dry Cement 480-640 lbs.(218-290 kg))

IMPORTANT! Have questions?...Don't go back to the store!

We appreciate your purchasing one of our many fine products. We are sure that you will be very satisfied with your selection. Although great care and effort have been taken, occasionally problems may occur. To ensure prompt and correct handling of any problems, or to answer any questions, please contact our Toll-Free Customer Service Number listed below. **Service will be quicker if you have your Model Number (found on carton) and assembly instructions ready when calling. PLEASE WRITE YOUR MODEL NUMBER IN THE SPACE PROVIDED ABOVE.**

Toll-Free Customer Service Number for U.S: **1-800-558-5234** Canada Only: **1-800-284-8339**
Internet Address: <http://www.hydra-rib.com>



WARNING

FAILURE TO FOLLOW THESE WARNINGS MAY RESULT IN SERIOUS INJURY AND/OR PROPERTY DAMAGE.

Owner must ensure that all players know and follow these rules for safe operation of the unit.

- See instruction manual for proper installation and maintenance.
- Use caution when performing dunk type activities on this unit.
- Do not hang from any part of unit, including backboard, support braces, rim or net.
- Do not slide, climb or play on base and/or pole.
- Surface beneath the base must be smooth and free of gravel.
- After assembly is complete, distribute ballast and stake to the ground.
- Never leave unit in an upright position without placing required amount of ballast in base, as unit may tip over causing injury.
- Keep organic material away from base. Grass, litter, etc. could cause corrosion and/or deterioration.
- Check pole system for signs of corrosion (rust, pitting, chipping) and repaint with exterior enamel paint. If rust has penetrated through steel anywhere, replace pole immediately.
- Check unit before each use for loose hardware, excessive wear and signs of corrosion and repair before using.
- Check unit before each use for stability.
- Do not use system during windy and/or severe weather conditions, unit may tip over. Place system in the storage position and/or in an area protected from the wind and free from personal property and/or overhead power lines.
- During play, use extreme caution to keep player's face away from the backboard, rim or net.
- When adjusting height or moving unit, keep hands and fingers away from moving parts.
- Do not allow children to move or adjust unit.
- During play, do not wear jewelry (rings, watches, necklaces, etc.) Objects may entangle in net.

HYDRA-RIB™

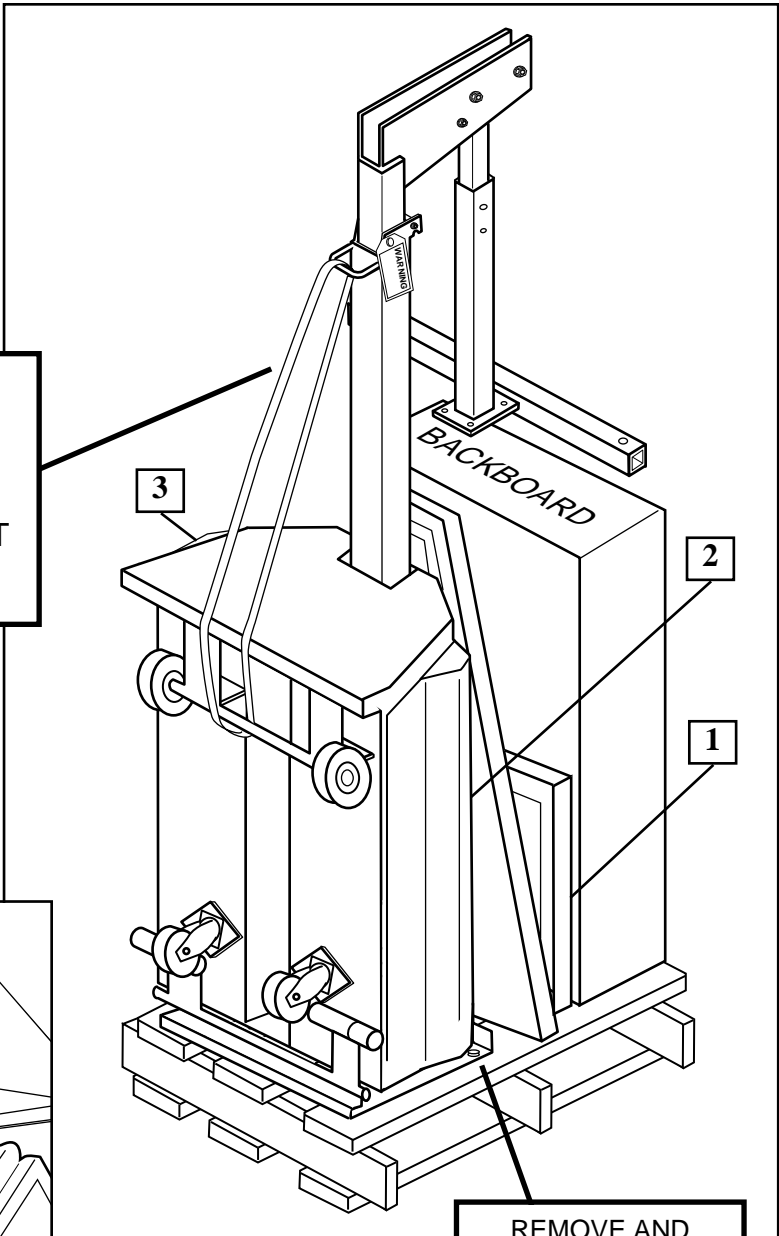
In the U.S.: 1-800-558-5234

211411 1/98

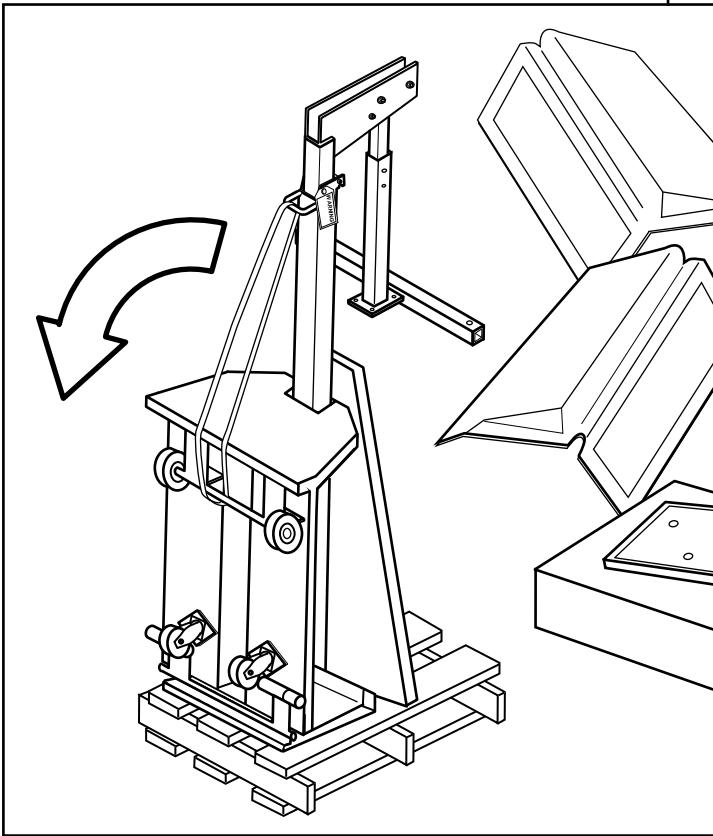


1. Use a fork lift to remove unit from truck and carefully remove packing materials.
2. Remove backboard, lower pad (1) and both shroud covers (2 and 3).

IMPORTANT!
DO NOT REMOVE
STABILIZING STRAP
AT THE REAR OF MAIN POST
AT THIS TIME!



REMOVE AND
DISCARD SCREWS



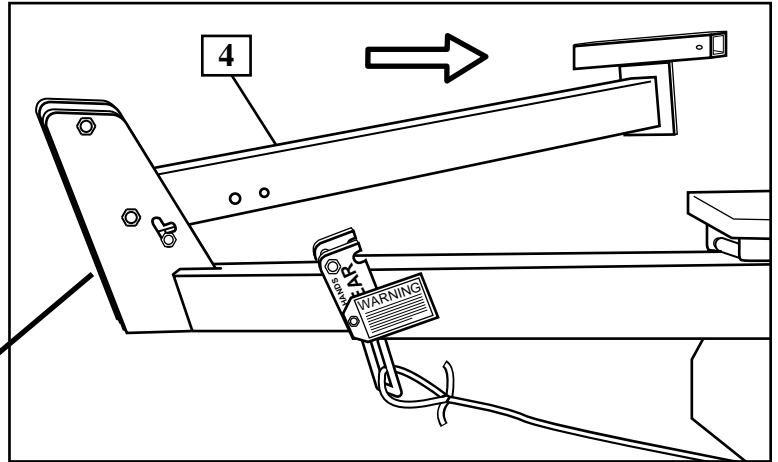
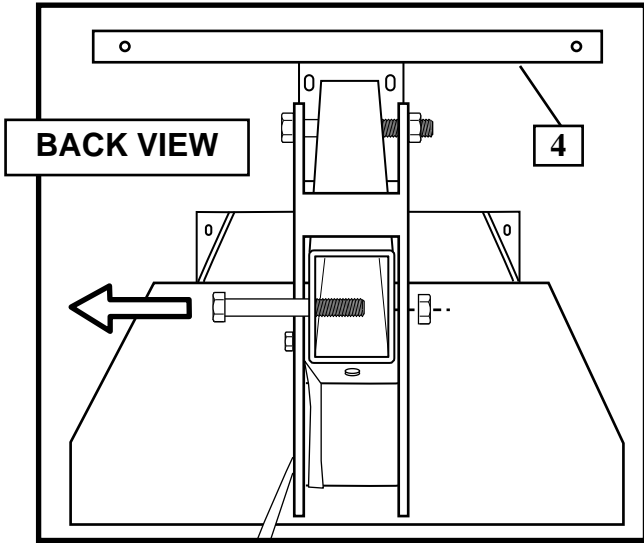
3. Remove the three screws which hold base to pallet and carefully lay unit base forward down to floor. Discard screws.

WARNING
TWO PERSON MINIMUM
REQUIRED FOR THIS
PROCEDURE.
NOT FOLLOWING
RECOMMENDATION MAY
RESULT IN BODILY INJURY.



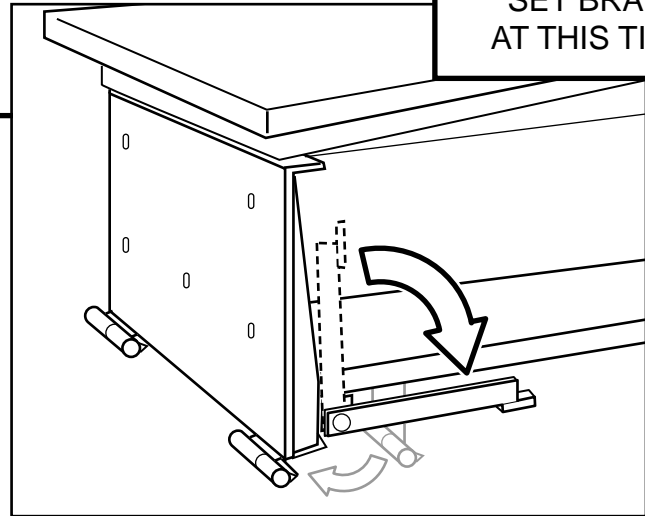
Ballast Installation

4. Remove extension arm (4) from slide post brackets as shown.



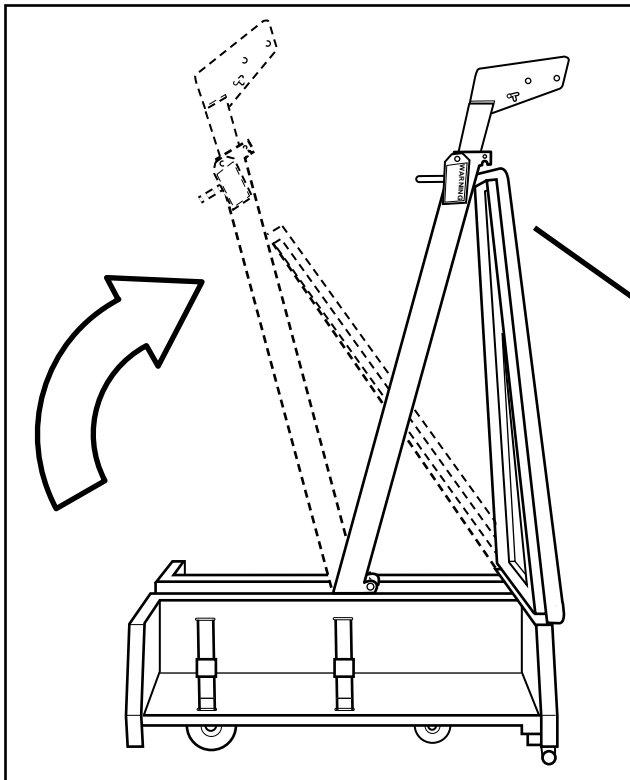
IMPORTANT!

SET BRAKE
AT THIS TIME.

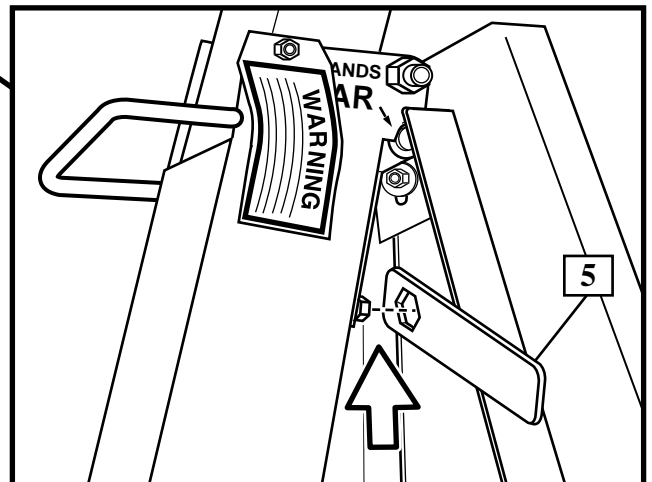


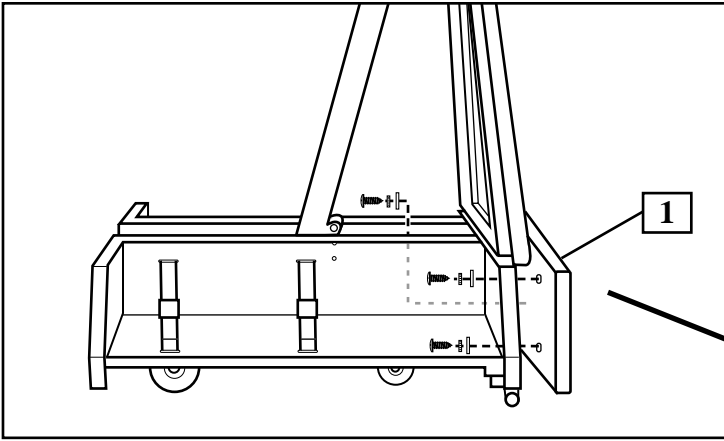
5. Cut stabilizing strap and set brake so unit will not roll.

6. Raise main post upward into playing position.

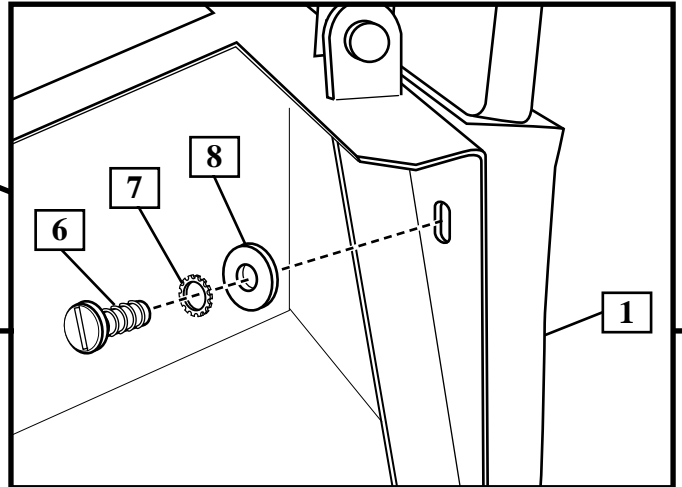


7. Tighten nut located at top of pole behind mast. (Flat wrench (5) included.)

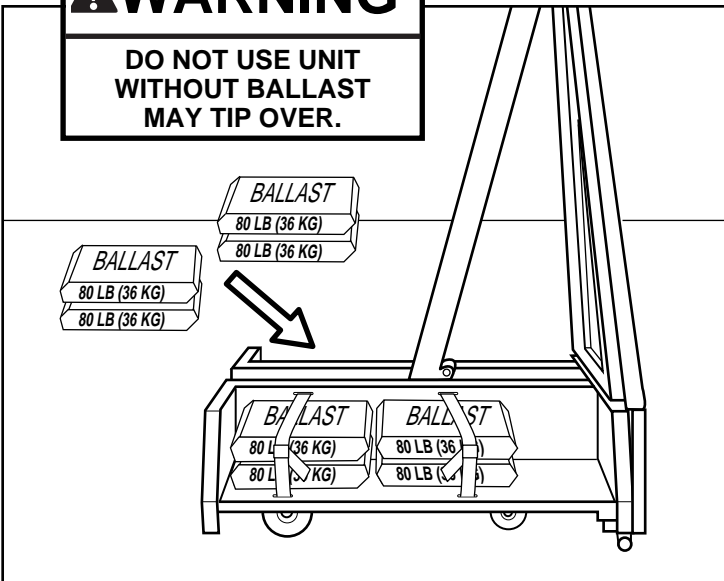




8. Attach lower front pad (1) to unit as shown.



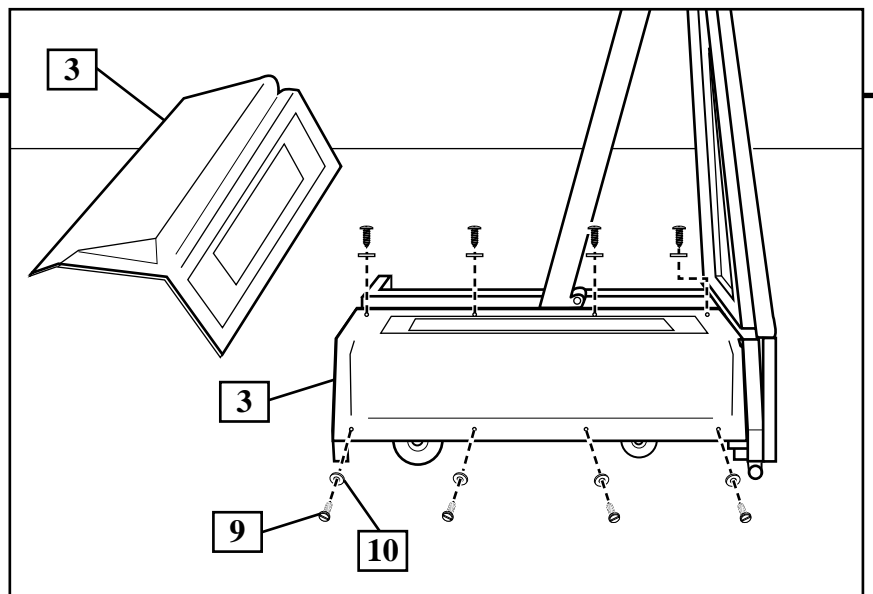
⚠ WARNING
DO NOT USE UNIT
WITHOUT BALLAST
MAY TIP OVER.



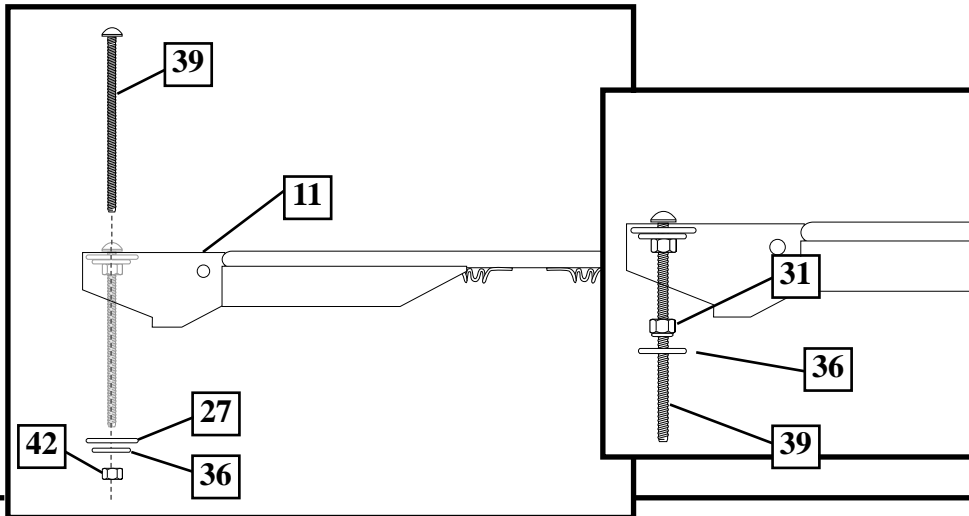
9. Install 640 lbs. (290 kg) of ballast. Secure with straps.

NOTE: Equal weight on each side required.

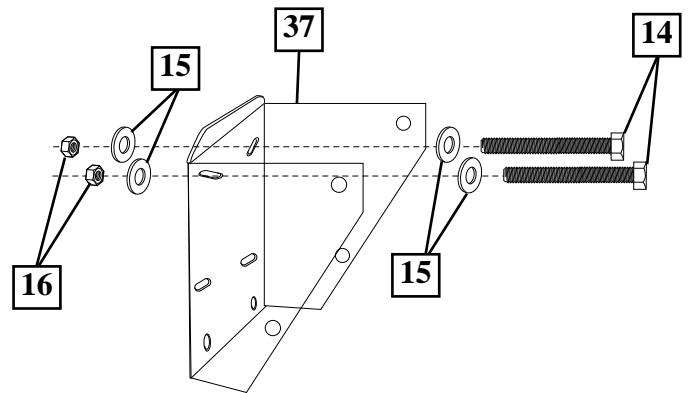
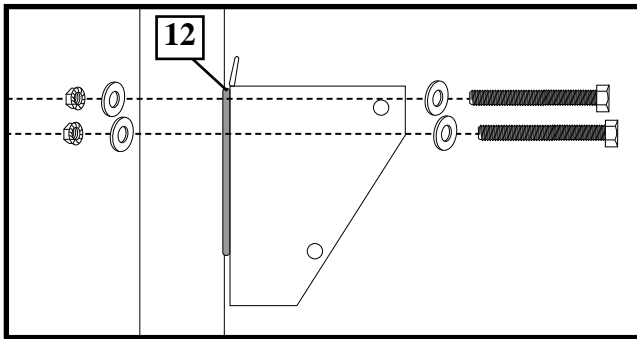
10. Install shroud cover (3) as shown. Repeat for opposite side.



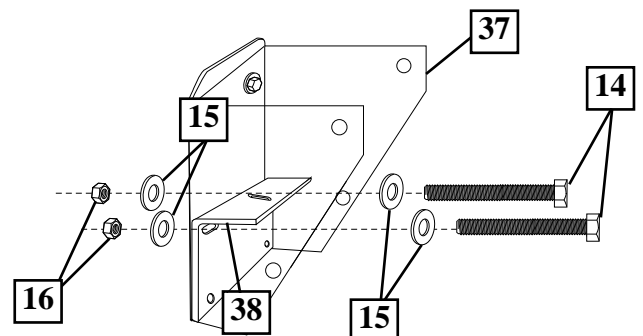
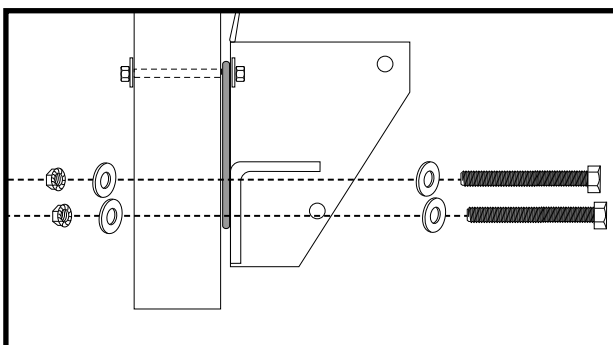
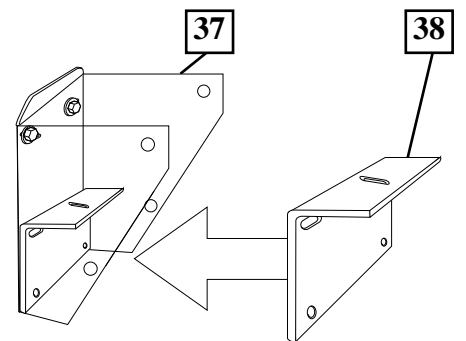
- 11.** Install carriage bolt (39) through rim (11), washers (27) and (36) as shown. Tighten nut (42) completely. Place nylon lock nut (31) about half-way up carriage bolt (39) as shown.



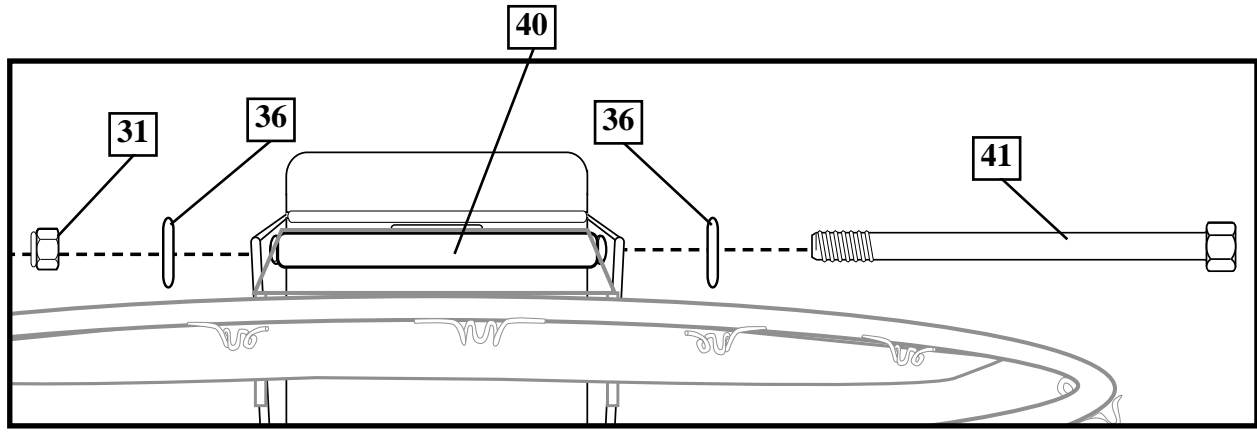
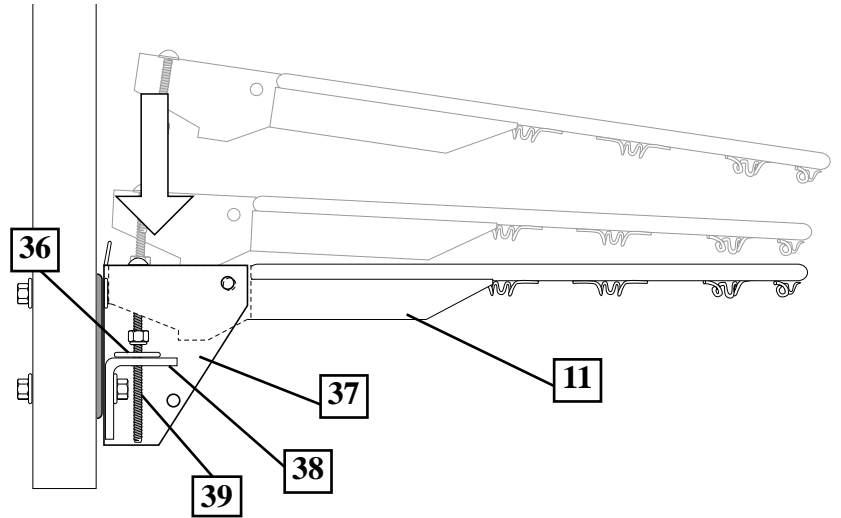
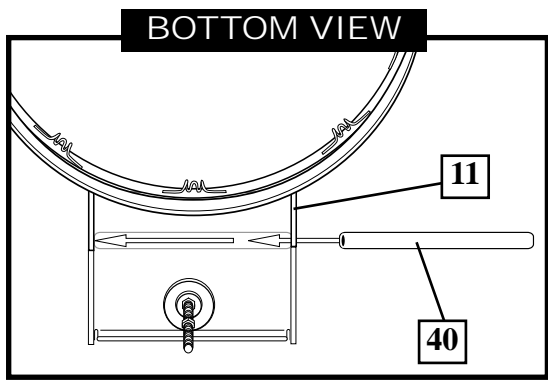
- 12.** Attach bracket (37) to backboard and support structure by inserting bolts (14) through washers (15) and top holes in bracket (37). Tighten nuts (16) completely. Peel and stick foam pad (12) to front of board, behind bracket (37).



- 13.** Insert inner bracket (38) into bracket (37) as shown. Insert bolts (14) through washers (15) and top holes of inner bracket (38) as shown. Tighten nuts (16) completely.

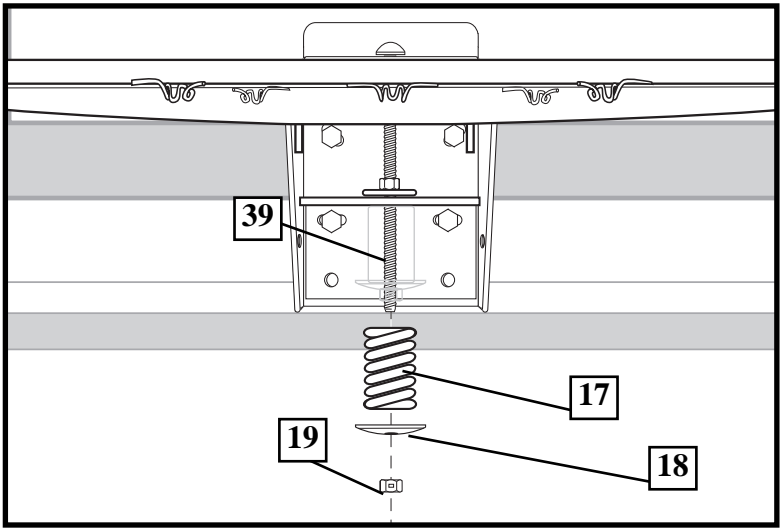


- 14.** Insert spacer (40) through rim assembly (11). Place rim assembly on bracket (37) so the carriage bolt (39) is inserted through hole on top of inner bracket (38). Install bolt (41), washers (36) and nut (31) through top holes on bracket (37) as shown. Tighten completely.



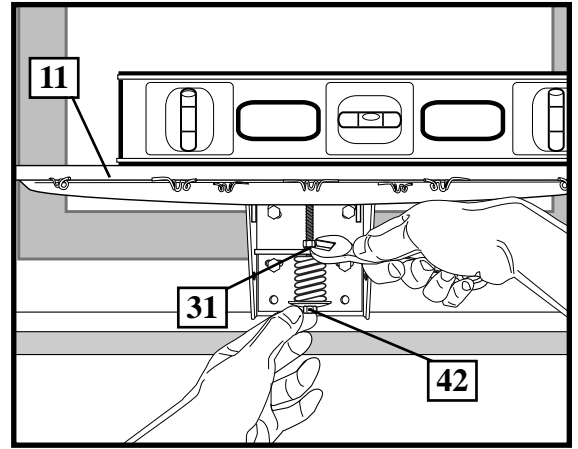
- 15.** Install rubber grommet (17), concave washer (18) and center lock nut (19) to bolt (39) as shown.

NOTE
Do not over tighten as rim will not flex properly. See leveling instructions to determine how much to tighten nuts (19) and (39).



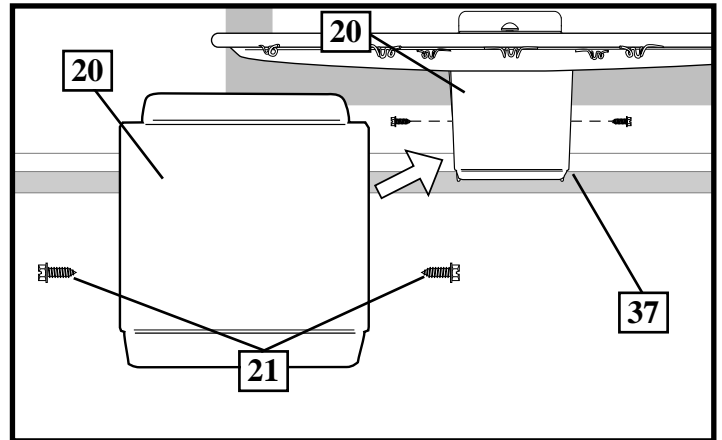
16. RIM LEVELING INSTRUCTIONS:

Place level (11) on rim (11) and adjust nut (31) until level. Tighten nut (42) to set rim tension for playing.

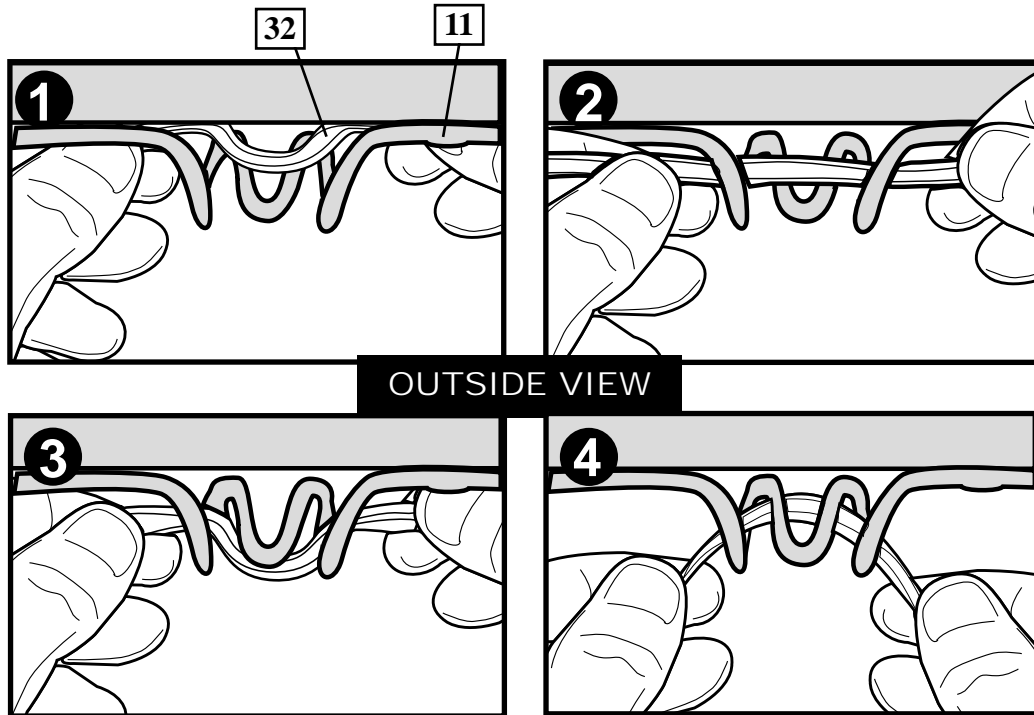


17. Install cover plate (20) on rim (11) using self tapping screws (21) as shown.

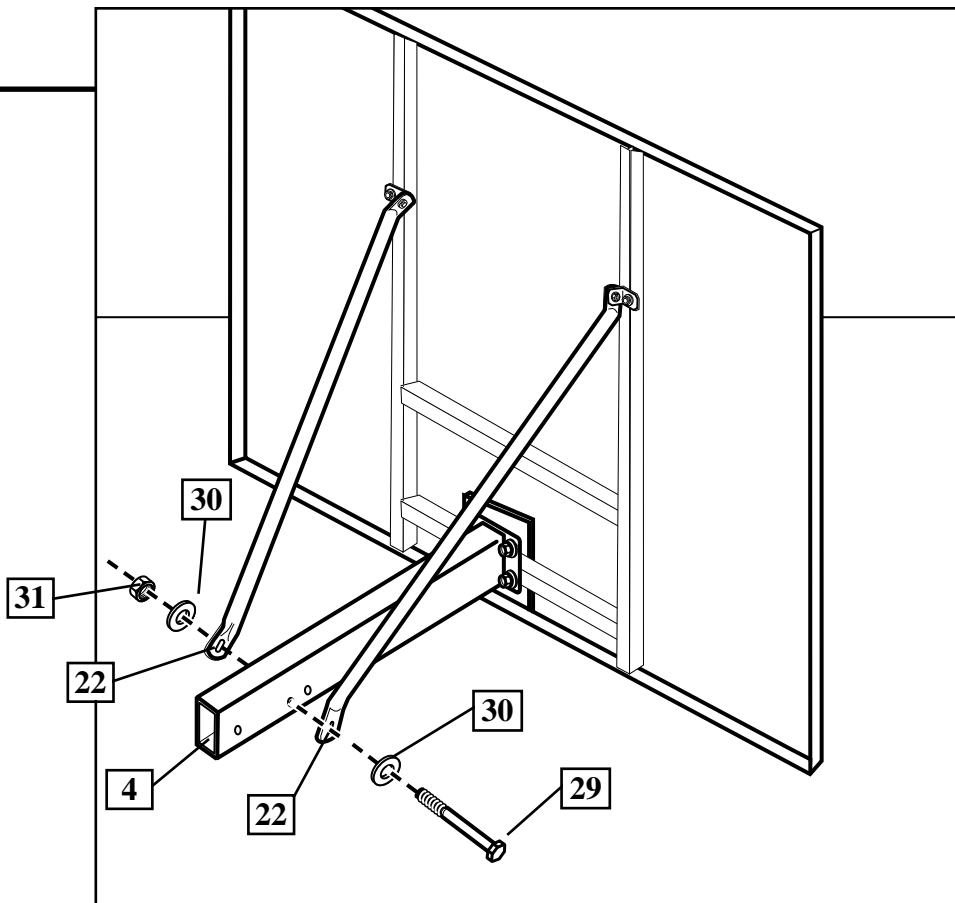
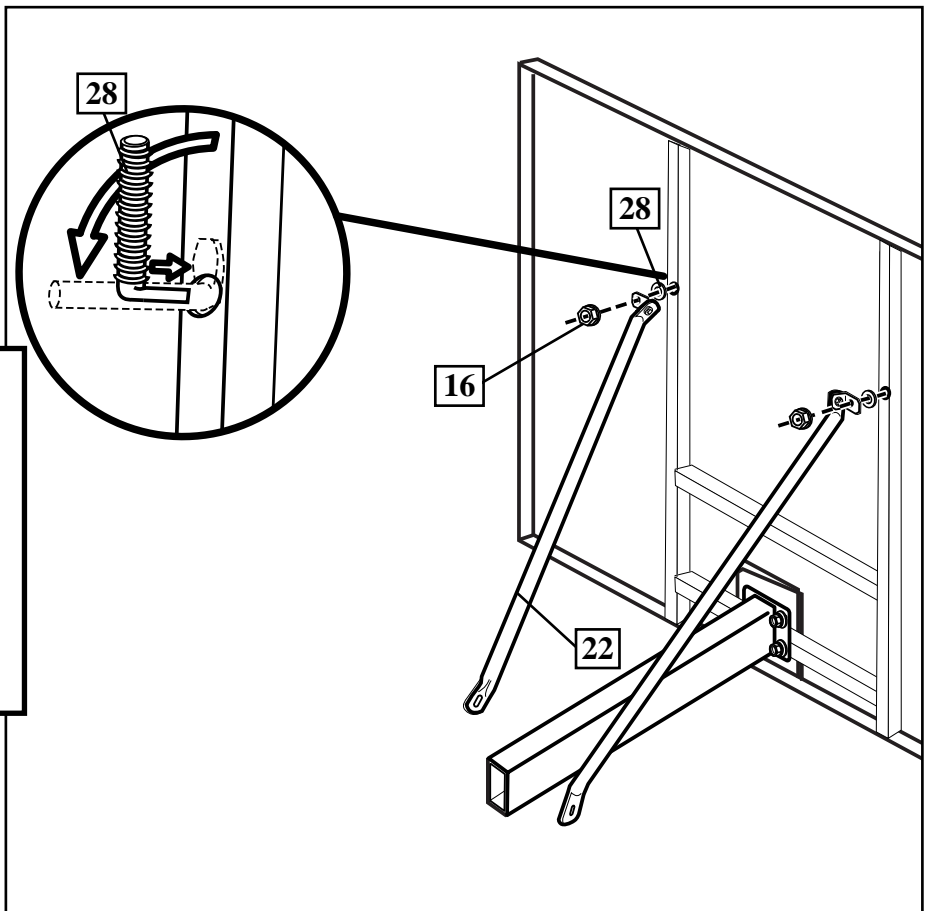
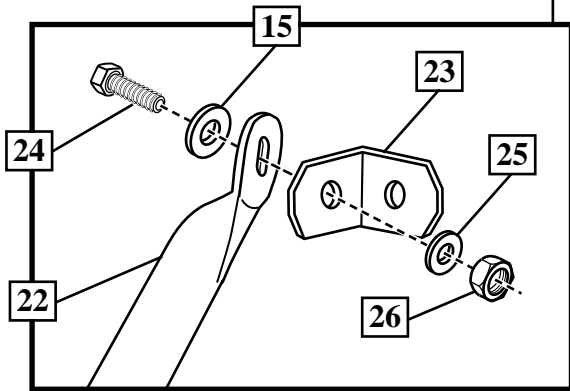
NOTE ORIENTATION OF COVER PLATE



18. Secure net (32) to rim (11).



- 19.** Loosely assemble hardware to strut (22). Mount strut (22) to backboard and finger tighten. Repeat for opposite side.

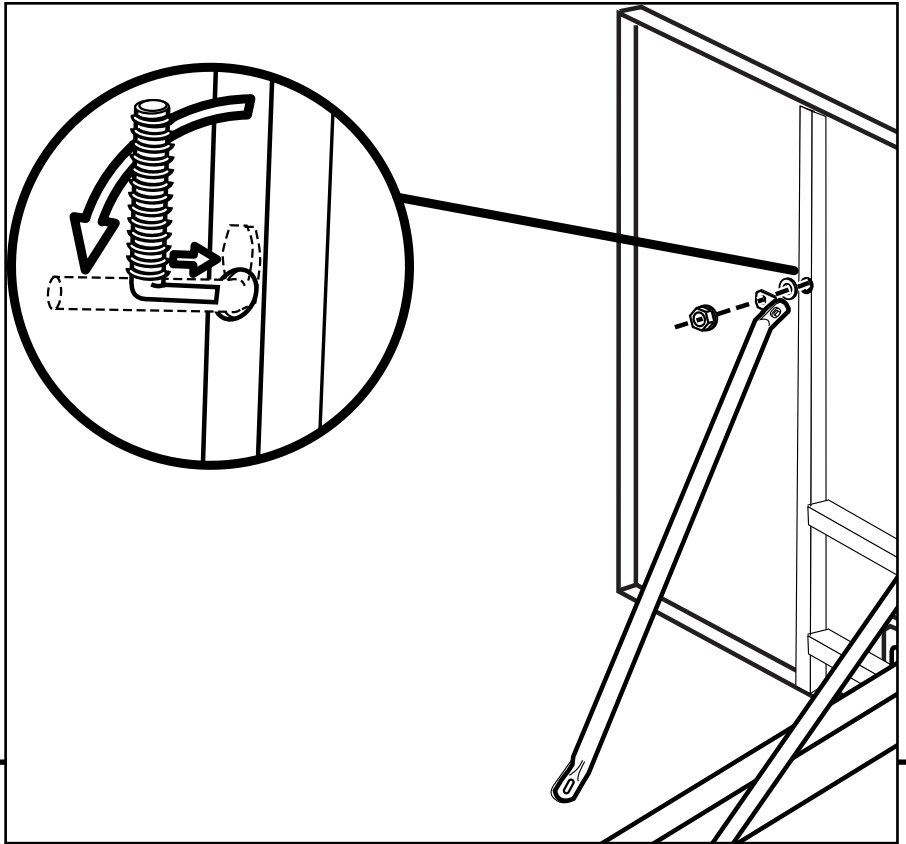


- 20.** Secure struts (22) to extension arm (4). Completely tighten all strut hardware in Step 15 and Step 16.



21. Loosen nut located at top of post behind pole mast (Refer to Steps 6 and 7) and carefully lower pole mast as shown.

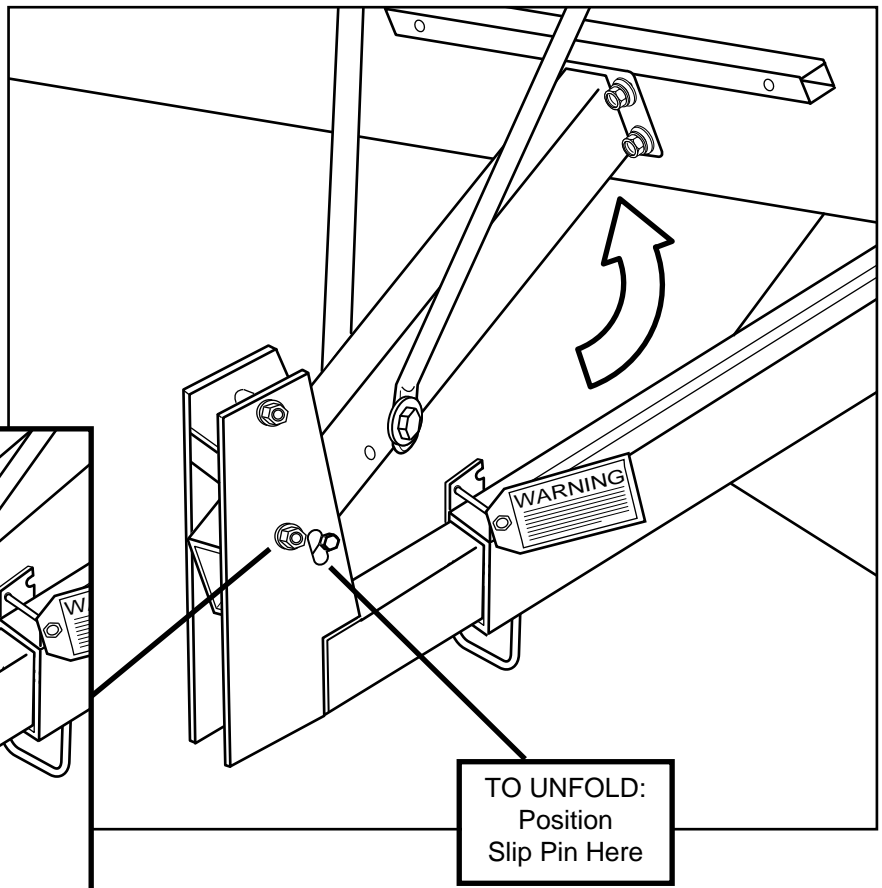
22. Insert extension arm and backboard assembly into place and secure as shown. (Refer to Step 4)



! WARNING
TWO PERSON MINIMUM
REQUIRED FOR THIS
PROCEDURE.
NOT FOLLOWING
RECOMMENDATION MAY
RESULT IN BODILY INJURY.

23. Lift backboard upward at an inclined angle and position slip pin into slot as shown for unfolding.

! WARNING
TWO PERSON MINIMUM
REQUIRED FOR THIS
PROCEDURE.
NOT FOLLOWING
RECOMMENDATION MAY
RESULT IN BODILY INJURY.



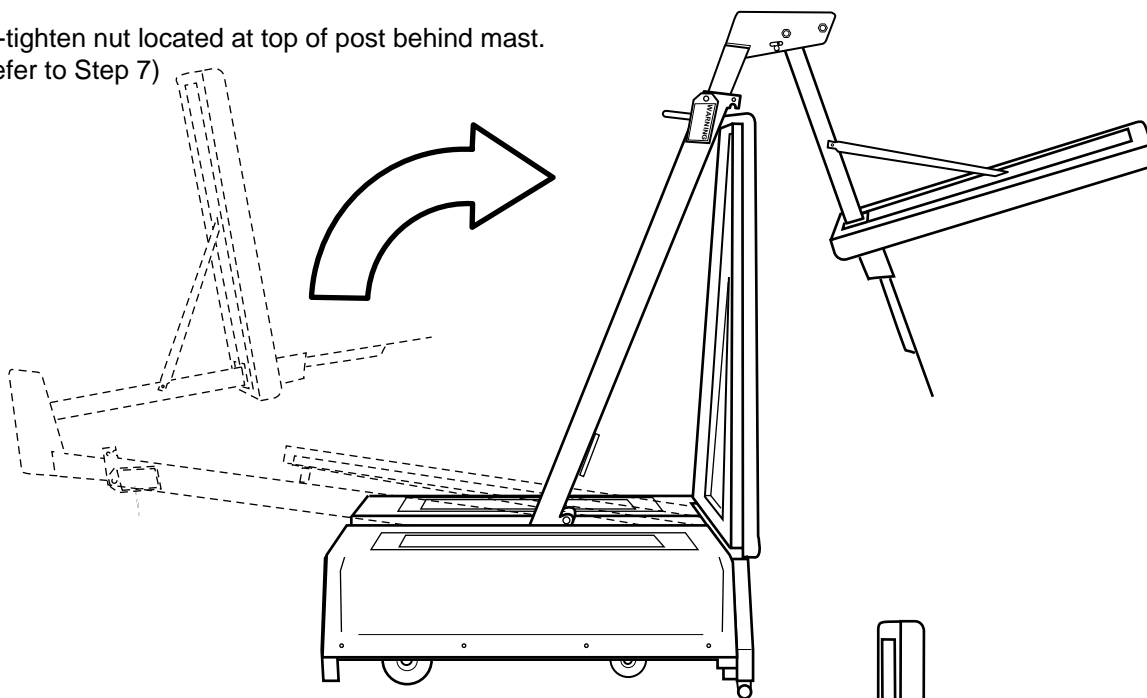
FOR STORAGE:
Position
Slip Pin Here

TO UNFOLD:
Position
Slip Pin Here

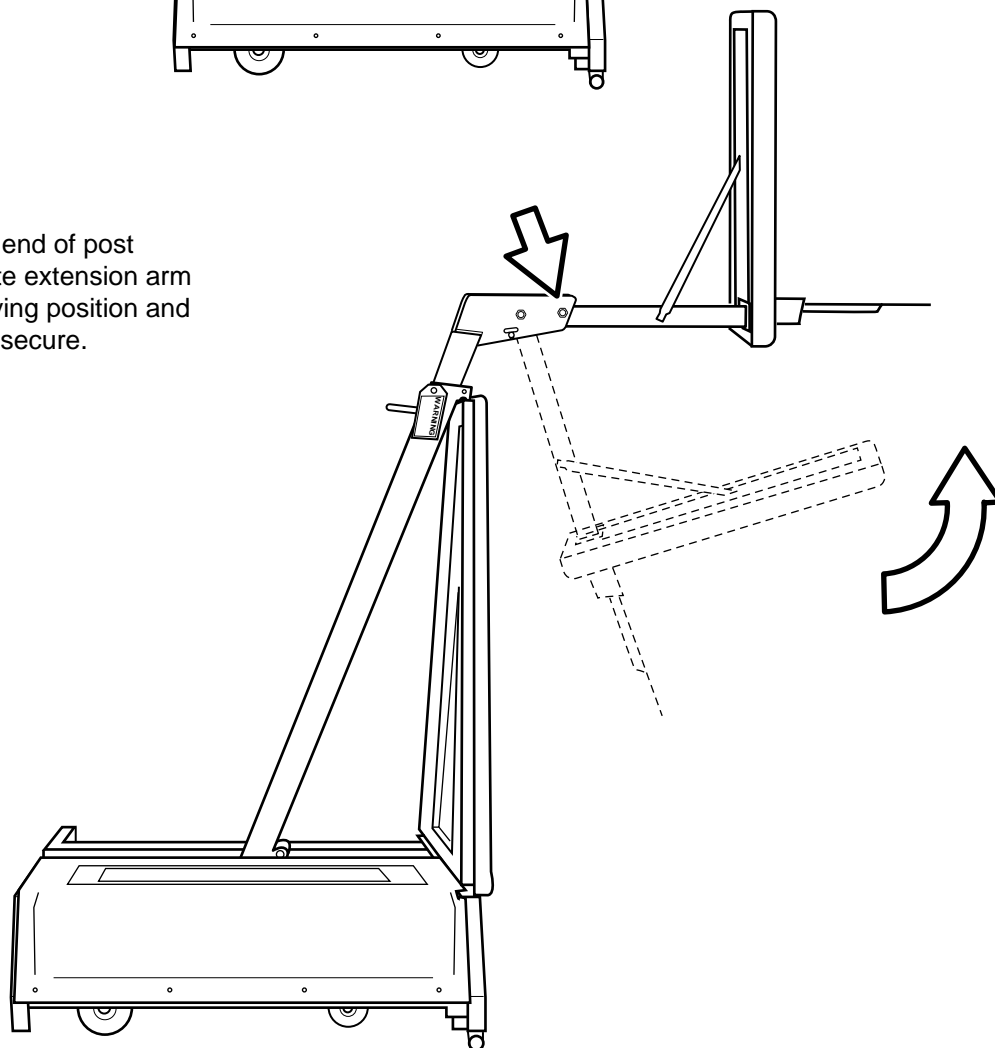


24. Raise pole mast into playing position.

25. Re-tighten nut located at top of post behind mast.
(Refer to Step 7)



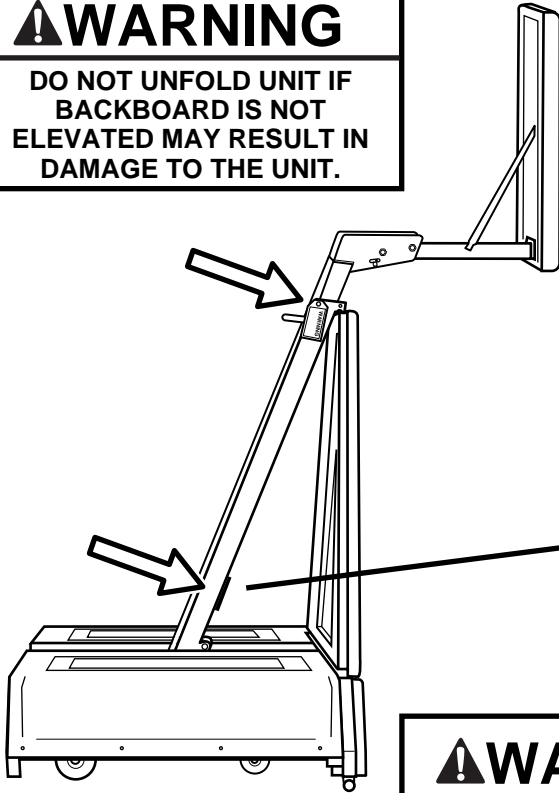
26. Remove bolt at end of post brackets. Rotate extension arm and up into playing position and re-insert bolt to secure.



Height Adjustment

⚠️ WARNING

DO NOT UNFOLD UNIT IF BACKBOARD IS NOT ELEVATED MAY RESULT IN DAMAGE TO THE UNIT.



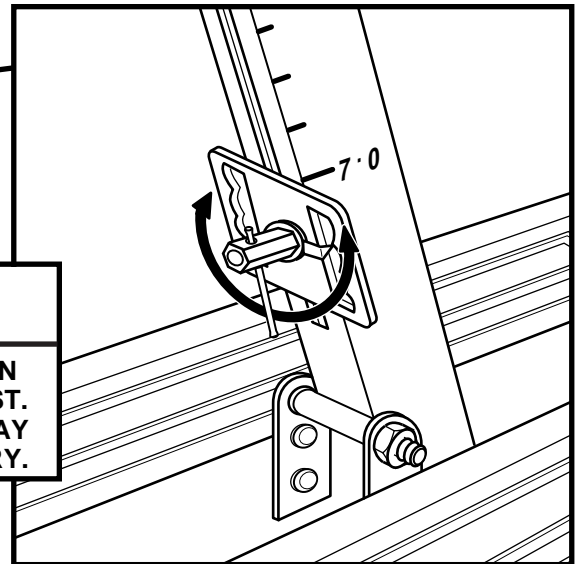
27. Remove tagged bolt at top of slide post.

⚠️ WARNING

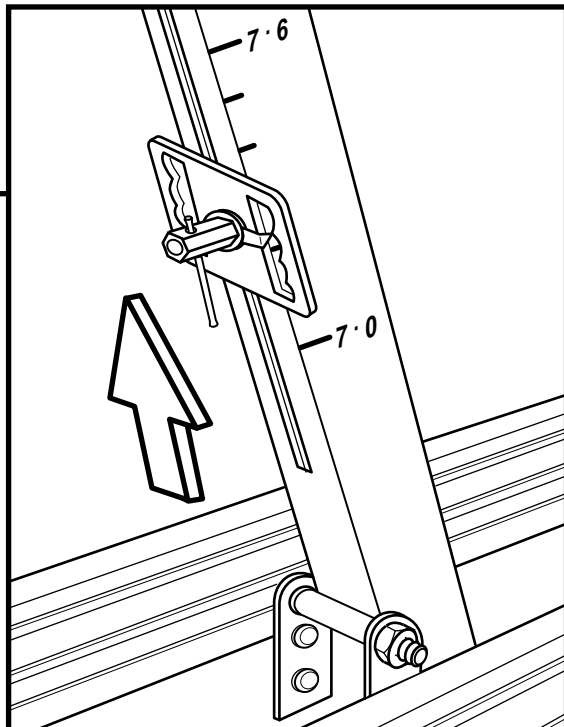
RE-INSERT TAGGED BOLT FOR STORAGE! FAILURE TO DO SO MAY RESULT IN SERIOUS BODILY INJURY AND/OR PROPERTY DAMAGE.

⚠️ WARNING

DO NOT PLACE HANDS IN FRONT OF THE MAIN POST. SUPPORTS IN MOTION MAY RESULT IN BODILY INJURY.



NOTE: Rotate hand cranking bolt to loosen and tighten.



28. Stand to the side of unit with both hands securely on height adjustment handle. Carefully slide pole mast upward to desired height. Then turn cranking bolt to tighten completely.

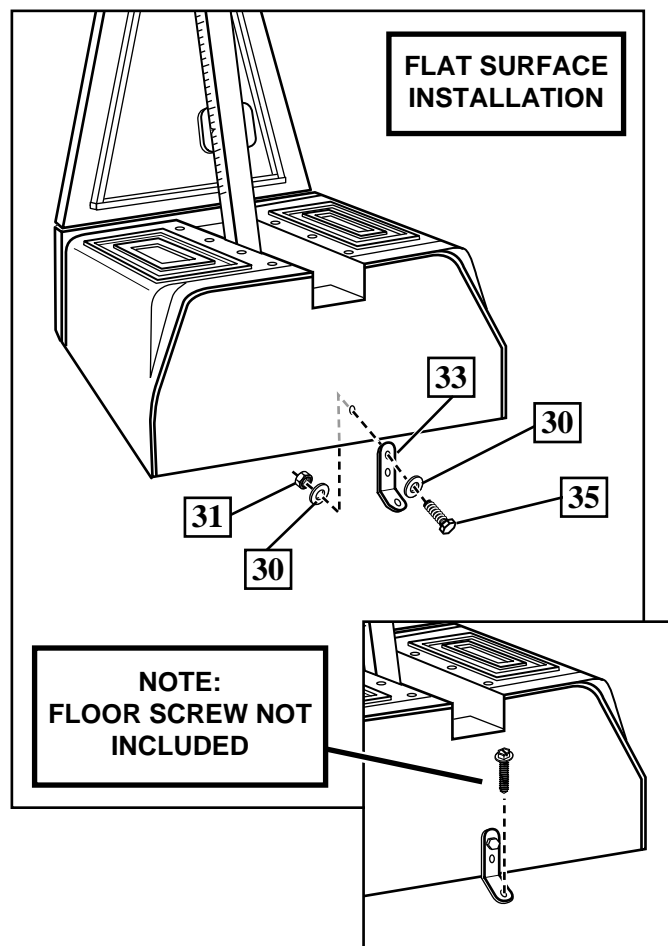
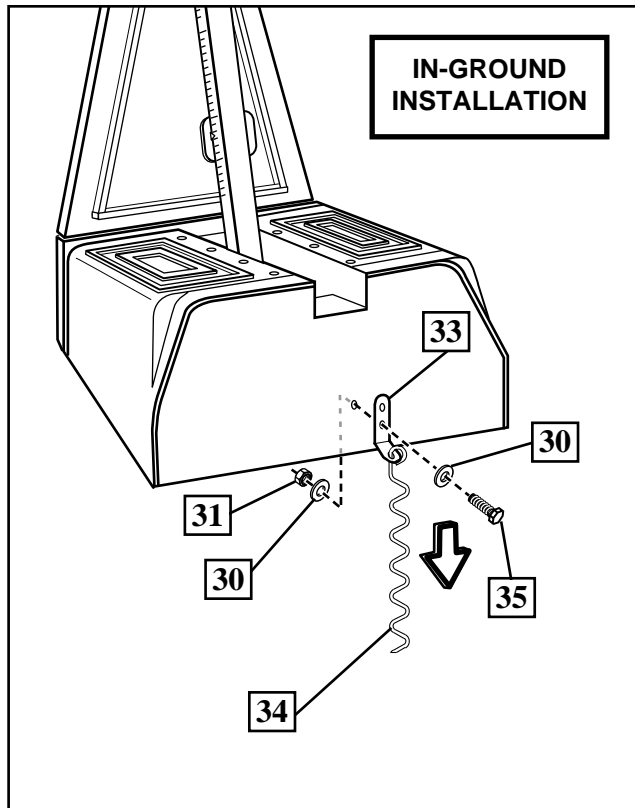
⚠️ WARNING

WHEN HEIGHT HAS BEEN ADJUSTED MAKE SURE THAT HANDLE IS COMPLETELY TIGHTENED.

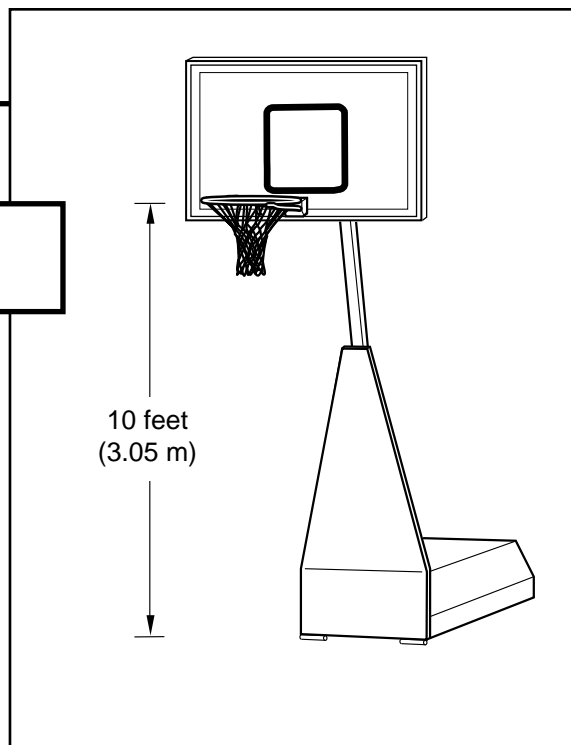


Ground Installation

29. Place unit in desired location. Secure unit to ground or flat surface as shown.



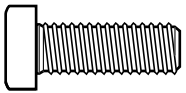
Regulation Rim
Height is 10 Feet (3.05 m).



PARTS LIST

<u>Item</u>	<u>Qty.</u>	<u>Part No.</u>	<u>Description</u>	<u>Item</u>	<u>Qty.</u>	<u>Part No.</u>	<u>Description</u>
1	1	206597	Pad, Lower Front	23	2	206585	"L" Bracket
2	1	206592	Shroud, Right Cover	24	2	203153	Bolt, Hex 5/16"-18 x 3/4"
3	1	206593	Shroud, Left Cover	25	2	206116	Lockwasher, Split, 5/16"
4	1	206574	Extension Arm	26	4	203001	Nut, Hex, 5/16"-18
5	1	206556	Flat Wrench	27	1	203474	Washer, Flat 1/2" x 1" O.D.
6	5	206572	Bolt, Slotted Pan Head, 1/4"-20	28	2	205220	Weld Studs
7	5	206143	Washer, Locking 1/4"	29	1	200514	Bolt, Hex 3/8"-16 x 3"
8	5	201114	Washer, Flat 1/4"	30	4	203335	Washer, 3/8" x 1" O.D.
9	16	203415	Screw, Php-Head, #10 x 1"	31	4	203063	Lock Nut, 3/8"-16 Nylon Insert
10	16	206151	Fender Washer, 1" O.D.	32	1	204282	Net
11	1	920263	Rim, Orange	33	1	206557	Tie Down Bracket
12	1	206591	Foam Padding	34	1	203124	Tie Down Stake
13	1	984001	Backboard	35	1	206252	Bolt, Hex 3/8"-16 x 1"
14	4	201611	Bolt, Hex Flange, 5/16"-18 x 3"	36	4*	203032	Washer, Flat
15	10	203218	Washer, Flat 5/16"	37	1	920262	Bracket, Orange
16	6	203100	Nut, Hex Flange, 5/16"-18	38	1	920038	Inner Bracket, Black
17	1	200484	Spring	39	1	220065	Bolt, Carriage 3/8" x 5 1/2"
18	1	220043	Washer, Concave	40	1	220064	Spacer, 5" x 1/2" O.D.
19	1	201124	Nut, Hex Locking, 5/16"-18	41	1	203439	Bolt, Hex 3/8"-16 x 6"
20	1	960043	Cover Plate, Orange	42	1	203017	Nut, Hex 3/8"-16
21	2	220140	Screw, Tap 1/4" x 3/4"				
22	2	206567	Backboard Struts				

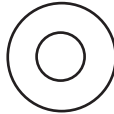
HARDWARE IDENTIFIER



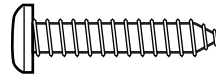
Item #6 (5)



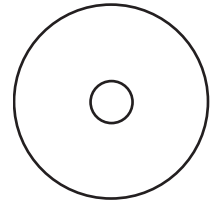
Item #7 (5)



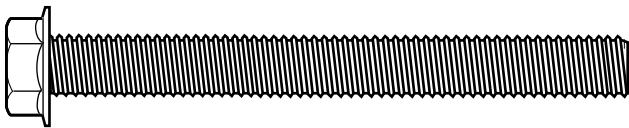
Item #8 (5)



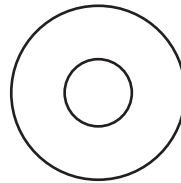
Item #9 (16)



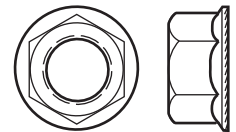
Item #10 (16)



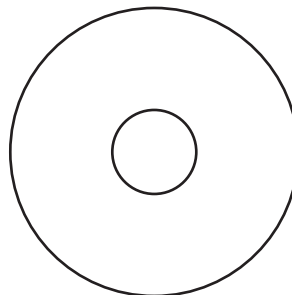
Item #14 (4)



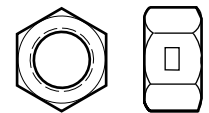
Item #15 (10)



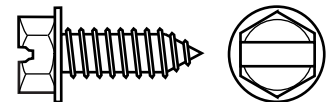
Item #16 (6)



Item #18 (1)



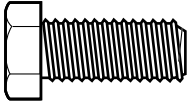
Item #19 (1)



Item #21 (2)



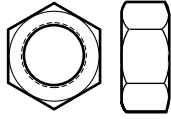
HARDWARE IDENTIFIER



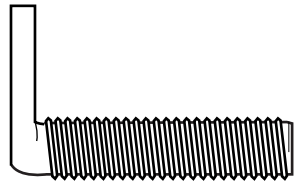
Item #24 (2)



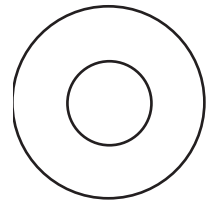
Item #25 (2)



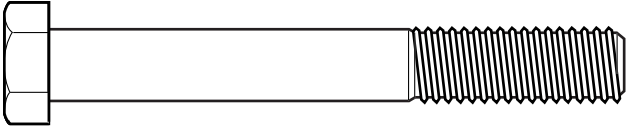
Item #26 (4)



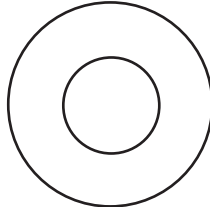
Item #28 (2)



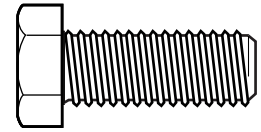
Item #30 (4)



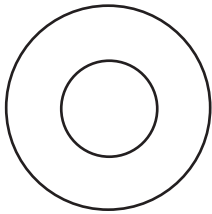
Item #29 (1)



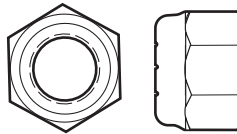
Item #36 (4)



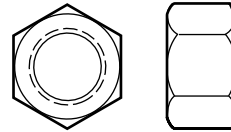
Item #35 (1)



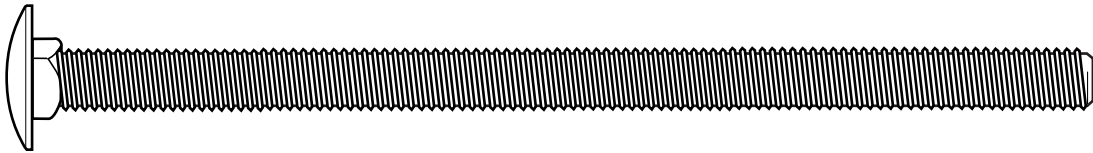
Item #27 (1)



Item #31 (4)



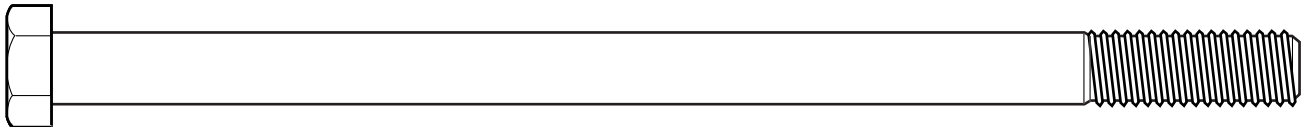
Item #42 (1)



Item #39 (1)



Item #40 (1)



Item #41 (1)

