

REQUIRED MATERIALS:



• *Two (2) Capable Adults*

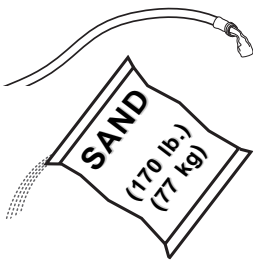


• *Wood Board (scrap)*



• *Sawhorse or Support Table*

• *Garden Hose or Sand*



• *(2 each) Wrenches and/or Socket Wrenches and Sockets.*



1/2" 9/16"

AND/OR

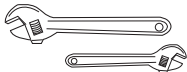


1/2"



9/16"

OPTIONAL TOOLS AND MATERIALS:



• *Large and Small Adjustable Wrenches*

WARNING!

NOT SUITABLE FOR CHILDREN UNDER THREE YEARS OF AGE DUE TO SMALL PARTS/CHOKING HAZARD.

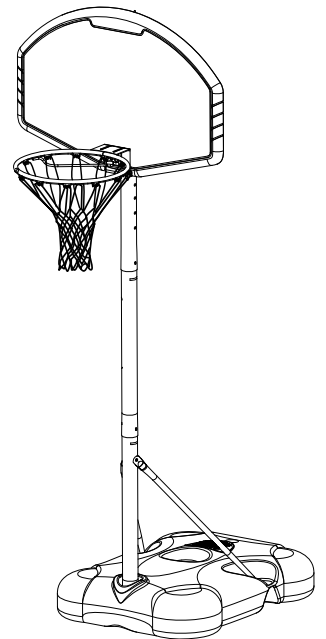
European Technical File:
De Ruyumbeke
20 Bd Bourre
13008 Marseille, France

88 / 378-UK-003
Tech File at
De Ruyumbeke,
France

This manual, accompanied by sales receipt, should be saved and kept on hand as a convenient reference, as it contains important information about your model.

Portable System Owners Manual

Customer Service Center
• N53 W24700 South Corporate Circle • Sussex, WI 53089 • U.S.A.



WARNING!

READ AND UNDERSTAND OPERATOR'S MANUAL BEFORE USING THIS UNIT.

FAILURE TO FOLLOW OPERATING INSTRUCTIONS COULD RESULT IN INJURY OR DAMAGE TO PROPERTY.

Write Model Number From Box Here:

Toll-Free Customer Service Number for U.S: **1-800-558-5234**,

For Canada: **1-800-284-8339**,

For Europe: **00 800 555 5234** (Sweden: **009 555 85234**),

For Australia: **1-800-632 7921**

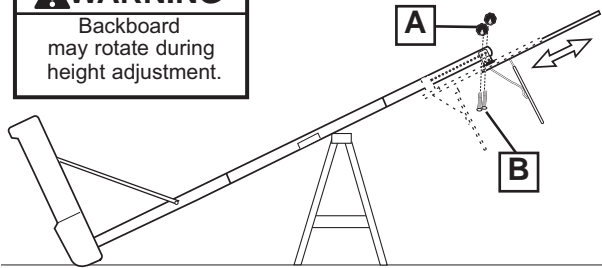
Internet Address: <http://www.huffysports.com>

HEIGHT ADJUSTMENT

Rest unit on support table. Remove adjustment knobs (A) and carriage bolts (B) to extend or retract backboard and rim. Height adjustment from 4-1/2' - 6-1/2'.

WARNING

Backboard may rotate during height adjustment.



WARNING

Do not adjust height of system in upright position. System must be in down position to adjust.

558170 07/05



WARNING

Read and understand warnings listed below before using this product.

Failure to follow these warnings may result in serious injury and/or property damage.

Owner must ensure that all players know and follow these rules for safe operation of the system.

- DO NOT HANG on the rim or any part of the system including backboard, support braces or net.
- During play, especially when performing dunk type activities, keep player's face away from the backboard, rim and net. Serious injury could occur if teeth/face come in contact with backboard, rim or net.
- Do not slide, climb, shake or play on base and/or pole.
- After assembly is complete, fill system completely with water or sand. Never leave system in an upright position without filling base with weight, as system may tip over causing injuries.
- When adjusting height or moving system, keep hands and fingers away from moving parts.
- Do not allow children to move or adjust system.
- During play, do not wear jewelry (rings, watches, necklaces, etc.). Objects may entangle in net.
- Surface beneath the base must be smooth and free of gravel or other sharp objects. Punctures cause leakage and could cause system to tip over.
- Keep organic material away from pole base. Grass, litter, etc. could cause corrosion and/or deterioration.
- Check pole system for signs of corrosion (rust, pitting, chipping) and repaint with exterior enamel paint. If rust has penetrated through the steel anywhere, replace pole immediately.
- Check system before each use for proper ballast, loose hardware, excessive wear and signs of corrosion and repair before use.
- Check system before each use for instability.
- Do not use system during windy and/or severe weather conditions; system may tip over. Place system in the storage position and/or in an area protected from the wind and free from personal property and/or overhead wires.
- Never play on damaged equipment.
- When moving system, use caution to keep mechanism from shifting.
- Keep pole top covered with cap at all times.
- Do not allow water in tank to freeze. During sub-freezing weather add 2 gallons of non-toxic antifreeze, sand or empty tank completely and store. (Do not use salt.)
- While moving system, do not allow anyone to stand or sit on base or have added ballasting on base.
- Do not leave system unsupervised or play on system when wheels are engaged for moving.
- Use Caution when moving system across uneven surfaces. System may tip over.
- Use extreme caution if placing system on sloped surface. System may tip over more easily.
- See instruction manual for proper installation and maintenance.

SPALDING
In the U.S.: 1-800-558-5234
In Canada: 1-800-284-8339

HYDRA-RIB
In the U.S.: 1-800-334-9111

RUSSELL
ATHLETIC

SURE SHOT
In the U.S.: 1-888-713-5488

HUFFY SPORTS
In the U.S.: 1-800-558-5234
In Canada: 1-800-284-8339

ID#: 558200 05/05



SAFETY INSTRUCTIONS



FAILURE TO FOLLOW THESE SAFETY INSTRUCTIONS MAY RESULT IN SERIOUS INJURY OR PROPERTY DAMAGE AND WILL VOID WARRANTY.

Owner must ensure that all players know and follow these rules for safe operation of the system.

To ensure safety, do not attempt to assemble this system without following the instructions carefully. Proper and complete assembly, use, and supervision are essential for proper operation and to reduce the risk of accident or injury. A high probability of serious injury exists if this system is not installed, maintained, and operated properly.

- If using a ladder during assembly, use extreme caution.
- Check base regularly for leakage. Slow leaks could cause the system to tip over unexpectedly
- Seat the pole sections properly (if applicable). Failure to do so could allow the pole sections to separate during play and/or during transport of the system.
- Climate, corrosion or misuse could result in system failure.
- If technical assistance is required, contact Customer Service.
- Minimum operational height is 4'-6" (1.37m) to the bottom of backboard.

*Most injuries are caused by misuse and/or not following instructions.
Use caution when using this unit.*

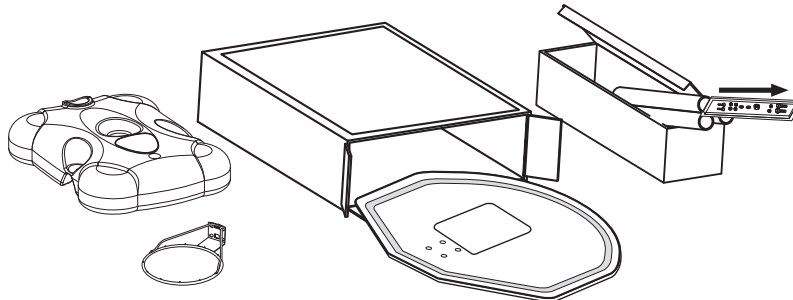
NOTICE TO ASSEMBLERS

**Adult Assembly Required. Dispose of ALL packaging materials promptly. As with all children's products, periodically inspect for loose small parts.
Assembled unit MUST be filled with water at ALL times.**

ALL basketball systems, including those used for DISPLAYS, MUST be assembled and ballasted with sand or water according to instructions. Failure to follow instructions could result in SERIOUS INJURY. It is NOT acceptable to devise a makeshift weight system.

IMPORTANT!

**Remove all contents from boxes.
Be sure to check inside pole sections;
hardware and additional parts are packed inside.**



Questions or Missing Parts?

DON'T go back to store!

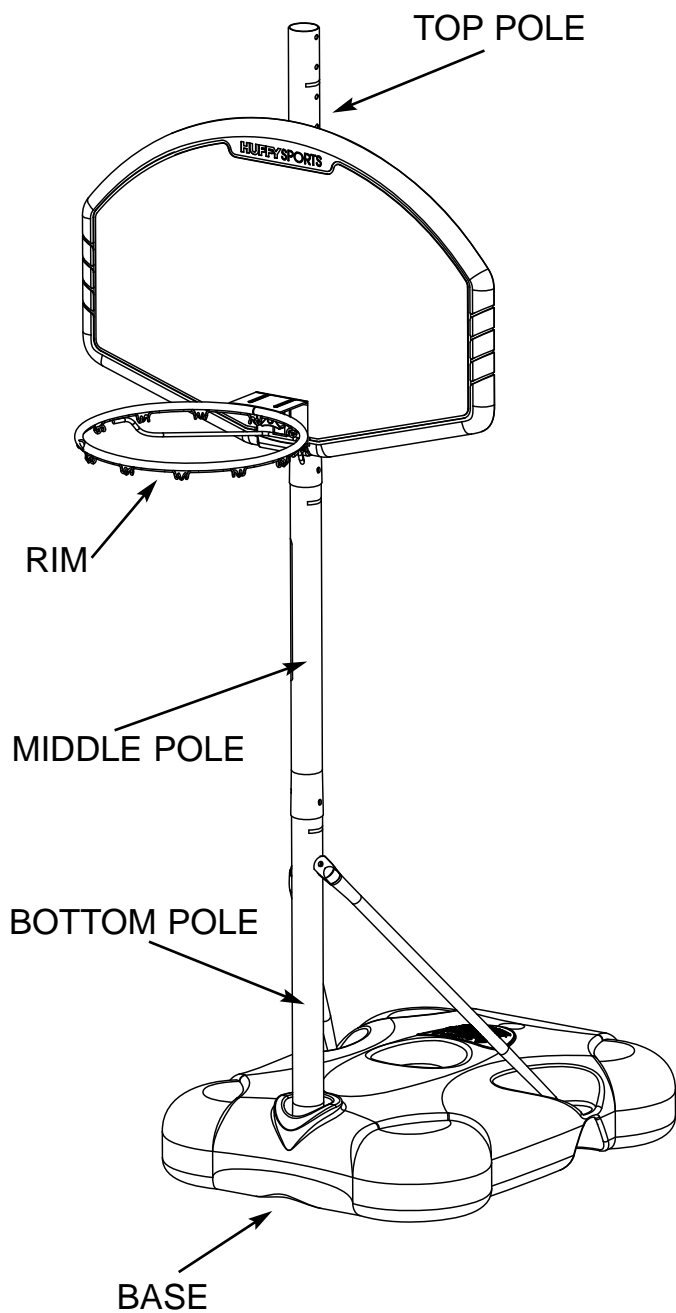
**Call TOLL-FREE Customer Service
Number listed on the front page!**

WARRANTY CARD:

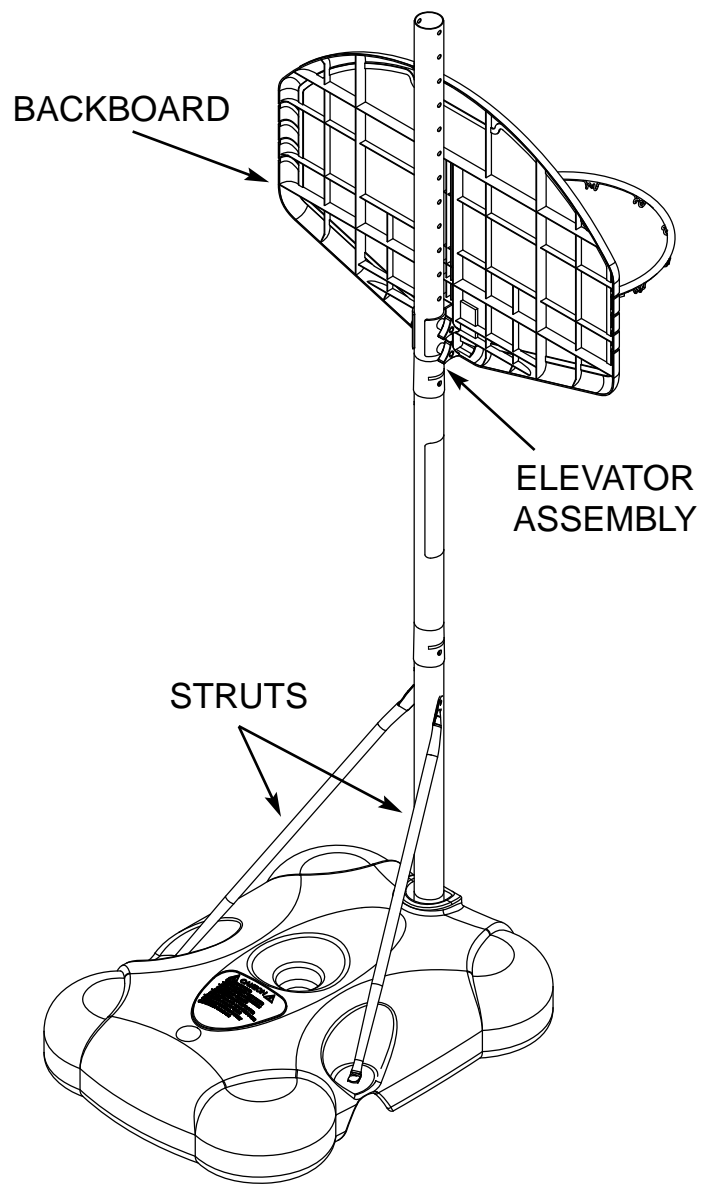
Please remember to complete your product registration form either on-line at:
www.huffysports.com/customer_support/product_registration
or mail-in the enclosed postcard.

Get to know the basic parts of your basketball system...

FRONT



BACK

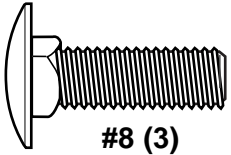


PARTS LIST

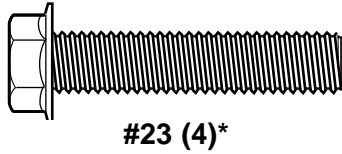
<input checked="" type="checkbox"/>	<u>Item</u>	<u>Qty.</u>	<u>Part No.</u>	<u>Description</u>
<input type="checkbox"/>	1	1	20664903	Tank (Black)
<input type="checkbox"/>	2	1	FR908130	Top Pole Section
<input type="checkbox"/>	3	1	FR908133	Middle Pole Section with Label
<input type="checkbox"/>	4	1	FR908132	Bottom Pole Section
<input type="checkbox"/>	5	1	203099	Nut, Ny-Lock, 5/16-18
<input type="checkbox"/>	6	1		Net
<input type="checkbox"/>	7	1	20378701	Cap, Pole
<input type="checkbox"/>	8	3	203223	Bolt, Carriage, 5/16-18 x 1" Long
<input type="checkbox"/>	9	1	203617	Cap, Tank
<input type="checkbox"/>	10	1	203740	Bolt, Hex, 5/16-18 x 2.63" Long
<input type="checkbox"/>	11	2	201344	Knob, Plastic, 3-sided
<input type="checkbox"/>	12	1		Rim
<input type="checkbox"/>	13	1		Backboard
<input type="checkbox"/>	14	1	908134	Backboard Mounting Bracket
<input type="checkbox"/>	15	1	908129	Rim Bracket
<input type="checkbox"/>	16	2	203739	Bolt, Carriage 5/16-18 x 3.25" Long
<input type="checkbox"/>	17	4*	203218	Washer, Flat, 5/16
<input type="checkbox"/>	18	1	203309	Washer, Flat, 1.0" O.D.
<input type="checkbox"/>	19	1	203679	Bolt, Hex, 3/8-16 x 2" Long
<input type="checkbox"/>	20	3*	203100	Nut, Flange, 5/16-18
<input type="checkbox"/>	21	1	900454	Strut, Left
<input type="checkbox"/>	22	1	900255	Strut, Right
<input type="checkbox"/>	23	4*	203798	Bolt, Hex-Flange, 5/16-18 x 1.5" Long

* You may have extra parts with this model.

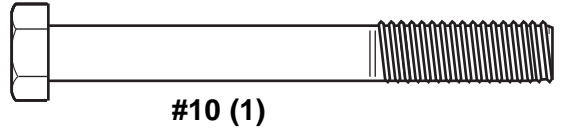
PARTS IDENTIFIER - Actual Size



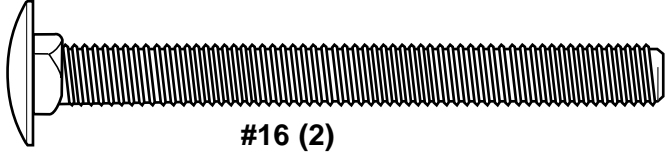
#8 (3)



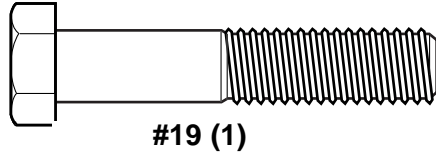
#23 (4)*



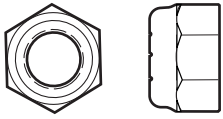
#10 (1)



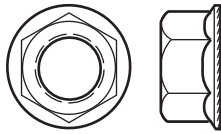
#16 (2)



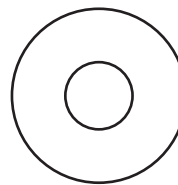
#19 (1)



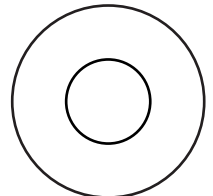
#5 (1)



#20 (3)*

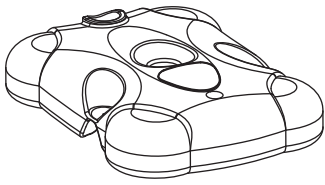


#17 (4)*

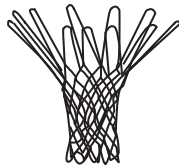


#18 (1)

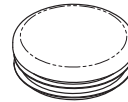
PARTS IDENTIFIER - Not Actual Size



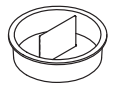
#1 (1)



#6 (1)



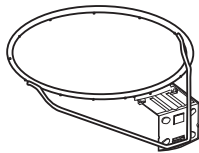
#7 (1)



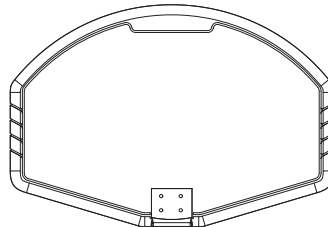
#9 (1)



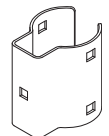
#11 (2)



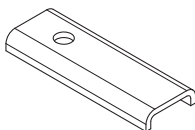
#12 (1)



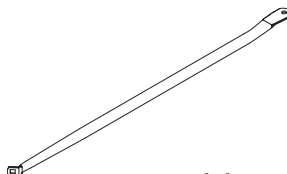
#13 (1)



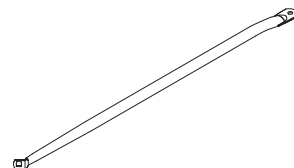
#14 (1)



#15 (1)



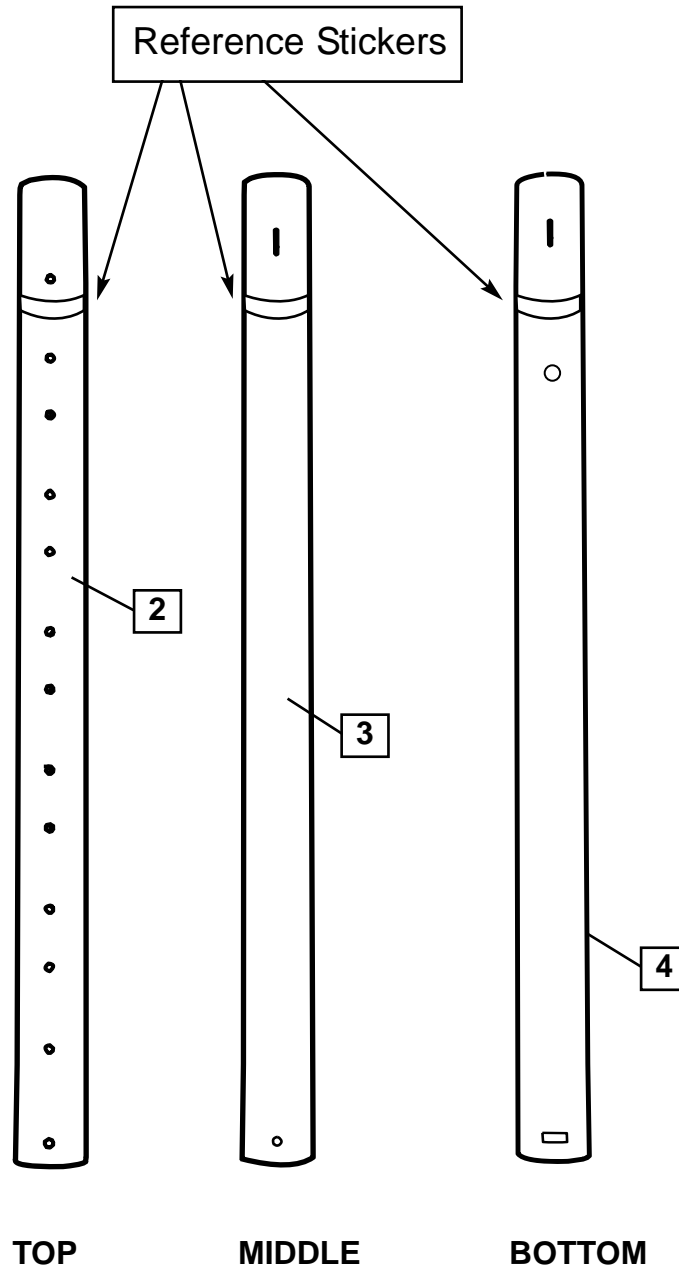
#21 (1)



#22 (1)

SECTION A: ASSEMBLE THE POLES

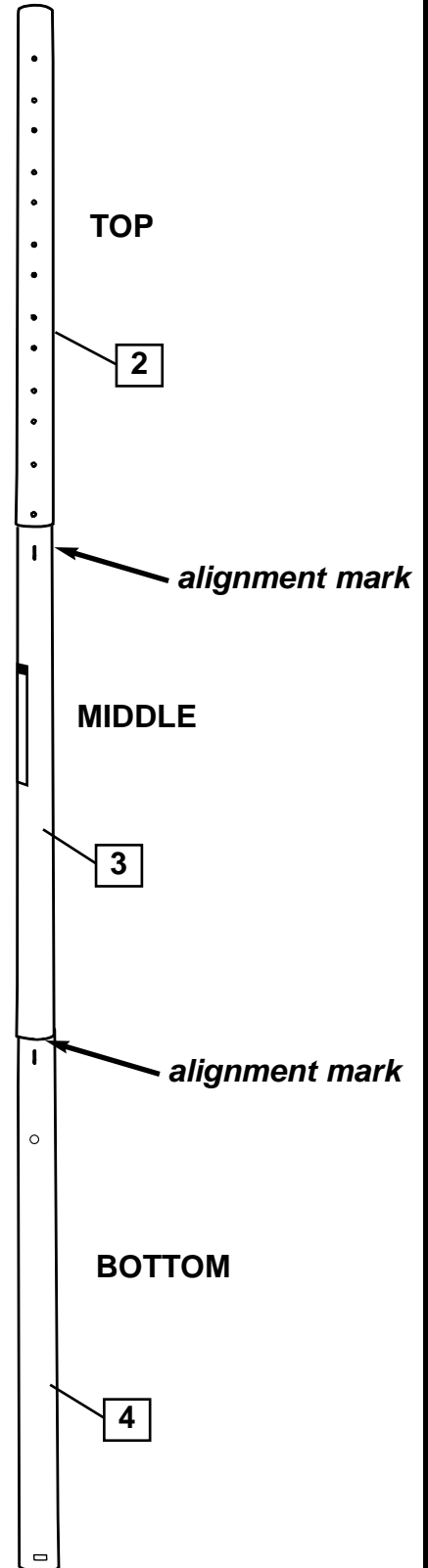
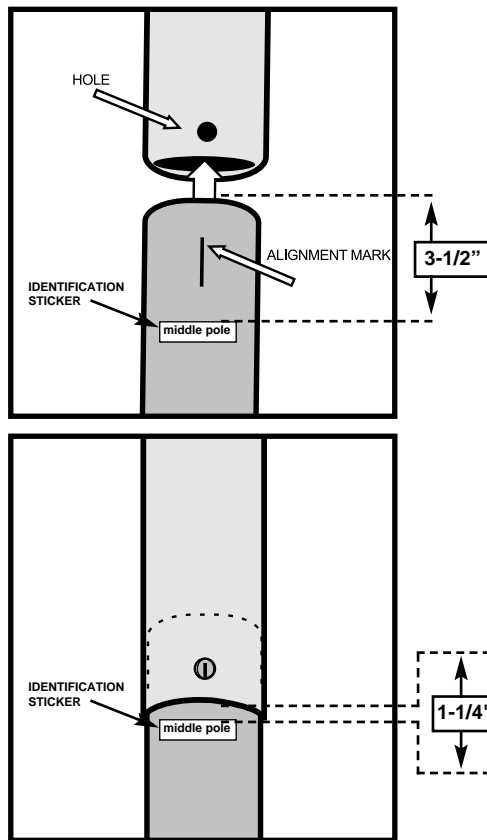
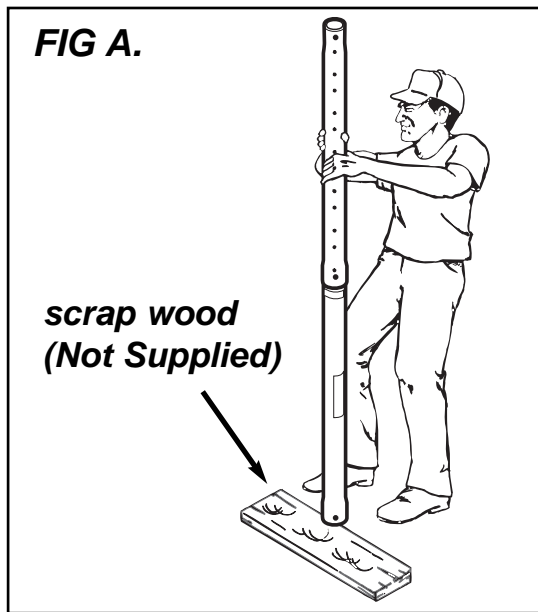
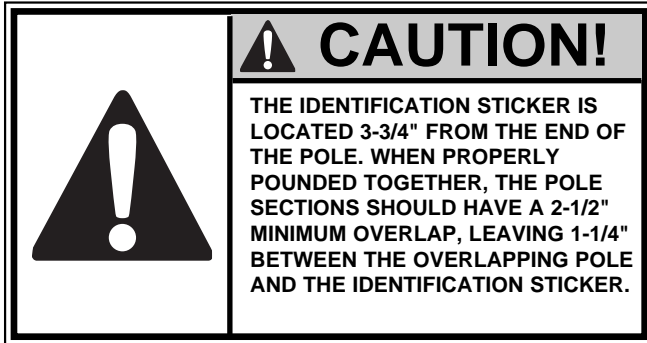
1. Correctly identify each pole section. Poles have an identification sticker that will be used as a reference point in the next step.



IMPORTANT!

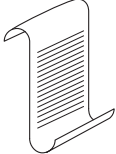
ONCE POLE SECTIONS ARE POUNDED TOGETHER - THEY CANNOT BE TAKEN APART

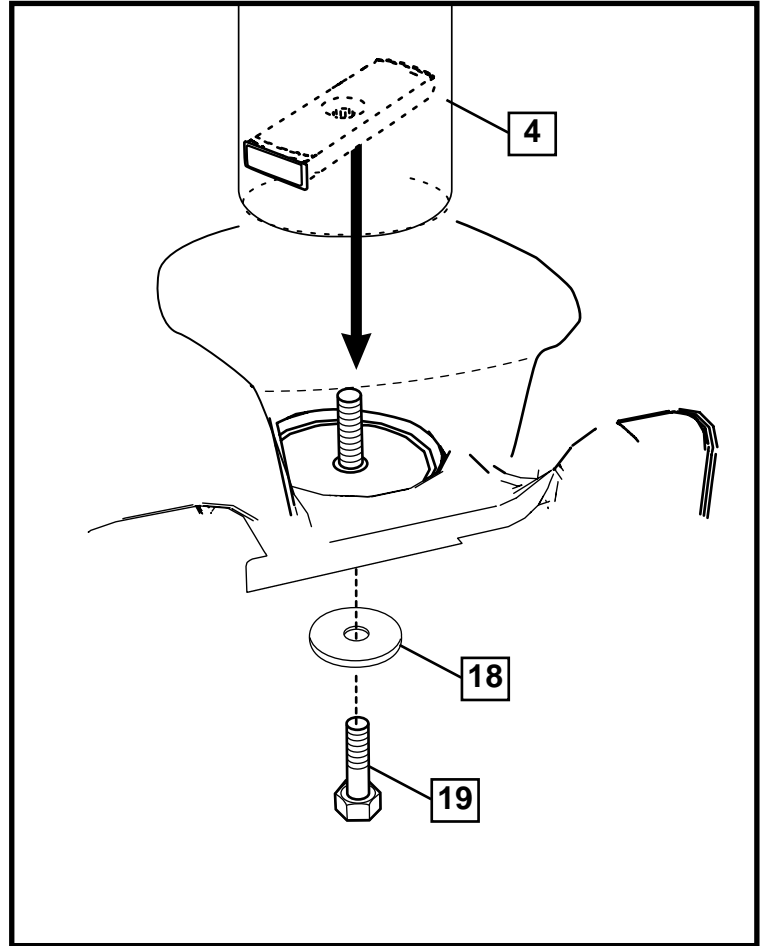
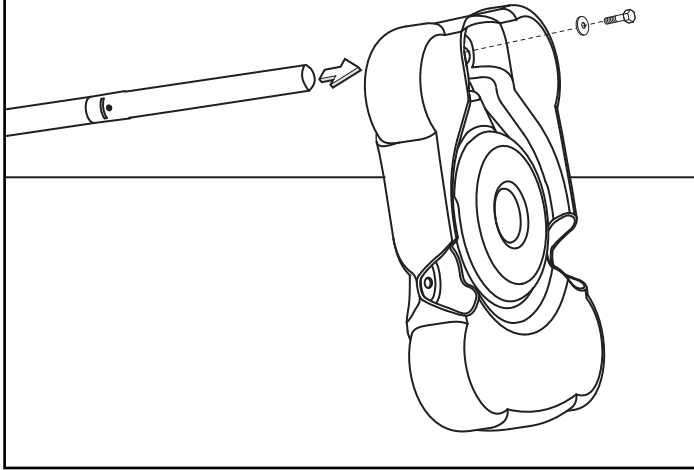
2. Align poles using **alignment marks**. First, pound top and middle poles together by bouncing them on a scrap piece of wood on the ground as shown in **FIG A.** until they no longer move toward pole identification stickers. **THEN** add bottom pole section and pound together in the same way.




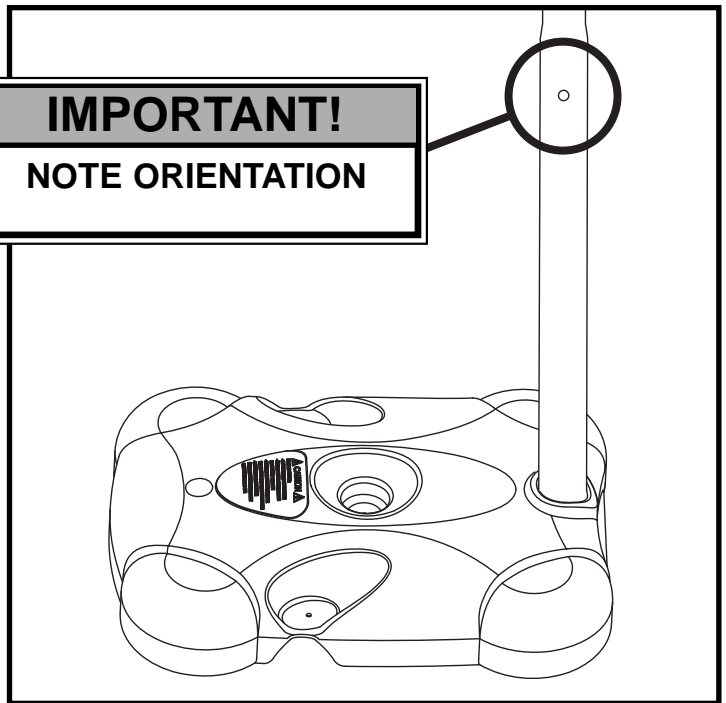
3.


Attach pole assembly to tank as shown. Secure pole assembly to tank by turning the pole assembly clockwise as shown.

 **NOTE:**
CAREFULLY TIPPING THE SYSTEM FORWARD WILL ALLOW EASIER ACCESS TO UNDERSIDE OF BASE.



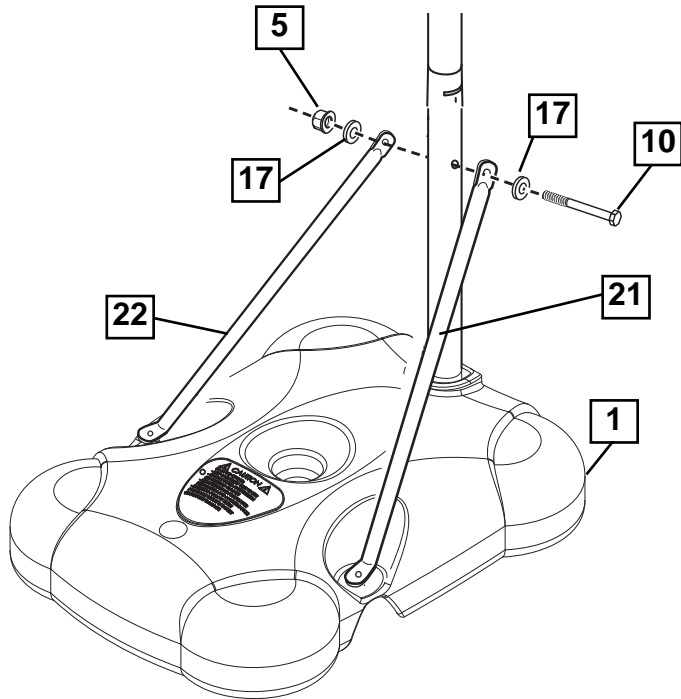
 **IMPORTANT!**
NOTE ORIENTATION



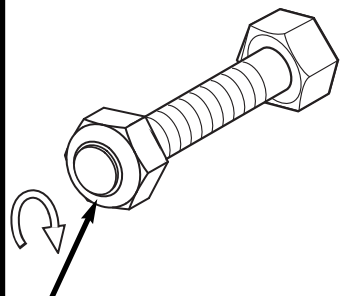
 **WARNING!**
TWO CAPABLE ADULTS REQUIRED FOR THIS PROCEDURE. FAILURE TO FOLLOW THIS WARNING COULD RESULT IN SERIOUS INJURY AND/OR PROPERTY DAMAGE.

4.

Secure tank struts (21 & 22) to pole.



! WARNING!

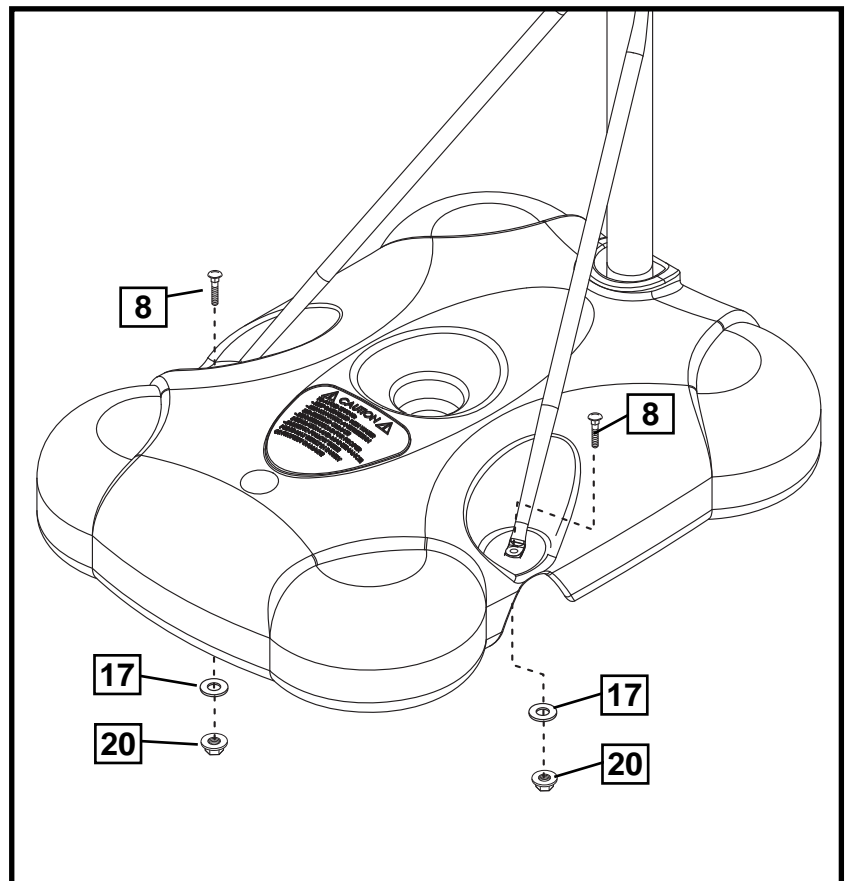
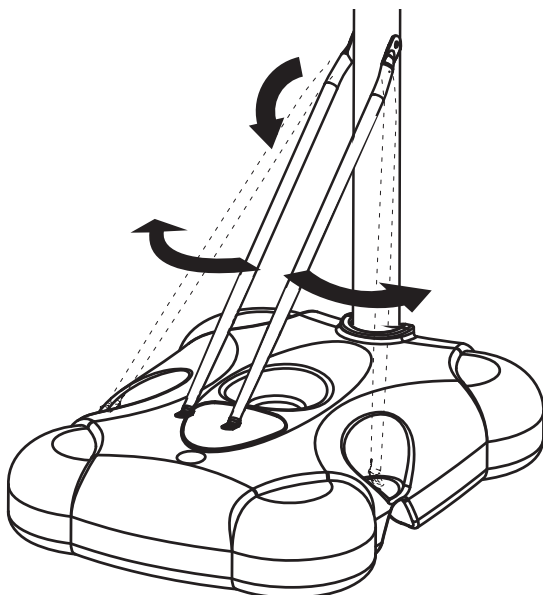


TIGHTEN BOLT (10) IN LOCK NUT (5) UNTIL FLUSH (EVEN) WITH LOCK NUT'S OUTER EDGE.

FAILURE TO FOLLOW THIS WARNING COULD RESULT IN SERIOUS INJURY AND/OR PROPERTY DAMAGE.

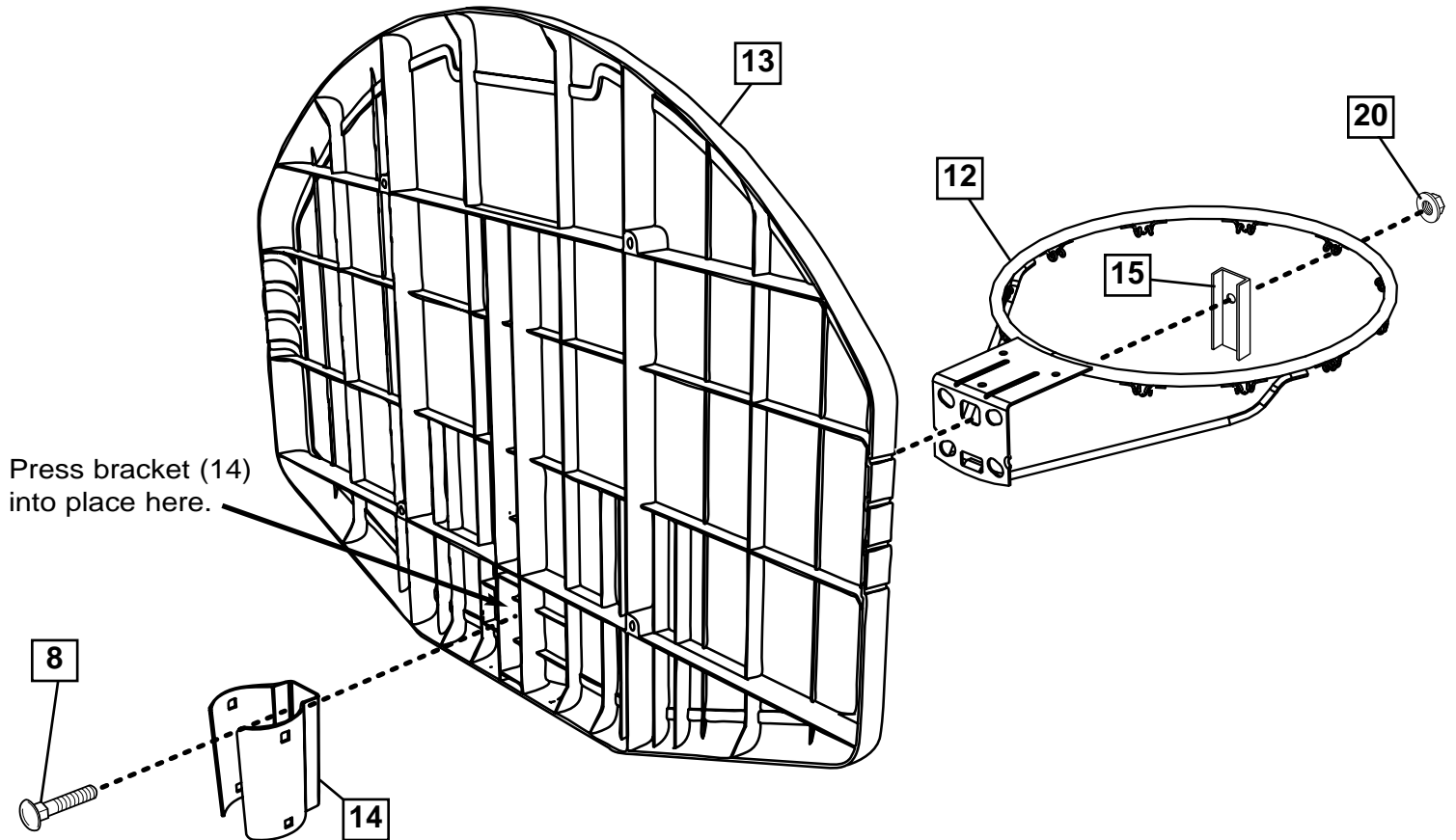
5.

Rotate struts down and bend struts outward to line up with holes on base as shown. Secure free ends of tank struts to tank with carriage bolt (8), and nut (20) as shown. Repeat for other side.

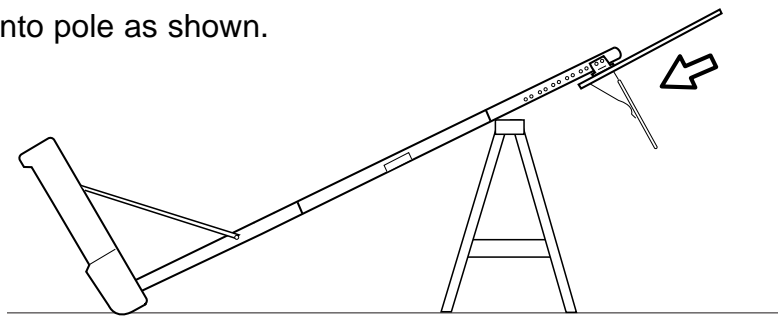


6.

Pole bracket will need to be lightly pressed into backboard ribbing. Be sure to press completely into place. Attach rim to backboard and pole bracket (14) with nut (20), reinforcement bracket (15), and carriage bolt (8) as shown. Tighten nut completely.

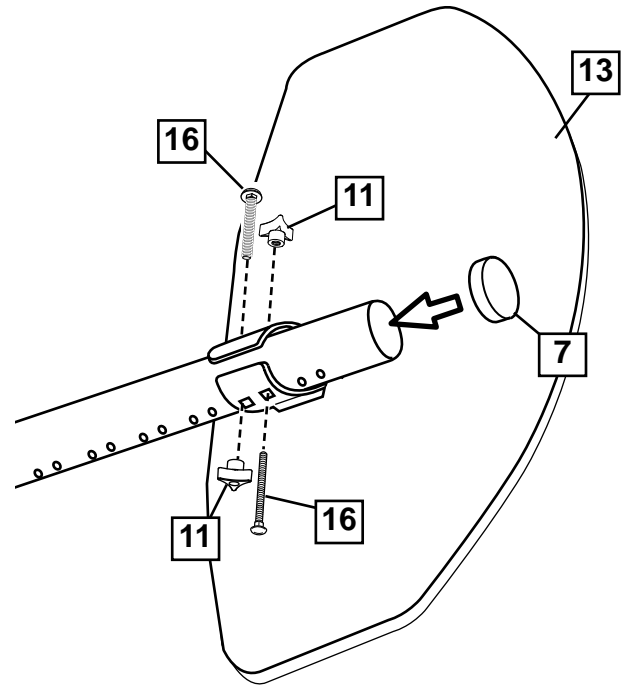


Carefully tip unit forward and slide backboard assembly onto pole as shown.



SAWHORSE OR SUPPORT TABLE

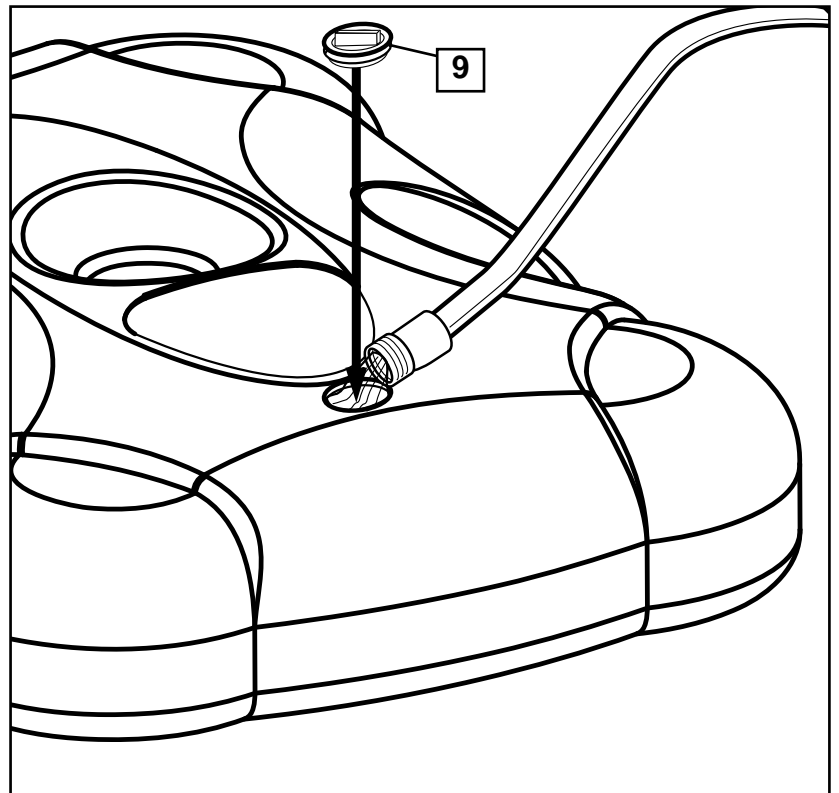
7. Attach board assembly to pole with carriage bolts (16) and knobs (11) as shown. Install pole cap (7) as shown.



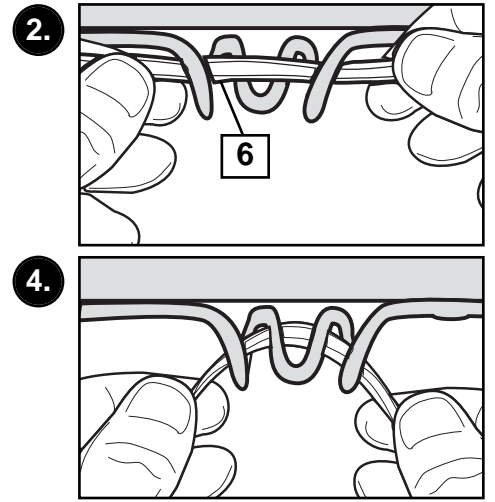
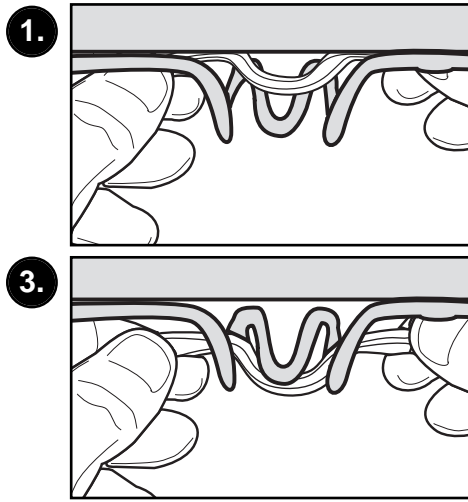
8. Place assembled unit in desired location. Fill tank completely with water (14 gallons / 53 liters) or sand (approx. 170 lb./77 kg) and snap tank cap (9) in place.

	CAUTION! ADD ONE GALLON (3.78 LITERS) OF NON-TOXIC ANTIFREEZE IN SUB-FREEZING CLIMATES.
--	---

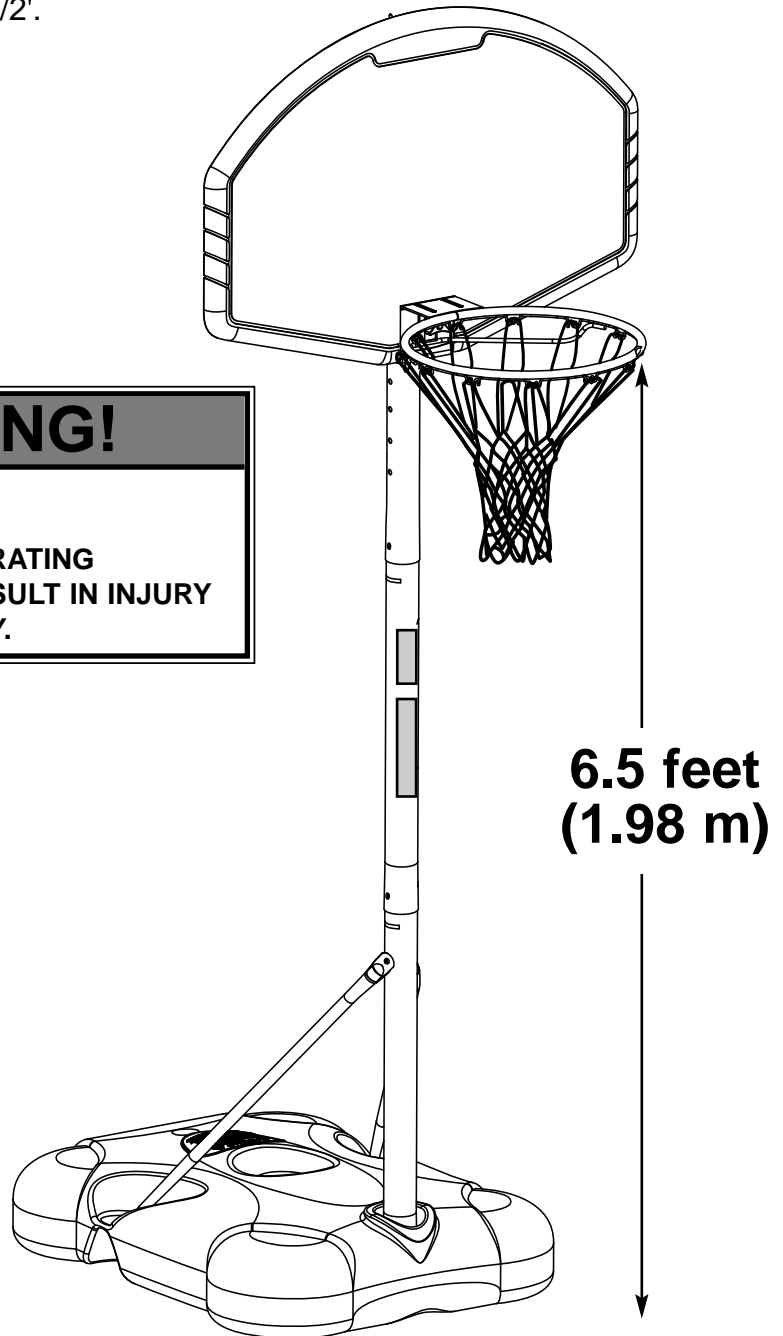
	NOTE: <i>IF USING SAND:</i> 1 GALLON OF ANTI-FREEZE IS NOT REQUIRED
--	---



9. Install net (6).



10. Height adjustment from 4-1/2' - 6-1/2'.



		WARNING!
	READ AND UNDERSTAND	
	FAILURE TO FOLLOW OPERATING INSTRUCTIONS COULD RESULT IN INJURY OR DAMAGE TO PROPERTY.	

Ce manuel, accompagné du justificatif d'achat, devra être conservé pour référence ultérieure, dans la mesure où il contient des informations importantes sur votre modèle.

Diese Anleitung sollte zusammen mit dem Kaufbeleg griffbereit aufbewahrt werden, da sie wichtige Informationen über Ihr Modell enthält.

Il presente manuale, accompagnato dallo scontrino, deve essere conservato e tenuto a portata di mano come documento di facile consultazione, in quanto contiene informazioni importanti su questo modello.

Debe conservar este manual junto con el recibo de la compra y tenerlos disponibles como conveniente referencia, ya que contienen información importante sobre su modelo.

FRANÇAIS
DEUTSCH
ESPAÑOL
ITALIANO



European Technical File:
De Ruyumbeke
20 Bd Bourre
13008 Marseille, France



**AVERTISSEMENT !
WARNING!
¡ADVERTENCIA!**

INTERDIT AUX ENFANTS DE MOINS 3 ANS EN RAISON DE PIÈCES DE PETITE TAILLE/D'UN DANGER D'ÉTOUFFEMENT.

WEGEN KLEINTEILEN/ERSTICKUNGSGEFAHR NICHT FÜR KINDER UNTER DREI JAHREN GEEIGNET.

NO ES ADECUADO PARA NIÑOS MENORES DE TRES AÑOS DE EDAD DEBIDO A QUE CONTIENE PIEZAS PEQUEÑAS QUE REPRESENTAN UN RIESGO DE ASFIXIA.

NON IDONEO A BAMBINI DI ETÀ INFERIORE AI 3 ANNI, A CAUSA DEL PERICOLO DI SOFFOCAMENTO DOVUTO ALLA PRESENZA DI PEZZI DI DIMENSIONI RIDOTTE.



**AVERTISSEMENT !
WARNING!
¡ADVERTENCIA!
AVVERTENZA!**



LISEZ CE MANUEL D'UTILISATION AVANT D'UTILISER CET APPAREIL

SOUS PEINE DE BLESSURES OU DE DÉGÂTS MATÉRIELS.

DAS BENUTZERHANDBUCH VOR GEBRAUCH DIESES PRODUKTS SORGFÄLTIG DURCHLESEN.

EIN MISSACHTEN DIESER BETRIEBSANLEITUNG KANN VERLETZUNGEN ODER SACHSCHÄDEN ZUR FOLGE HABEN.

LEA Y ENTIENDA EL MANUAL DEL OPERADOR ANTES DE USAR ESTA UNIDAD.

SI NO SE SIGUEN LAS INSTRUCCIONES DE OPERACIÓN SE PODRÍA OCASIONAR UNA LESIÓN O DAÑOS A LA PROPIEDAD.

PRIMA DI USARE IL SISTEMA, LEGGERE IL MANUALE DI ISTRUZIONI FINO A COMPRENDERLO A FONDO.

L'INOSSERVANZA DELLE ISTRUZIONI POTREBBE TRADURSI IN GRAVI INFORTUNI E/O DANNI ALLE COSE.

Systeme portable - Manuel de l'utilisateur

Service clientèle

• N53 W24700 South Corporate Circle • Sussex, WI 53089 • É.-U.

Gebrauchsanleitung für tragbare Systeme

Kundendienstzentrale

• N53 W24700 South Corporate Circle • Sussex, WI 53089 • U.S.A.

Manual del Propietario del Sistema Portátil

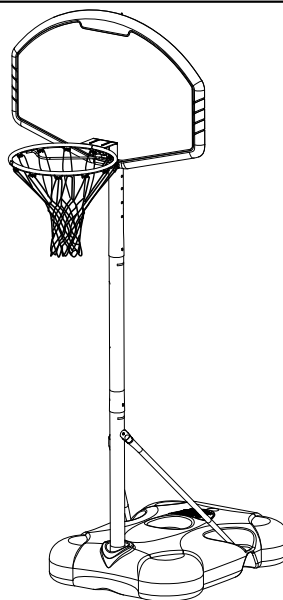
Centro de Servicio al Cliente

• N53 W24700 South Corporate Circle • Sussex, WI 53089 • EE.UU.

Manuale di istruzioni del sistema portatile

Centro assistenza alla clientela

• N53 W24700 South Corporate Circle • Sussex, WI 53089 • EE.UU.



Numéro vert du Service clientèle - États-Unis : 1-800-558-5234, Canada : 1-800-2284-8339,

Europe : 00 800 555 85234 (Suède : 009 555 85234), Australie : 1-800-632 7921 Adresse Internet : <http://www.huffysports.com>

Gebührenfreie Telefonnummer für die USA: 1-800-558-5234, für Kanada: 1-800-284-8339, für Europa: 00 800 555 85234 (Schweden: 009 555 85234), für Australien: 1-800-632 7921 Internet-Adresse: <http://www.huffysports.com>




Número telefónico sin costo del Departamento de Servicio al Cliente en EE.UU.: 1-800-558-5234,

Para Canadá: 1-800-284-8339, Para Europa: 00 800 555 85234 (Suecia: 009 555 85234), Para Australia: 1-800-632 7921 Dirección en Internet: <http://www.huffysports.com>

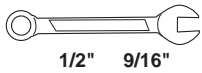
Numero verde per chi chiama dagli U.S.A.: 1-800-558-5234, per il Canada: 1-800-284-8339,

Per l'Europa: 00 800 555 85234 (Svezia: 009 555 85234) Per l'Australia: 1-800-333 061 Su Internet: <http://www.huffysports.com>

OUTILS ET MATÉRIEL REQUIS:

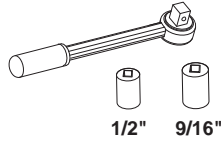
-  • Deux (2) adultes capables
-  • Planche en bois (chute)
-  • Chevalet de sciage ou table

- Deux clés et/ou clés à douilles et deux douilles (douilles longues recommandées).



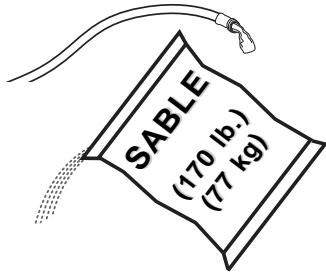
1/2" 9/16"

ET/OU



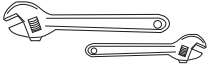
1/2" 9/16"

- Tuyau d'arrosage ou sable






OUTILS ET MATÉRIEL FACULTATIFS:

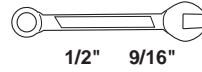
- Petites et grandes clés anglaises



BENÖTIGTE WERKZEUGE UND MATERIALIEN:

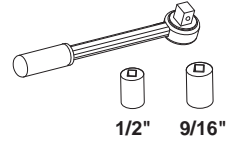
-  • Zwei (2) zur Ausführung dieser Arbeit fähige Erwachsene
-  • Holzstück (Ausschuß)
-  • Sägebock oder Stütztisch

- (je 2) Schrauben - und/oder Steckschlüssel (tiefe Einsätze empfohlen).



1/2" 9/16"

UND/ODER



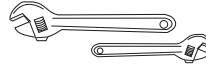
1/2" 9/16"

- Gartenschlauch oder Sand






WEITERE NÜTZLICHE WERKZEUGE UND MATERIALIEN:

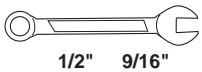
- Große und kleine verstellbare Schraubenschlüssel



HERRAMIENTAS Y MATERIALES REQUERIDOS:

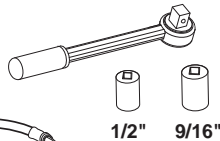
-  • Dos (2) adultos capaces
-  • Tabla de madera (un trozo)
-  • Caballete o mesa de apoyo

- (2 de cada una) llaves de tuercas y/o llaves de tuercas de boca tubular y casquillos (se recomiendan casquillos profundos).



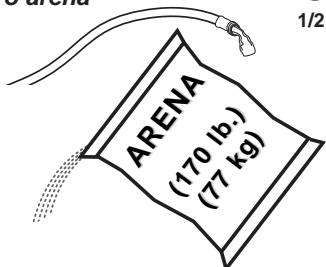
1/2" 9/16"

Y/O



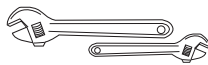
1/2" 9/16"

- Manguera de jardín o arena






HERRAMIENTAS Y MATERIALES OPCIONALES:

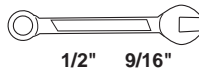
- Llaves de tuercas ajustables grandes y pequeñas



MATERIALI NECESSARI:

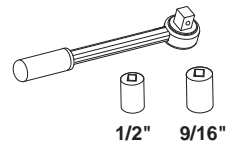
-  • Due (2) adulti abili
-  • Tavoletta di legno
-  • Cavalletto o tavolo di appoggio

- (2) chiavi e/o chiavi a bussola e bussole



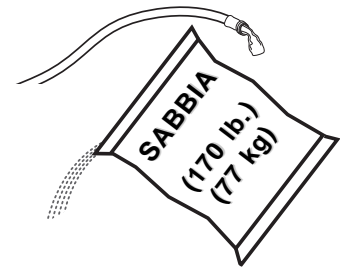
1/2" 9/16"

E/O



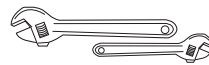
1/2" 9/16"

- Canna da giardino o sabbia



UTENSILI E MATERIALI OPZIONALI:

- Chiavi inglesi grande e piccola



AVERTISSEMENT

Lisez les avertissements indiqués ci-dessous avant d'utiliser ce produit, sous peine d'encourir des blessures graves et/ou des dégâts matériels.

Le propriétaire doit s'assurer que tous les joueurs connaissent et suivent ces règles d'utilisation sûre du système.

- **NE VOUS SUSPENDEZ PAS** sur le cerceau ou sur une autre partie du système, y compris le panneau, les supports ou le filet.
- Durant le jeu, en particulier lorsque vous faites un smash, gardez le visage à l'écart du panneau, du cerceau et du filet. Risque de blessures graves si les dents ou le visage viennent heurter le panneau, le cerceau ou le filet.
- Ne glissez et ne montez pas sur le socle et/ou le poteau, ne les secouez pas et ne jouez pas dessus.
- Une fois le montage terminé, remplissez complètement le système d'eau ou de sable. Ne laissez jamais le système à la verticale sans lester le socle, car le système risque de basculer et de causer des blessures.
- Lorsque vous réglez la hauteur ou que vous déplacez le système, gardez les mains et les doigts à l'écart des pièces en mouvement.
- Interdisez aux enfants de déplacer ou de régler le système.
- Avant le jeu, retirez vos bijoux (bagues, montres, colliers, etc.). Ces objets peuvent se prendre dans le filet.
- La surface située sous le socle doit être lisse, sans gravier ou autres objets coupants. Les perforations causent des fuites et risquent de faire basculer le système.
- Maintenez les substances organiques à l'écart du socle du poteau. L'herbe, les ordures, etc. risquent de causer la corrosion et/ou la détérioration du système.
- Vérifiez l'état du système (signes de corrosion comme rouille, piqûres, écaillage) et repeignez avec de la peinture email pour extérieur. Si de la rouille a piqué l'acier en tout point, remplacez immédiatement le poteau.
- Vérifiez le système avant chaque utilisation (lest, visserie mal serrée, usure excessive et signes de corrosion) et réparez avant utilisation.
- Vérifiez la stabilité du système avant chaque utilisation.
- N'utilisez pas le système les jours de vent fort et/ou de tempête ; le système risque de se renverser. Placez le système dans sa position de stockage et/ou dans un lieu protégé du vent et loin de biens personnels et/ou câbles suspendus.
- Ne jouez jamais sur du matériel abîmé.
- Lorsque vous déplacez le système, soyez prudent pour empêcher le mécanisme de se déséquilibrer.

SPALDING
HUNTERVILLE, IN 46038-0239
AU CANADA 1-800-384-6239

RUSSELL ATHLETIC
HUNTERVILLE, IN 46038-0239

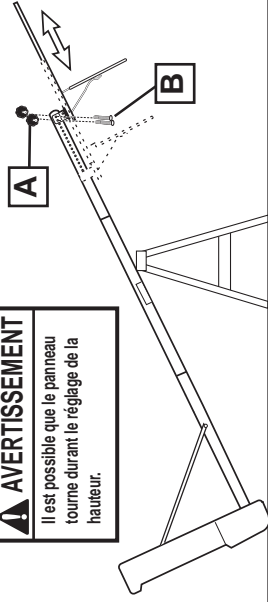
HYDRA-RIB
AU CANADA 1-800-384-6239

HUFFY SPORTS
HUNTERVILLE, IN 46038-0239

RÉGLAGE DE LA HAUTEUR

Posez l'ensemble sur une table. Retirez les boutons de réglage (A) et les boulons ordinaires (B) pour allonger ou rétrécir le panneau et le cerceau. Réglage de la hauteur entre 1,37 m et 1,98 m.

AVERTISSEMENT
Il est possible que le panneau tourne durant le réglage de la hauteur.



AVERTISSEMENT

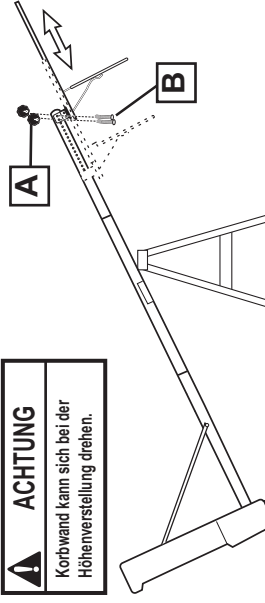
Ne réglez pas la hauteur avec le système à la verticale. Pour cette opération, le système doit être allongé.

FR558170 11/05

HÖHENEINSTELLUNG

Die Vorrichtung auf einem Stütztafel ablegen. Die Einstellknopfregler (A) und Schlossschrauben (B) entfernen, um Korborwand und Korborand zu verlängern oder zu verkürzen. Höhenverstellung zwischen 1,37 m (4,5') und 1,98 m (6,5').

ACHTUNG
Korborwand kann sich bei der Höhenverstellung drehen.



ACHTUNG

Die Höhe nicht bei aufrecht stehendem System einstellen. Das System muss für die Höhenverstellung auf dem Boden liegen.

GE-558170 07/05

ACHTUNG

Vor Gebrauch dieses Produkts die nachstehenden Warnhinweise lesen und beachten.

Ein Missgeschick dieser Warnung kann zu schweren Verletzungen und/oder Sachschäden führen!

Der Eigentümer muss sicherstellen, dass alle Spieler diese Regeln für einen sicheren Betrieb des Systems kennen und befolgen.

- NICHT am Korborand oder irgendeinem anderen Teil des Systems, einschli. Korborwand, Stützstreben oder Netz HÄNGEN.
- Während des Spielbetriebs, besonders bei Slam-Dunk-Manövern, müssen die Spieler ihr Gesicht von Korborwand, Korborand und Netz fern halten. Der Kontakt von Zähnen/Gesicht mit der Korborwand, dem Korborand oder dem Netz kann schwere Verletzungen zur Folge haben.
- Nicht auf dem Sockel und/oder der Stange herumrutschen, klettern, daran rütteln oder damit spielen.
- Nach dem Zusammenbau das System ganz mit Wasser oder Sand füllen. Das System niemals in aufrechter Position stehen lassen, ohne den Sockel zu beschweren, da es andernfalls umkippen und Verletzungen verursachen kann.
- Beim Einstellen der Höhe oder beim Transport des Systems Hände und Finger von beweglichen Teilen fern halten.
- Kindern darf das Verschieben oder Einstellen des Systems nicht gestattet werden.
- Beim Spielen keinen Schminck (Rings, Armbänder, etc., Halsketten usw.) tragen. Gegenstände dieser Art können sich im Netz verfangen.
- Die Oberfläche unter dem Sockel muss glatt und frei von Kies oder anderen scharfkantigen Gegenständen sein. Löcher verursachen Lecks und können ein Umkippen des Systems zur Folge haben.
- Organische Materialien vom Stangensockel fern halten. Gras, Abfälle usw. können Korrosion und/oder Abbauerscheinungen verursachen.
- Das Stangensystem auf Anzeichen von Korrosion (Rost, Nebenbildung, Abblättern) untersuchen und mit Emailaußenfarbe neu lackieren. Wenn sich an irgendeiner Stelle Rost durch den Stahl hindurch gefressen hat, muss die Stelle sofort ersetzt werden.
- Das System vor jeder Benutzung auf den richtigen Ballast, lose Befestigungsteile, übermäßige Abnutzungserscheinungen und Anzeichen von Korrosion untersuchen; vor jedem Einsatz entsprechende Korrekturmaßnahmen bzw. Reparaturen durchführen.
- Die Stabilität des Systems vor jedem Gebrauch überprüfen.
- Das System nicht bei windigen und/oder unwirklichen Witterungsverhältnissen benutzen, da es unter diesen Umständen umkippen kann. Das System in seine Lagerposition versetzen und/oder in einen windgeschützten Bereich bringen, in dem sich weder Sachwerte noch oberirdische Kabel befinden.
- Niemals an bzw. mit einer beschädigten Ausrüstung spielen.
- Beim Transport des Systems darauf achten, dass sich der Mechanismus nicht verschiebt.
- Das obere Stangenende muss jederzeit mit einer Kappe abgedeckt sein.
- Das Wasser im Tank darf keinesfalls gefrieren. Bei Gefrieremperaturen den Tank mit 7,5 l eines ungiftigen Gefrierschutzmittels oder Sand füllen oder ihn völlig entleeren und lagern. (Kein Salz verwenden.)
- Beim Verschieben des Systems darf niemand auf dem Sockel stehen oder sitzen oder diesen mit zusätzlichem Ballast beschwert haben.
- Das System nicht unbeaufsichtigt lassen oder damit spielen, wenn die Räder zum Transport eingestellt sind.
- Beim Transport des Geräts über unebene Flächen vorsichtig vorgehen. Das System kann umkippen.
- Beim Aufstellen des Systems auf einer geneigten Fläche mit großer Vorsicht vorgehen. Das System kann unter diesen Bedingungen leichter umkippen.
- Die ordnungsgemäße Installation und Wartung ist dem Gebrauchshandbuch zu entnehmen.

SPALDING
HUNTERVILLE, IN 46038-0239
AU CANADA 1-800-384-6239

RUSSELL ATHLETIC
HUNTERVILLE, IN 46038-0239

HYDRA-RIB
AU CANADA 1-800-384-6239

HUFFY SPORTS
HUNTERVILLE, IN 46038-0239

ADVERTENCIA

Lea y entienda las advertencias que se dan en este manual y continúe antes de usar este producto.

Si no se observan estas advertencias se podrían causar lesiones graves y/o daños materiales.

El propietario debe asegurarse de que todos los jugadores conozcan y obedezcan estas reglas para la operación segura del sistema.

- **NO SE CUELQUE** del borde ni de ninguna parte del sistema, inclusive el respaldo, las abrazaderas de apoyo y la red.
- Durante el juego, especialmente cuando se realizan actividades de tipo clavada (dunk), el jugador debe mantener la cara alejada del respaldo, el borde y la red. Si los dientes o la cara entran en contacto con el respaldo, el borde o la red, se puede sufrir una lesión grave.
- No se deslice, suba, sacuda ni juegue en la base y/o en poste.
- Cuando complete el montaje, llene completamente el sistema con agua o arena. Nunca deje el sistema en posición vertical sin llenar la base con un peso, ya que el sistema se podría caer y causar lesiones.
- Al ajustar la altura o mover el sistema mantenga las manos y los dedos alejados de las partes móviles.
- No permita que los niños muevan o ajusten el sistema.
- Durante el juego, no use joyería (anillos, relojes, collares, etc.). Estos objetos se podrían atorar en la red.
- La superficie debajo de la base se debe mantener lisa y sin grava ni otros objetos filosos. Las perforaciones pueden causar fugas y provocar que el sistema se caiga.
- Mantenga los materiales orgánicos alejados de la base del poste. El césped, la basura, etc. podrían causar corrosión y/o deterioro de la base del poste.
- Revise que el sistema del poste no tenga señales de corrosión (oxidación, picaduras, desconchaduras) y si las tiene vuelva a pintar con pintura de esmalte para exteriores. Si la corrosión penetró a través del acero en cualquier área, reemplácelo inmediatamente el poste.
- Antes de cada uso revise el sistema para verificar que esté adecuadamente equilibrado, que no tenga herraje suelto, desgaste excesivo ni signos de corrosión, y réparelo si es necesario.
- Verifique la estabilidad del sistema antes de cada uso.
- NO use el sistema durante condiciones climáticas severas y/o con mucho viento, ya que el sistema se podría caer. Coloque el sistema en posición de almacenamiento y/o en un área protegida del viento y sin propiedad personal y/o cables suspendidos.
- Nunca juegue en equipo dañado.
- Cuando mueva el sistema, tenga cuidado para evitar que el mecanismo cambie de lugar.
- Siempre mantenga la parte superior del poste cubierta con la tapa.
- No permita que el agua del tanque se congele. En clima con temperaturas de congelamiento añada dos galones de anticongelante no tóxico, arena, o vacío completamente el tanque y almacénelo. (No use sal.)
- Al mover el sistema no permita que nadie se pare o sienta en la base o añada lastre adicional en la base.
- No deje el sistema sin supervisión ni juegue en el sistema cuando las ruedas estén embragadas para rodar.
- Tenga cuidado al mover el sistema sobre superficies irregulares. El sistema se podría ladear.
- Use extremo cuidado si va a colocar el sistema en una superficie inclinada. El sistema se podría caer más fácilmente.
- Consulte el manual de instrucciones para ver la instalación y el mantenimiento adecuados.

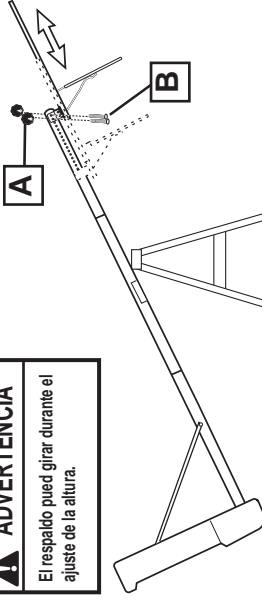
SPALDING
En Italia, 1900-2010
RUSSELL ATHLETIC
En Italia, 1900-2010
HYDRA-RIB
En Italia, 1900-2010
HUFFYSPORTS
En Italia, 1900-2010
N.º 010 7558200 0005

AJUSTE DE LA ALTURA

Coloque la unidad sobre la mesa de apoyo. Retire las perillas de ajuste (A) y los pernos cabeza de carro (B) para extender o retraer el respaldo y el borde. Ajuste de la altura de 4.5 a 6.5' (1.37 a 1.98 m).

ADVERTENCIA

El respaldo puede girar durante el ajuste de la altura.



ADVERTENCIA

No ajuste la altura del sistema mientras se encuentre en posición vertical. El sistema debe estar en posición horizontal para ajustarlo.

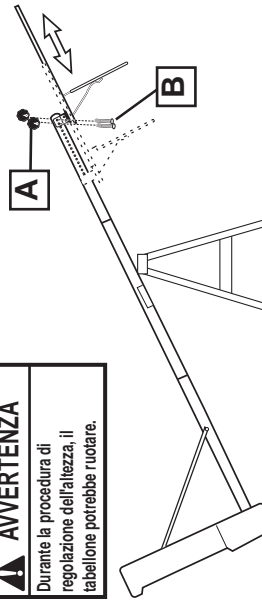
SP558170 07/05

REGOLAZIONE DELL'ALTEZZA

Poggiare il sistema sul tavolo di appoggio. Rimuovere le manopole di regolazione (A) e i bulloni a legno (B) per allungare o retrarre il tabellone e il cerchio. Regolazione dell'altezza del canestro da 1,37 m a 1,98 m.

ADVERTENCIA

Durante la procedura di regolazione dell'altezza, il tabellone potrebbe ruotare.



ADVERTENZA

Non regolare l'altezza del canestro con il sistema in posizione eretta. Per tale operazione, il sistema deve essere abbassato.

IT558170 07/05

ADVERTENZA

Prima di usare questo prodotto, leggere le avvertenze elencate di seguito fino a comprenderle a fondo.

L'insosservanza di queste avvertenze può tradursi in gravi infortuni ed danni alle persone.

Per garantire il funzionamento in sicurezza del sistema, il proprietario deve accertarsi che tutti i giocatori siano a conoscenza di queste regole e le rispettino.

- **NON AGGRAPPARSI** al cerchio o a qualsiasi parte del sistema compreso il tabellone, le staffe di sostegno e la rete.
- Durante il gioco, in particolare quando vengono eseguite delle attività di schiacciata della palla, il giocatore deve tenere il volto lontano dal tabellone, dal cerchio e dalla rete. Il contatto dei denti o del volto con il tabellone, con il cerchio o con la rete potrebbe tradursi in gravi infortuni.
- Non scivolare, saltare, scuotere né giocare sulla base e/o sul palo.
- Dopo aver completato la procedura di assemblaggio, riempire completamente il sistema con acqua o sabbia. Non lasciare mai il sistema in posizione verticale senza averne prima appesantito bene la base, altrimenti il sistema potrebbe rovesciarsi provocando infortuni.
- Mentre il sistema viene regolato in altezza o anche spostato, tenere le mani e le dita lontano dalle parti in movimento.
- Non permettere ai bambini di spostare né di regolare il sistema.
- Durante il gioco, non indossare gioielli (anelli, orologi, catene, ecc.). Tali oggetti potrebbero impigliarsi nella rete.
- La superficie sottostante alla base deve essere ben levigata e priva di ghiaietto od altri oggetti appuntiti. Eventuali forature della base provocano perdite che possono causare il rovesciamento del sistema.
- Tenere lontano dalla base del palo materiali organici, come erba, spazzatura, ecc., che potrebbero causare corrosione e/o deterioramento.
- Controllare il sistema del palo per eventuali segni di corrosione (ruggine, screpolature, scheggiature) e riverniciarlo con smalto da esterni. Se la ruggine è penetrata nell'acciaio in qualsiasi punto, sostituire immediatamente il palo.
- Prima di ogni impiego, controllare che il sistema sia in equilibrio, non presenti elementi di fissaggio allentati, usura eccessiva e segni di corrosione; riparare il sistema prima di usarlo.
- Controllare la stabilità del sistema prima di utilizzarlo.
- Non utilizzare il sistema in presenza di venti forti e/o in condizioni climatiche severe; il sistema potrebbe rovesciarsi. Mettere il sistema in posizione di immagazzinaggio e/o in un luogo protetto dal vento che sia libero da oggetti e/o da cavi elettrici sospesi.
- Non giocare mai con un sistema danneggiato.
- Quando il sistema viene spostato, prestare attenzione che il suo meccanismo non venga a muoversi.
- Tenere sempre la parte più alta del palo coperta con il tappo.
- Non lasciare che l'acqua all'interno del serbatoio venga a congelarsi. A temperature al di sotto dello zero, aggiungere 7,6 litri (2 galloni) di antigelo atossico, della sabbia oppure svuotare il serbatoio completamente e conservare il sistema (non usare del sale).
- Quando il sistema viene spostato, non permettere a nessuno di rimanere o sedere sulla base né di aggiungere alcun peso (zavorra) alla base.
- Non allontanarsi dal sistema né giocare con il sistema quando le sue ruote sono predisposte al movimento.
- Fare particolare attenzione a spostare il sistema lungo superfici non levigate perché lo stesso potrebbe rovesciarsi.
- Fare particolare attenzione quando il sistema viene sistemato su una superficie scoscesa, in quanto potrebbe rovesciarsi più facilmente.
- Per l'installazione e la manutenzione appropriate, consultare il manuale delle istruzioni.

SPALDING
En Italia, 1900-2010
RUSSELL ATHLETIC
En Italia, 1900-2010
HYDRA-RIB
En Italia, 1900-2010
HUFFYSPORTS
En Italia, 1900-2010
N.º 010 7558200 0005

⚠️ CONSIGNES DE SÉCURITÉ ! ⚠️

SUIVEZ CES CONSIGNES DE SÉCURITÉ SOUS PEINE DE PROVOQUER DES BLESSURES GRAVES, DES DÉGÂTS MATÉRIELS ET L'ANNULATION DE LA GARANTIE.

Le propriétaire doit s'assurer que tous les joueurs connaissent et suivent ces règles d'utilisation sûre du système.

Par mesure de sécurité, n'essayez pas de monter ce système sans suivre scrupuleusement les instructions. Un montage, une utilisation et une supervision corrects et complets sont indispensables à un bon fonctionnement et à la réduction des risques d'accident ou de blessure. Des blessures graves sont très probables si le système n'est pas installé, entretenu et utilisé correctement.

- Si vous utilisez une échelle en cours de montage, soyez extrêmement prudent.
- Vérifiez régulièrement le socle pour vous assurer qu'il ne fuit pas. Les petites fuites risquent d'entraîner le basculement intempestif du système.
- Emboîtez correctement les sections de poteau (le cas échéant). Elles risquent sinon de se déboîter en cours de jeu et/ou de transport du système.
- Les conditions climatiques, la corrosion ou une mauvaise utilisation risquent de provoquer la panne du système.
- Pour toute assistance technique, contactez Huffy Sports.

La plupart des blessures sont causées par une mauvaise utilisation et/ou le non-respect des instructions. Soyez prudent lorsque vous utilisez ce système.

⚠️ SICHERHEITSHINWEISE ⚠️

EIN MISSACHTEN DIESER SICHERHEITSHINWEISE KANN ZU SCHWEREN VERLETZUNGEN UND/ODER SACHSCHÄDEN FÜHREN UND MACHT DIE GARANTIE UNWIRKSAM..

Der Eigentümer muss sicherstellen, dass alle Spieler diese Regeln für einen sicheren Betrieb des Systems kennen und befolgen.

Aus Sicherheitsgründen darf dieses System nur unter sorgfältiger Beachtung der Anleitung zusammengebaut werden. Eine ordnungsgemäße und vollständige Montage, Verwendung und Aufsicht ist für den richtigen Betrieb und zur Reduzierung des Unfall- oder Verletzungsrisikos absolut erforderlich. Bei einer unsachgemäßen Installation und Wartung und bei einem falschen Betrieb dieses Systems besteht ein hohes Risiko schwerer Verletzungen.

- Bei Gebrauch einer Leiter während des Zusammenbaus extrem vorsichtig vorgehen.
- Den Sockel regelmäßig auf Leckstellen untersuchen. Langsam austretende Füllmittel können ein unerwartetes Umkippen des Systems verursachen.
- Die einzelnen Stangenteile richtig zusammenfügen (falls anwendbar). Andernfalls können sich die Stangenteile beim Spielbetrieb und/oder während des Transports des Systems voneinander lösen.
- Klimatische Bedingungen, Korrosion oder Fehlgbrauch kann zu Systemdefekten führen.
- Technische Unterstützung kann direkt von Huffy Sports angefordert werden.

Die meisten Verletzungen werden durch einen Fehlgbrauch bzw. ein Missachten der Anleitungen verursacht. Bei der Verwendung dieses Geräts vorsichtig vorgehen.

⚠️ ¡INSTRUCCIONES DE SEGURIDAD! ⚠️

EL INCUMPLIMIENTO DE ESTAS INSTRUCCIONES DE SEGURIDAD PUEDE DAR COMO RESULTADO LESIONES GRAVES, DAÑOS MATERIALES Y ANULARÁ LA GARANTÍA.

El propietario debe asegurarse de que todos los jugadores conozcan y obedezcan estas reglas para la operación segura del sistema.

Por su seguridad, no intente montar este sistema sin seguir cuidadosamente las instrucciones. Es esencial el montaje completo, y el uso y la supervisión adecuados para la operación correcta del sistema y para reducir el riesgo de accidentes o lesiones. Existe una alta probabilidad de sufrir lesiones graves si este sistema no se instala, mantiene y opera adecuadamente.

- Tenga mucho cuidado si utiliza una escalera durante el montaje.
- Revise regularmente la base para detectar fugas. Las fugas lentas podrían causar que el sistema se cayera inesperadamente
- Asiente correctamente las secciones del poste (si aplica). Si no lo hace, las secciones del poste podrían separarse durante el juego y/o durante el transporte del sistema.
- Si el clima, la corrosión y el mal uso podrían ocasionar la falla del sistema.
- Si requiere asistencia técnica, comuníquese con Huffy Sports.

La mayoría de las lesiones son causadas por el uso inadecuado y/o por el incumplimiento de las instrucciones. Tenga cuidado cuando use esta unidad.

⚠️ ISTRUZIONI PER LA SICUREZZA! ⚠️

L'INOSSERVANZA DI QUESTE ISTRUZIONI DI SICUREZZA PUÒ TRADURSI IN GRAVI INFORTUNI E/O DANNI ALLE COSE E ANNULLERÀ LA GARANZIA.

Per garantire il funzionamento sicuro del sistema, il proprietario deve assicurarsi di leggere e rispettare attentamente le istruzioni. Il montaggio completo e corretto, l'impiego appropriato e la supervisione dell'uso del sistema sono essenziali per il suo giusto funzionamento e per ridurre al minimo il rischio di incidenti o infortuni. Se il sistema non viene installato, sottoposto a manutenzione e impiegato nel modo giusto, è molto probabile che avvengano gravi infortuni.

- Prestare particolare attenzione se per il montaggio del sistema si usa una scala.
- Controllare regolarmente la base, alla ricerca di eventuali perdite. Anche piccole perdite possono causare il rovesciamento imprevisto del sistema.
- Bloccare appropriatamente le sezioni del palo (se del caso). L'inosseranza di tale istruzione può causare la separazione delle stesse durante il gioco e/o il trasporto del sistema.
- Le condizioni climatiche, la corrosione e anche l'uso non appropriato del palo possono provocare guasti al sistema.
- Se si necessita di assistenza tecnica, contattare la Huffy Sports.

La maggior parte degli infortuni avviene a causa di uso improprio e/o di inosservanza delle istruzioni. Fare particolare attenzione durante l'impiego di questo sistema.



Des questions ou des pièces manquantes ?

STOP!

NE RETOURNEZ PAS au magasin !

Appelez le numéro du service clientèle (NUMÉRO GRATUIT) qui figure en première page!



Fragen oder fehlende Teile?

HALT!

Gehen Sie NICHT zum Laden zurück!

Rufen Sie die GEBÜHRENFREIE Telefonnummer (in den USA und Kanada) auf der Vorderseite an!



¿Tiene preguntas o le faltan piezas?

¡ALTO!

¡NO regrese a la tienda!

¡Llame al número telefónico GRATUITO de Servicio al Cliente que se indica en la primera página!



Domande o componenti mancanti?

STOP!

NON è necessario tornare al negozio!

Chiamare il NUMERO VERDE per l'assistenza alla clientela indicato in copertina!

AVIS AUX PERSONNES CHARGÉES DU MONTAGE

Assemblage exclusivement réservé à un adulte. Jetez TOUT le matériel d'emballage dans les plus brefs délais. Comme pour tous les produits pour enfants, inspectez périodiquement le serrage des pièces de petite taille.

Une fois assemblé, l'ensemble DOIT être rempli d'eau à TOUT MOMENT.

TOUS les systèmes de basket-ball Huffy Sports, y compris ceux utilisés en EXPOSITION, DOIVENT être assemblés et lestés de sable ou d'eau, selon les instructions. Suivez ces instructions sous peine d'encourir des BLESSURES GRAVES. Il est INACCEPTABLE de composer un système de lestage de fortune.

HINWEIS FÜR DIE PERSONEN, DIE DEN ZUSAMMENBAU DURCHFÜHREN

Zusammenbau nur durch Erwachsene ALLE Verpackungsmaterialien sofort wegwerfen. Wie alle für Kinder vorgesehene Produkte muss auch dieses regelmäßig auf lose Kleinteile inspiziert werden.

Die zusammengebaute Vorrichtung MUSS STETS mit Wasser gefüllt sein.

ALLE Basketballsysteme von Huffy Sports, einschließlich der zu Demonstrationszwecken benutzten Systeme, müssen gemäß der Montageanleitung zusammengebaut und mit Sand oder Wasser beschwert werden. Ein Missachten dieser Anleitung kann SCHWERE VERLETZUNGEN zur Folge haben. Zum Beschweren darf NICHT zu irgendwelchen Notbehelfsmaßnahmen gegriffen werden.

AVISO PARA LAS PERSONAS QUE REALIZAN EL MONTAJE

Il montaggio va eseguito da persone adulte. Eliminare prontamente TUTTI i materiali di imballaggio. Come per tutti gli articoli per bambini, ispezionare periodicamente il prodotto per verificare che non vi siano parti piccole allentate.

Il prodotto montato DEVE essere SEMPRE pieno d'acqua.

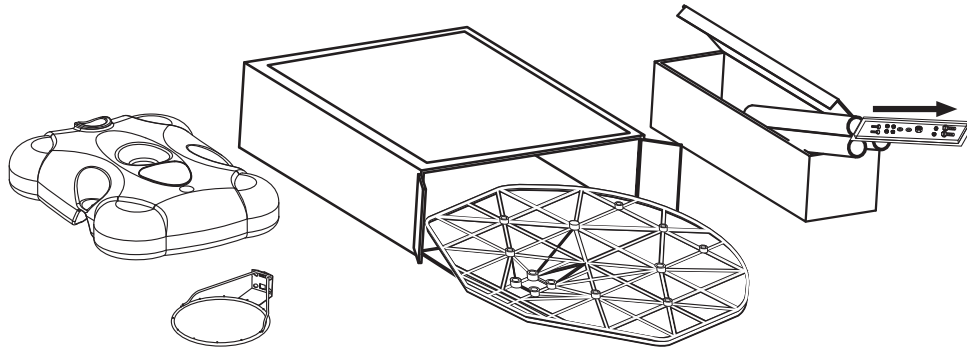
TODOS los sistemas de baloncesto de Huffy Sports, inclusive los usados para EXHIBICIÓN, DEBEN estar montados y equilibrados con arena o agua, de acuerdo con las instrucciones. Si se ignoran estas instrucciones se podría ocasionar una LESIÓN GRAVE. NO es aceptable improvisar un sistema de pesas provisional.

AVVISO A CHI MONTA IL SISTEMA

Se richiede che un adulto realice el montaje Deseche inmediatamente TODOS los materiales de embalaje. Al igual que con todos los productos infantiles, inspecciónelo para verificar que no tenga piezas pequeñas sueltas.

La unidad montada DEBE estar llena de agua en TODO momento.

TUTTI i sistemi da pallacanestro Huffy Sports, compresi quelli impiegati a scopo ESPOSITIVO, DEVONO essere montati e bilanciati con sabbia o acqua, a seconda delle istruzioni. La mancata osservanza delle istruzioni può tradursi in GRAVI INFORTUNI. La messa in opera di un sistema di bilanciamento alternativo è INACCETTABILE.



IMPORTANT!

**Videz entièrement les boîtes.
Veillez à vérifier l'intérieur des sections de poteau.
La quincaillerie et des pièces supplémentaires sont emballées à l'intérieur.**

WICHTIG!

**Die Kartons vollständig auspacken.
Den Hohlraum in den Stangenteilen inspizieren.
Dort sind Befestigungs-und andere Kleinteile verpackt.**

¡IMPORTANTE!

**Saque todo el contenido de las cajas.
Asegúrese de revisar el interior de las secciones del poste.
Ahí se han empacado herraje y piezas adicionales.**

IMPORTANTE!

**Rimuovere dalle scatole tutti i componenti.
Controllare le sezioni del palo: gli elementi di fissaggio e altri componenti sono confezionati al loro interno.**

CARTE DE GARANTIE:

N'oubliez pas de remplir la carte d'enregistrement de votre produit en ligne à:
www.huffysports.com/customer_support/product_registration
or mail-in the enclosed postcard.

GARANTIEKARTE:

Bitte nicht vergessen, das Produktregistrierungsformular online unter der Adresse
www.huffysports.com/customer_support/product_registration
auszufüllen oder die beiliegende Postkarte einzusenden.

TARJETA DE GARANTÍA:

Por favor recuerde completar su formulario de registro del producto, ya sea en línea en:
www.huffysports.com/customer_support/product_registration
o por correo en la tarjeta postal adjunta.

GARANZIA:

Non dimenticare di completare la scheda di registrazione del prodotto, al sito Web:
www.huffysports.com/customer_support/product_registration,
o inviare per posta la cartolina allegata.

LISTE DES PIÈCES

<input checked="" type="checkbox"/>	<u>Légende</u>	<u>Quantité</u>	<u>No de réf.</u>	<u>Description</u>
<input type="checkbox"/>	1	1	20664903	Réservoir (noir)
<input type="checkbox"/>	2	1	FR908130	Section de poteau supérieure
<input type="checkbox"/>	3	1	FR908133	Section de poteau centrale avec étiquette
<input type="checkbox"/>	4	1	FR908132	Section de poteau inférieure
<input type="checkbox"/>	5	1	203099	Contre-écrou en nylon, 5/16-18
<input type="checkbox"/>	6	1		Filet
<input type="checkbox"/>	7	1	20378701	Capuchon
<input type="checkbox"/>	8	3	203223	Boulon ordinaire, 3/8-16 x 1" (long.)
<input type="checkbox"/>	9	1	203617	Bouchon de réservoir
<input type="checkbox"/>	10	1	203740	Boulon, tête à six pans, 5/16-18 x 2.63" (long.)
<input type="checkbox"/>	11	2	201344	Bouton en plastique
<input type="checkbox"/>	12	1		Cerceau
<input type="checkbox"/>	13	1		Panneau
<input type="checkbox"/>	14	1	908134	Support de panneau
<input type="checkbox"/>	15	1	908129	Support de Cerceau
<input type="checkbox"/>	16	2	203739	Boulon ordinaire, 5/16-18 x 3.25" (long.)
<input type="checkbox"/>	17	4*	203218	Rondelle, 5/16
<input type="checkbox"/>	18	1	203309	Rondelle, 1.0" D.E.
<input type="checkbox"/>	19	1	203679	Boulon, tête à six pans, 3/8-16 x 2" (long.)
<input type="checkbox"/>	20	3*	203100	Contre-écrou, 5/16-18
<input type="checkbox"/>	21	1	900454	Contrefiche de réservoir
<input type="checkbox"/>	22	1	900255	Contrefiche de réservoir
<input type="checkbox"/>	23	4*	203798	Boulon, tête à six pans, 5/16-18 x 1.5" (long.)

* Il est possible que vous ayez d'autres pièces avec ce modèle.

TEILELISTE

<input checked="" type="checkbox"/>	<u>Nr.</u>	<u>Anz.</u>	<u>Teilenummer</u>	<u>Beschreibung</u>
<input type="checkbox"/>	1	1	20664903	Tank (Schwarz)
<input type="checkbox"/>	2	1	FR908130	Oberes Stangenteil
<input type="checkbox"/>	3	1	FR908133	Mittleres Stangenteil mit Schild
<input type="checkbox"/>	4	1	FR908132	Unteres Stangenteil
<input type="checkbox"/>	5	1	203099	Nylon-Einschraubgegenmutter, 5/16-18
<input type="checkbox"/>	6	1		Netz
<input type="checkbox"/>	7	1	20378701	Deckel
<input type="checkbox"/>	8	3	203223	Schlossschraube, 3/8-16 x 1 Länge
<input type="checkbox"/>	9	1	203617	Tankdeckel
<input type="checkbox"/>	10	1	203740	Sechskantkopfschraube, 5/16-18 x 2.63" Länge
<input type="checkbox"/>	11	2	201344	Plastikknopf
<input type="checkbox"/>	12	1		Korbrand
<input type="checkbox"/>	13	1		Korbwand
<input type="checkbox"/>	14	1	908134	Korbwand-Montagehalterung
<input type="checkbox"/>	15	1	908129	Korbrand -Montagehalterung
<input type="checkbox"/>	16	2	203739	Schlossschraube, 5/16-18 x 3.25" Länge
<input type="checkbox"/>	17	4*	203218	Unterlegscheibe, 5/16
<input type="checkbox"/>	18	1	203309	Unterlegscheibe, 1.0 Zoll AD
<input type="checkbox"/>	19	1	203679	Sechskantkopfschraube, 3/8-16 x 2" Länge
<input type="checkbox"/>	20	3*	203100	Einschraubgegenmutter, 5/16-18
<input type="checkbox"/>	21	1	900454	Tankverstrebung
<input type="checkbox"/>	22	1	900255	Tankverstrebung
<input type="checkbox"/>	23	4*	203798	Sechskantkopfschraube, 5/16-18 x 1.5" Länge

* Diesem Modell können zusätzliche Teile beige packt sein.

LISTA DE PIEZAS

<input type="checkbox"/>	<u>Artículo</u>	<u>Cant.</u>	<u>Pieza N.º</u>	<u>Descripción</u>
<input type="checkbox"/>	1	1	20664903	Tanque (negro)
<input type="checkbox"/>	2	1	FR908130	Sección superior del poste
<input type="checkbox"/>	3	1	FR908133	Sección media del poste con etiqueta
<input type="checkbox"/>	4	1	FR908132	Sección inferior del poste
<input type="checkbox"/>	5	1	203099	Contratuercas, inserto de nilón, 5/16-18
<input type="checkbox"/>	6	1		Red
<input type="checkbox"/>	7	1	20378701	Tapa
<input type="checkbox"/>	8	3	203223	Perno cabeza de carro, 3/8-16 x 1" de longitud
<input type="checkbox"/>	9	1	203617	Tapa del tanque
<input type="checkbox"/>	10	1	203740	Perno, cabeza hexagonal, 5/16-18 x 2.63" de longitud
<input type="checkbox"/>	11	2	201344	Perilla, plástico
<input type="checkbox"/>	12	1		Borde
<input type="checkbox"/>	13	1		Respaldo
<input type="checkbox"/>	14	1	908134	Soporte de montaje del respaldo
<input type="checkbox"/>	15	1	908129	Soporte de Borde
<input type="checkbox"/>	16	2	203739	Perno cabeza de carro, 5/16-18 x 3.25" de longitud
<input type="checkbox"/>	17	4*	203218	Arandela, 5/16
<input type="checkbox"/>	18	1	203309	Arandela, 1.0" D.E.
<input type="checkbox"/>	19	1	203679	Perno, cabeza hexagonal, 3/8-16 x 2" de longitud
<input type="checkbox"/>	20	3*	203100	Contratuercas, 5/16-18
<input type="checkbox"/>	21	1	900454	Puntal del tanque
<input type="checkbox"/>	22	1	900255	Puntal del tanque
<input type="checkbox"/>	23	4*	203740	Perno, cabeza hexagonal, 5/16-18 x 1.5" de longitud

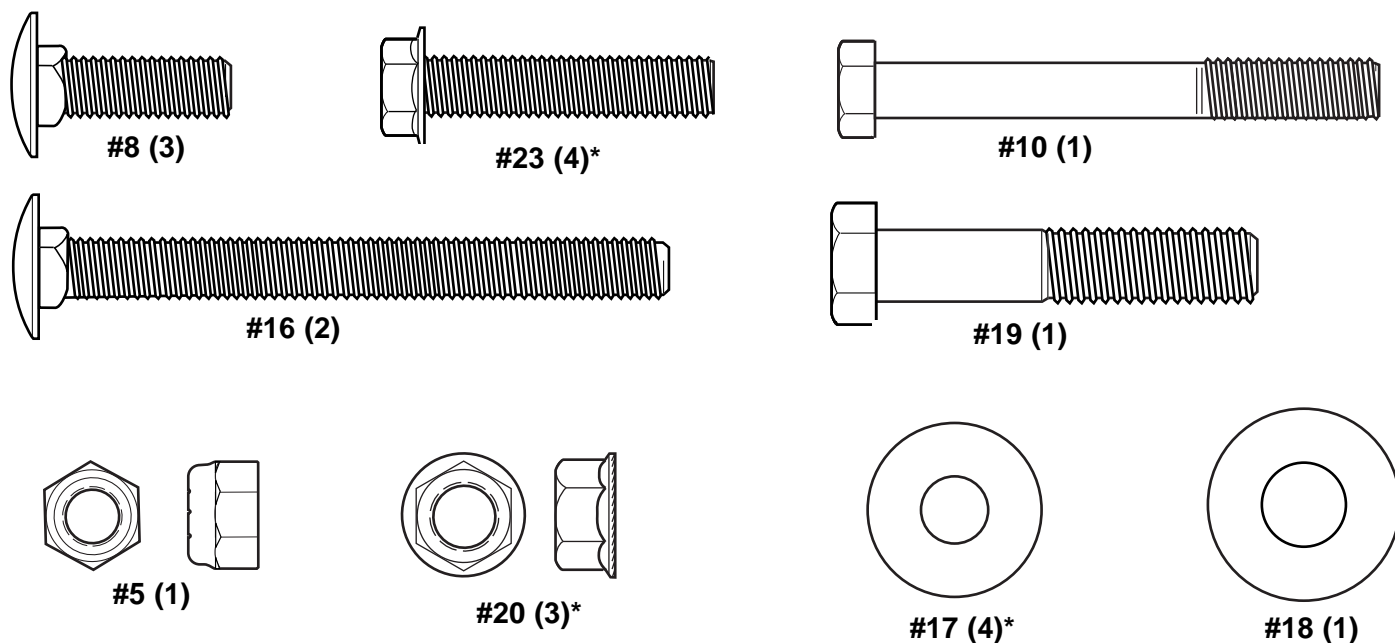
* Puede haber piezas adicionales en este modelo.

ELENCO DEI PEZZI

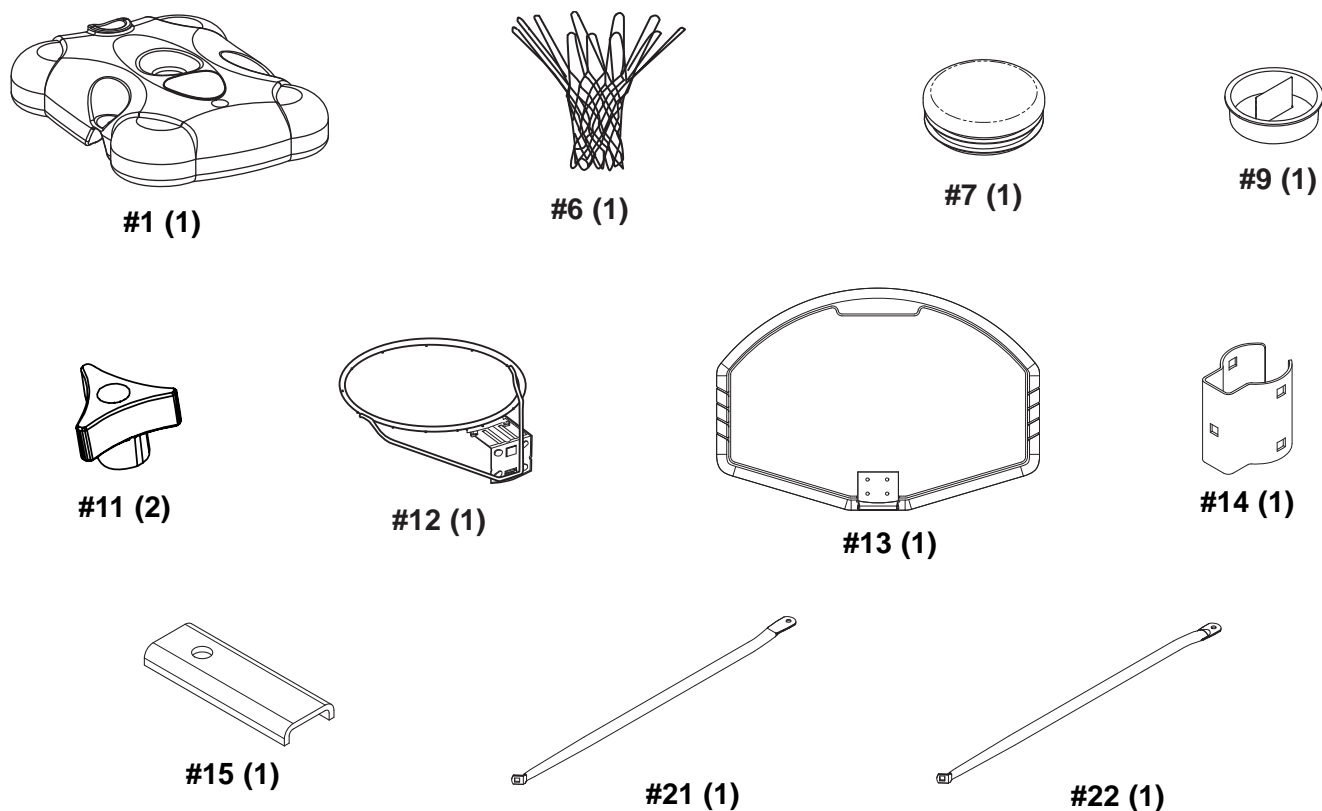
<input type="checkbox"/>	<u>Art.</u>	<u>Quantità</u>	<u>N. pezzo</u>	<u>Descrizione</u>
<input type="checkbox"/>	1	1	20664903	Serbatoio (nero)
<input type="checkbox"/>	2	1	FR908130	Sezione superiore del palo
<input type="checkbox"/>	3	1	FR908133	Sezione intermedia del palo con etichetta
<input type="checkbox"/>	4	1	FR908132	Sezione inferiore del palo
<input type="checkbox"/>	5	1	203099	Dado, ny-loc, 5/16-18
<input type="checkbox"/>	6	1		Rete
<input type="checkbox"/>	7	1	20378701	Cappuccio, parte superiore del palo
<input type="checkbox"/>	8	3	203223	Bullone a legno da 5/16-18 x 1" di lungh.
<input type="checkbox"/>	9	1	203617	Cappuccio, serbatoio
<input type="checkbox"/>	10	1	203740	Bullone esagonale, 5/16-18 x 2.63" di lungh.
<input type="checkbox"/>	11	2	201344	Manopola di plastica, a tre lati
<input type="checkbox"/>	12	1		Cerchio
<input type="checkbox"/>	13	1		Tabellone
<input type="checkbox"/>	14	1	908134	Staffa di montaggio del tabellone
<input type="checkbox"/>	15	1	908129	Staffa del cerchio
<input type="checkbox"/>	16	2	203739	P Bullone a legno, 5/16-18 x 3,25" di lungh.
<input type="checkbox"/>	17	4*	203218	Rondella piatta, 5/16
<input type="checkbox"/>	18	1	203309	Rondella piatta, 1,0" di diam. esterno
<input type="checkbox"/>	19	1	203679	Bullone esagonale, 3/8-16 x 2" di lungh.
<input type="checkbox"/>	20	3*	203100	Dado flangiato, 5/16-18
<input type="checkbox"/>	21	1	900454	Montante sinistro
<input type="checkbox"/>	22	1	900255	Montante destro
<input type="checkbox"/>	23	4*	203740	Bullone esagonale, 5/16-18 x 1,5" di lungh.

* Con questo modello potrebbero essere stati forniti ulteriori pezzi.

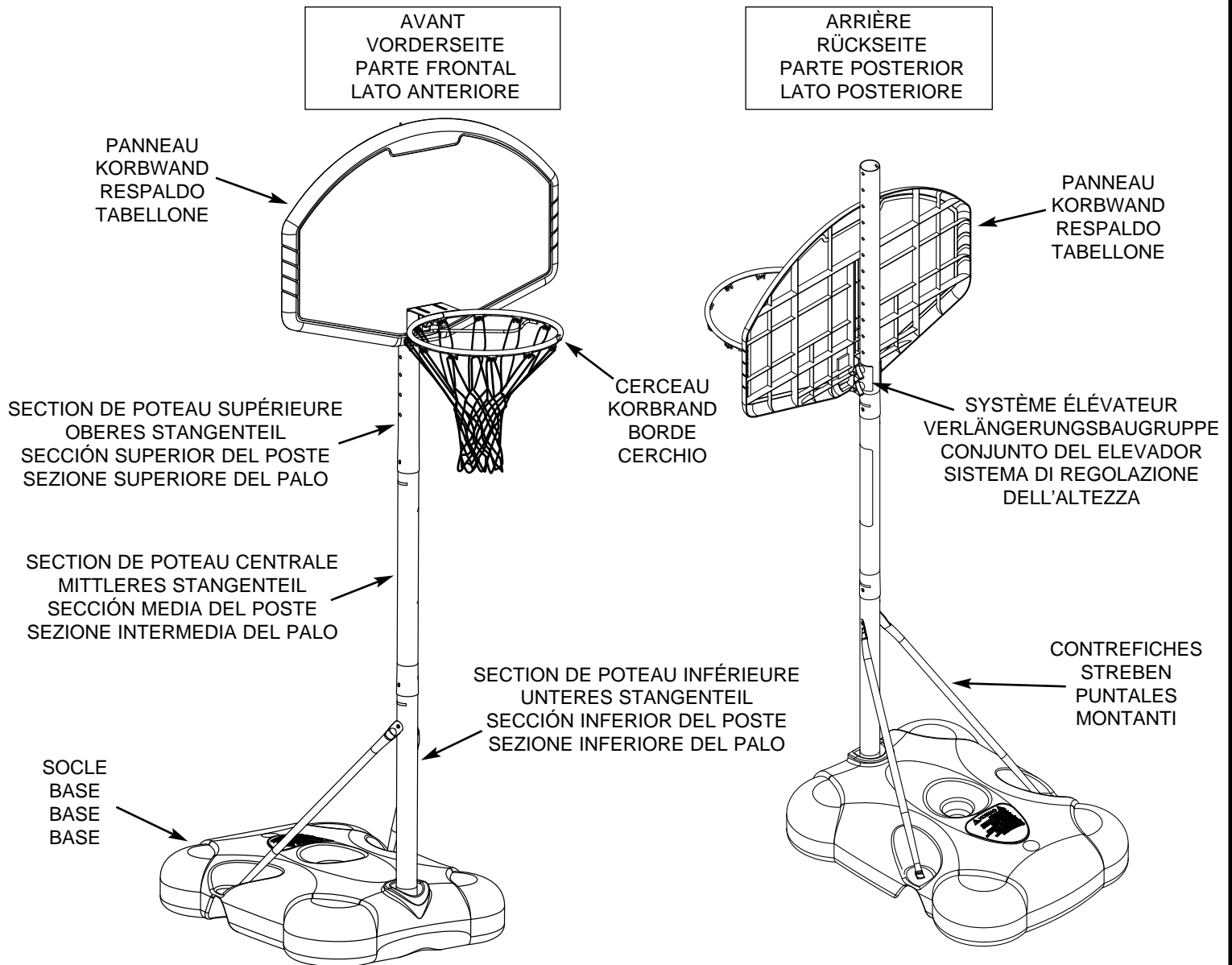
DESCRIPTIF DES PIÈCES - La visserie est grandeur nature.
 TEILESCHLÜSSEL - Die Befestigungsteile sind in ihrer tatsächlichen Größe abgebildet.
 IDENTIFICADOR DE PIEZAS: El herraje aparece en su tamaño real
 FOGLIO DI IDENTIFICAZIONE DEI PEZZI - Componenti in grandezza naturale



IDENTIFICATION DES PIÈCES - Pas à la grandeur réelle
 TEILESCHLÜSSEL - Die einzelnen Teile sind nicht in ihrer tatsächlichen Größe abgebildet.
 IDENTIFICADOR DE PIEZAS: Las piezas no aparecen en su tamaño real
 FOGLIO DI IDENTIFICAZIONE DEI PEZZI - Componenti non in grandezza naturale



Apprenez à connaître les composants de base de votre système de basket-ball...
 Machen Sie sich mit den wichtigsten Teilen Ihres Basketballsystems vertraut...
 Conozca las piezas básicas de su sistema de baloncesto...
 È bene familiarizzarsi con i componenti principali del sistema da pallacanestro...



Inscrivez ici le numéro de modèle qui apparaît sur la boîte:

Die Modellnummer vom Verpackungskarton hier eintragen:

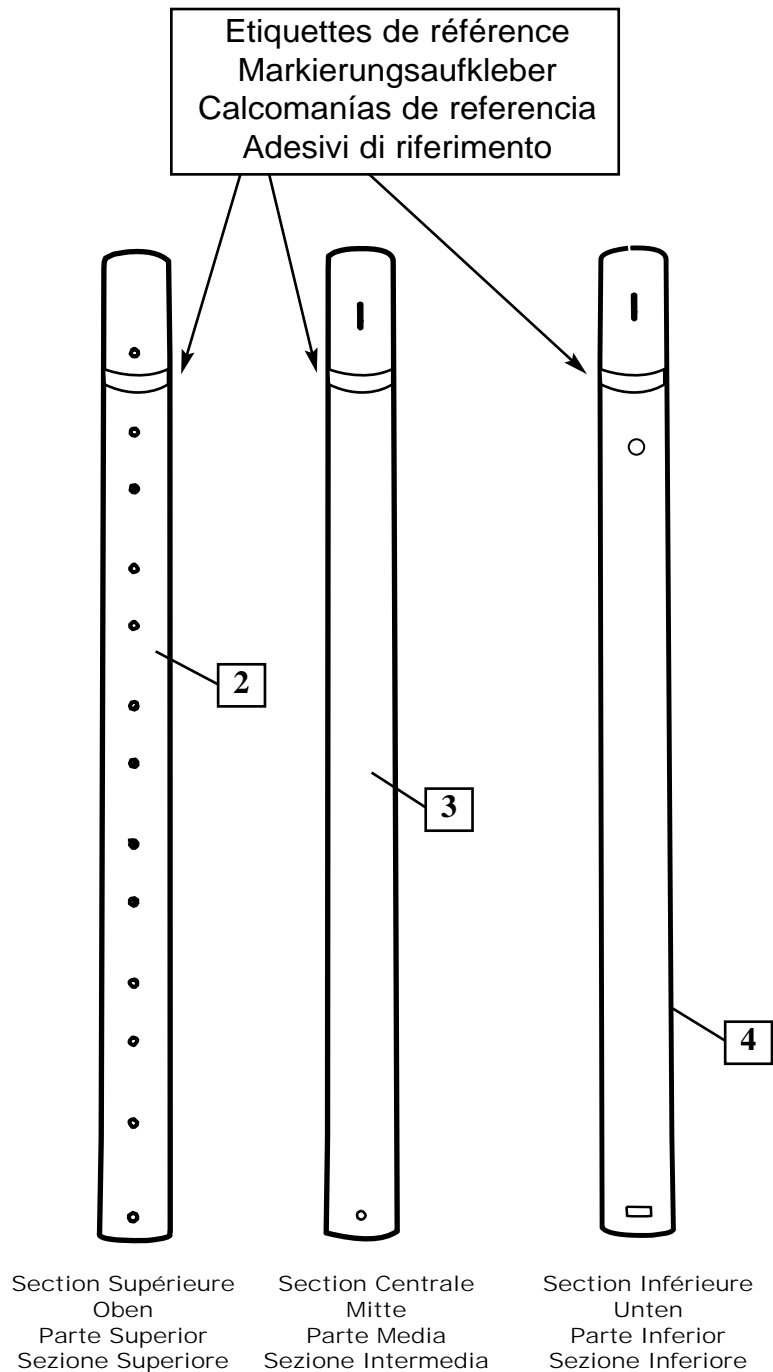
Escriba aquí el número de modelo que viene en la caja:

Riportare qui il numero di modello che si trova sulla scatola:

1. Identifiez correctement chaque section de poteau. Les poteaux ont une étiquette d'identification qui servira de point de repère à l'étape suivante.
- Jedes Stangenteil richtig identifizieren. Die Stangenteile sind mit Aufklebern markiert, die als Orientierungshilfe für den nächsten Schritt dienen.

Identifique correctamente cada sección del poste. Los postes tienen una calcomanía de identificación que se usará como punto de referencia en el paso siguiente.

Identificare le sezioni del palo; sono munite di adesivi che servono anche da punto di riferimento nella fase successiva.



2.

IMPORTANT! UNE FOIS LES SECTIONS DE POTEAU ENTRECHOQUÉES ENSEMBLE, ELLES NE PEUVENT PLUS ÊTRE DÉMONTÉES.

WICHTIG! NACH DEM ZUSAMMENSTAUCHEN DER STANGENTEILE KÖNNEN DIESE NICHT MEHR VONEINANDER GETRENNT WERDEN.

¡IMPORTANTE! UNA VEZ QUE LAS SECCIONES DEL POSTE SE HAN EMBRAGADO ENTRE SÍ, YA NO SE PODRÁN SEPARAR

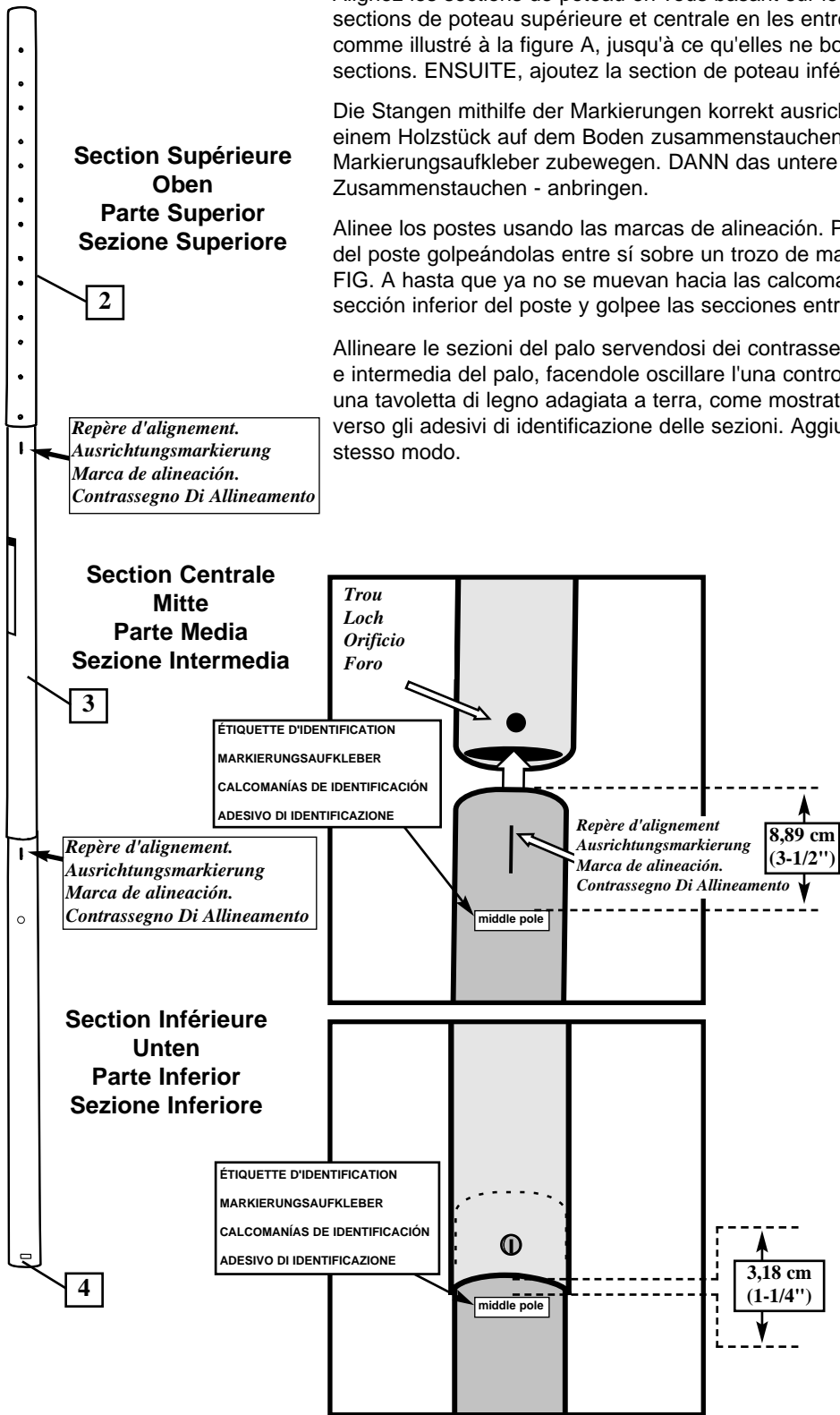
IMPORTANTE! UNA VOLTA ASSEMBLATE, LE SEZIONI DEL PALO NON POSSONO ESSERE PIÙ SEPARATE.

Alignez les sections de poteau en vous basant sur les repères d'alignement. Tout d'abord, emboîtez les sections de poteau supérieure et centrale en les entrechoquant sur un bout de bois posé par terre, comme illustré à la figure A, jusqu'à ce qu'elles ne bougent plus vers les étiquettes d'identification des sections. ENSUITE, ajoutez la section de poteau inférieure et entrechoquez de la même façon.

Die Stangen mithilfe der Markierungen korrekt ausrichten. Zuerst das obere und mittlere Stangenteil auf einem Holzstück auf dem Boden zusammenstauchen (siehe Abb. A), bis sie sich nicht mehr auf die Markierungsaufkleber zubewegen. DANN das untere Stangenteil auf gleiche Weise - also durch Zusammenstauchen - anbringen.

Alinee los postes usando las marcas de alineación. Primero embrague las secciones superior y media del poste golpeándolas entre sí sobre un trozo de madera colocado en el piso como se muestra en la FIG. A hasta que ya no se muevan hacia las calcomanías de identificación del poste. LUEGO añada la sección inferior del poste y golpee las secciones entre sí de la misma manera.

Allineare le sezioni del palo servendosi dei contrassegni appositi. Unire innanzitutto le sezioni superiore e intermedia del palo, facendole oscillare l'una contro l'altra ed esercitando una certa pressione sopra una tavoletta di legno adagiata a terra, come mostrato nella FIGURA A, finché non si spostano più verso gli adesivi di identificazione delle sezioni. Aggiungere POI la sezione inferiore unendola nello stesso modo.



**ATTENTION !
VORSICHT!
¡PRECAUCIÓN!
ATTENZIONE!**

L'ÉTIQUETTE D'IDENTIFICATION SE SITUE À 9,53 CM (3-3/4") DE L'EXTRÉMITÉ DU POTEAU. LORSQU'ELLES SONT CORRECTEMENT EMBÔTÉES LES UNES DANS LES AUTRES, LES SECTIONS DE POTEAU DOIVENT SE CHEVAUCHER DE 6,35 CM (2-1/2") MINIMUM, EN LAISSANT 3,18 CM (1-1/4") ENTRE LA SECTION QUI CHEVAUCHE ET L'ÉTIQUETTE D'IDENTIFICATION.

DER MARKIERUNGS-AUFKLEBER BEFINDET SICH CA. 9,53 CM (3-3/4") VOM STANGENENDE. WENN DIE STANGENTEILE RICHTIG ZUSAMMENGESTAUCHT WURDEN, SOLLTEN SIE UM MINDESTENS 6,35 CM (2-1/2") ÜBERLAPPEN. DER ABSTAND ZWISCHEN DEM ÜBERLAPPENDEN STANGENTEIL UND DEM MARKIERUNGS-AUFKLEBER SOLLTE ALSO 3,18 CM (1-1/4") BETRAGEN.

LA CALCOMANÍA DE IDENTIFICACIÓN ESTÁ COLOCADA A 9,53 CM (3-3/4") DEL EXTREMO DEL POSTE. CUANDO ESTÁN ADECUADAMENTE EMBRAGADAS, LAS SECCIONES DEL POSTE DEBEN TENER UN TRASLAPE MÍNIMO DE 6,35 CM (2-1/2"), DEJANDO 3,18 CM (1-1/4") ENTRE EL POSTE TRASLAPADO Y LA CALCOMANÍA DE IDENTIFICACIÓN.

L'ADESIVO DI IDENTIFICAZIONE SI TROVA A CIRCA 9,5 CM (3-3/4 POLLICI) DALL'ESTREMITÀ DEL PALO. QUANDO SONO INSERITE BENE L'UNA NELL'ALTRA, LE SEZIONI DEVONO SOVRAPPORSI DI CIRCA 6,5 CM (ALMENO 2,5 POLLICI), LASCIANDO UNA DISTANZA DI CIRCA 3 CM (1,25 POLLICI) TRA IL LABBRO CHE SI SOVRAPPONE E L'ADESIVO DI IDENTIFICAZIONE.

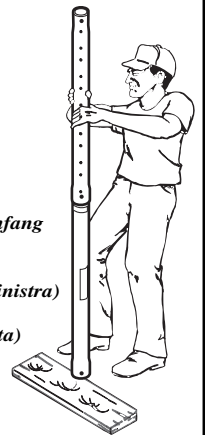
Figure A
siehe Abb. A
FIG A
FIG A

Bout de bois (non fourni)

Holzstück (nicht im Lieferumfang enthalten)

Trozo de madera (No se suministra)

Tavoletta di legno (non fornita)



3. Attachez l'ensemble du poteau au réservoir, comme illustré. Fixez le poteau sur le réservoir en tournant le poteau dans le sens des aiguilles d'une montre, comme illustré.

Den Stangenaufbau wie gezeigt an der Tankbaugruppe befestigen. Den Stangenaufbau wie gezeigt durch Rechtsdrehen am Tank und an der befestigen.

Instale el conjunto del poste en el conjunto del tanque como se muestra. Asegure el conjunto del poste en el tanque girando hacia la derecha el conjunto del poste.

Fissare il palo al serbatoio, come mostrato. Bloccare il palo sul serbatoio, girando il palo stesso in senso orario, come da figura.



AVERTISSEMENT !
WARNING!
¡ADVERTENCIA!
AVVERTENZA!

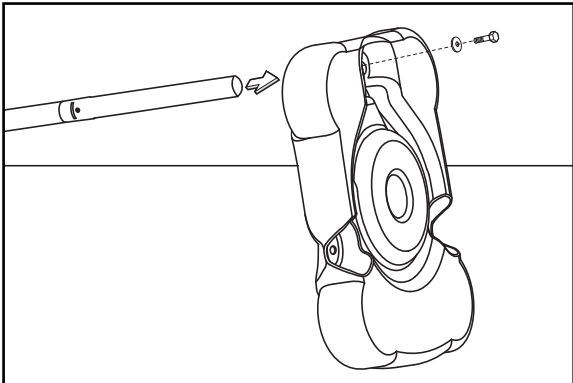


IL EST OBLIGATOIRE DE S'Y PRENDRE À DEUX POUR CETTE PROCÉDURE. SUIVEZ CET AVERTISSEMENT SOUS PEINE D'ENCOURIR DES BLESSURES GRAVES ET/OU DES DÉGÂTS MATÉRIELS.

DIESES SCHRITT MUSS VON ZWEI PERSONEN AUSGEFÜHRT WERDEN. EIN MISSACHTEN DIESER WARNUNG KANN ZU SCHWEREN VERLETZUNGEN UND/ODER SACHSCHÄDEN FÜHREN.

SE REQUIEREN DOS PERSONAS PARA REALIZAR ESTE PROCEDIMIENTO. SI NO SE OBSERVA ESTA ADVERTENCIA SE PODRÍA OCASIONAR UNA LESIÓN GRAVE Y/O DAÑOS A LA PROPIEDAD.

PER ESEGUIRE QUESTA PROCEDURA SONO NECESSARIE DUE PERSONE LA MANCATA OSSERVANZA DI QUESTA AVVERTENZA POTREBBE TRADURSI IN INFORTUNI E/O DANNI GRAVI.



REMARQUE:
HINWEIS:
NOTA:
NOTA:

BASCULEZ AVEC PRÉCAUTION LE SYSTÈME VERS L'AVANT POUR FACILITER L'ACCÈS AU DESSOUS DU SOCLE.

DURCH VORSICHTIGES KIPPEN DES SYSTEMS NACH VORNE WIRD DIE SOCKELUNTERSEITE LEICHTER ZUGÄNGLICH.

SI SE INCLINA CUIDADOSAMENTE EL SISTEMA HACIA ADELANTE SE FACILITARÁ EL ACCESO A LA PARTE INFERIOR DE LA BASE.

FACENDO ATTENZIONE AFFINCHÉ NON CADA, INCLINARE IN AVANTI IL SISTEMA PER CONSENTIRE UN PIÙ FACILE ACCESSO AL LATO INFERIORE DELLA BASE.

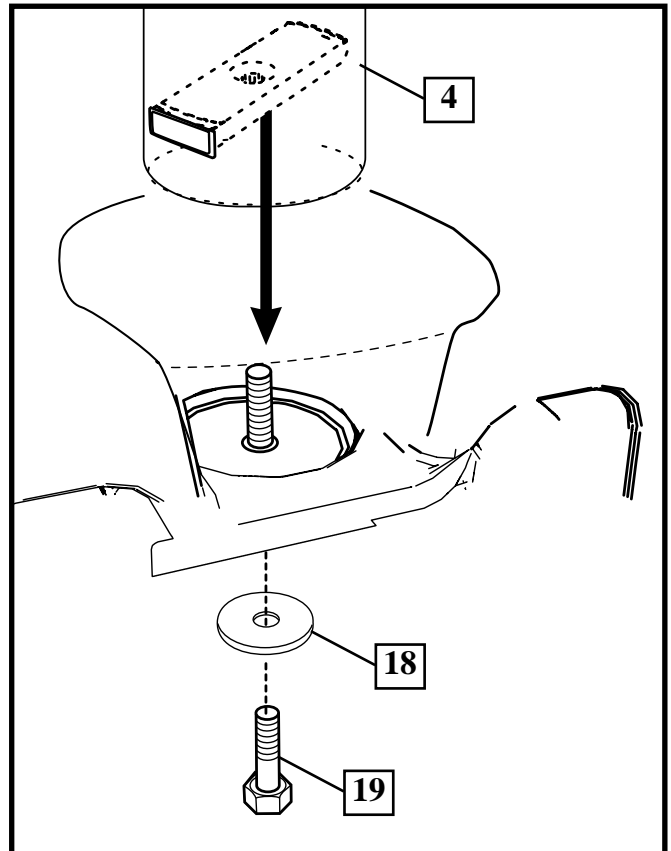
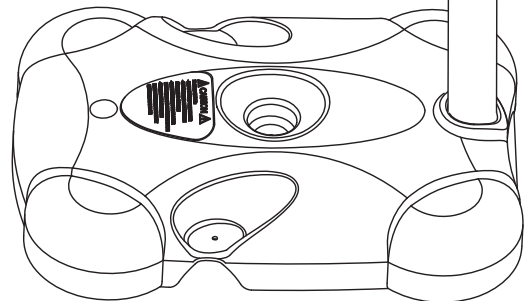
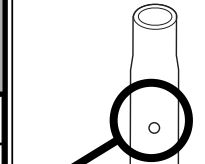
IMPORTANT!
WICHTIG!
¡IMPORTANTE!
IMPORTANTE!

NOTEZ L'ORIENTATION.

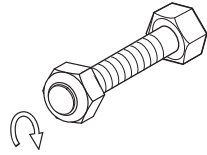
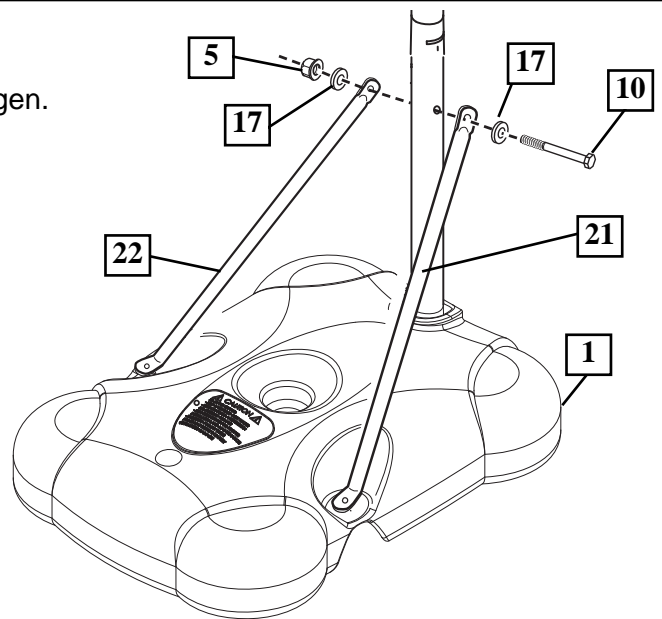
DIE KORREKTE AUSRICHTUNG BEACHTEN.

NOTE LA ORIENTACIÓN.

NOTARNE L'ORIENTAMENTO.



- 4.** Fixez les contrefiches du réservoir (21 & 22) au poteau.
- Die Tankverstreben (21 & 22) an der Stange befestigen.
- Asegure los puntales del tanque (21 & 22) en el poste.
- Fissare al palo i montanti (21 e 22) del serbatoio.



**AVERTISSEMENT !
WARNING!
¡ADVERTENCIA!
AVVERTENZA**

SERREZ LE BOULON (10) DANS LE CONTRE-ÉCROU (5) JUSQU'À CE QU'IL SE TROUVE AU MÊME NIVEAU QUE LE BORD EXTÉRIEUR DU CONTRE-ÉCROU. SOUS PEINE D'ENCOURIR DES BLESSURES OU DES DÉGÂTS MATÉRIELS.

DIE SCHRAUBE (10) IN DER GEGENMUTTER (5) SO WEIT ANZIEHEN, BIS SIE BÜNDIG MIT DER AUSSENKANTE DER GEGENMUTTER ABSCHLIESST. EIN MISSACHTEN DIESER BETRIEBSANLEITUNG KANN VERLETZUNGEN ODER SACHSCHÄDEN ZUR FOLGE HABEN.

APRIETE EL PERNO (10) EN LA CONTRATUERCA (5) HASTA QUE QUEDE AL RAS (PAREJO) CON EL BORDE EXTERIOR DE LA CONTRATUERCA. SI NO SE SIGUEN LAS INSTRUCCIONES DE OPERACIÓN SE PODRÍA OCASIONAR UNA LESIÓN O DAÑOS A LA PROPIEDAD. OR DAMAGE TO PROPERTY.

STRINGERE BENE IL BULLONE (10) NEL DADO (5), FINCHÉ NON È ALLINEATO AL BORDO ESTERNO DEL DADO STESSO. L'INOSSERVANZA DI QUESTA AVVERTENZA PUÒ RISULTARE IN GRAVI INFORTUNI E/O DANNI ALLE COSE.

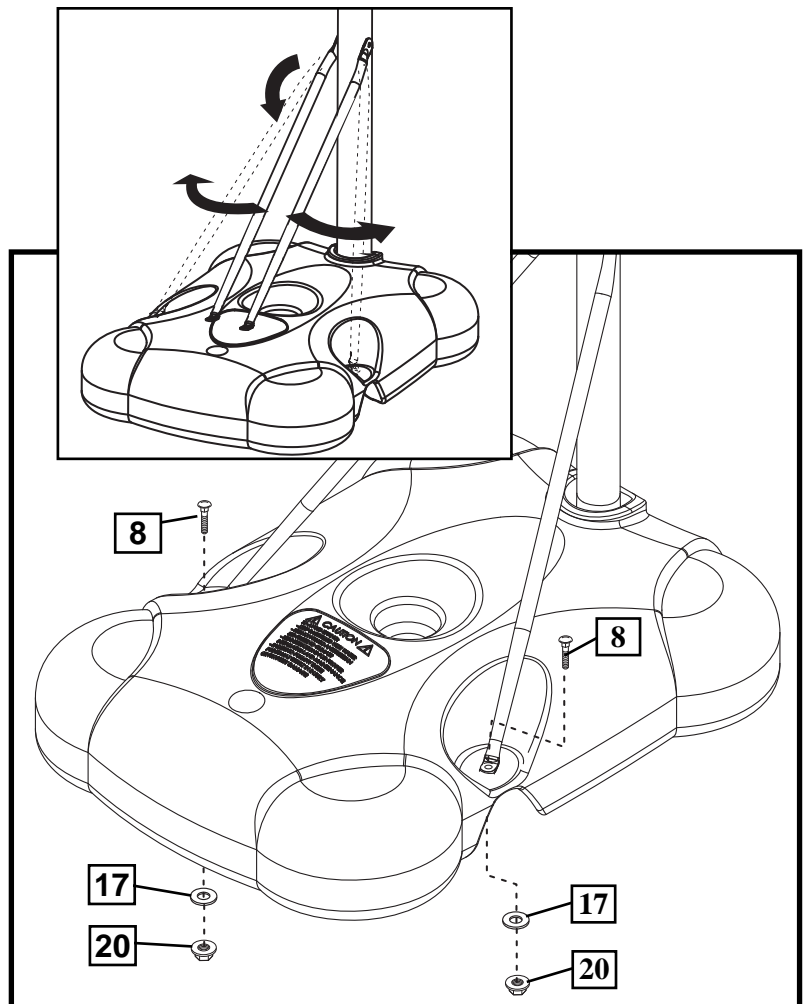
5.

Tournez les contrefiches vers le bas et courbez les contrefiches vers l'extérieur pour les aligner sur les trous du socle, comme illustré. Fixez les extrémités libres des contrefiches sur le réservoir avec le boulon ordinaire (8), la rondelle (17) et le bouton (20), comme illustré. Faites de même de l'autre côté.

Die Streben wie gezeigt nach unten klappen und nach außen biegen, damit sie mit den Löchern am Sockel zur Deckung kommen. Die unbefestigten Enden der Sockelverstreben mit der Schlossschraube (8), der Unterlegscheibe (17) und dem Drehknopf (20) wie gezeigt am Tank befestigen. Das gleiche Verfahren auf der anderen Seite durchführen.

Gire los puntales hacia abajo y dóblelos hacia fuera para alinearlos con los orificios de la base como se muestra. Asegure los extremos libres de los puntales del tanque el en tanque con el perno cabeza de carro (8), arandela (17) y perilla (20) como se muestra. Repita el procedimiento en el otro lado.

Girare i montanti verso il basso piegandoli all'infuori per allinearli con i fori sulla base, come illustrato. Fissare le estremità libere dei montanti al serbatoio con il bullone a legno (8) e il dado (20), come mostrato. Ripetere la procedura per il lato opposto.

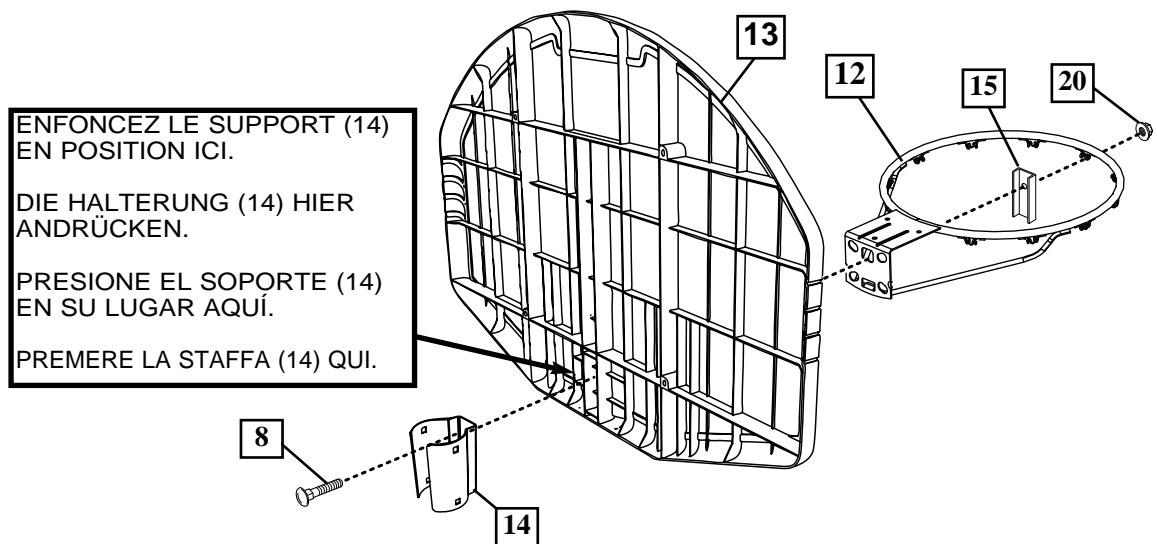


6. Vous devrez appuyer légèrement sur le support de poteau pour l'insérer dans les crans du panneau. Veillez à l'enfoncer complètement en position. Attachez le cerceau au panneau et le support de poteau (14) avec le bouton (20), le support de renforcement (15) et le boulon ordinaire (8), comme illustré. Serrez le bouton à fond.

Die Stangenhalterung muss mit leichtem Druck in die Korbwandriffelung eingepresst werden. Die Halterung fest andrücken. Den Korbrand wie gezeigt mit dem Drehknopf (20), der Verstärkungshalterung (15) und der Schlossschraube (8) an der Korbwand und der Stangenhalterung (14) befestigen. Den Drehknopf fest anziehen.

Será necesario que el soporte del poste se presione ligeramente contra los rebordes del respaldo. Asegúrese de presionarlo completamente en su lugar. Instale el borde en el respaldo y el soporte del poste (14) con la perilla (20), el soporte de refuerzo (15) y el perno cabeza de carro (8) como se muestra. Apriete completamente la perilla.

La staffa del palo va premuta leggermente contro le costole sul lato posteriore del tabellone, accertandosi che vi si incastrino bene. Fissare il cerchio al tabellone e alla staffa (14) del palo con il dado (20), la staffa di rinforzo (15) e il bullone a legno (8), come mostrato. Stringere il dado fino in fondo.

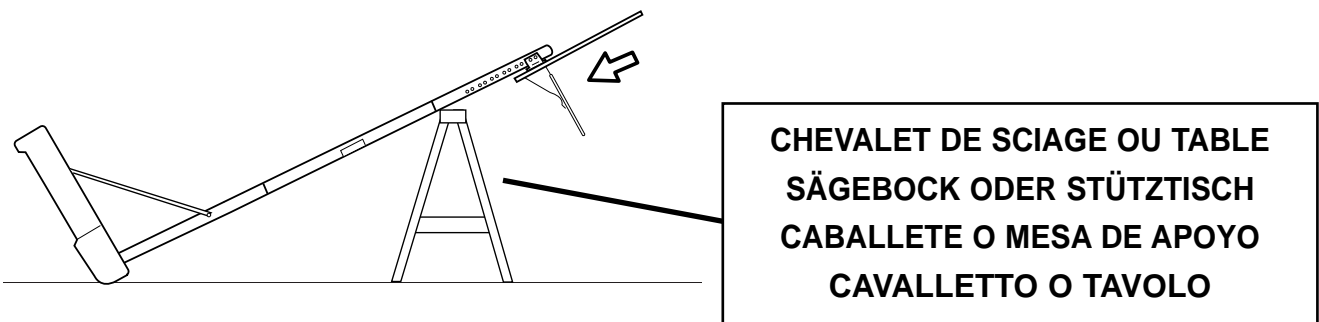


Basculez l'ensemble avec précaution vers l'avant et glissez le panneau sur le poteau, comme illustré.

Die Vorrichtung vorsichtig nach vorne kippen und die Korbwandbaugruppe wie gezeigt auf die Stange schieben.

Incline cuidadosamente la unidad hacia adelante y deslice el conjunto del respaldo en el poste como se muestra.

Facendo attenzione affinché non cada, inclinare il sistema in avanti e far scivolare il tabellone sul palo, come mostrato.



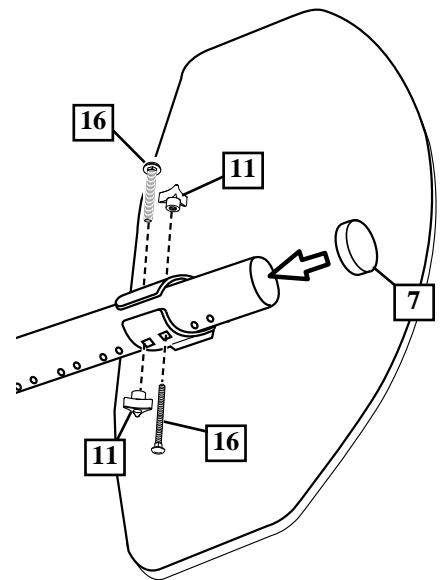
7.

Attachez le panneau au poteau avec les boulons ordinaires (16) et les boutons (11), comme illustré. Placez le capuchon (7) sur le poteau, comme illustré.

Den Korbwandaufbau wie gezeigt mit den Schlossschrauben (16) und Drehknöpfen (11) an der Stange befestigen. Die Stangenkappe (7) wie gezeigt aufsetzen.

Instale el conjunto del tablero en el poste con los pernos cabeza de carro (16) y las perillas (11) como se muestra. Instale la tapa del poste (7) como se muestra.

Fissare il tabellone al palo con i bulloni a legno (16) e le manopole (11), come mostrato. Inserire il cappuccio (7) sul palo, come illustrato.



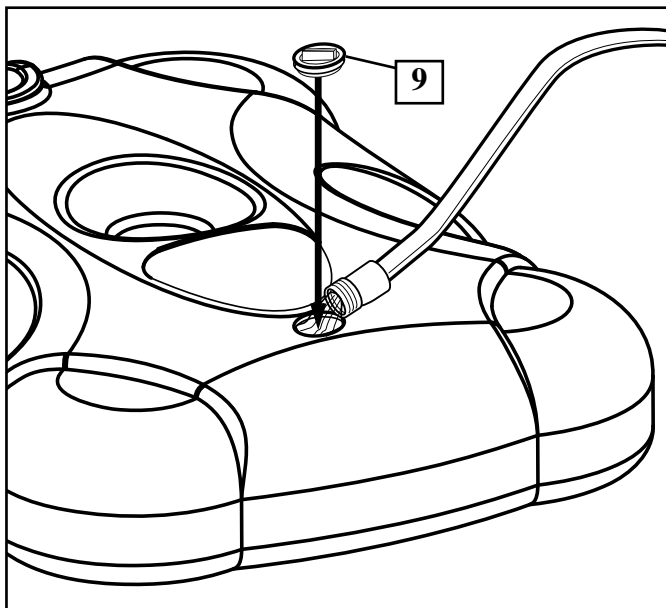
8.

Placez l'ensemble à l'emplacement de votre choix. Remplissez le réservoir d'eau (53 litres / 14 gallons) ou de sable (77 kg / 170 lb.) et fermez avec le bouchon (9).

Die zusammengebaute Vorrichtung an den gewünschten Aufstellungsort bringen. Den Tank mit Wasser (53 l [14 gal]) oder Sand (77 kg [170 lbs]) füllen und den Tankdeckel (9) aufschnappen lassen.

Coloque la unidad montada en la ubicación deseada. Llène el tanque con agua (53 litros/14 galones) o con arena (77 kg/170 libras) y conecte a presión la tapa del tanque (9) en su lugar.

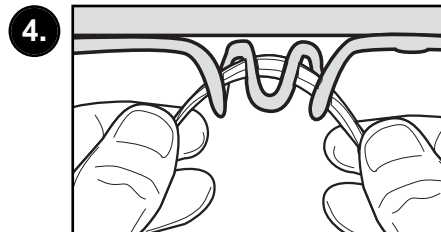
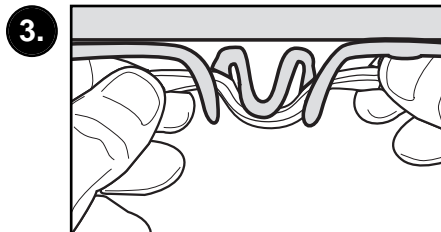
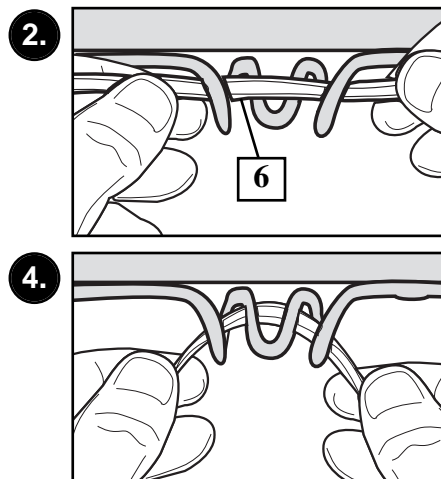
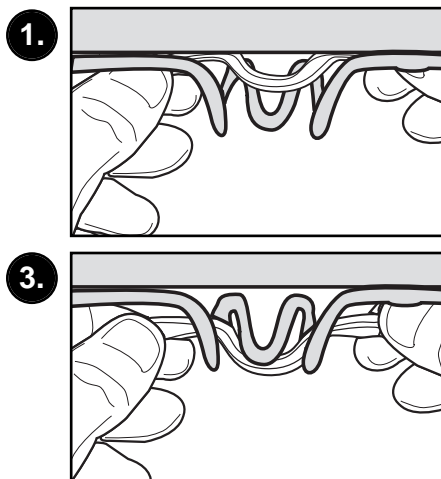
Portare il sistema montato nella posizione desiderata. Riempire completamente d'acqua (circa 53 litri [14 galloni]) oppure di sabbia (circa 77 kg [170 libbre]) il serbatoio e far scattare a posto il tappo (9).



	<p>REMARQUE: HINWEIS: NOTA: NOTA:</p>
<p>AVEC DU SABLE: LES HUIT LITRES D'ANTIGEL SONT INUTILES.</p>	
<p>BEI GEBRAUCH VON SAND: WERDEN NATÜRLICH KEINE 7,6 LITER GEFRIERSCHUTZMITTEL BENÖTIGT.</p>	
<p>SI SE USA ARENA: NO SE REQUIERE EL USO DE ANTICONGELANTE.</p>	
<p>SE SI USA SABBIA: I 7,6 LIRI DI ANTIGELO NON SERVONO.</p>	

	<p>ATTENTION ! VORSICHT! ¡PRECAUCIÓN! ATTENZIONE!</p>
<p>AJOUTEZ 3,78 LITRES (1 GALLONS) D'ANTIGEL NON TOXIQUE EN PRÉVISION DE TEMPÉRATURES EN DESSOUS DE 0.</p>	
<p>DEN TANK MIT 3,78 L (1 GAL) EINES UNGIFTIGEN GEFRIERSCHUTZMITTELS FÜLLEN, UM IN KLIMAZONEN MIT FROSTTEMPERATUREN EIN GEFRIEREN ZU VERHINDERN.</p>	
<p>AÑADA 3.78 LITROS (UNO GALONES) DE ANTICONGELANTE NO TÓXICO SI EL CLIMA ALCANZA TEMPERATURAS DE CONGELAMIENTO.</p>	
<p>NEI LUOGHI IN CUI LE TEMPERATURE SCENDONO AL DI SOTTO DELLO ZERO, AGGIUNGERE 3,78 LITRI (1 GALLONE) DI ANTIGELO ATOSSICO.</p>	

9. Installez le filet (6).
 Das Netz (6) anbringen
 Instale la red (6).
 Montare la rete (6).



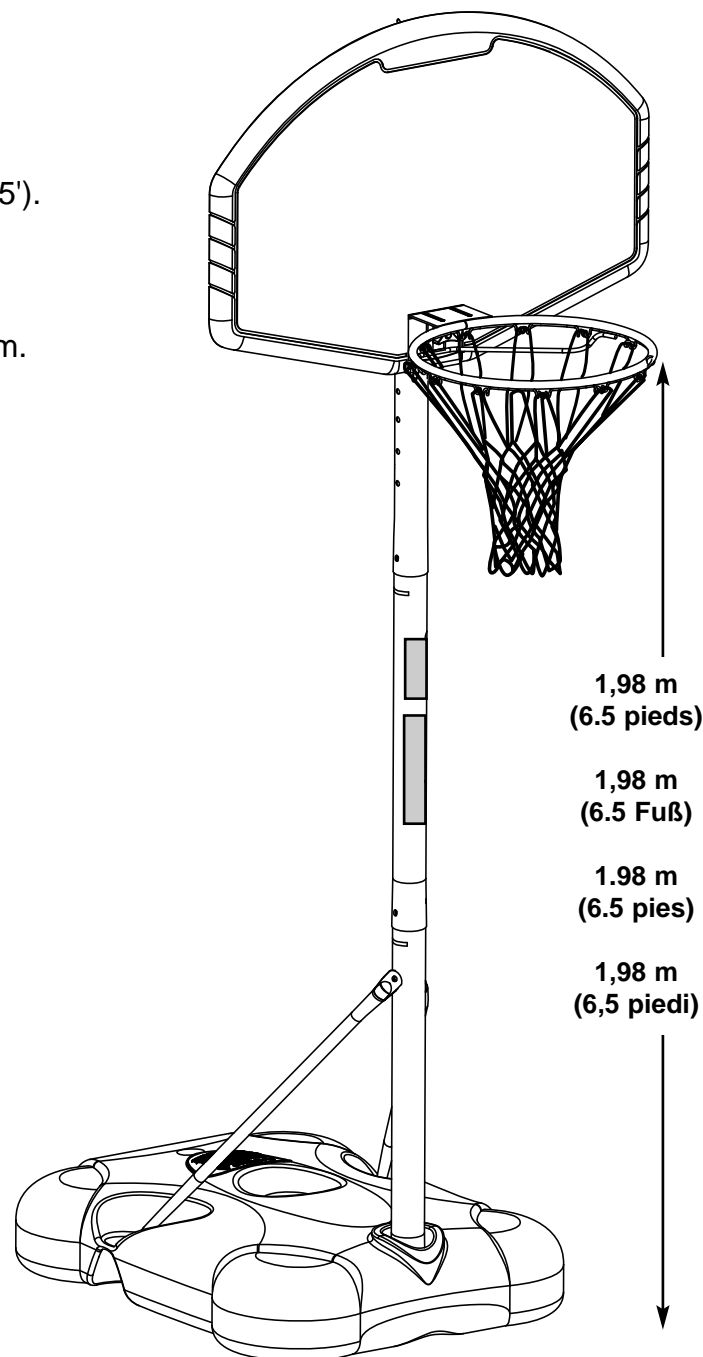
10.

Réglage de la hauteur entre 1,37 m et 1,98 m.

Höhenverstellung zwischen 1,37 m (4,5') und 1,98 m (6,5').

Ajuste de la altura de 4.5 a 6.5' (1.37 a 1.98 m).

Regolazione dell'altezza del canestro da 1,37 m a 1,98 m.



		<p>AVERTISSEMENT ! WARNING! ¡ADVERTENCIA! AVVERTENZA</p>
<p>LISEZ LE MODE D'EMPLOI. SOUS PEINE D'ENCOURIR DES BLESSURES OU DES DÉGÂTS MATÉRIELS.</p>		
<p>VOR GEBRAUCH DIESES PRODUKTS SORGFÄLTIG DURCHLESEN. EIN MISSACHTEN DIESER BETRIEBSANLEITUNG KANN VERLETZUNGEN ODER SACHSCHÄDEN ZUR FOLGE HABEN.</p>		
<p>LEA Y ENTIENDA SI NO SE SIGUEN LAS INSTRUCCIONES DE OPERACIÓN SE PODRÍA OCASIONAR UNA LESIÓN O DAÑOS A LA PROPIEDAD. OR DAMAGE TO PROPERTY.</p>		
<p>LEGGERE EATTENTAMENTE TUTTE LE AVVERTENZE. L'INOSSERVANZA DELLE ISTRUZIONI POTREBBE TRADURSI IN GRAVI INFORTUNI E/O DANNI ALLE COSE.</p>		