

### IMPORTANT! In U.S. and Canada only: Have questions?...don't go back to the store!

We appreciate your purchasing one of our many fine products. We are sure that you will be very satisfied with your selection. Although great care and effort have been taken, occasionally problems may occur. To ensure prompt and correct handling of any problems, or to answer any questions, please contact our Toll-Free Customer Service Number listed below. Service will be quicker if you have your Model Number (found on carton) and assembly instructions ready when calling. PLEASE WRITE YOUR MODEL NUMBER IN THE SPACE PROVIDED ABOVE.

#### SAFETY INSTRUCTIONS

FAILURE TO FOLLOW THESE SAFETY INSTRUCTIONS MAY RESULT IN SERIOUS INJURY, PROPERTY DAMAGE AND WILL VOID WARRANTY.

*Owner must ensure that all players know and follow these rules for safe operation of the system.*

To ensure safety, do not attempt to assemble this system without following the instructions carefully. Proper and complete assembly, use and supervision is essential for proper operation and to reduce the risk of accident or injury. A high probability of serious injury exists if this system is not installed, maintained, and operated properly. Check entire box and inside all packing material for parts and/or additional instructional material. Before beginning assembly, read the instructions and identify parts using the hardware identifier and parts list in this document.

- If using a ladder during assembly, use extreme caution.
- Two (2) people are recommended for this operation.
- Check base regularly for leakage. Slow leaks could cause system to tip over unexpectedly.
- Seat the pole sections properly (if applicable). Failure to do so could allow the pole sections to separate during play and/or transport of the system.
- Climate, corrosion or misuse could result in system failure.
- If technical assistance is required, contact Huffy Sports.
- Minimum operational height is 6' 6" (1.98 m) to the bottom of backboard.
- This equipment is intended for home recreational use only and NOT excessive competitive play.
- Read and understand the warning label affixed to pole. Label is shown to the right.
- The life of your basketball pole depends on many conditions. The climate, placement of the pole, the location of the pole, exposure to corrosives such as pesticides, herbicides or salts are all important.
- Adult supervision is recommended when adjusting height.

*Most injuries are caused by misuse and/or not following instructions. Use caution when using this system.*

For more information on assembly, placement, proper use and maintenance, visit The American Basketball Council website at <http://www.smarthoops.com>.

The NBA and individual NBA member team identifications reproduced on this product are trademarks and copyrighted designs, and/or other forms of intellectual property, that are the exclusive property of NBA Properties, Inc. and the respective NBA member teams and may not be used, in whole or in part, without the written consent of NBA Properties, Inc.

TUFF STUFF® and associated trademarks are owned and used with permission of Mattel, Inc. Huffy products are not sponsored, endorsed or authorized in any way by Mattel, Inc. or any of its affiliated or subsidiary companies.

#### REQUIRED TOOLS AND MATERIALS:

- Step Ladder 8 ft. (2.4m)
- (Two) 1/2" Wrenches or (Two) Adjustable Wrenches
- Phillips Screwdriver

*Most injuries are caused by misuse and/or not following instructions. Use caution when using this unit.*

1

#### WARNING

FAILURE TO FOLLOW THESE WARNINGS MAY RESULT IN SERIOUS INJURY AND/OR PROPERTY DAMAGE.

*Owner must ensure that all players know and follow these rules for safe operation of the unit.*

- See instruction manual for proper installation and maintenance.
- Use caution when performing dunk type activities on this unit.
- Do not hang from any part of unit, including backboard, support braces, rim or net.
- Check unit before each use for loose hardware, excessive wear and signs of corrosion and repair before using.
- During play, use extreme caution to keep player's face away from the backboard, rim or net. Serious injury could occur if teeth/face come in contact with backboard, rim or net.
- During play, do not wear jewelry (rings, watches, necklaces, etc.) Objects may entangle in net.

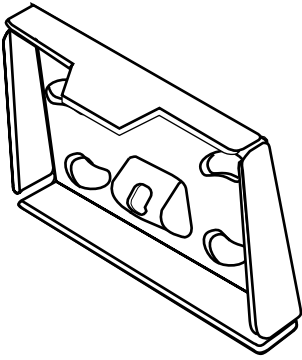
**HUFFY SPORTS**

In the U.S.: 1-800-558-5234 and Canada Only: 1-800-284-8339  
206118 5/97

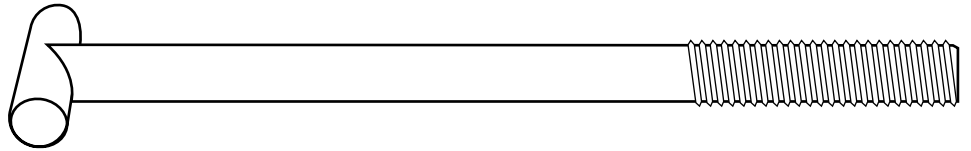
#### NOTICE TO ASSEMBLERS

ALL Huffy Sports basketball Systems, including those used for **DISPLAYS**, **MUST** be assembled and ballasted with sand or water according to instructions. Failure to follow instructions could result in **SERIOUS INJURY**. It is **NOT** acceptable to devise a makeshift weight system.

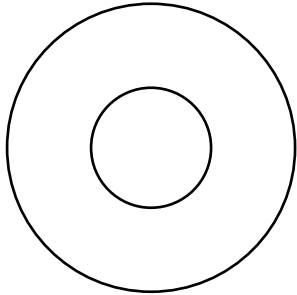
**HARDWARE IDENTIFIER**



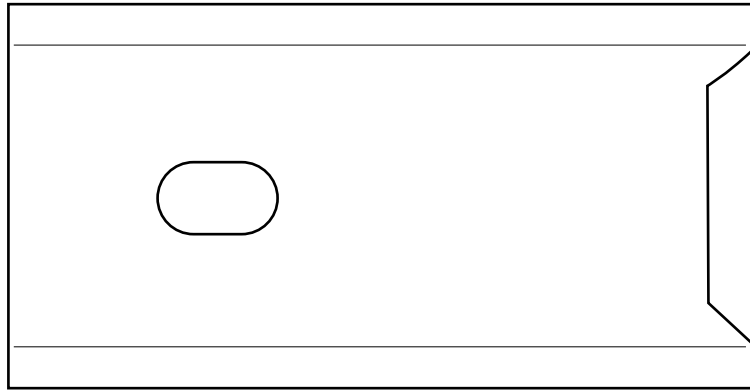
**Item #2 (1)**



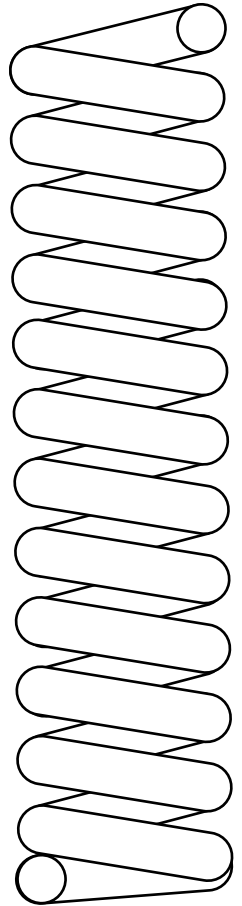
**Item #3 (1)**



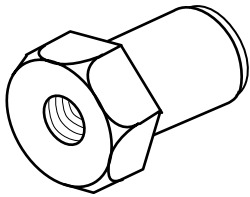
**Item #6 (1)**



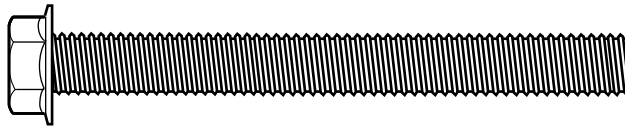
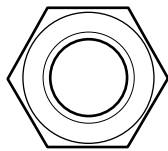
**Item #4 (1)**



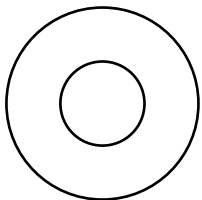
**Item #5 (1)**



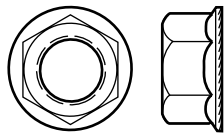
**Item #7 (1)**



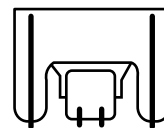
**Item #8 (4)**



**Item #10 (4)**



**Item #11 (4)\***



**Item #13 (12)**



**Item #16 (2)**

\* QUANTITY USED MAY VARY BY MOUNTING METHOD.

**ENGLISH INSTRUCTIONS**

**IMPORTANT! WRITE DOWN MODEL NUMBER FROM BOX ON PAGE 1 OF THIS OWNERS MANUAL**

1. Place slam jam bracket (2) over rim (12) as shown.
2. Insert "Tee" bolt (3) through slam jam bracket and rim. Place reinforcement bracket (4) and spring (5) over "Tee" bolt. Install washer (6) and nut (7) as shown.
3. Secure rim (12) to backboard as shown.
4. Install cover (15) over spring return mechanism. Install logo decal (17)
5. Install net clips (13).

**NOTE:** Net clips should not slide with ease. It is very important that the net clips are in the locked position before going on to next step.

*The Quick Clip™ rapid release net system lets the net pull away from the rim. This reduces the risk of player injury or property damage. However, improper installation or a ball making contact at an odd angle may disengage the net clip from the goal rim. Usually, the clip is reinstalled with little or no problem. We hope that you agree this inconvenience is minor when compared to the safety of the players.*

*Quick Clip: US Patent No. 5,792,010/5,795,253*

The two outer hooks on net clip must face towards inside of goal rim. Insert larger hole in net clip onto rim stud, push down on net clip, then slide net clip right, locking or snapping securely into position (clips must "snap" into place to insure a secure fit).

- ⚠ WARNING: USE OF THIS PRODUCT WITHOUT PROPER INSTALLATION OF NET CLIPS, OR WHEN ALL NET CLIPS ARE NOT PRESENT COULD RESULT IN BODILY HARM. BE SURE TO FOLLOW DIRECTIONS CAREFULLY.**

6. Install net (14).
 

**IMPORTANT! Make sure net is held by all three hooks on the net clip.**

  - A. Slide net into outer hook as shown.
  - B. Slide net into second outer hook creating a loop as shown. Push loop to back of clip.
  - C. Pull loop up and through back of clip, snapping over the middle hook.
  - D. Pull net down to make sure it is held securely by all three hooks.

**NOTE:** If net releases during normal play, net was improperly installed. Please review instructions to install net properly.

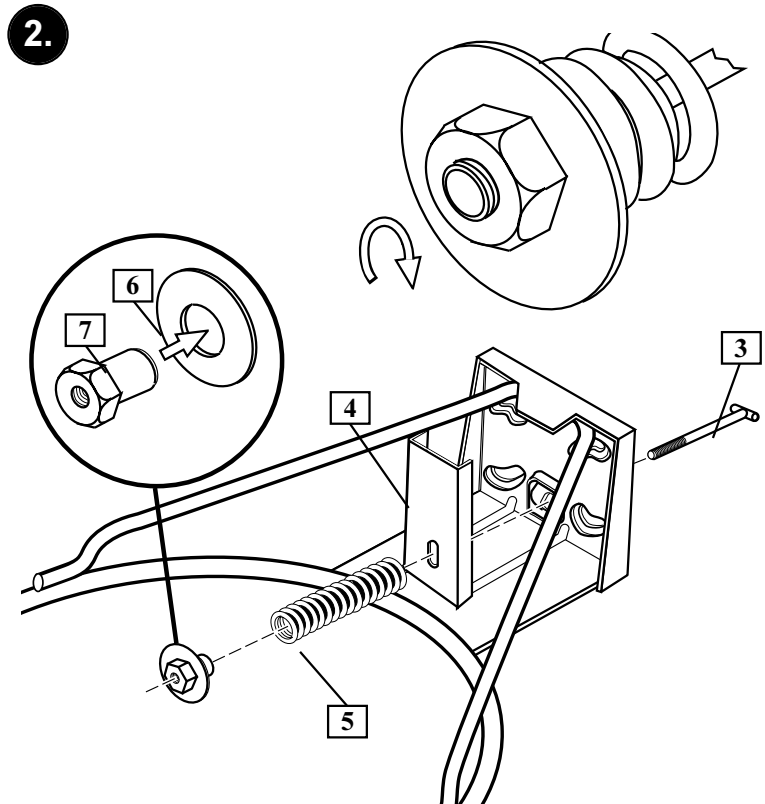
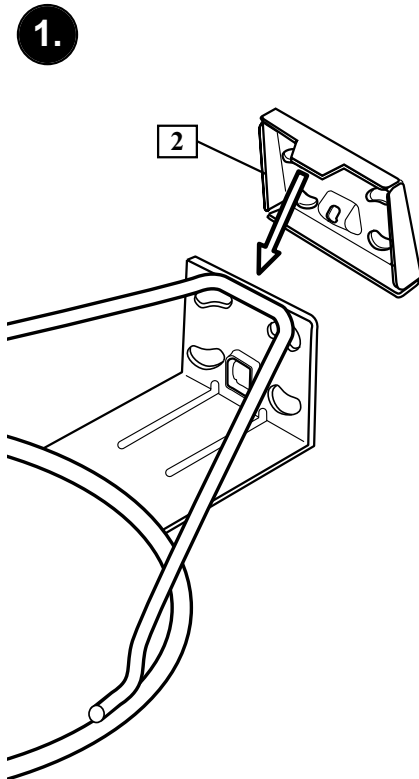
		<b>PARTS LIST (See Hardware Identifier)</b>	
<u>Item</u>	<u>Qty.</u>	<u>Part No.</u>	<u>Description</u>
1	1	206118	Warning Label
2	1	900033	Slam Jam Bracket, Black
3	1	203796	Bolt, "Tee" 3/8 - NC x 5 Long
4	1	200318	Bracket Reinforcement, Slam Jam
5	1	203472	Spring, Black
6	1	203470	Washer, Flat 5/8 I.D. x 1-1/2 O.D.
7	1	203795	Nut, Special 3/8-NC
8	4	201611	Hex Flange Bolt 5/16-18 x 3 Long
9	4	203104	Hex Flange Bolt 5/16-18 x 2 Long
10	4	203309	Washer, 1 O.D.
11	4*	203100	Hex Flange Nut, 5/16 x 18
12	1		Rim
13	12	200120	Clips, Net Holder (Red)
	12	200121	Clips, Net Holder (Black)
14	1	204281	Net
15	1	200503	Cover, Black
		200504	Cover, Red
16	2	200520	Screw, #8 x 1/2
17	1	202795	Logo, NBA

\* QUANTITY USED MAY VARY BY MOUNTING METHOD.

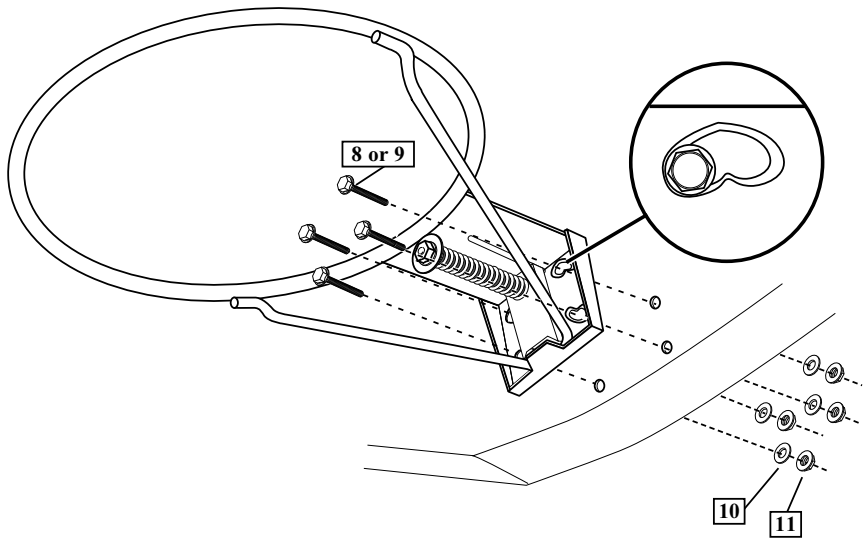
**WARRANTY CARD:**

Please remember to complete your product registration form either on-line at: [www.huffysports.com/warrantycard](http://www.huffysports.com/warrantycard) or mail-in the enclosed postcard.

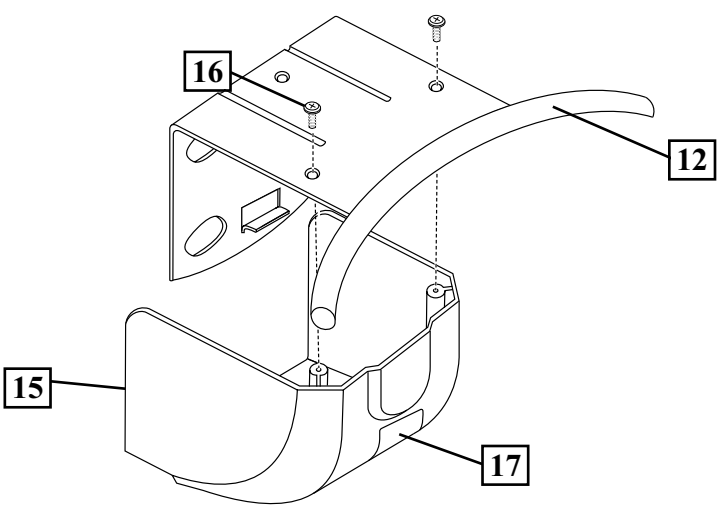
**IMPORTANT! WRITE MODEL NUMBER FROM BOX ONTO PAGE 1 OF THIS OWNERS MANUAL**



3.

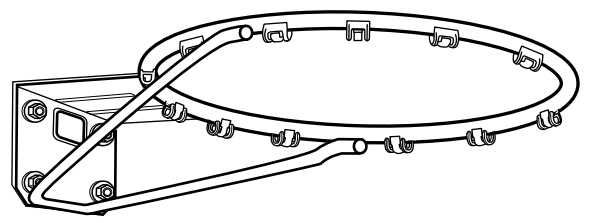


4.

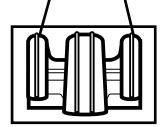


5.

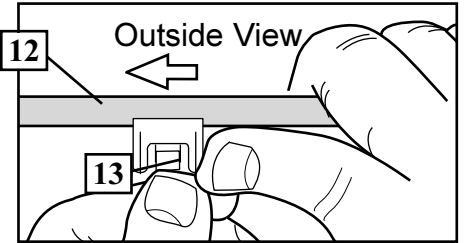
**⚠ WARNING**  
(See Text Page)



OUTER HOOKS



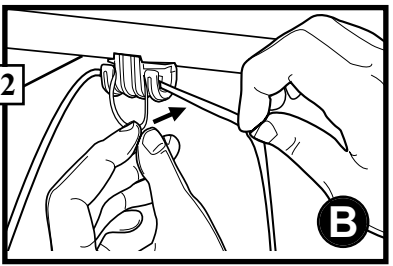
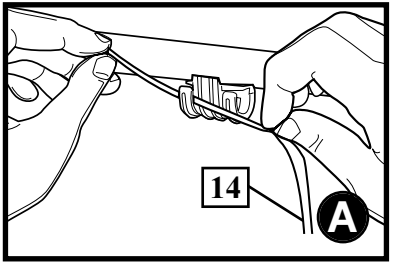
**Note**  
(See Text Page)



6.

**IMPORTANT!**  
(See Text Page)

FRONT VIEW



**Note**  
(See Text Page)

BACK VIEW

