

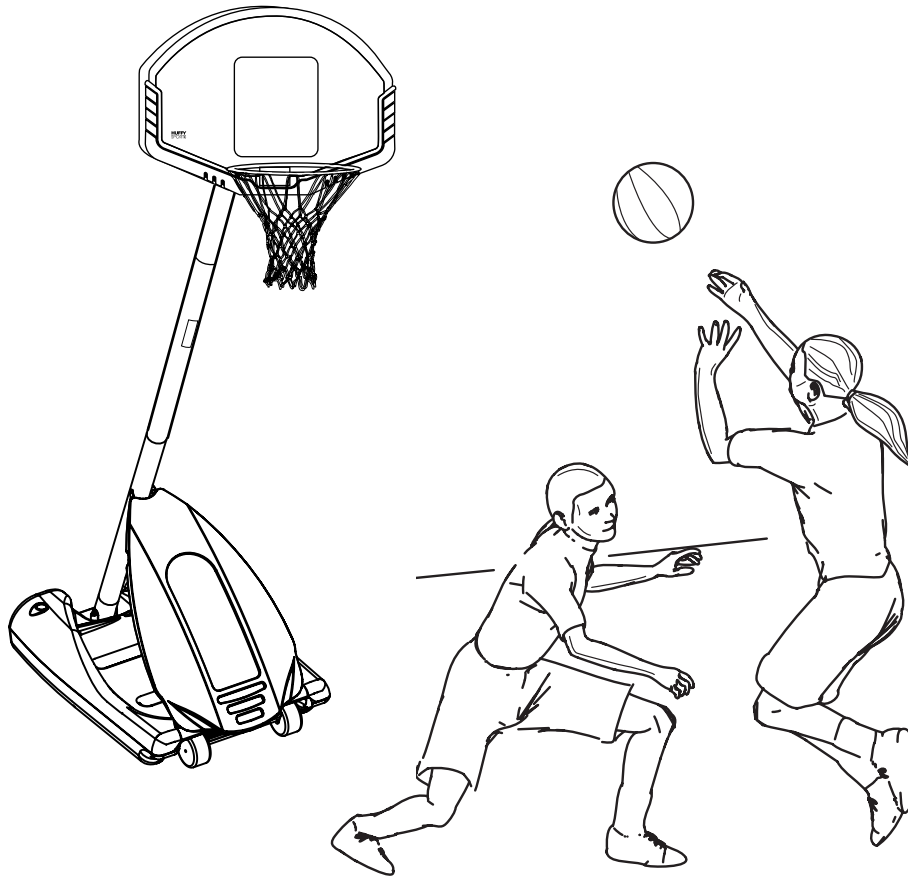
HUFFY[®]SPORTS

Portable Basketball System

Owners Manual

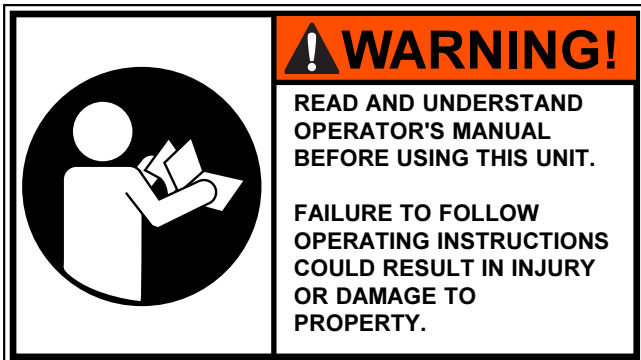
Customer Service Center

• N53 W24700 South Corporate Circle • Sussex, WI 53089 • U.S.A.



REQUIRED TOOLS AND MATERIALS:

- Two People
- Wood Board (Scrap)
- Tape Measure
- Step Ladder 8 ft. (2.4 m)
- Tape
- Garden Hose or Sand 360 lb. (163 kg)
- Hammer
- Wrenches: (Two) 3/4", (One) 1/2" (Two) 9/16" or equivalent sockets, (One) 1/2" Deep well socket with extension and socket wrench, 3/8 socket
- Support Table
- Phillips Head Screwdriver



! WARNING!

READ AND UNDERSTAND
OPERATOR'S MANUAL
BEFORE USING THIS UNIT.

FAILURE TO FOLLOW
OPERATING INSTRUCTIONS
COULD RESULT IN INJURY
OR DAMAGE TO
PROPERTY.

Toll-Free Customer Service Number for U.S: **1-800-558-5234**,

For Canada: **1-800-284-8339**,

For Europe: **00 800 555 85234** (Sweden: **009 555 85234**),

For Australia: **1-800-333 061**

Internet Address: <http://www.huffysports.com>



WARNING

**FAILURE TO FOLLOW THESE WARNINGS MAY RESULT
IN SERIOUS INJURY AND/OR PROPERTY DAMAGE.**

*Owner must ensure that all players know and follow
these rules for safe operation of the system.*

- **DO NOT HANG** on the rim or any part of the system including backboard, support braces or net.
- During play, especially when performing dunk type activities, keep player's face away from the backboard, rim and net. Serious injury could occur if teeth/face come in contact with backboard, rim or net.
- Do not slide, climb, shake or play on base and/or pole.
- After assembly is complete, fill system completely with water or sand and stake to the ground. Never leave system in an upright position without filling base with weight, as system may tip over causing injuries.
- When adjusting height or moving system, keep hands and fingers away from moving parts.
- Do not allow children to move or adjust system.
- During play, do not wear jewelry (rings, watches, necklaces, etc.). Objects may entangle in net.
- Surface beneath the base must be smooth and free of gravel or other sharp objects. Punctures cause leakage and could cause system to tip over.
- Keep organic material away from pole base. Grass, litter, etc. could cause corrosion and/or deterioration.
- Check pole system for signs of corrosion (rust, pitting, chipping) and repaint with exterior enamel paint. If rust has penetrated through the steel anywhere, replace pole immediately.
- Check system before each use for proper ballast, loose hardware, excessive wear and signs corrosion and repair before use.
- Check system before each use for instability.
- Do not use system during windy and/or severe weather conditions; system may tip over. Place system in the storage position and/or in an area protected from the wind and free from personal property and/or overhead wires.
- Never play on damaged equipment.
- See instruction manual for proper installation and maintenance.
- When moving system, use caution to keep mechanism from shifting.
- Keep pole top covered with cap at all times.
- Do not allow water in tank to freeze. During sub-freezing weather add non-toxic antifreeze, sand or empty tank completely and store. (Do not use salt.)
- Use extreme caution if placing system on sloped surface. System may tip over more easily.

HUFFY®SPORTS

In the U.S.: 1-800-558-5234 and Canada: 1-800-284-8339

201241 2/99



SAFETY INSTRUCTIONS



FAILURE TO FOLLOW THESE SAFETY INSTRUCTIONS MAY RESULT IN SERIOUS INJURY, PROPERTY DAMAGE AND WILL VOID WARRANTY.

Owner must ensure that all players know and follow these rules for safe operation of the system.

To ensure safety, do not attempt to assemble this system without following the instructions carefully. Proper and complete assembly, use and supervision is essential for proper operation and to reduce the risk of accident or injury. A high probability of serious injury exists if this system is not installed, maintained, and operated properly.

- If using a ladder during assembly, use extreme caution.
- Check base regularly for leakage. Slow leaks could cause the system to tip over unexpectedly
- Seat the pole sections properly (if applicable). Failure to do so could allow the pole sections to separate during play and/or during transport of the system.
- Climate, corrosion or misuse could result in system failure.
- If technical assistance is required, contact Huffy Sports.
- Minimum operational height is 6'6" (1.98m) to the bottom of backboard.

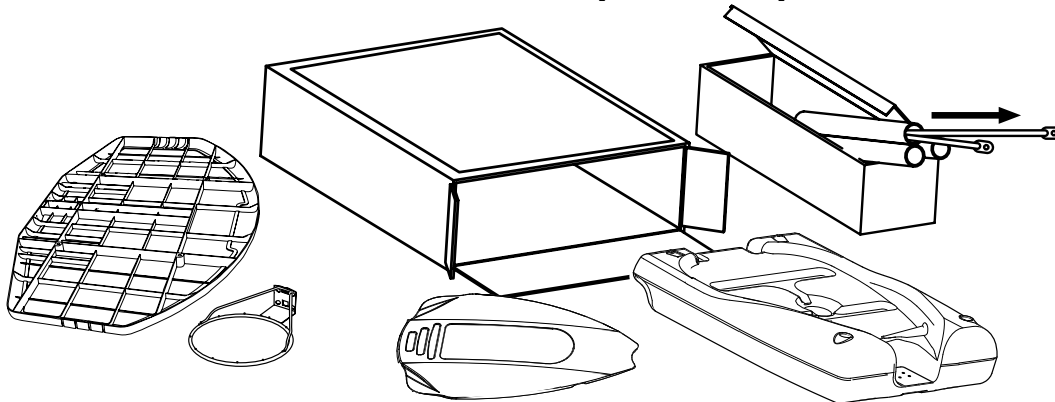
*Most injuries are caused by misuse and/or not following instructions.
Use caution when using this unit.*

NOTICE TO ASSEMBLERS

ALL Huffy Sports basketball Systems, including those used for DISPLAYS, MUST be assembled and ballasted with sand or water according to instructions. Failure to follow instructions could result in SERIOUS INJURY. It is NOT acceptable to devise a makeshift weight system.

IMPORTANT!

**Remove all contents from boxes.
Be sure to check inside pole sections;
hardware and additional parts are packed inside.**



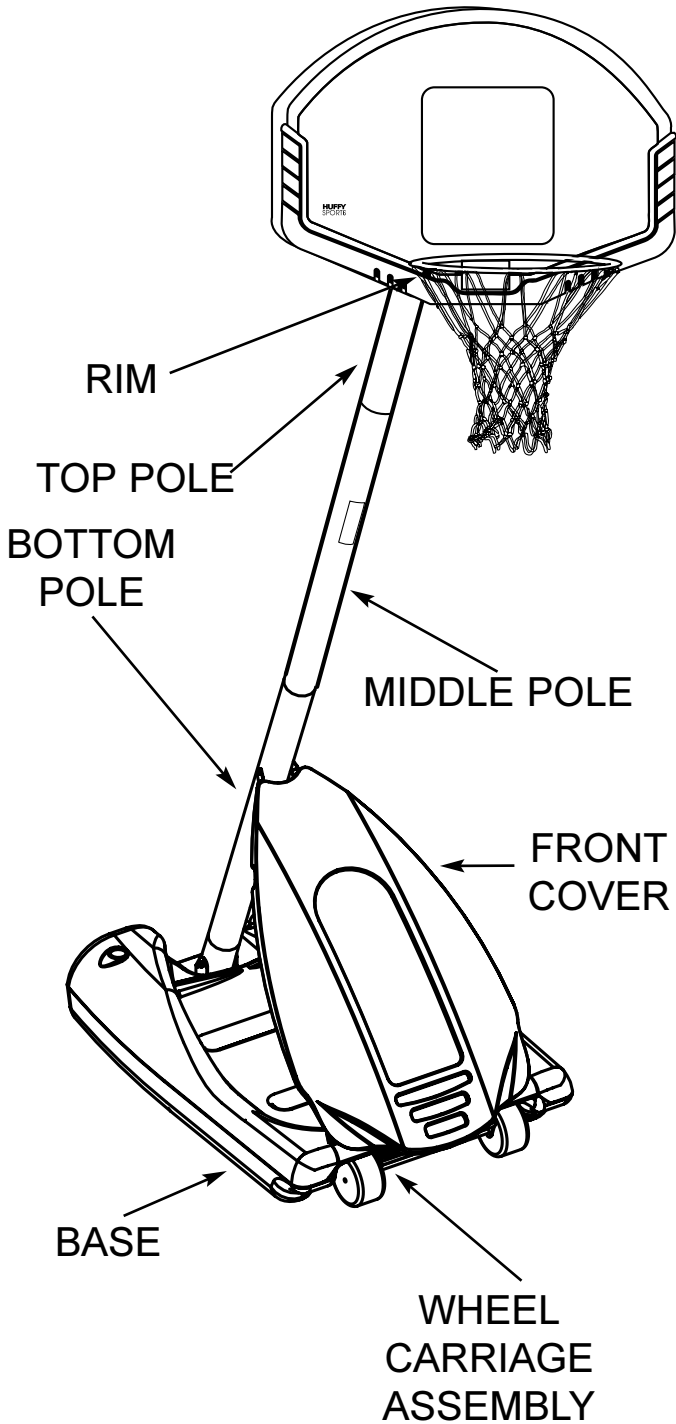
Questions or Missing Parts?

DON'T go back to store!

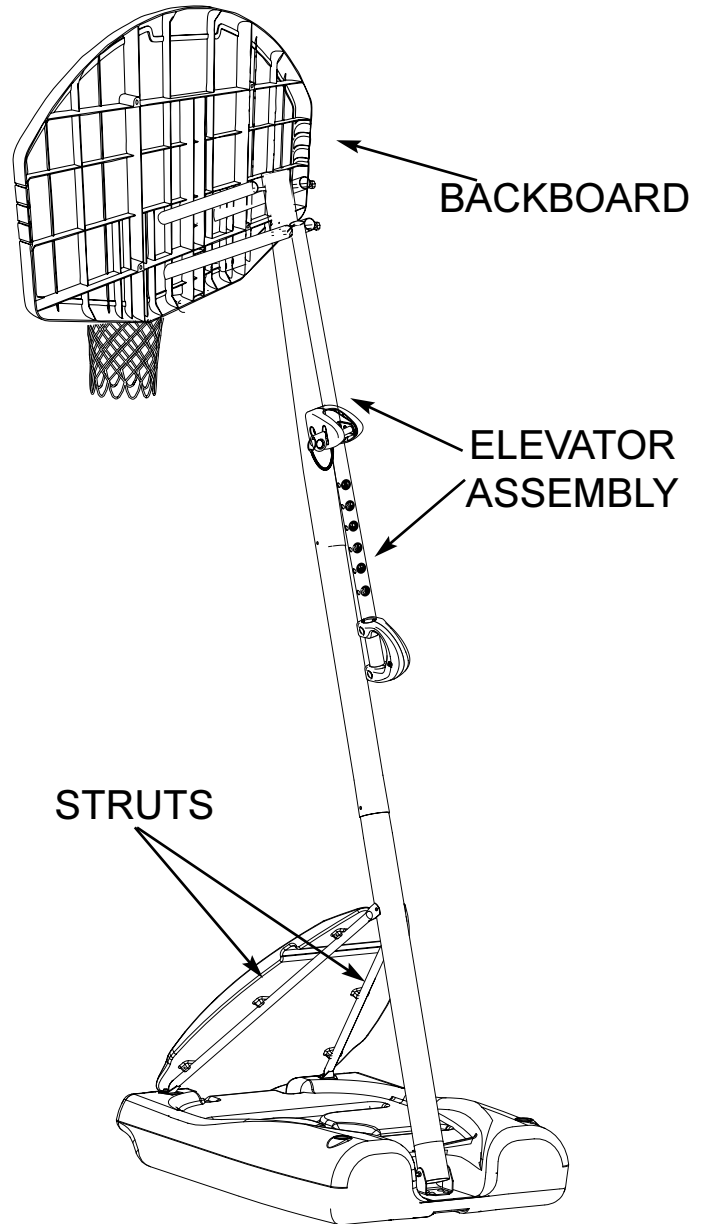
Call TOLL-FREE Customer Service
Number listed on the front page!

Get to know the basic parts of your basketball system.....

FRONT



BACK



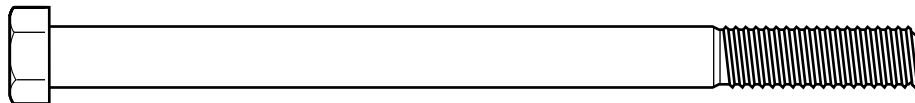
Item	Qty	Part No.	Description
1	1	908026	Top Pole Section
2	1	908107	Middle Pole Section (with Label)
3	1	908015	Bottom Pole Section
4	1	900223	Wheel Bracket
5	1	206940	Axle
6	2	226403	Wheel
7	2	206938	Pushnut
8	1	206660	Base
9	6	203156	Hex Bolt, 5/16-18 x 1
10	18	203218	Flat Washer, 5/16
11	21*	203100	Hex-Flange Nut, 5/16-18
12	1	201581	Pole Bracket
13	2	202662	Hex Bolt, 5/16-18 x 4.5
14	2	203099	Locknut, 5/16-18
15	4	203223	Carriage Bolt, 5/16-18 x 1
16	2	906410	Tank Strut
17	1	200516	Bolt Cover
18	1	206990	Reinforcement Bracket
19	3	203038	Carriage Bolt, 5/16-18 x 2-3/4 Long
20	8	202862	Spacer, Plastic, 1.19" Long
21	7*	206340	Locknut, 1/2-13
22	2	203053	Carriage Bolt, 5/16-18 x 4 Long
23	1	204872	Label, Height Indicator
24	2	204858	Spacer, Plastic, Biscuit
25	1	207103	Pole Cap
26	1	204853	Lanyard, Black Coil
27	1	204850	Pin, Locking
28	1	204832	Bracket, Pole Mount
29	4	206360	Hex Bolt, 3/8-16 x 2.625
30	2	201129	Spacer, Metal
31	4	201124	Locknut, 3/8-16
32	2	900867	Plate, Triangle
33	2	904807	Elevator Tube, Upper - Short
34	2	900183	Elevator Tube, Lower - Long
35	2	204859	Cover, Pin Slide
36	1	203124	Tie Down Stake
37	2	203617	Base Plug
38	1	201965	Front Cover
39	6*	203257	Tie Straps
40	1		Rim
41	4	203309	Washer, Flat
42	1	201252	Label, Height Adj and Moving
43	2	204857	Spacer, Metal 1/2" O.D. x 1.44 Long
44	4	203232	Flat Washer, 3/8
45	2	900846	Bracket, Backboard Support
46	1	240017	Bolt, Hex, 1/4-20 x 2.25" Long
47	1	202605	Bolt, Hex, 1/2-13 x 4.25" Long
48	1	204837	Spring, Counter Balance
49	4	201682	Spacer, .530 I.D. x 1.875
50	6	202532	Bolt, Hex, 1/2-13 x 9.5"
51	1	904866	Height Adjustment Rod
52	1	204855	Handle, Left
53	1	204856	Handle, Right
54	2	203103	Carriage Bolt, 5/16-18 x 2 Long
55	1	204803	Screw, Phillips Head
56	1	204444	Rope
57	12	201219	Smart Clips, Net Holder
58	1		Net
59	4	203113	Bolt, Hex Flange, 5/16-18 x 2.5" Long
60	1	203493	Locknut, 1/4-20

* You may have extra parts with this model.

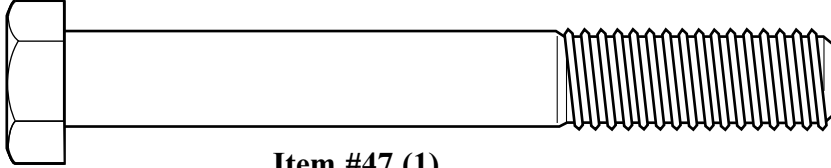
WARRANTY CARD:

Please remember to complete your product registration form either on-line at: www.huffysports.com/warrantycard or mail-in the enclosed postcard.

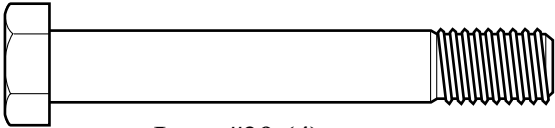
HARDWARE IDENTIFIER (BOLTS & SCREWS)



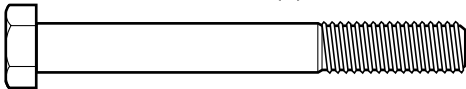
Item #13 (2)



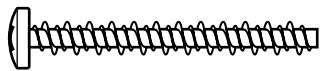
Item #47 (1)



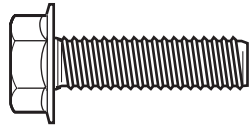
Item #29 (4)



Item #46 (1)



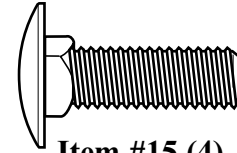
Item #55 (1)



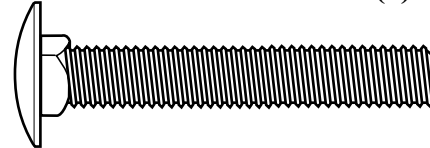
Item #59 (4)



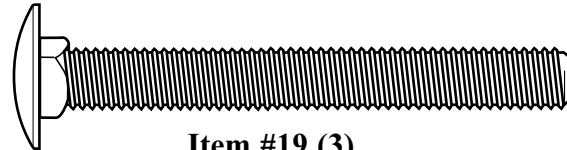
Item #9 (6)



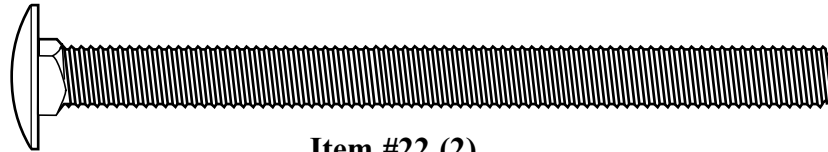
Item #15 (4)



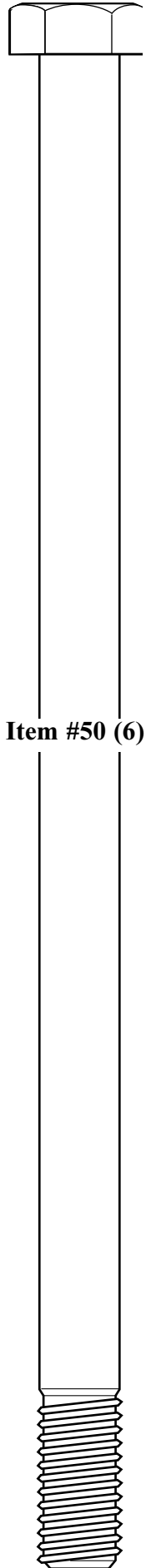
Item #54 (2)



Item #19 (3)

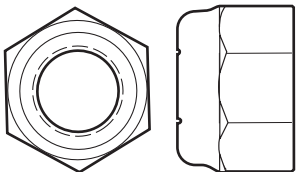


Item #22 (2)

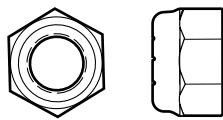


Item #50 (6)

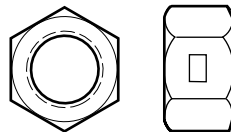
HARDWARE IDENTIFIER (NUTS, WASHERS & METAL SPACERS)



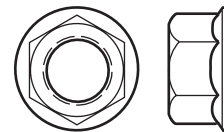
Item #21 (7)



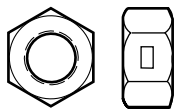
Item #14 (2)



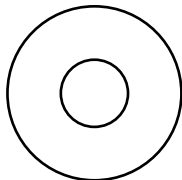
Item #31 (4)



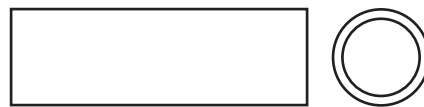
Item #11 (15)



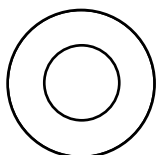
Item #60 (1)



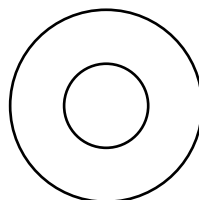
Item #10 (18)



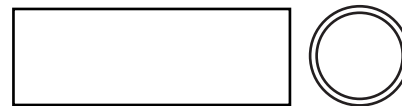
Item #30 (2)



Item #44 (4)

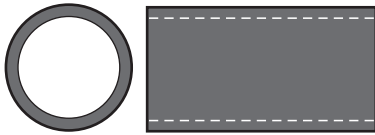


Item #41 (4)

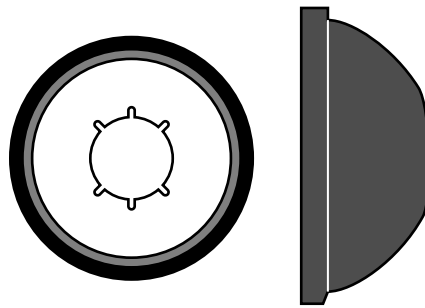


Item #43 (2)

HARDWARE IDENTIFIER (PLASTIC SPACERS & CAPS)



Item #20 (8)



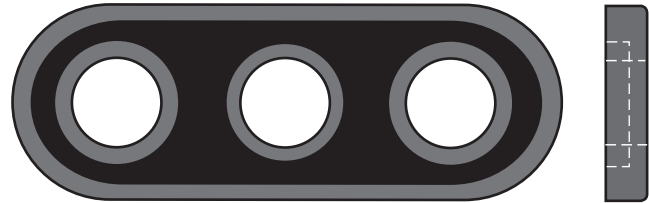
Item #7 (2)



Item #17 (1)



Item #49 (4)

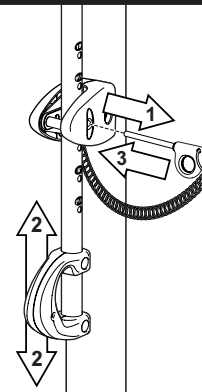


Item #24 (2)

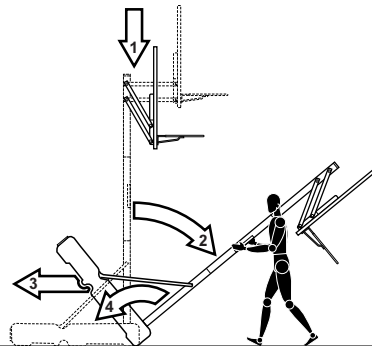
HEIGHT ADJUSTMENT

TO ADJUST BACKBOARD:

1. While holding handle, remove pin.
2. Move elevator up or down to desired height.
3. Replace pin full length to lock system at desired height.



MOVING SYSTEM

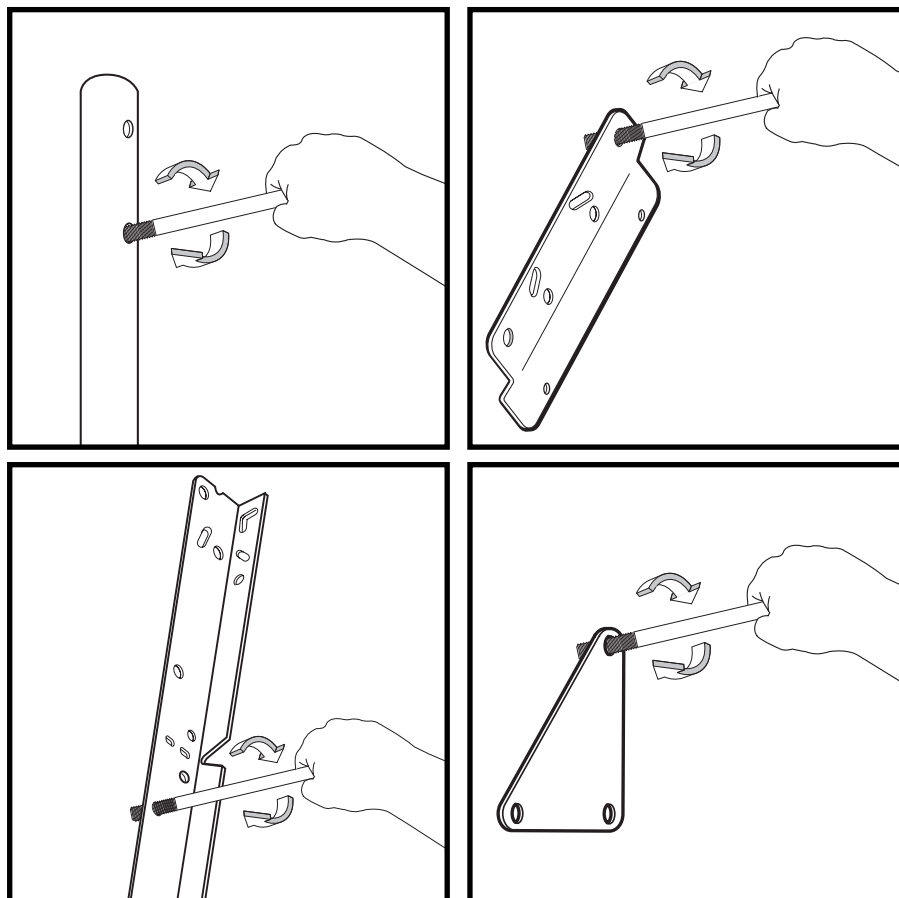


1. Adjust basketball backboard height to lowest position.
2. While holding pole, rotate basketball system forward until wheels engage with ground.
3. Move basketball system to desired location.
4. Carefully rotate basketball system upright.
5. Reattach ground restraint and check system for stability.

201252 2/99

Item #42 (1)

BEFORE YOU START!



To ensure optimal playability of backboard system, a close tolerance fit between the elevator components and hardware is required. Test fit large bolts into large holes of elevator tubes, backboard brackets and triangle plates. Carefully rock them in a circular motion to ream out any excess paint from holes if necessary.

AVANT DE COMMENCER !

Pour garantir l'utilisation optimale du panneau, les composants du système élévateur et la visserie doivent être bien ajustés (serrés). À titre d'essai, insérez les gros boulons dans les gros trous des tubes du système élévateur, des supports du panneau et des plaques triangulaires. Basculez-les avec précaution en imprimant un mouvement circulaire pour éliminer l'excédent de peinture, si nécessaire.

¡ANTES DE COMENZAR!

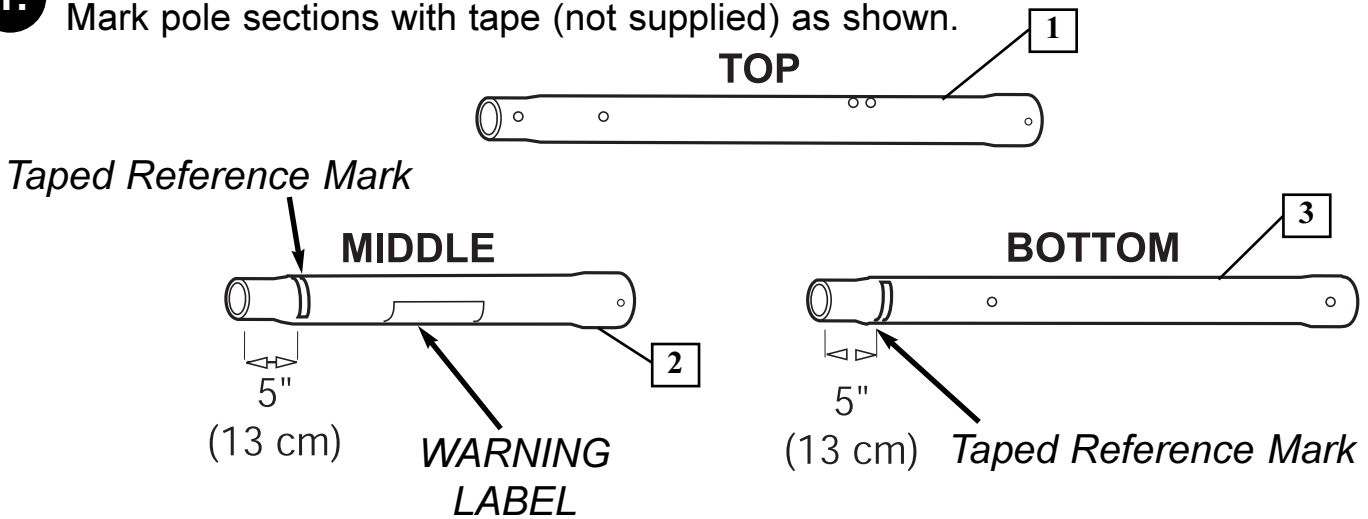
Para asegurar el óptimo rendimiento del sistema del respaldo en el juego, se requiere un ajuste de tolerancia estrecha entre los componentes del elevador y el herraje. Pruebe el ajuste de los pernos grandes en los orificios grandes de los tubos elevadores, soportes del respaldo y placas triangulares. Cuidadosamente muévalos en círculos para eliminar cualquier exceso de pintura, si es necesario.

VORBEREITENDE MASSNAHMEN

Um sicherzustellen, dass das Korbwandsystem optimal für den Spielbetrieb geeignet ist, müssen die Komponenten der Verlängerungsvorrichtung und die verschiedenen Befestigungsteile fest miteinander verschraubt werden. Große Schrauben zur Probe in die großen Löcher der Verlängerungsrohre, Korbwandklammern und Dreiecksplatte stecken und diese vorsichtig in einer Kreisbewegung hin- und herbewegen, um eventuelle Farbrückstände aus den Bohrungen zu entfernen.

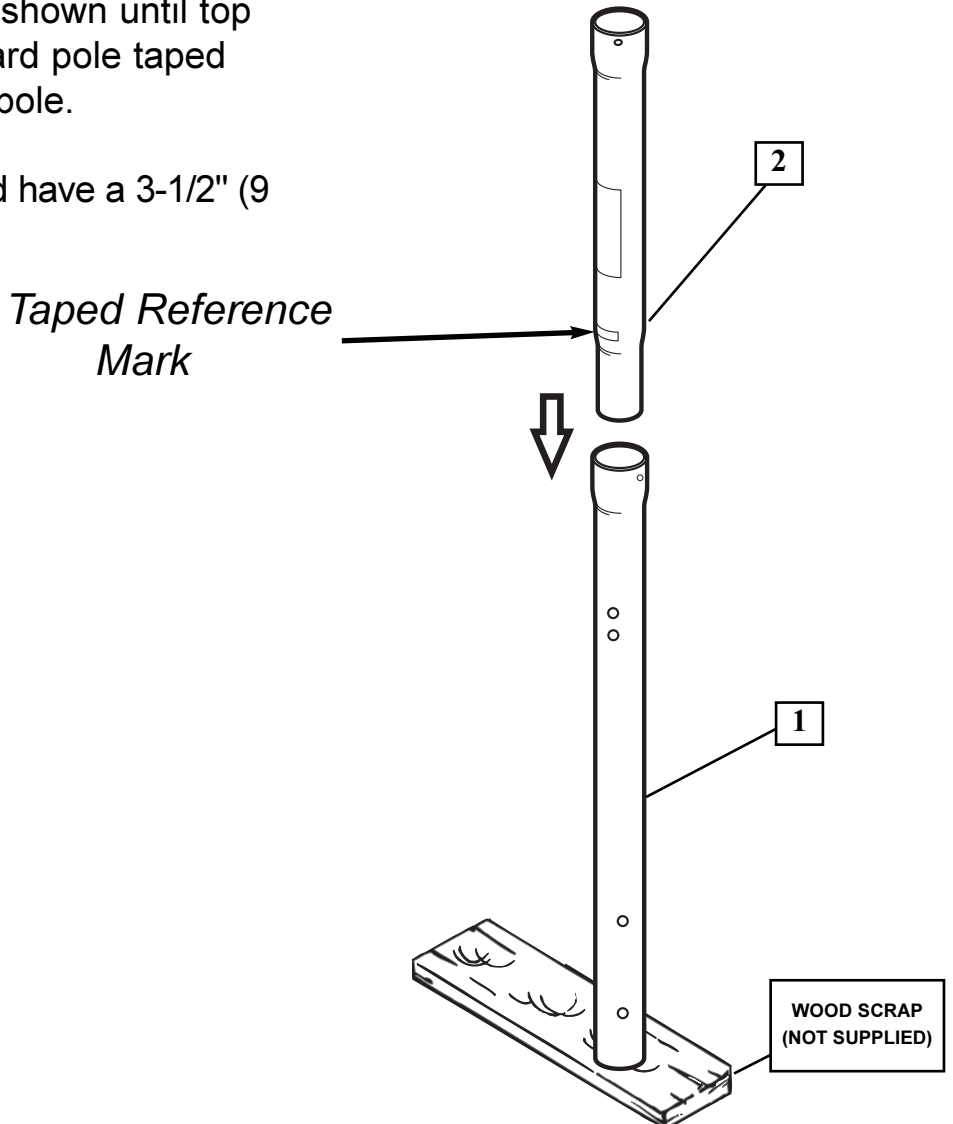
SECTION A: ASSEMBLE THE POLES

1. Mark pole sections with tape (not supplied) as shown.




2. Bounce middle pole (2) into top pole section (1) using a wood scrap as shown until top pole no longer moves toward pole taped reference mark on middle pole.

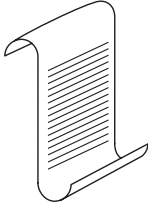
NOTE: Pole sections should have a 3-1/2" (9 cm) minimum overlap.



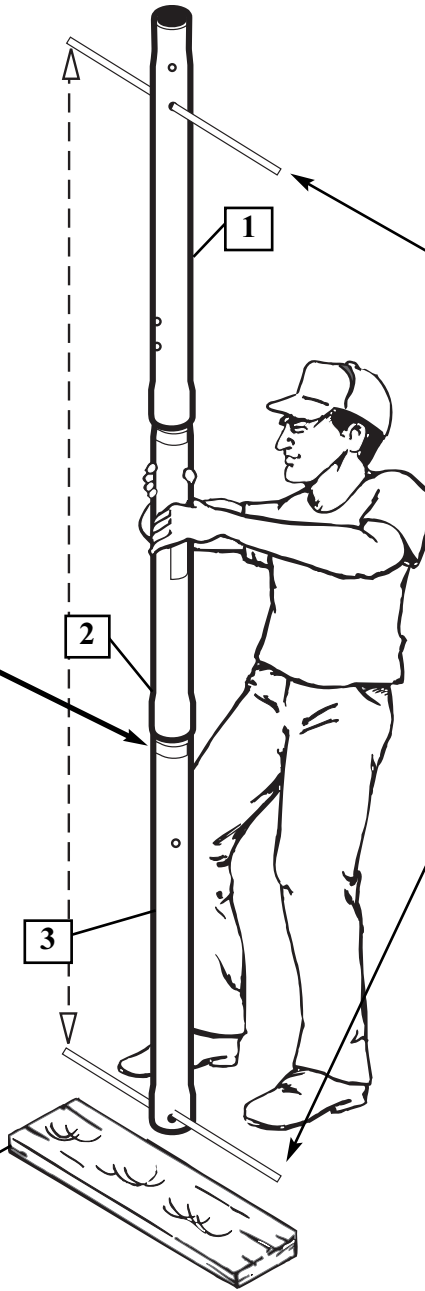
- 3.** Align top holes of top pole to bottom holes of bottom pole. While maintaining alignment, bounce top and middle pole assembly (1 & 2) onto lower section (3) using a wood scrap as shown until they no longer move toward pole identification mark on bottom pole (3).

	IMPORTANT!
	Holes in top (1) and bottom pole (3) sections MUST align to correctly position elevator system toward playing surface.

Taped Reference Mark

	NOTE:
	POLE SECTIONS SHOULD HAVE A 3-1/2" (9 CM) MINIMUM OVERLAP.

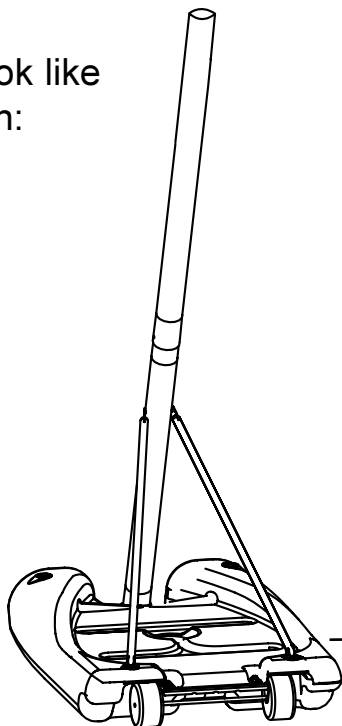
WOOD SCRAP
(NOT SUPPLIED)



RODS SHOWN ARE FOR VISUAL REPRESENTATION OF ALIGNMENT AND ARE NOT SUPPLIED WITH THE HARDWARE

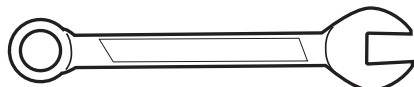
SECTION B: ASSEMBLE THE BASE

This is what your system will look like when you've finished this section:



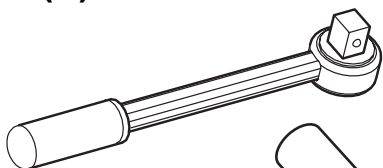
TOOLS REQUIRED FOR THIS SECTION

(2) 1/2" AND (2) 9/16" Wrenches



AND/OR

(2) Socket Wrenches and Sockets



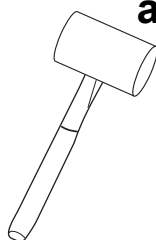
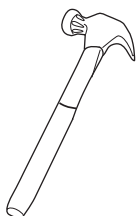
1/2"



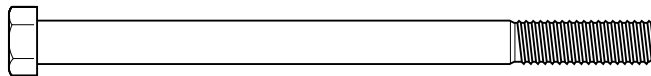
9/16"

AND

a Hammer or Mallet



HARDWARE USED IN THIS SECTION (not actual size)



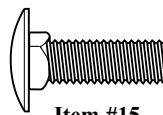
Item #13



Item #9



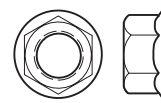
Item #14



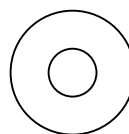
Item #15



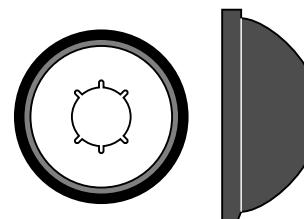
Item #17



Item #11



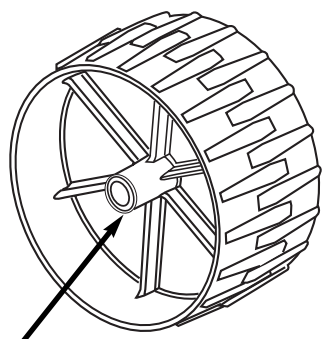
Item #10



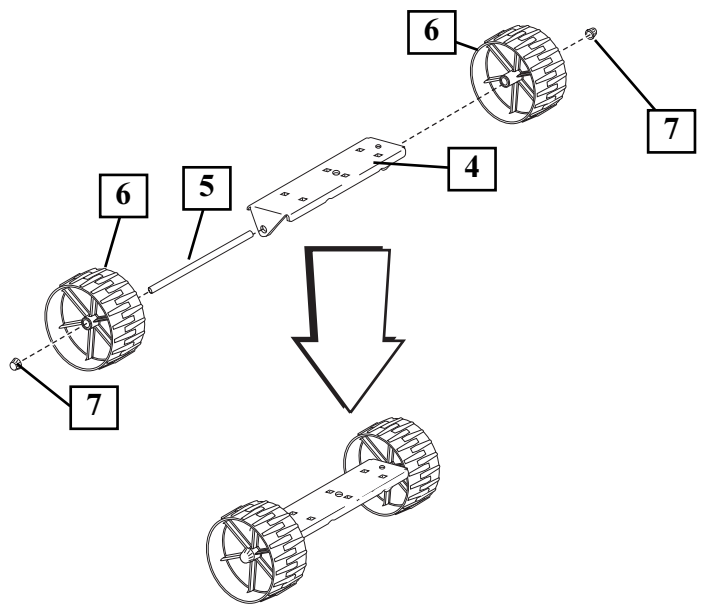
Item #7

- 1.** Insert axle (5) through wheel bracket (4). Secure wheels (6) to axle using pushnuts (7). Carefully tap pushnuts onto axle with hammer or mallet

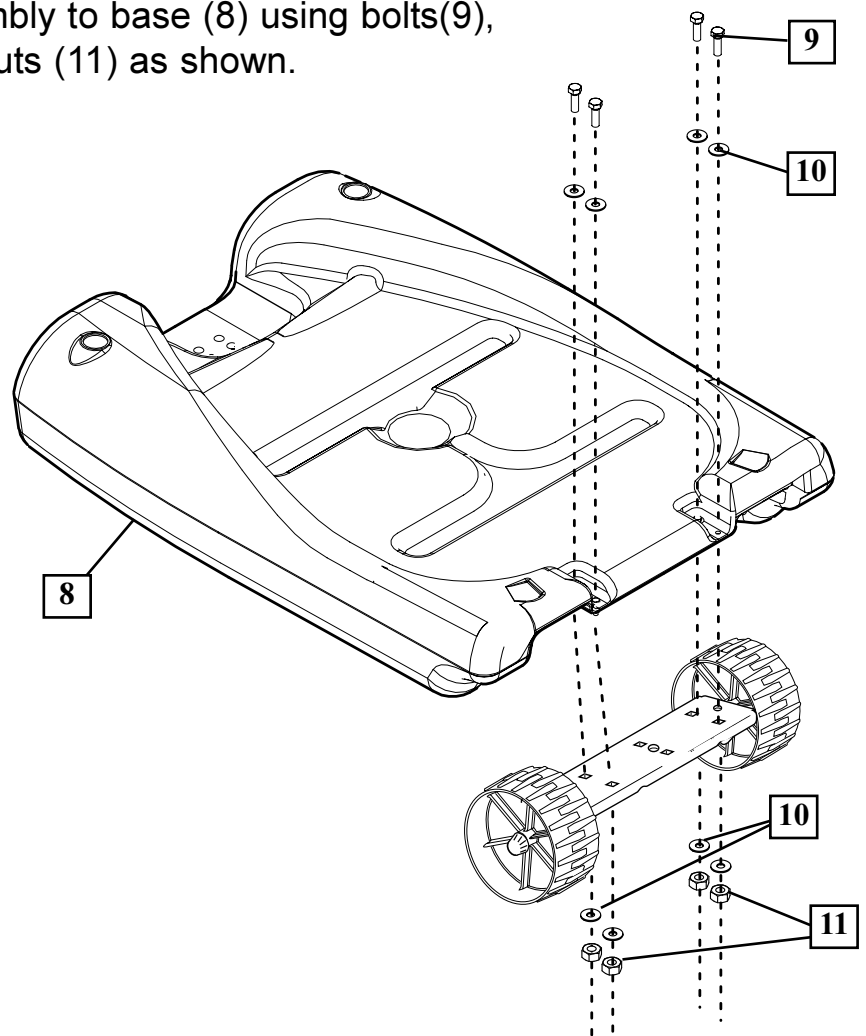
IMPORTANT!



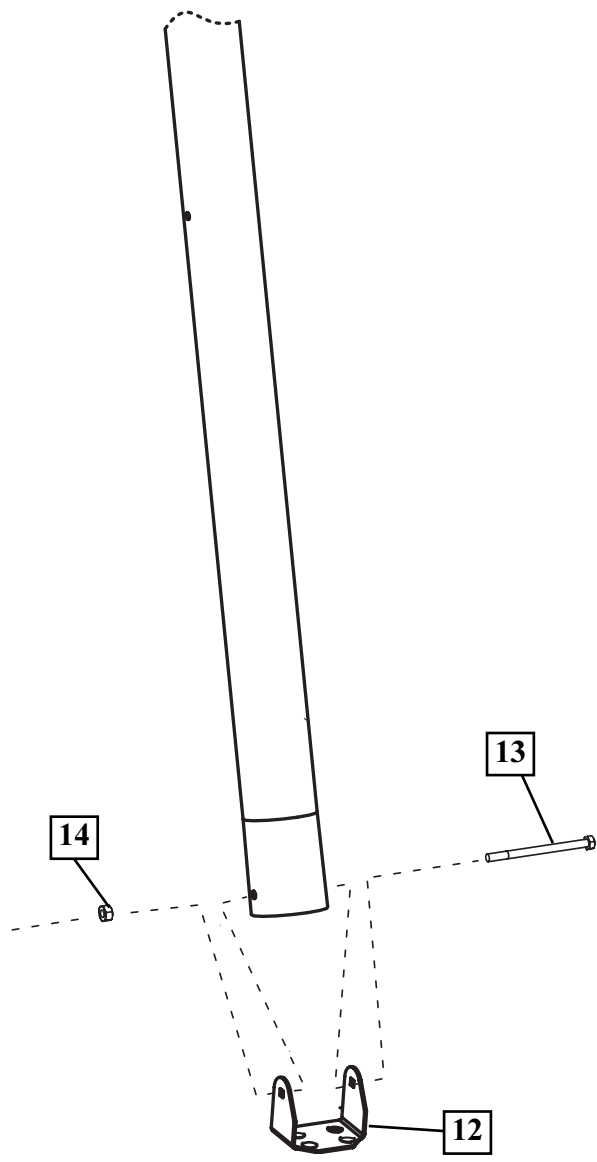
SIDE OF WHEEL WITH LONGER PLASTIC AXLE NEEDS TO FACE THE WHEEL BRACKET.



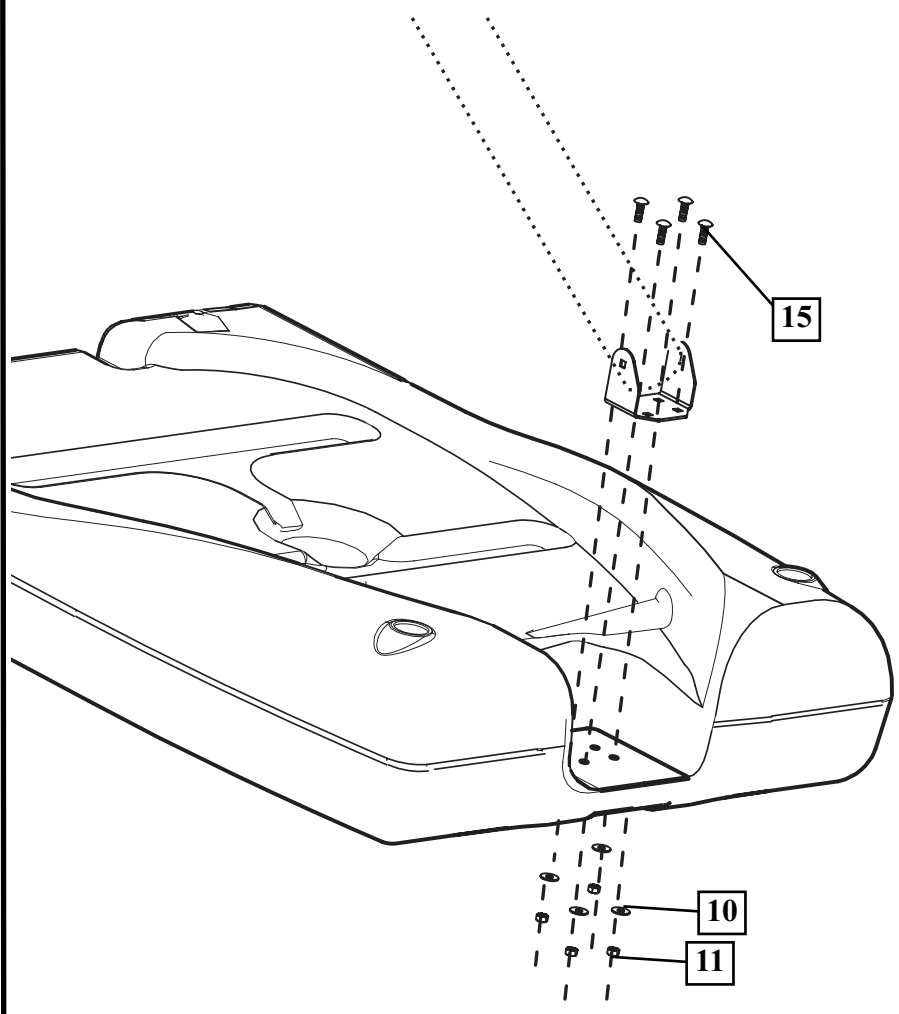
- 2.** Install wheel assembly to base (8) using bolts(9), washers(10) and nuts (11) as shown.



3. Assemble pole bracket (12) using bolt (13) and locknut (14) as shown.



4. Attach pole assembly to base using carriage bolts (15) washers(10) and nuts (11) as shown. Two people are required for this step.

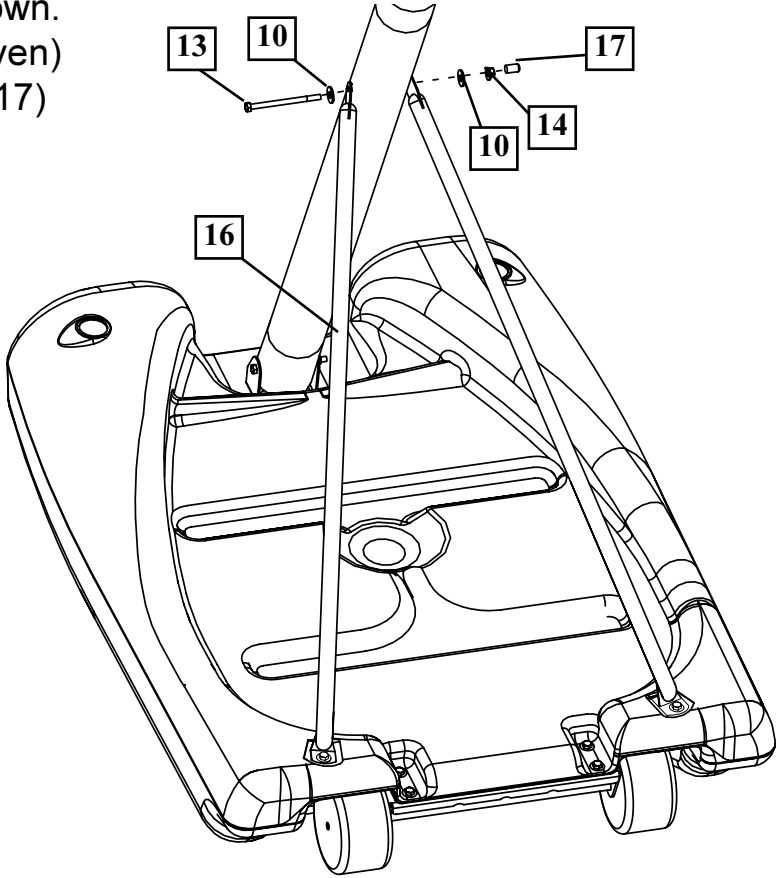


	! WARNING!
	<p>TWO PEOPLE REQUIRED FOR THIS PROCEDURE. FAILURE TO FOLLOW THIS WARNING COULD RESULT IN SERIOUS INJURY AND/OR PROPERTY DAMAGE.</p>

IMPORTANT!:
<p>THE CUT CORNERS OF THE POLE BRACKET NEED TO FACE TOWARD THE BACK OF THE BASE AS SHOWN.</p>

	IMPORTANT!:
	<p>DO NOT OVER TIGHTEN</p>

5. Secure tank struts (16) to pole as shown. Nut should be tightened until flush (even) with locknuts outer edge. Place cap (17) over exposed end of bolt as shown.

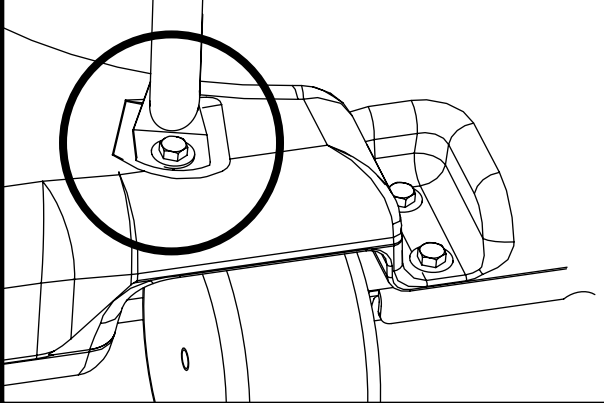




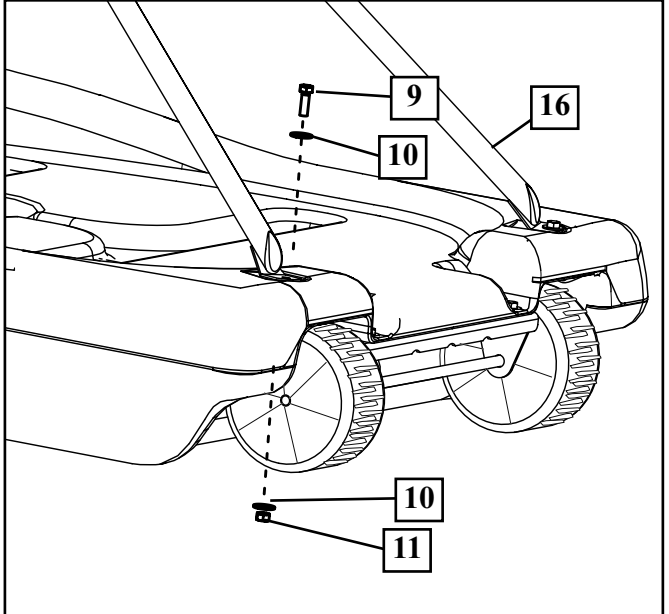
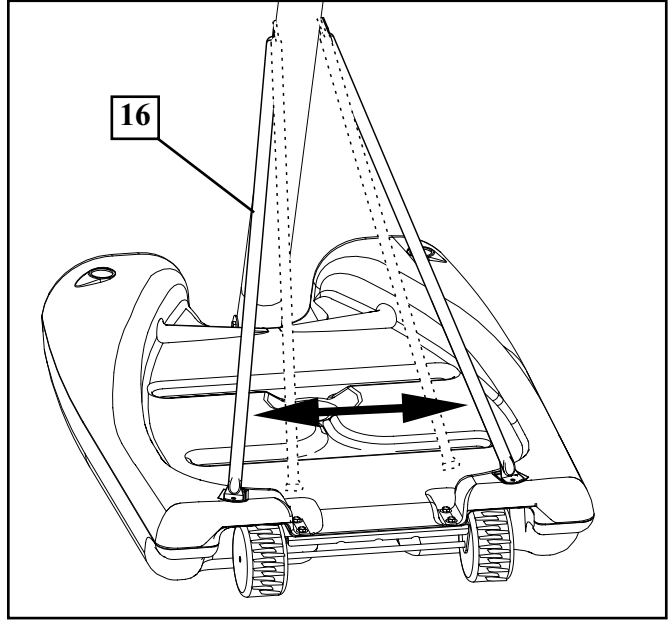
! WARNING!

TWO PEOPLE REQUIRED FOR THIS PROCEDURE. FAILURE TO FOLLOW THIS WARNING COULD RESULT IN SERIOUS INJURY AND/OR PROPERTY DAMAGE.

! IMPORTANT!:

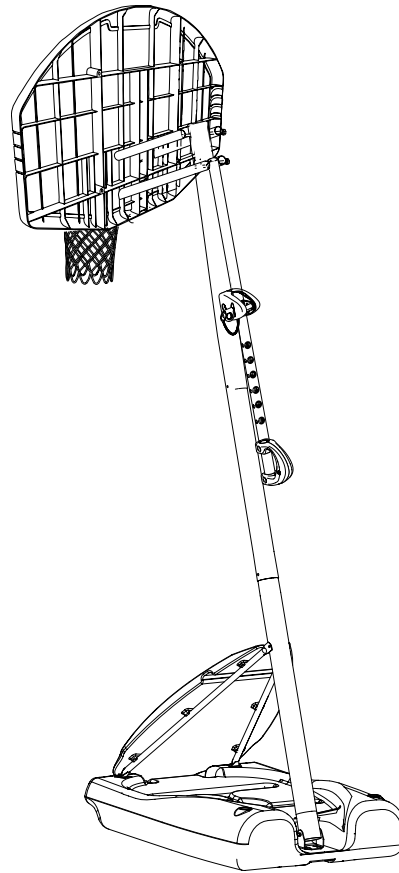


6. Rotate non-secured ends of tank struts (16) outward to mounting holes in tank as shown. Secure ends of tank struts (16) to tank as shown. Repeat for opposite side.



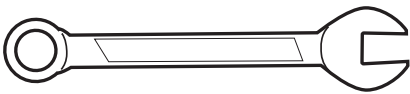
SECTION C: ASSEMBLE THE ELEVATOR & BACKBOARD

This is what your system will look like when you've finished this section:

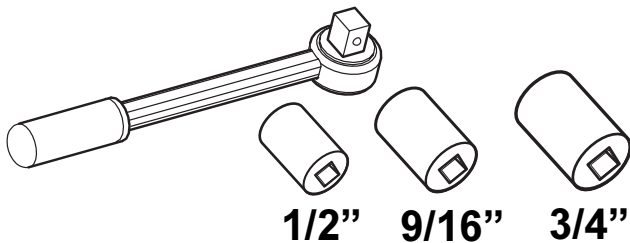


TOOLS REQUIRED FOR THIS SECTION

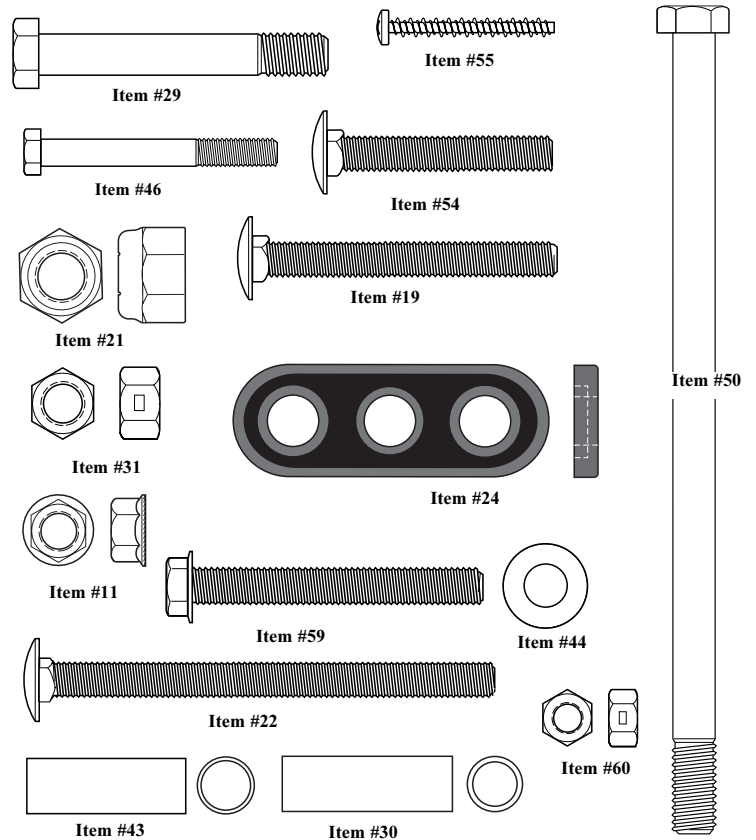
(2) 1/2", (2) 9/16" AND (2) 3/4" Wrenches



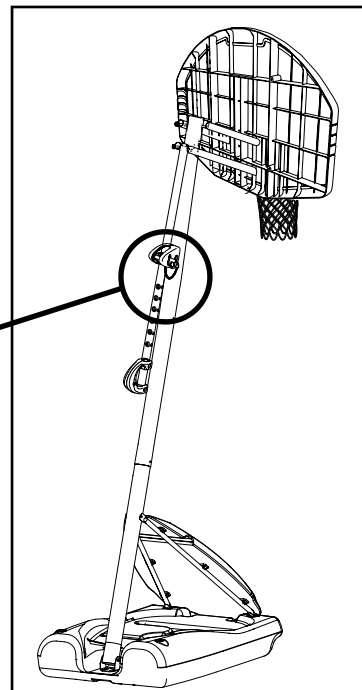
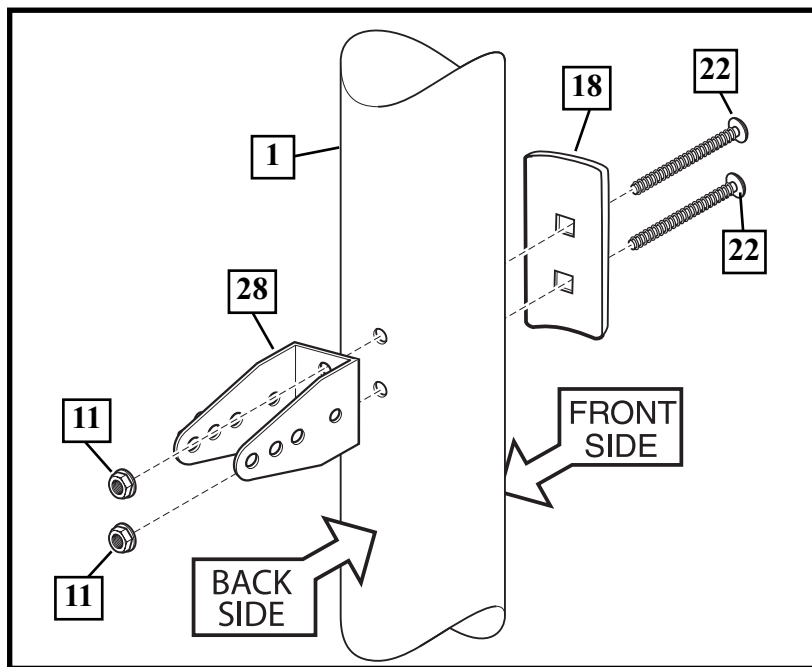
**AND/OR
(2) Socket Wrenches and Sockets**



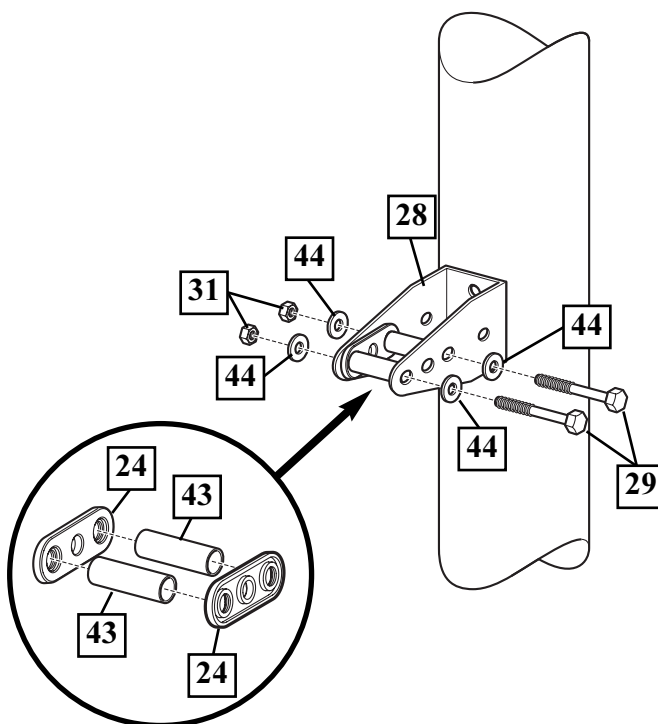
HARDWARE USED IN THIS SECTION (not actual size)



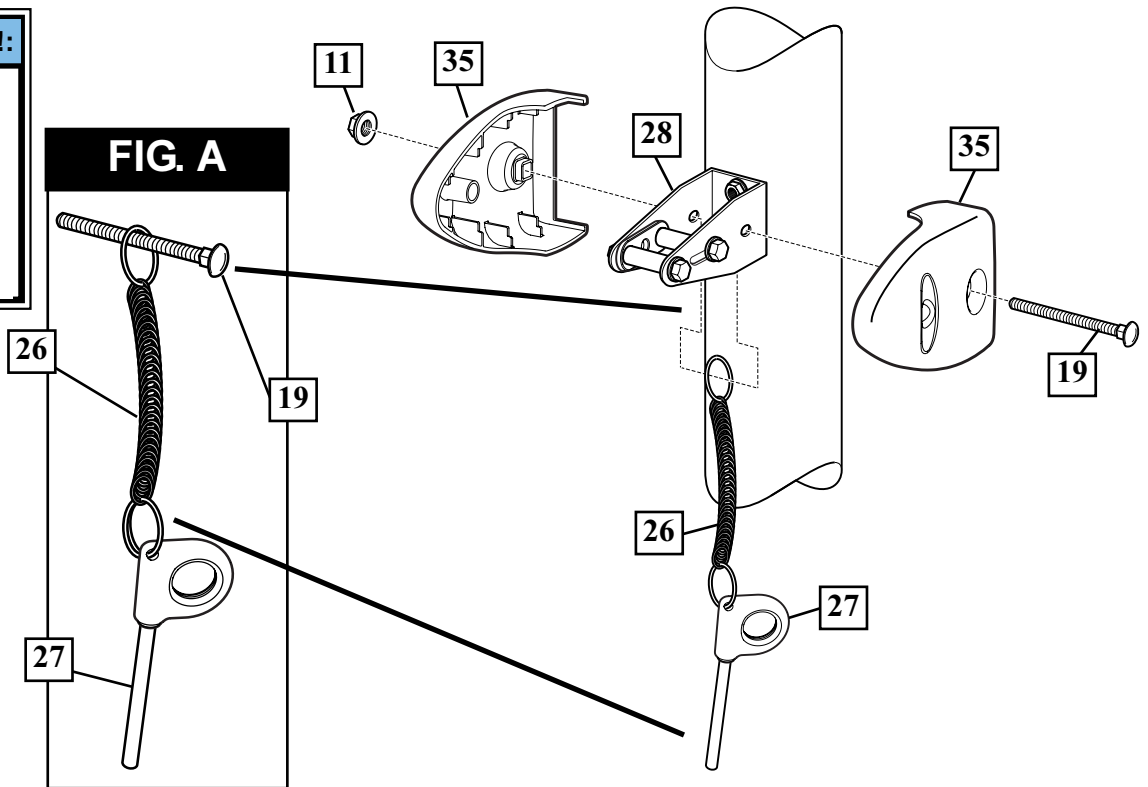
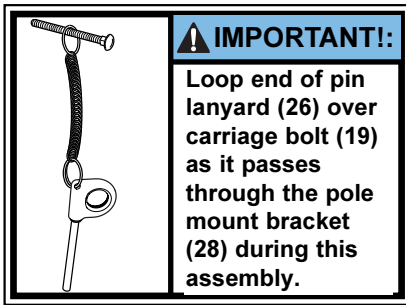
1. Install pole mount bracket (28) and reinforcement bracket (18) with carriage bolts (22) as shown. Tighten flange nuts (11) completely.



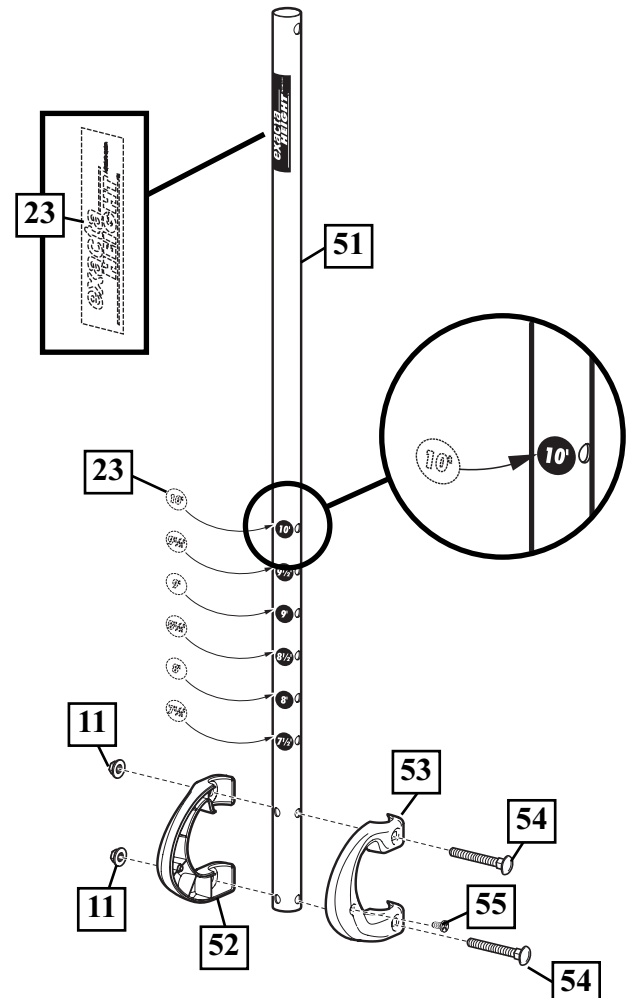
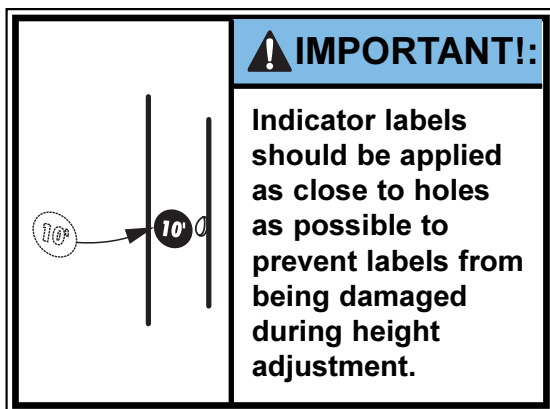
2. Attach spacers (24, 43) to pole mount bracket (28) with bolts (29), washers (44), and lock nuts (31) as shown. **IMPORTANT! Tighten just until washers (44) stop moving.**

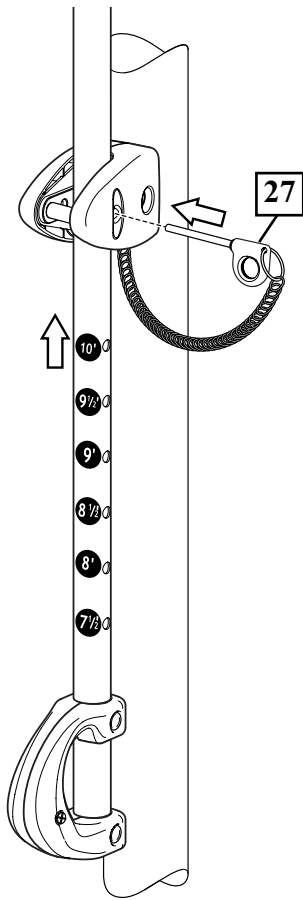


- 3.** Assemble lanyard (26) to locking pin (27) as shown (FIG A). Attach covers (35) onto pole mount bracket (28) with carriage bolt (19) and nut (11) as shown.



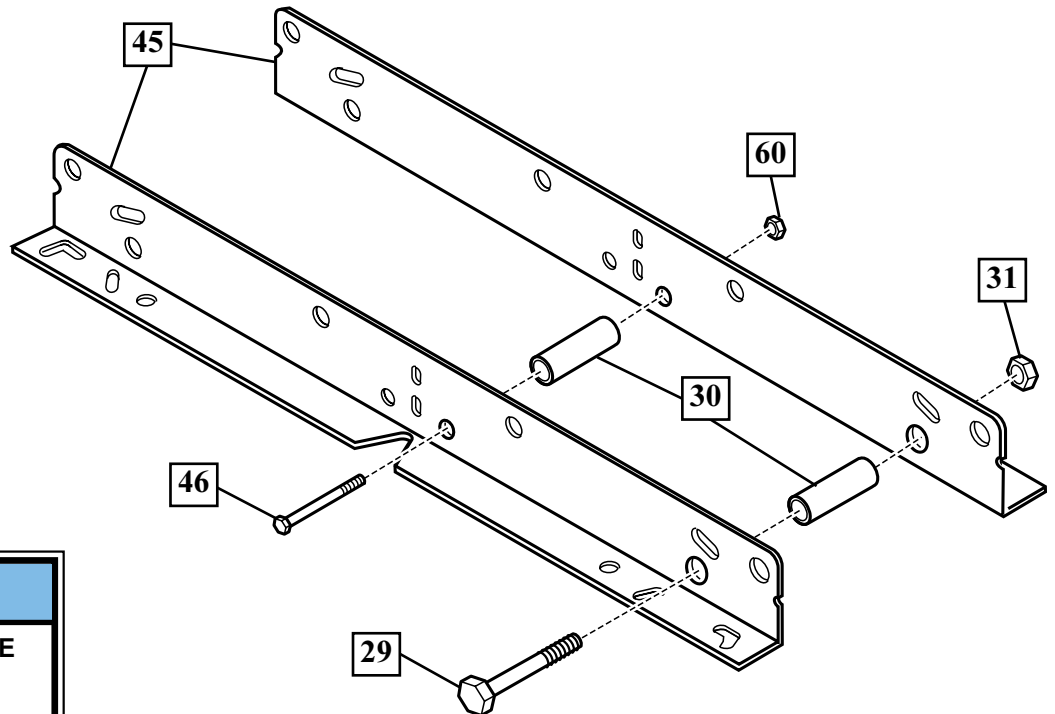
- 4.** Apply logo and height indicator labels (23) to adjustment rod (51) as shown. Attach handle parts (52, 53) to adjustment rod with screw (55), carriage bolts (54), and flange nuts (11) as shown.





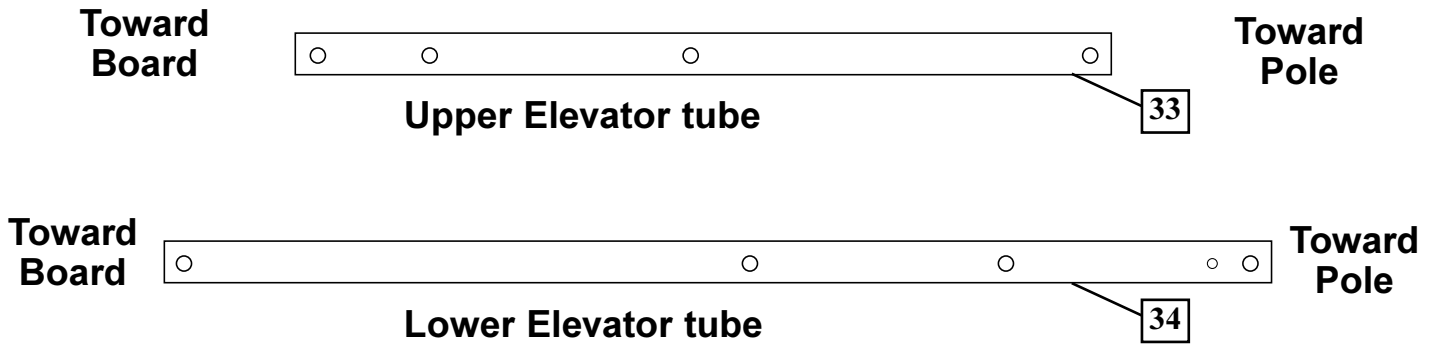
- 5.** Insert handle assembly through pole mount assembly as shown. Lock pole assembly in place at the 10' (3.05 m) mark with pin (27).

- 6.** Install spacers (30) onto backboard brackets (45), with bolts (46, 29) and lock nuts (60, 31) as shown.

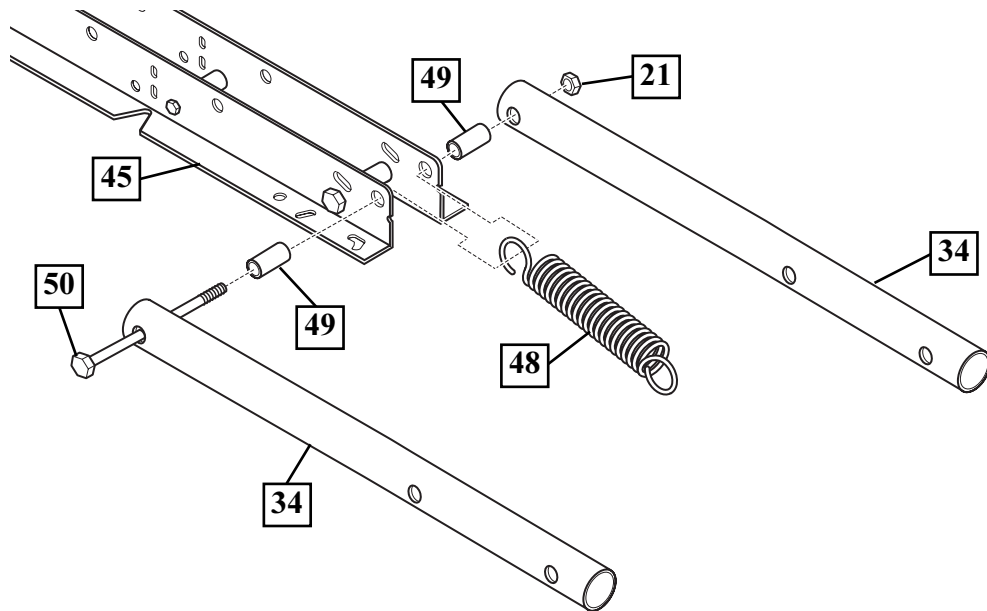


IMPORTANT!:
 KEEP HARDWARE LOOSE
 UNTIL AFTER STEP 8 IS
 COMPLETED.

7. Identify elevator tubes (33 & 34).



Attach lower elevator tubes (34) and counter balance spring (48) to backboard support brackets (45) using spacers (49), bolt (50), and nut (21) as shown.

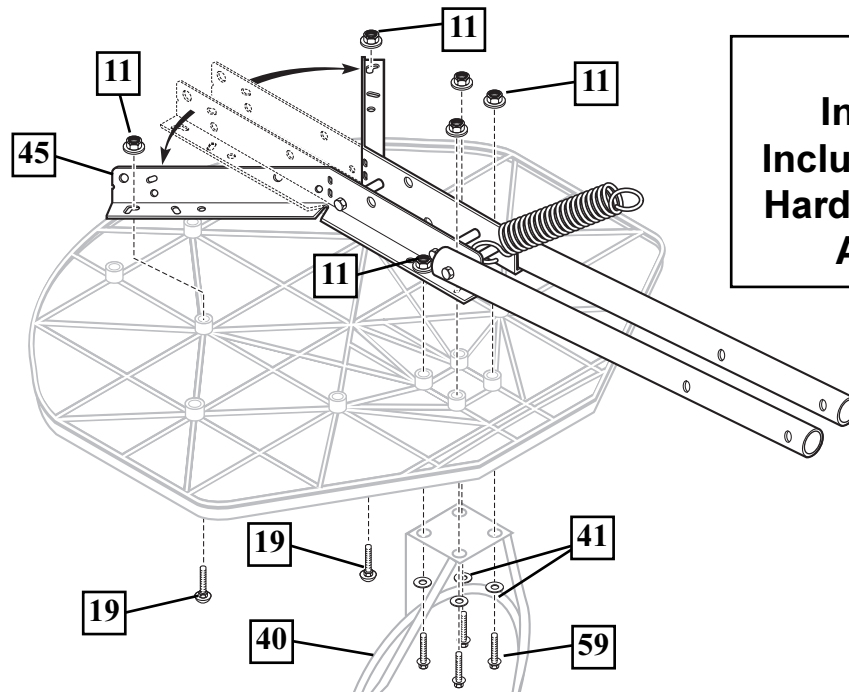


- 8.** Starting with nuts (11) flush against bracket (45) secure rim (40) and bracket to backboard.

IMPORTANT! For spring loaded rim assembly, refer to instructions included with rim hardware.

NOTE: Rim mounting nuts and bolts supplied with rim hardware.

NOTE: DO NOT use washers here on spring return style rims.

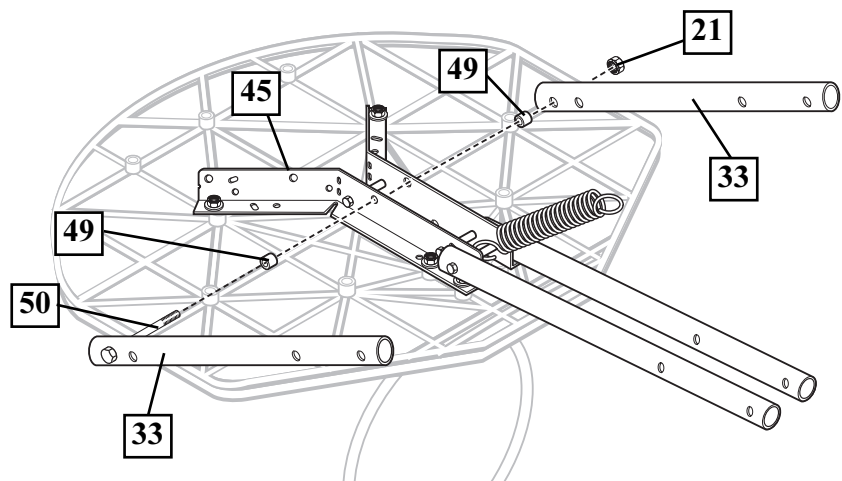


**Refer To
Instructions
Included With Rim
Hardware For Rim
Assembly.**

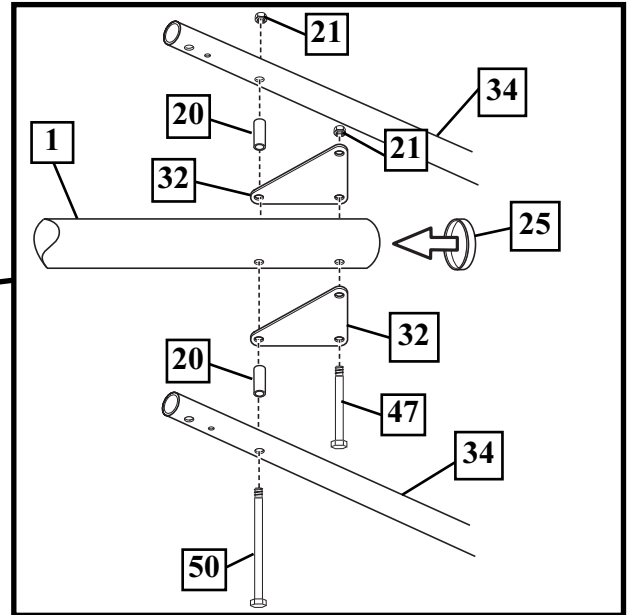
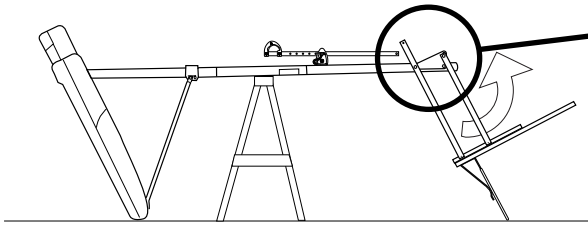
- 9.** Attach upper elevator tubes (33) to backboard support brackets (45) using spacers (49), bolt (50), and nut (21) as shown.

IMPORTANT!:

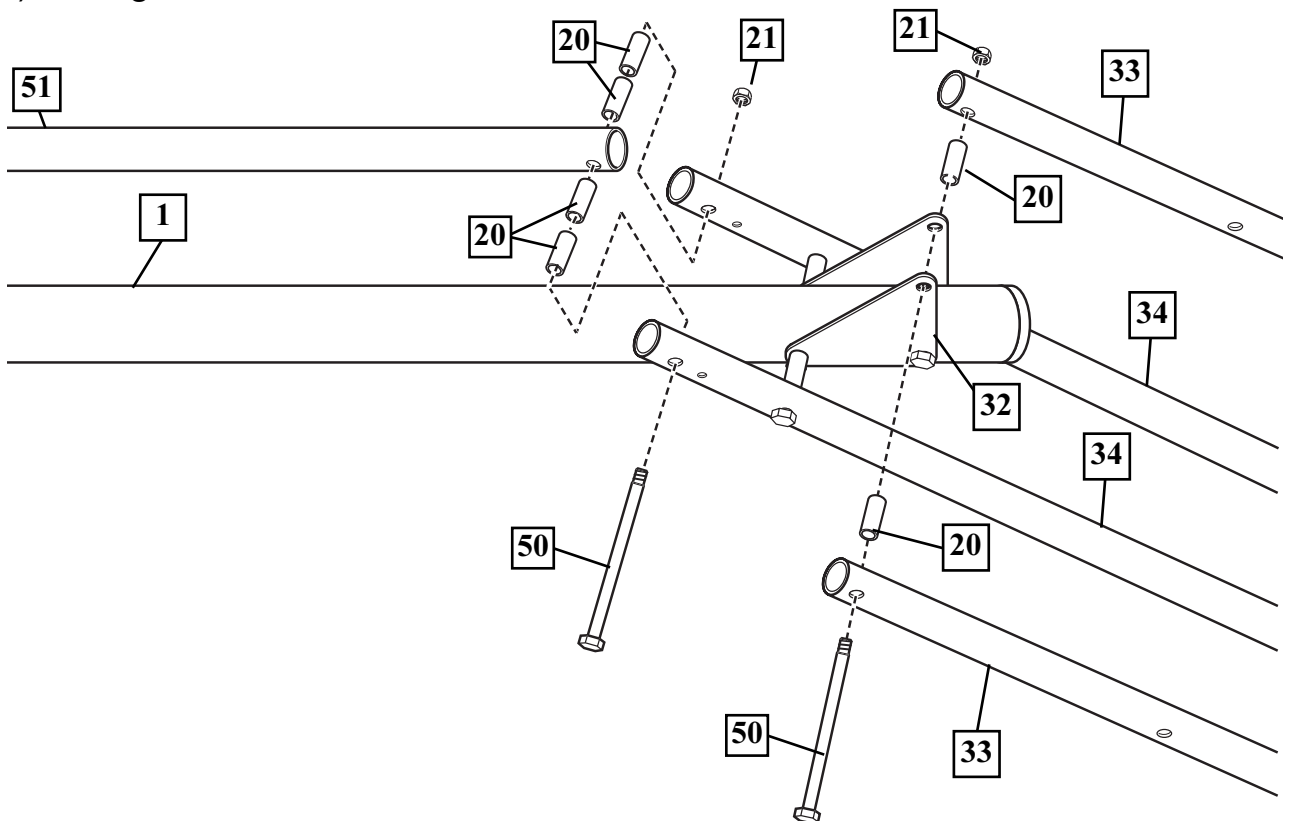
**TIGHTEN ALL HARDWARE
FROM STEP 6 - 8 AFTER
THIS ASSEMBLY IS
COMPLETED.**



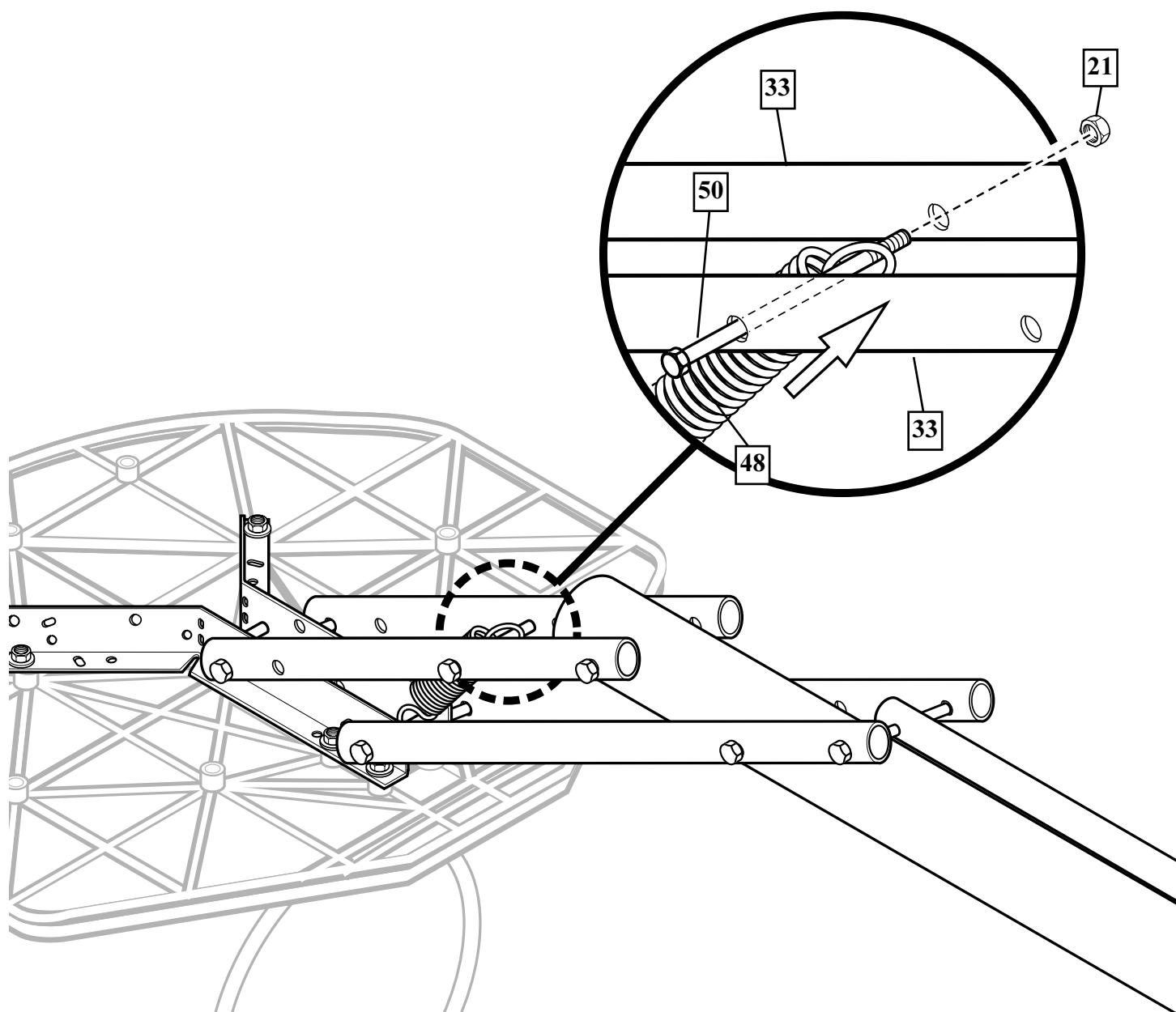
- 10.** Support pole on sawhorse. Attach backboard assembly to top pole section (1) as shown. Install pole cap (25). **NOTE:** Two people are recommended for this step. Use caution; elevator assembly is heavy.



- 11.** Install upper elevator tubes (33) to triangle plates (32) as shown. Install handle assembly to lower elevator tubes (34) using bolt (50), spacers (20), and nut (21) as shown. **NOTE:** Before going on to next step, set adjustable system assembly to the 10' (3.05 m) setting.




- 12.** Insert bolt (50) through left side upper elevator tube (33), then stretch spring (48) onto bolt (50). Insert bolt (50) through right side upper elevator tube (33) and secure with nut (21).



SECTION D: SECURING THE SYSTEM

1. Roll assembly to desired playing area. Secure assembly to ground using rope (56) and tie down stake (36). Fill base (8) with water (approx. 40 gallons) and snap fill caps (37) in place.



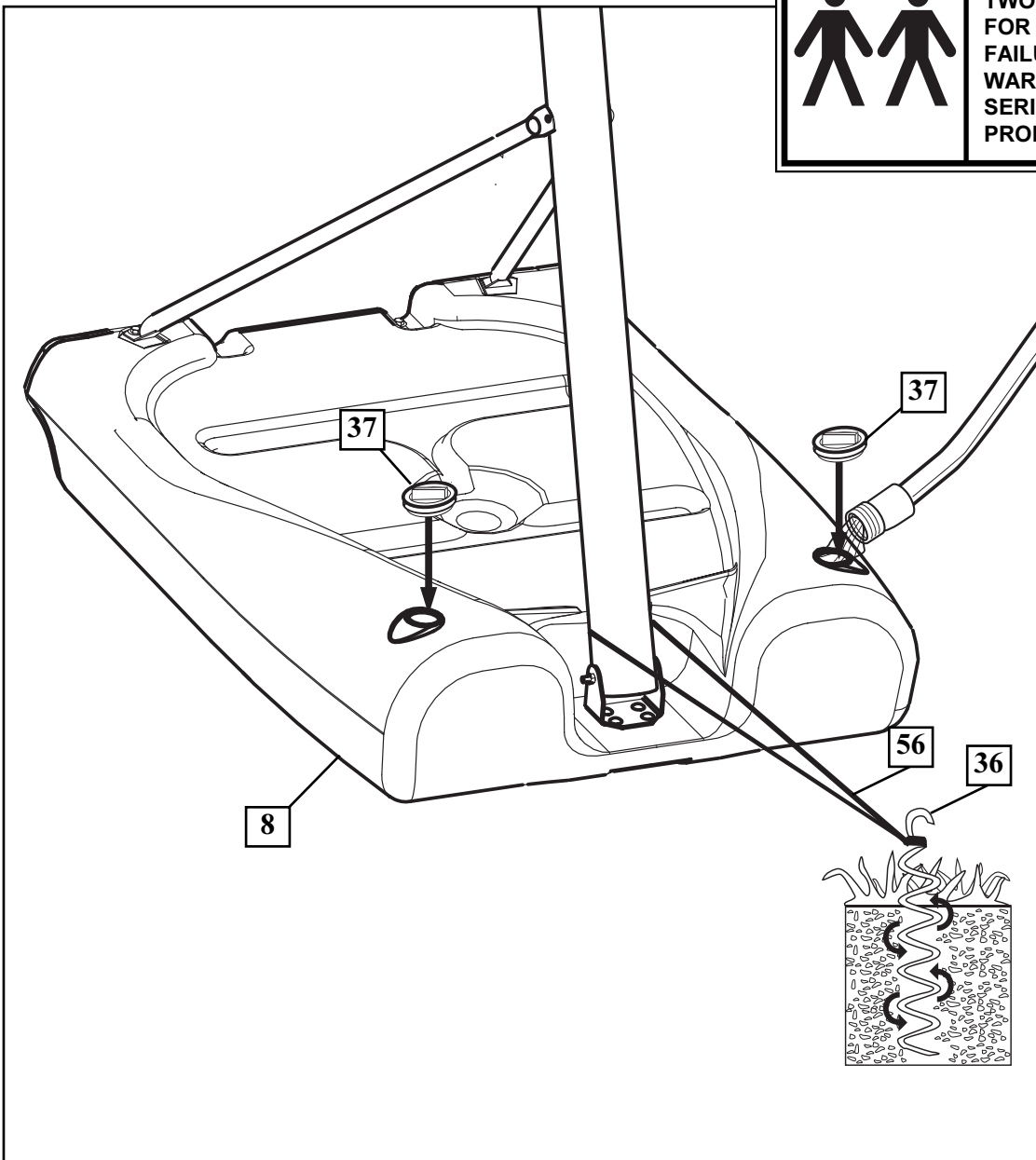
CAUTION!
ADD TWO GALLONS (7.6 LITERS) OF NON-TOXIC ANTIFREEZE IN SUB-FREEZING CLIMATES.



WARNING!
DO NOT LEAVE ASSEMBLY UNATTENDED WHEN EMPTY; IT MAY TIP OVER.

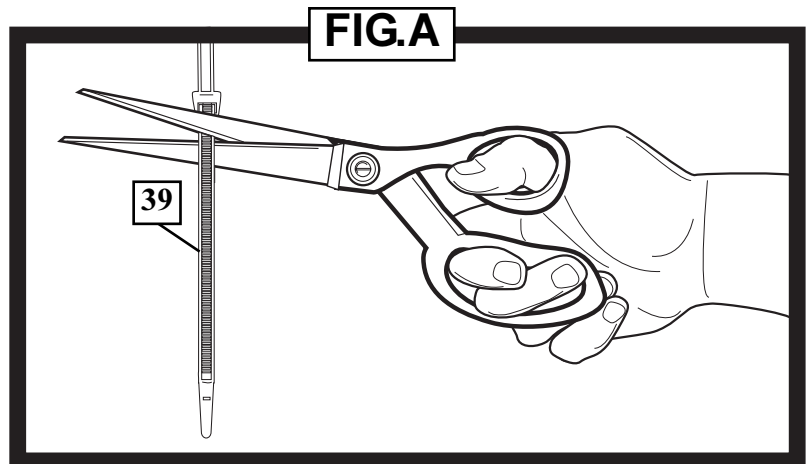
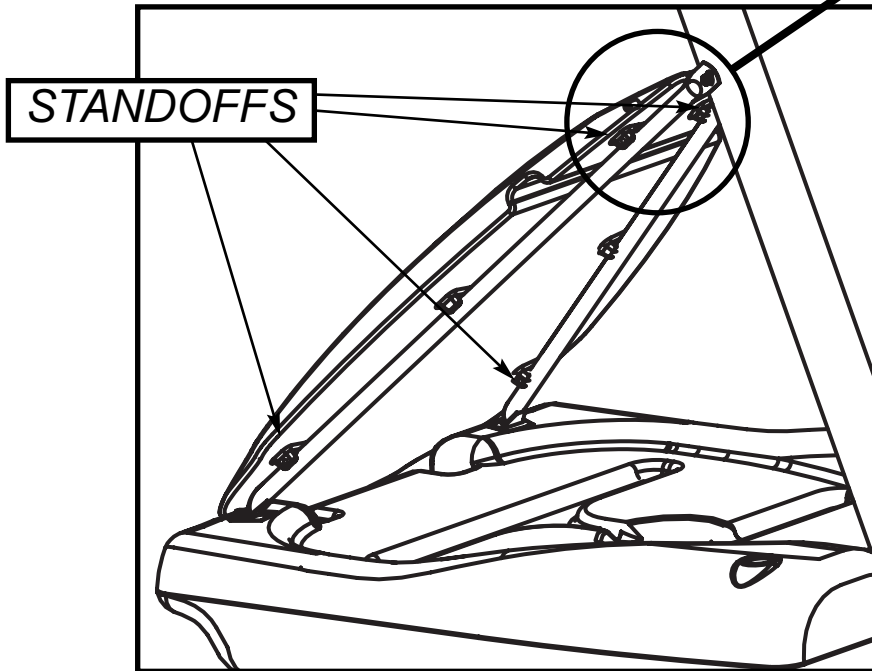
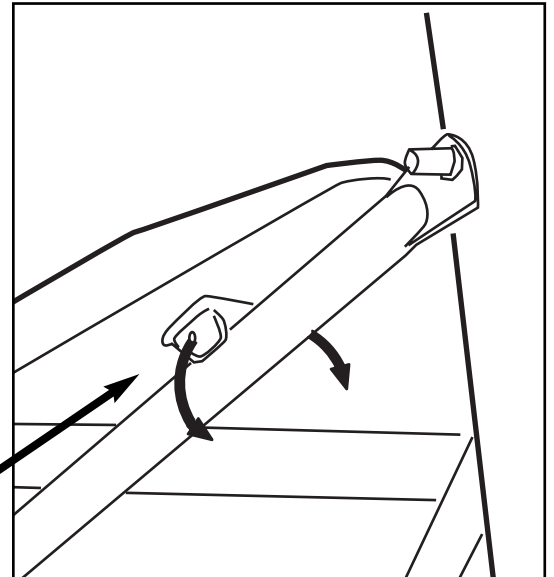
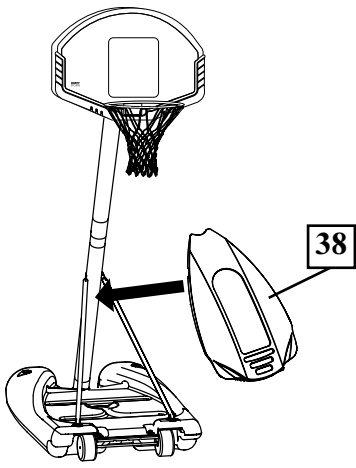


WARNING!
TWO PEOPLE REQUIRED FOR THIS PROCEDURE. FAILURE TO FOLLOW THIS WARNING COULD RESULT IN SERIOUS INJURY AND/OR PROPERTY DAMAGE.



SECTION E: *INSTALL FRONT COVER*

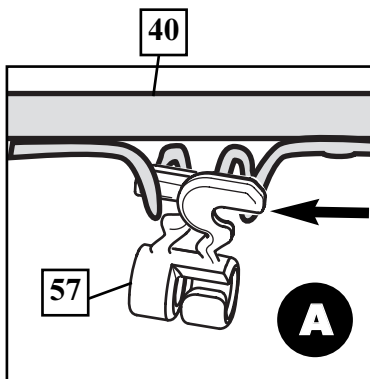
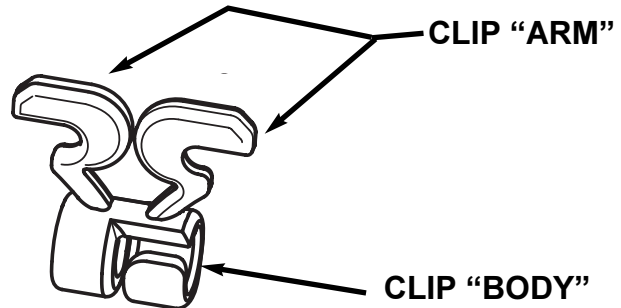
1. Install front cover (38) by lining up stand-offs along the tank struts. Insert a tie strap (39) through the top two and bottom two stand offs. Wrap tie straps around tank struts as shown and secure tightly. Trim excess of tie strap as shown in **FIG.A**.



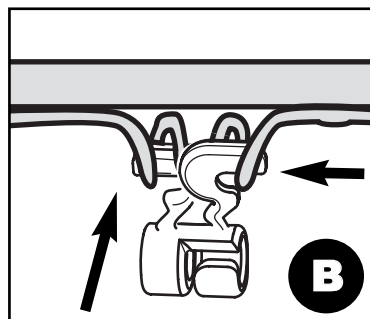
SECTION F: NET INSTALLATION

1. Install clips.

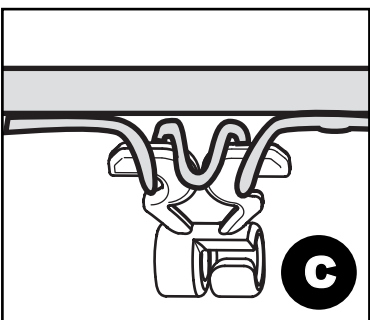
	! WARNING!
	USE OF THIS PRODUCT WITHOUT PROPER INSTALLATION OF SMART CLIPS®, OR WHEN ALL SMART CLIPS® ARE NOT PRESENT COULD RESULT IN BODILY HARM. BE SURE TO FOLLOW DIRECTIONS CAREFULLY.



Insert one "arm" of clip into ram as shown. Twist "body" of clip slightly so that second "arm" slides over the top of the first "arm" as shown. Push in direction indicated by arrows.

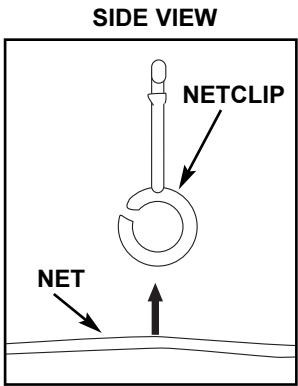
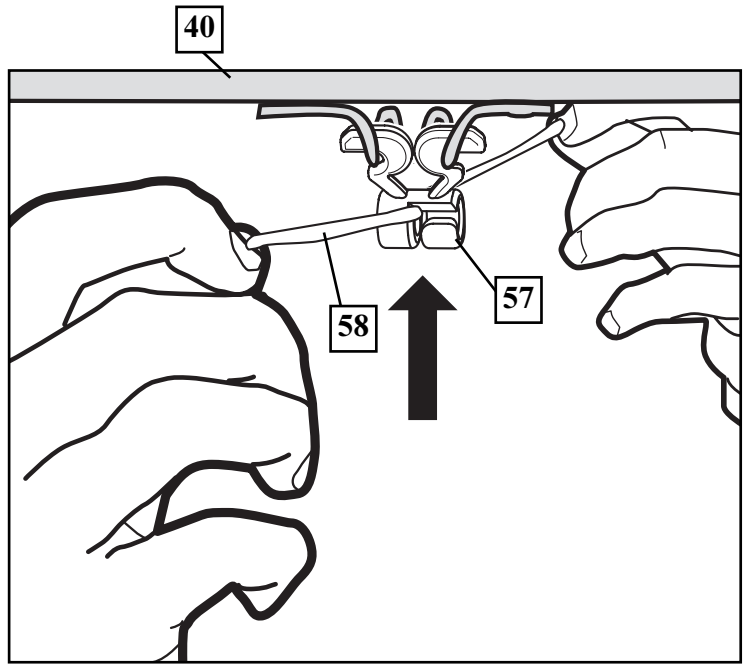


Push second "arm" back and into ram as shown.

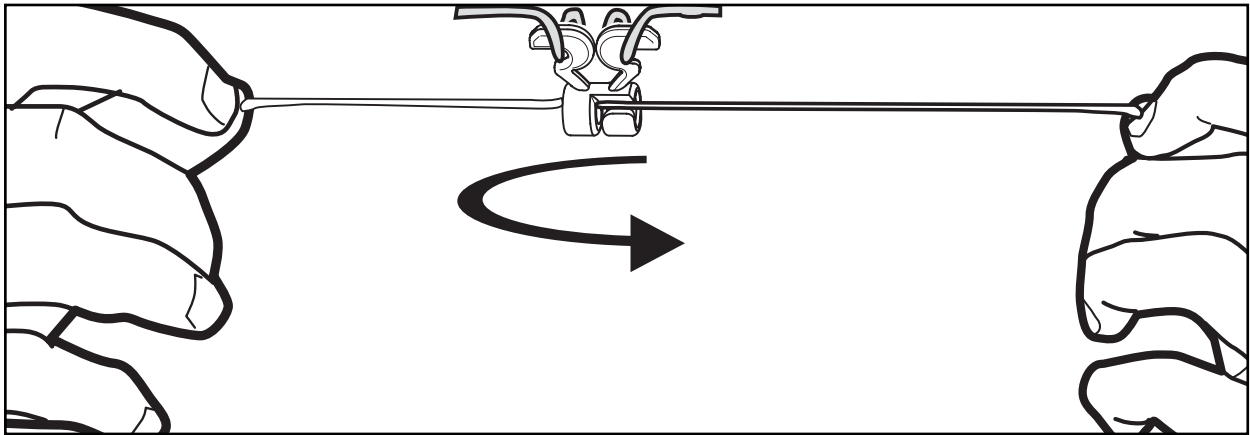


Twist "body" of clip slightly again to spread "arms" of clip. Clip "arms" must be flat and touching edge to edge as shown, not overlapping.

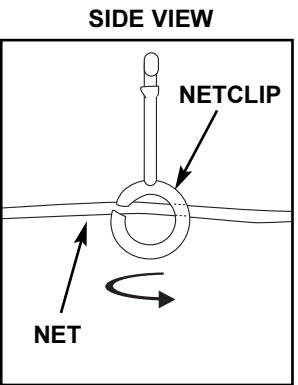
2.



Insert net into bottom of clip as shown.

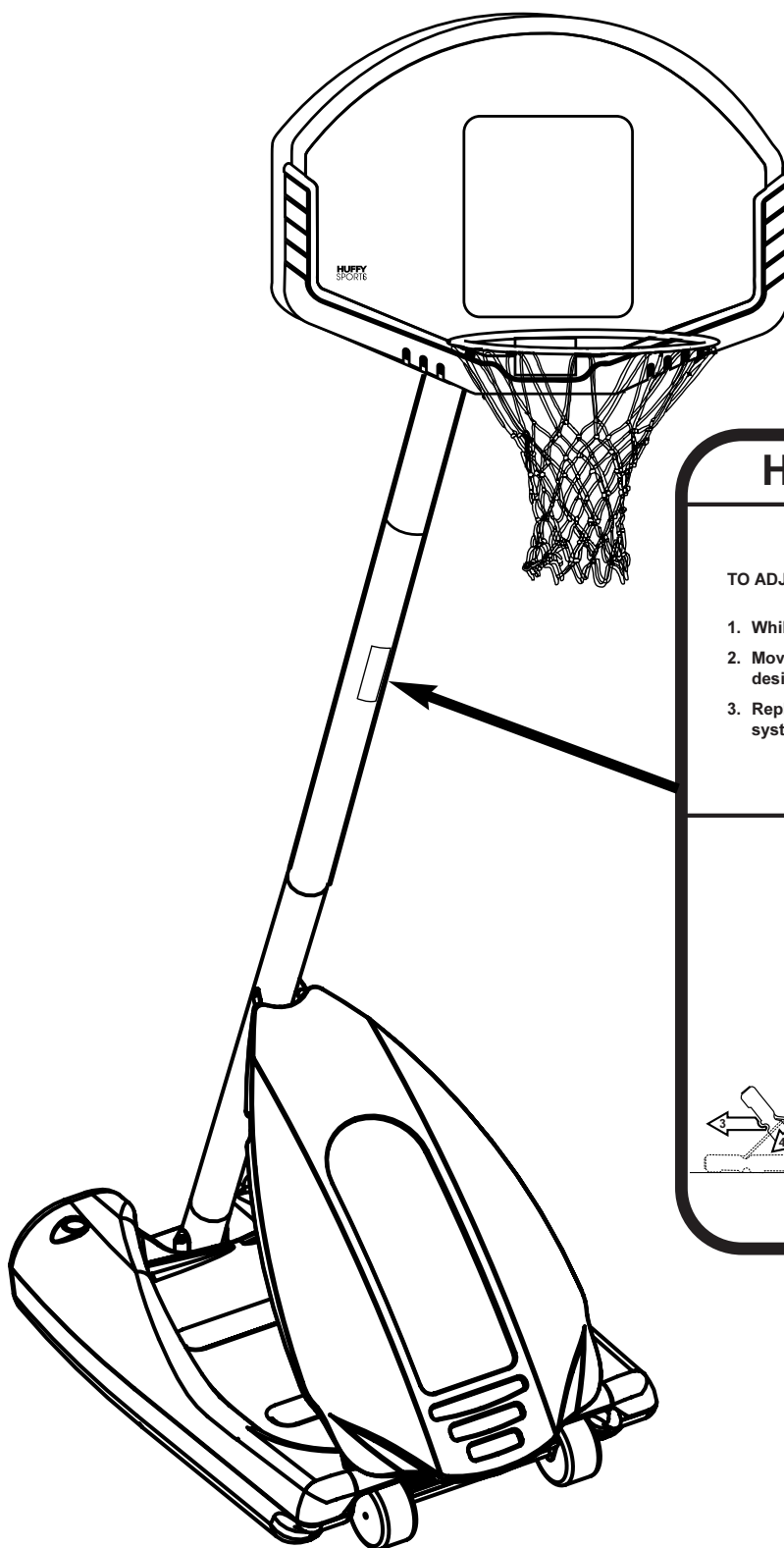


Twist net until it snaps into position.
Net must be centered through clip.



SECTION G: APPLY HEIGHT AND MOVING LABEL

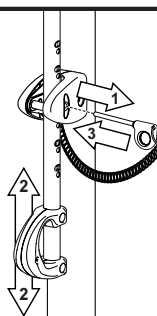
1. Apply Height Adjustment and Moving Label (42) to front of pole, where it is clearly visible.



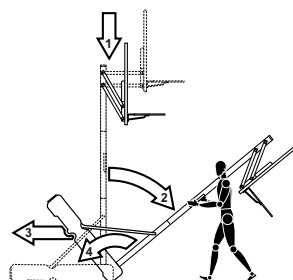
HEIGHT ADJUSTMENT

TO ADJUST BACKBOARD:

1. While holding handle, remove pin.
2. Move elevator up or down to desired height.
3. Replace pin full length to lock system at desired height.



MOVING SYSTEM



1. Adjust basketball backboard height to lowest position.
2. While holding pole, rotate basketball system forward until wheels engage with ground.
3. Move basketball system to desired location.
4. Carefully rotate basketball system upright.
5. Reattach ground restraint and check system for stability.

201252 2/99

SECTION H: HEIGHT ADJUSTMENT

1. A. While holding handle, remove pin (27).
B. Move elevator up or down to desired height.
C. Replace pin (27) full length to lock system at desired height.

