

IMPORTANT! In U.S. and Canada only: Have questions?...don't go back to the store!

We appreciate your purchasing one of our many fine products. We are sure that you will be very satisfied with your selection. Although great care and effort have been taken, occasionally problems may occur. To ensure prompt and correct handling of any problems, or to answer any questions, please contact our Toll-Free Customer Service Number listed below. Service will be quicker if you have your Model Number (found on carton) and assembly instructions ready when calling. PLEASE WRITE YOUR MODEL NUMBER IN THE SPACE PROVIDED ABOVE.

SAFETY INSTRUCTIONS

FAILURE TO FOLLOW THESE SAFETY INSTRUCTIONS MAY RESULT IN SERIOUS INJURY, PROPERTY DAMAGE AND WILL VOID WARRANTY.

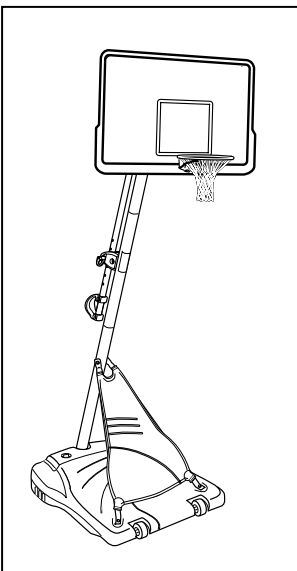
Owner must ensure that all players know and follow these rules for safe operation of the system.

To ensure safety, do not attempt to assemble this system without following the instructions carefully. Proper and complete assembly, use and supervision is essential for proper operation and to reduce the risk of accident or injury. A high probability of serious injury exists if this system is not installed, maintained, and operated properly. Check entire box and inside all packing material for parts and/or additional instructional material. Before beginning assembly, read the instructions and identify parts using the hardware identifier and parts list in this document.

- If using a ladder during assembly, use extreme caution.
- Two (2) people are recommended for this operation.
- Check base regularly for leakage. Slow leaks could cause system to tip over unexpectedly.
- Seat the pole sections properly (if applicable). Failure to do so could allow the pole sections to separate during play and/or transport of the system.
- Climate, corrosion or misuse could result in system failure.
- Minimum operational height is 6' 6" (1.98 m) to the bottom of backboard.
- This equipment is intended for home recreational use only and NOT excessive competitive play.
- Read and understand the warning label affixed to pole. Label is shown on page 1.
- The life of your basketball pole depends on many conditions. The climate, placement of the pole, the location of the pole, exposure to corrosives such as pesticides, herbicides or salts are all important.
- If technical assistance is required, contact Huffly Sports.
- Adult supervision is recommended when adjusting height.

Most injuries are caused by misuse and/or not following instructions. Use caution when using this system.

For more information on assembly, placement, proper use and maintenance, visit The American Basketball Council website at <http://www.smarthoops.com>.



- #### REQUIRED TOOLS AND MATERIALS:
- Two People
 - Tape Measure
 - Wood Board (Scrap)
 - Wrenches: (Two) 7/16", 1/2", 9/16", 3/4" or Large and Small Adjustable Wrenches
 - Safety Goggles
 - Sawhorse or Support Table
 - Step Ladder 8 ft. (2.4 m)
 - Garden Hose or Sand (225 lb.) (102 kg)
 - Hammer
 - Tape
 - Phillips Head Screw Driver
 - Scissors

NOTICE TO ASSEMBLERS

ALL Huffly Sports basketball Systems, including those used for **DISPLAYS**, **MUST** be assembled and ballasted with sand or water according to instructions. Failure to follow instructions could result in **SERIOUS INJURY**. It is **NOT** acceptable to devise a makeshift weight system.

54

HEIGHT ADJUSTMENT

TO ADJUST BACKBOARD:

1. While holding handle, remove pin.
2. Move elevator up or down to desired height.
3. Replace pin full length to lock system at desired height.

MOVING SYSTEM

1. Adjust basketball backboard height to lowest position.
2. While holding pole, rotate basketball system forward until wheels engage with ground.
3. Move basketball system to desired location.
4. Carefully rotate basketball system upright.
5. Reattach ground restraint and check system for stability.

201252 2/99

WARNING

FAILURE TO FOLLOW THESE WARNINGS MAY RESULT IN SERIOUS INJURY AND/OR PROPERTY DAMAGE.

Owner must ensure that all players know and follow these rules for safe operation of the system.

- DO NOT HANG on the rim or any part of the system including backboard, support braces or net.
- During play, especially when performing dunk type activities, keep player's face away from the backboard, rim and net. Serious injury could occur if teeth/face come in contact with backboard, rim or net.
- Do not slide, climb, shake or play on base and/or pole.
- After assembly is complete, fill system completely with water or sand and stake to the ground. Never leave system in an upright position without filling base with weight, as system may tip over causing injuries.
- When adjusting height or moving system, keep hands and fingers away from moving parts.
- Do not allow children to move or adjust system.
- During play, do not wear jewelry (rings, watches, necklaces, etc.). Objects may entangle in net.
- Surface beneath the base must be smooth and free of gravel or other sharp objects. Punctures cause leakage and could cause system to tip over.
- Keep organic material away from pole base. Grass, litter, etc. could cause corrosion and/or deterioration.
- Check pole system for signs of corrosion (rust, pitting, chipping) and repaint with exterior enamel paint. If rust has penetrated through the steel anywhere, replace pole immediately.
- Check system before each use for proper ballast, loose hardware, excessive wear and signs corrosion and repair before use.
- Check system before each use for instability.
- Do not use system during windy and/or severe weather conditions; system may tip over. Place system in the storage position and/or in an area protected from the wind and free from personal property and/or overhead wires.
- Never play on damaged equipment.
- See instruction manual for proper installation and maintenance.
- When moving system, use caution to keep mechanism from shifting.
- Keep pole top covered with cap at all times.
- Do not allow water in tank to freeze. During sub-freezing weather add non-toxic antifreeze, sand or empty tank completely and store. (Do not use salt.)
- Use extreme caution if placing system on sloped surface. System may tip over more easily.

HUFFY SPORTS
In the U.S.: 1-800-558-5234 and Canada: 1-800-284-8339

201241 2/99

TUFF STUFF® and associated trademarks are owned and used with permission of Mattel, Inc. Huffly products are not sponsored, endorsed or authorized in any way by Mattel, Inc. or any of its affiliated or subsidiary companies.

Toll-Free Customer Service Number for U.S: 1-800-558-5234, for Canada: 1-800-284-8339, for Europe: 00 800 555 85234 (Sweden: 009 555 85234), for Australia: 1-800-333 061 - Internet Address: <http://www.hufflysports.com>

PARTS LIST - See Hardware Identifier

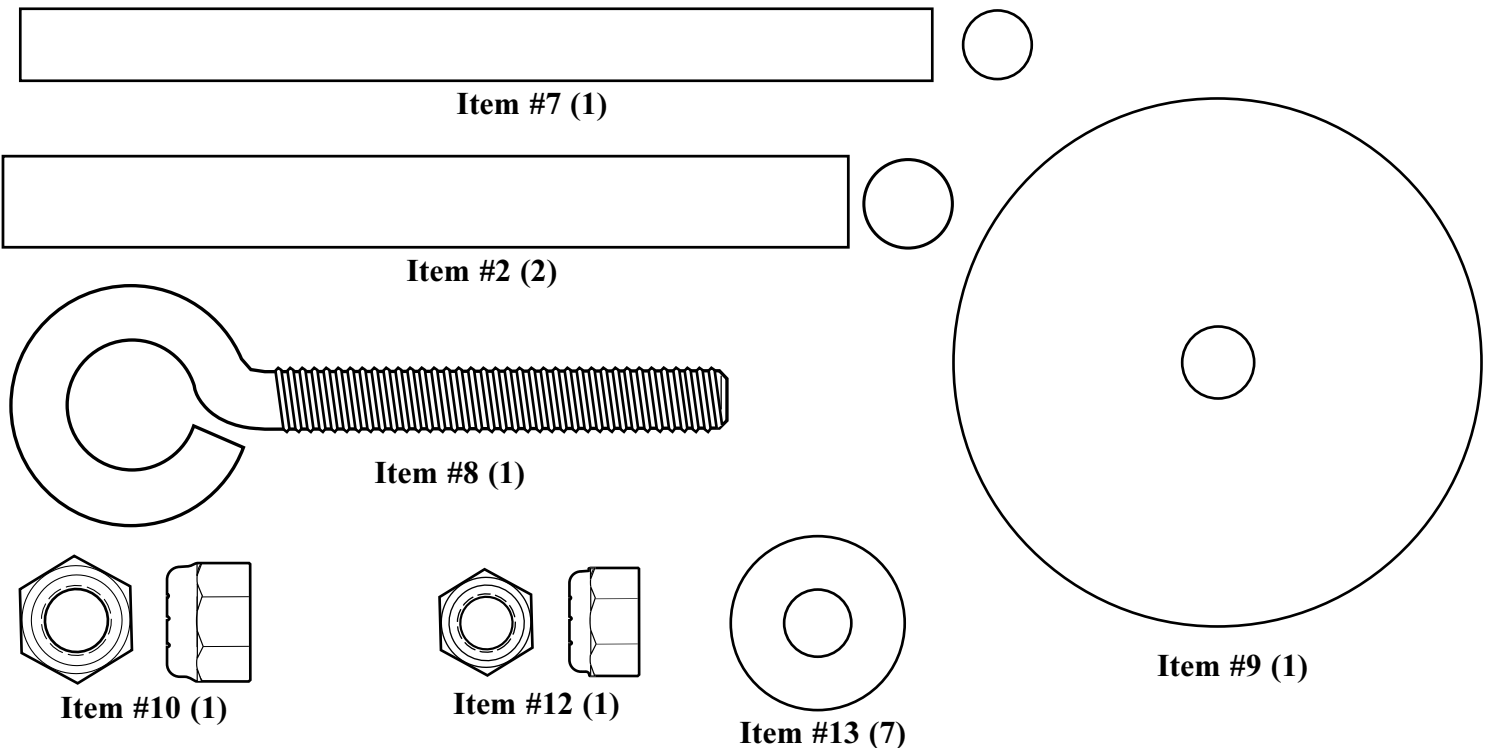
<u>Item</u>	<u>Qty.</u>	<u>Part No.</u>	<u>Description</u>	<u>Item</u>	<u>Qty.</u>	<u>Part No.</u>	<u>Description</u>
1	1	206336	Tank	31	1	204803	Screw, Phillips Head
2	2	206330	Wheel Axle, 4-1/4 Long	32	1	204855	Handle, Left
3	2	226401	Wheel, 4" (Black)	33	1	204856	Handle, Right
4	1	904847	Top Pole Section	34	2	900103	Board Bracket
5	1	908481	Middle Pole Section	35	1	203255	Front Cover
6	1	908487	Bottom Pole Section	36	2	200874	Spacer, Steel .402 I.D. x .50 O.D. x 1.5 Long
7	1	202820	Rod, 3/8 O.D. x 4-3/4 Long	37	1	206990	Reinforcement Bracket
8	1	202822	Eyebolt, 3/8-16 x 3-3/4 Long	38	4	201681	Spacer, Plastic, .530 I.D. x .875 Long
9	1	202821	Disk, 2-3/4 Diameter	39	7	206340	Lock Nut, Hex Head, 1/2-13
10	1	203063	Nylon Insert Lock Nut, 3/8-16	40	2	904820	Elevator Tube, Lower - Long
11	2	906410	Strut, 43" Long, With Flat Ends	41	1	204837	Spring
12	1	203220	Nut, Ny-lock, 5/16-18	42	1		Rim
13	7	203218	Washer, 5/16 Flat	43	2	904808	Elevator Tube, Upper - Short
14	1	201625	Bolt, Yellow Dichromate, 5/16-18 X 3.60 Long	44	2	201682	Spacer, .530 I.D. x 1.875 Long
15	2	203798	Bolt, Hex Flange, 5/16-18 x 1-1/2 Long	45	2	900867	Plate, Triangle, (Black)
16	9	203100	Hex Flange Nut 5/16-18	46	1	202814	Cap, Pole Top
17	1	204832	Bracket, Pole Mount	47	6	206244	Bolt, Hex, 1/2-13 x 8 Long
18	2	203231	Carriage Bolt, 5/16-18 x 3-1/2 Long	48	1	204870	Bolt, Hex, 1/2-13 x 3-1/2 Long
19	4	203232	Washer, Metal, 3/4" O.D.	49	2	203617	Plug Cap
20	4	201124	Lock Nut, Hex Head, 3/8-16	50	12	201219	Smart Clip, Net Holder
21	4	206360	Bolt, Hex Head, 3/8-16 x 2-5/8 Long	51	1		Net
22	2	204858	Spacer, Biscuit, Plastic	52	1	201568	Anchor, T-Strap
23	2	204857	Spacer, Metal 1/2" O.D. x 1.44 Long	53	1	203124	Stake, Tie Down
24	2	204859	Cover, Spring	54	1	201252	Label, Height Adjustment and Moving
25	1	203038	Carriage Bolt, 5/16-18 x 2-3/4 Long	55	4*	205528	Bolt, Hex Flange, 5/16-18 x 1 Long
26	1	204850	Pin, Locking	56	4*	203257	Zip Tie
27	1	204853	Lanyard, Black Coil	57	4	201683	Spacer, 530 I.D. x 1.5 Long
28	1	904833	Height Adjustment Rod				
29	1	204872	Label, Height Indicator				
30	2	203103	Carriage Bolt, 5/16-18 x 2 Long				

* YOU MAY HAVE EXTRA PARTS WITH THIS MODEL.

WARRANTY CARD:

Please remember to complete your product registration form either on-line at:
www.huffysports.com/warrantycard
 or mail-in the enclosed postcard.

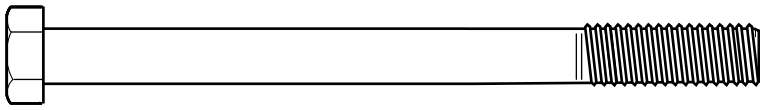
HARDWARE IDENTIFIER



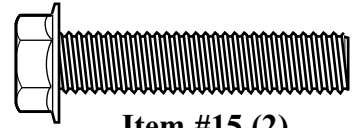
* You may have extra parts with this model.

HARDWARE IDENTIFIER (CONTINUED)

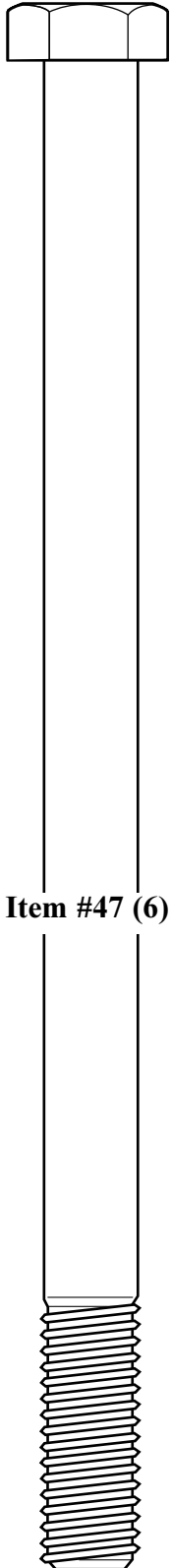
HARDWARE IDENTIFIER (CONTINUED)



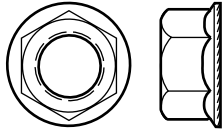
Item #14 (1)



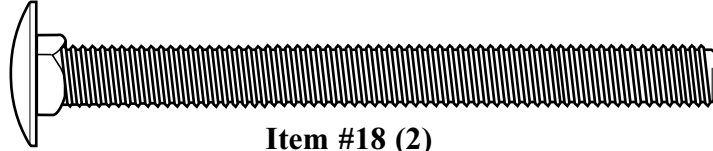
Item #15 (2)



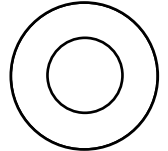
Item #47 (6)



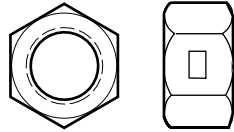
Item #16 (9)



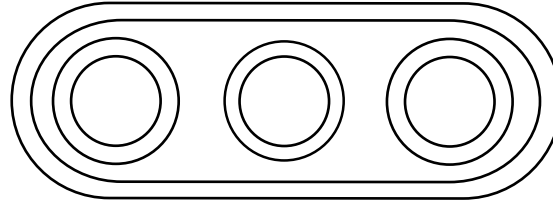
Item #18 (2)



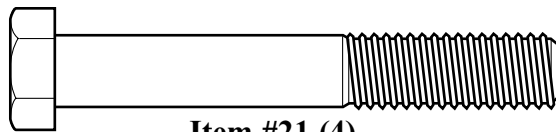
Item #19 (4)



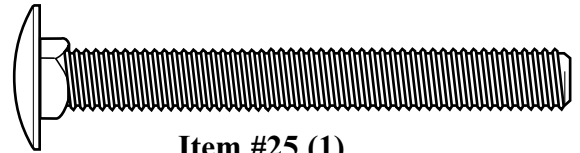
Item #20 (4)



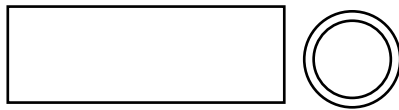
Item #22 (2)



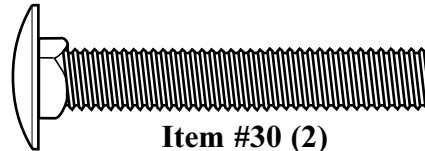
Item #21 (4)



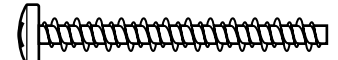
Item #25 (1)



Item #23 (2)



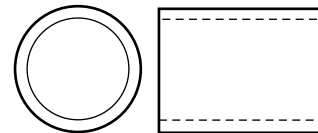
Item #30 (2)



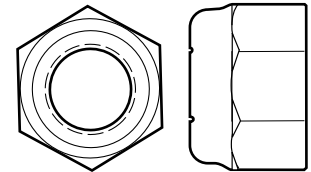
Item #31 (1)



Item #36 (2)



Item #38 (4)



Item #39 (7)



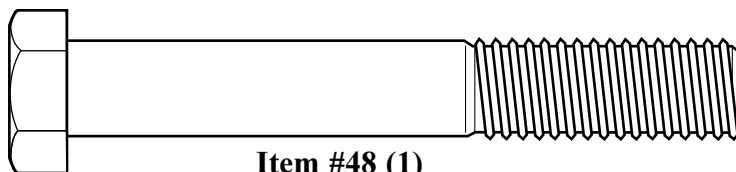
Item #44 (2)



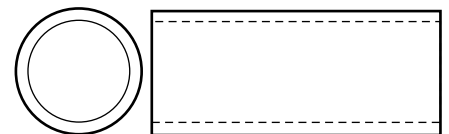
Item #50 (12)



Item #55 (4)*



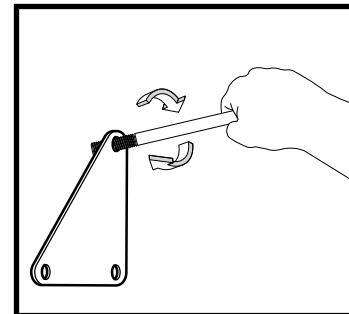
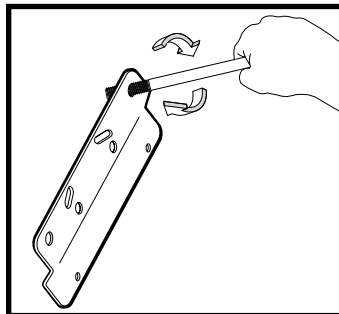
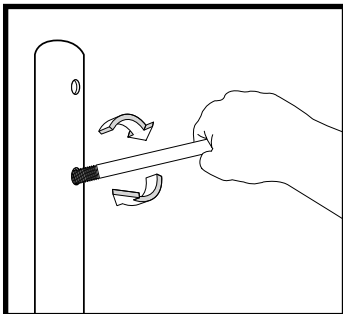
Item #48 (1)



Item #57 (4)

* You may have extra parts with this model.

BEFORE YOU START!



To ensure optimal playability of backboard system, a close tolerance fit between the elevator components and hardware is required. Test fit large bolts into large holes of elevator tubes, backboard brackets and triangle plates. Carefully rock them in a circular motion to ream out any excess paint from holes if necessary.

INSTRUCTIONS

IMPORTANT! WRITE MODEL NUMBER FROM BOX ONTO PAGE 1 OF THIS OWNERS MANUAL

1. Remove all contents from underside of tank. Keep tank (1) bottom side up.
2. Insert axle rod (2) through wheel (3), as shown. Secure wheel assembly to tank (1) by tapping wheel downward with hammer, snapping it into position. Repeat for opposite side, then carefully, turn tank (1) over.
3. Mark pole sections with tape as shown.
4. **IMPORTANT! Center alignment slot of middle pole section (5) in a lower hole of top pole section (4) as shown.** While maintaining alignment, bounce pole top (4) and middle section (5) together as shown until they no longer move toward taped reference mark. Upright assembly. **NOTE:** Pole sections should have a 3-1/2" (9 cm) overlap minimum.
5. **IMPORTANT! Center alignment slot of lower pole section (6) in a lower hole of middle pole section (5) as in step 4.** While maintaining alignment, bounce assembly and lower section (6) together as shown until they no longer move toward taped reference mark. **NOTE:** Pole sections should have a 3-1/2" (9 cm) overlap minimum.
6. Install rod (7) through holes in bottom pole section (6) and eyebolt (8).
7. Insert pole assembly into tank assembly as shown.
8. Carefully place unit on its side. Secure pole bottom (6) to tank with anchor strap (52), washers (9 & 13) and nut (10) as shown. Upright unit. **NOTE:** Keep unnecessary pressure off of the pole assembly when in this position. Two people recommended for this procedure. **IMPORTANT! DO NOT over tighten.**
9. Secure strut tubes (11) to bottom pole section (6) as shown.
▲ WARNING: TIGHTEN BOLT (14) IN LOCK NUT (12) UNTIL FLUSH (EVEN) WITH LOCK NUT'S OUTER EDGE.
10. Carefully place unit in the side position and secure strut (11) to tank (1) as shown. Completely tighten. Repeat for opposite side. **NOTE:** Keep unnecessary pressure off of the pole assembly when in this position. Two people recommended for this procedure.
11. Install pole mount bracket (17) and reinforcement bracket (37) with carriage bolts (18) as shown. Tighten flange nuts (16) completely.
12. Attach spacers (22, 23) to pole mount bracket (17) with bolts (21), washers (19), and nuts (20) as shown. **IMPORTANT! Tighten just until washers (19) stop moving.**
13. Attach covers (24) onto pole mount bracket (17) with carriage bolt (25) and nut (16) as shown. **IMPORTANT: Loop end of pin lanyard (27) over carriage bolt (25) during this assembly.** **NOTE:** Assemble lanyard (27) to locking pin (26) as shown.
14. Apply logo and height indicator labels (29) to adjustment rod (28) as shown. Attach handle parts (32, 33) to adjustment rod with screw (31), carriage bolt (30), and flange nut (16) as shown. **IMPORTANT! Indicator labels should be applied as close to holes as possible to prevent labels from being damaged during height adjustment.**
15. Insert handle assembly through pole mount assembly as shown. Lock pole assembly in place at the 10' (3.05 m) mark with pin (26).
16. Attach backboard support brackets (34) to the backboard frame using bolts (21), spacers (36), and nuts (20) as shown.
17. Assemble lower elevator tubes (40) as shown. **NOTE:** Test fit bolts into holes of brackets (34) and carefully rock them in a circular motion to

ream out paint from holes if necessary. **IMPORTANT! It is necessary for all parts to be installed for this mechanism to work safely and properly.**

18. Assemble upper elevator tubes (43) to backboard brackets (34).
19. Support pole on sawhorse. Attach backboard assembly to top pole section (4) as shown. Install pole cap (46). **NOTE:** Two people are recommended for this step. Use caution; elevator assembly is heavy.
20. Install upper elevator tubes (43) to triangle plates (45) as shown. Install handle assembly to lower elevator tubes (40) using bolt (47), spacers (44), and nut (39) as shown. **NOTE:** Before going on to next step, set adjustable system assembly to the 10' (3.05 m) setting.
21. Insert bolt (47) through left side upper elevator tube (43), then stretch spring (41) onto bolt (47). Insert bolt (47) through right side upper elevator tube (43) and secure with nut (39).
▲ WARNING: USE EYE PROTECTION WHEN INSTALLING SPRINGS.
22. Roll completed assembly to desired position. Secure assembly to ground using anchor strap (52) and tie down stake (53). Fill tank with water (approx. 30 gallons (115 Liters)) or sand (approx. 255 lbs. (113 kg)) and snap cap (49) in place. **IMPORTANT! Add two gallons (7.6 Liters) of non-toxic antifreeze in sub-freezing climates.**
▲ WARNING: DO NOT LEAVE ASSEMBLY UNATTENDED WHEN EMPTY, MAY TIP OVER.
23. While holding handle, remove pin (26).
▲ WARNING: DO NOT ALLOW CHILDREN TO ADJUST HEIGHT.
24. Move elevator up or down to desired height.
25. Replace pin (26) full length to lock system at desired height.
26. Apply height and transport label (54) to front of pole as shown.
27. Install front cover (35) onto struts (11) as shown.
28. Loop zip tie (56) around strut (11) and cover (35). Pull flat end of zip tie (56) through square end of zip tie until completely tightened. **NOTE:** Ridges on zip tie (56) should be on inside of loop when pulling flat end of tie through square end.
29. Once fully secured in the four areas shown, trim excess of zip tie (56) with scissors.
▲ WARNING: USE OF THIS PRODUCT WITHOUT PROPER INSTALLATION OF SMART CLIPS, OR WHEN ALL SMART CLIPS ARE NOT PRESENT COULD RESULT IN BODILY HARM. BE SURE TO FOLLOW DIRECTIONS CAREFULLY.
30. Install net clips as shown. (See illustration)
31. Install net as shown. (See illustration)

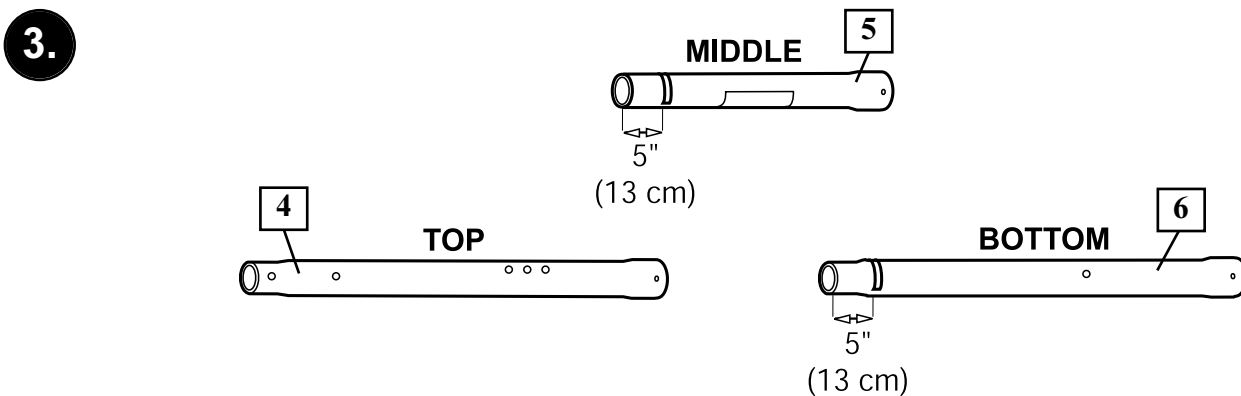
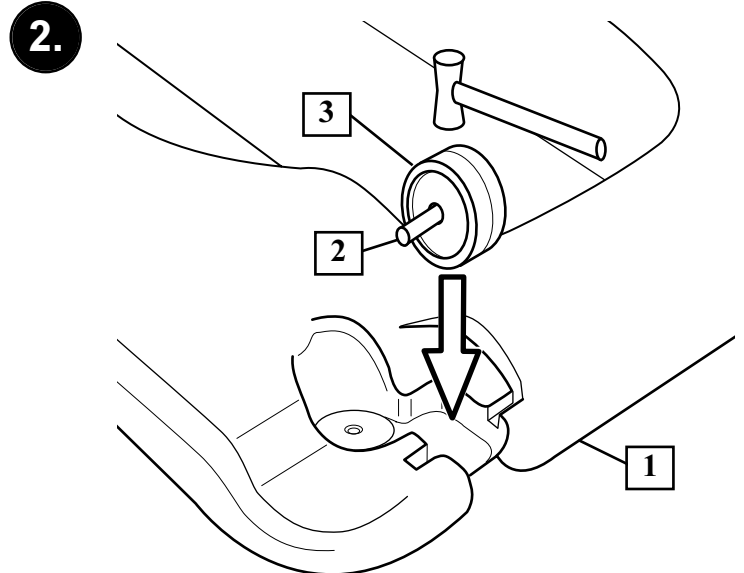
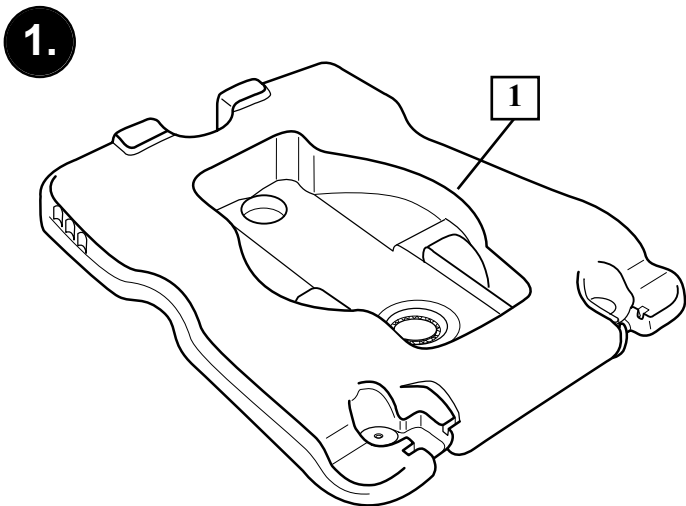
WARNING: IF YOUR SYSTEM IS EQUIPPED WITH AN ACRYLIC BACKBOARD, EXAMINE BACKBOARD FOR ANY DAMAGE THAT MAY HAVE OCCURRED DURING SHIPMENT. CRACKS IN THE BACKBOARD COULD RESULT IN SUDDEN BREAKAGE. IF BACKBOARD IS DAMAGED IN ANY WAY PRIOR TO OR AFTER ASSEMBLY, CALL TOLL-FREE NUMBER FOR FREE REPLACEMENT: U.S. 1-800-558-5234; CANADA: 1-800-284-8339; <http://www.huffysports.com>



Questions or Missing Parts?

DON'T go back to store!

Call TOLL-FREE Customer Service
Number listed on the front page!

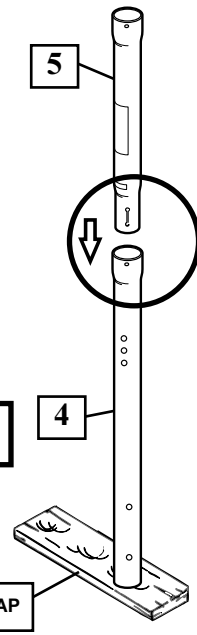


4.

Note
(See Text Page)

IMPORTANT!
(See Text Page)

WOOD SCRAP

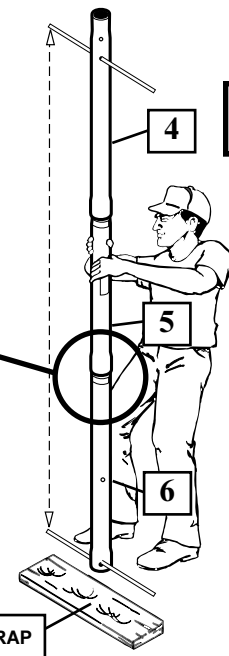
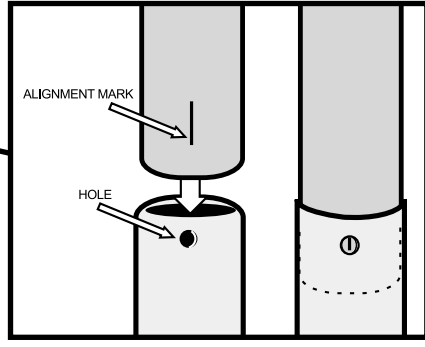


5.

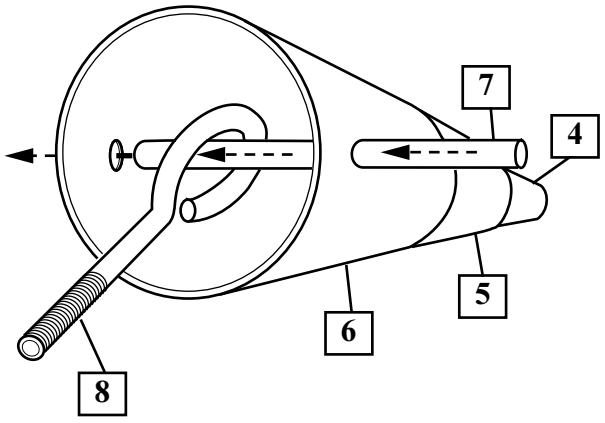
Note
(See Text Page)

IMPORTANT!
(See Text Page)

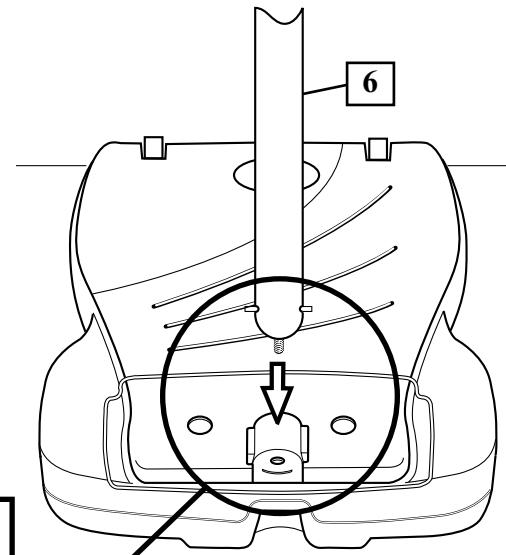
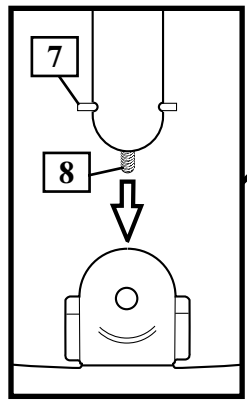
WOOD SCRAP



6.



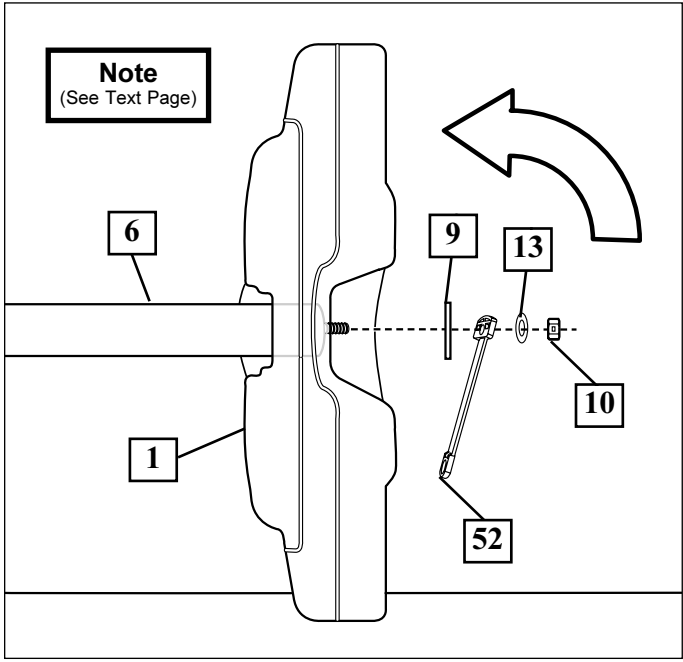
7.



8.

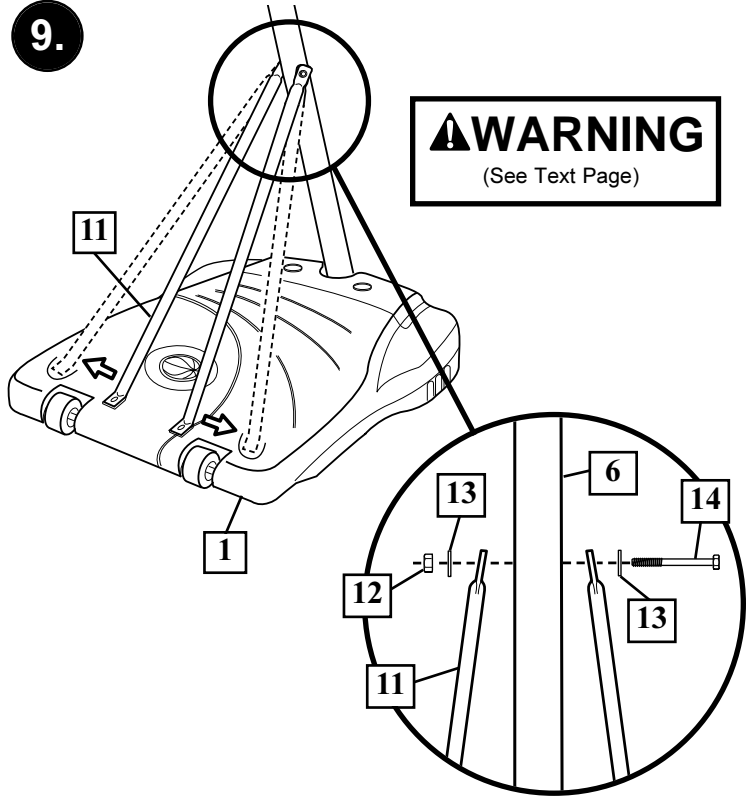
IMPORTANT!
(See Text Page)

Note
(See Text Page)



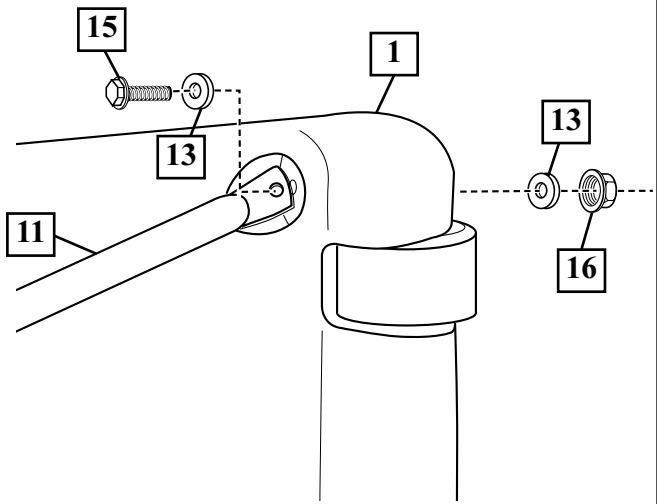
9.

WARNING
(See Text Page)

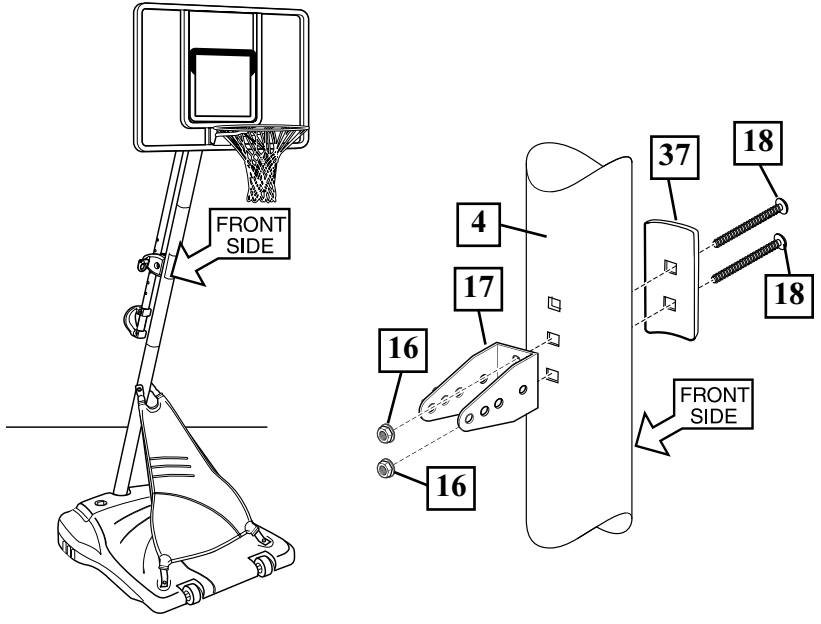


10.

Note
(See Text Page)

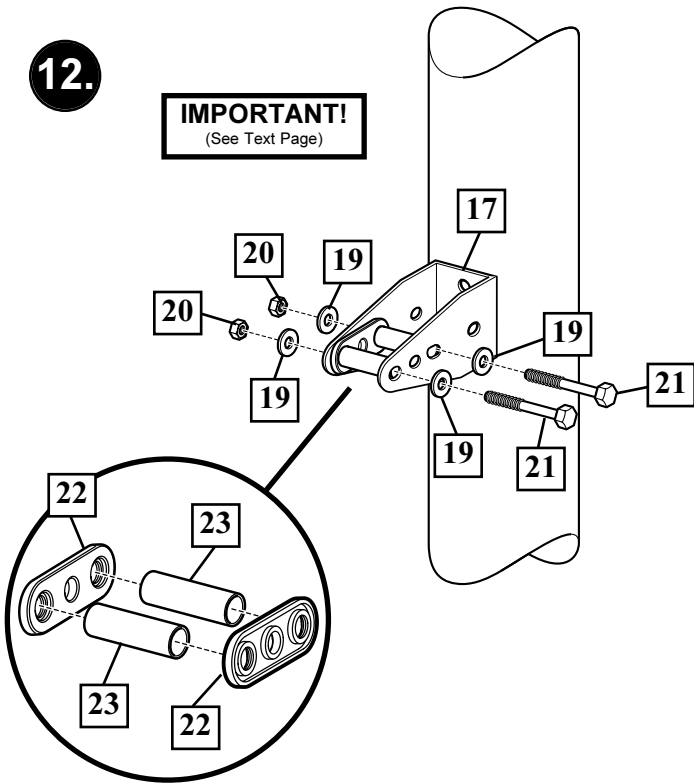


11.



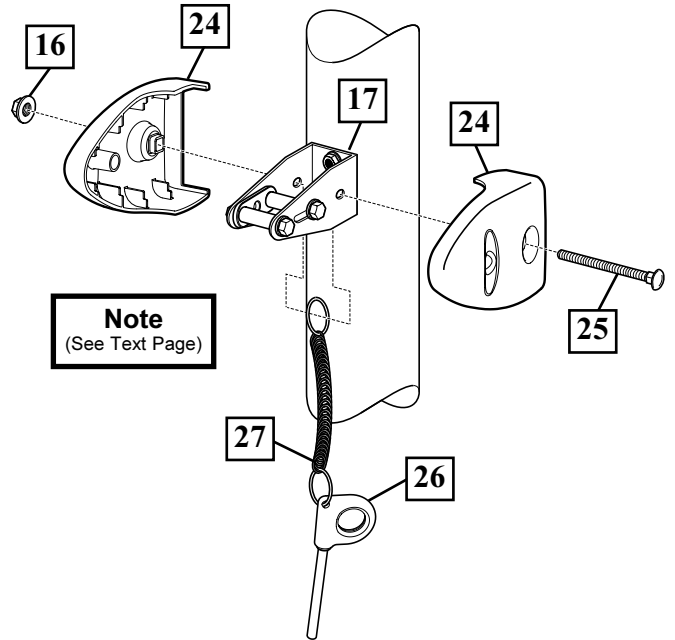
12.

IMPORTANT!
(See Text Page)



13.

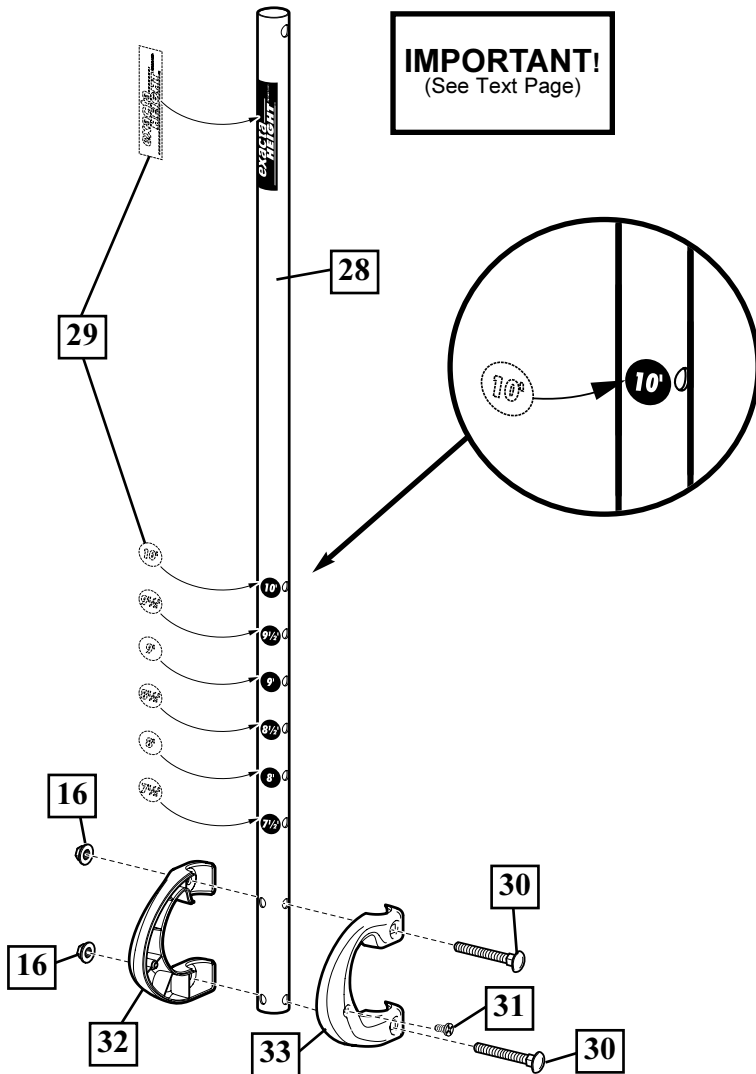
IMPORTANT!
(See Text Page)



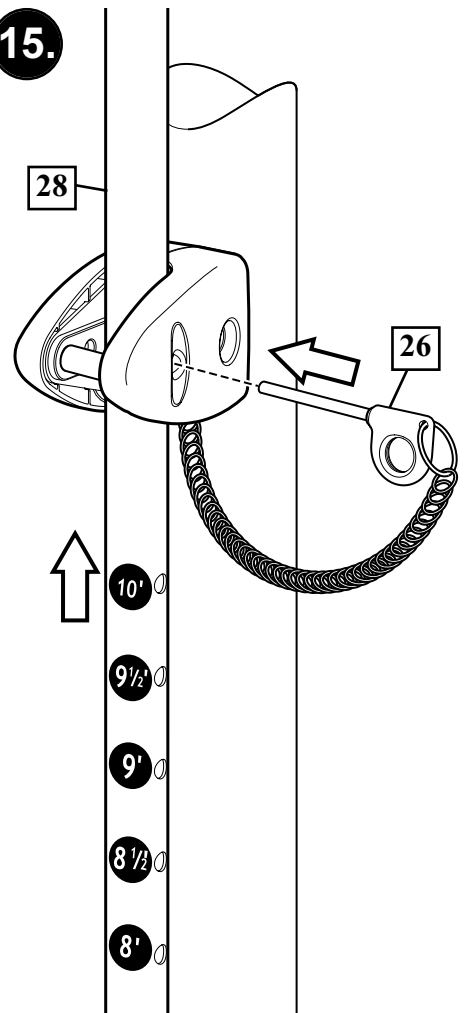
Note
(See Text Page)

14.

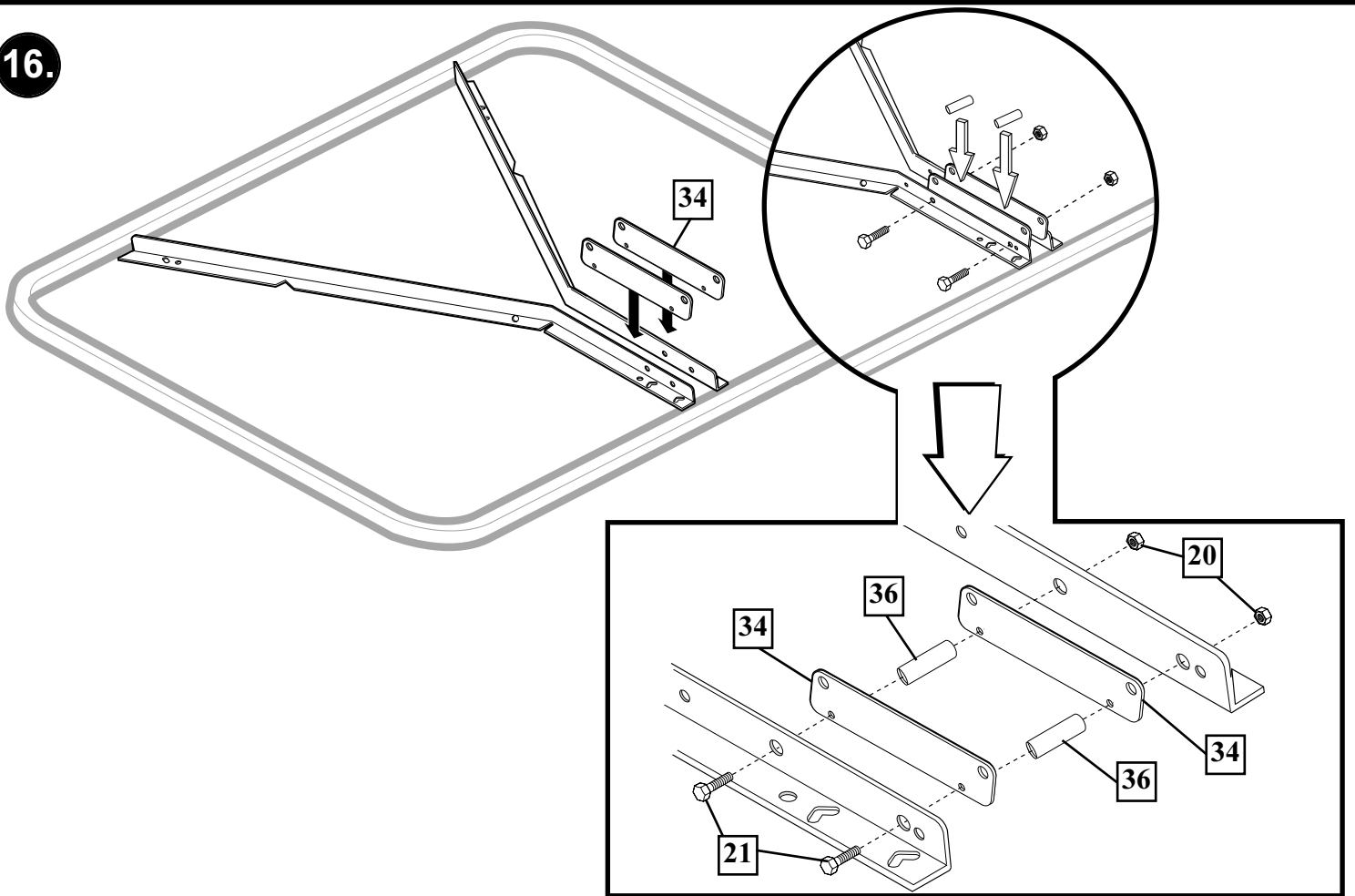
IMPORTANT!
(See Text Page)



15.

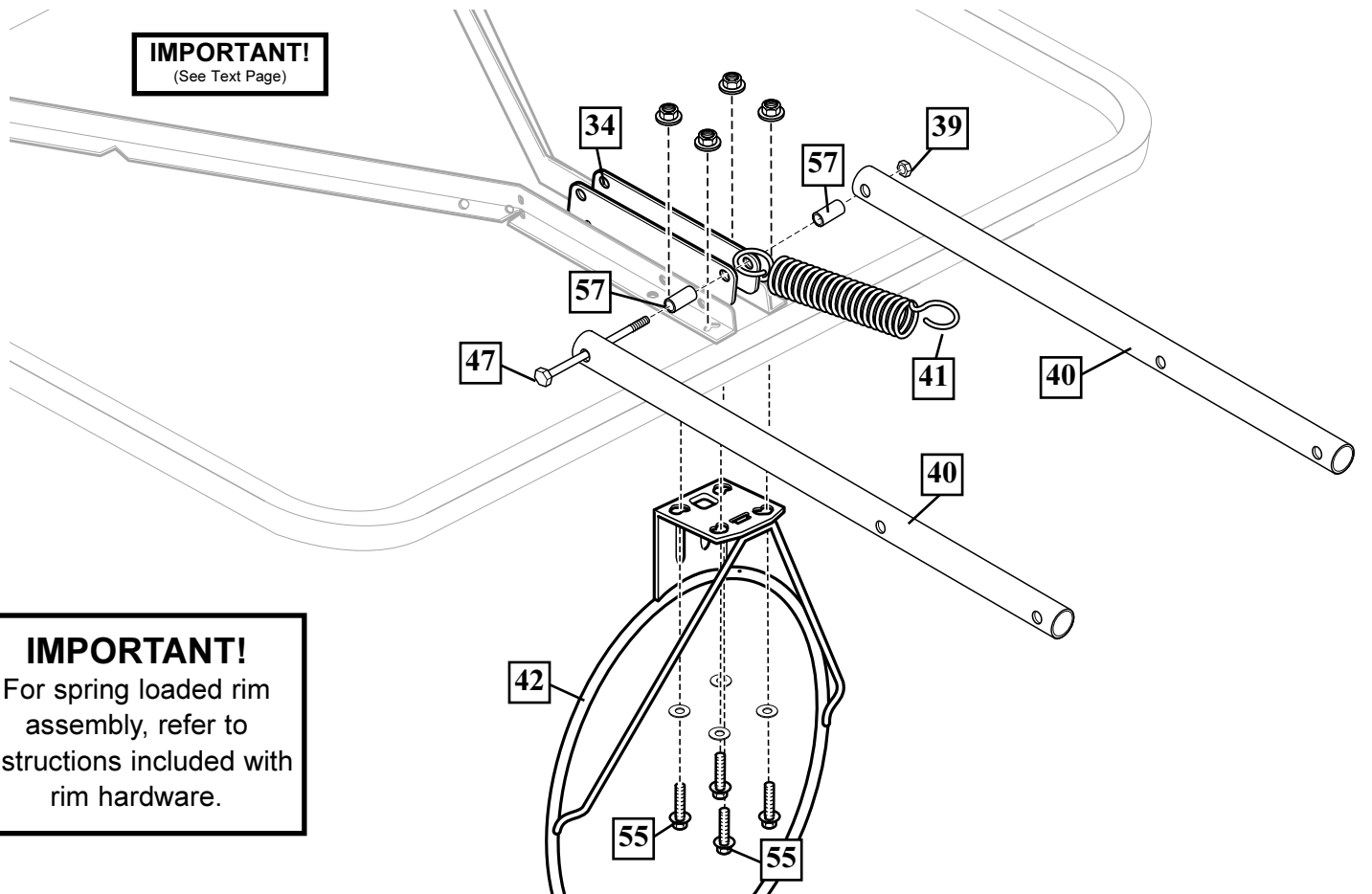


16.



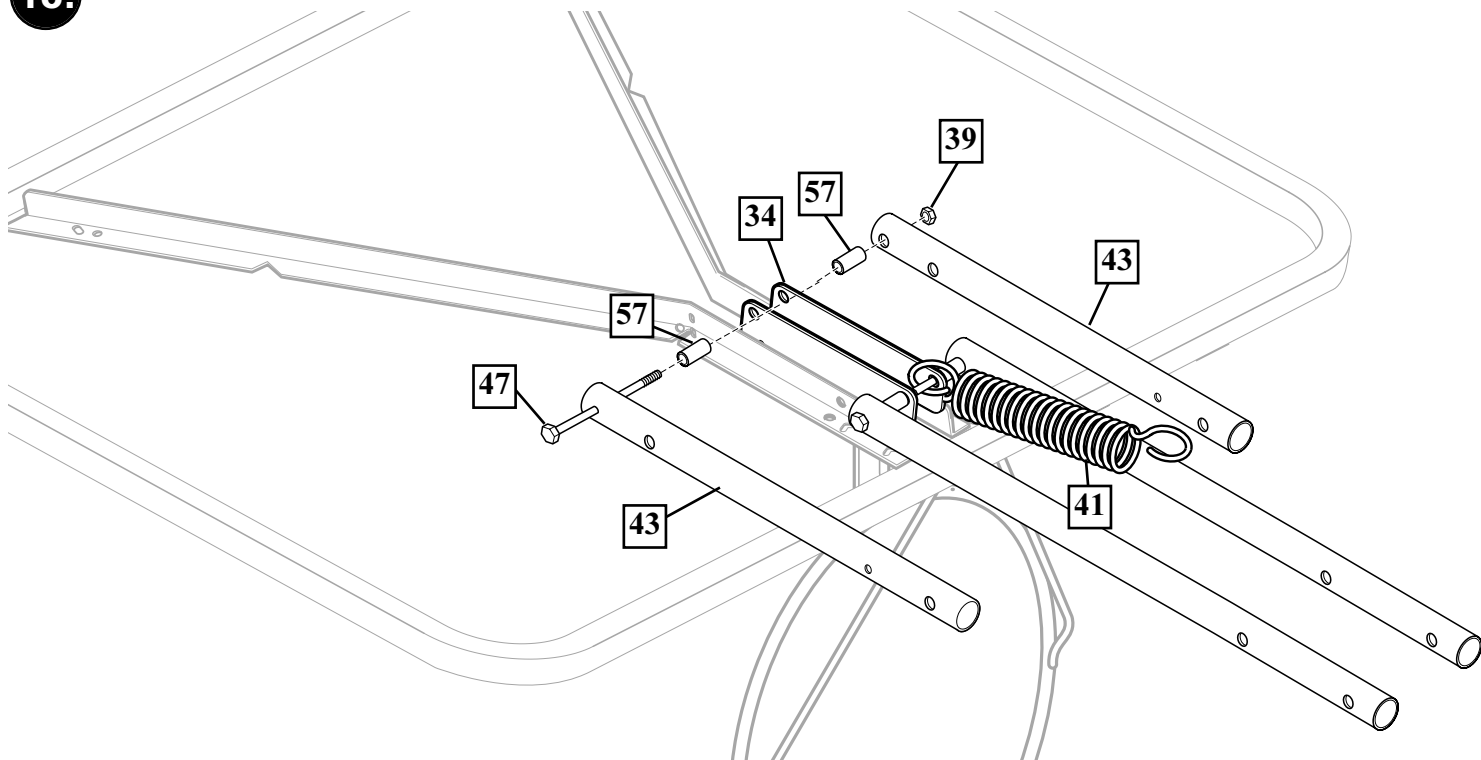
17.

IMPORTANT!
(See Text Page)

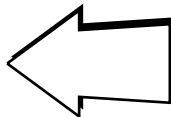
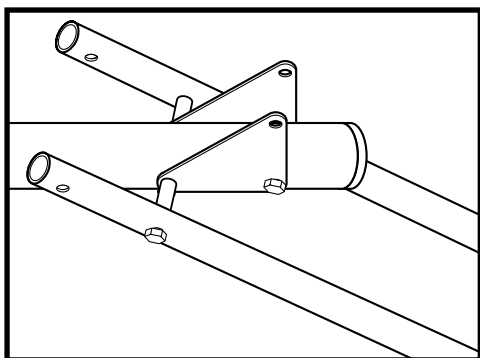


IMPORTANT!
For spring loaded rim assembly, refer to instructions included with rim hardware.

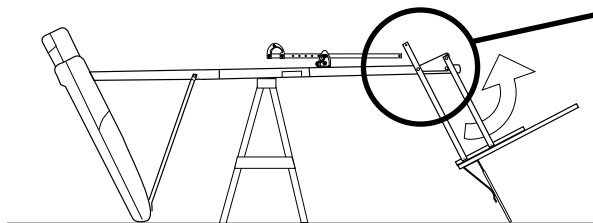
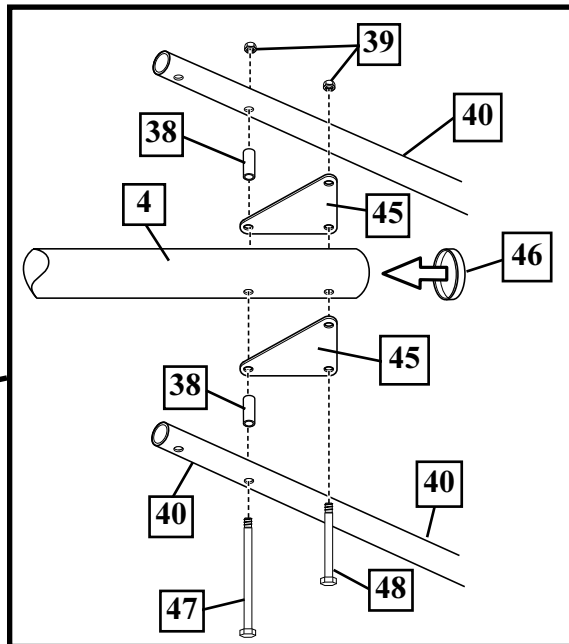
18.



19.



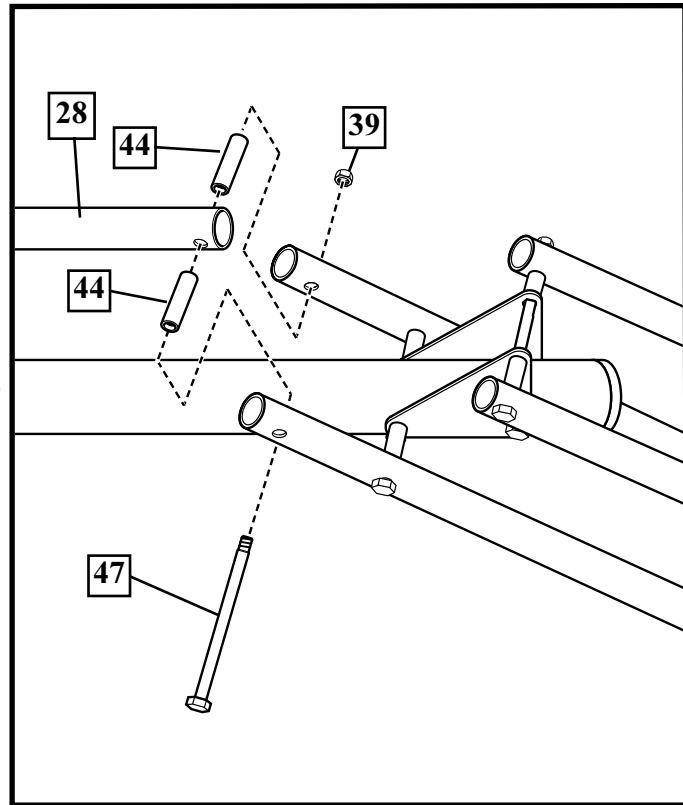
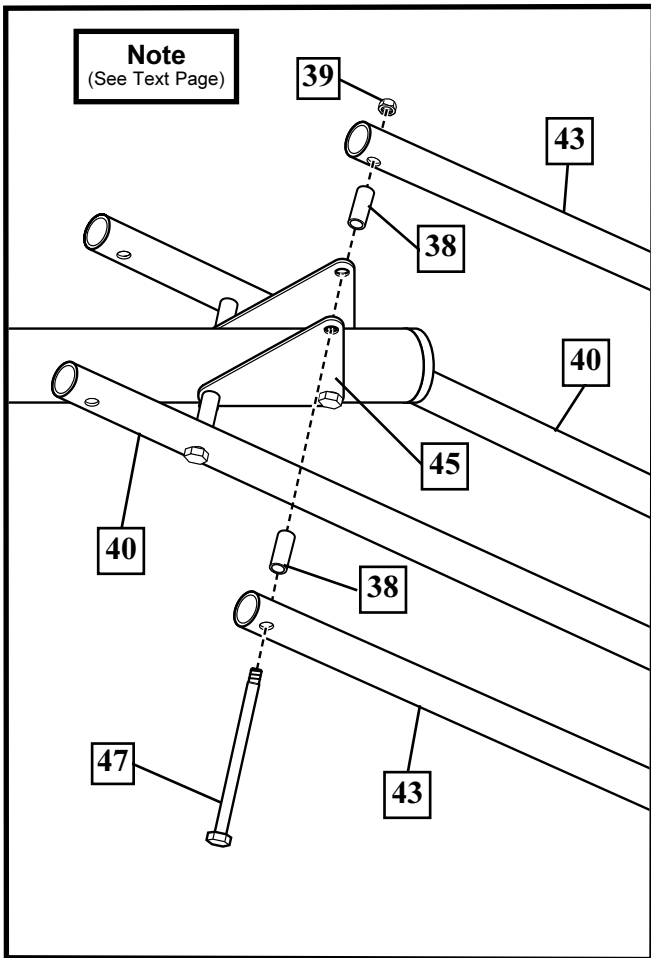
Note
(See Text Page)



SAWHORSE OR SUPPORT TABLE

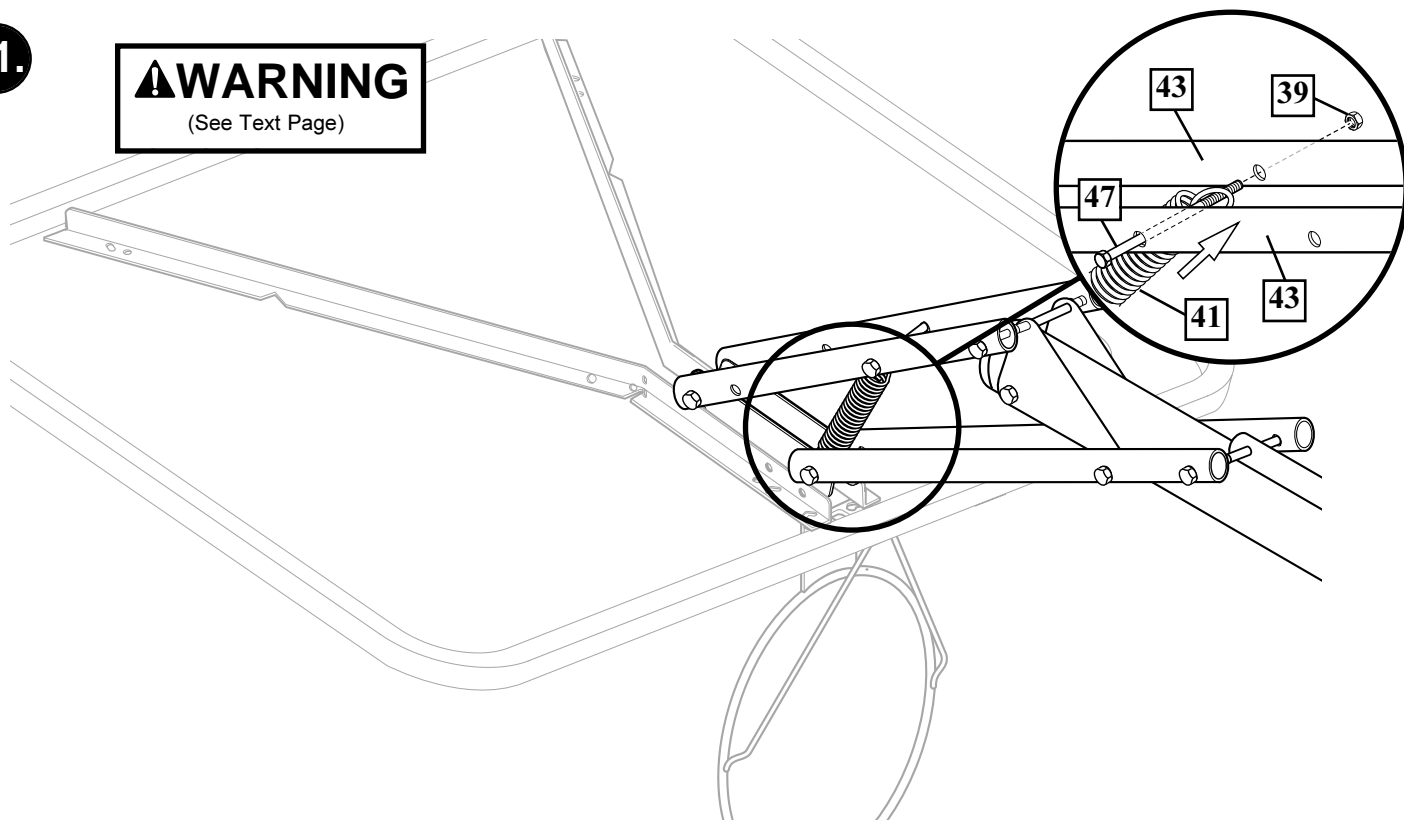
20.

Note
(See Text Page)



21.

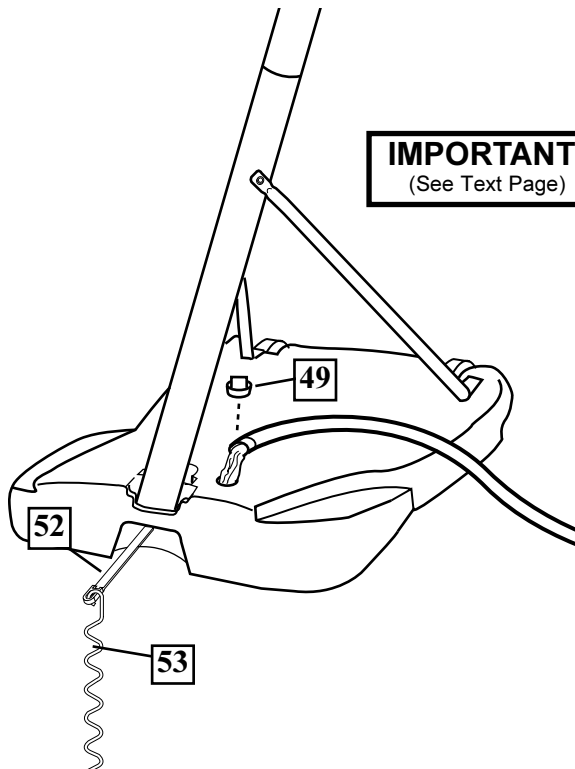
⚠ WARNING
(See Text Page)



22.

⚠WARNING
(See Text Page)

IMPORTANT!
(See Text Page)

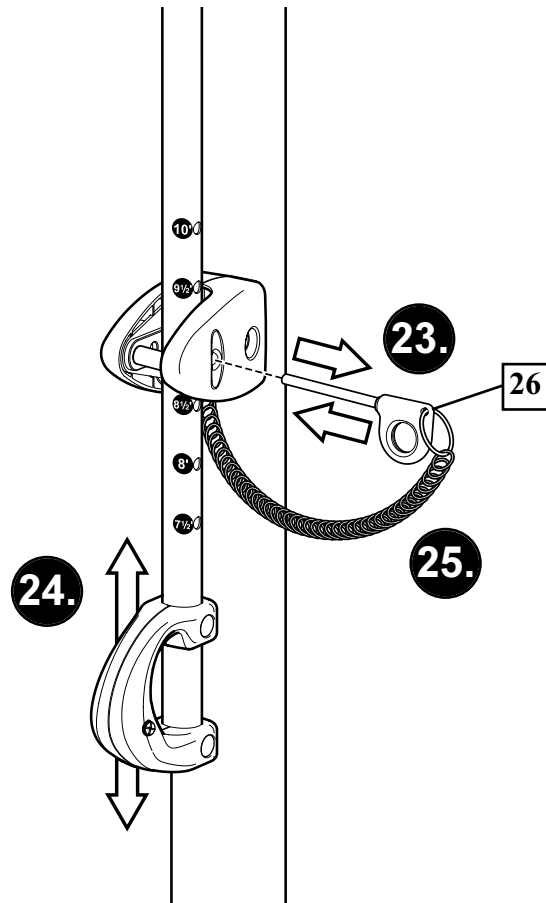


23.

24.

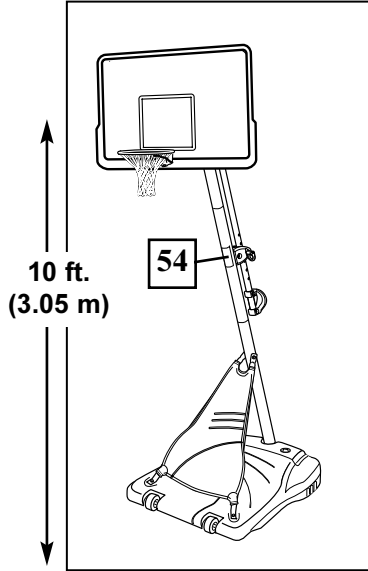
25.

⚠WARNING
(See Text Page)

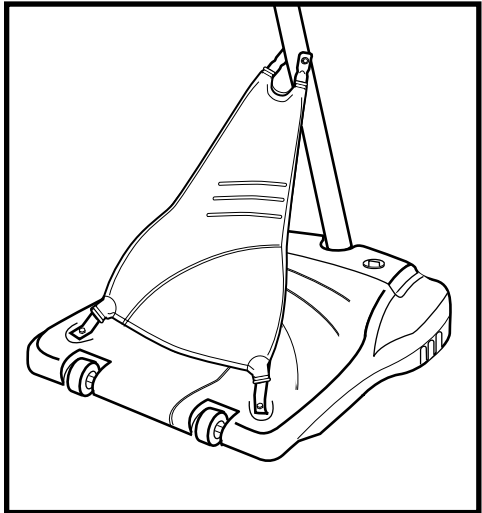
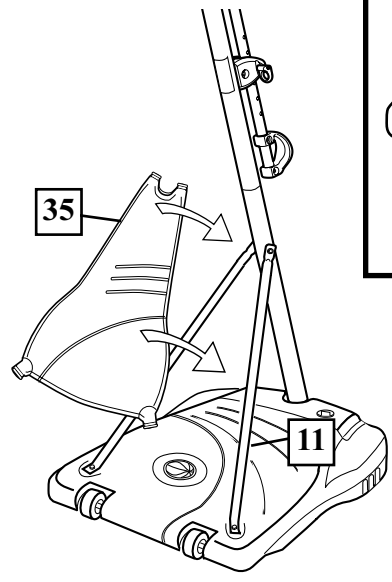


26.

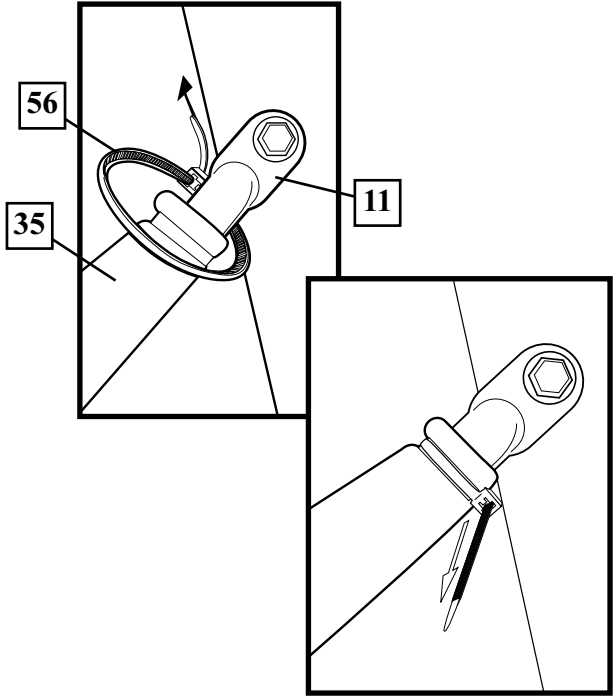
NOTE:
Peel protective film from surface of acrylic backboard prior to use.



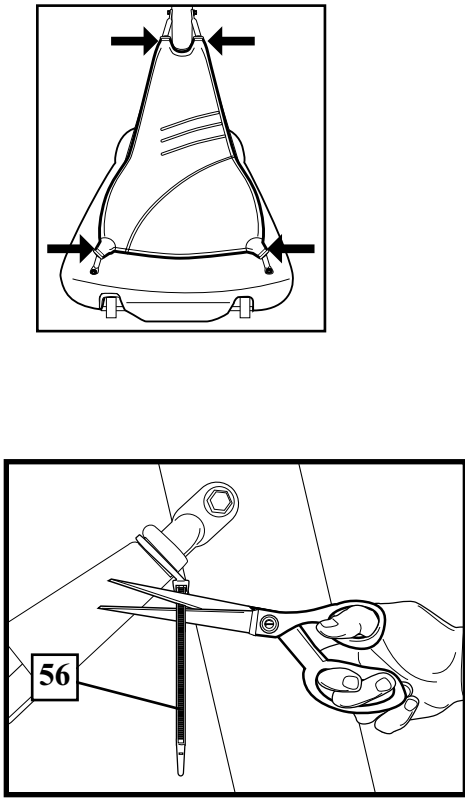
27.



28.



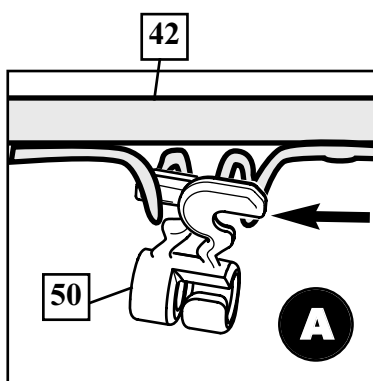
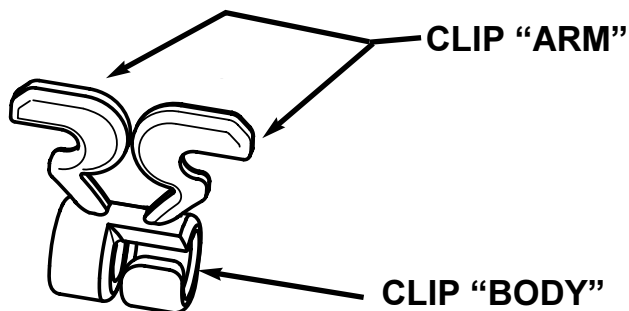
29.



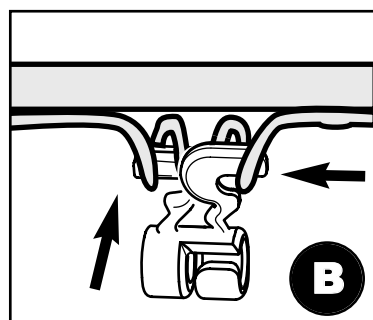
30.

Install net clips.

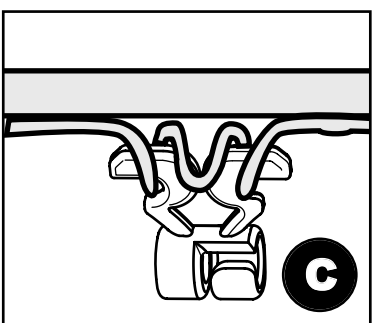
⚠ WARNING: Use of this product without proper installation of net clips, or when all net clips are not present could result in bodily harm. Be sure to follow directions carefully.



Insert one "arm" of clip into ram as shown. Twist "body" of clip slightly so that second "arm" slides over the top of the first "arm" as shown. Push in direction indicated by arrows.



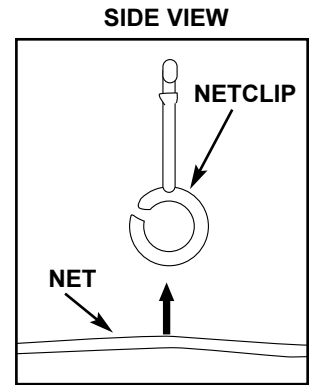
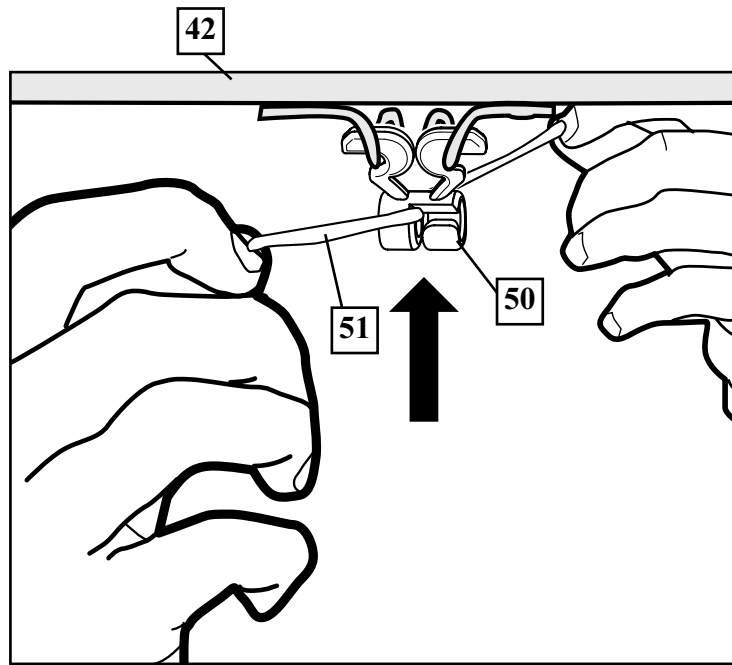
Push second "arm" back and into ram as shown.



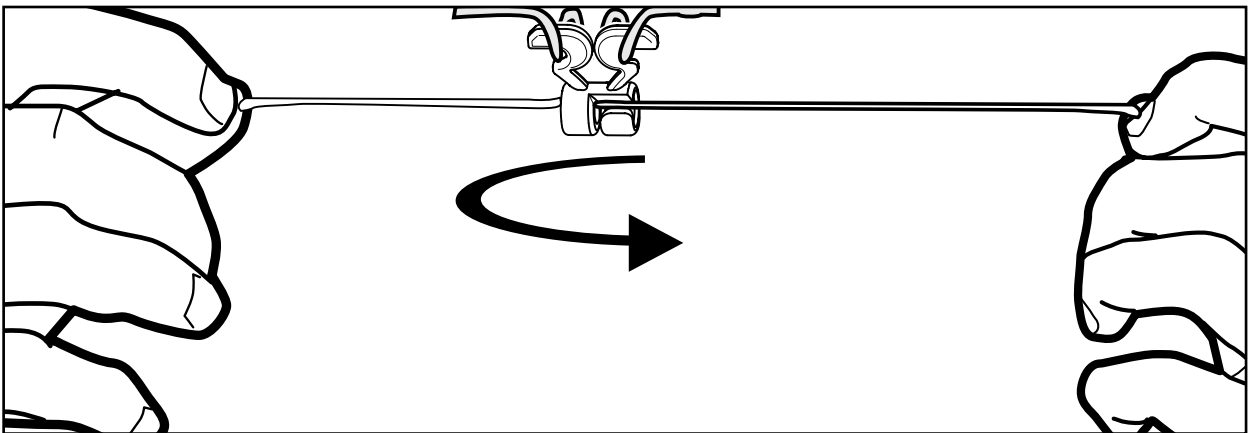
Twist "body" of clip slightly again to spread "arms" of clip. Clip "arms" must be flat and touching edge to edge as shown, not overlapping.

NET INSTALLATION

31.



Insert net into bottom of clip as shown.



Twist net until it snaps into position.
Net must be centered through clip.

