

IMPORTANT!

In U.S. and Canada only:
Have questions? ...don't go back to the store!

We appreciate your purchasing one of our many fine products. We are sure that you will be very satisfied with your selection. Although great care and effort have been taken, occasionally problems may occur. To ensure prompt and correct handling of any problems, or to answer any questions, please contact our Toll-Free Customer Service Number listed below. Service will be quicker if you have your Model Number (found on carton) and assembly instructions ready when calling. PLEASE WRITE YOUR MODEL NUMBER IN THE SPACE PROVIDED ABOVE.

SAFETY INSTRUCTIONS

FAILURE TO FOLLOW THESE SAFETY INSTRUCTIONS MAY RESULT IN SERIOUS INJURY, PROPERTY DAMAGE AND VOID WARRANTY.

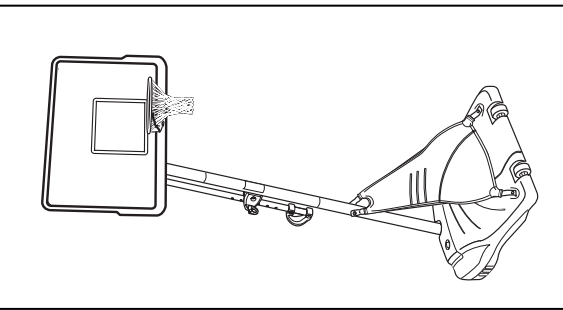
Owner must ensure that all players know and follow these rules for safe operation of the system.

To ensure safety, do not attempt to assemble this system without following the instructions carefully. Proper and complete assembly, use and supervision is essential for proper operation and to reduce the risk of accident or injury. A high probability of serious injury exists if this system is not installed, maintained, and operated properly. Check entire box and inside all packing material for parts and/or additional instructional material. Before beginning assembly, read the instructions and identify parts using the hardware identifier and parts list in this document.

- If using a ladder during assembly, use extreme caution.
- Two (2) people are recommended for this operation.
- Check base regularly for leakage. Slow leaks could cause system to tip over unexpectedly.
- Seat the pole sections properly (if applicable). Failure to do so could allow the pole sections to separate during play and/or transport of the system.
- Climate, corrosion or misuse could result in system failure.
- Minimum operational height is 6' 6" (1.98 m) to the bottom of backboard.
- This equipment is intended for home recreational use only and NOT excessive competitive play.
- Read and understand the warning label affixed to pole. Label is shown on page 1.
- The life of your basketball pole depends on many conditions. The climate, placement of the pole, the location of the pole, exposure to corrosives such as pesticides, herbicides or salts are all important.
- If technical assistance is required, contact Huffy Sports.
- Adult supervision is recommended when adjusting height.

Most injuries are caused by misuse and/or not following instructions. Use caution when using this system.

For more information on assembly, placement, proper use and maintenance, visit The American Basketball Council website at <http://www.smarthoops.com>.



NOTICE TO ASSEMBLERS

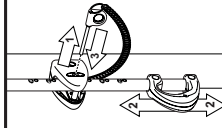
ALL Huffy Sports basketball Systems, including those used for DISPLAYS, MUST be assembled and ballasted with sand or water according to instructions. Failure to follow instructions could result in **SERIOUS INJURY**. It is **NOT** acceptable to devise a makeshift weight system.

54

HEIGHT ADJUSTMENT

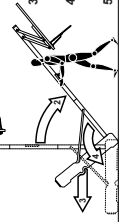
TO ADJUST BACKBOARD:

1. While holding handle, remove pin.
2. Move elevator up or down to desired height.
3. Replace pin full length to lock system at desired height.



MOVING SYSTEM

1. Adjust basketball backboard height to lowest position.
2. While holding pole, rotate basketball system forward until wheels engage with ground.
3. Move basketball system to desired location.
4. Carefully rotate basketball system upright.
5. Reattach ground restraint and check system for stability.



WARNING

FAILURE TO FOLLOW THESE WARNINGS MAY RESULT IN SERIOUS INJURY AND/OR PROPERTY DAMAGE.

Owner must ensure that all players know and follow these rules for safe operation of the system.

- DO NOT HANG on the rim or any part of the system including backboard, support braces or net.
- During play, especially when performing dunk type activities, keep player's face away from the backboard, rim and net. Serious injury could occur if teeth/faces come in contact with backboard, rim or net.
- Do not slide, climb, shake or play on base and/or pole.
- After assembly is complete, fill system completely with water or sand and stake to the ground. Never leave system in an upright position without filling base with weight, as system may tip over causing injuries.
- When adjusting height or moving system, keep hands and fingers away from moving parts.
- Do not allow children to move or adjust system.
- During play, do not wear jewelry (rings, watches, necklaces, etc.). Objects may entangle in net.
- Surface beneath the base must be smooth and free of gravel or other sharp objects. Punctures cause leakage and could cause system to tip over.
- Keep organic material away from pole base. Grass, litter, etc. could cause corrosion and/or deterioration.
- Check pole system for signs of corrosion (rust, pitting, chipping) and repaint with exterior enamel paint. If rust has penetrated through the steel anywhere, replace pole immediately.
- Check system before each use for: proper ballast, loose hardware, excessive wear and signs of corrosion and repair before use.
- Check system before each use for instability.
- Do not use system during windy and/or severe weather conditions; system may tip over. Place system in the storage position and/or in an area protected from the wind and free from personal property and/or overhead wires.
- Never play on damaged equipment.
- See instruction manual for proper installation and maintenance.
- When moving system, use caution to keep mechanism from shifting.
- Keep pole top covered with cap at all times.
- Do not allow water in tank to freeze. During sub-freezing weather add non-toxic antifreeze, sand or empty tank completely and store. (Do not use salt.)
- Use extreme caution if placing system on sloped surface. System may tip over more easily.

HUFFY SPORTS

In the U.S.: 1-800-558-5234 and Canada: 1-800-284-8339

201241 2/99

TUFF STUFF® and associated trademarks are owned and used with permission of Mattel, Inc. Huffy products are not sponsored, endorsed or authorized in any way by Mattel, Inc. or any of its affiliated or subsidiary companies.

Toll-Free Customer Service Number for U.S.: 1-800-558-5234, for Canada: 1-800-284-8339, for Europe: 00 800 555 85234 (Sweden: 009 555 85234), for Australia: 1-800-333 061 - Internet Address: <http://www.huffysports.com>

PARTS LIST - See Hardware Identifier

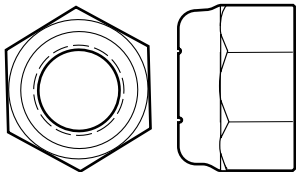
<u>Item</u>	<u>Qty.</u>	<u>Part No.</u>	<u>Description</u>	<u>Item</u>	<u>Qty.</u>	<u>Part No.</u>	<u>Description</u>
1	1	206336	Tank	31	1	204803	Screw, Phillips Head
2	2	206330	Wheel Axle, 4-1/4 Long	32	1	204855	Handle, Left
3	2	226401	Wheel, 4" (Black)	33	1	204856	Handle, Right
4	1	904847	Top Pole Section	34	2	900103	Board Bracket
5	1	908481	Middle Pole Section	35	1	203255	Front Cover
6	1	908487	Bottom Pole Section	36	2	200874	Spacer, Steel .402 I.D. x .50 O.D. x 1.5 Long
7	1	202820	Rod, 3/8 O.D. x 4-3/4 Long	37	1	206990	Reinforcement Bracket
8	1	202822	Eyebolt, 3/8-16 x 3-3/4 Long	38	4	201681	Spacer, Plastic, .530 I.D. x .875 Long
9	1	202821	Disk, 2-3/4 Diameter	39	7	206340	Lock Nut, Hex Head, 1/2-13
10	1	203063	Nylon Insert Lock Nut, 3/8-16	40	2	908408	Elevator Tube, Lower - Long
11	2	906410	Strut, 43" Long, With Flat Ends	41	1	204837	Spring
12	1	203220	Nut, Ny-lock, 5/16-18	42	1		Rim
13	7	203218	Washer, 5/16 Flat	43	2	904820	Elevator Tube, Upper - Short
14	1	201625	Bolt, Yellow Dichromate, 5/16-18 X 3.60 Long	44	2	201682	Spacer, .530 I.D. x 1.875 Long
15	2	203798	Bolt, Hex Flange, 5/16-18 x 1-1/2 Long	45	2	900867	Plate, Triangle, (Black)
16	9	203100	Hex Flange Nut 5/16-18	46	1	202814	Cap, Pole Top
17	1	204832	Bracket, Pole Mount	47	6	206244	Bolt, Hex, 1/2-13 x 8 Long
18	2	203231	Carriage Bolt, 5/16-18 x 3-1/2 Long	48	1	204870	Bolt, Hex, 1/2-13 x 3-1/2 Long
19	4	203232	Washer, Metal, 3/4" O.D.	49	2	203617	Plug Cap
20	4	201124	Lock Nut, Hex Head, 3/8-16	50	12	201219	Smart Clip, Net Holder
21	4	206360	Bolt, Hex Head, 3/8-16 x 2-5/8 Long	51	1		Net
22	2	204858	Spacer, Biscuit, Plastic	52	1	201568	Anchor, T-Strap
23	2	204857	Spacer, Metal 1/2" O.D.x1.44 Long	53	1	203124	Stake, Tie Down
24	2	204859	Cover, Spring	54	1	201252	Label, Height Adjustment and Moving
25	1	203038	Carriage Bolt, 5/16-18 x 2-3/4 Long	55	4*	205528	Bolt, Hex Flange, 5/16-18 x 1 Long
26	1	204850	Pin, Locking	56	4*	203257	Zip Tie
27	1	204853	Lanyard, Black Coil	57	4	201683	Spacer, 530 I.D. x1.5 Long
28	1	904833	Height Adjustment Rod				
29	1	204872	Label, Height Indicator				
30	2	203103	Carriage Bolt, 5/16-18 x 2 Long				

* YOU MAY HAVE EXTRA PARTS WITH THIS MODEL.

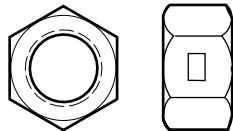
WARRANTY CARD:

Please remember to complete your product registration form either on-line at:
www.huffysports.com
 or mail-in the enclosed postcard.

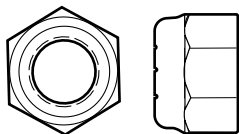
HARDWARE IDENTIFIER (BOLTS & WASHERS)



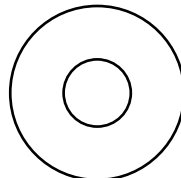
Item #39 (7)



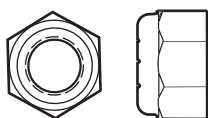
Item #20 (4)



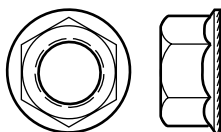
Item #10 (1)



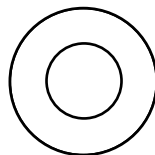
Item #13 (7)



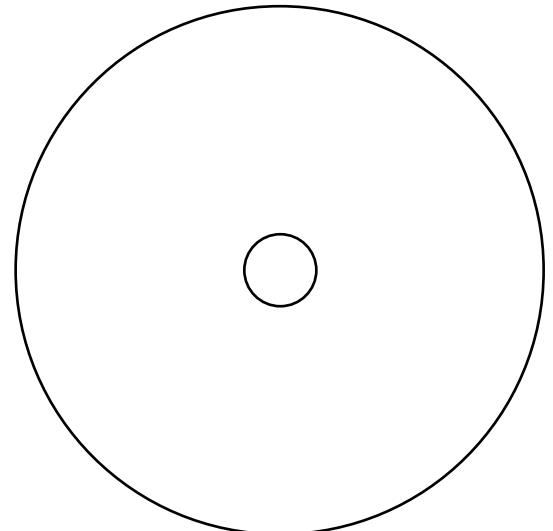
Item #12 (1)



Item #16 (9)



Item #19 (4)

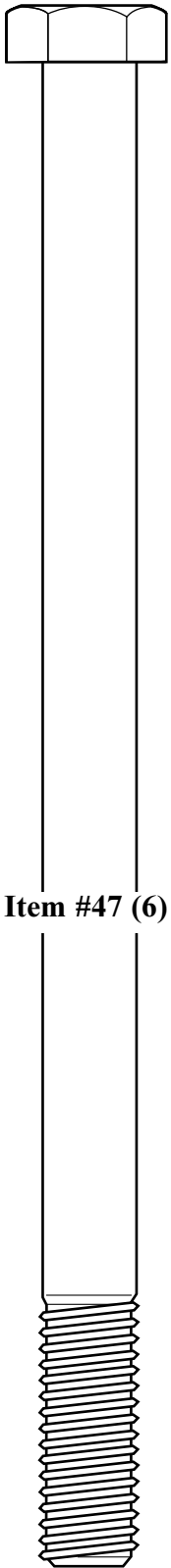


Item #9 (1)

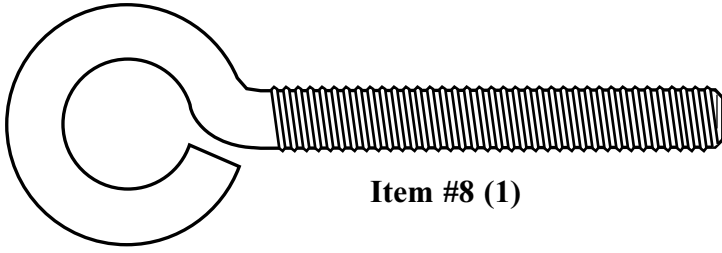
* You may have extra parts with this model.

HARDWARE IDENTIFIER (CONTINUED)

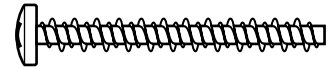
HARDWARE IDENTIFIER (BOLTS & SCREWS)



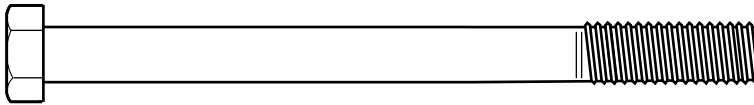
Item #47 (6)



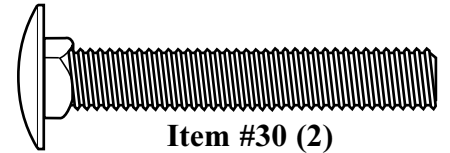
Item #8 (1)



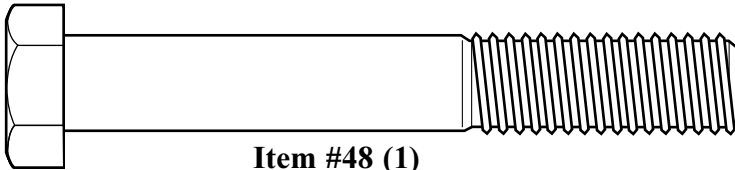
Item #31 (1)



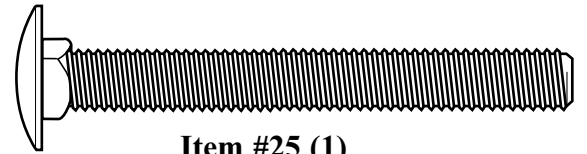
Item #14 (1)



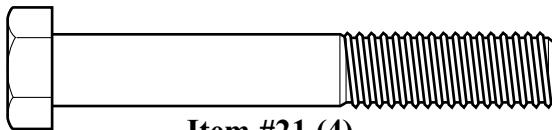
Item #30 (2)



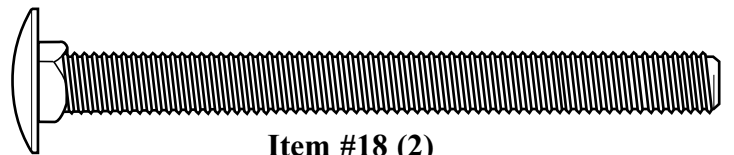
Item #48 (1)



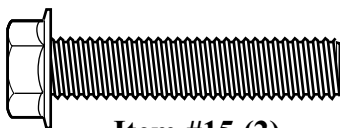
Item #25 (1)



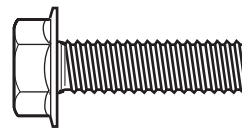
Item #21 (4)



Item #18 (2)



Item #15 (2)



Item #55 (4)*

* You may have extra parts with this model.

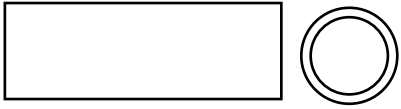
HARDWARE IDENTIFIER (STEEL SPACERS & RODS)



Item #36 (2)



Item #2 (2)



Item #23 (2)

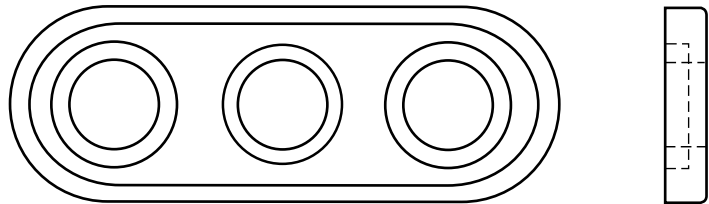


Item #7 (1)

HARDWARE IDENTIFIER (PLASTIC SPACERS & CLIPS)



Item #44 (2)



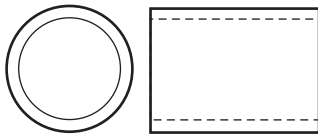
Item #22 (2)



Item #57 (4)

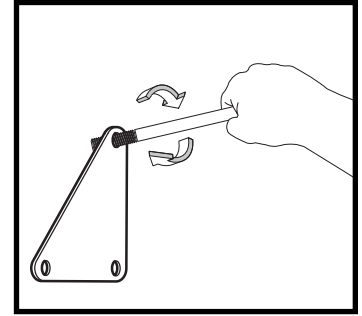
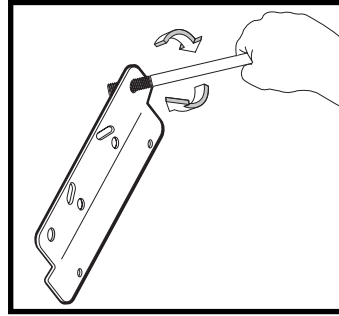
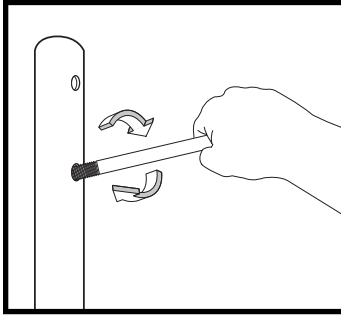


Item #50 (12)



Item #38 (4)

BEFORE YOU START!



To ensure optimal playability of backboard system, a close tolerance fit between the elevator components and hardware is required. Test fit large bolts into large holes of elevator tubes, backboard brackets and triangle plates. Carefully rock them in a circular motion to ream out any excess paint from holes if necessary.

INSTRUCTIONS

IMPORTANT! WRITE MODEL NUMBER FROM BOX ONTO PAGE 1 OF THIS OWNERS MANUAL

1. Remove all contents from underside of tank. Keep tank (1) bottom side up.
2. Insert axle rod (2) through wheel (3), as shown. Secure wheel assembly to tank (1) by tapping wheel downward with hammer, snapping it into position. Repeat for opposite side, then carefully, turn tank (1) over.
3. Mark pole sections with tape as shown.
4. **IMPORTANT! Center alignment slot of middle pole section (5) in a lower hole of top pole section (4) as shown.** While maintaining alignment, bounce pole top (4) and middle section (5) together as shown until they no longer move toward taped reference mark. Upright assembly. **NOTE:** Pole sections should have a 3-1/2" (9 cm) overlap minimum.
5. **IMPORTANT! Center alignment slot of lower pole section (6) in a lower hole of middle pole section (5) as in step 4.** While maintaining alignment, bounce assembly and lower section (6) together as shown until they no longer move toward taped reference mark. **NOTE:** Pole sections should have a 3-1/2" (9 cm) overlap minimum.
6. Install rod (7) through holes in bottom pole section (6) and eyebolt (8).
7. Insert pole assembly into tank assembly as shown.
8. Carefully place unit on its side. Secure pole bottom (6) to tank with anchor strap (52), washers (9 & 13) and nut (10) as shown. Upright unit. **NOTE:** Keep unnecessary pressure off of the pole assembly when in this position. Two people recommended for this procedure. **IMPORTANT! DO NOT over tighten.**
9. Secure strut tubes (11) to bottom pole section (6) as shown.
▲ WARNING: TIGHTEN BOLT (14) IN LOCK NUT (12) UNTIL FLUSH (EVEN) WITH LOCK NUT'S OUTER EDGE.
10. Carefully place unit in the side position and secure strut (11) to tank (1) as shown. Completely tighten. Repeat for opposite side. **NOTE:** Keep unnecessary pressure off of the pole assembly when in this position. Two people recommended for this procedure.
11. Install pole mount bracket (17) and reinforcement bracket (37) with carriage bolts (18) as shown. Tighten flange nuts (16) completely.
12. Attach spacers (22, 23) to pole mount bracket (17) with bolts (21), washers (19), and nuts (20) as shown. **IMPORTANT! Tighten just until washers (19) stop moving.**
13. Attach covers (24) onto pole mount bracket (17) with carriage bolt (25) and nut (16) as shown. **IMPORTANT: Loop end of pin lanyard (27) over carriage bolt (25) during this assembly.** **NOTE:** Assemble lanyard (27) to locking pin (26) as shown.
14. Apply logo and height indicator labels (29) to adjustment rod (28) as shown. Attach handle parts (32, 33) to adjustment rod with screw (31), carriage bolt (30), and flange nut (16) as shown. **IMPORTANT! Indicator labels should be applied as close to holes as possible to prevent labels from being damaged during height adjustment.**
15. Insert handle assembly through pole mount assembly as shown. Lock pole assembly in place at the 10' (3.05 m) mark with pin (26).
16. Attach backboard support brackets (34) to the backboard frame using bolts (21), spacers (36), and nuts (20) as shown.
17. Assemble lower elevator tubes (40) as shown. **NOTE:** Test fit bolts into holes of brackets (34) and carefully rock them in a circular motion to

ream out paint from holes if necessary. **IMPORTANT! It is necessary for all parts to be installed for this mechanism to work safely and properly.**

18. Assemble upper elevator tubes (43) to backboard brackets (34).
19. Support pole on sawhorse. Attach backboard assembly to top pole section (4) as shown. Install pole cap (46). **NOTE:** Two people are recommended for this step. Use caution; elevator assembly is heavy.
20. Install upper elevator tubes (43) to triangle plates (45) as shown. Install handle assembly to lower elevator tubes (40) using bolt (47), spacers (44), and nut (39) as shown. **NOTE:** Before going on to next step, set adjustable system assembly to the 10' (3.05 m) setting.
21. Insert bolt (47) through left side upper elevator tube (43), then stretch spring (41) onto bolt (47). Insert bolt (47) through right side upper elevator tube (43) and secure with nut (39).
▲ WARNING: USE EYE PROTECTION WHEN INSTALLING SPRINGS.
22. Roll completed assembly to desired position. Secure assembly to ground using anchor strap (52) and tie down stake (53). Fill tank with water (approx. 30 gallons (115 Liters)) or sand (approx. 255 lbs. (113 kg)) and snap cap (49) in place. **IMPORTANT! Add two gallons (7.6 Liters) of non-toxic antifreeze in sub-freezing climates.**
▲ WARNING: DO NOT LEAVE ASSEMBLY UNATTENDED WHEN EMPTY, MAY TIP OVER.
23. While holding handle, remove pin (26).
▲ WARNING: DO NOT ALLOW CHILDREN TO ADJUST HEIGHT.
24. Move elevator up or down to desired height.
25. Replace pin (26) full length to lock system at desired height.
26. Apply height and transport label (54) to front of pole as shown.
27. Install front cover (35) onto struts (11) as shown.
28. Loop zip tie (56) around strut (11) and cover (35). Pull flat end of zip tie (56) through square end of zip tie until completely tightened. **NOTE:** Ridges on zip tie (56) should be on inside of loop when pulling flat end of tie through square end.
29. Once fully secured in the four areas shown, trim excess of zip tie (56) with scissors.
▲ WARNING: USE OF THIS PRODUCT WITHOUT PROPER INSTALLATION OF SMART CLIPS, OR WHEN ALL SMART CLIPS ARE NOT PRESENT COULD RESULT IN BODILY HARM. BE SURE TO FOLLOW DIRECTIONS CAREFULLY.
30. Install net clips as shown. (See illustration)
31. Install net as shown. (See illustration)

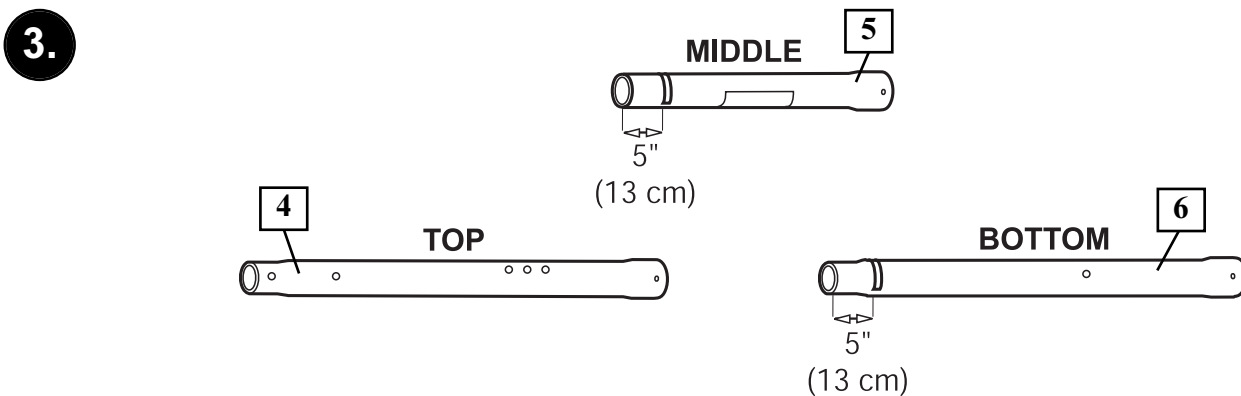
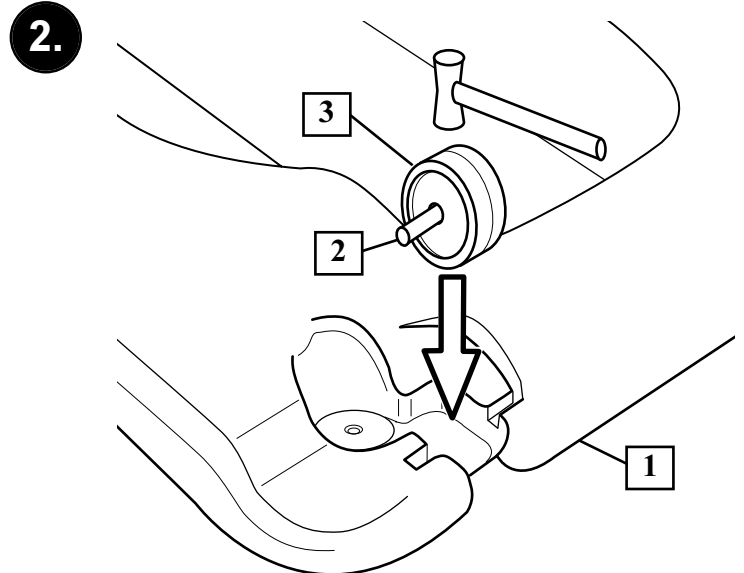
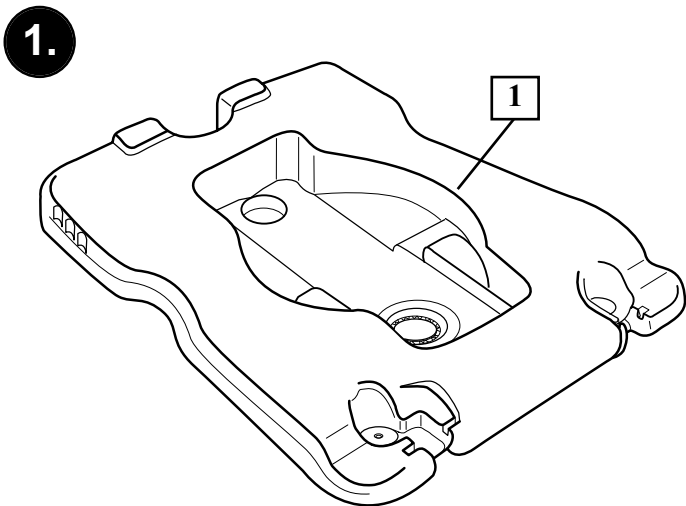
WARNING: IF YOUR SYSTEM IS EQUIPPED WITH AN ACRYLIC BACKBOARD, EXAMINE BACKBOARD FOR ANY DAMAGE THAT MAY HAVE OCCURRED DURING SHIPMENT. CRACKS IN THE BACKBOARD COULD RESULT IN SUDDEN BREAKAGE. IF BACKBOARD IS DAMAGED IN ANY WAY PRIOR TO OR AFTER ASSEMBLY, CALL TOLL-FREE NUMBER FOR FREE REPLACEMENT: U.S. 1-800-558-5234; CANADA: 1-800-284-8339; <http://www.huffysports.com>



Questions or Missing Parts?

DON'T go back to store!

Call TOLL-FREE Customer Service
Number listed on the front page!

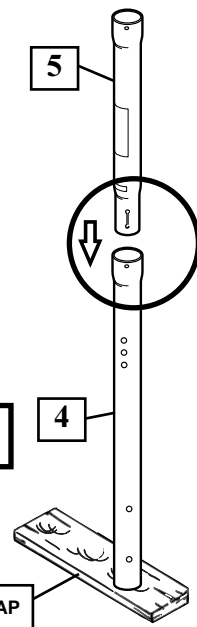


4.

Note
(See Text Page)

IMPORTANT!
(See Text Page)

WOOD SCRAP

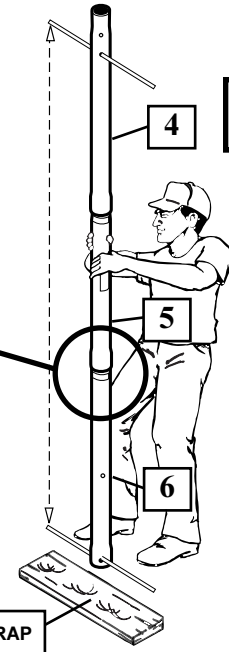
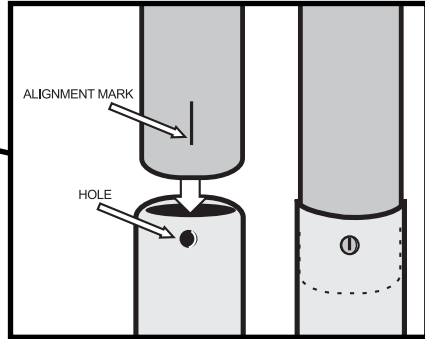


5.

Note
(See Text Page)

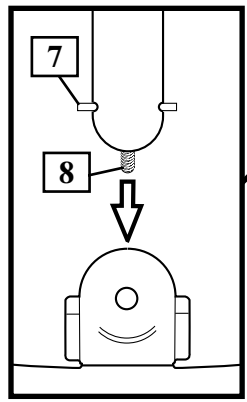
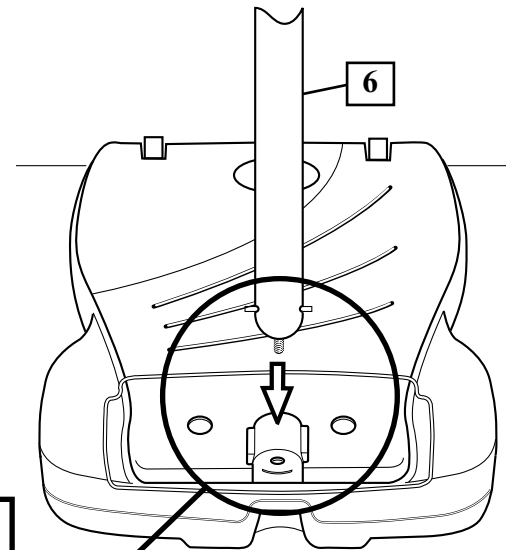
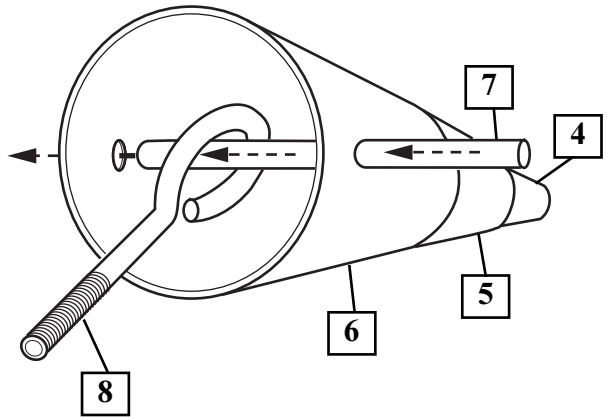
IMPORTANT!
(See Text Page)

WOOD SCRAP



6.

7.

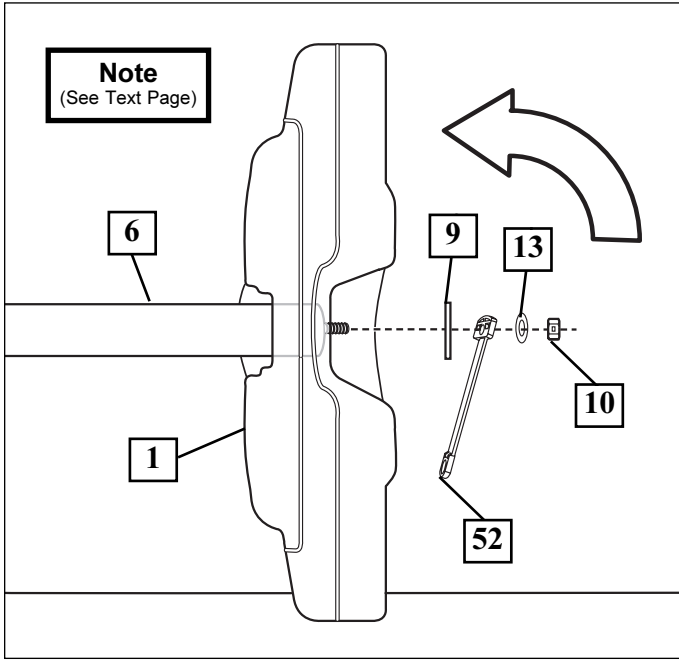


8.

IMPORTANT!

(See Text Page)

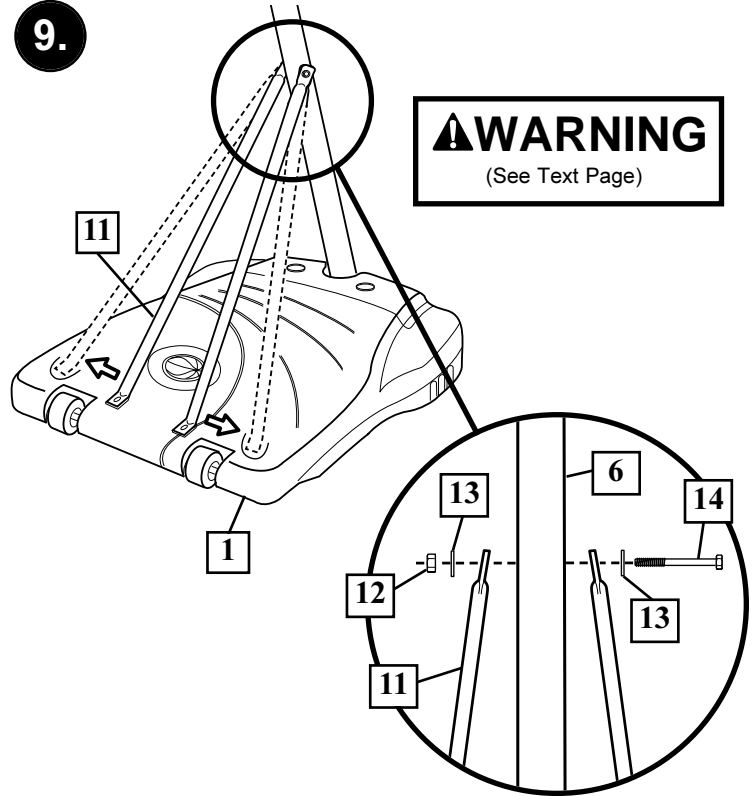
Note
(See Text Page)



9.

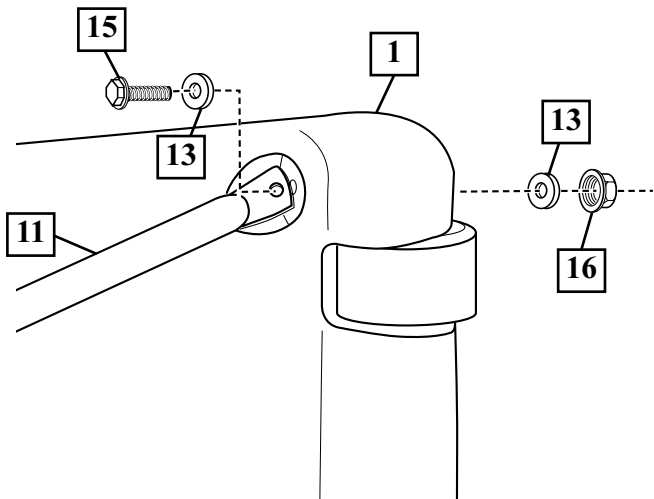
WARNING

(See Text Page)

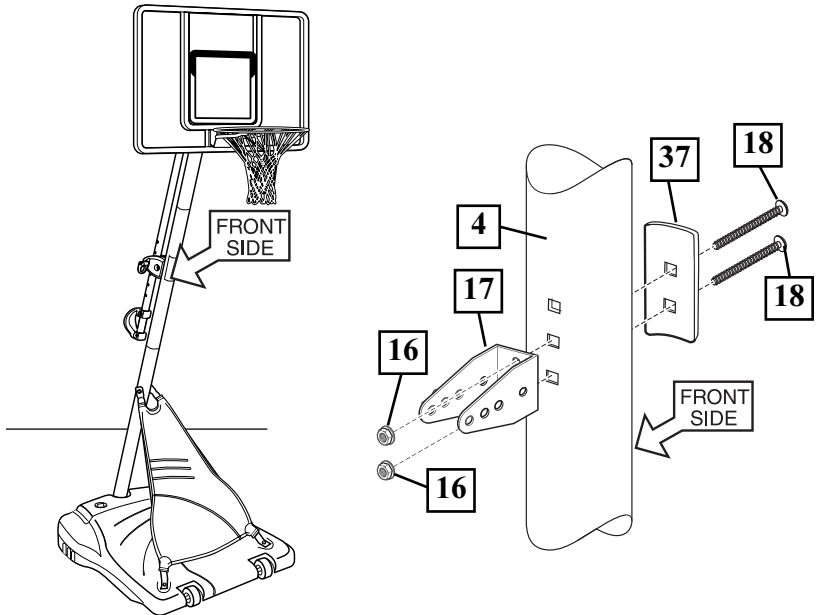


10.

Note
(See Text Page)

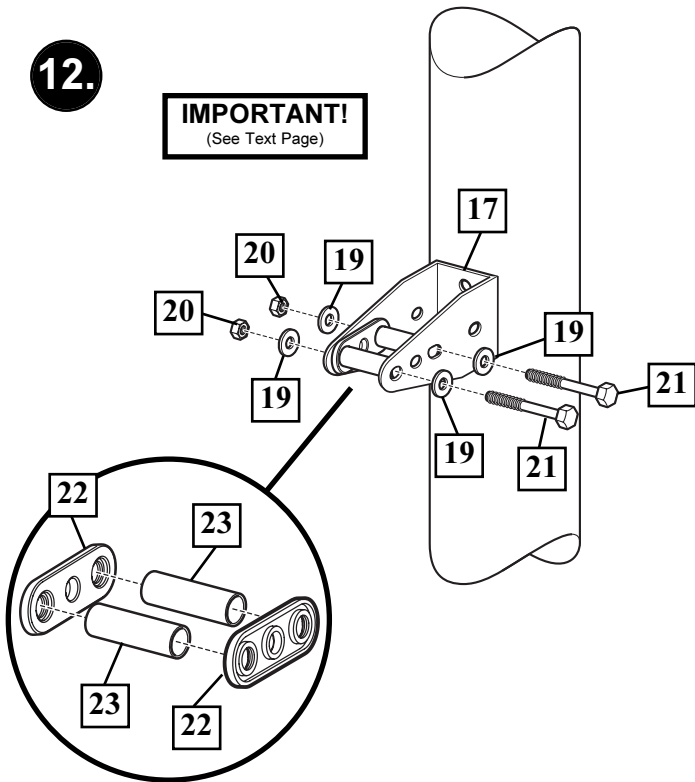


11.



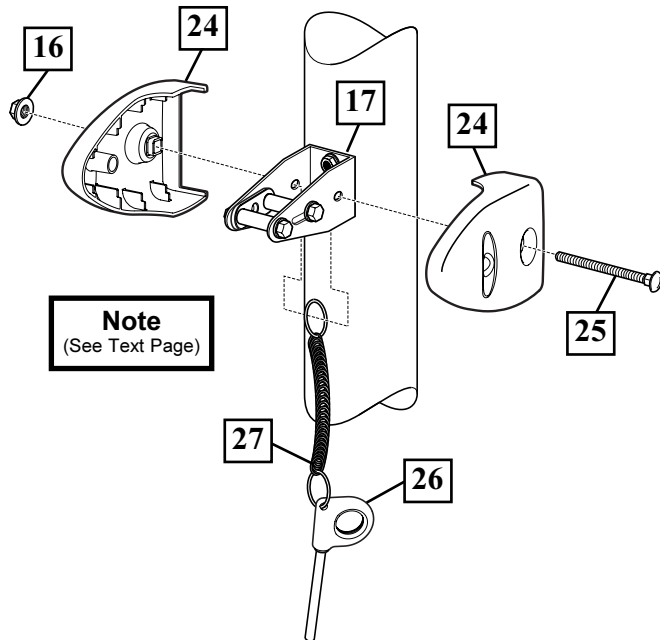
12.

IMPORTANT!
(See Text Page)



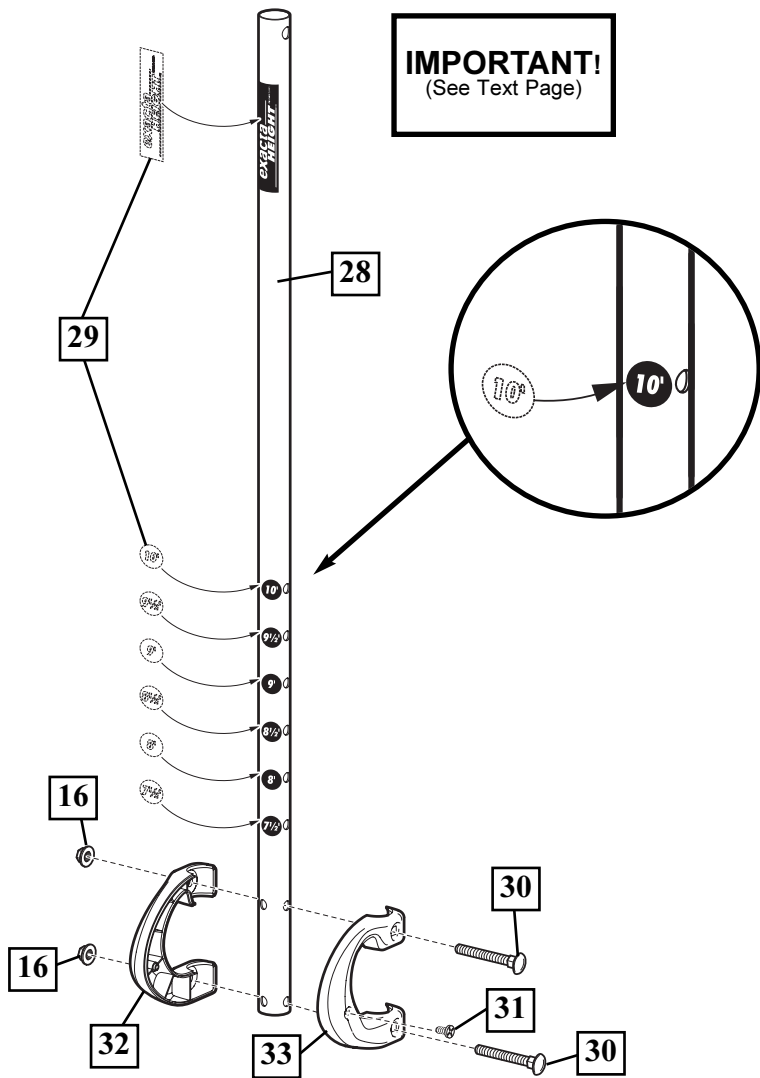
13.

IMPORTANT!
(See Text Page)

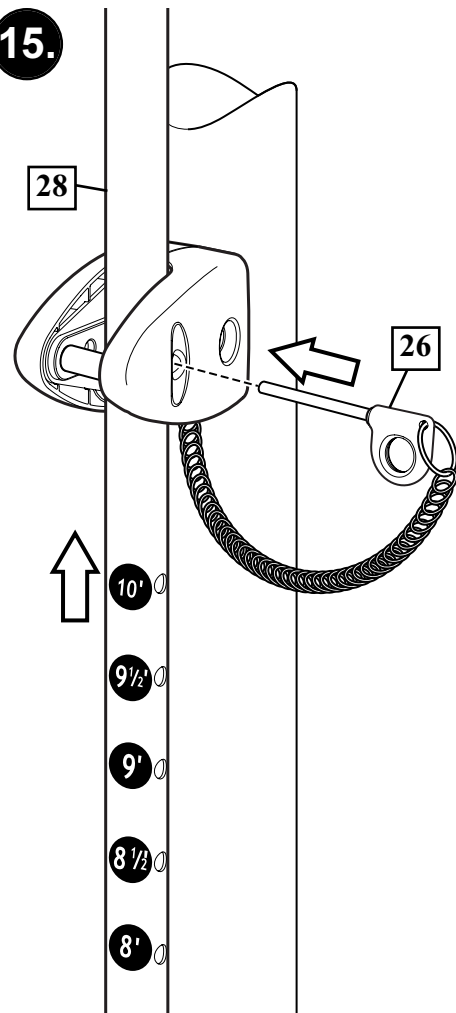


14.

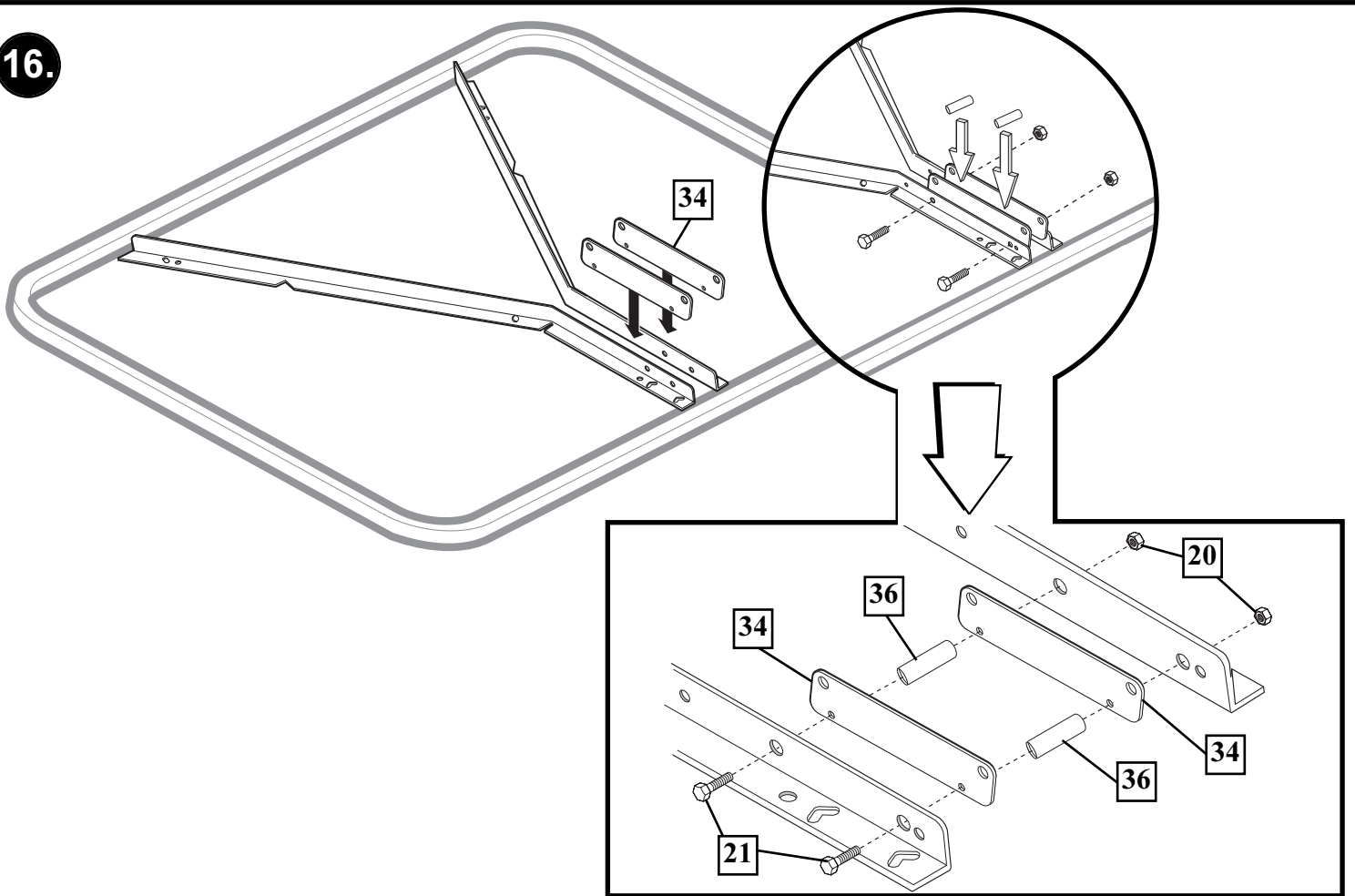
IMPORTANT!
(See Text Page)



15.

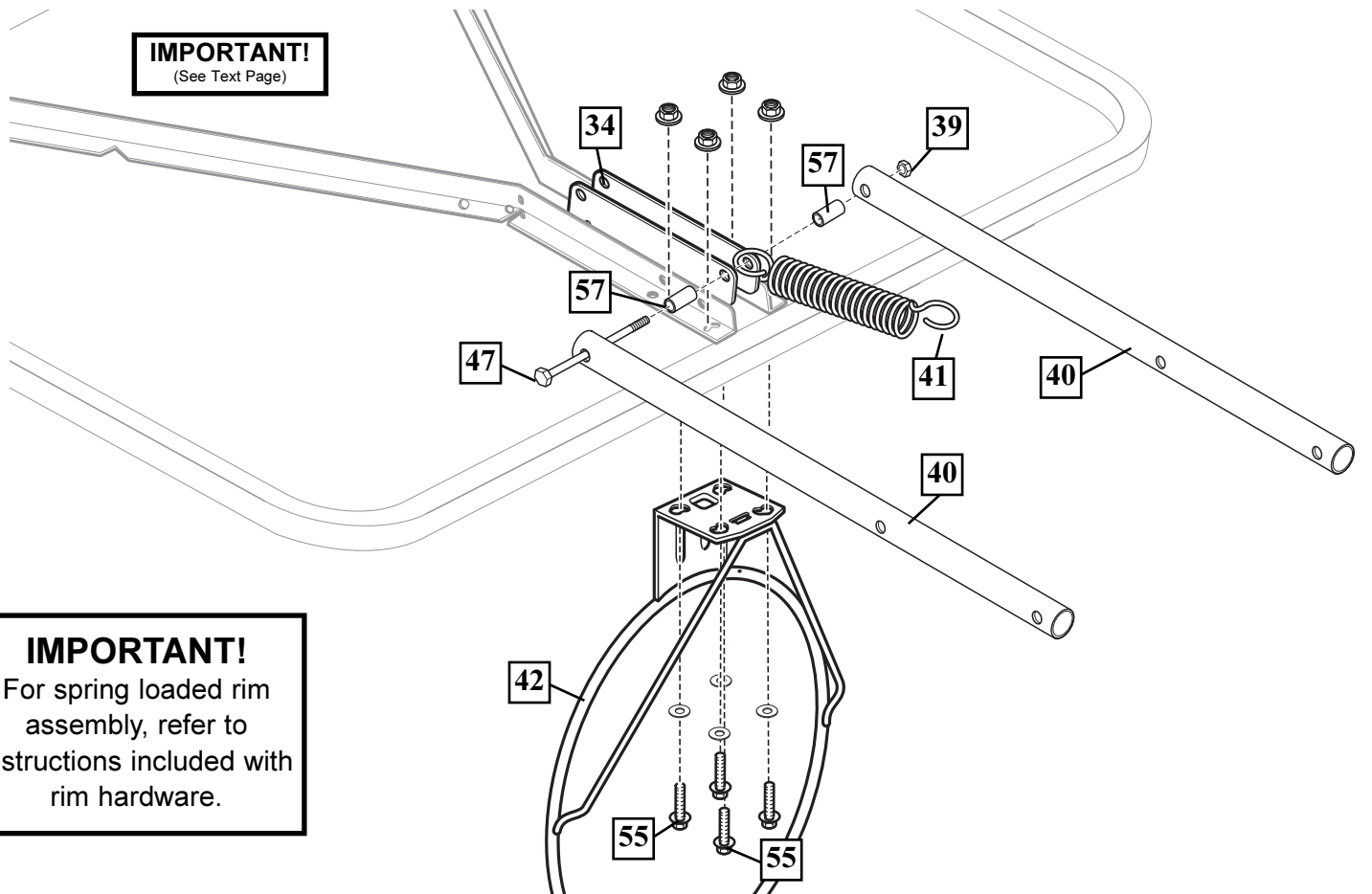


16.



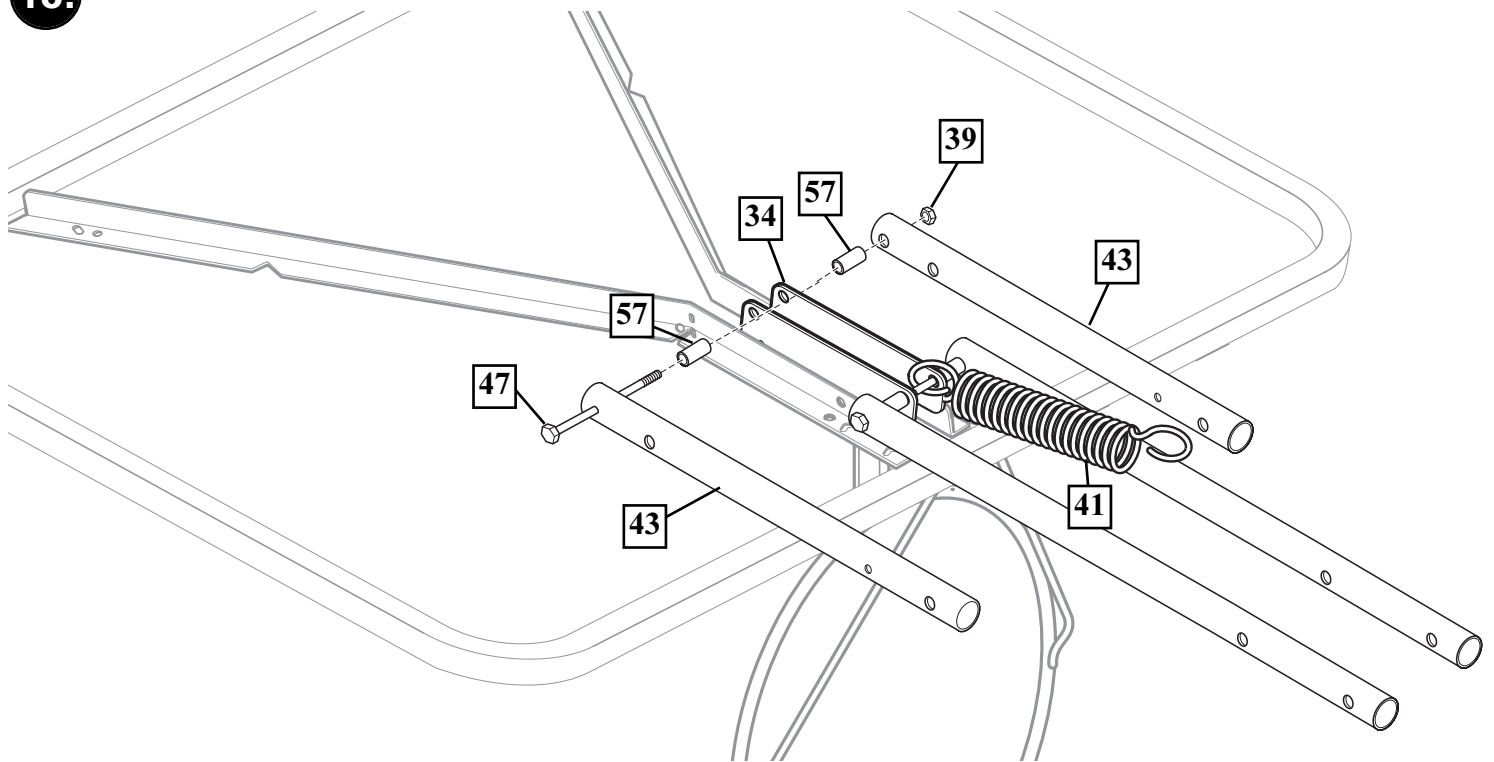
17.

IMPORTANT!
(See Text Page)

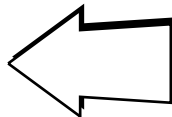
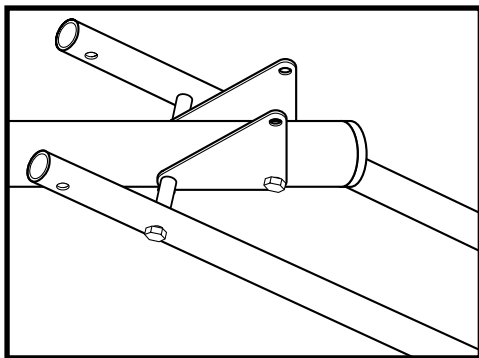


IMPORTANT!
For spring loaded rim assembly, refer to instructions included with rim hardware.

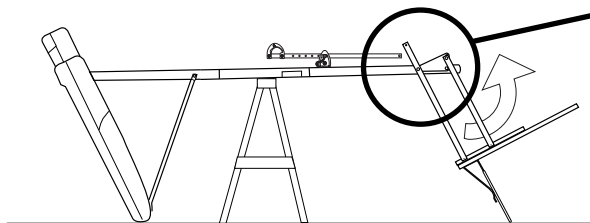
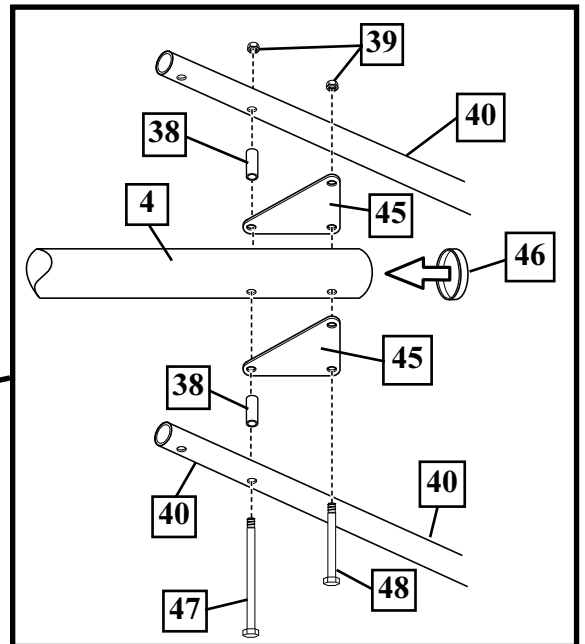
18.



19.



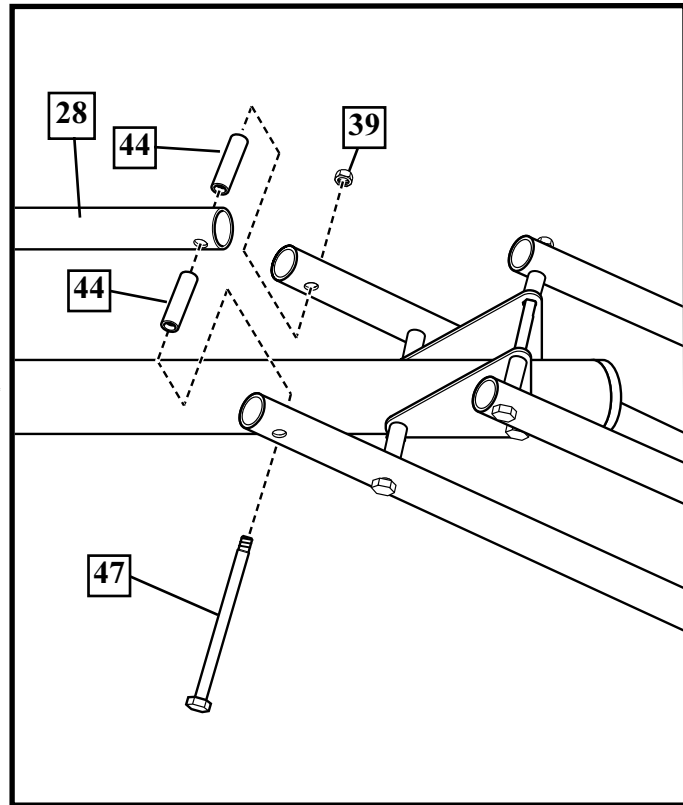
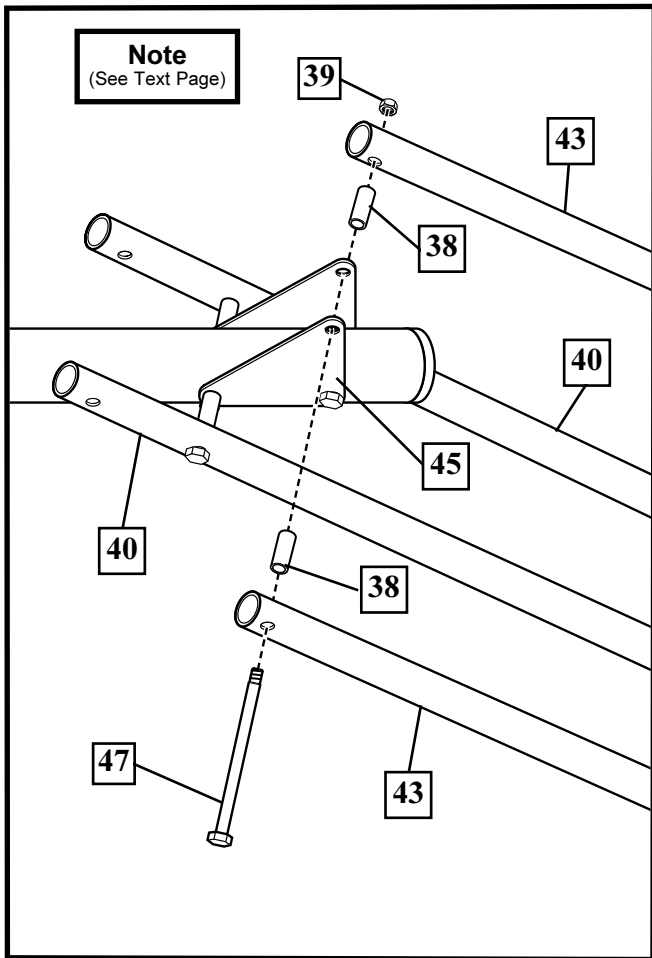
Note
(See Text Page)



SAWHORSE OR SUPPORT TABLE

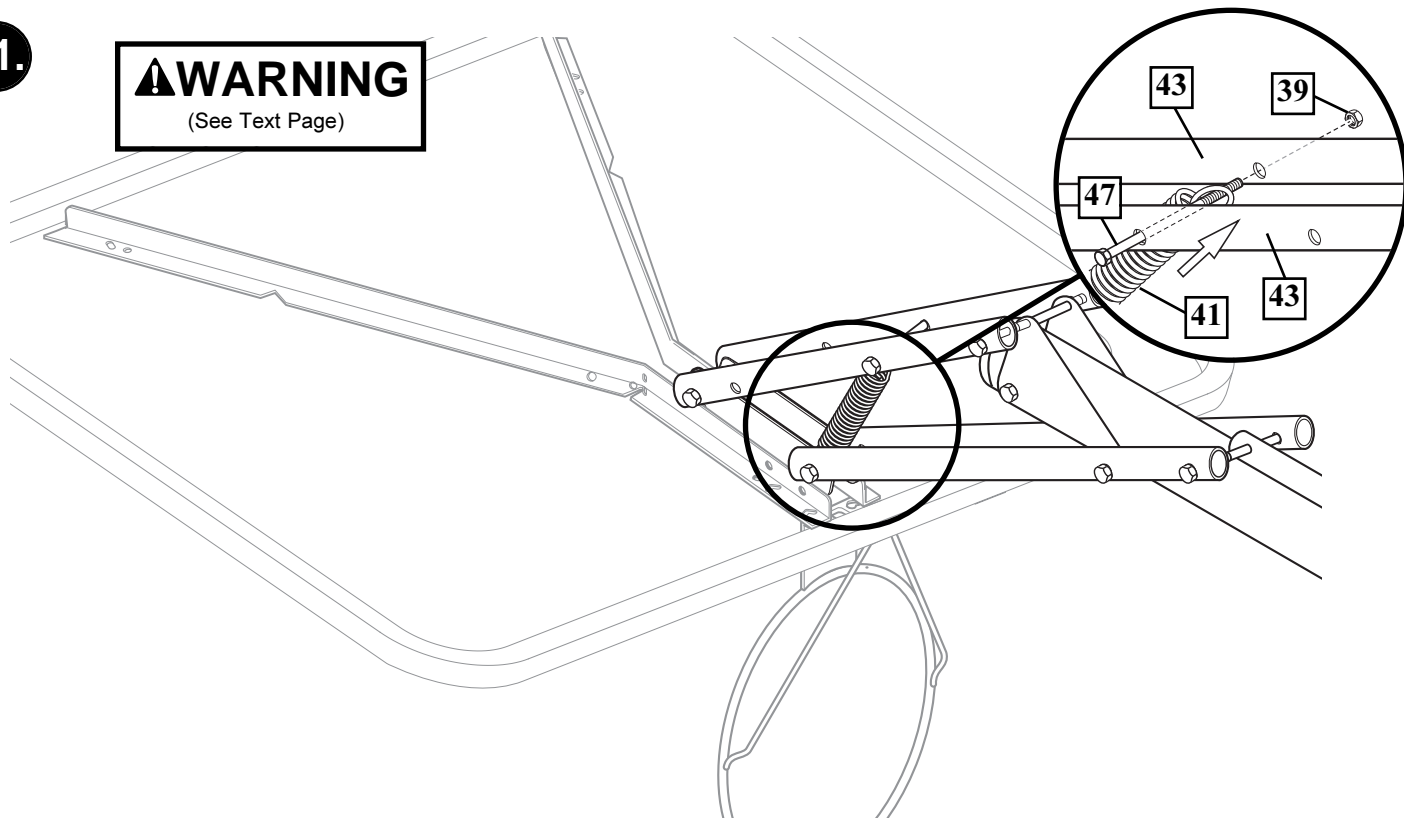
20.

Note
(See Text Page)



21.

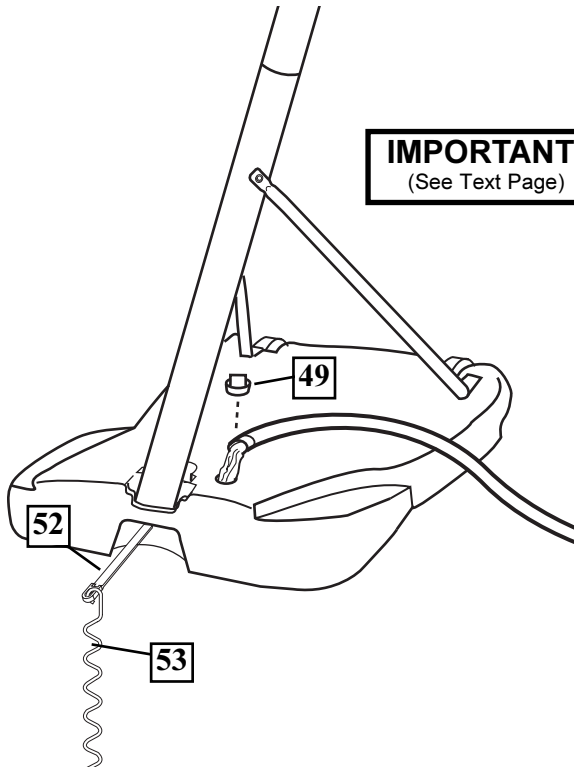
⚠ WARNING
(See Text Page)



22.

⚠WARNING
(See Text Page)

IMPORTANT!
(See Text Page)

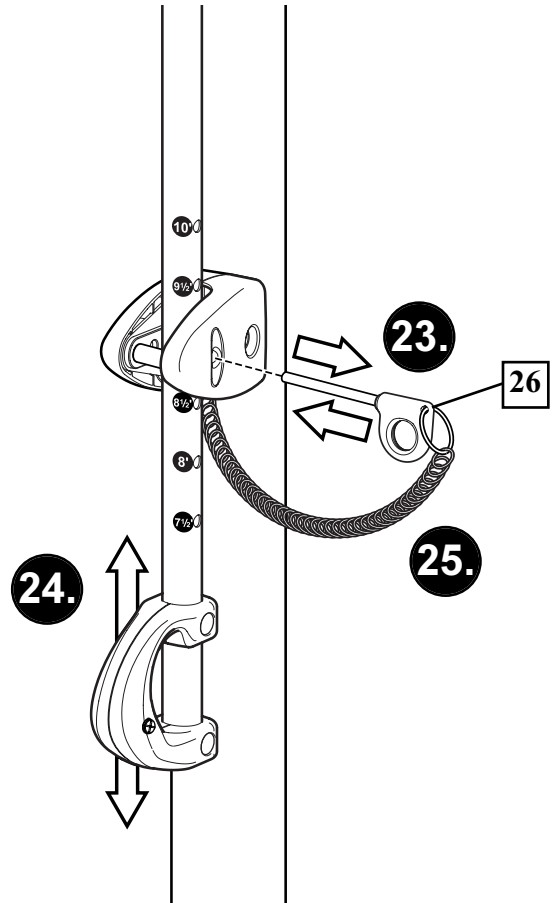


23.

24.

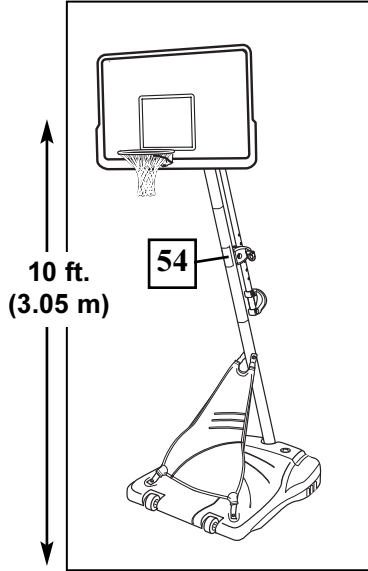
25.

⚠WARNING
(See Text Page)

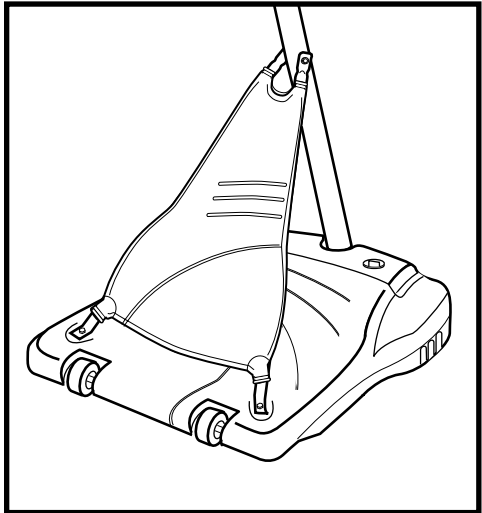
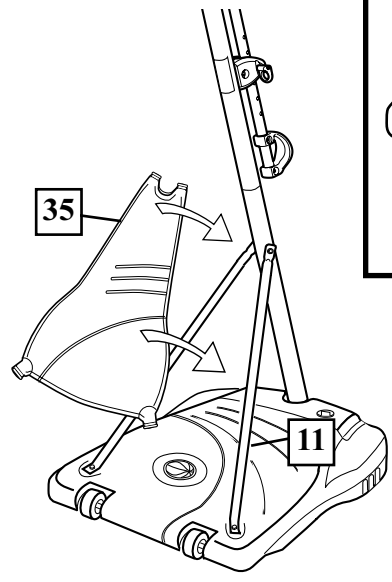


26.

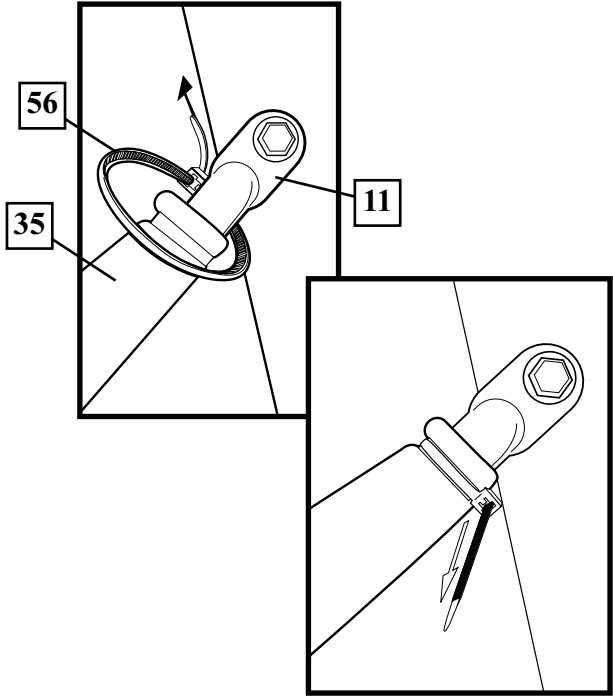
NOTE:
Peel protective film from surface of acrylic backboard prior to use.



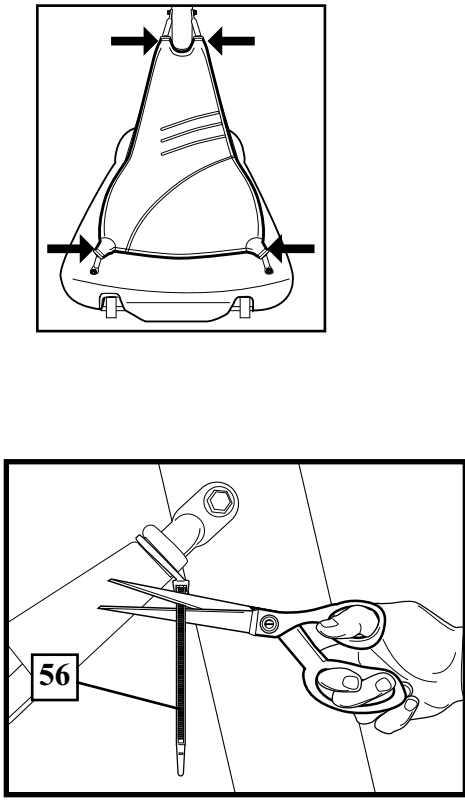
27.



28.



29.



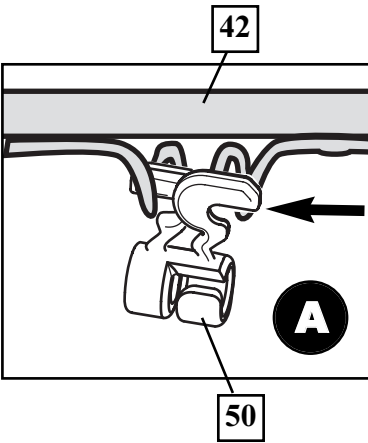
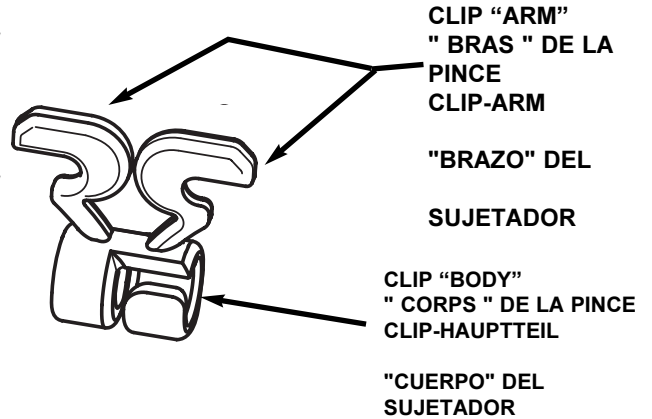
30 Install net clips. Installez les pinces du filet. Netzhalteklammern anbringen. Instale los sujetadores de la red.

! WARNING: Use of this product without proper installation of net clips, or when all net clips are not present could result in bodily harm. Be sure to follow directions carefully.

AVERTISSEMENT : L'utilisation de ce produit sans installer correctement ou toutes les pinces du filet risque de causer des blessures. Veillez à suivre scrupuleusement les instructions.

WARNUNG: Ein Gebrauch dieses Produkts ohne ordnungsgemäß angebrachte Netzhalteklammern bzw. ohne den Gebrauch der Netzhalteklammern kann Verletzungen nach sich ziehen. Die Anleitung genau befolgen.

ADVERTENCIA: Si este producto se usa con los sujetadores de la red incorrectamente instalados, o si no están todos presentes, se pueden ocasionar lesiones corporales. Asegúrese de seguir cuidadosamente las instrucciones.

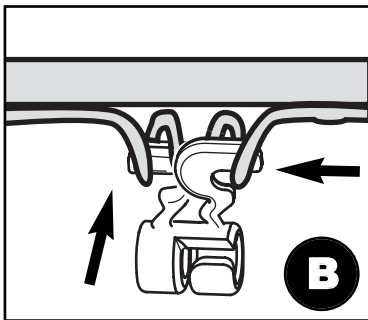


Insert one "arm" of clip (42) into ram (50) as shown. Twist "body" of clip slightly so that second "arm" slides over the top of the first "arm" as shown. Push in direction indicated by arrows.

Insérez un " bras " de la pince (42) dans l'éperon (50), comme illustré. Tournez légèrement le corps de la pince de sorte que le second bras glisse par-dessus le premier, comme illustré.

Einen Arm des Clips (42) wie gezeigt in die Spirale (50) einsetzen. Den Hauptteil des Clips etwas drehen, sodass der zweite Arm wie gezeigt oben über den ersten Arm geschoben werden kann.

Introduzca un "brazo" del sujetador (42) en el accionador (50) como se muestra. Tuerza ligeramente el "cuerpo" del sujetador de manera que el segundo "brazo" se deslice sobre el primer "brazo" como se muestra.

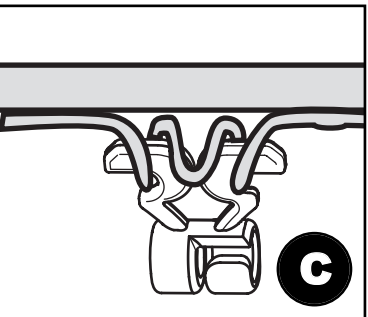


Push second "arm" back and into ram as shown.

Poussez dans le sens des flèches.

In die durch die Pfeile angezeigte Richtung schieben.

Empuje hacia la dirección que indican las flechas.



Twist "body" of clip slightly again to spread "arms" of clip. Clip "arms" must be flat and touching edge to edge as shown, not overlapping.

Tournez légèrement le corps de la pince une nouvelle fois pour en étaler les bras.

Den Hauptteil des Clips noch einmal leicht drehen, um die Arme des Clips zu spreizen.

Otra vez tuerza ligeramente el "cuerpo" del sujetador para abrir los "brazos" del sujetador.

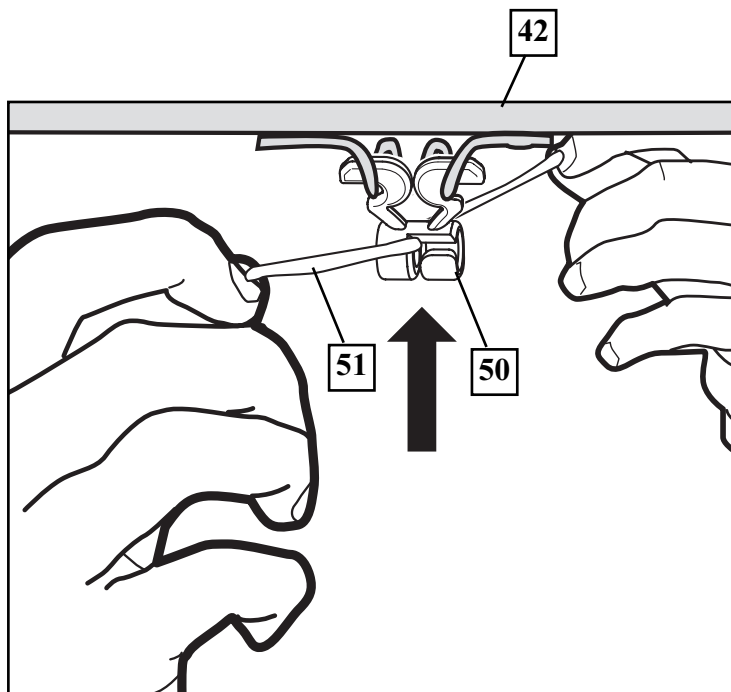
31.

Install net.

Installez le filet.

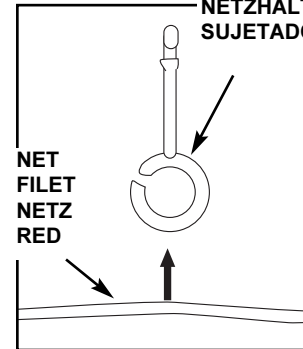
Das Netz anbringen

Instale la red.



SIDE VIEW
VUE DE CÔTÉ
SEITENANSICHT
VISTA LATERAL

NETCLIP
PINCE DE FILET
NETZHALTEKLAMMER
SUJETADOR DE LA RED

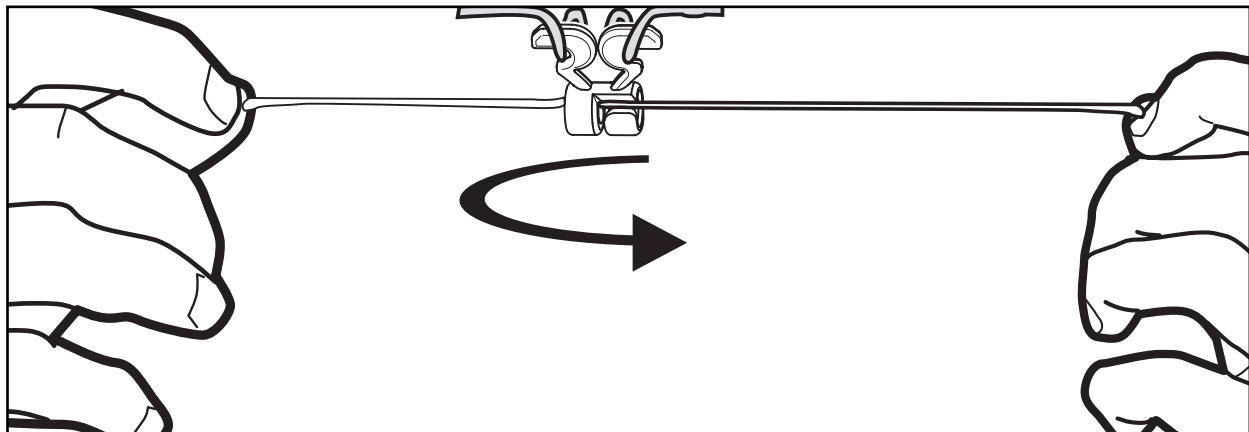


Insert net into bottom of clip as shown.

Insérez le filet dans la base de la pince, comme illustré.

Das Netz wie gezeigt unten in den Clip stecken.

Introduzca la red en la parte inferior del sujetador como se muestra.



Twist net until it snaps into position.
Net must be centered through clip.

Tournez le filet jusqu'à ce qu'il s'enclenche en position.

Das Netz drehen, bis es einschnappt.

Tuerza la red hasta que quede conectada en su posición.

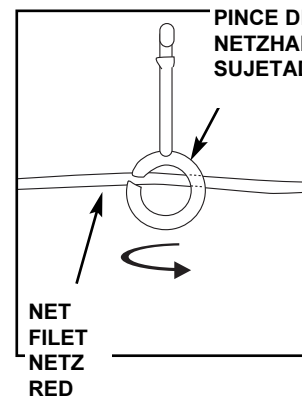
Le filet doit être centré dans la pince.

Das Netz muss im Clip zentriert werden.

La red debe quedar centrada a través del sujetador.

SIDE VIEW
VUE DE CÔTÉ
SEITENANSICHT
VISTA LATERAL

NETCLIP
PINCE DE FILET
NETZHALTEKLAMMER
SUJETADOR DE LA RED



Aux Etats-Unis et au Canada uniquement: IMPORTANT!

En cas de questions... pas besoin de retourner au magasin! Nous vous remercions d'avoir fait l'achat d'un de nos articles. Nous sommes certains qu'il vous apportera satisfaction. Malgré l'attention que nous portons aux détails, il se peut qu'un problème surgisse de temps à autre. En cas de questions ou pour rectifier tout problème, veuillez contacter notre service après-vente au numéro vert ci-dessous. Pour faciliter le service après-vente, veuillez avoir le numéro de modèle (se trouvant sur la boîte) et la notice de mode d'emploi sous la main lorsque vous nous contactez. Ecrire le numéro du modèle dans la case prévue à cet effet ci-dessus.

CONSIGNES DE SÉCURITÉ

LE NON RESPECT DE CES CONSIGNES DE SÉCURITÉ RISQUE DE PROVOQUER DES BLESSURES ET DES DÉGÂTS MATÉRIELS, ET ANNULE EN OUTRE LA GARANTIE.

Le propriétaire du matériel doit veiller à ce que les joueurs connaissent et respectent les règles de sécurité concernant ce matériel.

Pour garantir votre sécurité, n'essayez pas de monter ce système sans suivre scrupuleusement les instructions. Vérifiez la boîte dans son intégralité, ainsi que l'intérieur des emballages pour localiser toutes les pièces. Avant de commencer le montage, lisez les instructions et identifiez les pièces à l'aide de l'identificateur du matériel et de la liste des pièces se trouvant dans ce document. Un montage complet et correct, ainsi qu'une utilisation adéquate, sous supervision, sont indispensables à un fonctionnement correct et permettent de diminuer les risques d'accident ou de blessures. Des blessures graves sont à prévoir si ce système n'est pas correctement installé, entretenu ou utilisé.

- Si vous utilisez une échelle en cours de montage, soyez extrêmement prudent.
- Pour cette opération, il est recommandé de s'y prendre à deux (2).
- Vérifiez régulièrement le socle pour vous assurer qu'il ne fuit pas. Les petites fuites risquent d'entraîner le basculement intempestif du système.
- Emboîtez correctement les sections de poteau (le cas échéant). Elles risquent sinon de se déboîter en cours de jeu et/ou de transport du système.
- Le climat, la corrosion ou une mauvaise utilisation risquent de provoquer la panne du système.
- La hauteur minimale d'utilisation est de 1,98 m (6' 6") jusqu'à la base du panneau.
- L'équipement est prévu pour une utilisation ludique à domicile seulement et NON PAS pour un jeu extrêmement compétitif.
- Lisez et comprenez l'étiquette d'avertissement fixée au poteau.
- L'étiquette se trouve à la page 15.
- La durée de vie de votre poteau de basket-ball dépend de bien des facteurs. Le climat, la position du poteau, son emplacement, son exposition à des agents corrosifs tels que des pesticides, des herbicides ou des sels sont tous importants.
- Pour toute assistance technique, contactez Huffey Sports.
- La supervision d'un adulte est recommandée pour le réglage de la hauteur.

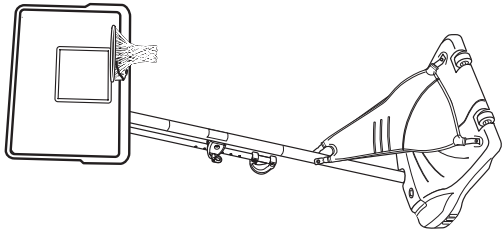
La plupart des blessures sont provoquées par une mauvaise utilisation et/ou le non respect des instructions. Faire preuve de prudence lors de l'utilisation de ce matériel.

Pour des informations complémentaires sur le montage, la position, l'utilisation et l'entretien corrects, rendez-vous au site Web de l'American Basketball Council au <http://www.smarthoops.com>.

TUFF STUFF® et les marques associées de Mattel, Inc. sont utilisées avec sa permission. Les produits Huffey ne sont nullement recommandés, avalisés ni agréés par Mattel, Inc. ou ses filiales.

AVIS AUX PERSONNES CHARGÉES DU MONTAGE

TOUS les systèmes de basket-ball Huffey Sports, y compris ceux utilisés en EXPOSITION, DOIVENT être assemblés et testés de sable ou d'eau, selon les instructions. Suivez ces instructions sous peine d'encourir des BLESSURES GRAVES. Il est INACCEPTABLE de composer un système de lestage de fortune.



OUTILS NECESSAIRES A L'INSTALLATION

- Deux personnes
- Mètre
- Planche (rebut)
- Clés: (2) 7/16", 1/2", 9/16", 3/4" ou petite ou grande clé réglable
- Lunettes de sécurité
- Chevalet de sciure ou table de soutien
- Echelle de 2,4 m (8 pieds)
- Tuyau d'arrosage ou sable (102 kg) (225 lb.)
- Marteau
- Ruban adhésif
- Tournevis cruciforme
- Ciseaux

Les logos de la NBA et d'équipe membre de la NBA, reproduits sur ce produit sont des marques de commerce et des dessins protégés par copyright et/ou d'autres formes de propriété intellectuelle qui constituent la propriété exclusive de NBA Properties, Inc. et des équipes membres de la NBA, respectives, et n'ont pas le droit d'être utilisés, en tout ou partie, sans l'autorisation écrite de NBA Properties, Inc.

AVERTISSEMENT

SUIVEZ CES AVERTISSEMENTS SOUS PEINE DE PROVOQUER DES BLESSURES GRAVES ET/OU DES DÉGÂTS MATÉRIELS.

- Le propriétaire du système doit s'assurer que tous les joueurs connaissent et suivent ces consignes d'utilisation sûre du système.*
- NE VOUS SUSPENDEZ PAS sur le carreau ou sur toute autre partie du système, y compris le panneau, les supports ou le filot. Durant le jeu, en particulier lorsque vous faites des smash, gardez le visage à l'écart du panneau, du carreau et du filot. Des blessures graves sont possibles si les dents ou le visage viennent à entrer en contact avec le panneau, le carreau ou le filot.
 - Ne glissez et ne montez pas sur le socle et/ou le poteau, ne les secouez pas et ne jetez pas dessus.
 - Une fois le montage terminé, remplissez complètement le système d'eau ou de sable et fixez-le au sol à l'aide du piquet. Ne laissez jamais le système à la verticale sans avoir lesté le socle, car il risquerait de se renverser et de causer des blessures.
 - Lorsque vous réglez la hauteur ou que vous déplacez le système, gardez les mains et les doigts à l'écart des pièces en mouvement.
 - Ne laissez pas des enfants déplacer ou régler le système.
 - Avant le jeu, retirez vos bijoux (bagues, montres, colliers, etc.). Ces objets risquent de se prendre dans le filot.
 - La surface sous le socle doit être lisse et sans gravier ou autres objets pointus. Les perforations causeront des fuites et risquent de faire basculer le système.
 - Maintenez les substances organiques à l'écart du socle du poteau. L'herbe, les déchets, etc. risquent de causer la corrosion et/ou la détérioration du système.
 - Vérifiez l'état du système (signes de corrosion comme rouille, piqûres, écaillage) et repeignez avec de la peinture émail pour extérieur. Si la rouille a pénétré en tout point de l'acier, remplacez immédiatement le poteau.
 - Vérifiez le système avant chaque utilisation (lest, visserie mal serrée, usure excessive et signes de corrosion) et réparez avant utilisation.
 - Vérifiez la stabilité du système avant chaque utilisation.
 - N'utilisez pas le système les jours de vent fort et/ou de tempête ; il risque de se renverser. Placez le système en position de stockage et/ou dans un endroit protégé du vent et à l'écart de biens personnels et/ou de fils suspendus.
 - Ne jouez jamais sur du matériel abîmé.
 - Pour les instructions d'installation et d'entretien, reportez-vous au guide fourni.
 - Lorsque vous déplacez le système, soyez prudent pour empêcher le mécanisme de se déséquilibrer.
 - Maintenez le poteau bouché à tout moment.
 - Ne laissez pas geler l'eau du socle. Lorsqu'il fait très froid, ajoutez de l'antigel ou du sable, ou videz complètement le socle et rangez-le. (N'utilisez pas de sel.)
 - Soyez extrêmement prudent si vous placez le système sur une décalivité. Le système risque de se renverser plus facilement.

POUR RÉGLER LE PANNEAU :

1. Tout en tenant la poignée, retirez la broche.
2. Montez ou abaissez le système élévateur jusqu'à la hauteur de votre choix.
3. Remettez la goupille à sa place en l'enfonçant à fond, pour bloquer le système à la hauteur désirée.

DEPLACEMENT DU SYSTEME

1. Réglez le panneau de basket-ball à la hauteur la plus basse.
2. Tout en tenant le poteau, tournez le système de basket-ball vers l'avant jusqu'à ce que les roues s'enclenchent sur le sol.
3. Amenez le système à l'endroit désiré.
4. Redressez délicatement le système de basket-ball en tournant.
5. Rattachez la fixation au sol et vérifiez la stabilité du système.

HUFFEY SPORTS

In the U.S.: 1-800-598-5224 and Canada: 1-800-284-8339 201241 2/99

Numéro d'appel gratuit du service après-vente. États-Unis et Canada uniquement: 1-800-284-8339
Numéro vert international (France, Suisse) : 00 800 555 85234

INSTRUCTIONS

IMPORTANT ! NOTEZ À LA PAGE 1 DE CE MANUEL LE NUMÉRO DE MODÈLE MENTIONNÉ SUR LE CARTON.

AVANT DE COMMENCER !

Pour garantir l'utilisation optimale du panneau, les composants du système élévateur et la visserie doivent être bien ajustés (serrés). À titre d'essai, insérez les gros boulons dans les gros trous des tubes du système élévateur, des supports du panneau et des plaques triangulaires. Basculez-les avec précaution en imprimant un mouvement circulaire pour éliminer l'excédent de peinture, si nécessaire.

1. Videz le réservoir par le dessous. Laissez le réservoir (1) retourné.
2. Enfilez l'axe de rotation (2) dans la roue (3), comme illustré. Fixez l'ensemble de la roue au réservoir (1) en tapotant sur la roue avec un marteau, jusqu'à ce qu'elle s'enclenche en position. Répétez l'opération de l'autre côté, puis remettez le réservoir à l'endroit (1) en procédant avec précaution.
3. Placez des repères sur les sections de poteau avec du ruban adhésif, comme illustré.
4. **IMPORTANT !** Centrez la fente d'alignement de la section de poteau centrale (5) sur un trou inférieur de la section de poteau supérieure (4), comme illustré. Tout en maintenant l'alignement, entrechoquez les sections de poteau supérieure (4) et centrale (5), comme illustré, jusqu'à ce qu'elles ne bougent plus vers le repère marqué avec le ruban adhésif. Redressez l'ensemble. **REMARQUE :** Les sections de poteau doivent se chevaucher sur 9 cm (3-1/2") minimum.
5. **IMPORTANT !** Centrez la fente d'alignement de la section de poteau inférieure (6) sur un trou inférieur de la section de poteau centrale (5), comme illustré au point 4. Tout en maintenant l'alignement, entrechoquez l'ensemble et la section inférieure (6), comme illustré, jusqu'à ce qu'ils ne bougent plus vers le repère marqué avec le ruban adhésif. **REMARQUE :** Les sections de poteau doivent se chevaucher sur 9 cm (3-1/2") minimum.
6. Enfilez la tige (7) dans les trous de la section de poteau inférieure (6) et dans le boulon à œil (8).
7. Insérez l'ensemble du poteau dans le réservoir, comme illustré.
8. Posez délicatement l'ensemble sur le côté. Fixez la base du poteau (6) au réservoir avec les rondelles (9 & 13), l'écrou (10) et la sangle de fixation (52), comme illustré. Redressez l'ensemble. **REMARQUE :** Évitez d'appuyer exagérément sur le poteau dans cette position. Il est recommandé de s'y prendre à deux pour cette procédure.
- IMPORTANT !** Ne serrez PAS trop.
9. Fixez les tubes (11) à la section de poteau inférieure (6), comme illustré. **AVERTISSEMENT :** Serrez le boulon (14) dans le contre-écrou (12) jusqu'à ce qu'il se trouve au même niveau que le bord extérieur du contre-écrou.
10. Posez délicatement l'ensemble sur le côté et fixez le tube (11) au réservoir (1), comme illustré. Serrez à fond. Faites de même de l'autre côté. **REMARQUE :** Évitez d'appuyer exagérément sur le poteau dans cette position. Il est recommandé de s'y prendre à deux pour cette procédure.
11. Installez le support du poteau (17) et le support de renforcement (37) à l'aide des boulons ordinaires (18), comme illustré. Serrez à fond les écrous à bride (16).
12. Attachez les cales d'espacement (22, 23) au support de poteau (17) avec les boulons (21), les rondelles (19) et les écrous (20), comme illustré. **IMPORTANT !** Serrez juste jusqu'à ce que les rondelles (19) cessent de tourner.
13. Attachez les protections (24) sur le support de poteau (17) à l'aide du boulon ordinaire (25) et de l'écrou (16), comme illustré. **IMPORTANT :** Durant le montage, enrroulez l'extrémité du cordon de la goupille de blocage (27) sur le boulon ordinaire (25). **REMARQUE :** Assemblez le cordon (27) et la goupille de blocage (26), comme illustré.
14. Collez le logo et l'étiquette d'échelle de hauteur (29) sur la tige d'ajustement (28), comme illustré. Attachez les pièces des poignées (32, 33) sur la tige d'ajustement (31) à l'aide du boulon ordinaire (30) et de l'écrou à bride (16), comme illustré. **IMPORTANT !** Les étiquettes doivent être appliquées le plus près possible des trous pour empêcher leur endommagement durant le réglage de la hauteur.
15. Insérez l'ensemble des barres dans le support du poteau, comme illustré. Bloquez le poteau en position à 3.05 m (10 pieds) à l'aide de la goupille (26).
16. Attachez les supports de panneau (34) au cadre du panneau à l'aide des boulons (21), des entretoises (36) et des écrous (20), comme illustré.

17. Montez les tubes du système d'élévation (40), comme illustré. **REMARQUE :** Testez l'ajustement des boulons dans les trous des supports (34) et basculez-les en tournant doucement pour retirer la peinture des trous si nécessaire. **IMPORTANT !** Toutes les pièces doivent être installées pour que ce mécanisme fonctionne sans risque et correctement.
18. Montez les tubes du système élévateur (43) sur les supports du panneau (34).
19. Appuyez le poteau sur le banc de sciage. Attachez le panneau à la section de poteau supérieure (4), comme illustré. Installez le capuchon du poteau (46). **REMARQUE :** Il est recommandé de s'y prendre à deux pour cette procédure. Soyez prudent, car le système élévateur est lourd.
20. Installez les tubes supérieurs du système élévateur (43) sur les plaques triangulaires (45), comme illustré. Installez la poignée sur les tubes inférieurs du système élévateur (40) en utilisant le boulon (47), les entretoises (44) et l'écrou (39), comme illustré. **REMARQUE :** Avant de passer à l'étape suivante, réglez le système réglable à 3,05 m.
21. Enfilez le boulon (47) dans le tube supérieur gauche du système élévateur (43), puis tendez le ressort (41) sur le boulon (47). Enfilez le boulon (47) dans le tube supérieur droit du système élévateur (43), puis fixez avec l'écrou (39).
AVERTISSEMENT : Protégez-vous les yeux lorsque vous installez des ressorts.
22. Redressez l'ensemble. Faites rouler l'ensemble jusqu'à la position désirée. Remplissez le réservoir d'eau (115 litres environ) ou de sable (113 kg environ) et installez le bouchon (28). Fixez l'ensemble au sol à l'aide de la sangle (29) et du piquet de fixation au sol (30). **IMPORTANT !** Ajoutez 7,6 litres (2 gallons) d'antigel non toxique en prévision de températures en dessous de 0.
AVERTISSEMENT : NE LAISSEZ PAS L'ENSEMBLE SANS SURVEILLANCE LORSQU'IL EST VIDE, CAR IL RISQUE DE BASCULER.
23. Tout en tenant la poignée, retirez la goupille (26).
AVERTISSEMENT : Ne confiez pas l'ajustement de la hauteur à des enfants.
24. Montez ou abaissez le système élévateur jusqu'à la hauteur de votre choix.
25. Remettez la goupille (26) à sa place en l'enfonçant à fond, pour bloquer le système à la hauteur désirée.
26. Collez l'étiquette d'échelle de hauteur et de transport (54) sur l'avant du poteau, comme illustré.
27. Installez la protection avant (35) sur les étais (11), comme illustré.
28. Faites une boucle avec l'attache à glissière (56) autour de l'étau (11) et de la protection (35). Tirez sur la partie plate de l'attache à glissière (56) pour la faire passer dans l'extrémité carrée jusqu'à ce qu'elle soit complètement tendue. **REMARQUE :** Les côtes sur l'attache à glissière (56) doivent se trouver à l'intérieur de la boucle lorsque vous enflez l'extrémité plate à travers l'extrémité carrée.
29. Une fois entièrement serrée aux 4 points indiqués, coupez l'excédent d'attache (56) avec les ciseaux.
AVERTISSEMENT : L'UTILISATION DE CE PRODUIT SANS L'INSTALLATION CORRECTE DES PINCES DU FILET OU EN L'ABSENCE DE CERTAINES PINCES EXPOSE LES JOUEURS À DES BLESSURES. VEILLEZ À SUIVRE SCRUPULEUSEMENT CES INSTRUCTIONS.
30. Installez les pinces de filet comme illustré. (Voir l'illustration)
31. Installez le filet comme illustré. (Voir l'illustration)

Légende Quantité No de réf. Description

1	1	206336	Réservoir
2	2	206330	Axe des roues, longueur 4-1/4
3	2	226401	Roue, 10 cm (noire)
4	1	904847	Section de poteau supérieure
5	1	908481	Section de poteau centrale
6	1	908487	Section de poteau inférieure
7	1	202820	Tige, D.E. 3/8 x longueur 4-3/4
8	1	202822	Boulon à oeillet, 3/8-16 x 3-3/4 (long.)
9	1	202821	Disque, diamètre 2-3/4
10	1	203063	Contre-écrou en nylon, 3/8-16
11	2	906410	Tube, 109 cm de long, plat aux extrémités
12	1	203220	Écrou, Ny-lock, 5/16-18
13	7	203218	Rondelle plate 5/16
14	1	201625	Boulon, Dicromate Jaune, tête à six pans, 5/16-18 x 3.60 (long.)
15	2	203798	Boulon, bride à 6 pans, 5/16-18 x 1-1/2 (long.)
16	9	203100	Écrou à bride à 6 pans, 5/16-18
17	1	204832	Support de poteau
18	2	203231	Boulon ordinaire, 5/16-18 x 3-1/2 (long.)
19	4	203232	Rondelle, métallique, 19 mm
20	4	201124	Contre-écrou, six pans, 3/8-16
21	4	206360	Boulon, tête à six pans, 3/8-16 x 2-5/8 (long.)
22	2	204858	Entretoise, Biscuit, plastique
23	2	204857	Entretoise, métallique, 12 mm D.E. x 1,44 (long.)
24	2	204859	Gaine, ressort
25	1	203038	Boulon ordinaire, 5/16-18 x 2-3/4 (long.)
26	1	204850	Goupille, blocage
27	1	204853	Cordon, torsadé noir
28	1	904833	Tige d'ajustement en hauteur
29	1	204872	Étiquette, échelle de hauteur
30	2	203103	Boulon ordinaire, 5/16-18 x 2 long.

Légende Quantité No de réf. Description

31	1	204803	Vis cruciforme
32	1	204855	Poignée, gauche
33	1	204856	Poignée, droite
34	2	900103	Support de panneau
35	1	203255	Couvercle avant
36	2	200874	Entretoise, D.I. .402 x D.E. 0,50 x 1,5 (long.)
37	1	206990	Support de renforcement
38	4	201681	Entretoise, plastique, D.I. 0,530 x 0,875 (long.)
39	7	206340	Contre-écrou, six pans, 1/2-13
40	2	908408	Tube du système élévateur, inférieur et long
41	1	204838	Ressort
42	1		Cerceau
43	2	904820	Tube du système élévateur, supérieur et court
44	2	201682	Entretoise, D.I. 0,530 x 1,875 (long.)
45	2	900867	Plaque triangulaire (noire)
46	1	202814	Capuchon, dessus du poteau
47	6	206244	Boulon, 6 pans, 1/2-13 x 8 (long)
48	1	204870	Boulon, 6 pans, 1/2-13 x 3-1/2 (long)
49	2	203617	Bouchon
50	12	201219	Pince, fixation pour filet
51	1		Filet
52	1	201568	l'ancre sangle
53	1	203124	Piquet de fixation au sol
54	1	201252	Étiquette, échelle de hauteur et déplacement
55	4*	205528	Boulon, bride, six pans, 5/16-18 x 1 (long.)
56	4*	203257	Attache à glissière
57	4	201683	Entretoise, 530 D.I. x 1,5 (long.)

* IL EST POSSIBLE QUE VOUS AYEZ D'AUTRES PIÈCES AVEC CE MODÈLE.

!Usted es importante para Huffly!

Agradecemos que haya comprado uno de nuestros muchos productos de calidad. Estamos seguros que quedará muy satisfecho con su selección. Aunque hemos tenido un gran cuidado y puesto un gran esfuerzo en la fabricación de cada uno de nuestros productos, pueden ocurrir problemas. Para asegurar la resolución rápida y adecuada de cualquier problema, o para recibir respuesta a cualquier pregunta, por favor póngase en contacto con el Centro de Servicio al Cliente. El servicio será más rápido si proporciona su número de modelo (se encuentra en la caja). Por favor escriba su número de modelo en el espacio que se encuentra arriba.

⚠ INSTRUCCIONES DE SEGURIDAD ⚠

SI NO SE SIGUIEN ESTAS INSTRUCCIONES DE SEGURIDAD SE PUEDE OCASIONAR UNA LESIÓN GRAVE, DAÑOS A LA PROPIEDAD Y ANULACIÓN DE LA GARANTÍA.

El propietario debe asegurarse que todos los jugadores sepan y obedezcan estas reglas para la operación segura de la unidad.

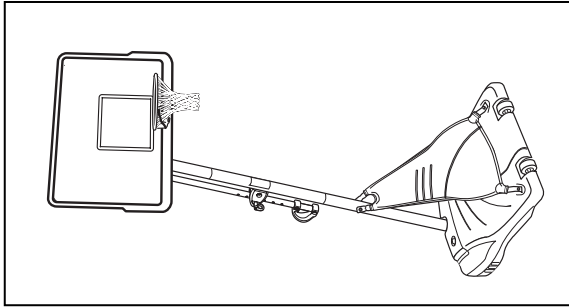
Para asegurar su seguridad, no intente montar este sistema sin seguir las instrucciones cuidadosamente. Revise toda la caja y el interior del material de embalaje para ver si hay partes. Antes de comenzar el montaje, lea las instrucciones e identifique las partes usando el identificador de la tornillería y la lista de partes que vienen en este documento. El montaje completo y el uso y la supervisión adecuados son esenciales para la operación correcta y para reducir el riesgo de sufrir accidentes o lesiones. Existe una alta probabilidad de sufrir lesiones graves si este sistema no se instala, mantiene y opera adecuadamente.

- Tenga mucho cuidado si utiliza una escalera durante el montaje.
- Se recomienda que dos (2) personas realicen esta operación.
- Revise regularmente la base para detectar si tiene fugas. Las fugas lentas podrían causar que el sistema se ledeara inesperadamente.
- Ajuste adecuadamente las secciones del poste (si es aplicable). Si no lo hace, las secciones del poste se podrían separar durante el juego y/o el transporte del sistema.
- El clima, la corrosión y el uso inadecuado podrían ocasionar la falla del sistema.
- La altura mínima de operación es de 1,98 m (6'6") hasta la parte inferior del respaldo.
- Este equipo está diseñado solamente para uso recreativo en el hogar, NO para juego competitivo excesivo.
- Lea y entienda la etiqueta de advertencia adherida en el poste. La etiqueta se muestra en la página 8.
- La vida útil de su poste de baloncesto depende de muchas condiciones. El clima, la colocación del poste, la ubicación del poste y la exposición a sustancias corrosivas tales como pesticidas, herbicidas o sales son todas condiciones importantes.
- Si requiere asistencia técnica, comuníquese con Huffly Sports.
- Se recomienda la supervisión de un adulto cuando se ajuste la altura.

La mayoría de las lesiones son ocasionadas por el mal uso y/o por no seguir las instrucciones. Tenga cuidado cuando use esta unidad.

Para obtener más información sobre el montaje, ubicación, uso y mantenimiento adecuados visite el sitio en la red de The American Basketball Council en <http://www.smarthoops.com>

Las identificaciones de la NBA y de los equipos individuales miembros de la NBA que se reproducen en este producto, son marcas comerciales y diseños protegidos por derechos de autor y/u otras formas de propiedad intelectual. Estas identificaciones son propiedad exclusiva de NBA Properties, Inc. y de los equipos respectivos miembros de la NBA, y no se pueden usar, total ni parcialmente, sin el consentimiento por escrito de NBA Properties, Inc.



AVISO PARA LAS PERSONAS QUE VAN A MONTAR EL SISTEMA

TODOS los sistemas de baloncesto de Huffly Sports, inclusive los que se usan para EXHIBICIÓN, SE DEBEN montar y estabilizar con arena y o agua de acuerdo con las instrucciones. Si no se siguen las instrucciones se podría ocasionar una LESIÓN SERIA. NO es aceptable improvisar un sistema de compensación de peso.

HERRAMIENTAS NECESARIAS PARA LA INSTALACIÓN:

- Dos personas
- Tablero de madera (sobrante)
- Cinta para medir
- Escalera de 2.4 m (8 pies)
- Cinta
- Manguera de jardín o 163 kg. (360 libras) de arena
- Martillo
- Llaves: (dos) 1/2" (Una) 9/16", o llaves ajustables grandes y pequeñas (Se recomienda un receptáculo profundo de 9/16" con extensión)
- Caballete o mesa de apoyo

⚠ ADVERTENCIA ⚠

SI NO SE OBSERVAN ESTAS ADVERTENCIAS SE PUEDEN OCASIONAR LESIONES GRAVES Y/O DAÑOS MATERIALES

El propietario debe asegurarse de que todos los jugadores conozcan y sigan estas reglas para la operación segura del sistema.

- NO SE CUELQUE del borde ni de ninguna parte del sistema, inclusive el respaldo, abrazaderas de soporte o red.
- Durante el juego, especialmente cuando se realizan actividades de disparo de pelota, el jugador debe mantener la cara alejada del respaldo, borde y red. Si los dientes o la cara entran en contacto con el respaldo, el borde o la red se podría ocasionar una lesión grave.
- No se deslice, suba, mueva ni juegue sobre la base y/o en el poste.
- Después de terminar el montaje, llene completamente el sistema con agua o arena y fíjelo al piso. Nunca deje el sistema en una posición vertical con la base vacía, ya que esto podría ocasionar lesiones.
- Cuando ajuste la altura o mueva el sistema, mantenga las manos y los dedos alejados de las partes móviles.
- No permita que los niños muevan o ajusten el sistema.
- Durante el juego no use bisutería (anillos, relojes, collares, etc.). Los objetos pueden enredarse en la red.
- La superficie debajo de la base debe estar lisa y no tener grava ni otros objetos filosos. Las perforaciones ocasionan fugas y éstas podrían ocasionar que el sistema se lede.
- Mantenga el material orgánico alejado de la base del poste. El césped, desperdicios, etc. podrían causar corrosión y/o deterioro.
- Verifique que el sistema del poste no esté corroído (oxidación, corrosión, asfistamiento) y si es así, reemplácelo a la mayor brevedad posible. Si el sistema del poste oxidado penetró en el acero en algún punto, reemplácelo inmediatamente el poste.
- Antes de usar el sistema verifique que tenga el balasto adecuado, que la tornillería no esté floja y que no esté excesivamente desgastado ni tenga signos de corrosión. Si presenta alguna de estas condiciones réparalo antes de usarlo.
- Revise la estabilidad del sistema antes de usarlo.
- No use el sistema durante condiciones de mucho viento y/o condiciones climáticas severas, el sistema se puede ledear. Coloque el sistema en posición de almacenamiento y/o en un área protegida de viento y aléjelo de la propiedad personal o cables suspendidos.
- Nunca juegue en las partes móviles.
- Siempre mantenga el sistema en posición de almacenamiento y mantenimiento adecuados para ver la instalación y mantenimiento adecuados.
- Cuando mueva el sistema tenga cuidado de que el mecanismo no se desplace.
- Siempre mantenga tapada la sección superior del poste. No permita que el agua del tanque se congele. En condiciones climáticas bajo cero añada un anticongelante no tóxico, arena, o vacíe completamente el tanque y almacene el sistema. (No use sal.)
- Tenga mucho cuidado si coloca el sistema en una superficie con pendiente. El sistema se puede ledear más fácilmente.

TUFF STUFF® y las marcas comerciales asociadas son propiedad de Mattel, Inc. y se usan con su permiso. Mattel, Inc. y todas sus compañías afiliadas o subsidiarias de ninguna forma patrocinan, aprueban ni autorizan los productos Huffly.

INSTRUCCIONES

¡IMPORTANTE! ANOTE EN LA PÁGINA 1 DE ESTE MANUAL DEL PROPIETARIO EL NÚMERO DE MODELO QUE APARECE EN LA CAJA.

¡ANTES DE COMENZAR!

Para asegurar el óptimo rendimiento del sistema del respaldo en el juego, se requiere un ajuste de tolerancia estrecha entre los componentes del elevador y el herraje. Pruebe el ajuste de los pernos grandes en los orificios grandes de los tubos elevadores, soportes del respaldo y placas triangulares. Cuidadosamente muévalos en círculos para eliminar cualquier exceso de pintura, si es necesario.

1. Saque todas las piezas que se encuentran debajo del tanque. Mantenga el tanque (1) con la parte de abajo hacia arriba.
2. Inserte la varilla del eje (2) a través de la rueda (3), como se muestra. Fije el conjunto de la rueda en el tanque (1) golpeando la rueda hacia abajo con un martillo hasta que quede conectada a presión en su lugar. Repita el procedimiento en el lado opuesto, luego con cuidado voltee el tanque (1).
3. Marque con cinta las secciones del poste, como se muestra.
4. ¡IMPORTANTE! Centre la ranura de alineación de la sección media del poste (5) en el orificio inferior de la sección superior del poste (4), como se muestra. Mientras mantiene la alineación, golpee la sección superior (4) y la sección media (5) del poste entre sí, como se muestra, hasta que ya no se muevan hacia la marca de cinta de referencia. Coloque el conjunto en posición vertical. NOTA: Las secciones del poste deben tener un traslape mínimo de 3-1/2" (9 cm).
5. ¡IMPORTANTE! Centre la ranura de alineación de la sección inferior del poste (6) en el orificio inferior de la sección media del poste (5), como se hizo en el paso 4. Mientras mantiene la alineación, golpee entre sí el conjunto y la sección inferior (6), como se muestra, hasta que ya no se muevan hacia la marca de cinta de referencia. NOTA: Las secciones del poste deben tener un traslape mínimo de 3-1/2" (9 cm).
6. Instale la varilla (7) a través de los orificios que se encuentran en la sección inferior del poste (6) y del perno de anilla (8).
7. Introduzca el conjunto del poste en el conjunto del tanque como se muestra.
8. Cuidadosamente coloque la unidad sobre su costado. Fije la parte inferior del poste (6) en el tanque con arandelas (9 y 13), la tuerca (10) y la correa del dispositivo de anclaje (52) como se muestra. Coloque la unidad en posición vertical. NOTA: Cuando el conjunto del poste se encuentre en esta posición evite aplicarle presión innecesaria. Se recomienda que dos personas realicen este procedimiento. ¡IMPORTANTE! NO apriete excesivamente.
9. Fije los tubos del puntal (11) en la sección inferior del poste (6) como se muestra.
ADVERTENCIA: Apriete el perno (14) en la contratuerca (12) hasta que quede al ras (uniforme) con el borde exterior de la contratuerca.
10. Cuidadosamente coloque la unidad sobre su costado y fije el puntal (11) en el tanque (1) como se muestra. Apriete completamente. Repita el procedimiento en el lado opuesto. NOTA: Cuando el conjunto del poste se encuentre en esta posición evite aplicarle presión innecesaria. Se recomienda que dos personas realicen este procedimiento.
11. Instale el soporte de montaje del poste (17) y el soporte de refuerzo (37) con los pernos cabeza de carro (18) como se muestra. Apriete completamente las tuercas de brida (16).
12. Conecte los espaciadores (22, 23) en el soporte de montaje del poste (17) usando pernos (21), arandelas (19) y tuercas (20) como se muestra. ¡IMPORTANTE! Apriete lo suficiente para que las arandelas (19) no se muevan.
13. Coloque las cubiertas (24) en el soporte de montaje del poste (17) con un perno cabeza de carro (25) y una tuerca (16) como se muestra. IMPORTANTE: Inserte el extremo del acollador del pasador (27) sobre el perno cabeza de carro (25) durante este montaje. NOTA: Monte el acollador (27) en el perno de fijación (26) como se muestra.
14. Aplique el logotipo y las etiquetas indicadoras de altura (29) en la varilla de ajuste (28) como se muestra. Conecte las piezas de la manija (32, 33) a la varilla de ajuste con un tornillo (31), perno cabeza de carro (30) y tuerca de brida (16) como se muestra. ¡IMPORTANTE! Las etiquetas indicadoras se deben aplicar tan cerca de los orificios como sea posible para evitar que sean dañadas durante los ajustes de altura.
15. Introduzca el conjunto de la manija a través del conjunto de montaje del poste, como se muestra. Fije el conjunto del poste en su lugar en la marca de los 10' (3.05 m) con el pasador (26).
16. Conecte los soportes del respaldo (34) en el bastidor del respaldo usando pernos (21), espaciadores (36) y tuercas (20) como se muestra.
17. Monte los tubos elevadores inferiores (40) como se muestra. NOTA: Coloque tentativamente los pernos en los orificios de los soportes (34) y muévalos cuidadosamente con un movimiento circular para quitar la pintura de los orificios si es necesario. ¡IMPORTANTE! Es necesario instalar todas las piezas para que este mecanismo funcione de manera segura y adecuada.
18. Monte los tubos elevadores superiores (43) en los soportes del respaldo (34).
19. Apoye el poste en un caballete de aserrar. Conecte el conjunto del respaldo en la sección superior del poste (4) como se muestra. Instale la tapa del poste (46). NOTA: Se recomienda que dos personas realicen

este paso. Tenga cuidado; el conjunto del elevador es pesado.

20. Instale los tubos elevadores superiores (43) en las placas triangulares (45) como se muestra. Instale el conjunto de la manija en los tubos elevadores inferiores (40) usando el perno (47), espaciadores (44) y la tuerca (39) como se muestra. NOTA: Antes de continuar con el siguiente paso, coloque el conjunto del sistema ajustable a una altura de 3,05 m (10').
21. Introduzca el perno (47) a través del tubo elevador superior del lado izquierdo (43), luego estire el resorte (41) hasta el perno (47). Introduzca el perno (47) a través del tubo elevador superior del lado derecho (43) y asegure con la tuerca (39).
ADVERTENCIA: cuando instale los resortes utilice protectores oculares.
22. Coloque la unidad en posición vertical. Ruede el conjunto completo a la posición deseada. Llene el tanque con agua (aproximadamente 30 galones (115 litros)) o con arena (aproximadamente 255 libras (113 kg)) y conecte a presión la tapa (28) en su lugar. Asegure el conjunto en el piso usando la correa del dispositivo de anclaje (29) y la estaca de amarre (30). ¡IMPORTANTE! Añada dos galones (7,6 litros) de anticongelante no tóxico si el clima alcanza temperaturas de congelamiento.

ADVERTENCIA: NO DEJE EL CONJUNTO DESATENDIDO CUANDO ESTÉ VACÍO, YA QUE SE PUEDE LADEAR.

23. Mientras sujeta la manija, quite el pasador (26).
ADVERTENCIA: No permita que los niños ajusten la altura.
24. Mueva el elevador hacia arriba o hacia abajo a la altura deseada.
25. Vuelva a colocar el pasador (26) a toda su longitud para fijar el sistema a la altura deseada.
26. Aplique la etiqueta de la altura y de transporte (54) en la parte frontal del poste, como se muestra.
27. Instale la cubierta frontal (35) en los puntales (11) como se muestra.
28. Coloque el amarre de cremallera (56) alrededor del puntal (11) y la cubierta (35). Pase el extremo plano del amarre de cremallera (56) a través del extremo cuadrado del amarre de cremallera hasta que esté completamente apretado. NOTA: Los bordes del amarre de cremallera (56) deben estar en el interior del bucle cuando se hale el extremo plano a través del extremo cuadrado.
29. Una vez totalmente asegurado en las cuatro áreas ilustradas, recorte el exceso del amarre de cremallera (56) con unas tijeras.
ADVERTENCIA: EL USO DE ESTE PRODUCTO SIN LA INSTALACIÓN ADECUADA DE LOS SUJETADORES SMART CLIP, O LA FALTA DE ELLOS PUEDE DAR COMO RESULTADO DAÑOS CORPORALES. ASEGÚRESE DE SEGUIR CUIDADOSAMENTE LAS INSTRUCCIONES.
30. Instale los sujetadores de la red como se muestra. (Vea la ilustración)
31. Instale la red como se muestra. (Vea la ilustración)

Artículo	Cant.	Pieza N.º	Descripción
1	1	206336	Tanque
2	2	206330	Eje de la rueda, 4-1/4 de longitud
3	2	226401	Rueda, 4" (10,2 cm) (negra)
4	1	904847	Sección superior del poste
5	1	908481	Sección media del poste
6	1	908487	Sección inferior del poste
7	1	202820	Varilla, 3/8 D.E. x 4-3/4 de longitud
8	1	202822	Perno de anilla, 3/8- 16 x 3 -3/4 de longitud
9	1	202821	Disco, 2 -3/4 de diámetro
10	1	203063	Tuerca de nilón del inserto de seguridad, 3/8-16
11	2	906410	Puntal, 43" (109.2 cm) de longitud, con extremos planos
12	1	203220	Tuerca, Ny-lock, 5/16-18
13	7	203218	Arandela, 5/16 plana
14	1	201625	Perno, Dichromate amarillo, cabeza hexagonal, 5/16-18 x 3-3/4 de longitud
15	2	203798	Perno, brida hexagonal, 5/16-18 x 1-1/2 de longitud
16	9	203100	Tuerca, brida hexagonal, 5/16-18
17	1	204832	Soporte, montaje del poste
18	2	203231	Perno cabeza de carro, 5/16-18 x 3-1/2 de longitud
19	4	203232	Arandela de metal, 3/4" D.E.
20	4	201124	Contratuerca, cabeza hexagonal, 3/8-16
21	4	206360	Perno, cabeza hexagonal, 3/8-16 x 2-5/8 de longitud
22	2	204858	Espaciador, oblongo, plástico
23	2	204857	Espaciador, de metal, 1/2" de D.E. x 1.44 de largo
24	2	204859	Cubierta, resorte
25	1	203038	Perno cabeza de carro, 5/16-18 x 2-3/4 de longitud
26	1	204850	Perno de fijación
27	1	204853	Acollador, espiral negro
28	1	904833	Varilla de ajuste de la altura
29	1	204872	Etiqueta, indicadora de altura
30	2	203103	Perno cabeza de carro, 5/16-18 x 2 de longitud

Artículo	Cant.	Pieza N.º	Descripción
31	1	204803	Tornillo, cabeza Phillips
32	1	204855	Manija izquierda
33	1	204856	Manija derecha
34	2	900103	Soporte del tablero
35	1	203255	Cubierta frontal
36	2	200874	Espaciador, acero, 0,402 D.I. x 0,50 D.E. x 1,5 de longitud
37	1	206990	Soporte de refuerzo
38	4	201681	Espaciador, plástico, 0,530 D.I. x 0,875 de longitud
39	7	206340	Contratuerca, cabeza hexagonal, 1/2-13
40	2	908408	Tubo elevador, inferior (largo)
41	1	204838	Resorte
42	1		Borde
43	2	904820	Tubo elevador, superior (corto)
44	2	201682	Espaciador 0,530 D.I. x 1,875 de longitud
45	2	900867	Placa triangular, (negra)
46	1	202814	Tapa, parte superior del poste
47	6	206244	Perno hexagonal 1/2-13 x 8 de longitud
48	1	204870	Perno hexagonal 1/2-13 x 3- 1/2 de longitud
49	2	203617	Tapa
50	12	201219	Sujetador de la red, Smart Clip
51	1		Red
52	1	201568	la correa del ancla
53	1	203124	Estaca, amarre
54	1	201252	Etiqueta, ajuste de la altura y de movimiento
55	4*	205528	Perno, brida hexagonal, 5/16-18 x 1 de longitud
56	4*	203257	Amarre de cremallera
57	4	201683	Espaciador, 530 I.D. x1,5 de longitud

* PUEDE HABER PIEZAS ADICIONALES EN ESTE MODELO.

NOTIEREN SIE SICH IHRE MODELL NUMMER:

Huffy steht zur Qualität seiner Produkte!

Wir freuen uns, daß Sie eines unserer ausgezeichneten Produkte gewählt haben und sind zuversichtlich, daß Sie mit diesem Kauf sehr zufrieden sein werden. Obwohl unsere Produkte mit der größten Sorgfalt hergestellt werden, können bisweilen Probleme auftreten. Bitte wenden Sie sich in diesen Fällen an unser Kundendienstzentrum, damit wir Ihr Problem schnell und richtig beheben oder Ihre Fragen beantworten können. Wir können Ihnen schneller helfen, wenn Sie die Modellnummer griffbereit haben (siehe Kartonaufdruck). Bitte tragen Sie diese Nummer im dafür vorgesehenen Feld weiter oben ein.

⚠️ SICHERHEITSHINWEISE ⚠️

EIN MISACHTEN DIESER SICHERHEITSHINWEISE KANN SCHWERE VERLETZUNGEN ODER SACHSCHÄDEN ZUR FOLGE HABEN UND MÄCHT DIE GARANTIEERKLÄRUNG UNWIRKSAM.

Der Besitzer muß gewährleisten, daß alle Spieler mit den Vorschriften für eine sichere Bedienung dieser Vorrichtung vertraut sind und diese beachten.

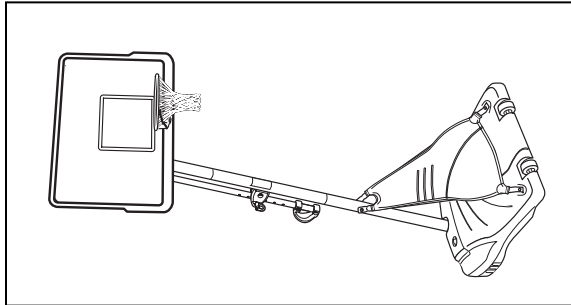
Aus Sicherheitsgründen sollte nicht versucht werden, dieses System ohne sorgfältige Beachtung der Anleitung zusammenzubauen. Den ganzen Karton und alle Verpackungsmaterialien nach Teilen überprüfen. Vor Beginn der Montage die Anleitung durchlesen und die einzelnen Teile anhand des Teileschlüssels und der Teildarstellung in diesem Dokument bestimmen. Eine vorschriftsmäßige und vollständige Montage, Benutzung und Aufsicht sind für den richtigen Betrieb und zur Reduzierung des Unfall- oder Verletzungsrisikos absolut notwendig. Bei unsachgemäßer Installation und Instandhaltung und bei einem nicht ordnungsgemäßen Betrieb besteht eine hohe Wahrscheinlichkeit schwerer Verletzungen.

- Bei Gebrauch einer Leiter während des Zusammenbaus extrem vorsichtig vorgehen.
- Diese Arbeit sollte von zwei (2) Personen ausgeführt werden.
- Den Sockel regelmäßig auf Leckstellen untersuchen. Langsam austretende Füllmittel können ein unerwartetes Umkippen des Systems verursachen.
- Die einzelnen Stangenteile richtig zusammenfügen (falls anwendbar). Andernfalls können sich die Stangenteile beim Spielbetrieb und/oder während des Transports des Systems voneinander lösen.
- Klimatische Bedingungen, Korrosion oder Fehlgebrauch kann zu Systemdefekten führen.
- Die Mindestspielhöhe beträgt 1,98 m (6,6 Fuß) bis zum unteren Rand der Korbwand.
- Diese Vorrichtung ist nur für den Freizeitgebrauch zu Hause, NICHT aber für ein übermäßig wettkampfbetontes Spiel vorgesehen.
- Den an der Stange angebrachten Wärmekleber gründlich lesen. Eine Abbildung dieses Aufklebers befindet sich auf Seite 21.
- Die Lebensdauer Ihrer Basketballstange hängt von zahlreichen äußeren Umständen ab. Klimabedingungen, Platzierung und Aufstellort der Stange, Angriffe durch korrodierende Substanzen wie Ungeziefer- und Pflanzvernichtungsmittel oder Salz – all das sind wichtige Faktoren.
- Technische Unterstützung kann direkt von Huffly Sports angefordert werden.
- Höhenverstellungen sollten von Erwachsenen beaufsichtigt werden.

Die meisten Verletzungen werden durch einen unschriftsmäßigen Gebrauch und/oder ein Missachten der Sicherheitshinweise verursacht. Beim Gebrauch dieser Vorrichtung Vorsicht walten lassen.

Weitere Informationen über Zusammenbau, Aufstellung, richtige Verwendung und Wartung sind von der Webseite des „American Basketball Council“ unter der Adresse <http://www.smarttoops.com> zu beziehen.

Die auf diesem Produkt reproduzierten Erkennungszeichen der NBA und der einzelnen NBA-Mitgliedschaften sind Warenzeichen und urheberrechtlich geschützte Designs und/oder andere Formen geistigen Eigentums, die ausschließliches Eigentum von NBA Properties, Inc. und der jeweiligen NBA-Mitgliedschaften sind, und die weder als Ganzes noch zum Teil ohne die schriftliche Einwilligung von NBA Properties, Inc., verwendet werden dürfen.



HINWEIS AN DAS MONTAGEPERSONAL

ALLE Basketballsysteme von Huffly Sports, einschließlich der zu Demonstrationszwecken benutzten Systeme, müssen gemäß den Montageanleitungen zusammengebaut und mit Sand oder Wasser beschwert werden. Ein Missachten dieser Anleitungen kann **SCHWERE VERLETZUNGEN** zur Folge haben. Zum Beschweren darf **NICHT** zu irgendwelchen Notbehelfsmaßnahmen gegriffen werden.

VERFAHREN ZUR KORBWANDEINSTELLUNG:

1. Bei festgehaltenem Griff den Stift herausziehen.
2. Die Verlängerungsvorrichtung bis zur gewünschten Höhe nach oben oder unten verschieben.
3. Den Stift zum Verriegeln des Systems auf der gewünschten Höhe ganz hineinschieben.

TRANSPORT DES SYSTEMS

1. Die Basketballrückwand auf die unterste Position einstellen.
2. Die Stange festhalten; zur selben Zeit das Basketballsystem nach vorne drehen, bis die Räder den Boden berühren.
3. Das Basketballsystem zum gewünschten Aufstellort fahren.
4. Das Basketballsystem vorsichtig in eine aufrechte Position drehen.
5. Die Bodensperre wieder anbringen, und eine Stabilitätsprüfung für das System durchführen.

TUFF STUFF® und die damit verbundenen Warenzeichen sind Eigentum von Mattel, Inc., und werden mit deren Genehmigung verwendet. Huffly-Produkte werden von Mattel oder deren verbundene oder Tochtergesellschaften in keiner Weise gesponsort, unterstützt oder autorisiert.

⚠️ WARNUNG ⚠️

EIN MISACHTEN DIESER WARNUNG KANN ZU SCHWEREN VERLETZUNGEN UND/ODER SACHSCHÄDEN FÜHREN UND MÄCHT DIE GARANTIE UNWIRKSAM.
Der Eigentümer muß sicherstellen, daß alle Spieler diese Regeln für einen sicheren Betrieb des Systems kennen und befolgen.

- NICHT am Korbwand oder irgendeinem anderen Teil des Systems, einschl. Korbwand, Stützstreben oder Netz HÄNGEN.
- Während des Spielbetriebs, besonders bei Slam-Dunk-Manövern, müssen die Spieler ihr Gesicht von Korbwand, Korbwand und Netz fernhalten. Der Kontakt von Zähnen/Gesicht mit der Korbwand, dem Korbwand oder dem Netz kann schwere Verletzungen zur Folge haben.
- Nicht auf dem Sockel und/oder der Stange herumrutschen, klatschen, auf dem Sockel herumspielen.
- Nicht auf dem Sockel stehen, auf dem Sockel mit Wasser oder Sand füllen und im Boden verankern. Das System niemals in aufrechter Position stehen lassen, ohne den Sockel zu beschweren, da es andernfalls umkippen und Verletzungen verursachen kann.
- Beim Einstellen der Höhe oder beim Transport des Systems Hände und Finger von beweglichen Teilen fernhalten.
- Kindern sollte das Verschieben oder Einstellen des Systems nicht gestattet werden.
- Beim Spielen keinen Schmutz (Ringe, Armbanduhr, Halsketten usw.) tragen. Gegenstände dieser Art können sich im Netz verfangen.
- Bereiche unter dem Sockel muß glatt und frei von Kies oder anderen schabkräftigen Gegenständen sein. Löcher können zu Lecks und somit zu einem Umkippen des Systems führen.
- Organische Materialien vom Stangensockel fernhalten. Gras, Abfälle, usw. können Korrosion und/oder Abbauerscheinungen verursachen.
- Das Stangensystem auf Anzeichen von Korrosion (Rost, Narbenbildung, Abblättern) untersuchen und mit Emalifarbare neu lackieren. Wenn sich Rost an irgendeiner Stelle durch den Stahl durchgefressen hat, ist die Stange sofort auszutauschen.
- Das System vor jeder Benutzung auf den richtigen Ballast, lose Befestigungsteile, übermäßige Abnutzungerscheinungen und Korrosion untersuchen; vor jedem Einsatz entsprechende Korrekturmaßnahmen bzw. Reparaturen durchführen.
- Die Stabilität des System vor jedem Gebrauch überprüfen.
- Das System nicht bei windigen und/oder unwirtschaftlichen Witterungsverhältnissen benutzen, da es unter diesen Umständen umkippen kann. Das System in die Lagerposition versetzen und/oder in einen windgeschützten Bereich bringen, an dem es keine Sachschäden verursachen kann bzw. wo keine Überleitungen vorhanden sind.
- Niemals an bzw. mit einer beschädigten Ausrüstung spielen.
- Die ordnungsgemäße Installation und Wartung ist dem Benutzer anzuempfehlen.
- Bei Transport des Systems darauf achten, daß sich der Mechanismus nicht verschiebt.
- Das obere Stangeneude muß jederzeit mit einer Kappe abgedeckt sein.
- Das Wasser im Tank darf keinesfalls gefrieren. Bei Temperaturen unter dem Nullpunkt ungiftiges Gefrierschutzmittel oder Sand hinzuliegen oder den Tank völlig entleeren und lagern. (Kein Salz verwenden.)
- Beim Aufstellen des Systems auf einer geeigneten Fläche mit großer Vorsicht vorgehen. Das System kann unter diesen Umständen leichter umkippen.

GEBRAUCHSANLEITUNG

WICHTIG! NOTIEREN SIE SICH DIE MODELLNUMMER AUS DEM KÄSTCHEN AUF SEITE 1 DIESES BENUTZERHANDBUCHS

VORBEREITENDE MASSNAHMEN

Um sicherzustellen, dass das Korbwandsystem optimal für den Spielbetrieb geeignet ist, müssen die Komponenten der Verlängerungsvorrichtung und die verschiedenen Befestigungsteile fest miteinander verschraubt werden. Große Schrauben zur Probe in die großen Löcher der Verlängerungsrohre, Korbwandklammern und Dreiecksplatte stecken und diese vorsichtig in einer Kreisbewegung hin- und herbewegen, um eventuelle Farbrückstände aus den Bohrungen zu entfernen.

1. Den Tank von unten völlig entleeren. Die Unterseite des Tanks (1) muss nach oben zeigen.
2. Die Achsenstange (2) wie gezeigt durch das Rad (3) stecken. Mit einem Hammer gegen die Radbaugruppe klopfen, damit diese am Tank (1) einrastet. Dieses Verfahren auf der gegenüberliegenden Seite wiederholen. Dann den Tank (1) vorsichtig umdrehen.
3. Die Stangenteile wie gezeigt mit Klebeband markieren.
4. WICHTIG! Den zur leichteren Ausrichtung vorgesehenen Schlitz am mittleren Stangenteil (5) wie gezeigt in einem tieferen Loch des oberen Stangenteils (4) zentrieren. Unter Beibehaltung der vorgenommenen Ausrichtung das obere (4) und mittlere Stangenteil (5) wie gezeigt zusammenstauchen, bis sie sich nicht mehr auf die mit Klebeband markierte Stelle zu bewegen. Den Stangenaufbau aufrichten. HINWEIS: Die Stangenteile müssen einander um mindestens 9 cm (3 ½ Zoll) überlappen.
5. WICHTIG! Den zur leichteren Ausrichtung vorgesehenen Schlitz am unteren Stangenteil (6) wie in Schritt 4 in einem tieferen Loch des mittleren Stangenteils (5) zentrieren. Unter Beibehaltung der vorgenommenen Ausrichtung den Stangenaufbau und das untere Stangenteil (6) wie gezeigt zusammenstauchen, bis sie sich nicht mehr auf die mit Klebeband markierte Stelle zu bewegen. HINWEIS: Die Stangenteile müssen einander um mindestens 9 cm (3 ½ Zoll) überlappen.
6. Die Stange (7) durch die Löcher im unteren Stangenteil (6) und die Einschrauböse (8) stecken.
7. Den Stangenaufbau wie gezeigt in die Tankbaugruppe stecken.
8. Die Vorrichtung vorsichtig auf ihre Seite legen. Das untere Stangenende (6) mit Unterlegscheiben (9 u. 13), Mutter (10) und Ankerriemen (52) wie gezeigt befestigen. Die Vorrichtung aufrichten. HINWEIS: Den Stangenaufbau in dieser Position keinem unnötigen Druck aussetzen. Dieses Verfahren sollte von zwei Personen ausgeführt werden. WICHTIG! NICHT zu fest anziehen.
9. Die Verstrebröhre (11) wie gezeigt am unteren Stangenteil (6) befestigen.
WARNUNG: Die Schraube (14) in der Gegenmutter (12) so weit anziehen, bis sie bündig mit der Außenkante der Gegenmutter abschließt.
10. Die Vorrichtung vorsichtig auf die Seite legen und die Verstrebröhre (11) wie gezeigt am Tank (1) befestigen. Fest anziehen. Das gleiche Verfahren auf der anderen Seite durchführen. HINWEIS: Den Stangenaufbau in dieser Position keinem unnötigen Druck aussetzen. Dieses Verfahren sollte von zwei Personen ausgeführt werden.
11. Die Stangenmontagehalterung (17) und die Verstärkungshalterung (37) wie gezeigt mit Schlossschrauben (18) befestigen. Die Flanscmuttern (16) fest anziehen.
12. Die Abstandsstücke (22, 23) wie gezeigt mit Schrauben (21), Unterlegscheiben (19) und Muttern (20) an der Stangenmontagehalterung (17) befestigen. WICHTIG! Nur so weit anziehen, bis sich die Unterlegscheiben (19) nicht mehr bewegen.
13. Die Abdeckungen (24) mit der Schlossschraube (25) und Mutter (16) wie gezeigt an der Stangenmontagehalterung (17) befestigen. WICHTIG! Während dieses Montageschritts das Ende der Stifteleine (27) über die Schlossschraube (25) schlingen. HINWEIS: Die Abzugsleine (27) wie gezeigt am Verriegelungsstift (26) befestigen.
14. Das Logo und die Höhenanzeigaufkleber (29) wie gezeigt an der Einstellstange (28) befestigen. Die Griffteile (32, 33) mit Schraube (31), Schlossschraube (30) und Flanscmutter (16) wie gezeigt an der Einstellstange befestigen. WICHTIG! Die Anzeigaufkleber sollten so nahe wie möglich an den Öffnungen angebracht werden, um eine Beschädigung der Aufkleber während der Höhenverstellung zu vermeiden.
15. Die Griffbaugruppe wie gezeigt durch Stangenmontageeinheit schieben. Den Stangenaufbau mit dem Stift (26) an der 3,05 m (10 Fuß) Markierung sichern.
16. Die Korbwand-Tragehalterungen (34) wie gezeigt mit Schrauben

(21), Abstandsstücken (36) und Muttern (20) am Korbwandrahmen befestigen.

17. Die unteren Verlängerungsrohre (40) wie gezeigt zusammenbauen. HINWEIS: Die Schrauben zur Probe in die Bohrungen der Klammern (34) stecken und sie vorsichtig in einer Kreisbewegung hin- und herbewegen, um eventuelle Farbrückstände aus den Bohrungen zu entfernen. WICHTIG! Dieser Mechanismus funktioniert nur dann sicher und ordnungsgemäß, wenn alle Teile vorschriftsmäßig eingebaut wurden.
18. Die oberen Verlängerungsrohre (43) an den Korbwandklammern (34) befestigen.
19. Die Stange auf einen Sägebock legen. Die Korbwandbaugruppe wie gezeigt am oberen Stangenteil (4) befestigen. Die Stangenkappe (46) aufsetzen. HINWEIS: Diese Arbeit sollte von zwei (2) Personen ausgeführt werden. Bitte vorsichtig zu Werke gehen; die Verlängerungsbaugruppe ist sehr schwer.
20. Die oberen Verlängerungsrohre (43) wie gezeigt an den Dreiecksplatten (45) befestigen. Die Griffeneinheit wie gezeigt mit Schraube (47), Abstandsstücken (44) und Mutter (39) an den unteren Verlängerungsrohren (40) anbringen. HINWEIS: Bevor zum nächsten Schritt übergegangen wird, ist das Einstellsystem auf die 3,05-m- (10 Zoll)-Markierung einzustellen.
21. Die Schraube (47) durch das linke obere Verlängerungsrohr (43) schieben und die Feder (41) über die Schraube (47) dehnen. Die Schraube (47) durch das rechte obere Verlängerungsrohr (43) schieben und mit der Mutter (39) sichern.
WARNUNG: Beim Einsetzen von Federn eine Schutzbrille tragen.
22. Die Vorrichtung aufrichten. Den fertigen Aufbau an die gewünschte Position rollen. Den Tank mit Wasser (ca. 115 l [30 US-Gallonen]) oder Sand (ca. 113 kg [255 lbs]) füllen und den Tankdeckel (28) aufschnappen lassen. Den Aufbau mit dem Ankerriemen (29) und dem Bodenverankerungspfahl (30) im Boden sichern. WICHTIG! Den Tank mit 7,6 l (2 US-Gallonen) eines ungiftigen Gefrierschutzmittels füllen, um in Klimazonen mit Frosttemperaturen ein Gefrieren zu verhindern.
WARNUNG: DIE VORRICHTUNG IM LEEREN ZUSTAND NICHT UNBEAUF SICHTIGT LASSEN, DA SIE UMKIPPEN KÖNNTE.
23. Bei festgehaltenem Griff den Stift (26) herausziehen.
WARNUNG: Kindern darf das Verstellen der Höhe nicht gestattet werden.
24. Die Verlängerungsvorrichtung bis zur gewünschten Höhe nach oben oder unten verschieben.
25. Den Stift (26) zum Verriegeln des Systems auf der gewünschten Höhe ganz hineinschieben.
26. Höhen- und Transportaufkleber (54) wie gezeigt an der Vorderseite der Stange anbringen.
27. Die vordere Abdeckung (35) wie gezeigt auf den Verstrebröhren (11) befestigen.
28. Das Zugband (56) um die Verstrebröhre (11) und Abdeckung (35) herumführen. Das flache Ende des Zugbands (56) durch sein das viereckige Ende führen und fest anziehen. HINWEIS: Die Rillen auf dem Zugband (56) sollten sich auf der Schleifeninnenseite befinden, wenn das flache Ende des Bandes durch das viereckige Ende gezogen wird.
29. Nachdem das Zugband (56) in den vier dargestellten Bereichen fest angezogen ist, sind die überstehenden Teile mit einer Schere abzuschneiden.
WARNUNG: EIN GEBRAUCH DIESES PRODUKTS OHNE ORDNUNGSGEMÄSS ANGEBRACHTE BZW. MIT FEHLENDEN SMART CLIPS KANN VERLETZUNGEN ZUR FOLGE HABEN. DIE ANLEITUNG UNBEDINGT SORGFÄLTIG BEACHTEN.
30. Die Netzhalteklammern wie gezeigt anbringen. (Siehe Abbildung)
31. Das Netz wie gezeigt anbringen. (Siehe Abbildung)

Artikel	Menge	Teilenummer	Beschreibung
	1	1	206336 Tank
	2	2	206330 Radachse, 4-1/4 Länge
	3	2	226401 Rad, 4 Zoll (schwarz)
	4	1	904847 Oberes Stangenteil
	5	1	908481 Mittleres Stangenteil
	6	1	908487 Unteres Stangenteil
	7	1	202820 Stange, 3/8 AD x 4-3/4 Länge
	8	1	202822 Einschrauböse, 3/8-16 x 3-3/4 Länge
	9	1	202821 Scheibe, 2-3/4 Durchmesser
	10	1	203063 Nylon-Einschraubgegenmutter, 3/8-16
	11	2	906410 Verstrebung, 43 Zoll Länge, mit flachen Enden
	12	1	203220 Ny-Lock-Mutter, 5/16-18
	13	7	203218 Unterlegscheibe, 5/16, flach
	14	1	201625 Sechskantkopfschraube, Gelb Dichromate, 5/16-18 x 3.60 Länge
	15	2	203798 Sechskant-Flanschschraube, 5/16-18 x 1-1/2
	16	9	203100 Sechskant-Flanschnutter, 5/16-18
	17	1	204832 Stangenmontageklammer
	18	2	203231 Schlossschraube, 5/16-18 x 3-1/2 Länge
	19	4	203232 Unterlegscheibe, Metall, 3/4 Zoll AD
	20	4	201124 Sechskant-Gegenmutter, 3/8-16
	21	4	206360 Sechskantkopfschraube, 3/8-16 x 2-5/8 Länge
	22	2	204858 Abstandsstück, rund, Plastik
	23	2	204857 Abstandsstück, Metall, 1/2 Zoll AD x 1,44 Zoll Länge
	24	2	204859 Federabdeckung
	25	1	203038 Schlossschraube, 5/16-18 x 2-3/4 Länge
	26	1	204850 Verriegelungsstift
	27	1	204853 Abzugsleine, schwarze Rolle
	28	1	904833 Höheneinstellstange
	29	1	204872 Höhenanzeigaufkleber
	30	2	203103 Schlossschraube, 5/16-18 x 2 Länge

Artikel	Menge	Teilenummer	Beschreibung
	31	1	204803 Kreuzschlitzschraube
	32	1	204855 Griff, links
	33	1	204856 Griff, rechts
	34	2	900103 Korbwandklammer
	35	1	203255 Frontabdeckung
	36	2	200874 Abstandsstück, Stahl, 0,402 ID x 0,50 AD x 1,5 Länge
	37	1	206990 Verstärkungshalterung
	38	4	201681 Abstandsstück, Plastik, 0,530 ID x 0,875 Länge
	39	7	206340 Sechskant-Gegenmutter, 1/2-13
	40	2	908408 Unteres langes Verlängerungsrohr
	41	1	204838 Feder
	42	1	Korbrand
	43	2	904820 Oberes kurzes Verlängerungsrohr
	44	2	201682 Abstandsstück, 0,530 ID x 1,875 Länge
	45	2	900867 Dreiecksplatte, (Schwarz)
	46	1	202814 Stangenendkappe
	47	6	206244 Sechskantschraube, 1/2-13 x 8 Länge
	48	1	204870 Sechskantschraube, 1/2-13 x 3-1/2 Länge
	49	2	203617 Verschlusskappe
	50	12	201219 Smart Clip, Netzhalteklammer
	51	1	Netz
	52	1	201568 Verankern Sie Riemen
	53	1	203124 Bodenverankerungspfahl
	54	1	201252 Höheneinstell- und Transportaufkleber
	55	4*	205528 Sechskant-Flanschschraube, 5/16-18 x 1 Länge
	56	4*	203257 Zugband
	57	4	201683 Abstandsstück, 530 ID x 1,5 Länge

* DIESEM MODELL KÖNNEN ZUSÄTZLICHE TEILE BEIGEPACKT SEIN.