

# READ AND UNDERSTAND THESE INSTRUCTIONS BEFORE INSTALLING FIXTURE

This fixture is intended for installation in accordance with the National Electrical Code and local regulations. To assure full compliance with local codes and regulations, check with your local electrical inspector before installation. To prevent electric shock, turn off electricity at fuse box before proceeding.

Retain these instructions for maintenance reference.

## INSTALLATION PROCEDURE FOR ELLIPSOIDAL DOWNLIGHT (A-LAMP)

**CAUTION: (RISK OF FIRE) DO NOT INSTALL INSULATION ABOVE, NOR WITHIN 3 INCHES (76mm) OF ANY PART OF THE LUMINAIRE.**

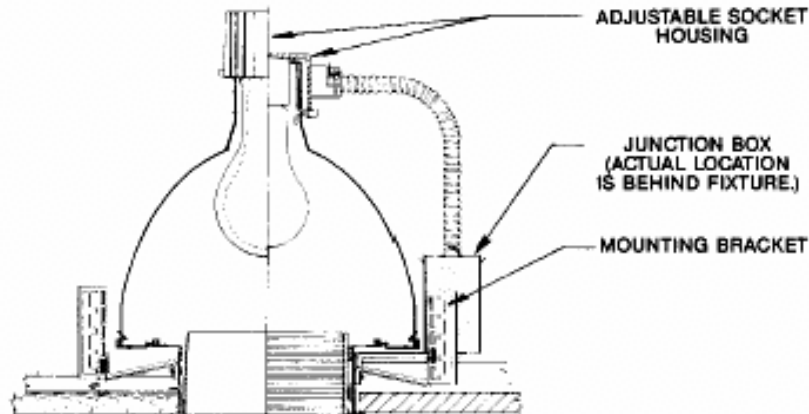


FIG. 1

### A. INSTALL MOUNTING FRAME IN CEILING USING ADJUSTABLE MOUNTING BRACKET

- (1) With MOUNTING BARS (order separately): 18" – Cat. No. 1950; 27" – Cat. No. 1951).  
Use rectangular slots as shown.
- (2) With 3/4" channel (by others)
- (3) With 1 1/2" channel (by others)

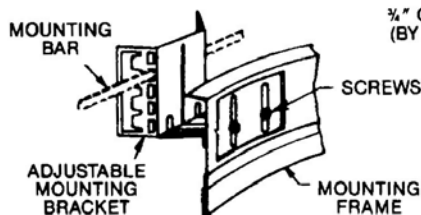


FIG. 2

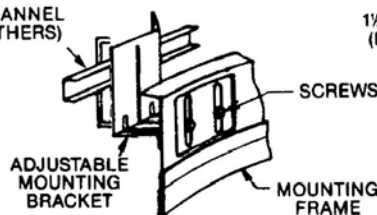


FIG. 3

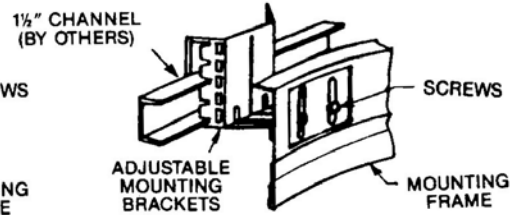


FIG. 4

Slide MOUNTING BARS or CHANNELS (by others) through slots in ADJUSTABLE MOUNTING BRACKET which will place the bottom of the MOUNTING FRAME approximately in line with the finished ceiling line. Final adjustments may be made by means of MOUNTING BRACKET SCREWS on inside of fixture.

**For wood joist construction:** TELESCOPING MOUNTING BARS No. 7994 (order separately) may be used to secure MOUNTING FRAME (Fig.5).

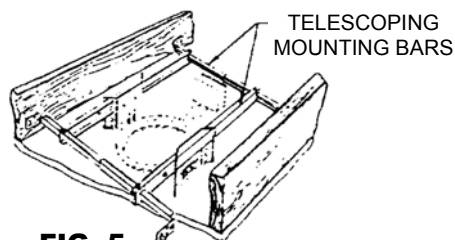


FIG. 5

**For suspended ceilings:** T-Bar ANCHOR CLIPS ACCESSORY No. 1956 (order separately) may be used with 18" or 27" MOUNTING BARS or TELESCOPING MOUNTING BARS for quick mounting (Fig. 6) or simply wire MOUNTING BARS to ceiling members (Fig. 7)

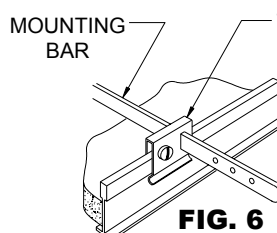


FIG. 6

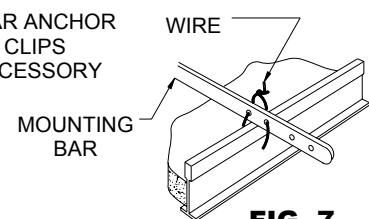


FIG. 7

**READ AND UNDERSTAND THESE INSTRUCTIONS BEFORE INSTALLING FIXTURE**

This fixture is intended for installation in accordance with the National Electrical Code and local regulations. To assure full compliance with local codes and regulations, check with your local electrical inspector before installation. To prevent electric shock, turn off electricity at fuse box before proceeding.

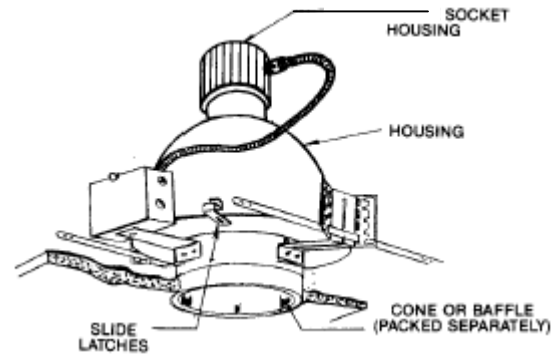
**Retain these instructions for maintenance reference.**

**NOTE: To insure proper installation it is important that MOUNTING FRAME always be securely mounted to structural ceiling members.**

**B. INSTALL AND WIRE FIXTURE**

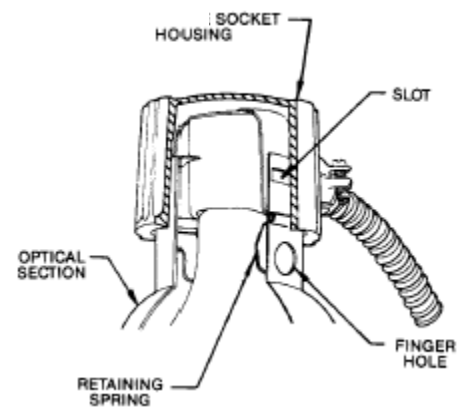
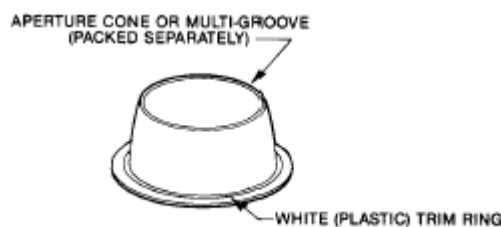
- 1) Install fixture in ceiling. Adjust fixture for proper alignment with the ceiling (Step A) and then wire fixture. White fixture lead to neutral supply lead. Bare fixture wire to supply ground. Use wire-nuts (local hardware items). Place all electrical connections in the J-BOX. Attach J-BOX COVER onto J-BOX.

**NOTE: SLIDE LATCHES** permit removal of reflector from within fixture for access to splices or for relamping from above ceiling (Fig. 8) These latches must be snapped back into position to prevent reflector from disengaging during relamping.

**FIG. 8****C. PUSH-IN (FIG.8)**

- 1) Push APERTURE CONE or MULTI-GROOVE BAFFLE straight up into MOUNTING FRAME until tight against finished ceiling. RETAINING SPRINGS on MOUNTING FRAME (Fig.1) will secure APERTUR CONE or MULTI-GROOVE BAFFLE in place.

**NOTE: To remove CONE or BAFFLE,** turn CONE or BAFFLE counterclockwise while pulling downward. After starting, use both hands to remove, if desired. See (Fig. 11)

**FIG. 9****FIG. 10****TO REMOVE****FIG. 11**

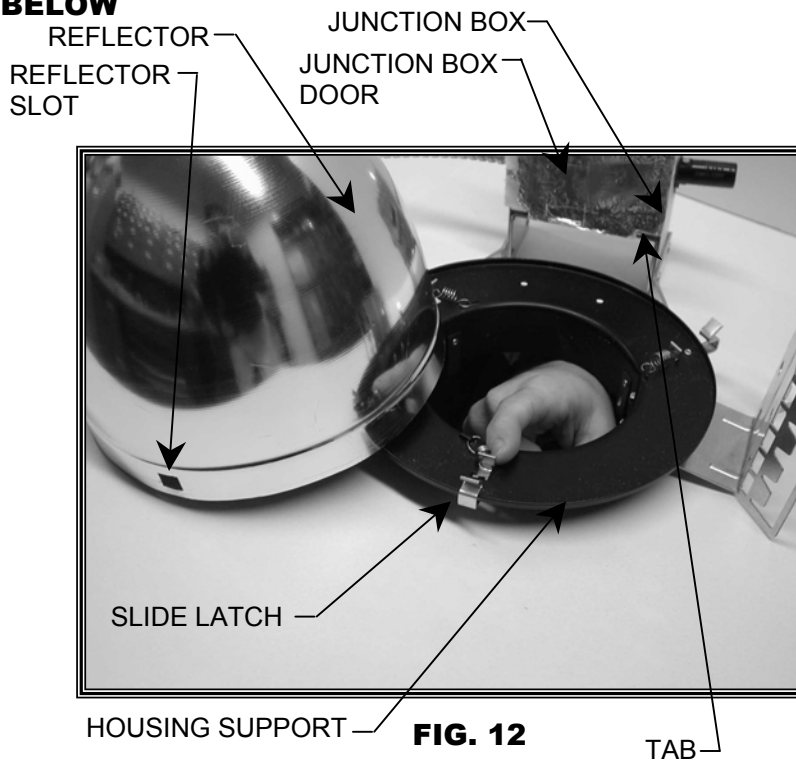
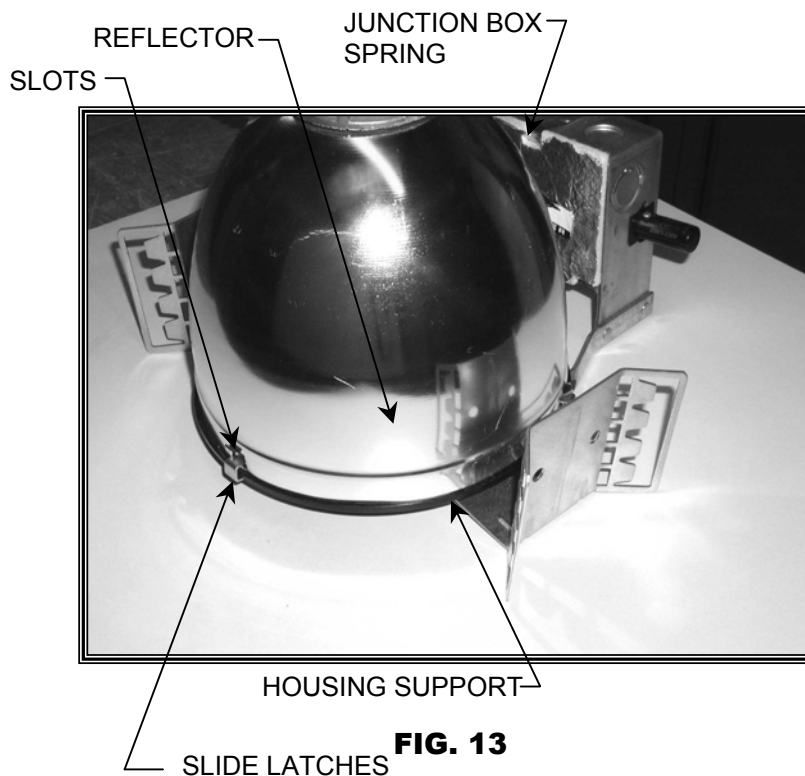
**READ AND UNDERSTAND THESE INSTRUCTIONS BEFORE INSTALLING FIXTURE**

This fixture is intended for installation in accordance with the National Electrical Code and local regulations. To assure full compliance with local codes and regulations, check with your local electrical inspector before installation. To prevent electric shock, turn off electricity at fuse box before proceeding.

**Retain these instructions for maintenance reference.**

**D. ACCESS TO JUNCTION BOX FROM BELOW**

- 1) Switch off power to fixture at service panel.
- 2) Remove CONE (Fig. 11) and LAMP.
- 3) Locate SLIDE LATCH on HOUSING SUPPORT push out to the right to disengage SLIDE LATCH from SLOT of REFLECTOR (Fig. 12). Repeat for other two latches.
- 4) Push REFLECTOR up and to the side to provide access to JUNCTION BOX. (Fig. 12).
- 5) To access JUNCTION BOX, lift up JUNCTION BOX SPRING to remove JUNCTION BOX DOOR (Fig. 12).
- 6) After servicing, push all wires back inside JUNCTION BOX. Insert TABS of JUNCTION BOX DOOR into slots of JUNCTION BOX and align NOTCH of JUNCTION BOX DOOR with JUNCTION BOX SPRING. Snap JUNCTION BOX DOOR onto JUNCTION BOX firmly (Fig. 12 and 13). Make sure JUNCTION BOX DOOR is not pinching wires.
- 7) Install REFLECTOR back into HOUSING SUPPORT (Fig. 13). For easier installation, the conduit from socket to junction box should be positioned as shown in Fig. 13.
- 8) Feel through the slots to align SLOTS of REFLECTOR with SLIDE LATCHES. Note: SLIDE LATCHES may not be visible from below, it is recommended to first align the slot with the latch opposite to junction box, then place REFLECTOR on inside of HOUSING SUPPORT (Fig. 13).
- 9) Slide SLIDE LATCH to the left and pull back to secure REFLECTOR (Fig. 13). Repeat for the other two latches.
- 10) To ensure REFLECTOR is properly secured, rotate REFLECTOR slightly to ensure SLIDE LATCHES engage with SLOTS in REFLECTOR. The REFLECTOR should not rotate if it is in locked position.
- 11) Install lamp.
- 12) Install CONE (Step C PG 2)

**FIG. 12****FIG. 13****E. CARE AND MAINTENANCE OF "ALZAK" REFLECTOR**

If handling of reflectors with anodized or Alzak finish is required, the use of clean white or plastic film gloves is recommended to avoid fingerprints.

Anodized or Alzak surfaces can be cleaned by the following methods:

- 1) Wipe off with a soft, clean, dry, lint-free cloth.
- 2) Wipe off with a soft, clean cloth dampened in mild detergent solution. Rinse, then wipe dry with a lint-free cloth or paper towel.
- 3) Wipe off with a clean cloth dampened with a solution of wetting agent and water (such as 2 oz. per gallon) "Pluronic L62-F" by Wyandotte Products). Then wipe dry.
- 4) Or use a liquid wash such as Glass Wax®. Avoid gritty cleaning agents.