



**ATD-500**  
**500W Portable Quartz Halogen Flood**  
**Work Light**



Manufactured in China to ATD Tools, Inc. Specifications

## **READ ALL INSTRUCTIONS BEFORE OPERATING**

Thank you for purchasing your ATD Halogen Light. Before attempting to operate your new Halogen Light, please read these instructions thoroughly. You will need these instructions for the safety warnings, precautions, and assembly, operation and maintenance procedures.

### **SAFETY**

- Before moving your halogen light or replacing a broken part, always make sure that the cord is unplugged and that the light has cooled.
- This unit must not be immersed in water.
- Do not install this unit within six feet of combustible material. The lamp housing can exceed temperatures of 230° F.
- Do not move your halogen light or replace bulbs or broken parts with wet hands, or when standing on a wet or damp surface or in water. Always make sure the power cord is unplugged before performing any maintenance.
- Do not use this lamp in hazardous locations such as flammable or explosive environments.
- Do not sit directly in front of this unit, as the high operating temperatures can burn the skin.
- Do not look directly into the lamp when switched on as this can damage the eyes.
- If used with an extension cord always make sure that the extension cord is fully unwound.
- We recommend that a ground fault interrupter (GFI) is used with your ATD Halogen Light.
- Do not use this unit if it has a broken lens, casing or damaged power cord.

### **Bulb Replacement / Adjusting your Lamp**

Unscrew the top screw in the lamp housing cover and install the halogen bulb as follows:

1. Holding the bulb with a soft cloth carefully locate one end of the bulb into the ceramic mounting. While pushing the end of the bulb against the metal pins, gently slide the other end of the bulb into position in the other ceramic mounting until it is secure. Do not use force when installing the bulb.

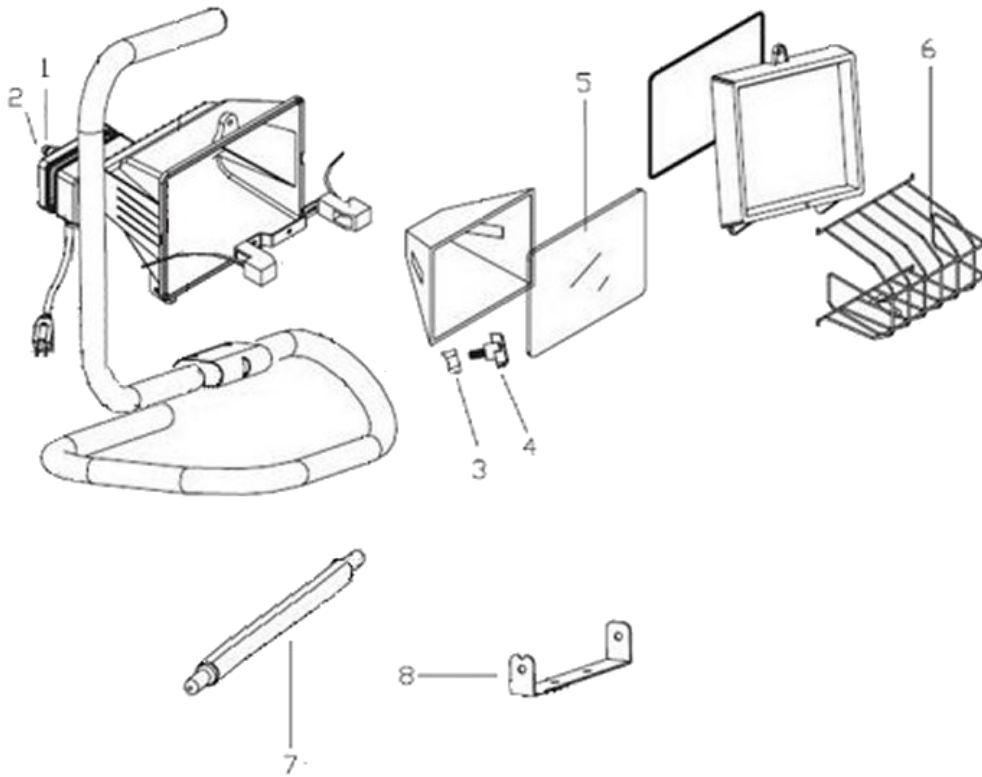
**NOTE: DO NOT TOUCH THE BULB WITH FINGERS, this will cause damage. If it has been touched, wipe it carefully with a soft cloth dampened with methylated spirits.**

2. When the bulb is in position, replace the lamp housing and firmly screw into place.
3. To alter the angle of the lamp, loosen the black knob on the front of the lamp, move the lamp to the required angle, then tighten the knob to hold the lamp securely.

## Troubleshooting

<b>Symptom</b>	<b>Possible Cause</b>	<b>Corrective Action</b>
<b>Lamp will not operate</b>	Bulb broken	Replace bulb
	Poor contact between lamp and socket	Check to see if lamp is securely installed into socket
	Improper wiring	Have unit checked by a qualified electrician
	Incorrect voltage; voltage at fixture too high/low	Have power supply checked by a qualified electrician

## ATD-500



ITEM#	ORDERING PART#	PART DESCRIPTION
1	PRT500-01-02	SWITCH WITH COVER
2	PRT500-01-02	SWITCH WITH COVER
3	PRT500-03-04	KNOB WITH ADJUSTING WASHER
4	PRT500-03-04	KNOB WITH ADJUSTING WASHER
5	PRT500-05	GLASS LENS
6	PRT500-06	GUARD
7	PRT500-07	BULB
8	PRT500-08	MOUNTING BRACKET