

Incandescent lamps

Frosted tubular

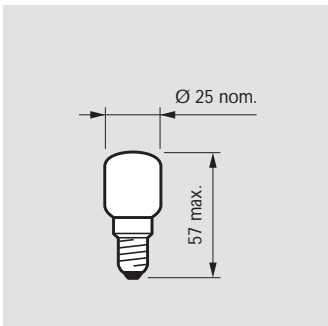


Tubular incandescent lamps with single-coil filament and inside-frosted bulbs. Very useful lamps for a wide range of domestic and industrial applications. Frosted tubular lamps have a universal burning position.

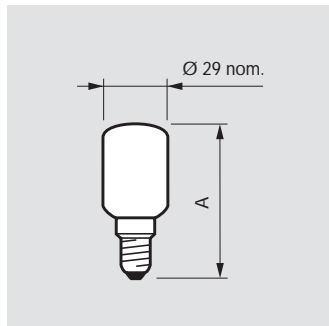
Applications
Switchboards, cupboards, piano lighting, etc.

T29 E14

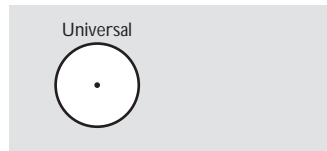
Dimensions in mm



T25 E14



Type	A max.
Cap/base E14	
T29L 25W/40W 230V	96.0
T29 40W 240V	76.0



Burning position



Commercial name	Type	Wattage	Voltage		Cap/base	Finish	Lumen output	Lamp life 100% h	EOC
			W	V					
15W									
PRACTITONE	T25	15	230-240	E14	FR	110	1000	058393	
25W									
PRACTITONE	T25	25	230-240	E14	FR	172	1000	042477	
PRACTITONE	T29L	25	230	E14	FR	200	1000	320131	
40W									
PRACTITONE	T29L	40	230	E14	FR	290	1000	320155	
PRACTITONE	T29	40	240	E14	FR	420	1000	166166	