

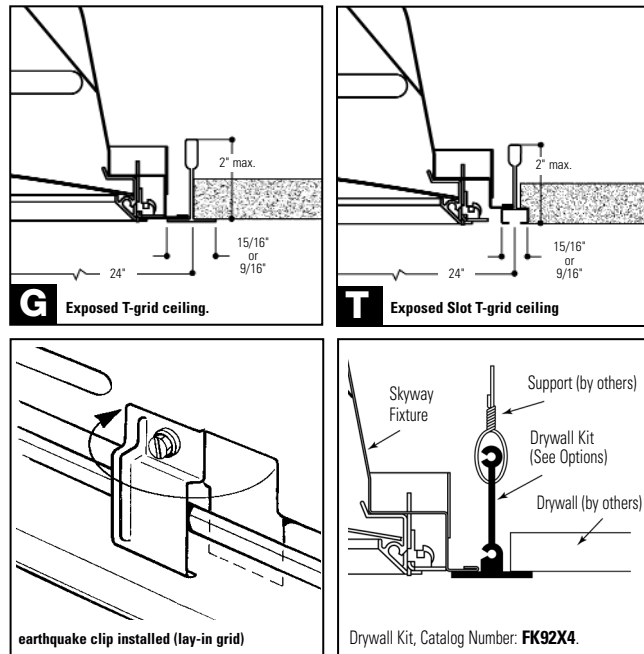
2' x 4' Recessed Fluorescent, Tri-Lens Frame
Static or Air Supply/Return, 2 or 3 Lamp T5 or T5HO

Features

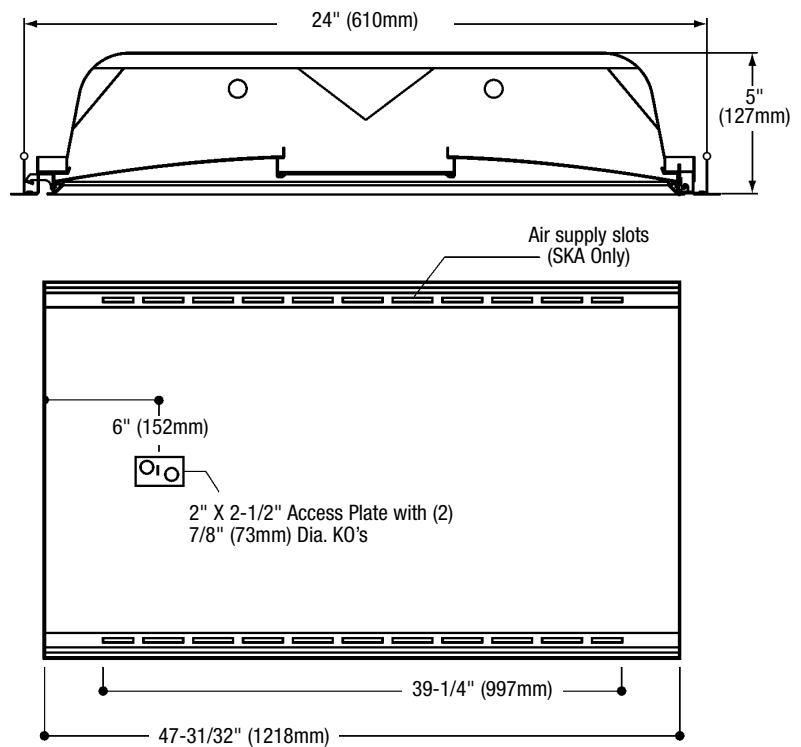
- Aesthetically pleasing triple lens design.
- Curved high light transmission frost white acrylic side lenses.
- Clear acrylic conical prismatic center lens.
- Internal reflector coated with 95% reflective white paint.
- 73% efficient 2 Lamp 28 watt T5.
- 72.7% efficient 2 Lamp 54 watt T5HO.
- 5" deep body.
- Black housing exterior for cooler ballast operating temperature.
- Eyeleted heat removal vents in fixture ends.
- Hemmed over side rails for maximum safety.
- Fixture ends turned-in for safe handling.
- Built-in earthquake clips (patent no. 5,072,344).
- Door jamb finished black on four sides for positive light stop.
- True mitered corner aluminum lens frame.
- Spring loaded rooster head latches.
- 18 gauge steel hinges.
- Construction to meet NYC Code Requirements or Chicago Plenum is available.



Mounting Methods



Dimensions



Job Information	Type:
Job Name:	
Cat. No.:	
Lamp(s):	
Volts/Ballast:	

For Factory Technical Information: (978) 657-7600 • Fax (978) 658-0595
631 Airport Road, Fall River, MA 02720 • (508) 679-8131 • Fax (508) 674-4710
We reserve the right to change details of design, materials and finish.
www.lightolier.com © 2009 a Philips Group

01/09

Section 5/Folio MA12-16

2' x 4' Recessed Fluorescent, Tri-Lens Frame Static or Air Supply/Return, 2 or 3 Lamp T5 or T5HO

Model No. SKS2GPK228120WA

LER = FP - 64.1 IW - 54.5 BF - 0.92
Comparative yearly lighting energy cost per 1000 lumens = \$3.74

Report Number: G2008274
Catalog Number: SKS2GPK228120WA
Lamps: (2) F28T5/835/ALTO
Luminaire: Skyway Recessed 2' x 4' fixture prismatic acrylic lens assembly.
Ballast: ST232120E
Report is based on 2600 Lumens per lamp.
Efficiency: 73.0%
CIE Type-Direct-Indirect
Plane: 0-Deg 90-Deg
Spacing Criteria: 1.2 1.2
Shielding Angles: 90 90
Plane: 0-Deg 90-Deg
Luminous Length: 45.600 21.600

CANDELA DISTRIBUTION

	0.0	45.0	90.0	FLUX
0	1814	1814	1814	
5	1789	1784	1784	169
15	1690	1687	1716	479
25	1521	1542	1608	715
35	1271	1316	1341	810
45	859	867	853	673
55	505	559	511	486
65	282	298	280	299
75	143	128	112	140
85	13	10	6	24
90	10	9	5	

ZONAL LUMEN SUMMARY

ZONE	LUMENS	% LAMP	% FIXT
0- 30	1363	26.2	35.9
0- 40	2173	41.8	57.3
0- 60	3333	64.1	87.8
0- 90	3796	73.0	100.0
90-180	0	0.0	0.0
0-180	3796	73.0	100.0

LUMINANCE DATA IN CANDELA/SQ. METER

AVERAGE IN DEG.	AVERAGE 0-DEG.	AVERAGE 45-DEG.	AVERAGE 90-DEG.
45	1911.	1929.	1898.
55	1385.	1533.	1401.
65	1050.	1109.	1042.
75	869.	778.	681.
85	235.	180.	108.

COEFFICIENTS OF UTILIZATION - ZONAL CAVITY METHOD. EFFECTIVE FLOOR CAVITY REFLECTANCE 0.20

RC	80	50	30
RW 70 50 30	50 30 10	50 30 10	50 30 10
1	81	78	75
2	74	69	65
3	68	62	56
4	63	55	50
5	59	50	44
6	54	46	40
7	51	42	36
8	47	38	32
9	44	35	30
10	42	33	27

Model No. SKS2GPK254UNVPG

LER = FP - 56.9 IW - 114.9 BF - 1.0
Comparative yearly lighting energy cost per 1000 lumens = \$4.21

Report Number: G2008317
Catalog Number: SKS2GPK254UNVPG
Lamps: (2) F54T5/835/HO/ALTO
Luminaire: Skyway Recessed 2' x 4' fixture prismatic acrylic lens assembly.
Ballast: ICN-2S25-90C
Report is based on 4500 Lumens per lamp.
Efficiency: 72.7%
CIE Type-Direct-Indirect
Plane: 0-Deg 90-Deg
Spacing Criteria: 1.2 1.3
Shielding Angles: 90 90
Plane: 0-Deg 90-Deg
Luminous Length: 45.600 21.600

CANDELA DISTRIBUTION

	0.0	45.0	90.0	FLUX
0	2812	2812	2812	
5	2790	2790	2790	265
15	2668	2666	2690	755
25	2446	2470	2551	1145
35	2107	2174	2281	1356
45	1576	1541	1527	1200
55	938	1009	935	880
65	524	581	525	568
75	291	263	252	299
85	86	63	58	77
90	13	12	7	

COEFFICIENTS OF UTILIZATION - ZONAL CAVITY METHOD. EFFECTIVE FLOOR CAVITY REFLECTANCE 0.20

RC	80	50	30
RW 70 50 30	50 30 10	50 30 10	50 30 10
1	80	77	74
2	73	68	62
3	67	60	55
4	62	54	48
5	57	49	43
6	53	44	38
7	50	40	34
8	46	37	31
9	43	34	28
10	41	31	26

ZONAL LUMEN SUMMARY






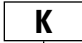
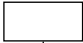

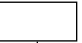
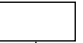

ZONE	LUMENS	% LAMP	% FIXT
0- 30	2165	24.1	33.1
0- 40	3521	39.1	53.8
0- 60	5601	62.2	85.6
0- 90	6545	72.7	100.0
90-180	0	0.0	0.0
0-180	6545	72.7	100.0

LUMINANCE DATA IN CANDELA/SQ. METER

AVERAGE IN DEG.	AVERAGE 0-DEG.	AVERAGE 45-DEG.	AVERAGE 90-DEG.
45	3506.	3428.	3397.
55	2573.	2767.	2564.
65	1950.	2163.	1954.
75	1769.	1599.	1532.
85	1552.	1137.	1047.

Ordering Information

Explanation of Catalog Number. Example: SKS2GPK254UNVPG

										
SK Standard Skyway	SY For NYC Code - I.B.E.W. Manufactured	NK For NYC Code - Local 3 Manufactured								

Options/Accessories

Fusing: Internal fast blow fusing: SUFFIX: **A**.
Internal slow blow fusing: SUFFIX: **C**.
Drywall Kit: Order Catalog Number: **FK92X4**.
Electrical Wiring Options: Consult factory.
For motion or light sensor: See Folio OA20-10 and OA20-30.

Specifications

Performance: In an installation of 2 lamp 28W luminaires in a room cavity ratio of 1, with reflectance 80% ceiling, 50% wall, 20% floor, the C.U. shall not be less than .78. To reduce glare the average brightness at 65° shall not exceed 1109 candelas per square meter. To control veiling reflections, luminaire output in the 30°-90° zone shall not be less than 64.1%.

Air Handling: (SKA only) side air passages for air supply or air return. Supply air is discharged vertically. Optional side closure strips. Air return is also provided through the lamp compartment through fixture body ends.

Materials: Chassis parts are die-formed code gauge cold rolled steel. Housing has side rails hemmed over and housing ends turned-in for safe handling.

Finish: Chassis exterior-black baked polyester enamel. **Cavity**-white baked polyester enamel minimum 86% reflectance. Rust preventative undercoating.

Reflectors- 95% reflective white powder coated.

Specifications (continued)

Lens: Proprietary high quality frost white acrylic and clear conical prism lens assembly.
Electrical: Thermally protected class "P" ballast C.B.M. approved, non PCB. If K.O. is within 3" of ballast, use wire suitable for at least 90°.
UL Listed for damp locations.
Labels: I.B.E.W./UL and ULc Listed.
This product may have a mercury containing lamp. Manage in accord with Disposal Laws.
See: www.lamprecycle.org

Job Information

Type:

For Factory Technical Information: (978) 657-7600 • Fax (978) 658-0595
631 Airport Road, Fall River, MA 02720 • (508) 679-8131 • Fax (508) 674-4710
We reserve the right to change details of design, materials and finish.
www.lightolier.com © 2009 a Philips Group

Section 5/Folio MA12-16