

Module Ordering Information

Style	Series	Type	Lamps	Length	Ballast	Options
LP	3	B	2T8 2T8 = 2-F32T8	4 = 4-Foot 8 = 8-Foot 12 = 12-Foot	U = Universal Voltage E = Emergency Pack D1 = Dimming 120v D2 = Dimming 277v	Blank = No Options DS = A-B Switch X4 = 4 Wire for Dimming & Switched Emergency

Complete ordering instructions below.

Features

- Housing:** 18 gauge perforated steel with 41% open hole pattern. Holes are 1/16" (0.16cm) diameter on 3/32" (0.24cm) centers. Die-formed steel end cap with concealed access holes for through wiring. No exposed fasteners or hardware.
- Lamping:** Two T8 32 watt fluorescent lamps per 4-foot section. Provided by others.
- Diffuser:** Opal acrylic diffuser.

Electrical

Ballast is universal voltage, <10% THD, .88 ballast factor, instant start. 3 conductor, 18 gauge wire. Color-coded quick connectors allow ease of connection for joiner modules. For special circuiting consult factory. Cord is 18/3 SJT. Factory installed ballast disconnect allows the ballast to be disconnected from and reconnected to incoming power under load without turning the entire circuit off.

Dimming: 120/277 VAC, 4 wire feed required.

Emergency Battery Pack: 32 watt: 450 lumens @ 90 minutes.

Mountings

Cable Suspension (not shown) - 4-1/2" (11.43cm) diameter flat canopy finished white enamel, 1/16" (0.16cm) diameter stainless steel aircraft cable adjustable up to 36" (91.44cm) without cutting. Overlap connector to provided 46" (116.84cm) of perforated and 2" (5.08cm) solid sections contiguously without the presence of hairline connections (see Bottom View drawing above).

Options

Dual Switching: Order the DS option for separate row switching. DS option automatically ships with the X4 option included.

4 Wire: Order X4 modules for remainder of the run when using dimming and/or switched emergency battery pack modules. Also, order the 4 Wire Cord Power Feed End Sets (LP1EC36X4) when using 4 Wire Modules.

Emergency Circuiting: Special circuiting - consult factory.

Ordering Information

Individual Fixtures:

- Order number of MODULES required.
- Order one POWER FEED END SET per MODULE.

Continuous Rows:

- Determine run length.
- Order the appropriate number of MODULES for the complete run.
- Order one POWER FEED END SET per run.
- Order one CABLE ASSEMBLY per MODULE minus one per run.
- For runs that exceed amperage limits, order the appropriate number of SINGLE CABLE & CORD FEEDS.

Finish

Powder coated baked white enamel. Custom colors available, consult factory.

Labels

UL, cUL and I.B.E.W.

Job Information

Type:

Job Name:

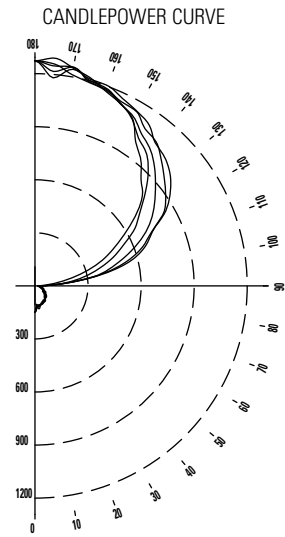
Cat. No.:

Lamp(s):

Notes:

631 Airport Road, Fall River, MA 02720 • (508) 679-8131 • Fax (508) 674-4710
We reserve the right to change details of design, materials and finish.
www.lightolier.com © 2008 Philips Group • B1008

Performance



ZONE DEG.	CANDLEPOWER				
	0	22	45	67	90
		CANDELAS			
180	1272	1272	1272	1272	1272
175	1292	1259	1217	1248	1181
165	1216	1190	1201	1193	1210
155	1139	1142	1138	1151	1170
145	993	1020	1050	1085	1119
135	848	905	955	1010	1034
125	695	724	826	902	935
115	485	555	680	729	735
105	276	373	475	541	569
95	69	156	175	183	180
90	14	30	32	40	36
85	15	16	26	31	34
75	30	27	32	45	46
65	44	53	50	53	56
55	52	59	68	73	73
45	76	77	85	87	91
35	96	95	95	98	103
25	97	108	105	109	105
15	113	114	109	109	117
5	118	124	127	104	115
0	148	148	148	148	148

REPORT NO: LP3B2T8.ies
 LAMPS: 2-F32T8
 LUMENS: 2900
 EFFICIENCY: 83.0%
 CAT. NO.: LP3B2T84U

COEFFICIENTS OF UTILIZATION

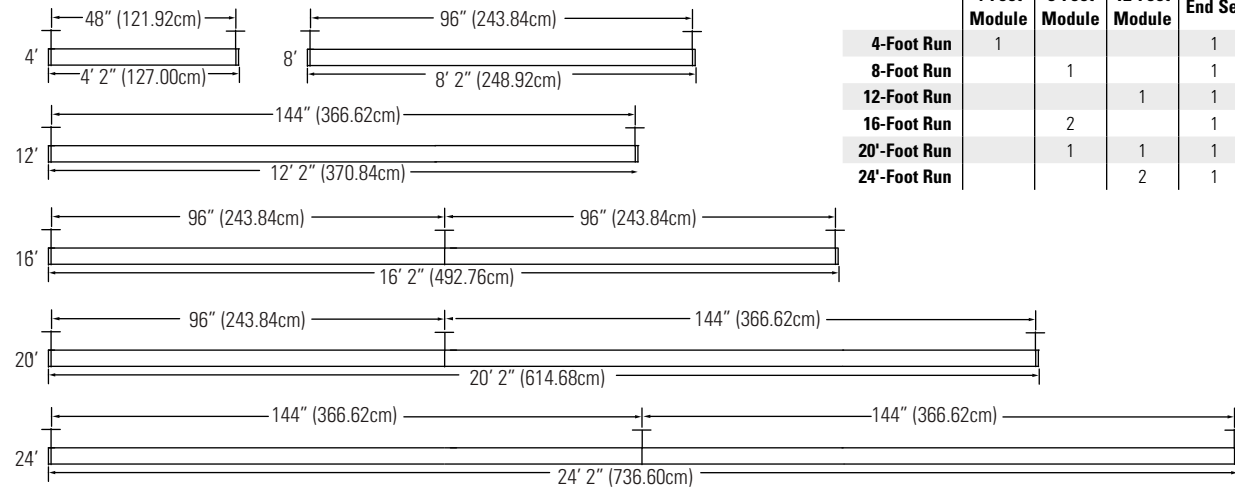
ROOM CAVITY RATIO	% EFFECTIVE CEILING CAVITY REFLECTANCE								
	80			70			50		
	% WALL REFLECTANCE								
	50	30	10	50	30	10	50	30	10
0	80	80	80	70	70	70	50	50	50
1	70	67	64	60	58	56	43	42	40
2	61	56	52	53	49	45	38	35	33
3	53	47	43	46	42	38	33	30	28
4	47	41	36	41	36	32	26	26	23
5	41	35	31	36	31	27	26	22	20
6	37	31	26	32	27	23	23	20	17
7	33	27	23	29	24	20	21	17	15
8	30	24	20	26	21	17	19	15	13
9	27	21	17	23	19	15	17	14	11
10	24	19	15	21	17	13	15	12	10

20% FLOOR CAVITY REFLECTANCE

DISTRIBUTION

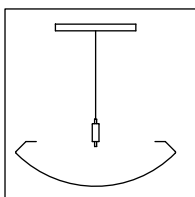
Zone	Lumens	% Lamp	% Luminaire
0-90	396	7.0	8.0
90-180	4417	76.0	92.0
0-180	4813	83.0	100.0

Fixture Lengths & Mounting Locations

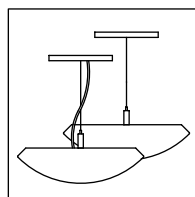


	4-Foot Module	8-Foot Module	12-Foot Module	End Set	Cable/Joiner
4-Foot Run	1			1	
8-Foot Run		1		1	
12-Foot Run			1	1	
16-Foot Run		2		1	1
20'-Foot Run		1	1	1	1
24'-Foot Run			2	1	1

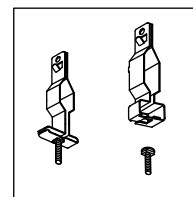
Mounting Accessories



Cable/Joiner Assembly
 Standard Cable Length is 36" (91.44cm)
 Single Cable: **LP3C36**
 Single Cable & Cord: **LP3CC36**
 Single Cable & 4 Wire Cord: **LP3CC36X4**



Power Feed End Set
 Standard Cable Length is 36" (91.44cm)
 Straight Cord: **LP3EC36**
 4 Wire Cord*: **LP3EC36X4**
 * use for dimming and/or emergency battery packs



Ceiling Grid Kit CGK
 Includes both Standard 1" (2.54cm)
 Tee Bar Clip & Slot Tee Clip

Job Information Type:

631 Airport Road, Fall River, MA 02720 • (508) 679-8131 • Fax (508) 674-4710
 We reserve the right to change details of design, materials and finish.
 www.lightolier.com © 2008 Philips Group • B1008