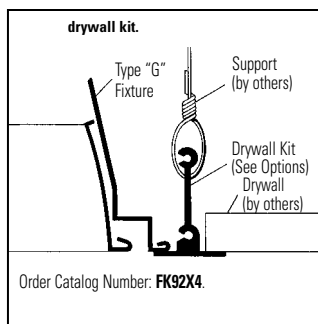
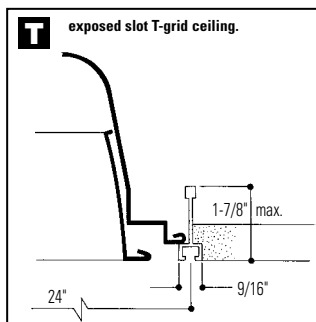
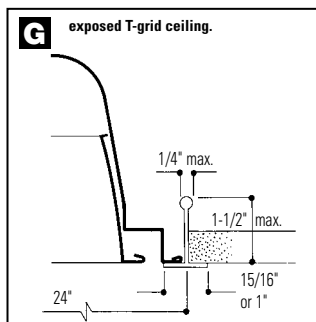


2' x 2' Recessed Fluorescent, 3" 9 or 16 Cell Parabolic Louver Static, 2-6" U Lamp T8

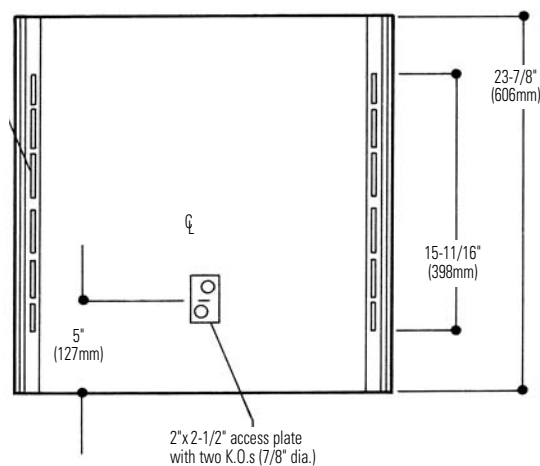
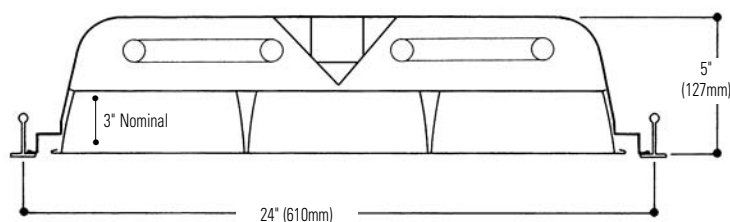
- UL Listed Type IC Recessed Luminaire (Intended for Direct Thermal Insulation Contact).
- Construction provides optimum thermal performance.
- Ballast mounted with thermal heat sink.
- Ideal for fire rated ceilings.
- One piece housing.
- Black exterior for cooler ballast operating temperature.
- 5" deep body.
- 66.2% efficient
- Hemmed over side rails for maximum safety.
- Fixture ends turned-in for safe handling.
- Built-in earthquake clips (patent no. 5,072,344).
- Pre-anodized aluminum parabolic louver.
- Spring loaded rooster head latches.
- 18 gauge steel hinges.
- Louver has protective film dust guard.
- Vertical grain louver eliminates reflected lamp images on cross baffle.
- Construction to meet NYC Code or Chicago Plenum requirements is available.



Mounting Methods



Dimensions



Job Information

Type:

Job Name:

Cat. No.:

Lamp(s):

Volts/Ballast:

For Factory Technical Information: (978) 657-7600 • Fax (978) 658-0595
631 Airport Road, Fall River, MA 02720 • (508) 679-8131 • Fax (508) 674-4710
We reserve the right to change details of design, materials and finish.
www.lightolier.com © 2008 a Philips Group

08/08

SECTION 7/Folio Q80-15

Model No. ICS2G9LS26U120S0

LER = FP - 53.4 IW - 57.2 BF - 0.87
Comparative yearly lighting energy cost per
1000 lumens = \$4.49

Report Number: G00027
Catalog Number: ICS2G9LS26U120S0
Lamp: (2) F32 T8
Luminaire: IC 2' X 2' Troffer with 3X3
Spectacular Louver
Ballast: M2-RN-T81LL-D-120
Report is based on 2750 Lumens per lamp.
Efficiency: 66.2%
CIE Type-Direct-Indirect
Plane: 0-Deg 90-Deg
Spacing Criteria: 1.2 1.2
Shielding Angles: 23 23
Plane: 0-Deg 90-Deg
Luminous Length: 21.720 21.720

CANDELA DISTRIBUTION

	0.0	45.0	90.0	FLUX
0	1552	1552	1552	
5	1545	1546	1556	147
15	1465	1501	1530	423
25	1341	1353	1369	625
35	1165	1132	1146	716
45	943	905	1090	743
55	677	744	966	683
65	214	286	301	271
75	23	26	27	30
85	4	5	4	5
90	0	0	0	

COEFFICIENTS OF UTILIZATION - ZONAL CAVITY METHOD. EFFECTIVE FLOOR CAVITY REFLECTANCE 0.20

RC	80	50	30	10	50	30	10
RW 70	71	69	67	65	63	64	63
2	68	63	59	60	57	54	57
3	62	56	51	53	49	46	51
4	57	50	45	48	43	40	46
5	53	45	40	43	38	35	42
6	49	41	35	39	34	31	38
7	45	37	31	35	31	27	35
8	42	34	28	32	28	25	32
9	40	31	26	30	25	22	29
10	37	29	24	28	23	20	27

TYPICAL V.C.P.'s

Room Size	Mounting Height							
	Lengthwise				Crosswise			
	0 Deg Plane		90 Deg Plane		0 Deg Plane		90 Deg Plane	
	8.5	10	13	16	8.5	10	13	16
30x30	75	69	60	57	72	66	57	53
40x40	80	74	67	60	77	71	64	57
60x30	79	74	67	61	76	71	64	58
60x60	82	78	72	65	80	75	70	63
100x100	85	82	78	72	84	80	76	70

LUMINANCE DATA IN CANDELA/SQ. METER

AVERAGE IN DEG.	AVERAGE 0-DEG.	AVERAGE 45-DEG.	AVERAGE 90-DEG.
45	4686.	4497.	5416.
55	4147.	4557.	5917.
65	1779.	2378.	2502.
75	312.	353.	367.
85	161.	202.	161.

ZONAL LUMEN SUMMARY

ZONE	LUMENS	% LAMP	% FIXT
0- 30	1195	21.7	32.8
0- 40	1911	34.7	52.5
0- 60	3336	60.7	91.6
0- 90	3643	66.2	100.0
90-180	0	0.0	0.0
0-180	3643	66.2	100.0

Ordering Information

Explanation of Catalog Number. Example: ICS2G9LS26UUNVHI

	S	2				S	2	6U			-	
IC Series: Recessed Parabolic suitable for Thermal Insulation Contact	Body Style: S=Static	Fixture Width	Ceiling Type: G= Grid (lay-in T bar) T= Slot grid	Number of Cells: 9=3 rows of 3 16=4 rows of 4	Louver Finish: L = Low iridescence Semi-specular (standard) P = Low iridescence Specular W = White Baked Enamel	Single "V" Reflector	Lamp Quantity 2=2 lamps	Lamp Type/ Fixture Length: 6"U T8 2 Lamp Only (Nominal 24")	Voltage: 120, 277 or UNV=120-277	Ballast Type: <20THD SO * PS <10THD HI *		Options: Lamps Flex EM Pack Fuse (Consult your representative)
IC	Standard IC Parabolic											
IY	For NYC Code - I.B.E.W. Manufactured											
IX	For NYC Code - Local 3 Manufactured 5 1/2" Deep Body											

Options/Accessories

Plaster Frame: Catalog Number: PF24.

Radio Interference Filter: To order one RIF per fixture; SUFFIX: R.
To order one RIF per ballast; SUFFIX: B.

Fusing: Internal fast-blow fusing. SUFFIX A. Internal slow-blow fusing. SUFFIX C.

Electrical Wiring Options: Consult factory.

Drywall Kit: Order Catalog Number: FK92X4. (Request Folio OA30-10 Rev. A).

Chicago Plenum: SUFFIX: C.

Specifications

Performance: In an installation of 2 lamp 31W luminaires in a room cavity ratio of 1, reflectance 80% ceiling, 50% wall, 20% floor, the C.U. shall not be less than .71. To prevent glare the VCP shall be not less than 63 either lengthwise or crosswise (at 100fc level) and the average brightness at 65° shall not exceed 2502 candelas per square meter. To control veiling reflections, luminaire output in the 30°-90° zone shall not be less than 67.2%.

Materials: Chassis parts are die-formed code gauge cold rolled steel. Housing is ribbed for rigidity with side rails hemmed over and housing ends turned-in for safe handling. Louver is pre-anodized aluminum.

Specifications (continued)

Finish: Chassis exterior-black baked polyester enamel. Cavity-white baked polyester enamel minimum 86% reflectance. Rust preventative undercoating. Louver-low iridescence semi-specular anodized vertical grain aluminum reflector sheet is standard.

Electrical: Thermally protected class "P" ballast C.B.M. approved, non PCB. If K.O. is within 3" of ballast, use wire suitable for at least 90°.

Labels: I.B.E.W. UL and ULc Listed.

This product may have a mercury containing lamp.

Manage in accord with Disposal Laws.

See: www.lamprecycle.org

Job Information Type:

For Factory Technical Information: (978) 657-7600 • Fax (978) 658-0595
631 Airport Road, Fall River, MA 02720 • (508) 679-8131 • Fax (508) 674-4710

We reserve the right to change details of design, materials and finish.

www.lightolier.com © 2008 a Philips Group

SECTION 7/Folio Q80-15