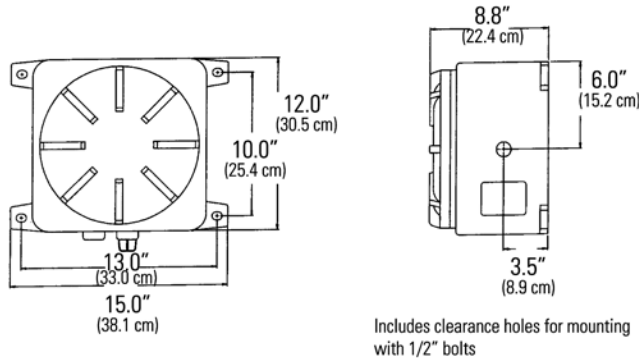


The HC Series is ideal for use in hazardous locations where explosive materials may be present. The HC Series is UL listed for use in Class I, Division 1, Groups C & D; Class II, Division 1, Groups E, F & G areas.



Complete Fixture consists of power pack unit. Order lighting fixtures separately. Select options below.

How to Specify:

HC

SERIES

HC = Hazardous Location
Emergency Lighting Unit



VOLTAGE/BATTERY

6V, Nickel Cadmium
14N = 14W Power Pack, Compact Fluorescent
Lamp Operation, AC and Emergency Operation¹
28N = 28W Power Pack, Incandescent Lamp Operation,
Emergency Operation Only
6V, Pure Lead
85P = 85W Power Pack, Incandescent Lamp Operation,
Emergency Operation Only
12V, Nickel Cadmium
50N = 50W Power Pack, Incandescent Lamp Operation,
Emergency Operation Only

NOTE:

1) Compatible only with F Series Fixtures using
7W compact fluorescent lamps. Will not operate
incandescent lamps. Maximum remote mounting
distance from the HC14N is 8 feet.

Features

- 1. Illumination:** Illumination is accomplished with incandescent or compact fluorescent F Series Fixtures. (See F Series Spec Sheet.)
- 2. Housing:** Copper-free cast aluminum enclosure designed to withstand the pressure of explosions generated by internal arc without propagating them into the hazardous atmosphere.
- 3. Electronics:** 120/277 VAC dual voltage input with surge-protected, solid-state circuitry. HC85P uses a temperature compensating charger. Charging system is complete with low voltage disconnect, AC lockout, brownout protection, AC indicator lamp and test switch.
- 4. Battery:** Maintenance free, sealed nickel cadmium battery has an estimated service life of 10 years, and an operating temperature range of 20°F (-7°C) to 95°F (35°C). HC85P uses a pure lead battery.
- 5. Input Power Requirements:** 120 VAC - 0.50 amps, 60 watts
277 VAC - 0.22 amps, 60 watts

Code Compliance

UL 924, 844, 1203 and 1604 listed.

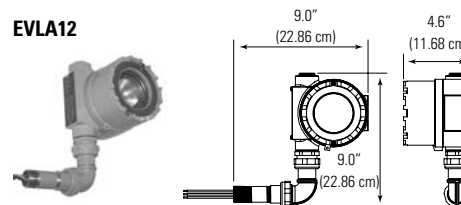
Options

- T1** = 120 VAC Time Delay
T2 = 277 VAC Time Delay
DC = DC Power Switch
ST = Special Input Transformer (Specify voltage & frequency)
KL = Key Lock

Accessories

- OB3** = 3-way explosion proof 3/4" conduit hub
SEA = Swivel elbow arm for use with pendant mount fixture to connect to
OB3 or HC unit
EVL12 = 12 Volt, 12 Watt Halogen Directional Head

EVL12



Job Information

Type:

Job Name:

Cat. No.:

Lamp(s):

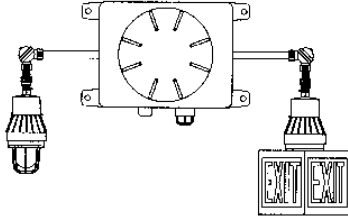
Notes:

631 Airport Road, Fall River, MA 02720 • (508) 679-8131 • Fax (508) 674-4710
We reserve the right to change details of design, materials and finish.
www.lightolier.com © 2008 Philips Group • E0308

Sample Application

The sample application below consists of:

- (1) HC14N - 14 watt power pack for exclusive use with compact fluorescent fixtures
- (2) SEA - Elbow arms
- (1) FPHFP7 - 7 watt compact fluorescent lamp fixture (operates in AC and emergency mode) See F Series Spec Sheet.
- (1) FPHFP7EFK - 7 watt compact fluorescent lamp fixture with exit accessory (operates in AC and emergency mode) See F Series Spec Sheet.



Unit Battery Capacity

DC Voltage	Unit	Watts to 87½ of Rated Voltage*			
		1½ hrs.	2 hrs.	4 hrs.	8 hrs.
6	HC14N	14	10.5	6.75	—
	HC28N	28	22.5	14.4	—
	HC85P	85	63.75	40.8	14.5
12	HC50N	50	37.5	24	8.5

* Per NEC Specifications

Job Information

Type:

631 Airport Road, Fall River, MA 02720 • (508) 679-8131 • Fax (508) 674-4710
 We reserve the right to change details of design, materials and finish.
www.lightolier.com © 2008 Philips Group • E0308