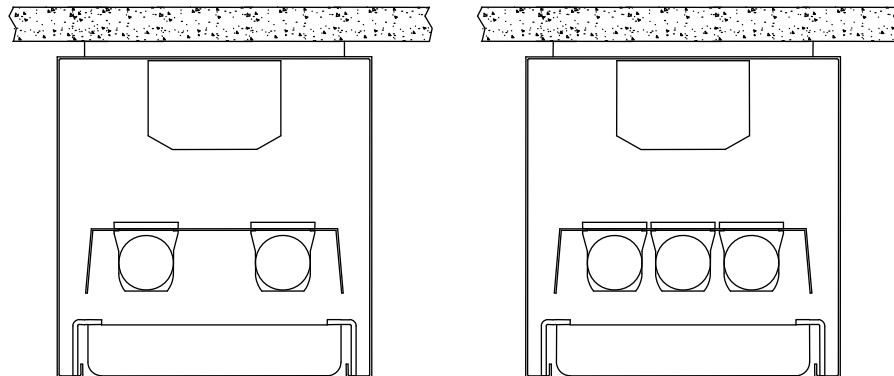


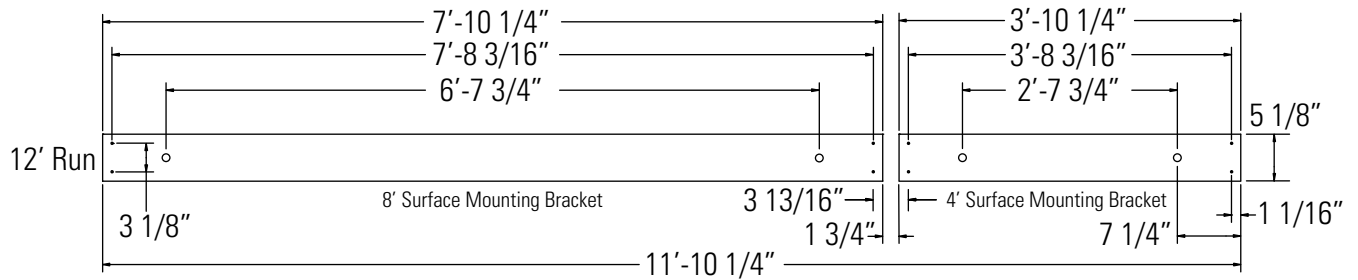
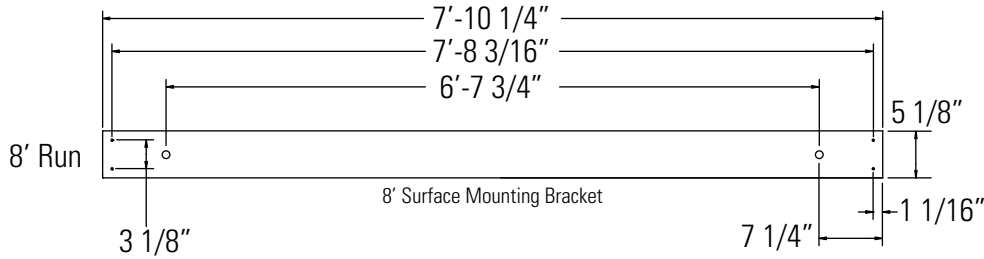
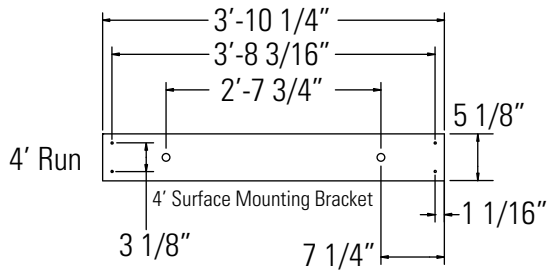
READ AND UNDERSTAND THESE INSTRUCTIONS BEFORE PROCEEDING.  
RETAIN THESE INSTRUCTIONS FOR MAINTENANCE REFERENCE.

This fixture is intended for installation in accordance with the National Electrical Code and local regulations. To assure full compliance with local codes and regulations, check with your local electrical inspector before installation. To prevent electrical shock, turn off electricity at electrical panel before proceeding.

DO NOT INSTALL THIS SYSTEM IN A WET OR DAMP LOCATION.  
DO NOT ENERGIZE ANYTHING OTHER THAN THE FIXTURES IN THE SYSTEM.

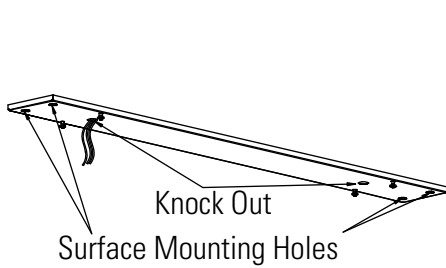
CONTRACTOR IS RESPONSIBLE FOR ADEQUATELY REINFORCING CEILING TO SUPPORT FIXTURE WEIGHT.



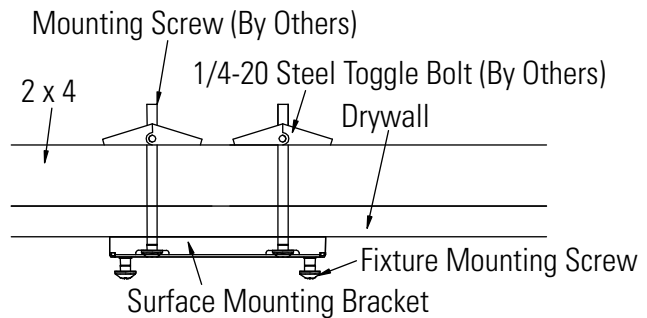


**Step 1. Installing the Surface Mounting Bracket**

- A. Mark off the locations and drill the required holes for mounting the surface bracket with toggle bolts. (See first page for mounting locations). (Note: Make sure J-Box is located directly above one knock out.)
- B. Remove the knock out and fish the wires from J-Box through the hole on the surface-mounting bracket. (Fig. 1)
- C. Mount the surface bracket to the ceiling using toggle bolts going through the ceiling and a 2x4 cross beam. (Fig. 2)
- D. Mount the remaining surface-mounting brackets for each additional fixture in the run.



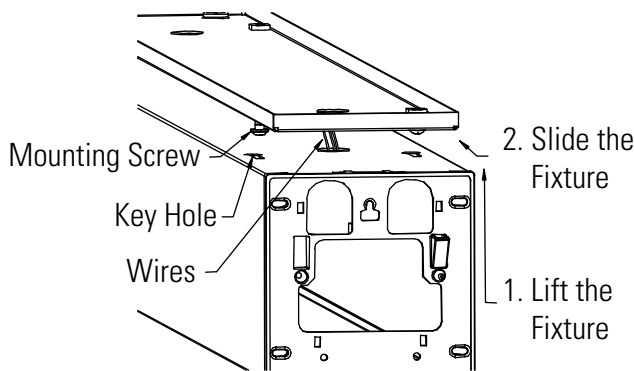
**Figure 1**



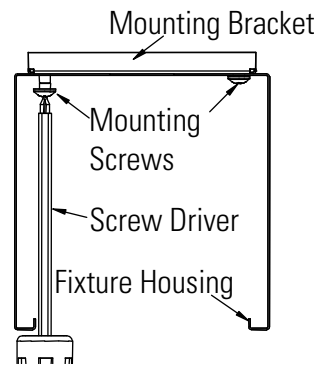
**Figure 2**

**Step 2. Installing the First Fixture**

- A. Fish the wires from the mounting plate into the fixture and make required connections. (Fig. 3)
- B. Lift the fixture so the mounting screws go into the keyhole on the fixture. (Fig. 3)
- C. Slide the fixture in the direction of the keyhole until it stops. (Fig. 3)
- D. Tighten the mounting screws. (Fig. 4)



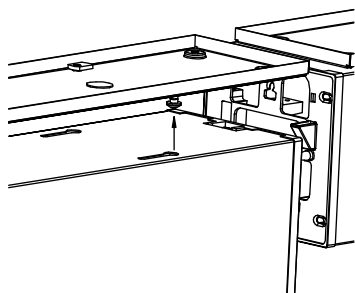
**Figure 3**



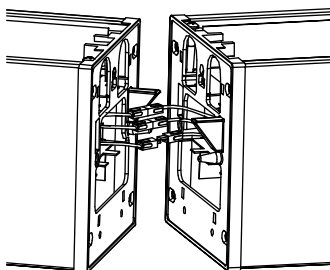
**Figure 4**

### Step 3. Installing the Remaining Fixtures

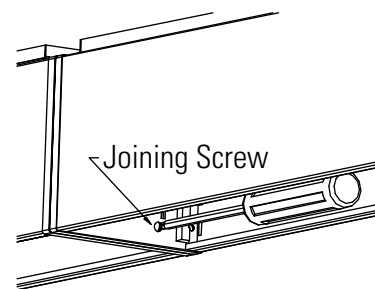
- A. Lift the fixture so that the mounting screws go into the keyhole. Note that the fixture will only slide in one direction, so the fixture might have to be rotated to get the screws in the keyhole. (Fig. 5)
- B. Connect the wires between the fixtures. (Fig. 6)
- C. Slide the fixture into the previous fixture. (Fig. 7)
- D. Tighten the joining screws. (Fig. 7)



**Figure 5**



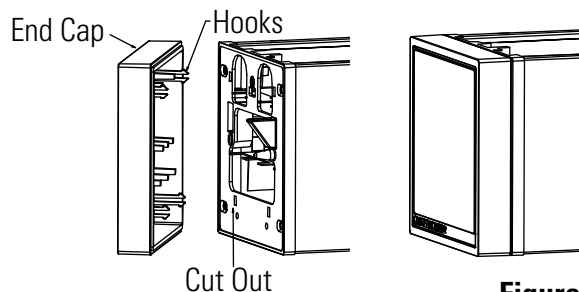
**Figure 6**



**Figure 7**

### Step 4. Installing End Caps

- A. Snap an end cap on each end of the run by inserting the hooks on the end cap into the cutout on the fixture's end casting. (Fig. 8)



**Figure 8**