



EssentialWhite™
LED lighting for everyday
applications

Long lifetime
Low power consumption
Familiar form factor

ESSENTIALWHITE SERIES

The LED lamp replacement
for MR16 fixtures*

Energy efficient, compact LED lamp

eW™ MR is a compact LED lamp designed to fit into MR16 fixtures* and sockets.

Features

- High intensity LED package and customized optics for efficient and even distribution of light
- Two beam angle variations for wide variety of spot and narrow flood applications

Specifications

- 2700K or 4200K color temperature
- 10° or 25° beam angles
- Compatible with MR16 (GU5.3) base*
- 50,000 hour lifetime†

Power connections

- Standard MR16 bi-pin connectors
- 5.5W power consumption
- Compatible with magnetic low-voltage (12 VAC) transformers

(*, † See back page for footnotes)

PHILIPS
sense and simplicity

The eW MR fixture is well suited for use with tracks, rails, cables, and pendants in interior architectural, retail, exhibit, and display applications.

The 4200K color temperature version of the eW MR fixture is used to generate the following renderings and point-to-point calculations for a typical display application.

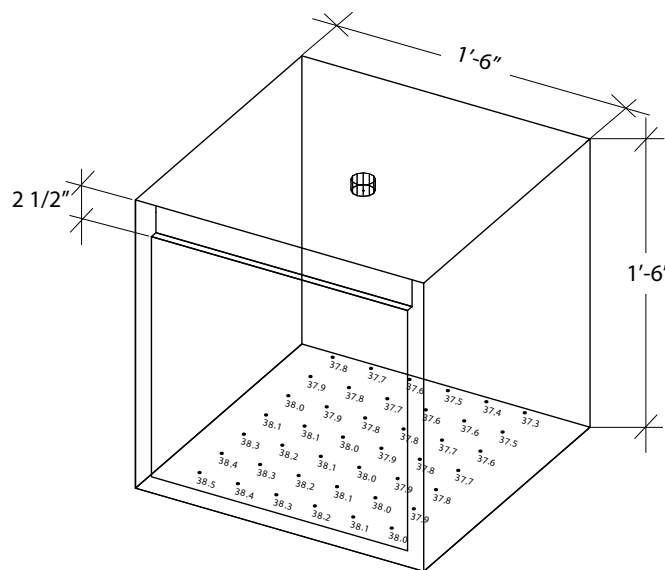
Application Rendering

Rendering of a display application using the eW MR fixture.



Isometric View

Below is an isometric wireframe view of the display case with dimensions featured in the rendering to the left. The point-to-point values are shown on the bottom of the case and spaced at 3" on center.



Ordering, Electrical and Technical Data

Product Number	Beam Angle	Color Temp. (Kelvin)
218511	10°	2700 K
218529	10°	4200 K
218545	25°	2700 K
218552	25°	4200 K

Above specifications subject to change without notice

Footnotes from front:

* Fits most standard, low-voltage MRI 6 light fixtures with a GU5.3 base.
See website for compatibility guidelines.

† Based on LED manufacturers' test data.



© 2008 Philips Lighting Company. All rights reserved.
eW and EssentialWhite are trademarks of Philips Electronics N.A. in the U.S. and other countries.

Printed in USA 4/08

P-5934

www.philips.com

Philips Lighting Company
200 Franklin Square Drive
P.O. Box 6800
Somerset, NJ 08875-6800
1-800-555-0050

A Division of Philips Electronics North America Corporation

Philips Lighting
281 Hillmount Road
Markham, Ontario
Canada L6C 2S3
1-800-555-0050

A Division of Philips Electronics Ltd.