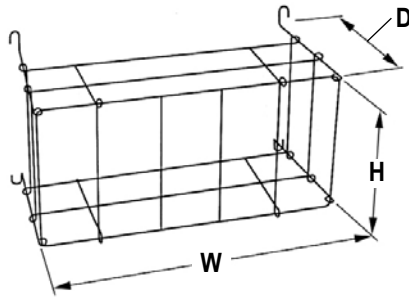
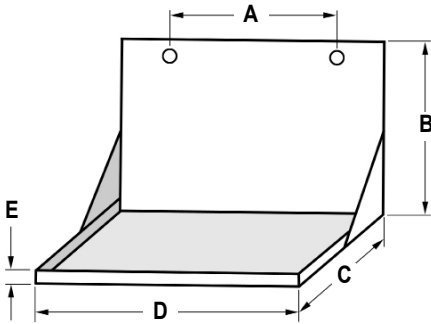


Wire Guards



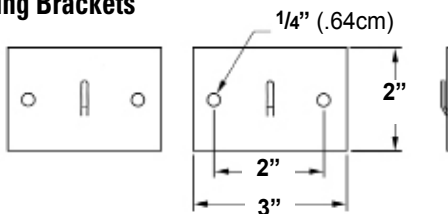
| Model No. | Application | Dimensions | | | Weight |
|-----------|--|---------------|------------------|-----------------|-------------------|
| | | H | W | D | |
| MJPG1 | Emergency Lighting Units MJ2(6V), MJ4 | 15" 38.1cm | 173/4" 45cm | 61/4" 15.9cm | 2 lbs. (.91kg) |
| MJPG2 | Emergency Lighting Units MJ2(12V) | 21" 53.3cm | 231/2" 59.7cm | 12" 30.5cm | 5 lbs. (2.3kg) |
| MJPG5 | Emergency Lighting Units MJ1 | 16" 40.6cm | 16" 40.6cm | 9" 22.9cm | 3 lbs. (1.4kg) |
| MJPG6 | Single Remote Lighting Heads | 8" 20.3cm | 8" 20.3cm | 8" 20.3cm | 1 lbs. (.45kg) |
| MJPG7 | Double Remote Lighting Heads | 8" 20.3cm | 16" 40.6cm | 8" 20.3cm | 2 lbs. (.91kg) |
| MJPG8 | Emergency Lighting Units MJ7 (Wall Mount), MJ8 (Wall Mount) | 13" 33cm | 13" 33cm | 4" 10.1cm | 3 lbs. (1.4kg) |
| MJPG9 | Exit Signs MJ5 (Wall Mount), MJ6 (Wall Mount) | 14" 35.6 | 17" 43.2cm | 4" 10.1cm | 3 lbs. (1.4kg) |
| MJPG10 | Exit Signs MJ5 (Wall Mount Combo), MJ6 (Wall Mount Combo) | 16" 40.6cm | 26" 66cm | 7" 17.8cm | 5 lbs. (2.3kg) |

Mounting Shelves



| Model Number | Application | Dimensions | | | | | Weight |
|--------------|-------------------|-----------------|----------------|-----------------|------------------|---------------|-------------------|
| | | A | B | C | D | E | |
| MJS1 | MJ2 (25w & 30w) | 51/4" 13.3cm | 101/4" 26cm | 41/2" 10.8cm | 91/4" 23.5cm | 1/2" 1.3cm | 1 lb. (.45kg) |
| MJS2 | MJ1, MJ2 (50w) | 101/4" 26cm | 101/4" 26cm | 41/2" 10.8cm | 121/4" 31.1cm | 1/2" 1.3cm | 2 lbs. (.91kg) |
| MJS3 | MJ2 (72w & 100w) | 81/4" 21cm | 101/4" 26cm | 51/2" 14cm | 121/4" 31.1cm | 1/2" 1.3cm | 2 lbs. (.91kg) |
| MJS6 | MJ2 (125w & 250w) | 12" 30.5cm | 101/4" 26cm | 51/2" 14cm | 19 48.3cm | 1/2" 1.3cm | 4 lbs. (1.8kg) |

Mounting Brackets



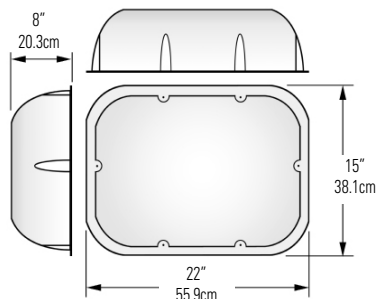
| Model Number | Application | Weight |
|--------------|-------------|--------------------|
| MJB1* | MJ1, MJ2 | 1/2 lb. (.23kg) |

* Provides both brackets required to mount unit.

| Job Information | Type: |
|------------------|-------|
| Job Name: | |
| Cat. No.: | |
| Lamp(s): | |
| Notes: | |

631 Airport Road, Fall River, MA 02720 • (508) 679-8131 • Fax (508) 674-4710
 We reserve the right to change details of design, materials and finish.
 www.lightolier.com © 2008 Philips Group • D0808

Vandal Shields



| Model No. | Series |
|---------------------|-------------------|
| MJVERS | MJ1, Remote Heads |
| MJVERS4X (gasketed) | MJ1, Remote Heads |

Single Remote Lighting Heads



- White (W), Black (B), Gray (G)
- Metal construction
- 6 and 12 volt
- Single gang switch box mounting
- Bi-pin halogen 12 watt lamps

| Model No. | Voltage | Color |
|-----------|---------|-------|
| MJ1H12MHB | 6 | Black |
| MJ1H12MHG | 6 | Gray |
| MJ1H12MHW | 6 | White |
| MJ2H12MHB | 12 | Black |
| MJ2H12MHG | 12 | Gray |
| MJ2H12MHW | 12 | White |

Double Remote Lighting Heads



- White (W), Black (B), Gray (G)
- Metal construction
- 6 and 12 volt
- Single gang switch box mounting
- Bi-pin halogen 12 watt lamps

| Model No. | Voltage | Color |
|------------|---------|-------|
| MJD1H12MHB | 6 | Black |
| MJD1H12MHG | 6 | Gray |
| MJD1H12MHW | 6 | White |
| MJD2H12MHB | 12 | Black |
| MJD2H12MHG | 12 | Gray |
| MJD2H12MHW | 12 | White |

Job Information

Type:

631 Airport Road, Fall River, MA 02720 • (508) 679-8131 • Fax (508) 674-4710
 We reserve the right to change details of design, materials and finish.
www.lightolier.com © 2008 Philips Group • D0808