

VR PARABOLIC VRA2G9LS26U

Page 1 of 2

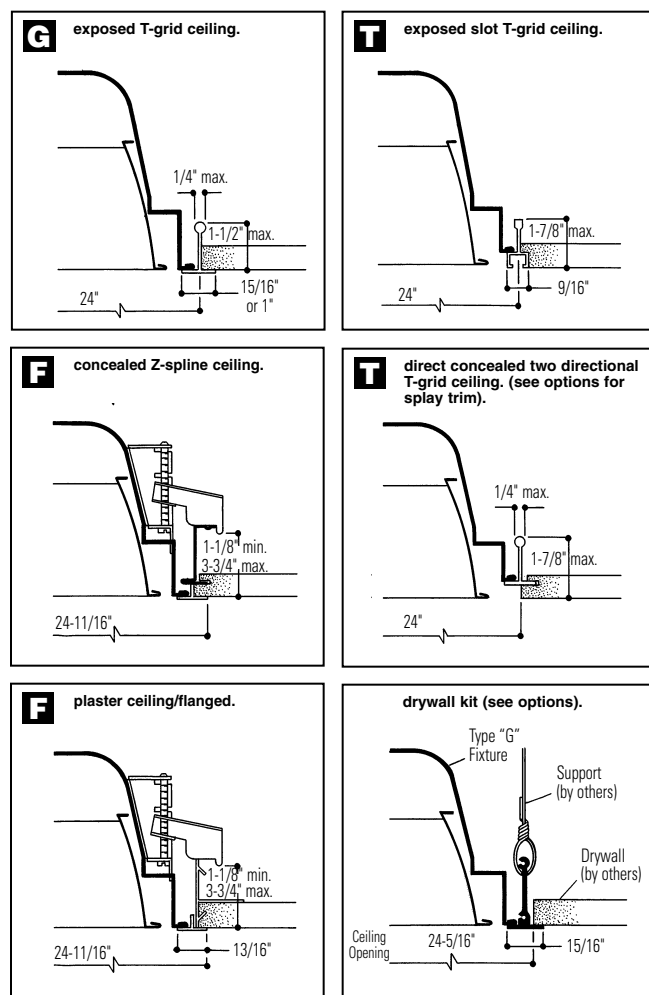
2'x2' RECESSED FLUORESCENT, 4" DEEP, 9 CELL (3x3) PARABOLIC LOUVER
AIR SUPPLY/RETURN/HEAT EXTRACTION, IES RP1 FOR NORMAL VDT USE

Features

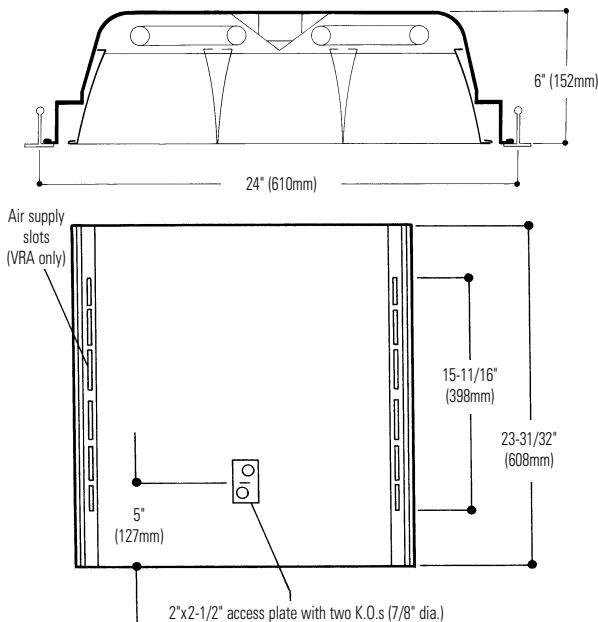
- Meets IES RP1 for lighting VDT areas with normal use.
- 57.1% efficient (T8).
- 1.3 spacing mounting ratio.
- Only 6" deep body.
- One-piece housing.
- Semi-specular low iridescence pre-anodized louver.
- Spring-loaded latches.
- Concealed "T" hinges.
- Louver frame with integral positive light stop.
- Earthquake clips included.
- Louver has protective film dust guard.
- Air closure strips (optional).
- Air flow pattern dampers (optional).
- UL-Listed twin knockout access plate.
- Construction to meet Chicago Plenum Code is available.



MOUNTING METHOD



DIMENSIONS



Job Information

Type:

Job Name:

Cat. No.:

Lamp(s):

Volts/Ballast:

Lightolier a Genlyte Thomas Company

www.lightolier.com

Technical Information: (978) 657-7600 • Fax (978) 658-0595

631 Airport Road, Fall River, MA 02720 • (508) 679-8131 • Fax (508) 674-4710

We reserve the right to change details of design, materials and finish.

© 2002 Genlyte Thomas Group LLC (Lightolier Division)

A0902

SECTION 2/Folio G05-40 REV. A

LIGHTOLIER®



VR PARABOLIC VRA2G9LS26U

2'x2' RECESSED FLUORESCENT, 4" DEEP, 9 CELL (3x3) PARABOLIC LOUVER AIR SUPPLY/RETURN/HEAT EXTRACTION, IES RP1 FOR NORMAL VDT USE

PHOTOMETRY

MODEL NO. VRA2G9LS26USO

LER = FP - 47.8 IW - 59.2 BF - 93.6

Comparative yearly lighting energy cost per 1000 lumens = \$5.02

coefficients of utilization — zonal cavity method (effective floor cavity reflectance 0.20)

RF	20			20			20			
RC	80			50			30			
RW	70	50	30	50	30	10	50	30	10	
room cavity ratio	1	64	62	60	58	57	56	56	55	54
	2	59	56	53	53	51	49	51	49	48
	3	55	50	47	48	45	43	47	44	42
	4	51	46	42	44	40	38	42	40	37
	5	48	41	37	40	36	33	39	36	33
	6	44	38	33	36	33	30	35	32	30
	7	42	34	30	33	29	27	32	29	27
	8	38	32	27	30	27	24	30	26	24
	9	36	29	25	28	24	22	28	24	22
	10	34	27	23	26	22	20	26	22	20

visual comfort probability (rated lumens per lamp 3150.)

room size		ceiling height				ceiling height			
W	L	8.5	10.0	13.0	16.0	8.5	10.0	13.0	16.0
20	20	91	85	77	77	92	90	85	76
20	30	92	87	81	77	92	90	88	81
20	40	92	89	84	80	92	90	88	84
20	60	92	89	86	82	92	91	88	84
30	20	91	85	81	78	92	91	87	77
30	30	92	88	84	78	92	91	89	81
30	40	92	89	87	81	92	91	89	83
30	60	92	89	88	83	92	91	89	84
30	80	93	90	88	83	92	90	89	84
40	20	91	85	81	81	92	91	87	79
40	30	92	88	84	81	92	91	89	83
40	40	92	89	87	83	92	91	89	85
40	60	93	90	88	85	93	90	89	84
40	80	93	90	88	85	93	90	89	84
40	100	93	90	88	85	93	90	89	84
60	30	92	83	84	81	92	91	89	83
60	40	93	90	87	83	92	90	89	84
60	60	93	90	88	85	93	90	89	84
60	80	93	90	88	85	93	90	89	83
60	100	93	90	88	85	93	90	89	83
100	40	93	90	87	83	93	90	89	84
100	60	93	90	88	85	93	90	89	83
100	80	93	90	88	85	93	90	89	84
100	100	93	90	88	85	93	90	89	84

REPORT NUMBER: ITL42446 **DATE:** 05-07-94
PREPARED FOR: LIGHTOLIER
CATALOG NUMBER: VRA2G9LS26U120SO
LUMINAIRE: FABRICATED METAL HOUSING, WHITE PAINTED INTERIOR FINISH, FABRICATED SEMI-SPECULAR PARABOLIC 9-CELL LOUVER
LAMPS: TWO 31-WATT FB175/T1/41.6 U-LAMP FLUORESCENTS, EACH RATED 2650 LUMENS, HORIZONTAL POSITION.
BALLAST: MAGNETEK TRIED B221120MH, BALLAST FACTOR = 93.6%
MOUNTING: RECESSED
TOTAL INPUT WATTS: 59.2 AT 120.0 VOLTS
THE 0 DEGREE PLANE IS OPPOSITE THE SOCKETS.

CANDELA DISTRIBUTION

0	0	22.5	45.0	67.5	90.0	FLUX
0	1521	1521	1521	1521	1521	144
5	1516	1518	1517	1515	1514	406
15	1446	1447	1448	1415	1422	549
25	1170	1310	1258	1238	1245	729
35	1142	1103	1088	1226	1315	750
45	911	874	981	1097	1308	359
55	560	506	467	248	182	4
65	45	48	31	17	17	4
75	10	9	6	4	4	6
85	1	0	0	0	0	0
90	0	0	0	0	0	0

ZONAL LUMEN SUMMARY

ZONE	LUMENS	%LAMP	%FIXT
0-30	1139	21.5	37.7
0-45	1869	35.1	61.8
0-60	2977	56.2	98.4
0-90	3025	57.1	100.0
90-180	0	0.0	0.0
0-180	3025	57.1	100.0

TOTAL LUMINAIRE EFFICIENCY = 57.1 %
TOTAL REFLECTANCE OF PAINT = 92.9 %

CIE TYPE - DIRECT
PLANE : 0-DEG 90-DEG
SPACING CRITERIA : 1.2 1.3
SHIELDING ANGLES : 29 33
PLANE : 0-DEG 90-DEG
LUMINOUS LENGTH : 21.500 21.500

LUMINANCE DATA IN CANDELA/SQ M

ANGLE IN DEG	AVERAGE	AVERAGE	AVERAGE
0-DEG	4318.	4650.	5252.
45	3272.	2729.	1064.
65	357.	246.	135.
75	130.	78.	52.
85	38.	0.	0.

ORDERING INFORMATION

Explanation of Catalog Number. Example: VRA2G9LS26U120SOGLR

VR	2	9	S	2	6U			
VR: 4" Deep Pre-anodized Aluminum Louver For Normal VDT Use	BODY STYLE: A=Air Handling S=Static	FIXTURE WIDTH	CEILING TYPE: G= Grid (lay-in T bar) F=Flanged (overlap) Z spline and plaster frame T=Slot grid or two-directional concealed T (see options)	LOUVER FINISH*: L=Low Iridescence Semi-specular (standard) P=Low Iridescence Specular	SINGLE "V" REFLECTOR	LAMP QUANTITY	VOLTAGE: 120 or 277	OPTIONS: Add appropriate suffix to catalog no. ie: (GLR) LE <20THD <10THD SO* HI* PS -
								BALLAST TYPE: no. ie: (GLR) 1-2 Lamp Mag. T12 1-2 Lamp Elec. T8 LOL T8 Dimming *Instant Start Standard

Other dimming options consult factory.

OPTIONS & ACCESSORIES

PLASTER FRAME: Catalog Number: PF22.

CONTINUOUS ROW INSTALLATION: For F type fixtures, half-width flanges are required between fixtures, Order Catalog Number: **S2FCTRIM** (each joint).

SPLAY TRIM: For T ceiling type only. SUFFIX: **CT22 S2 SPLAY TRIM**.

RADIO INTERFERENCE FILTER: 120 or 277 volt, 50 or 60 Hz. One per fixture standard. SUFFIX: **RF**.

ELECTRICAL WIRING OPTIONS: Consult factory.

AIR CLOSURE STRIPS: SUFFIX **ACS2** (factory installed).

DRYWALL KIT: Order Catalog Number: **FK92X2**. (Request Folio OA30-10.)

CHICAGO PLENUM: SUFFIX: **CP**.

SPECIFICATIONS

PERFORMANCE: In an installation of 2 lamp 31W luminaires in a room cavity type of 1, reflectance 80% ceiling, 50% wall, 20% floor, the C.U. shall not be less than .62 with a spacing to mounting ratio of 1.3 perpendicular to the lamps. To meet IES RP1 preferred requirements for VDT areas the VCP (visual comfort probability) shall not be less than 93 either crosswise or lengthwise and the maximum average brightness at 65°, 75° and 85° shall not exceed 357, 130, and 38 candelas per square meter respectively in the 0°, 45°, and 90° horizontal planes. Candelas at Nadir (0°) not to exceed 1521.

SPECIFICATIONS (continued)

AIR HANDLING: (VRA only) side air passages for air supply or air return. Optional side closure strips. Air return is also provided through the lamp compartment through fixture body ends.

MATERIALS: Chassis parts are die-formed code gauge cold rolled steel.

Housing side rails hemmed over and housing ends turned-in for safe handling.

LOUVER: Pre-anodized aluminum (Coilzak® or equal).

FINISH: Chassis exterior—black baked polyester enamel. Cavity—white baked polyester enamel minimum 86% reflectance. Phosphate undercoating.

Louver—low iridescence semi-specular anodized vertical grain aluminum reflector sheet is standard.

ELECTRICAL: Thermally protected class "P" ballast C.B.M. approved, non PCB. If K.O. is within 3" of ballast, use wire suitable for at least 90°.

LABELS: I.B.E.W./UL and C-UL.

Job Information	Type:
------------------------	--------------

Lightolier a Genlyte Thomas Company www.lightolier.com
Technical Information: (978) 657-7600 • Fax (978) 658-0595
631 Airport Road, Fall River, MA 02720 • (508) 679-8131 • Fax (508) 674-4710
We reserve the right to change details of design, materials and finish.
© 2002 Genlyte Thomas Group LLC (Lightolier Division)
A0902 **SECTION 2/Folio G05-40 REV. A**

LIGHTOLIER