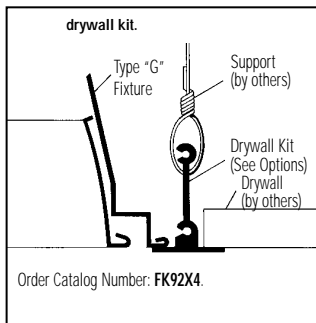
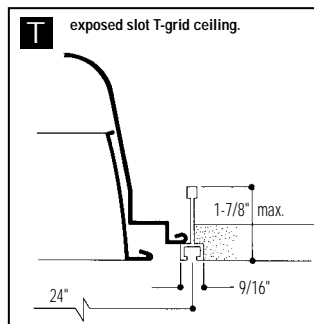
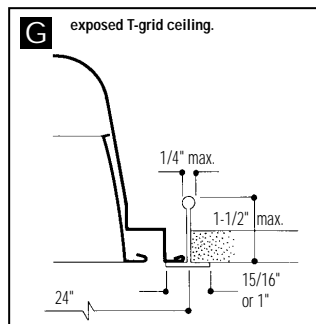


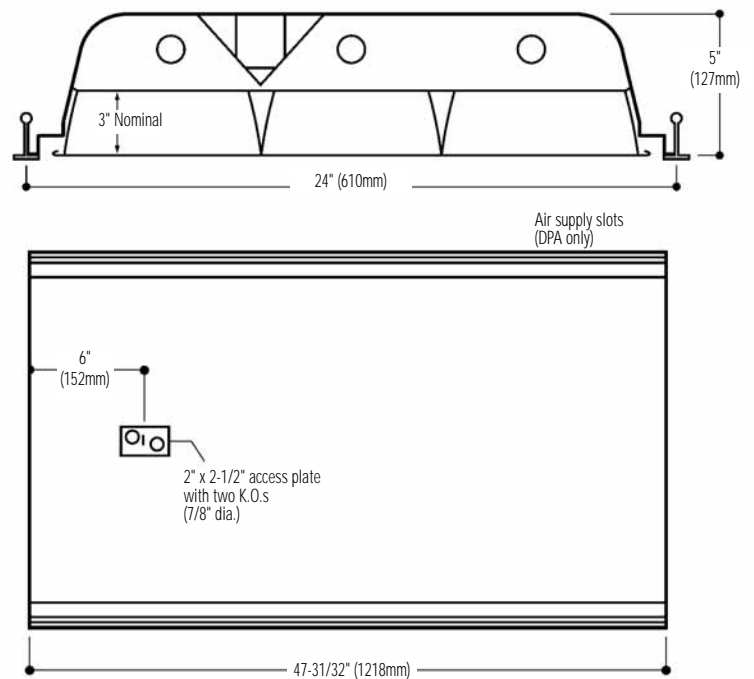
- UL Listed Type IC Recessed Luminaire (Intended for Direct Thermal Insulation Contact).
- Construction provides optimum thermal performance.
- Ballast mounted with thermal heat sink.
- Ideal for fire rated ceilings.
- One piece housing.
- Black exterior for cooler ballast operating temperature.
- 5" deep body.
- 77.7% efficient (3 light 18 cell)
- Hemmed over side rails for maximum safety.
- Fixture ends turned-in for safe handling.
- Built-in earthquake clips (patent no. 5,072,344).
- Pre-anodized aluminum parabolic louver.
- Spring loaded rooster head latches.
- 18 gauge steel hinges.
- Louver has protective film dust guard.
- Vertical grain louver eliminates reflected lamp images on cross baffle.
- Construction to meet NYC Code or Chicago Plenum requirements is available.



Mounting Methods



Dimensions



Job Information

Type:

Job Name:

Cat. No.:

Lamp(s):

Volts/Ballast:

For Factory Technical Information: (978) 657-7600 • Fax (978) 658-0595
631 Airport Road, Fall River, MA 02720 • (508) 679-8131 • Fax (508) 674-4710
We reserve the right to change details of design, materials and finish.
www.lightolier.com © 2008 a Philips Group

08/08

SECTION 7/Folio Q80-25

2' x 4' Recessed Fluorescent, 3" 12, 18, 24 or 32 Cell Parabolic Louver Static, 2,3 or 4 Lamp, T8

Model No. ICS2G12LS232120SO

LER = FP - 65.5 IW - 61.6 BF - 0.87
 Comparative yearly lighting energy cost per 1000 lumens = \$3.67

Report Number: ITL49787
 Catalog Number: ICS2G12LS232120SO
 Lamp: (2) F32 T8
 Luminaire: IC 2' X 4' Troffer with 2X6 Semi-Specular Louver
 Ballast: M3-RN-T81LL-D-120
 Report is based on 2850 Lumens per lamp.
 Efficiency: 80.0%
 CIE Type-Direct-Indirect
 Plane: 0-Deg 90-Deg
 Spacing Criteria: 1.3 1.6
 Shielding Angles: 25 29
 Plane: 0-Deg 90-Deg
 Luminous Length: 45.125 21.000

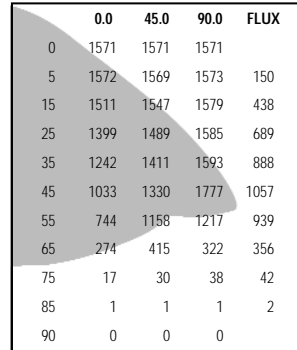
COEFFICIENTS OF UTILIZATION – ZONAL CAVITY METHOD. EFFECTIVE FLOOR CAVITY REFLECTANCE 0.20

RC	80	50	30	10	50	30	10
1	89	85	83	80	78	76	77
2	81	76	71	68	64	69	66
3	74	67	61	63	59	55	61
4	68	59	53	56	51	47	55
5	63	53	46	50	45	40	49
6	58	48	41	45	40	35	44
7	53	43	36	41	35	31	40
8	50	39	32	37	32	28	36
9	46	36	29	34	29	25	33
10	43	33	27	32	26	22	31

LUMINANCE DATA IN CANDELA/SQ. METER

AVERAGE IN DEG.	AVERAGE 0-DEG.	AVERAGE 45-DEG.	AVERAGE 90-DEG.
45	2389.	3075.	4109.
55	2121.	3301.	3469.
65	1060.	1606.	1246.
75	107.	190.	240.
85	19.	19.	19.

CANDELA DISTRIBUTION



TYPICAL V.C.P.'s

Room Size	Mounting Height	
	Lengthwise	Crosswise
	0 Deg Plane	90 Deg Plane
	8.5 10 13 16	8.5 10 13 16
30x30	86 81 75 73	84 77 71 71
40x40	86 85 80 74	84 81 76 71
60x30	86 84 79 75	84 79 76 74
60x60	86 85 84 78	84 80 80 75
100x100	86 85 84 81	84 80 80 77

ZONAL LUMEN SUMMARY

ZONE	LUMENS	% LAMP	% FIXT
0- 30	1277	22.4	28.0
0- 40	2165	38.0	47.5
0- 60	4161	73.0	91.2
0- 90	4561	80.0	100.0
90-180	0	0.0	0.0
0-180	4561	80.0	100.0

Model No. ICS2G18LS33212003

LER = FP - 68.8 IW - 85.8 BF - 0.89
 Comparative yearly lighting energy cost per 1000 lumens = \$3.49

Report Number: ITL49576
 Catalog Number: ICS2G18LS33212003
 Lamp: (3) F32 T8
 Luminaire: IC 2' X 4' Troffer with 3X6 Semi-Specular Louver
 Ballast: M3-RN-T81LL-120
 Report is based on 2850 Lumens per lamp.
 Efficiency: 77.6%
 CIE Type-Direct-Indirect
 Plane: 0-Deg 90-Deg
 Spacing Criteria: 1.2 1.6
 Shielding Angles: 18 38
 Plane: 0-Deg 90-Deg
 Luminous Length: 45.125 21.000

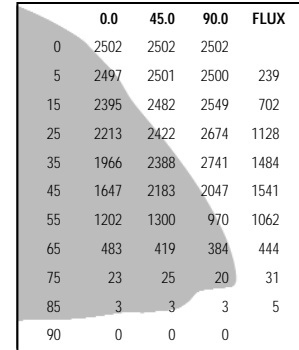
COEFFICIENTS OF UTILIZATION – ZONAL CAVITY METHOD. EFFECTIVE FLOOR CAVITY REFLECTANCE 0.20

RC	80	50	30	10	50	30	10
1	86	83	81	78	76	75	74
2	80	74	70	70	67	64	68
3	73	66	61	63	58	55	61
4	67	59	53	56	51	47	54
5	62	53	47	51	45	41	49
6	57	48	41	46	40	36	45
7	53	43	37	42	36	32	41
8	50	40	33	38	33	29	37
9	46	36	30	35	30	26	34
10	43	33	28	32	27	23	32

LUMINANCE DATA IN CANDELA/SQ. METER

AVERAGE IN DEG.	AVERAGE 0-DEG.	AVERAGE 45-DEG.	AVERAGE 90-DEG.
45	3808.	5048.	4733.
55	3427.	3706.	2765.
65	1869.	1621.	1486.
75	145.	158.	126.
85	56.	56.	56.

CANDELA DISTRIBUTION



TYPICAL V.C.P.'s

Room Size	Mounting Height	
	Lengthwise	Crosswise
	0 Deg Plane	90 Deg Plane
	8.5 10 13 16	8.5 10 13 16
30x30	83 77 69 65	85 80 74 69
40x40	85 80 76 68	85 82 79 71
60x30	83 78 74 69	85 81 78 71
60x60	85 81 81 73	85 82 83 76
100x100	85 81 81 75	85 82 83 77

ZONAL LUMEN SUMMARY

ZONE	LUMENS	% LAMP	% FIXT
0- 30	2068	24.2	31.2
0- 40	3552	41.5	53.5
0- 60	6155	72.0	92.8
0- 90	6634	77.6	100.0
90-180	0	0.0	0.0
0-180	6634	77.6	100.0

Ordering Information

Explanation of Catalog Number. Example: ICS2G12LS232120UNVHI

IC	S	2				S							Options:
IC Series: Recessed Parabolic suitable for Thermal Insulation Contact	Body Style: S=Static	Fixture Width	Ceiling Type: G= Grid (lay-in T bar) T= Slot grid	Number of Cells: 12=2 rows of 6 18=3 rows of 6 24=3 rows of 8 32=4 rows of 8	Louver Finish: L = Low Irrescence Semi-specular (standard) P = Low Irrescence Specular W = White Baked Enamel	Single "V" Reflector	Lamp Quantity 2=2 lamps 3=3 lamps 4=4 lamps	Lamp Type/ Fixture Length: 32=32W T8 (Nominal 48")	Voltage: 120, 277 or UNV=120-277	Ballast Type: <20THD <10THD			Lamps Flex EM Pack Fuse (Consult your representative)
Standard IC Parabolic													
For NYC Code – I.B.E.W. Manufactured													
For NYC Code – Local 3 Manufactured 5/2" Deep Body													

*Instant Start Standard
 †Instant Start (120, 277 or UNV)
 ††Program Rapid Start (UNV only)
NOTE:
 For T8 UNV, you must use HI Ballast Code.

Options/Accessories

Plaster Frame: Catalog Number: PF24.

Radio Interference Filter: To order one RIF per fixture: SUFFIX: R.
 To order one RIF per ballast: SUFFIX: B.

Fusing: Internal fast-blow fusing. SUFFIX: A. Internal slow-blow fusing. SUFFIX: C.

Electrical Wiring Options: Consult factory.

Drywall Kit: Order Catalog Number: FK92X4. (Request Folio OA30-10 Rev. A).

Chicago Plenum: SUFFIX: C.

Specifications

Performance: In an installation of 2 lamp 32W luminaires in a room cavity ratio of 1, reflectance 80% ceiling, 50% wall, 20% floor, the C.U. shall not be less than .85. To prevent glare the VCP shall be not less than 75 either lengthwise or crosswise (at 100fc level) and the average brightness at 65" shall not exceed 1606 candelas per square meter. To control veiling reflections, luminaire output in the 30°-90° zone shall not be less than 72.0%.
Materials: Chassis parts are die-formed code gauge cold rolled steel. Housing is ribbed for rigidity with side rails hemmed over and housing ends turned-in for safe handling. Louver is pre-anodized aluminum.

Specifications (continued)

Finish: Chassis exterior—black baked polyester enamel. Cavity—white baked polyester enamel minimum 86% reflectance. Rust preventative undercoating. **Louwer**—low irriscence semi-specular anodized vertical grain aluminum reflector sheet is standard.

Electrical: Thermally protected class "P" ballast C.B.M. approved, non PCB. If K.O. is within 3" of ballast, use wire suitable for at least 90°.

Labels: I.B.E.W. UL and ULc Listed.

This product may have a mercury containing lamp. Manage in accord with Disposal Laws.

See: www.lamprecycle.org

Job Information

Type:

For Factory Technical Information: (978) 657-7600 • Fax (978) 658-0595
 631 Airport Road, Fall River, MA 02720 • (508) 679-8131 • Fax (508) 674-4710
 We reserve the right to change details of design, materials and finish.
 www.lightolier.com © 2008 a Philips Group

SECTION 7/Folio Q80-25