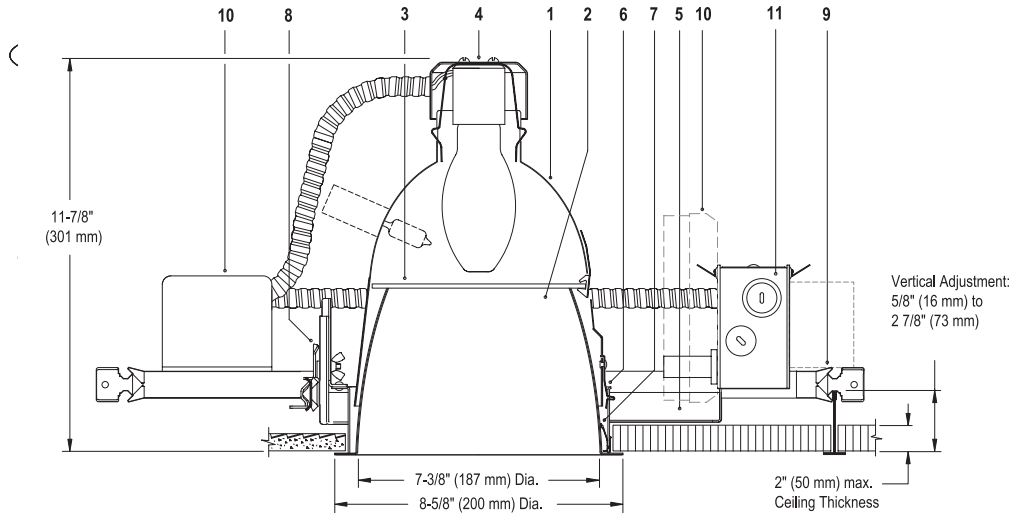
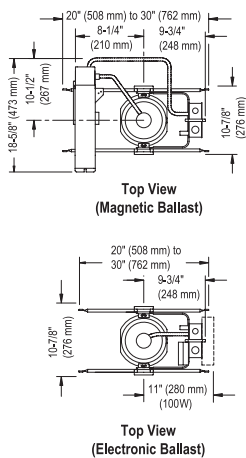




Calculite® HID Downlight C7E17VW

7" Aperture, ED17 (Enclosed), Ceramic Metal Halide, Wide Beam



Ceiling Cutout: 8" (203 mm) Dia.

| Reflector Trim | Frame-In Kit | Lamp (Coated, Ceramic MH) |
|----------------|--------------|----------------------------|
| C7E17VW CLW | C770MHE1 | 70W ED17, BD17 (Enclosed) |
| CLP | C770MHE2 | 70W ED17, BD17 (Enclosed) |
| CCDW | C710MHE1 | 100W ED17, BD17 (Enclosed) |
| CCDP | C710MHE2 | 100W ED17, BD17 (Enclosed) |
| CCZW | C770MHU | 70W ED17, BD17 (Enclosed) |
| CCZP | C710MHU | 100W ED17, BD17 (Enclosed) |

Features

- Upper Reflector:** Clear anodized aluminum, 0.040" (16-ga.). Provides wide beam distribution.
- Aperture Cone:** Provides 50° visual cut-off to lamp and lamp image; self-flange in painted white or aperture-matching polished flange. Consult factory for other finishes.
- Lamp Guard:** High heat resistant glass as required by code.
- Socket Housing:** Galvanized steel, snaps onto upper reflector for secure attachment without tools; assures proper lamp alignment to optics for consistent performance.
- Mounting Frame:** 0.048" (18-ga.) galvanized steel includes pre-installed mounting bars.
- Mounting Ring:** 0.048" (18-ga.) galvanized steel. Designed for vertical adjustment from above or below for ceilings from 0" to 2" thick. Center-line notches allow consistent alignment of multiple fixtures.
- Retention Springs:** Rust resistant springs secure cone in place for quick, tool-less installation.
- Frame Vertical Adjustment Mechanism:** Vertical adjustment mechanism accommodates mounting to virtually any ceiling system using pre-installed mounting bars, or 1/2" EMT tubing (by others). Single locking feature secures all adjustments. Alignment holes and markings allow fixture to be pre-set prior to installation.
- Mounting Bars:** 0.048" (18-ga.) Pre-installed, telescoping bars extend to 30" long and lock securely into position. Built-in locking tabs provide positive attachment to common T-bar systems. Self-centering feature simplifies installation in 24" O.C. grid systems. Attaches to steel or wood joists without accessories.
- Ballast:** Electronic 120V or 277V. Magnetic dual voltage (120V & 277V). Accessible from below for inspection and/or replacement without tools.
- Junction Box:** 0.048" (18-ga.) galvanized steel. UL listed for 8 No. 12 AWG, 90°C through branch circuit conductors; allows inspection from below.
- Thermal Protector:** (Not Shown) Meets NEC and UL requirements. Do not install insulation above nor within 3" (76mm) of any part of the luminaire.

Electrical

Electronic Ballast: 120V or 277V, 50/60 Hz., enclosed, high-power factor, T.H.D. <15%, thermally and transient protected, RMI / RFI complies with FCC Part 18 non-consumer equipment, shut-down circuit at end of lamp life, sound rating "A", -5°F minimum starting temperature, Type 1 outdoor rating.

Electrical (cont)

| Ballast | ANSI Code | Voltage | Max. Amps | Input Watts |
|---------|-----------|---------|-----------|-------------|
| 70W MH | M98/M143 | 120/277 | 0.67/0.28 | 78 |
| 100W MH | M90/M140 | 120/277 | 0.90/0.43 | 110 |

Magnetic Ballast: 120/277V dual voltage, 60 Hz., enclosed and potted, HX-HPF circuit type, high power factor, sound rating "B", -20°F minimum starting temperature, Type 1 Outdoor rating.

| Ballast | ANSI Code | Voltage | Max. Amps | Input Watts |
|---------|-----------|---------|-----------|-------------|
| 70W MH | M98/M143 | 120/277 | 1.90/0.80 | 94 |
| 100W MH | M90/M140 | 120/277 | 2.40/1.10 | 125 |

Options and Accessories

Auxiliary: Add suffix **A** to Frame-In Kit and Reflector Trim. See Spec.Sheet "A".

Emergency Lamp: Add suffix **E** to Reflector Trim and Frame In Kit. See Spec.Sheet "E".

Slope Ceiling Adapters: See Specification Sheet SCA.

Fuse (magnetic ballast): Add suffix **F1** or **F2** to Frame In Kit (F1=120V, F2=277V)

Chicago Plenum: Consult Factory.

Labels

UL (Suitable for Damp Locations), CSA (magnetic ballast only), I.B.E.W. For 100W electronic, install fixtures with minimum spacing: 2 feet from center-to-center of adjacent luminaires; 1/2 inch from top of luminaire to overhead building member; 1 foot from luminaire center to side building member.

| Job Information | Type: |
|-----------------|-------|
| Job Name: | |
| Cat. No.: | |
| Lamp(s): | |
| Notes: | |

Lightolier a Genlyte Thomas Company www.lightolier.com
 631 Airport Road, Fall River, MA 02720 • (508) 679-8131 • Fax (508) 674-4710
 We reserve the right to change details of design, materials and finish.
 © 2004 Genlyte Thomas Group LLC (Lightolier Division) • A0504

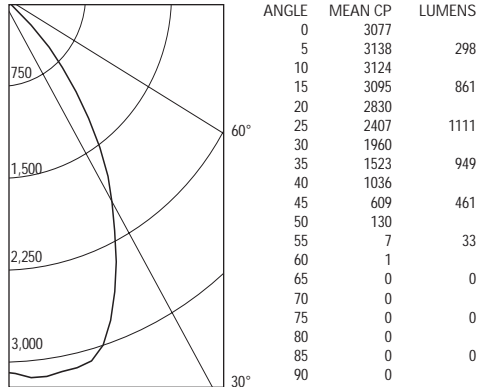
LIGHTOLIER®



Calculite® HID Downlight C7E17VW

70W ED17 (ENCLOSED) PHILIPS CMH, LUMEN RATING = 6000 LMS, AROMAT ELECTRONIC BALLAST, CL FINISH REFLECTOR TRIM

CANDLEPOWER DISTRIBUTION



LUMINANCE SUMMARY CD. / SQ. M.

| ANGLE | MEAN CD/SQ M |
|-------|--------------|
| 45 | 34796 |
| 55 | 475 |
| 65 | 0 |
| 75 | 0 |
| 85 | 0 |

Coefficients of Utilization

| CEILING | 80% | | | | 70% | | 50% | | 30% | | 0 |
|---------|--|-----|-----|-----|-----|-----|-----|-----|-----|-----|-----|
| | 70 | 50 | 30 | 10 | 50 | 10 | 50 | 10 | 50 | 10 | |
| WALL | Zonal Cavity Method - Effective Floor Cavity Reflectance = 20% | | | | | | | | | | |
| RCR | Zonal Cavity Method - Effective Floor Cavity Reflectance = 20% | | | | | | | | | | |
| 0 | .74 | .74 | .74 | .74 | .72 | .72 | .69 | .69 | .66 | .66 | .62 |
| 1 | .71 | .69 | .68 | .66 | .68 | .65 | .65 | .63 | .63 | .61 | .58 |
| 2 | .67 | .65 | .63 | .61 | .64 | .60 | .62 | .59 | .60 | .57 | .55 |
| 3 | .64 | .61 | .58 | .56 | .60 | .55 | .58 | .55 | .57 | .54 | .52 |
| 4 | .61 | .57 | .54 | .52 | .57 | .51 | .55 | .51 | .54 | .50 | .49 |
| 5 | .59 | .54 | .50 | .48 | .53 | .48 | .52 | .47 | .51 | .47 | .46 |
| 6 | .56 | .51 | .47 | .45 | .50 | .45 | .49 | .44 | .48 | .44 | .43 |
| 7 | .53 | .47 | .44 | .42 | .47 | .41 | .46 | .41 | .45 | .41 | .40 |
| 8 | .50 | .44 | .41 | .38 | .44 | .38 | .43 | .38 | .43 | .38 | .37 |
| 9 | .47 | .42 | .38 | .35 | .41 | .35 | .41 | .35 | .40 | .35 | .34 |
| 10 | .45 | .39 | .35 | .33 | .39 | .33 | .38 | .33 | .38 | .33 | .32 |

| ZONAL LUMENS AND PERCENTAGES | | | |
|------------------------------|--------|--------|-------------|
| ZONE | LUMENS | % LAMP | % LUMINAIRE |
| 0-30 | 2269 | 37.83 | 61.13 |
| 0-40 | 3218 | 53.64 | 86.69 |
| 0-60 | 3712 | 61.87 | 99.99 |
| 0-90 | 3712 | 61.88 | 100 |
| 40-90 | 494 | 8.24 | 13.31 |
| 60-90 | 0 | 0 | 0.01 |
| 90-180 | 0 | 0 | 0 |
| 0-180 | 3712 | 61.88 | 100 |

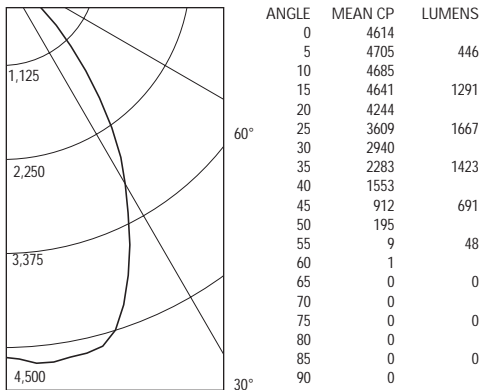
LUMINAIRE INPUT WATTS = 78.0

** EFFICIENCY = 61.9% **
SC = 1.0

CERTIFIED TEST REPORT NO. 2412FR, DATE: JAN 12, 2004
COMPUTED BY LSI PROGRAM **TEST-LITE**

100W ED17 (ENCLOSED) PHILIPS CMH, LUMEN RATING = 9000 LMS, AROMAT ELECTRONIC BALLAST, CL FINISH REFLECTOR TRIM

CANDLEPOWER DISTRIBUTION



LUMINANCE SUMMARY CD. / SQ. M.

| ANGLE | MEAN CD/SQ M |
|-------|--------------|
| 45 | 52135 |
| 55 | 639 |
| 65 | 0 |
| 75 | 0 |
| 85 | 0 |

Coefficients of Utilization

| CEILING | 80% | | | | 70% | | 50% | | 30% | | 0 |
|---------|--|-----|-----|-----|-----|-----|-----|-----|-----|-----|-----|
| | 70 | 50 | 30 | 10 | 50 | 10 | 50 | 10 | 50 | 10 | |
| WALL | Zonal Cavity Method - Effective Floor Cavity Reflectance = 20% | | | | | | | | | | |
| RCR | Zonal Cavity Method - Effective Floor Cavity Reflectance = 20% | | | | | | | | | | |
| 0 | .74 | .74 | .74 | .74 | .72 | .72 | .69 | .69 | .66 | .66 | .62 |
| 1 | .70 | .69 | .67 | .66 | .68 | .65 | .65 | .63 | .63 | .61 | .58 |
| 2 | .67 | .65 | .63 | .61 | .64 | .60 | .62 | .59 | .60 | .57 | .55 |
| 3 | .64 | .61 | .58 | .56 | .60 | .55 | .58 | .54 | .57 | .54 | .52 |
| 4 | .61 | .57 | .54 | .52 | .57 | .51 | .55 | .51 | .54 | .50 | .49 |
| 5 | .58 | .54 | .50 | .48 | .53 | .48 | .52 | .47 | .51 | .47 | .46 |
| 6 | .56 | .51 | .47 | .45 | .50 | .45 | .49 | .44 | .48 | .44 | .43 |
| 7 | .53 | .47 | .44 | .42 | .47 | .41 | .46 | .41 | .45 | .41 | .40 |
| 8 | .50 | .44 | .41 | .38 | .44 | .38 | .43 | .38 | .43 | .38 | .37 |
| 9 | .47 | .42 | .38 | .35 | .41 | .35 | .41 | .35 | .40 | .35 | .34 |
| 10 | .45 | .39 | .35 | .33 | .39 | .33 | .38 | .33 | .38 | .33 | .32 |

| ZONAL LUMENS AND PERCENTAGES | | | |
|------------------------------|--------|--------|-------------|
| ZONE | LUMENS | % LAMP | % LUMINAIRE |
| 0-30 | 3403 | 37.82 | 61.15 |
| 0-40 | 4826 | 53.62 | 86.71 |
| 0-60 | 5565 | 61.84 | 100 |
| 0-90 | 5565 | 61.84 | 100 |
| 40-90 | 739 | 8.22 | 13.29 |
| 60-90 | 0 | 0 | 0 |
| 90-180 | 0 | 0 | 0 |
| 0-180 | 5565 | 61.84 | 100 |

LUMINAIRE INPUT WATTS = 110.0

** EFFICIENCY = 61.8% **
SC = 1.0

CERTIFIED TEST REPORT NO. 2509FR, DATE: MAR 3, 2004
COMPUTED BY LSI PROGRAM **TEST-LITE**

LIGHTOLIER®

Job Information Type: