

Design LED 36 Tri-Brick Dimensions

The Design LED 36 Tri-Brick (DLED 36 Tri-Brick) by Elation Professional is a high output, compact (fits in 12" box truss), LED color changer featuring seamless RGB color mixing using 12 x "Tri-color" 3W LEDs, 36 Watts total - 12 Red, 12 Blue and 12 Green. This unit is convection cooled and provides up to 50,000 hours estimated LED life. The DLED 36 Tri-Brick is rated at IP 20, designed for indoor applications only and is fully operational in any mounting position. The unit can be operate from 90-240V and is ac linkable with IEC in/out connectors. Control data input is via 3 pin or 5 pin DMX data first in and out connector cables. The DLED 36 Tri-Brick also features low power consumption, minimal heat emission, no tri-color shadows and flicker-free operation for television and film. The DLED 36 Tri-Brick includes a dual yoke mounting bracket for fixed installation or can be used as a split bracket for floor standing and separated for mounting multiple units together in a line for linear strip design. The unit also features an on board 4 button control menu with 4 digit LED display for setting control address, modes, manual or auto programs. The unit comes fitted standard with a 25° lens kit which produces a 47° field angle effect. Optional wide and narrow lens kits are available.

FEATURES

- LED color changer
- 12 x "Tri-color" 3W LEDs, 36 Watts total - 12 Red, 12 Blue and 12 Green
- 38.5° Beam Angle
- 2720 LUX @ 1 meter
- 350 LUX @ 3 meters
- Rated IP 20
- Compact Design (fits in 12" box truss)
- Convection cooled
- Electronic ballast, multi-voltage
- IEC Power in/out
- Built-in Power Supply and DMX 512 Control
- 4 Button Electronic Menu
- Master/ Slave auto program and music trigger
- 8 built-in programs with Speed control
- Control each L.E.D. independently

TECHNICAL SPECIFICATIONS

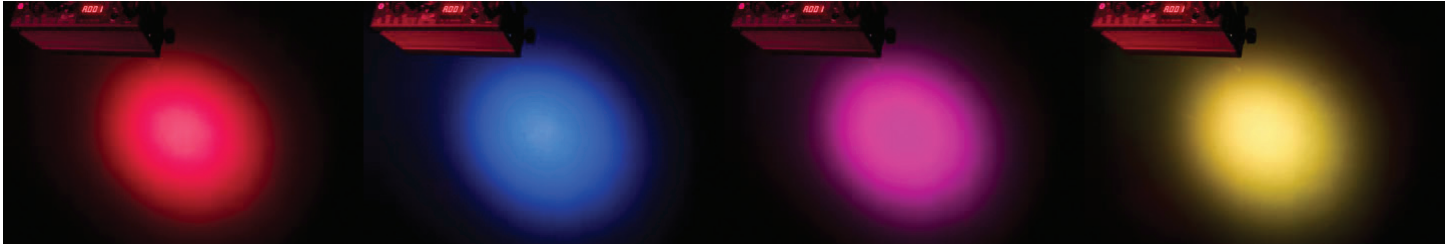
- **DMX Channels:** 3, 4, 12 or 15 channel operation modes
- **Control:** USITT DMX-512, 3-pin and 5-Pin XLR serial input/output
- **Dimmer:** Continuous dimming 0-100%
- **Strobe:** Strobe effect (1-18 flashed per second)
- **IP Rating:** IP20
- **Power Supply:** Multi-voltage: 100-240V AC, 50/60Hz
On/Off Power switch
- **Power Consumption:** Maximum 65W
- **Fuse:** GMA 220v~2A, electronic ballast
- **Lamp:** 12 Tri-Color, 3 Watt SMDs /
36-Watt Total (12 x Red, 12 x Green 12 x Blue)
- **Lamp life:** Long Life L.E.D. (rated at 50,000 Hours)
- **Dimensions:** (LxWxH): 16.3" x 9" x 3.15" /
415 x 230 x 80mm
- **Weight:** 9.5 lbs. / 4.3 kgs.
- **Rigging:** Mounting bracket and safety eye-hook installed

Design LED 36 Tri-Brick



COLORS

- 12 x "TRI" 1W Luxeon LEDs - (Uses 3-in-1 TRI LED system for superior color mixing - No three color shadows)
- Seamless RGB color mixing
- Infinite Color possibilities

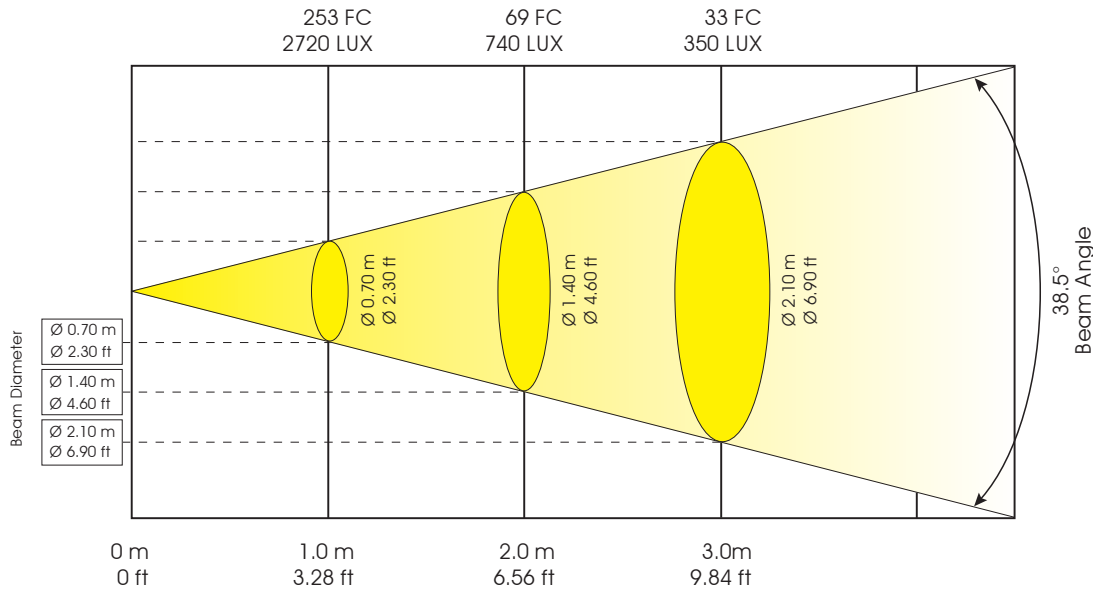


PHOTOMETRICS

Design LED 36 Tri-Brick Photometric Beam Angle Data

Standard Beam Angle 38.5°

LUX x 0.0929 = FC



DMX TRAITS

3 Channel Mode:

Channel	Value	Function
1	0 - 255	Red (0 - black, 255 - 100% red)
2	0 - 255	Green (0 - black, 255 - 100% green)
3	0 - 255	Blue (0 - black, 255 - 100% blue)

4 Channel Mode:

Channel	Value	Function
1	0 - 255	Red (0 - black, 255 - 100% red)
2	0 - 255	Green (0 - black, 255 - 100% green)
3	0 - 255	Blue (0 - black, 255 - 100% blue)
4	0 - 255	Dimming (0 - 100%) ~ <i>normal operation</i>
	0 - 255	Speed (min to max) ~ <i>when running built-in programs on channel 4</i>

12 Channel Mode:

Channel	Value	Function
1	0 - 255	Red (0 - black, 255 - 100% red)
2	0 - 255	Green (0 - black, 255 - 100% green)
3	0 - 255	Blue (0 - black, 255 - 100% blue)
4	0 - 255	Red (0 - black, 255 - 100% red)
5	0 - 255	Green (0 - black, 255 - 100% green)
6	0 - 255	Blue (0 - black, 255 - 100% blue)
7	0 - 255	Red (0 - black, 255 - 100% red)
8	0 - 255	Green (0 - black, 255 - 100% green)
9	0 - 255	Blue (0 - black, 255 - 100% blue)
10	0 - 255	Red (0 - black, 255 - 100% red)
11	0 - 255	Green (0 - black, 255 - 100% green)
12	0 - 255	Blue (0 - black, 255 - 100% blue)

15 Channel Mode:

Channel	Value	Function
1	0 - 255	Red (0 - black, 255 - 100% red)
2	0 - 255	Green (0 - black, 255 - 100% green)
3	0 - 255	Blue (0 - black, 255 - 100% blue)
4	0 - 255	Red (0 - black, 255 - 100% red)
5	0 - 255	Green (0 - black, 255 - 100% green)
6	0 - 255	Blue (0 - black, 255 - 100% blue)
7	0 - 255	Red (0 - black, 255 - 100% red)
8	0 - 255	Green (0 - black, 255 - 100% green)
9	0 - 255	Blue (0 - black, 255 - 100% blue)
10	0 - 255	Red (0 - black, 255 - 100% red)
11	0 - 255	Green (0 - black, 255 - 100% green)
12	0 - 255	Blue (0 - black, 255 - 100% blue)
13	0 - 255	Internal Programs
14	0 - 255	Strobe
15	0 - 255	General dimming / program speed control