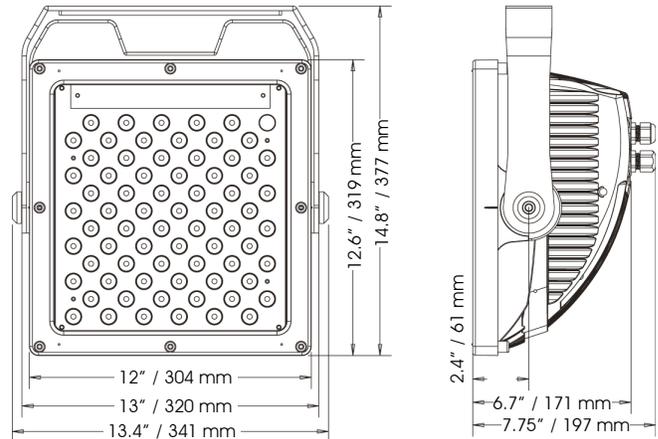


Design LED Panel 72IP MKII



Available case colors: black/silver



Design LED Panel 72IP MKII Dimensions

The Design LED Panel 72IP MKII (DLED Panel 72 MKII) by Elation Professional is a high output, outdoor color L.E.D. wash panel equipped with 72 3W Luxeon K2 L.E.D.'s (24 red, 24 green, 24 blue) producing infinite color possibilities using RGB color mixing. The DLED Panel 72 MKII features silent operation with convection cooling (no fans) and a compact case design available in black or silver case colors with the design of the fixture optimized providing up to 100,000 hours estimated L.E.D. life. This unit is outdoor rated IP65, ideal for indoor and outdoor applications. DLED Panel 72 MKII is also equipped with a built-in electronic switching power supply which can operate from 90-240V-50/60hz and DMX-512 control. The unit is operable via 3, 4, 6, or 15 channel operation modes with available DMX, stand alone, master/slave and sound controlled user modes. This unit also features built-in chase programs and internal scene and chase memory with speed and fade settings. A standard beam angle of 53° is produced with 1,523 LUX (141 FC) at 3 meters. Rigging for this unit includes split yoke bracket, safety cable and 3-pin data cable.

FEATURES

- LED wall wash panel
- High output, outdoor color L.E.D. wash panel
- Infinite color possibilities (RGB color mixing)
- 72 x 3W Luxeon K2 LED's (24 Red, 24 Green, 24 Blue)
- 31° Beam Angle
- 1,523 Lux at 3m
- IP65 outdoor rated, compact case design
- Available case colors: black/silver
- Silent operation, convection cooled (No fans)
- Built-in power supply and DMX 512 Control
- Electronic switching power supply (90-240V, 50/60Hz)
- 4 digit LED display
- Linkable power supply
- Long Life L.E.D. (rated at 100,000 Hours)
- Flicker free operation for television and film
- Stand Alone & DMX Operation Modes
- Built-in chase programs
- Internal scene & chase memory with speed & fade settings
- Strobe effect (1-18 flashed per second)
- Control each L.E.D. independently
- Pre-programmed color macros
- Sound controlled via built-in microphone
- 0-100% Dimming

TECHNICAL SPECIFICATIONS

- **DMX Channels:** 3, 4, 6 or 15 CH operation modes
- **Control:** Built-in DMX-512
- **Dimmer:** Selectable dim modes: standard & linear (0-100%)
- **Strobe:** Strobe effect (1-18 flashes per second)
- **IP Rating:** IP 65 outdoor rated
- **Power Supply:** Built-in electronic power supply: 90-240v linkable / 50-60hz
- **Power Consumption:** 300W
- **Lamp:** 72 x 3W Luxeon K2 LED's (24 Red, 24 Green, 24 Blue)
- **Lamp Life:** 100,000 hrs.
- **Dimensions:** (LxWxH) 13.6" x 14.9" x 8" / 345.44 x 378.46 x 203.2 mm
- **Weight:** 26.46 lbs / 12 kg
- **Rigging:** Installed split yoke mounting bracket, safety cable and 3-pin data cable included

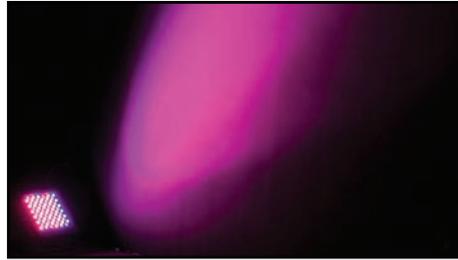


Design LED Panel 72IP MKII



COLORS

- 72 x 3W K2 LED's (24 Red, 24 Green, 24 Blue)
- High output, outdoor color L.E.D. wash panel
- Infinite color possibilities (RGB color mixing)

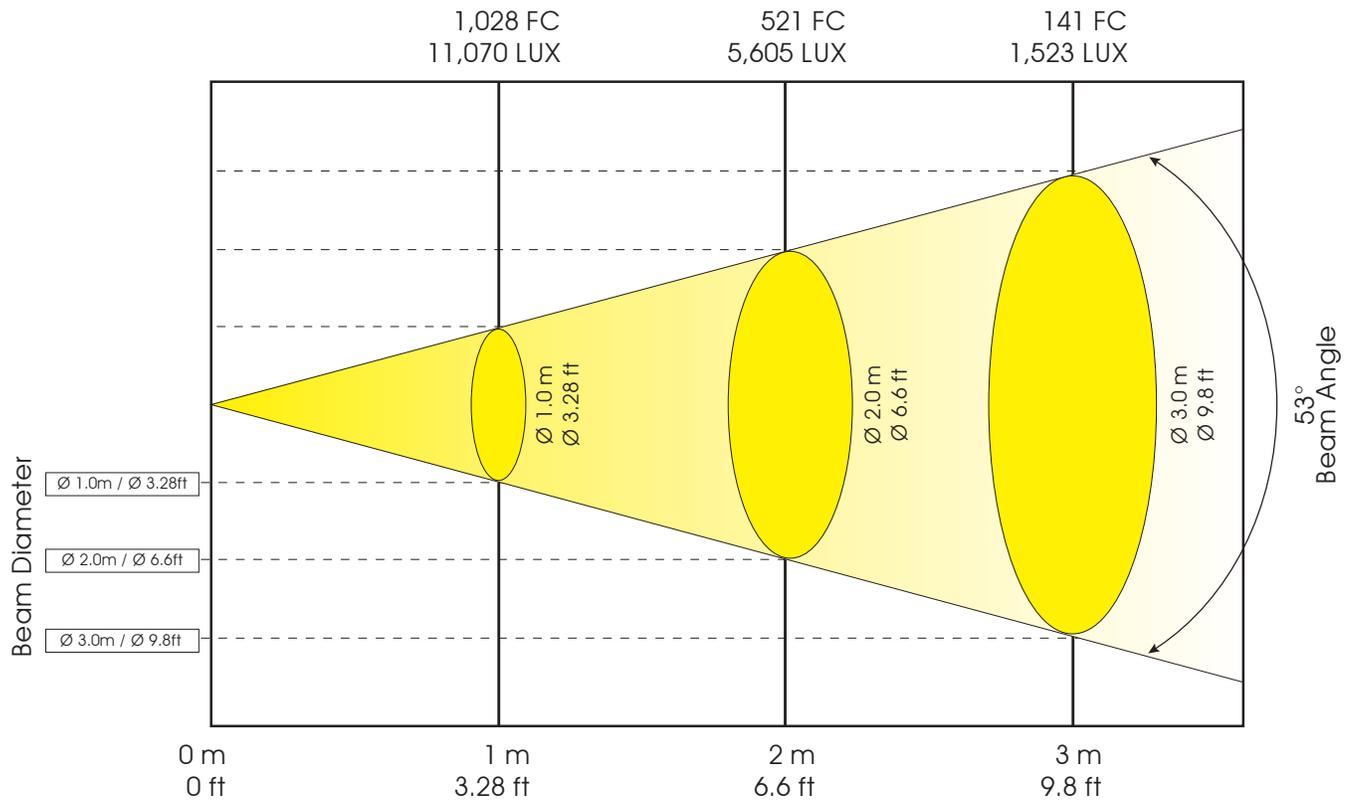


PHOTOMETRICS

Design LED Panel 72 MKII Photometric Beam Angle Data

Beam Angle 53°

LUX x 0.0929 = FC



Design LED Panel 72IP MKII



DMX TRAITS

3 Channel Mode:

Channel	Value	Function
1	0 - 255	Red (0 - black, 255 - 100% red)
2	0 - 255	Green (0 - black, 255 - 100% green)
3	0 - 255	Blue (0 - black, 255 - 100% blue)

4 Channel Mode:

Channel	Value	Function
1	0 - 255	Red (0 - black, 255 - 100% red)
2	0 - 255	Green (0 - black, 255 - 100% green)
3	0 - 255	Blue (0 - black, 255 - 100% blue)
4	0 - 255	Dimming / program speed control

6 Channel Mode:

Channel	Value	Function
1	0 - 255	Red (0 - black, 255 - 100% red)
2	0 - 255	Green (0 - black, 255 - 100% green)
3	0 - 255	Blue (0 - black, 255 - 100% blue)
4	0 - 255	Auto programs (built-in programs)
5	0 - 255	Strobe
6	0 - 255	Dimming / program speed control

15 Channel Mode:

Channel	Value	Function
1	0 - 255	Red (0 - black, 255 - 100% red)
2	0 - 255	Green (0 - black, 255 - 100% green)
3	0 - 255	Blue (0 - black, 255 - 100% blue)
4	0 - 255	Red (0 - black, 255 - 100% red)
5	0 - 255	Green (0 - black, 255 - 100% green)
6	0 - 255	Blue (0 - black, 255 - 100% blue)
7	0 - 255	Red (0 - black, 255 - 100% red)
8	0 - 255	Green (0 - black, 255 - 100% green)
9	0 - 255	Blue (0 - black, 255 - 100% blue)
10	0 - 255	Red (0 - black, 255 - 100% red)
11	0 - 255	Green (0 - black, 255 - 100% green)
12	0 - 255	Blue (0 - black, 255 - 100% blue)
13	0 - 255	Auto programs (built-in programs)
14	0 - 255	Strobe
15	0 - 255	Dimming / program speed control

Product Order Code	Description
Design Panel 72IP MKII	Black Design Panel 72IP MKII
Design Panel 72IP MKII S	Silver Design Panel 72IP MKII
Accessories Order Code	Description
80409030066	Design Panel 72IP MKII DMX In 3P Male XLR/5P Female IP 3M
80409030065	Design Panel 72IP MKII DMX Out 3P Female XLR/5P Male IP 3M
80409030054	Design Panel 72IP MKII 120V Power In 3P IP Cable 1.8M
80409030011	Design Panel 72IP MKII Data Link Cable 5P IP 3M Design Panel 72IP MKII Power Link Cable 3P IP 3M