

COOPER LIGHTING - SURE-LITES®



CC3
CC4
CC5
CC6

Contractor's Choice

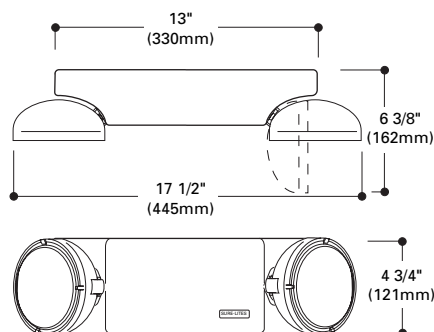
EMERGENCY LIGHT

- Dual-voltage input 120/277VAC, 60Hz, isolation transformer
- Injection-molded, color-stable, high-impact UL-94-5V rated polycarbonate housing and mounting plate (Housing is tethered to mounting plate)
- Designer-white textured finish
- Two PAR36 type lamps in fully adjustable high-impact polycarbonate lampholders
- Sealed lead calcium maintenance free battery
- Cutouts provided for surface conduit on top
- Universal J-box mounting pattern, keyhole slots
- Remote Capability CC5, CC6
- Line-Latching, Solid-State Voltage Limited Charger, Solid-State Switching, Low-Voltage Disconnect, Brownout Circuit, Overload/Short Circuit Protection, Test switch/power Indicator light
- UL 924 Listed, UL Damp Location Listed (CC5SD Only), Life Safety NFPA 101, CSA Certified, NEC/OSHA, most state and local codes

DESCRIPTION

The CC Series Contractor's Choice Emergency Lighting Unit is the ideal choice when a simple installation and a reasonable cost are required. Its contemporary round corner styling, designer white finish, and consistent family appearance enables it to blend with any decor. The components are injection molded from tough polycarbonate materials which resist discoloration due to age and ultraviolet radiation.

DIMENSIONS



ELECTRICAL RATINGS

Model	DC Voltage	Rated Wattage to 87 1/2% of rated D.C. Voltage				Lamp Information		
		1 1/2 hours	2 hours	3 hours	4 hours	Type	Wattage	Number
CC3	6	10.8	7.2	-	-	Incandescent	5.4	29-121
CC3 NC	6	16	-	-	-	Incandescent	5.4	29-121
CC4	6	18	15	10	8	Incandescent	9	29-84
CC4 NC	6	18	-	-	-	Incandescent	9	29-84
CC5	6	27	24	18	14	Incandescent	9	29-84
CC5 NC	6	24	-	-	-	Incandescent	9	29-84
CC6	6	32	-	-	-	Incandescent	9	29-84

ORDERING INFORMATION

SAMPLE NUMBER: CC5WHSD

Model Number	Housing Finish	Options	Accessories
CC3	(Must be specified)	(add as suffix)	(Order separately)
CC3NC ⁽⁴⁾	WH=White	MRT=MR16 Heads (5W Standard CC3, CC3NC; 9W Standard CC4, CC5, and CC6)	WG1 =Wire Guard
CC4	BK=Black	SQ=Square Head (5.4W Standard)	WG2 =Wire Guard (use for heads adjusted at 45° or greater)
CC4NC ^{(4), (6)}		A=Ammeter ⁽¹⁾	VS1=Polycarbonate Vandal Shield
CC5		SD=Self-Diagnostics ^{(3), (5), (6)}	VS1WP=Polycarbonate Vandal Shield
CC5NC ^{(4), (6)}	Voltage	V=Voltmeter ⁽¹⁾	Weather Resistant
CC6	Blank=120/277	TDM=Time Delay Monitor	CSK120=Cord Set 120V
	347=120/347 VAC	Alternate Lamps ⁽²⁾	
		Other Options ⁽²⁾	

Energy Data

Model No.	Input Current (Max.):		
	120V	277V	347V
CC3	.12A	.05A	.01A
CC4	.12A	.05A	.01A
CC5	.13A	.06A	.06A
CC6	.13A	.06A	.06A

⁽¹⁾Provision for one meter only. ⁽²⁾Consult your Cooper Lighting Representative. ⁽³⁾Not available w/CC6. ⁽⁴⁾NC=Nickel Cadmium Battery. ⁽⁵⁾CC5SD is damp location standard. ⁽⁶⁾CC4NC, CC5NC not available in SD.