

DESCRIPTION

Classic nautical style lampholders available in white and antique brass finishes. All lampholders feature a hinged front bell that opens for relamping and secures with a thumbscrew. For use with Halo and Lazer-by-Halo track systems.

Catalog #	Type
Project	
Comments	
Prepared by	Date

SPECIFICATION FEATURES

A...Electrical Quick Lock Adapter

Polycarbonate casing. Attaches electrically and mechanically anywhere along Power-Trac. Visual polarity line assures proper grounding. Two position conductor allows use in single circuit and either circuit of two circuit track.

B...Yoke

Matching finish yoke allows lampholder to rotate 338° and adjust vertically from 0° to 90°.

C... Body

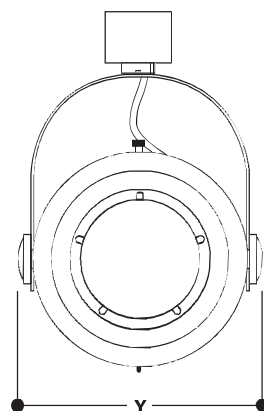
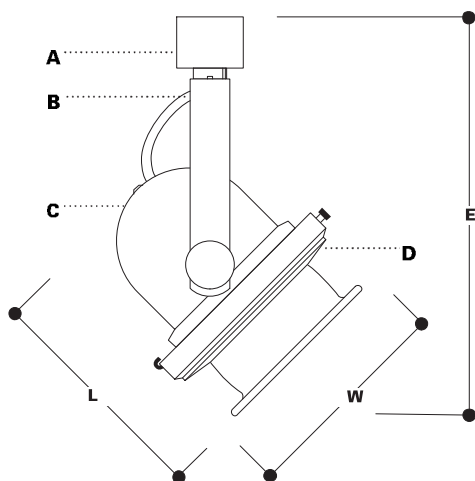
Classic nautical style lampholder body in white and antique brass.

D... Front Bell

Front bell hinges down for relamping and secures with thumbscrew

Listings

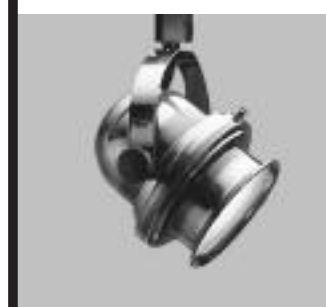
UL listed and CSA certified for use with Halo and Lazer-by-Halo track and track systems.



L1510 shown in illustration



L1510



L1511

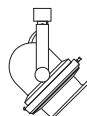
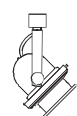


L1512

ORDERING INFORMATION

SAMPLE NUMBER: L1510P

Lampholders	Finishes
L1510 L1511 L1512	P=Satin White AB=Antique Brass



L1510

For use with:
40W R16 (Halo Z9),
30/50W R20,
60W PAR16

L = 5 1/8" [130mm]
W = 4 3/4" [121mm]
E = 7 1/2" [191mm]
Y = 5 1/4" [130mm]

L1511

For use with:
75W R30,
100W BR25 (Halo Z10)

L = 6 1/4" [159mm]
W = 6 1/4" [159mm]
E = 8 3/4" [222mm]
Y = 6 3/4" [172mm]

L1512

For use with:
150W R40,
150W PAR38

L = 7 1/2" [191mm]
W = 7 7/8" [200mm]
E = 10 1/4" [261mm]
Y = 8 3/8" [213mm]

**LINE VOLTAGE
CLASSIC STYLE
LAMP HOLDERS**

Power-Trac®

ADV023214
Supersedes ADV990325

Note: Specifications and Dimensions subject to change without notice.

Visit our web site at www.cooperlighting.com