

DESCRIPTION

Recessed lens wall wash luminaire with 4 inch square aperture utilizing horizontal BT15 tungsten-halogen lamp. Modular platform can be reconfigured from below the ceiling to accept a broad range of lamp modules and optical elements. Platform is suitable for direct contact with insulation and 2x8 residential construction. Platform + module + element combination produces smooth vertical illumination with a minimal downlight component.

| | | |
|--------------------|--|-------------|
| Catalog # | | Type |
| Project | | |
| Comments | | Date |
| Prepared by | | |

SPECIFICATION FEATURES

Frame

Galvanized steel plaster frame with integral bar hanger receivers. Setscrews provide positive horizontal locking.

Collar

Matte black steel collar adjusts vertically for 1/2" - 1" thick ceilings and can be rotated +/- 7.5° thru the aperture. Integral gun sights facilitate the use of guide strings or laser lines. Shipped with a paint overspray protector installed in the collar.

Lamp Module

Installed or removed thru the aperture or from the top and allows lamp orientation at 0°, 90°, 180° and 270° positions.

Housing

Double wall aluminum housing painted matte black for a visually dark interior. Removable hinged top allows for top access. All fasteners are captive.

Gaskets

Closed cell gaskets achieve restrictive airflow requirements without additional caulking.

Optical Element

Mousetrap type springs pull flange tight to ceiling. Light trap eliminates spill light at edge of flange and reflector. Available in self-flanged or metal trim ring versions. May also be installed rimless using optional plastering lathing ring.

Bar Hangers

Captive preinstalled bar hangers adjusts from 8-1/2" to 24" wide; pass thru feature allows shortening without removal. Captive nail penetrates standard and engineered lumber. Mounting flange levels platform with ceiling. Integral clip attaches directly to t-bar.

Primary Reflector

Miro® segmented upper reflector. Accepts 75W maximum BT15 tungsten-halogen lamp. Will not accept a lower efficacy A19 type lamp.

Lower Reflector

Specular aluminum kicker reflector integral with angle cut parabolic shielding prismatic and glass spread lens provides smooth vertical illumination with a minimal downlight component. Available in a wide range of semi specular Alzak® finishes.

Junction Box

(7) 1/2" trade size pry outs, (3) integral clamps for non-metallic cable. Rated for (4) #12 thru branch circuits. Wago® type push wire connectors for field connections

Thermal Protector

Self-resetting thermal protector protects against improper lamping.

Lamp Socket

Ceramic E26 Edison base mounted to lamp module connects to the platform with electrical quick connects

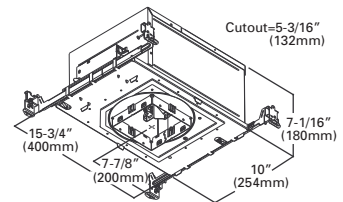
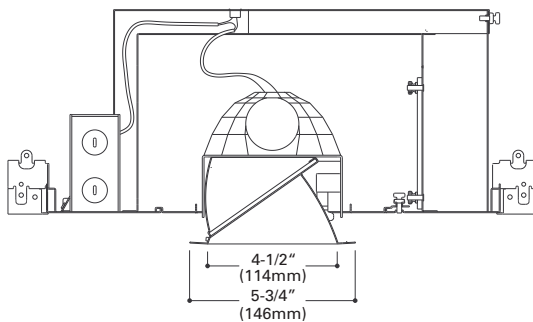
Code Compliance

Thermally protected, IP labeled, cULus listed for protected wet locations and ASTM-E283 AIRTITE (tm). Suitable for direct contact with insulation.



**P408ICAT
MH4BT
E4LWW
75W BT15
Tungsten-Halogen**

4 Inch Square Lens Wall Wash



ORDERING INFORMATION: Complete unit consists of platform, lamp module and optical element.

| Platform | Lamp Module | Optical Element | Finish | Flange | Accessories |
|--|---|---|--------|--|--|
| P408ICAT | MH4BT | | | | |
| P408ICAT = 4" Square Aperture IC Housing | MH4BT = BT15 Horizontal Lamp Module E4LWW = 4" Square Aperture Lower Shielding Prismatic, Lens Wall Wash | Alzak® Finishes H = Clear Haze WMH = Warm Haze WHH = Wheat Haze KH = Cognac Haze GPH = Graphite Haze CTH = Cobalt Haze CCH = Chocolate Haze BH = Black Haze Painted Finishes MW = Matte White MB = Matte Black | | [Blank] = Metal Trim Ring, Matte White SF = Self Flanged SFWF = Self Flanged, Matte White Flange | PLR4x4 = Plaster lathing ring for rimless RLA4x4 = Rimless adapter for solid ceiling surfaces MTR4MW = Metal trim ring, matte white MTR4MB = Metal trim ring, matte black MTR4SN = Metal trim ring, satin nickel MTR4AC = Metal trim ring, antique copper MTR4TBZ = Metal trim ring, tuscan bronze |