



## ATD-80350 Rechargeable LED Thin Work Light Owner's Manual



### Features

- 10 SMD LED bulbs for a wider & brighter lighting area
- 1 SMD LED bulb top light offers an additional flashlight function
- Lithium-ion rechargeable battery for longer life and consistent power
- Light head rotates 180° and pivots 180° to direct light to work area
- Super strong magnetic base sticks to steel surfaces
- Slim light body can reach into any narrow space easily
- Automatic shut-off and overcharge protection for optimal battery life
- Tough, impact resistant ergonomic housing
- Versatile 3-in-1 charging system
  - Charge from 120V AC with included wall power plug
  - Charge from 12V DC with included vehicle power plug
  - Charge from USB charging port with included USB cord

### Specifications

- Main Bulb: 10 SMD LED
- Brightness: 260-300 lumens
- Top Bulb: 1 SMD
- Brightness: 20-30 lumens
- Battery: 3.7V 2200mAh lithium-ion rechargeable
- Run Time: Up to 3-hours continuous
- Length: 14.2"
- Weight: 0.53 lbs.

### Operating instructions

- Before use, plug the unit into any 110-120V AC power source, 12V DC power source or 5V DC USB port and let unit fully charge until the green indicator inside Mini-USB socket turns on.
- Charge this light every month if not in constant use, and after each use, if it is used often to ensure longevity.
- Press the switch at the back of the handle: once for front light, twice for top light, three times to turn off.

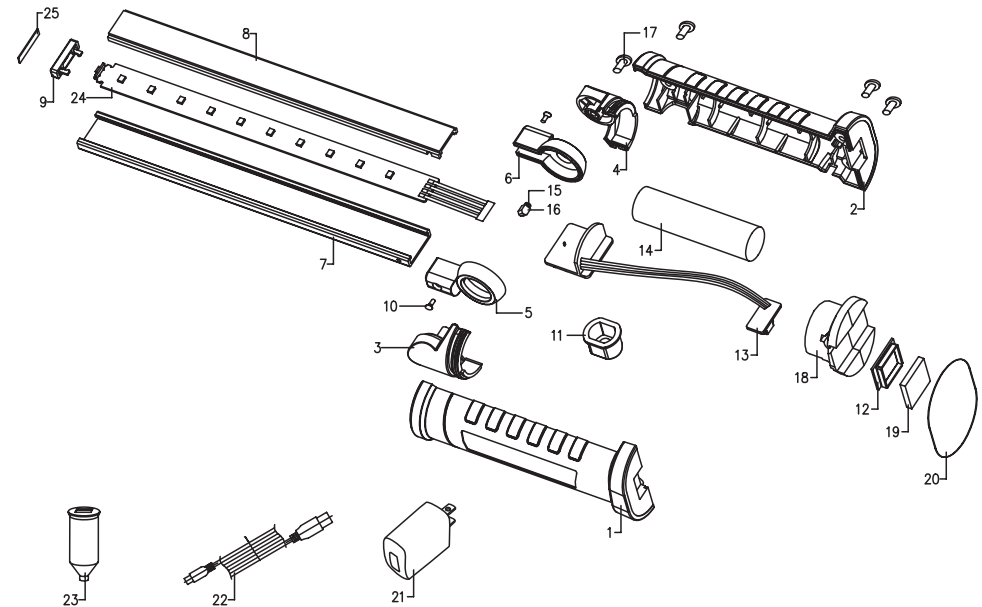
### Cautions

- For indoor use only - do NOT use in or around tubs, showers, sinks, pools, hot tubs, or in a wet environment
- Use only the recommended voltage and frequency requirements
- Keep out of reach of children
- Do not operate light with wet hands.
- Keep lamp away from hot objects.

#### ▲ WARNING ▲

**WARNING!** THIS PRODUCT CONTAINS CHEMICALS, INCLUDING LEAD, KNOWN TO THE STATE OF CALIFORNIA TO CAUSE CANCER, BIRTH DEFECTS OR OTHER REPRODUCTIVE HARM. **WASH HANDS AFTER HANDLING.**

Made in China to ATD Tools, Inc. Specifications  
Visit us at [www.atdtools.com](http://www.atdtools.com)



ITEM#	ORDERING PART#	PART DESCRIPTION	ITEM#	ORDERING PART#	PART DESCRIPTION
1	PRT80304-01	RIGHT HANDLE	14	PRT80304-16	LI-ION BATTERY
2	PRT80304-02	LEFT HANDLE	15	PRT80304-19-29	GEAR TOOTH & SPRING
3	PRT80304-03	RIGHT JOINT HALF	16	PRT80304-19-29	GEAR TOOTH & SPRING
4	PRT80304-04	LEFT JOINT HALF	17	PRT80304-24	SCREW
5	PRT80350-05	RIGHT LIGHT FIXED BLOCK	18	PRT80304-26	COUNTERWEIGHT
6	PRT80350-06	LEFT LIGHT FIXED BLOCK	19	PRT80304-20	SQUARE MAGNET
7	PRT80350-07	LIGHT BASE	20	PRT80304-21	MAGNET LABEL
8	PRT80350-08	LIGHT COVER	21	PRT80304-22	AC ADAPTOR
9	PRT80350-09	TOP COVER	22	PRT80304-27	USB
10	PRT80350-10	SCREW	23	PRT80304-31	CAR ADAPTOR
11	PRT80304-13	BUTTON	24	PRT80350-24	LED BOARD
12	PRT80304-14	MAGNET BASE	25	PRT80350-25	TOP LABEL
13	PRT80350-13	SWITCH BOARD			