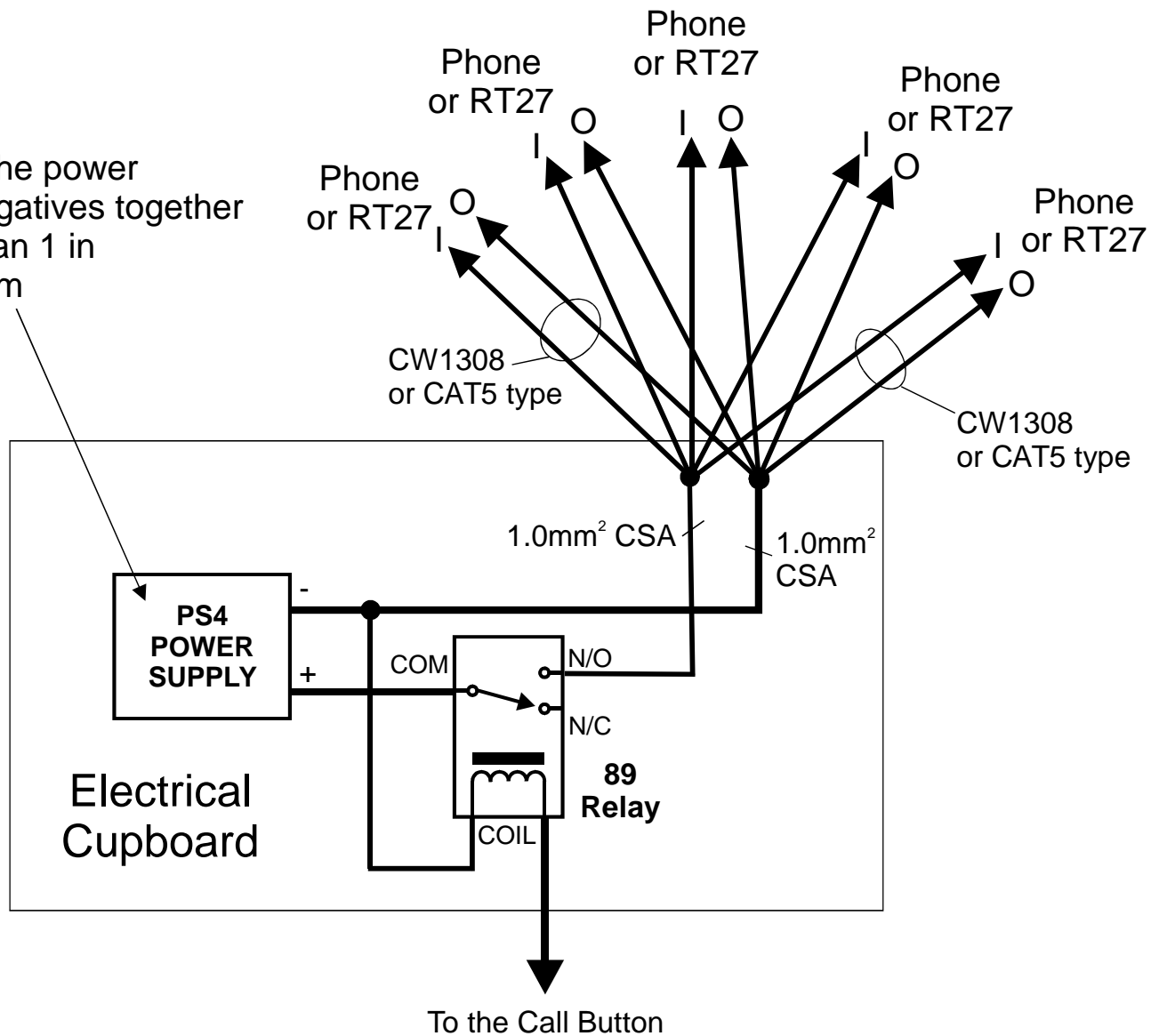


Connecting more than 4 phones or Extension sounders(RT27) to a 1 button/way DC System

Connect the power supply negatives together if more than 1 in the system



Notes

1. The Phones must be star-wired (separate cable to each phone).
2. Follow the standard DC phone wiring diagram, changing the call button wiring to that shown here.