

PARTS MANUAL



MODEL DLW330X2 WELDER/GENERATOR (KUBOTA D902E3BWDDE2 DIESEL ENGINE)

Revision #1 (06/18/10)

To find the latest revision of this
publication, visit our website at:
www.mqpower.com



THIS MANUAL MUST ACCOMPANY THE EQUIPMENT AT ALL TIMES.

TABLE OF CONTENTS

MQ DLW300X2 WELDER/ GENERATOR

Table Of Contents	2
Parts Ordering Procedures	3
Explanation Of Code In Remarks Column	4
Suggested Spare Parts	5

DLW300X2 COMPONENT DRAWINGS

Generator Assembly	6-7
Control Panel Assembly	8-11
Electric Parts (1) Assembly	12-15
Electric Parts (2) Assembly	16-17
Engine and Radiator Assembly	18-19
Battery Assembly	20-21
Muffler Assembly	22-23
Fuel Tank Assembly	24-25
Enclosure Assembly	26-29
Rubber Seals Assembly	30-31
Nameplate and Decals Assembly	32-33

KUBOTA D902E3B COMPONENT DRAWINGS

Crankcase Assembly	34-35
Oil Pan Assembly	36-37
Cylinder Head Assembly	38-39
Gear Case Assembly	40-41
Head Cover Assembly	42-43
Oil Filter Assembly	44-45
Dipstick And Guide Assembly	46-47
Oil Pump Assembly	48-49
Main Bearing Assembly	50-51
Camshaft And Idle Assembly	52-53
Piston And Crankshaft Assembly	54-55
Flywheel Assembly	56-57
Fuel Camshaft And Governor Assembly	58-59
Idle Apparatus Assembly	60-61
Injection Pump Assembly	62-63
Speed Control Plate Assembly	64-65
Nozzle Holder And Glow Plug Assembly	66-67
Nozzle Holder Cp Assembly	68-71

Fork Lever Governor Assembly	72-73
Fuel Filter Assembly	74-75
Fuel Pump Mechanical Assembly	76-77
Dynamo and Pulley Assembly	78-79
Dynamo CP Assembly	80-81
Starter Assembly	82-83
Starter CP Assembly	84-85
Oil Switch Assembly	86-87
Water Flange and Thermostat Assembly	88-89
Water Pump Assembly	90-91
Water Pipe Assembly	92-93
Fan Assembly	94-95
Valve and Rocker Arm Assembly	96-97
Inlet Manifold Assembly	98-99
Exhaust Manifold Assembly	100-101
Glow Lamp and Timer Assembly	102-103
Accessories and Service Parts Assembly	104-105
Label and Operator's Manual Assembly	106-107
Upper Gasket Kit Assembly	108-109
Lower Gasket Kit Assembly	110-111
Metal Kit Assembly (Optional)	112-113
Piston Kit Assembly (Optional)	114-115

Terms and Conditions of Sale — Parts	116
--	-----

PARTS ORDERING PROCEDURES

Ordering parts has never been easier! Choose from three easy options:

Effective:
January 1st, 2006



Order via Internet (Dealers Only):

Order parts on-line using Multiquip's SmartEquip website!

- View Parts Diagrams
- Order Parts
- Print Specification Information



If you have an MQ Account, to obtain a Username and Password, E-mail us at: parts@multiquip.com.

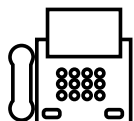
To obtain an MQ Account, contact your District Sales Manager for more information.

Goto www.multiquip.com and click on

Order Parts to log in and save!

Use the *internet* and qualify for a **5% Discount** on *Standard orders* for all orders which include complete part numbers.*

Note: Discounts Are Subject To Change



Order via Fax (Dealers Only):

All customers are welcome to order parts via Fax.

Domestic (US) Customers dial:
1-800-6-PARTS-7 (800-672-7877)

Fax your order in and qualify for a **2% Discount** on *Standard orders* for all orders which include complete part numbers.*

Note: Discounts Are Subject To Change



Order via Phone: Domestic (US) Dealers Call:
1-800-427-1244

Non-Dealer Customers:

Contact your local Multiquip Dealer for parts or call 800-427-1244 for help in locating a dealer near you.



International Customers should contact their local Multiquip Representatives for Parts Ordering information.

When ordering parts, please supply:

- | | |
|---|--|
| <input type="checkbox"/> Dealer Account Number | <input type="checkbox"/> Specify Preferred Method of Shipment: |
| <input type="checkbox"/> Dealer Name and Address | <input checked="" type="checkbox"/> UPS/Fed Ex <input checked="" type="checkbox"/> DHL |
| <input type="checkbox"/> Shipping Address (if different than billing address) | <input type="checkbox"/> Priority One <input checked="" type="checkbox"/> Truck |
| <input type="checkbox"/> Return Fax Number | <input type="checkbox"/> Ground |
| <input type="checkbox"/> Applicable Model Number | <input type="checkbox"/> Next Day |
| <input type="checkbox"/> Quantity, Part Number and Description of Each Part | <input type="checkbox"/> Second/Third Day |

NOTICE

All orders are treated as *Standard Orders* and will ship the same day if received prior to 3PM PST.

WE ACCEPT ALL MAJOR CREDIT CARDS!



www.multiquip.com



EXPLANATION OF CODE IN REMARKS COLUMN

The following section explains the different symbols and remarks used in the Parts section of this manual. Use the help numbers found on the back page of the manual if there are any questions.

NOTICE

The contents and part numbers listed in the parts section are subject to change **without notice**. Multiquip does not guarantee the availability of the parts listed.

SAMPLE PARTS LIST

NO.	PART NO.	PART NAME	QTY.	REMARKS
1	12345	BOLT.....	1	INCLUDES ITEMS W/%
2%		WASHER, 1/4 IN.....		NOT SOLD SEPARATELY
2%	12347	WASHER, 3/8 IN....	1	MQ-45T ONLY
3	12348	HOSE		A/R ...MAKE LOCALLY
4	12349	BEARING	1	S/N 2345B AND ABOVE

NO. Column

Unique Symbols — All items with same unique symbol

(@, #, +, %, or >) in the number column belong to the same assembly or kit, which is indicated by a note in the “Remarks” column.

Duplicate Item Numbers — Duplicate numbers indicate multiple part numbers, which are in effect for the same general item, such as different size saw blade guards in use or a part that has been updated on newer versions of the same machine.

NOTICE

When ordering a part that has more than one item number listed, check the remarks column for help in determining the proper part to order.

PART NO. Column

Numbers Used — Part numbers can be indicated by a number, a blank entry, or TBD.

TBD (To Be Determined) is generally used to show a part that has not been assigned a formal part number at the time of publication.

A blank entry generally indicates that the item is not sold separately or is not sold by Multiquip. Other entries will be clarified in the “Remarks” Column.

QTY. Column

Numbers Used — Item quantity can be indicated by a number, a blank entry, or A/R.

A/R (As Required) is generally used for hoses or other parts that are sold in bulk and cut to length.

A blank entry generally indicates that the item is not sold separately. Other entries will be clarified in the “Remarks” Column.

REMARKS Column

Some of the most common notes found in the “Remarks” Column are listed below. Other additional notes needed to describe the item can also be shown.

Assembly/Kit — All items on the parts list with the same unique symbol will be included when this item is purchased.

Indicated by:

“INCLUDES ITEMS W/(unique symbol)”

Serial Number Break — Used to list an effective serial number range where a particular part is used.

Indicated by:

“S/N XXXXX AND BELOW”

“S/N XXXX AND ABOVE”

“S/N XXXX TO S/N XXX”

Specific Model Number Use — Indicates that the part is used only with the specific model number or model number variant listed. It can also be used to show a part is NOT used on a specific model or model number variant.

Indicated by:

“XXXXX ONLY”

“NOT USED ON XXXX”

“Make/Obtain Locally” — Indicates that the part can be purchased at any hardware shop or made out of available items. Examples include battery cables, shims, and certain washers and nuts.

“Not Sold Separately” — Indicates that an item cannot be purchased as a separate item and is either part of an assembly/kit that can be purchased, or is not available for sale through Multiquip.

DLW330X2 — SUGGESTED SPARE PARTS

DLW330X2 WELDER/GENERATOR WITH KUBOTA D902E3B DIESEL ENGINE

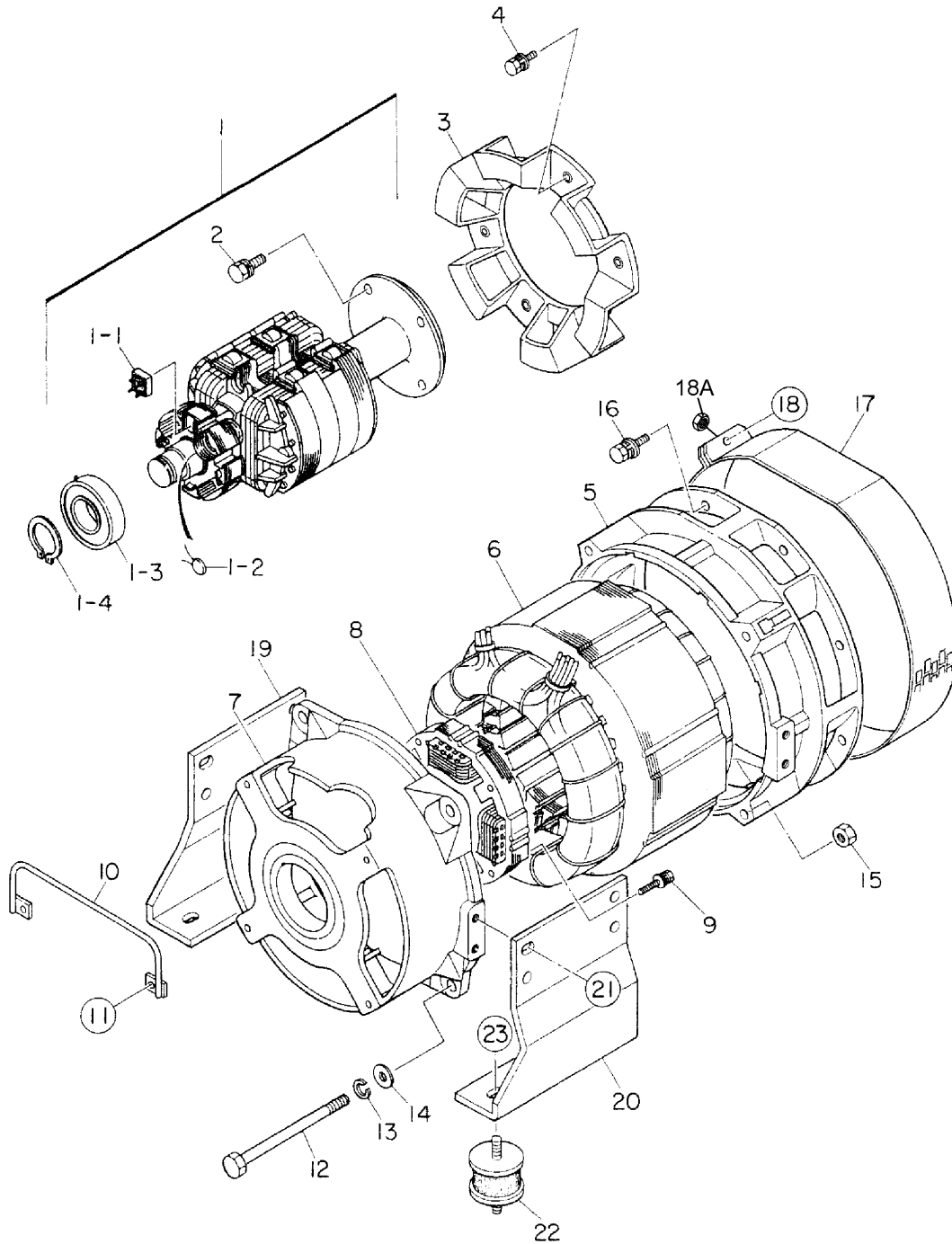
1 to 3 units

<u>QTY.</u>	<u>P/N</u>	<u>DESCRIPTION</u>
5.....	1585332435.....	CARTRIDGE, OIL FILTER
1.....	D4311500204.....	HOSE, RADIATOR UPPER
1.....	D4311500303.....	HOSE, RADIATOR LOWER
1.....	.0602011079.....	CAP, RADIATOR
1.....	.A9924800024.....	CAP, FUEL TANK
1.....	1584139010.....	SWITCH, OIL
6.....	.0602042463.....	FILTER, FUEL
6.....	.0602042174.....	FILTER, FUEL ELEMENT
3.....	.0602046391.....	FILTER, AIR (ELEMENT)
1.....	1747297011.....	FAN BELT
1.....	.0601806433.....	CIRCUIT BREAKER, 2P, 120V @ 20A
1.....	.0601806424.....	CIRCUIT BREAKER, 1P, 120V @ 30A
1.....	.0601806425.....	CIRCUIT BREAKER, 2P, 250V @ 30A
1.....	.0601820664.....	AUTOMATIC VOLTAGE REGULATOR
1.....	.0601840219.....	RHEOSTAT (CURRENT/VOLTAGE REGULATOR)
1.....	.0601840103.....	KNOB, RHEOSTAT (CURRENT/VOLTAGE REGULATOR)
1.....	.0601840095.....	RHEOSTAT (WELDING REG./TIME REGULATOR)
1.....	.0601840100.....	KNOB, RHEOSTAT (WELDING REG./TIME REGULATOR)
1.....	.0601840170.....	KNOB, RHEOSTAT (TIME REGULATOR)
5.....	.0601806642.....	FUSE, 5A
5.....	.0601806643.....	FUSE, 15A
5.....	.0601806646.....	FUSE, 20A
5.....	.0601806640.....	FUSE, 65A

NOTICE

Part number on this Suggested Spare Parts list may supersede/replace the P/N shown in the text pages of this book.

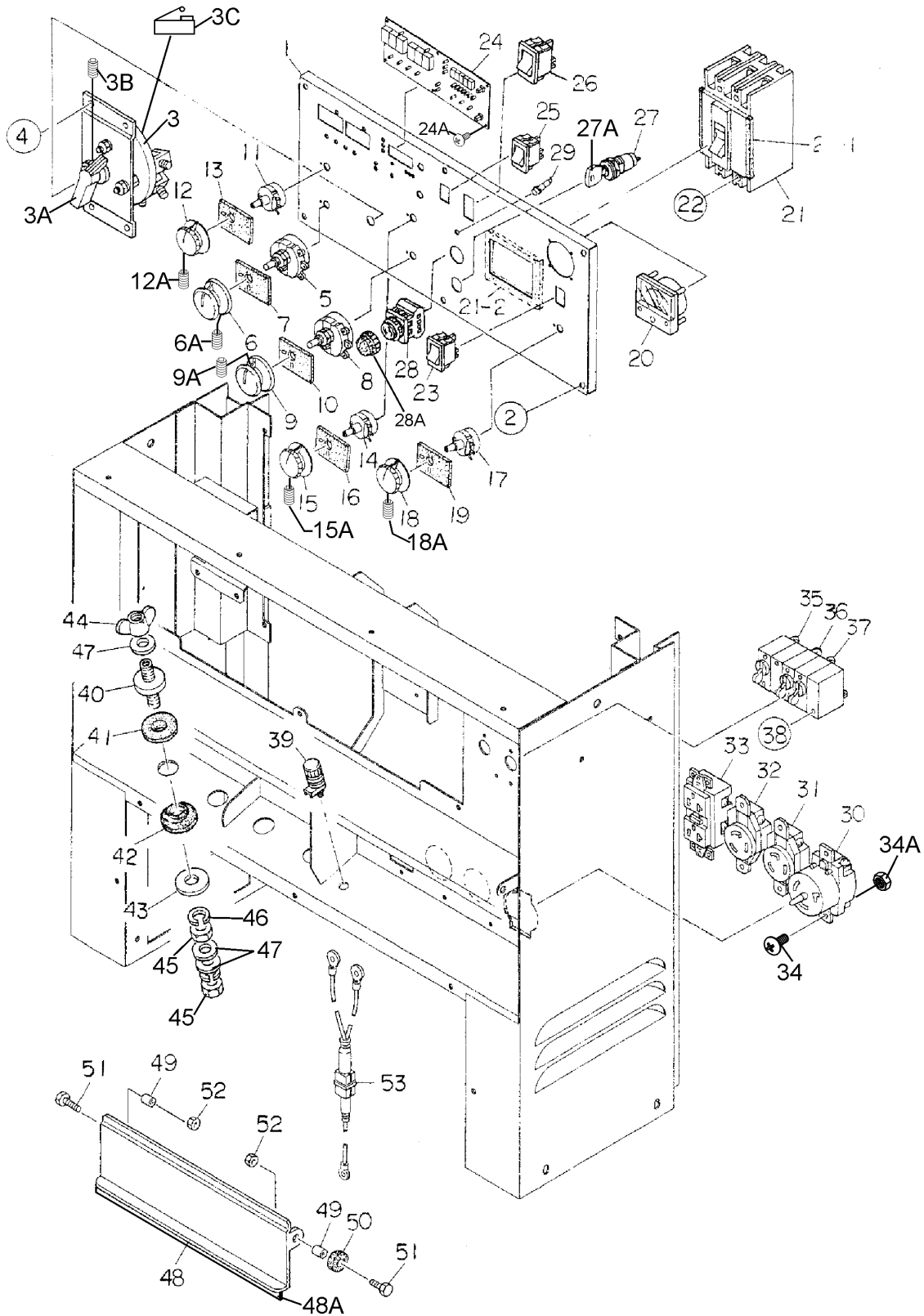
DLW330X2 — GENERATOR ASSY.



DLW330X2 — GENERATOR ASSY.

<u>NO.</u>	<u>PART NO.</u>	<u>PART NAME</u>	<u>QTY.</u>	<u>REMARKS</u>
1	D4110000203	ROTOR ASS'Y	1	
1-1	0601820037	RECTIFIER	1	
1-2	0601822638	SURGE ABSORBER	1	
1-3	0071206307	BEARING	1	
1-4	0080000035	SNAP RING	1	
2	0012410030	HEX HEAD BOLT	4	
3	D411100103	FAN	1	
4	0017108025	HEX HEAD BOLT	6	
5	D4153100102	END BRACKET	1	
6	D4134002503	ARMATURE ASS'Y	1	
7	D4153000202	END BRACKET	1	
8	D4139000003	FIELD ASS'Y, EXCITER	1	
9	0017105035	HEX HEAD BOLT	4	
10	D4185300004	BRACKET	1	
11	0016908020	HEX HEAD BOLT	2	
12	D4131200004	SET BOLT	4	
13	0040012000	WASHER, LOCK	4	
14	0041212000	WASHER, FLAT	4	
15	0030012000	HEX NUT	4	
16	0012410025	HEX HEAD BOLT	8	
17	D4155400204	COVER, FAN	1	
18	0017106040	HEX HEAD BOLT	1	
18A	0037906000	HEX NUT	1	
19	D2131100203	GENERATOR FOOT	1	
20	D2131100103	GENERATOR FOOT	1	
21	0012310025	HEX HEAD BOLT	8	
22	W7605419004	RUBBER SUSPENSION	2	
23	0207010000	HEX NUT	2	

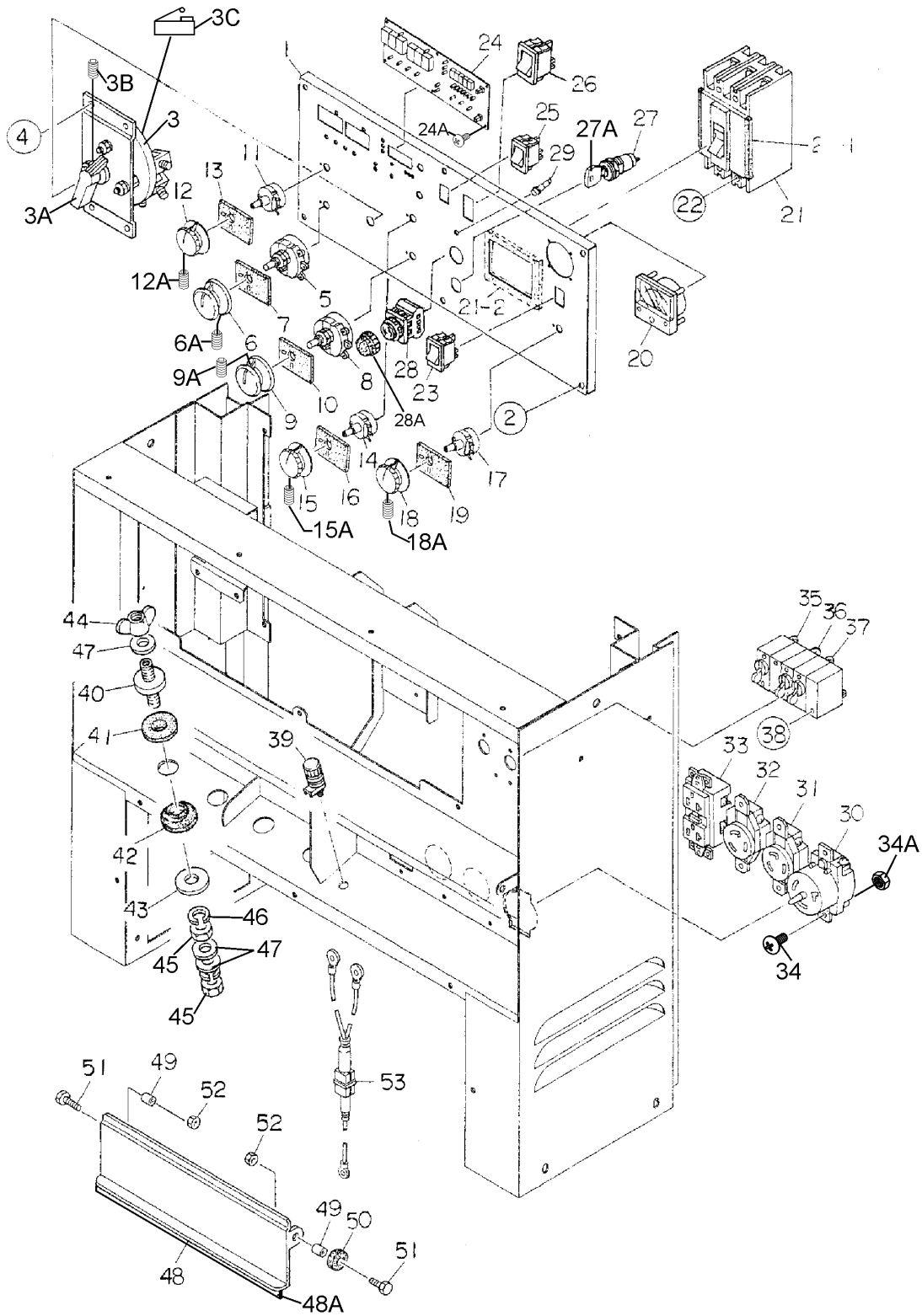
DLW330X2 — CONTROL PANEL ASSY.



DLW330X2 — CONTROL PANEL ASSY.

<u>NO.</u>	<u>PART NO.</u>	<u>PART NAME</u>	<u>QTY.</u>	<u>REMARKS</u>
1	D2511300602	CONTROL PANEL	1	
2	0021806030	MACHINE SCREW	6	
3	0601803075	SELECTOR SWITCH	1	
3A	0601803116	HANDLE	1	
3B	0025104018	SET SCREW	1	
3C	0601830014	MICRO SWITCH	1	
4	0017106015	HEX HEAD BOLT	4	
5	0601840219	RHEOSTAT (CURRENT/VOLTAGE REGULATOR)	1	
6	0601840103	KNOB	1	
6A	0023304008	SET SCREW	2	
7	W0801883003	INSULATOR	1	
8	0601840219	RHEOSTAT (CURRENT/VOLTAGE REGULATOR)	1	
9	0601840103	KNOB	1	
9A	0023304008	SET SCREW	2	
10	W0801883003	INSULATOR	1	
11	0601840095	RHEOSTAT (WELDING REGULATION)	1	
12	0601840100	KNOB	1	
9A	0023303508	SET SCREW	2	
13	W0801883003	INSULATOR	1	
14	0601840095	RHEOSTAT (WELDING REGULATION)	1	
15	0601840100	KNOB	1	
15A	0023303508	SET SCREW	2	
16	W0801883003	INSULATOR	1	
17	0601840095	RHEOSTAT (TIME REGULATOR)	1	
18	0601840170	KNOB	1	
18A	0023303508	SET SCREW	1	
19	W0801883003	INSULATOR	1	
20	0601800281	AC VOLTMETER	1	
21	0601806473	CIRCUIT BREAKER	1	
21-1	0317900080	RUBBER SEAL	2	
21-2	D5491400204	RUBBER SEAL	1	
22	0027504055	MACHINE SCREW	2	
23	0601831600	SWITCH, IDOLE STOP SELECTOR	1	
24	D4266204104	DIGITAL PANEL	1	
24A	0027103005	MACHINE SCREW	6	
25	0601831600	SWITCH, WELDING MODE SELECTOR	1	
26	0601831605	SWITCH, E MODE SELECTOR	1	

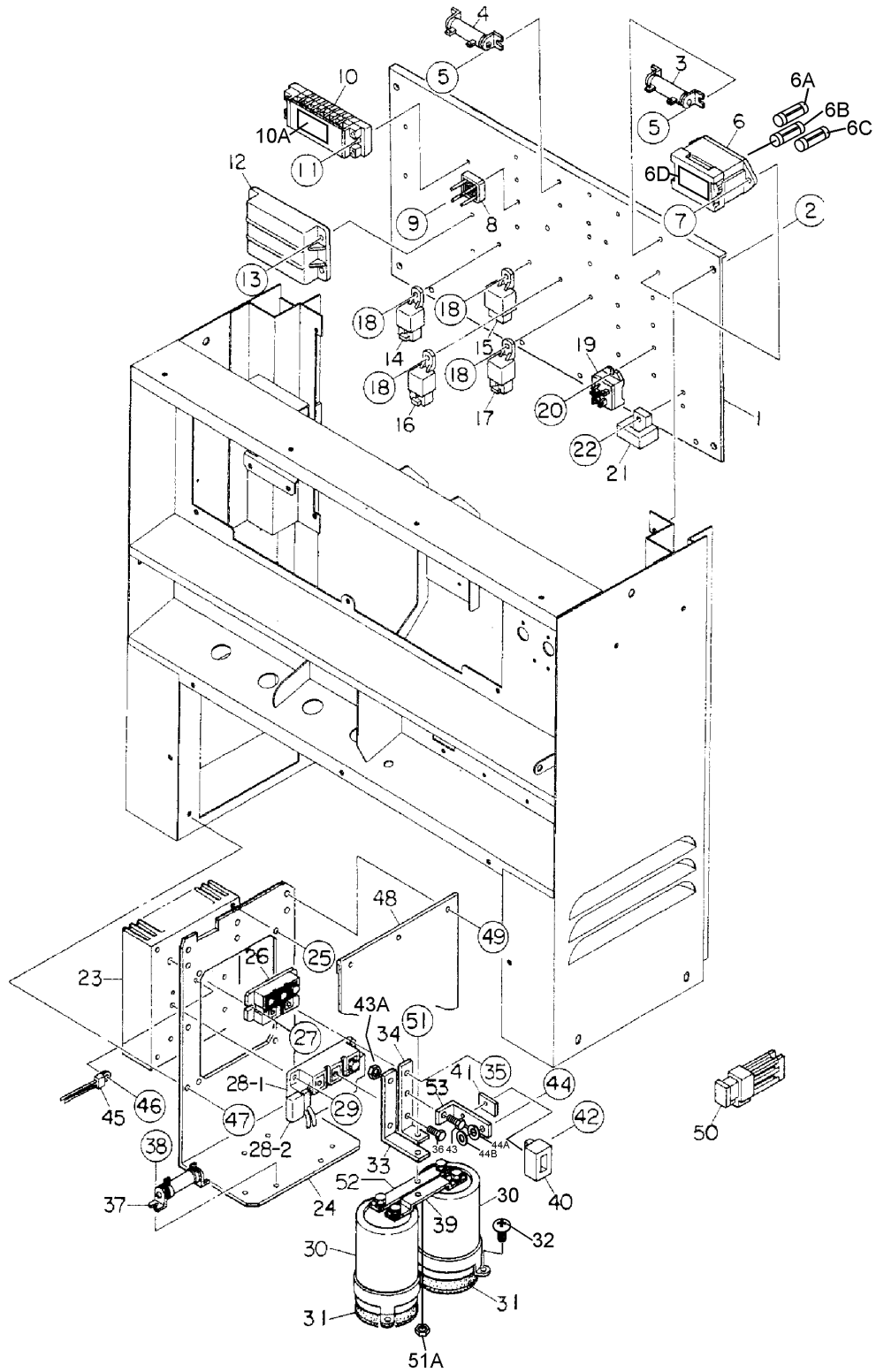
DLW330X2 — CONTROL PANEL ASSY. (CONTINUED)



DLW330X2 — CONTROL PANEL ASSY. (CONTINUED)

<u>NO.</u>	<u>PART NO.</u>	<u>PART NAME</u>	<u>QTY.</u>	<u>REMARKS</u>
27	0602100310	STARTER SWITCH	1	
27A	0602100240	KEY	1	
28	0601831966	ENGINE START BUTTON	1	
28A	0601832048	CAP	1	
29	06018 14114	LAMP	1	
30	0601812565	RECEPTACLE, 6369	1	
31	0601811033	RECEPTACLE, L6-30R	1	
32	0601 8 11035	RECEPTACLE, L530R	1	
33	0601814013	RECEPTACLE, 520R GF20LA	1	
34	0027104015	MACHINE SCREW	8	
34A	0207004000	HEX NUT	8	
35	0601806433	CIRCUIT BREAKER, 2P 20A	1	
36	0601806424	CIRCUIT BREAKER, 1P 30A	1	
37	0601806425	CIRCUIT BREAKER, 2P 30A	1	
38	0021003005	MACHINE SCREW	6	
39	0601815109	GROUND TERMINAL	1	
40	W0801888204	OUTPUT TERMINAL, WELDING	4	
41	W0801840104	INSULATOR WASHER	4	
42	W0801840004	INSULATOR WASHER	4	
43	W 0801841204	SET WASHER, OUTPUT TERMINAL	4	
44	W0801884004	WING NUT	4	
45	0039512000	HEX NUT	8	
46	0042212000	WASHER, LOCK	8	
47	0041412000	WASHER, FLAT	12	
48	D2237100103	COVER, OUTPUT TERMINAL	1	
48A	D2237400104	RUBBER SHEET	1	
49	W0821800014	COLLAR	2	
50	D9311200004	STAY RUBBER	1	
51	0016906020	HEX HEAD BOLT	2	
52	0038706000	HEX NUT	2	
53	D4268304704	NOISE FILTER	2	

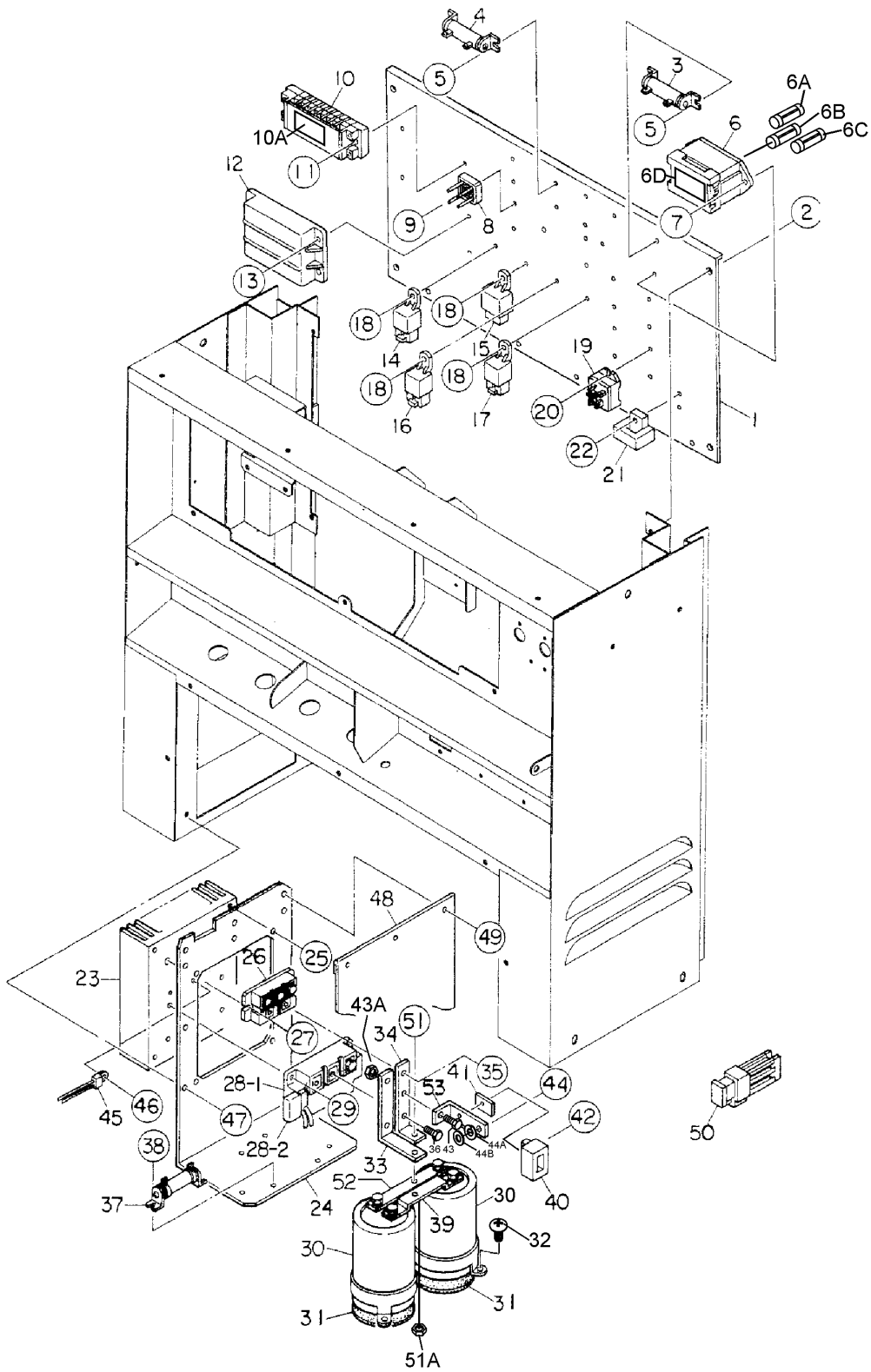
DLW330X2 — ELECTRIC PARTS (1) ASSY.



DLW330X2 — ELECTRIC PARTS (1) ASSY.

<u>NO.</u>	<u>PART NO.</u>	<u>PART NAME</u>	<u>QTY.</u>	<u>REMARKS</u>
1	D2260500203	SET PANEL, ELECTRIC PARTS	1	
2	0016906015	HEX HEAD BOLT	4	
3	0601842349	RESISTOR, 20W, 35 Ω	1	
4	0601842262	RESISTOR, 20W, 1K Ω	2	
5	0027104015	MACHINE SCREW	6	
6	D4213600104	FUSE BOX	1	
6A	0601806642	FUSE, 5A	3	
6B	0601806643	FUSE, 15A	2	
6C	0601806646	FUSE, 20A	2	
6D	D2551001104	DECAL; FUSE BOX	1	
7	0016905015	20W, 35 Ω HEAD BOLT	2	
8	0601823204	RECTIFIER	2	
9	0027103015	MACHINE SCREW	2	
10	0601815422	TERMINAL BOARD	1	
10A	D9521000704	DECAL; SYMBOL MARK	1	
11	0027104025	MACHINE SCREW	2	
12	0602200475	EMERGENCY UNIT	1	
13	0027105025	MACHINE SCREW	4	
14	0602202566	STARTER RELAY	1	
15	0602202632	GLOW RELAY	1	
16	0602202566	RELAY	1	
17	0601823707	RELAY	1	
18	0027105015	MACHINE SCREW	4	
19	0601827604	RELAY	2	
20	0027104015	MACHINE SCREW	4	
21	0601804203	DC CURRENT TRANSFORMER	1	
22	0027104015	MACHINE SCREW	1	
23	D2266300004	COOLING FIN	2	
24	D2261600104	BRACKET	2	
25	001690601 5	HEX HEAD BOLT	8	
26	0601823228	RECTIFIER	2	
27	0027105012	MACHINE SCREW	4	
28	D4268000403	IGBT MUDULE ASS'Y	2	
28-1	0601821258	IGBT MUDULE	2	
28-2	D9925800044	IGBT PROTECTIVE UNIT	2	
29	0027105012	MACHINE SCREW	8	
30	0601826146	CONDENSER, 10K μ F	4	

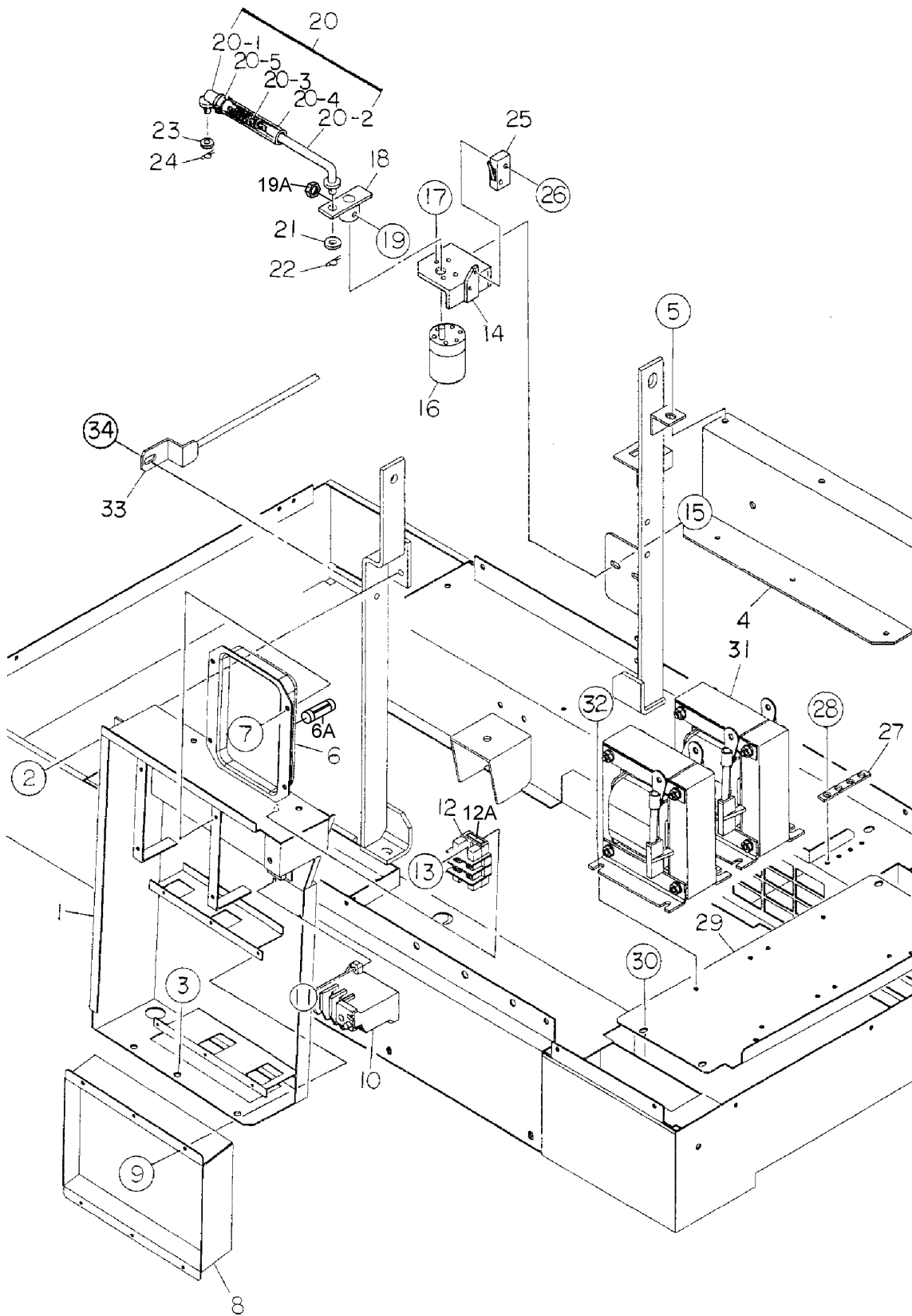
DLW330X2 — ELECTRIC PARTS (1) ASSY. CONTINUED)



DLW330X2 — ELECTRIC PARTS (1) ASSY. CONTINUED)

<u>NO.</u>	<u>PART NO.</u>	<u>PART NAME</u>	<u>QTY.</u>	<u>REMARKS</u>
31	D5261800404	INSULATOR RUBBER	4	
32	0027104010	MACHINE SCREW	12	
33	D2267300104	CONNECTION PLATE	2	
34	D2267300004	CONNECTION PLATE	2	
35	0017805012	HEX HEAD BOLT	10	
36	0017806014	HEX HEAD BOLT	6	
37	0601842262	RESISTOR, 20W, 1K Ω	2	
38	0027104010	MACHINE SCREW	4	
39	D4268304204	CONNECTION PLATE	2	
40	0601804202	DC CURRENT TRANSFORMER	2	
41	D4235400004	INSULATOR	2	
42	0027104020	MACHINE SCREW	2	
43	0017106020	HEX HEAD BOLT	2	
43A	0207206000	HEX NUT	2	
44	0019008015	HEX HEAD BOLT	2	
44A	0040008000	WASHER, LOCK	2	
44B	0042708000	WASHER, FLAT	2	
45	D2266300104	THERMISTER	2	
46	0021003010	MACHINE SCREW	2	
47	0016906015	HEX HEAD BOLT	14	
48	D2261700004	COVER, ELECTRIC PARTS	2	
49	0605011412	RIVET	8	
50	0601806640	FUSE, 65A	2	
51	0017106020	HEX HEAD BOLT	4	
51A	0207006000	HEX NUT	4	
52	D2267300204	CONNECTION PLATE	2	
52	D2267300604	CONNECTION PLATE	2	

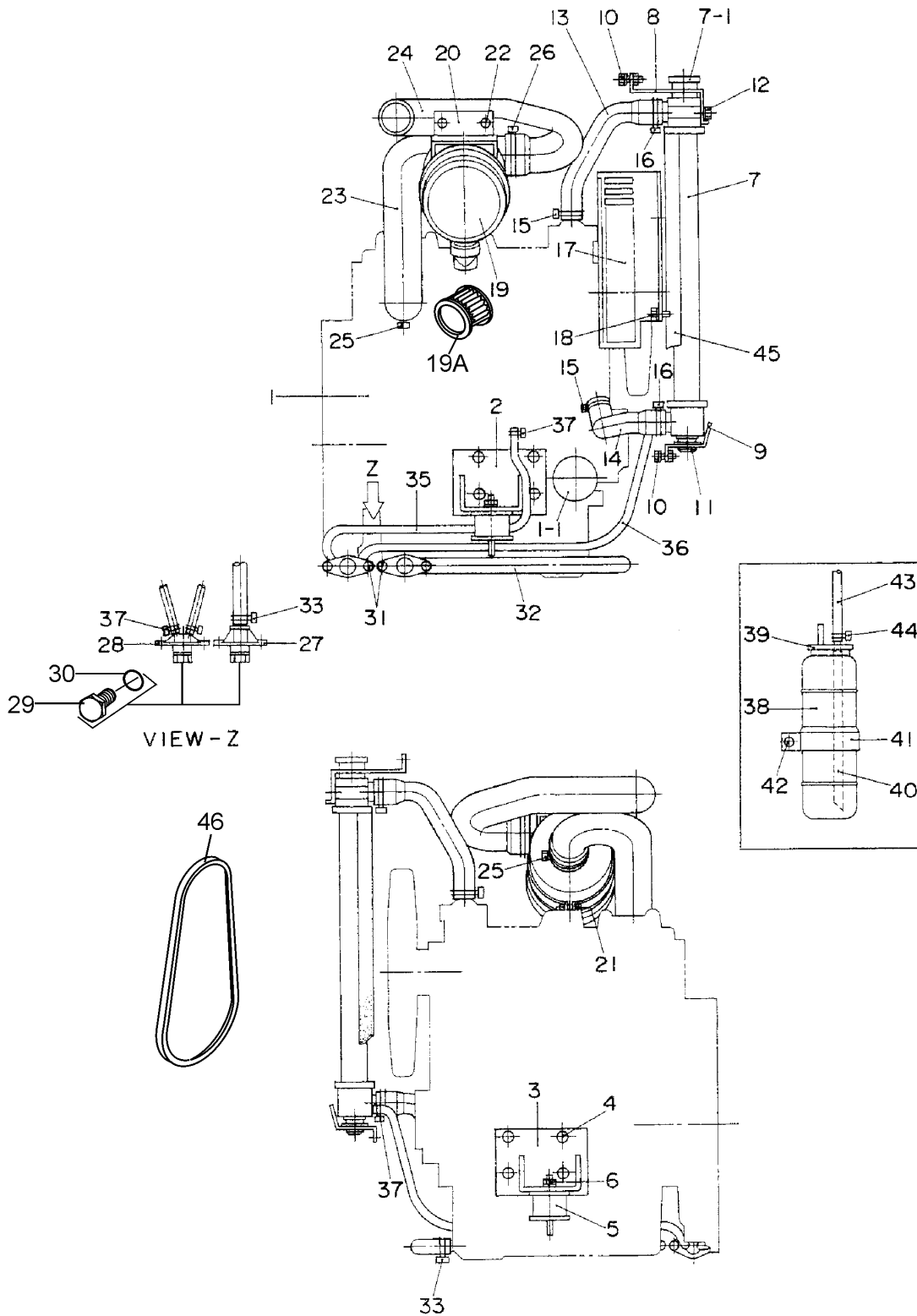
DLW330X2 — ELECTRIC PARTS (2) ASSY.



DLW330X2 — ELECTRIC PARTS (2) ASSY.

<u>NO.</u>	<u>PART NO.</u>	<u>PART NAME</u>	<u>QTY.</u>	<u>REMARKS</u>
1	D2434000202	SUPPORT, FUEL TANK	1	
2	0016908020	HEX HEAD BOLT	2	
3	0016906015	HEX HEAD BOLT	3	
4	D2434000304	SUPPORT, FUEL TANK	1	
5	0016908020	HEX HEAD BOLT	2	
6	0601820664	AUTOMATIC VOLTAGE REGULATOR	1	
6A	0601806682	FUSE, 5A	1	
7	0016905015	HEX HEAD BOLT	4	
8	D4266204004	CONTROL UNIT	1	
9	0016904015	HEX HEAD BOLT	6	
10	0601820836	OVER CURRENNT RELAY	1	
11	0027104015	MACHINE SCREW	2	
12	0601815730	TERMINAL BOARD	1	
12A	D9521002004	DECAL;SYMBOL MARK	1	
13	0027104020	MACHINE SCREW	2	
14	D4355600504	BRACKET, GEARED MOTOR	1	
15	0016906015	HEX HEAD BOLT	2	
16	0601822721	GEARED MOTOR	1	
17	0027203006	MACHINE SCREW	4	
18	D4358800014	ARM, GEARED MOTOR	1	
19	0010106020	HEX HEAD BOLT	1	
19A	0030006000	HEX NUT	1	
20	D4355000004	GOVERNOR ROD ASS'Y	1	
20-1	D4355300304	GOVERNOR ROD	1	
20-2	D4355300204	GOVERNOR ROD	1	
20-3	D4355600404	SPRING	1	
20-4	0264900100	HOSE	1	
20-5	Y 0605515227	BAND	1	
21	0041208000	WASHER, FLAT	1	
22	06050 10503	SNAP PIN	1	
23	0041206000	WASHER, FLAT	1	
24	0605010502	SNAP PIN	1	
25	0601830370	LIMIT SWITCH	1	
26	0027203015	MACHINE SCREW	2	
27	B1262800004	PLATE	1	
28	0016906015	HEX HEAD BOLT	4	
29	D2214100003	BRACKET, REACTOR	1	
30	0016906015	HEX HEAD BOLT	4	
31	D4263504303	DC REACTOR	2	
32	0016906015	HEX HEAD BOLT	8	
33	D4261800303	CLAMPER ROD	1	
34	0016908020	HEX HEAD BOLT	2	

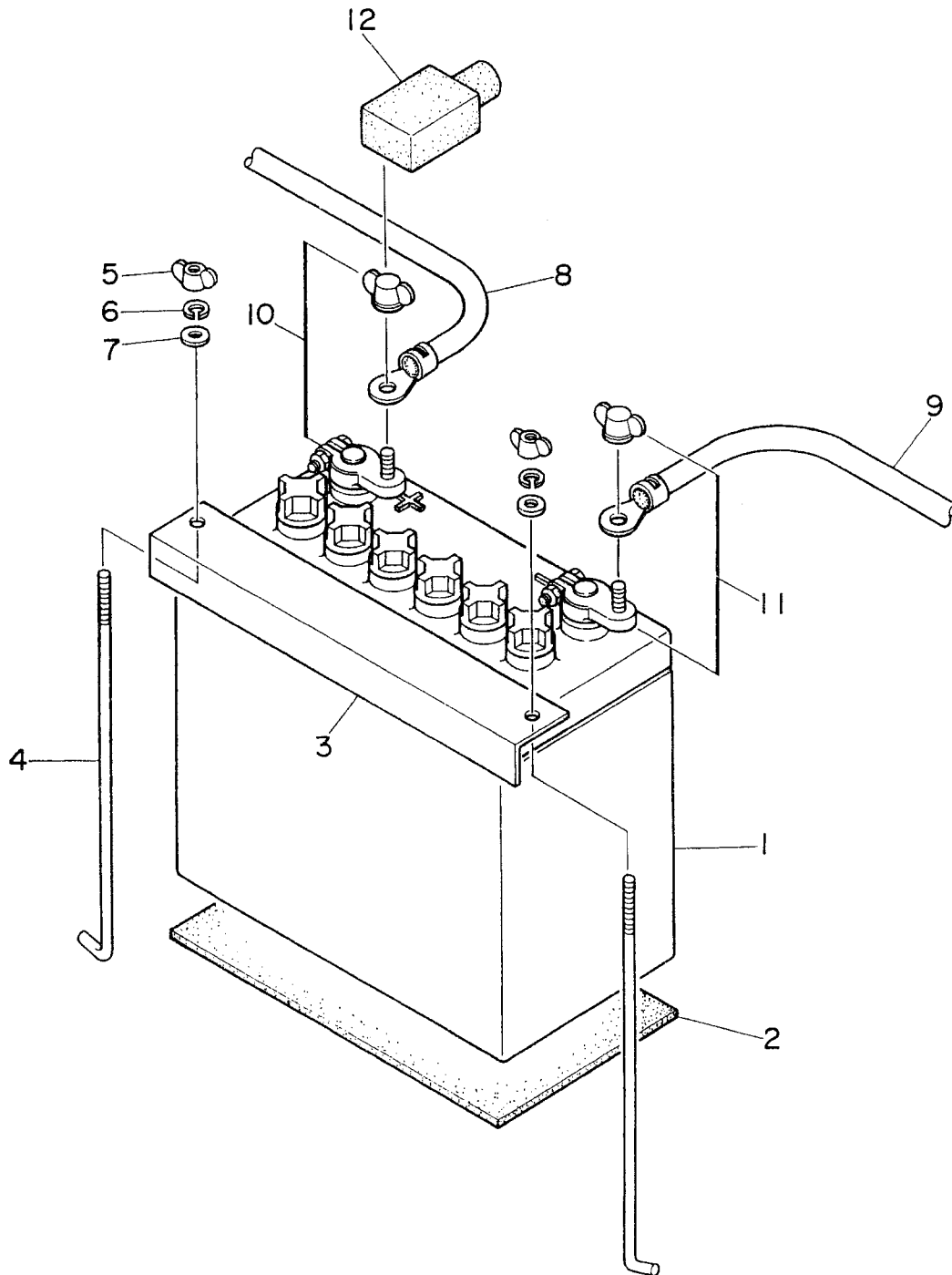
DLW330X2 — ENGINE AND RADIATOR ASSY.



DLW330X2 — ENGINE AND RADIATOR ASSY.

<u>NO.</u>	<u>PART NO.</u>	<u>PART NAME</u>	<u>QTY.</u>	<u>REMARKS</u>
1	D2924200034	ENGINE, KUBOTA D902E3BWDDE2	1	
1-1	1585332435	CARTRIDGE, OIL FILTER	1	REPLACES P/N 0602041273
2	D4304200404	ENGINE FOOT	1	
3	D4304200504	ENGINE FOOT	1	
4	0010710020	HEX HEAD BOLT	8	
5	W7605419004	RUBBER SUSPENSION	2	
6	0207010000	HEX NUT	2	
7	0602012779	RADIATOR	1	
7-1	0602011079	CAP, RADIATOR	1	
8	D4311100304	BRACKET, RADIATOR	1	
9	D4312100813	BRACKET, RADIATOR	1	
10	0016906015	HEX HEAD BOLT	5	
11	B1312600004	RUBBER MOUNT	2	
12	0016906015	HEX HEAD BOLT	2	
13	D4311500204	RADIATOR HOSE, UPPER	1	
14	D4311500303	RADIATOR HOSE, LOWER	1	
15	0605515003	HOSE BAND	2	
16	0605515134	HOSE BAND	2	
17	D4311200203	FAN GUARD	1	
18	0016906015	HEX HEAD BOLT	2	
19	0602046266	AIR CLEANER	1	
19A	0602046391	ELEMENT, AIR CLEANER	1	
20	W8712031503	BAND, AIR CLEANER	1	
21	0016908025	HEX HEAD BOLT	1	
22	0016908020	HEX HEAD BOLT	2	
23	D4374100103	HOSE, AIR CLEANER	1	
24	D4374100003	HOSE, AIR CLEANER	1	
25	0605515021	HOSE BAND	2	
26	0605515021	HOSE BAND	1	
27	W1502025103	DRAIN JOINT, OIL	1	
28	W1622014103	DRAIN JOINT, WATER	1	
29	W0802011104	PLUG	2	
30	0150000018	O-RING	2	
31	0016906015	HEX HEAD BOLT	4	
32	D2321100003	DRAIN HOSE	1	
33	0605515132	HOSE BAND	2	
35	0199900700	DRAIN HOSE	1	
36	0199900850	DRAIN HOSE	1	
37	0605515094	HOSE BAND	4	
38	W0802081403	RESERVE TANK	1	
39	W0802081104	CAP, RESERVE TANK	1	
40	0199100215	HOSE	1	
41	W6262082304	BRACKET, RESERVE TANK	1	
42	0016906015	HEX HEAD BOLT	1	
43	01999 00460	HOSE	1	
44	0605515094	HOSE BAND	2	
45	0220300375	RUBBER SEAL	2	
46	1747297011	FAN BELT	1	REPLACES P/N 0602011470

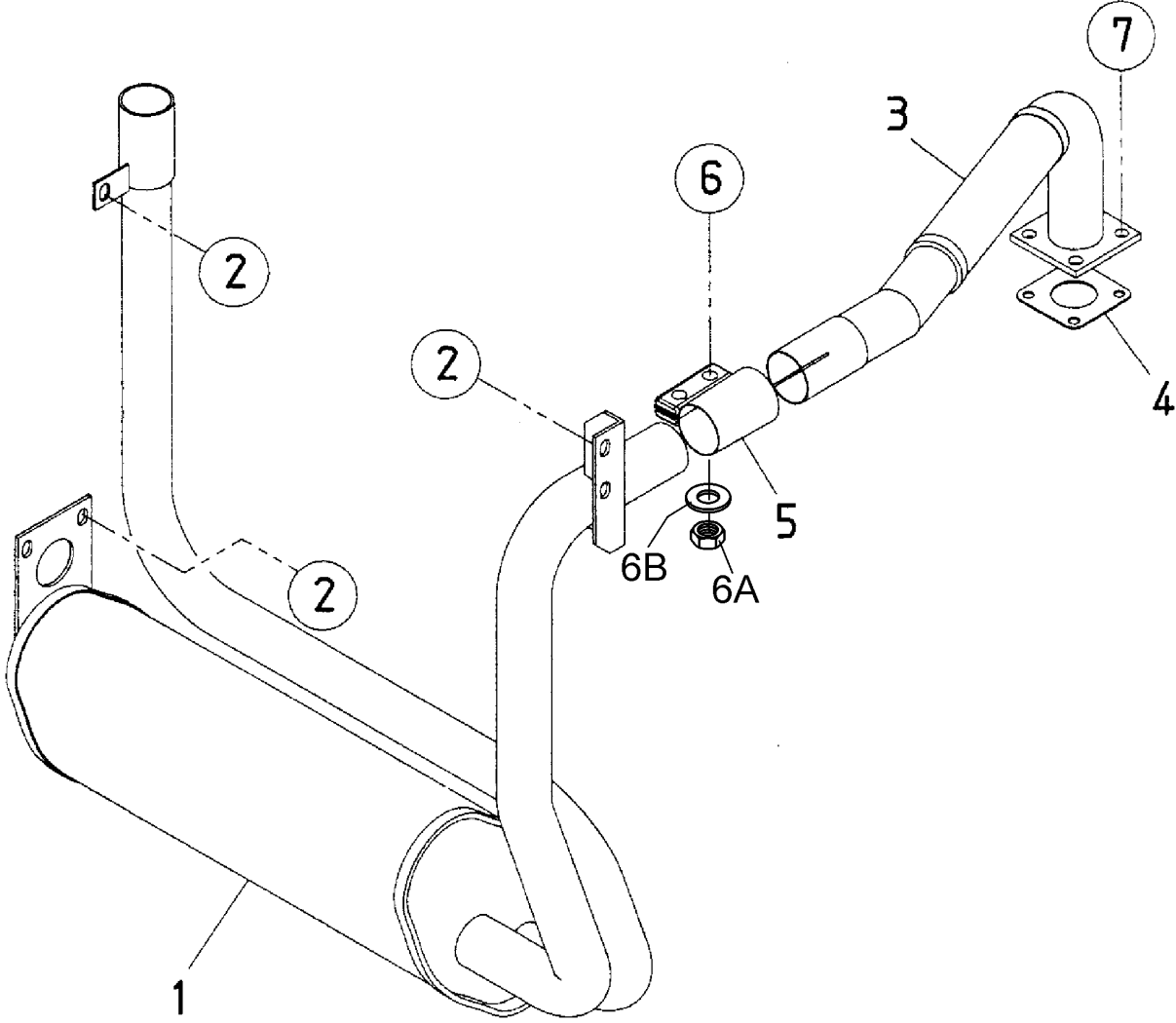
DLW330X2 — BATTERY ASSY.



DLW330X2 — BATTERY ASSY.

<u>NO.</u>	<u>PART NO.</u>	<u>PART NAME</u>	<u>QTY.</u>	<u>REMARKS</u>
1	0166105524	BATTERY	1	
2	W8722251004	BATTERY SHEET	1	
3	W7552253004	BATTERY BAND	1	
4	W7872251004	BATTERY BOLT	2	
5	0037806000	WING NUT	2	
6	00400 06000	WASHER, LOCK	2	
7	0041606000	WASHER, FLAT	2	
8		BATTERY CABLE	1	MAKE LOCALLY
9		BATTERY CABLE	1	MAKE LOCALLY
10	06022 2031 2	TERMINAL ASS'Y	1	
11	06022 2031 3	TERMINAL ASS'Y	1	
12	06022 20600	TERMINAL CAP	1	

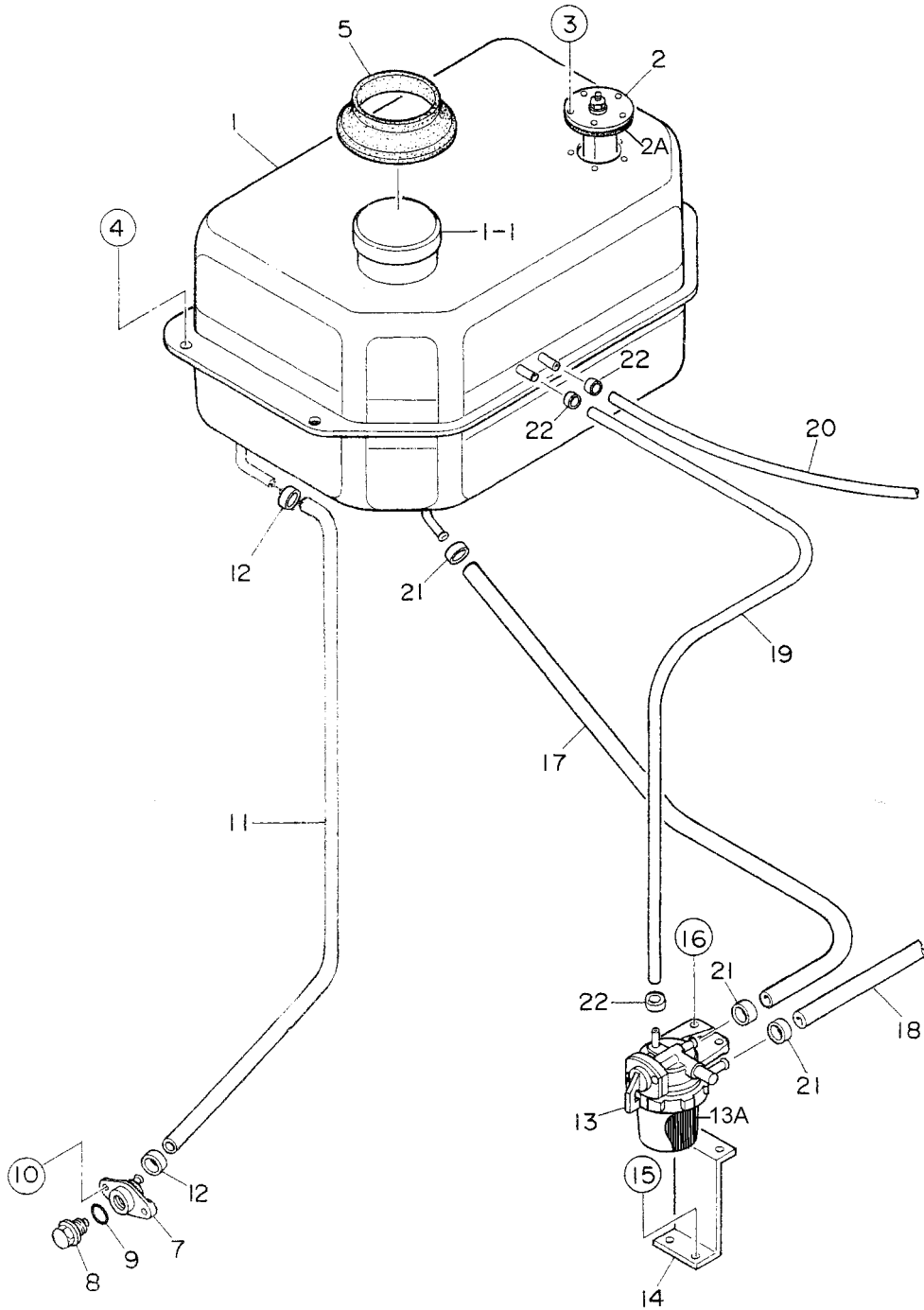
DLW330X2 — MUFFLER ASSY.



DLW330X2 — MUFFLER ASSY.

<u>NO.</u>	<u>PART NO.</u>	<u>PART NAME</u>	<u>QTY.</u>	<u>REMARKS</u>
1	D2331100003	MUFFLER	1	
2	0016908020	HEX HEAD BOLT	5	
3	D4334000203	EXHAUST PIPE	1	
4	1526312371	GASKET.....	1	REPLACES P/N 0602320153
5	0602325094	SEAL CLAMP	1	
6	0341510040	HEX HEAD BOLT	21	
6A	0207110000	HEX NUT	2	
6B	0042410000	WASHER, FLAT	2	
7	0207008000	HEX NUT	4	

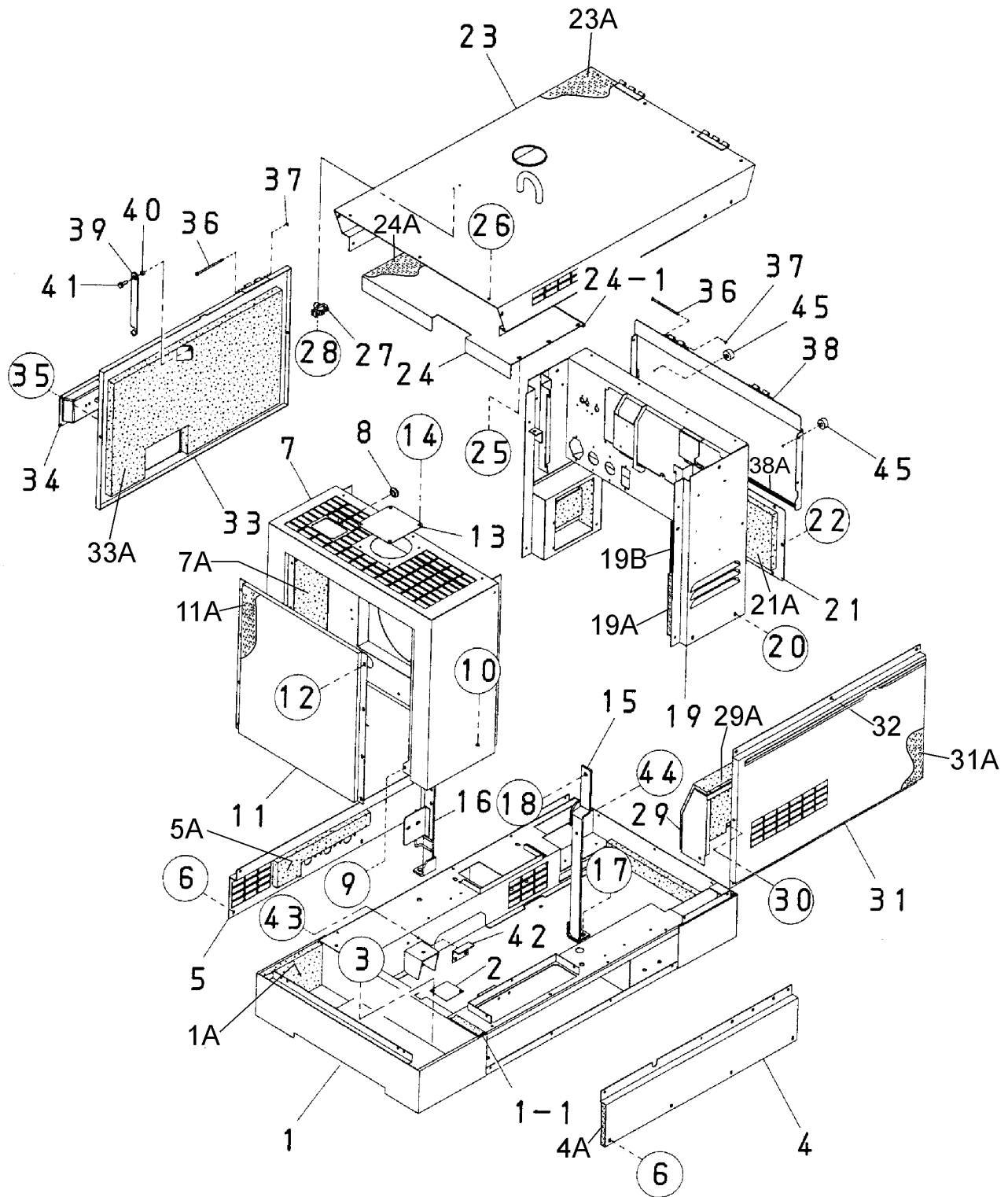
DLW330X2 — FUEL TANK ASSY.



DLW330X2 — FUEL TANK ASSY.

<u>NO.</u>	<u>PART NO.</u>	<u>PART NAME</u>	<u>QTY.</u>	<u>REMARKS</u>
1	D2364000103	FUEL TANK	1	
1-1	A9924800024	CAP, FUEL TANK	1	
2	E2924300244	SENDER, FUEL GAUGE	1	
2A	1924300184	GASKET	1	
3	002290501 5	MACHINE SCREW	5	
4	0016908020	HEX HEAD BOLT	4	
5	B9312400004	RUBBER SEA!	1	
7	W7812014003	DRAIN JOINT	1	
8	W0802011104	PLUG	1	
9	0150000018	O-RING	1	
10	0016906015	HEX HEAD BOLT	2	
11	0199900900	DRAIN HOSE	1	
12	0605515094	HOSE BAND	2	
13	0602042463	FUEL FILTER	1	
13A	0602042174	ELEMENT, FUEL FILTER	1	
14	D4367700004	BRACKET, FUEL FILTER	1	
15	0016906020	HEX HEAD BOLT	2	
16	0016908025	HEX HEAD BOLT	2	
17	0199900220	SUCTION HOSE	1	
18	0199900800	SUCTION HOSE	1	
19	0199700450	RETURN HOSE	1	
20	0199700230	RETURN HOSE	1	
21	0605515094	HOSE BAND	4	
22	0605515093	HOSE BAND	4	

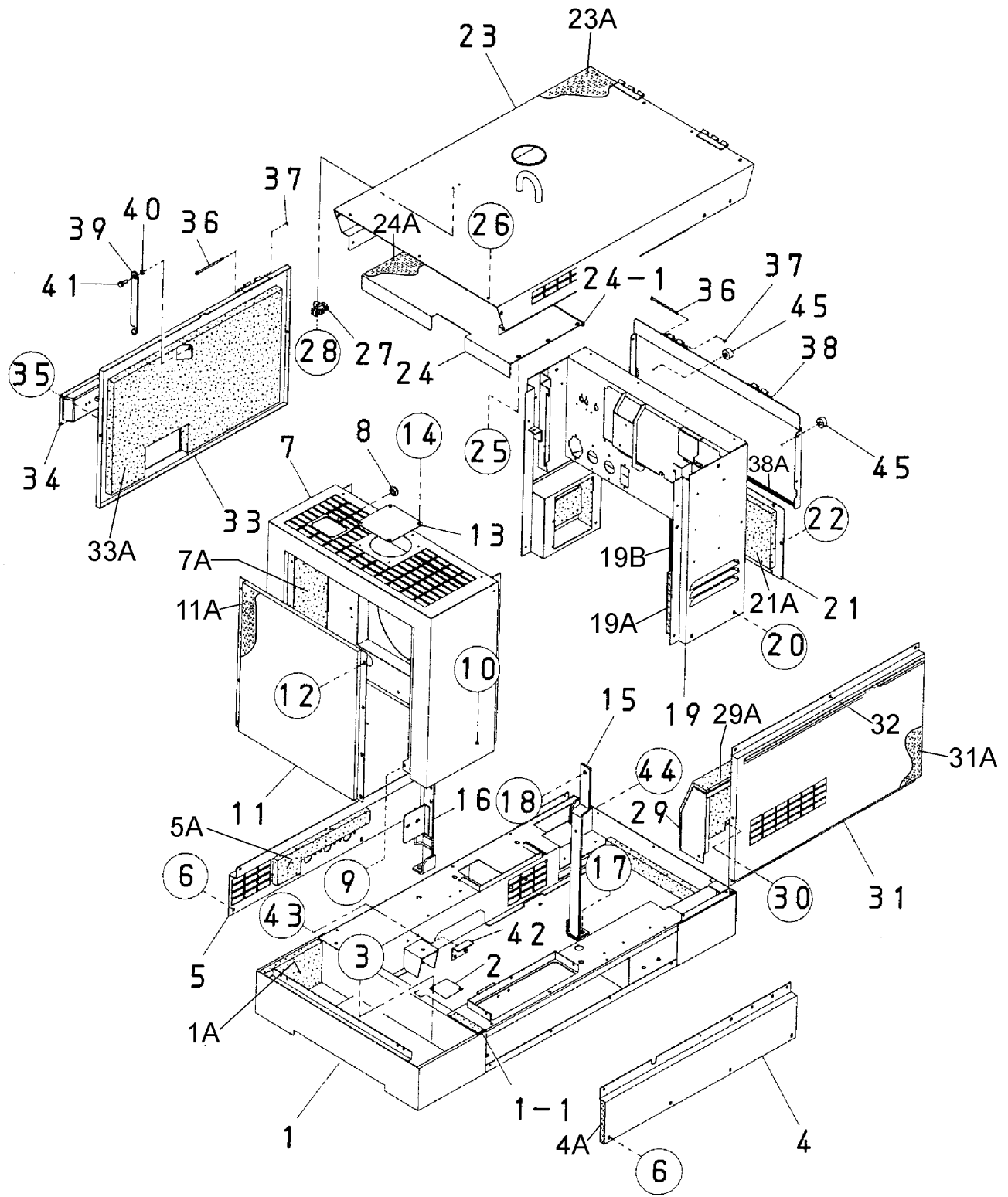
DLW330X2 — ENCLOSURE ASSY.



DLW330X2 — ENCLOSURE ASSY.

<u>NO.</u>	<u>PART NO.</u>	<u>PART NAME</u>	<u>QTY.</u>	<u>REMARKS</u>
1	D2414000102	BASE	1	
1A	D2494000003	LINING	1	
1-1	0314900680	RUBBER SEAL	1	
2	D3414800104	FLOOR PANEL	1	
3	0016906015	HEX HEAD BOLT	2	
4	D4414300803	SPLASHER PANEL	1	
4A	D2490100004	LINING	1	
5	D2414300003	SPLASHER PANEL	1	
5A	D2490100004	LINING	1	
6	0016906015	HEX HEAD BOLT	16	
7	D4424000702	FRONT FRAME	1	
7A	D4494100503	LINING	1	
8	0601850239	GROMMET	1	
9	0016906015	HEX HEAD BOLT	2	
10	0016908020	HEX HEAD BOLT	2	
11	D2424200003	COVER, FRONT FRAME	1	
11A	D4494301004	LINING	1	
12	0016906015	HEX HEAD BOLT	8	
13	D4425200804	COVER, RADIATOR CAP	1	
14	0016906015	HEX HEAD BOLT	4	
15	D2434300103	HANGER	1	
16	D2434300003	HANGER	1	
17	0012312030	HEX HEAD BOLT	2	
18	0012312030	HEX HEAD BOLT	2	
19	D2444000202	REAR FRAME	1	
19A	D 2494300004	LINING	1	
19B	D2491400004	RUBBER SEAL	2	
20	0016906015	HEX HEAD BOLT	4	
21	D2444300004	COVER, REAR FRAME	1	
21A	D2494300104	LINING	1	
22	0016906015	HEX HEAD BOLT	8	
23	D2464000102	ROOF PANEL	1	
23A	D2494500103	LINING	1	
24	D4464400104	PANEL	1	
24A	D2494500103	LINING	1	
24-1	0314900620	RUBBER SEAL	1	

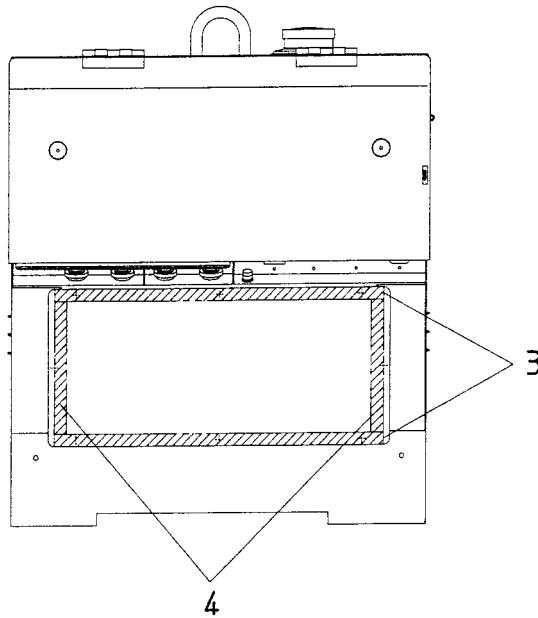
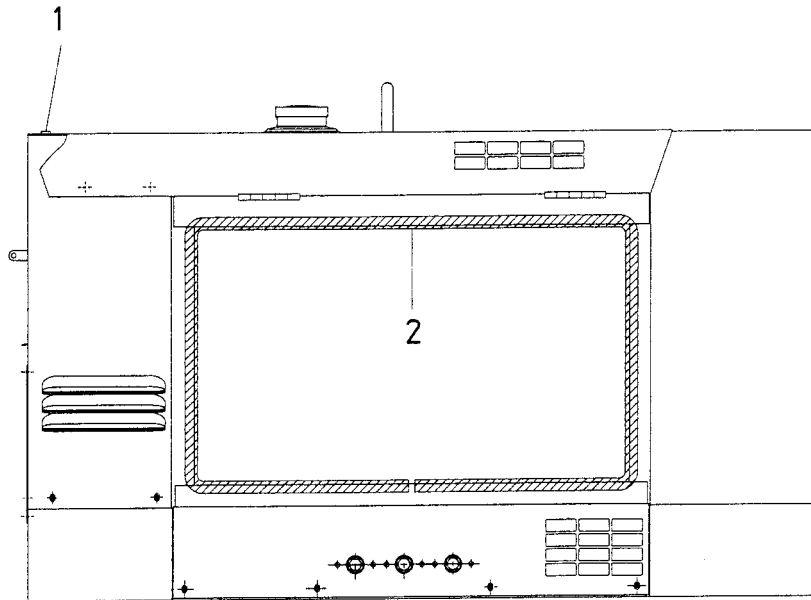
DLW330X2 — ENCLOSURE ASSY. CONTINUED)



DLW330X2 — ENCLOSURE ASSY. CONTINUED)

<u>NO.</u>	<u>PART NO.</u>	<u>PART NAME</u>	<u>QTY.</u>	<u>REMARKS</u>
25	0016906015	HEX HEAD BOLT	6	
26	0016906015	HEX HEAD BOLT	13	
27	Y 0601830347	LIMIT SWITCH	1	
28	0027104025	MACHINE SCREW	2	
29	D4454300403	DUCT	1	
29A	D4494401403	LINING	1	
30	0016906015	HEX HEAD BOLT	3	
31	D4454100203	SIDE PANEL	1	
31A	D4494401304	LINING	1	
32	0016906015	HEX HEAD BOLT	6	
33	D2454000103	SIDE DOOR	1	
33A	D2494400004	LINING	1	
34	B9114000002	DOOR HANDLE	1	
35	0021806015	MACHINE SCREW	4	
36	W0810014704	PIN	4	
37	0080200004	SNAP RING	4	
38	D2444200003	DOOR, REAR FRAME	1	
38A	0226900685	RUBBER SEAL	1	
39	D4454700304	DOOR STAY	1	
40	W7835088004	COLLAR	1	
41	0017108020	HEX HEAD BOLT	1	
42	D4304200604	STOPPER	2	
43	0016908020	HEX HEAD BOLT	4	
44	0019208015	HEX HEAD BOLT	1	
44A	0040508000	TOOTHED WASHER	1	
44B	0016908015	HEX HEAD BOLT	1	
45	0601851613	STOPPER	2	

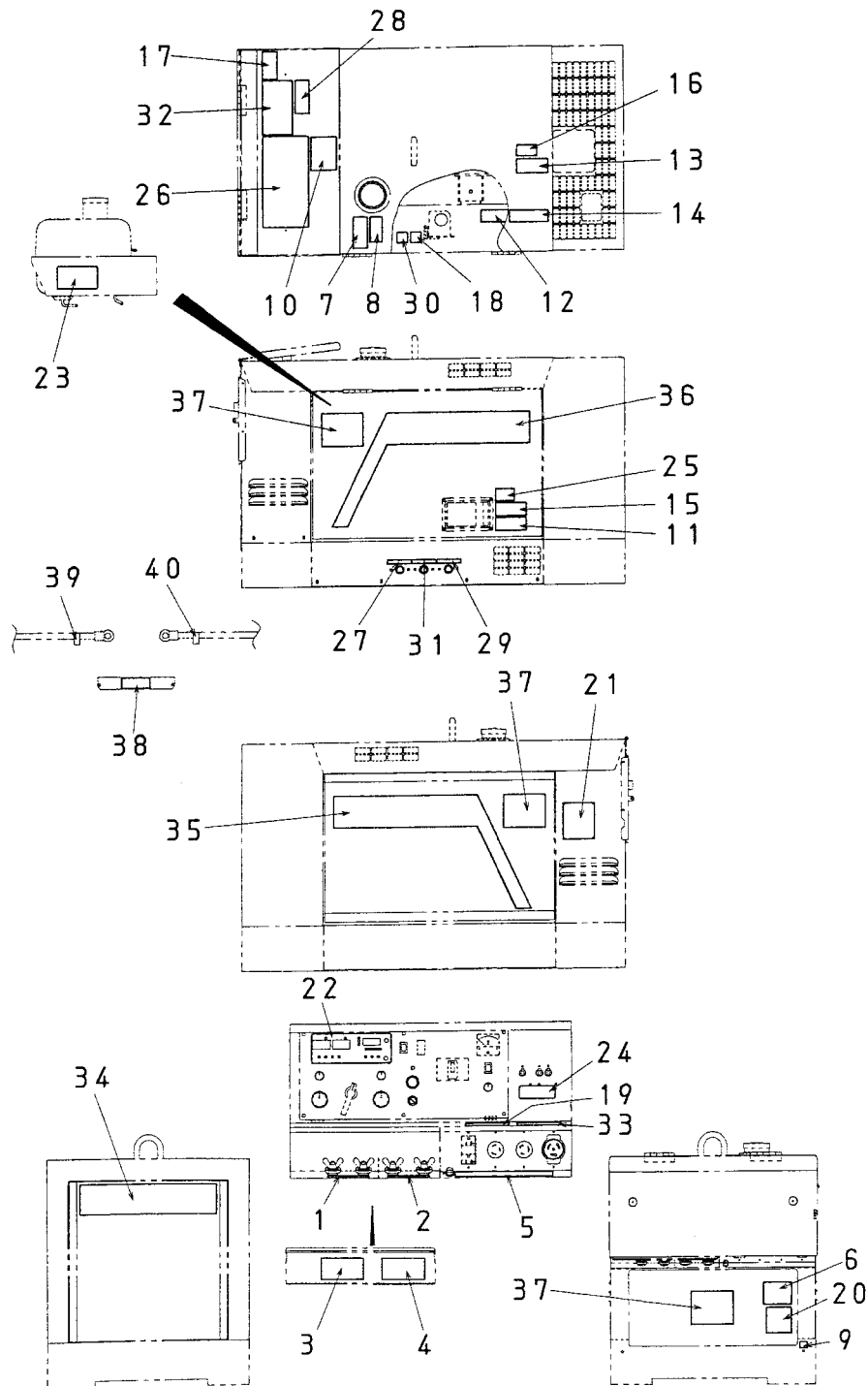
DLW330X2 — RUBBER SEALS ASSY.



DLW330X2 — RUBBER SEALS ASSY.

<u>NO.</u>	<u>PART NO.</u>	<u>PART NAME</u>	<u>QTY.</u>	<u>REMARKS</u>
1	0314900680	RUBBER SEAL	1	
2	0314602280	RUBBER SEAL	1	
3	0228300540	RUBBER SEAL	2	
4	0228300215	RUBBER SEAL	2	

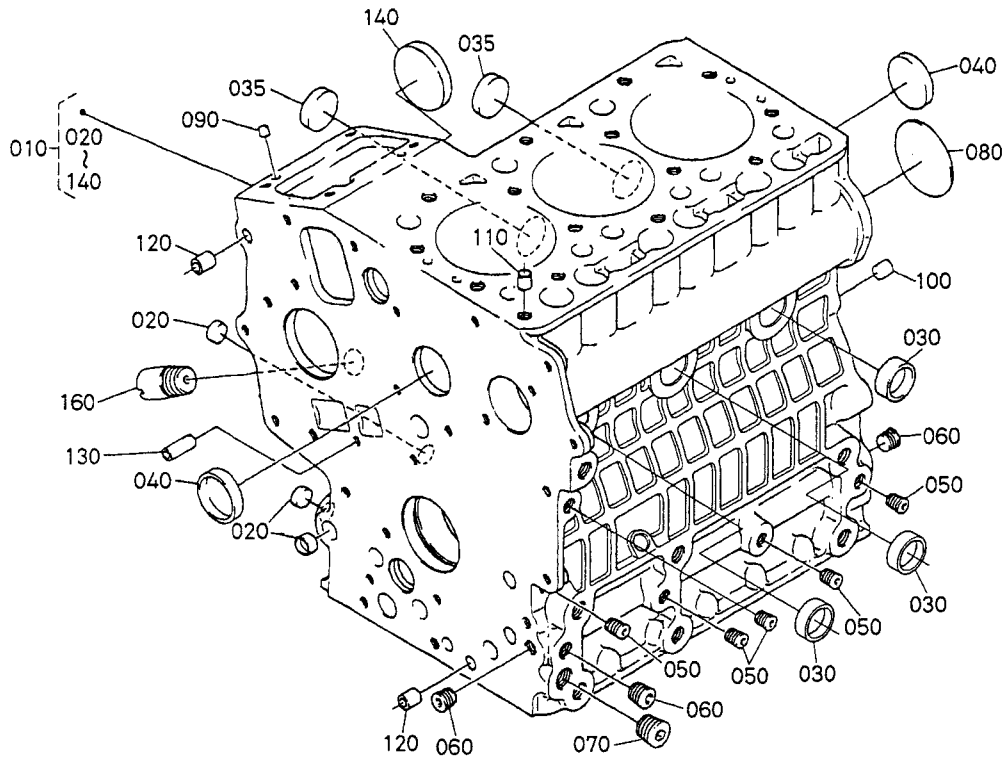
DLW330X2 — NAMEPLATE AND DECALS ASSY.



DLW330X2 — NAMEPLATE AND DECALS ASSY.

<u>NO.</u>	<u>PART NO.</u>	<u>PART NAME</u>	<u>QTY.</u>	<u>REMARKS</u>
1	D5551001904	DECAL; A WELDING OUTPUT TERMINAL.....	1	D55100190
2	D5551002004	DECAL; B WELDING OUTPUT TERMINAL.....	1	D55100200
3	D5551002104	DECAL; A WELDING OUTPUT TERMINAL.....	1	D55100210
4	D5551002204	DECAL; B WELDING OUTPUT TERMINAL.....	1	D55100220
5	D4551002603	DECAL; OUTPUT TERMINAL.....	1	D45100260
6	A9504000014	DECAL; WARNING, DANGEROUS GAS.....	1	A90400001
7	B9504500004	DECAL; WARNING FIRE	1	B90450000
8	A9504501204	DECAL; DIESEL FUEL	1	A90450120
9	W0800628504	DECAL; GROUND	1	S-1123
10	W6390671104	DECAL; LMPORTANT "CHECK DAILY".....	1	S-2377
11	B9504000404	DECAL; MOVING PARTS.....	1	B90400040
12	W8700611524	DECAT; WAMING DIESEL OIL	1	S-4926B
13	B9504100104	DECAL; WARNING RADIATOR CAP	1	B90410010
14	W8700611804	DECAL; DANGER AGAINST EXHAUST GAS	1	S-4984
15	B9504000304	DECAL; CAUTION HOT PARTS.....	1	B90400030
16	W7810680204	DECAL;COOLING WATER	1	S-3061
17	W0820610404	DECAL; CAUTION	1	S-3627
18	W1980680004	DECAL; FUEL COCK.....	1	S-3704
19	W8700611904	DECAL; DANGER ELECTRICAL SHOCK	1	S-4985
20	B9531100004	DECAL; DANGER (GROUND).....	1	D93110000
21	D2531100604	DECAL; SPECIFICATION	1	D23110060A
22	D2551000603	DECAL; OPERATION INDICATION	1	
23	D2551001004	DECAL; ERROR LOAD.....	1	D25100100
24	D2551000804	DECAL; AC CIRCUIT PROTECTOR.....	1	D25100080
25	W1630610504	DECAL; CAUTION DOOR.....	1	S-1409
26	D2551000703	DECAL; OPERATING PROCEDURE.....	1	D25100070A
27	W7810680104	DECAL; FUEL DRAIN	1	S-3060
28	D9522100204	DECAL; PROPOSITION 65 WARNING	1	D92210020
29	W1630645004	DECAL; OIL DRAIN	1	S-1403
30	W1630610404	DECAL; CAUTION FUEL FILTER	1	S-1406
31	W1630647004	DECAL; WATER DRAIN	1	S-1404
32	D9512100203	DECAL; WAMING LVEL.....	1	D91210020
33	D9511100304	DECAL; WAMING.....	1	D91110030
34	D2551000902	DECAL; FRONT STICKER	1	
35	D4561100303	DECAL; STRIPE	1	
36	D4561100403	DECAL; STRIPE	1	
37	D3561000104	DECAL; MQ	3	
38	W0820650604	DECAL; CAUTION BATTERY	1	
39	W0800689404	DECAL; +	1	S-2090
40	W0800689504	DECAL; -	1	S-2091

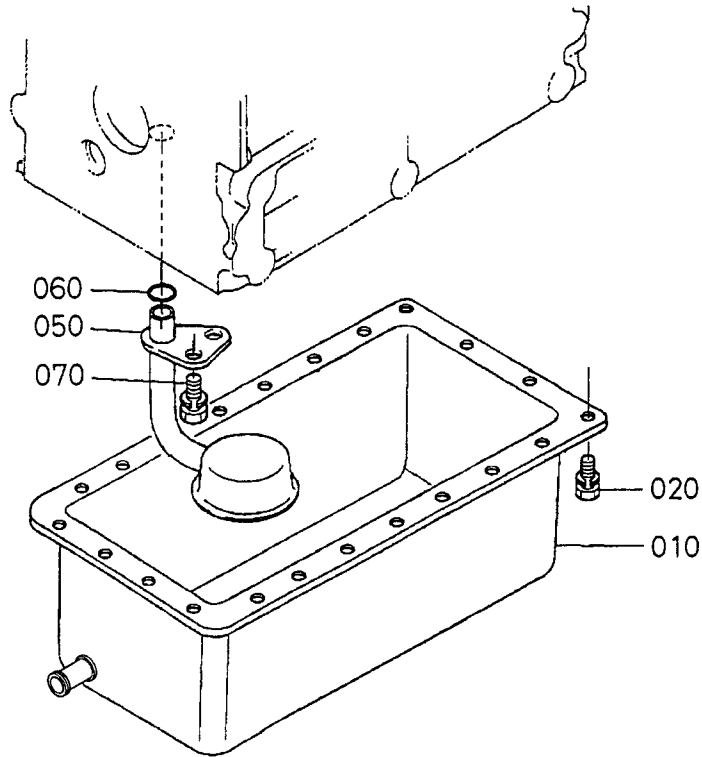
KUBOTA D902E3B — CRANKCASE ASSY.



KUBOTA D902E3B — CRANKCASE ASSY.

<u>NO.</u>	<u>PART NO.</u>	<u>PART NAME</u>	<u>QTY.</u>	<u>REMARKS</u>
010	1G31901010	COMP. CRANKCASE	1	
020	1685196260	CAP, SEALING	3	
030	1685196270	CAP, SEALING	3	
035	0631185025	CAP, SEALING	2	
040	1545196270	CAP, SEALING	2	
050	1526196010	PLUG	5	
060	1552196020	PLUG	3	
070	1552196030	PLUG	1	
080	1526196160	PLUG, EXPANSION	1	
090	0501200508	PIN, STRAIGHT	2	
100	0501200814	PIN, STRAIGHT	2	
110	1522133650	PIN, PIPE	1	
120	1523133960	PIN, PIPE	2	
130	1733159190	PIN, PIPE	2	
140	1685116212	COVER, FUEL CAMSHAFT	1	
160	1584773130	JOINT, DRAIN PIPE	1	

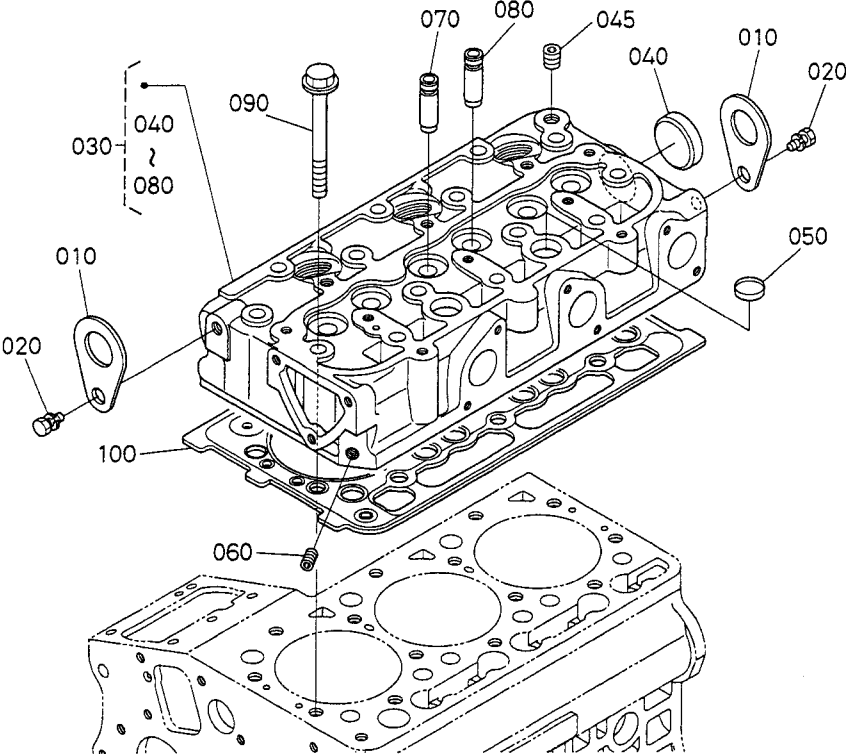
KUBOTA D902E3B — OIL PAN ASSY.



KUBOTA D902E3B — OIL PAN ASSY.

<u>NO.</u>	<u>PART NO.</u>	<u>PART NAME</u>	<u>QTY.</u>	<u>REMARKS</u>
010	1E12101500	COMP. OIL PAN	1	
020	0102350614	BOLT	22	
050	1685132110	FILTER, OIL	1	
060	0481400160	O-RING	1	
070	0112360814	BOLT	1	

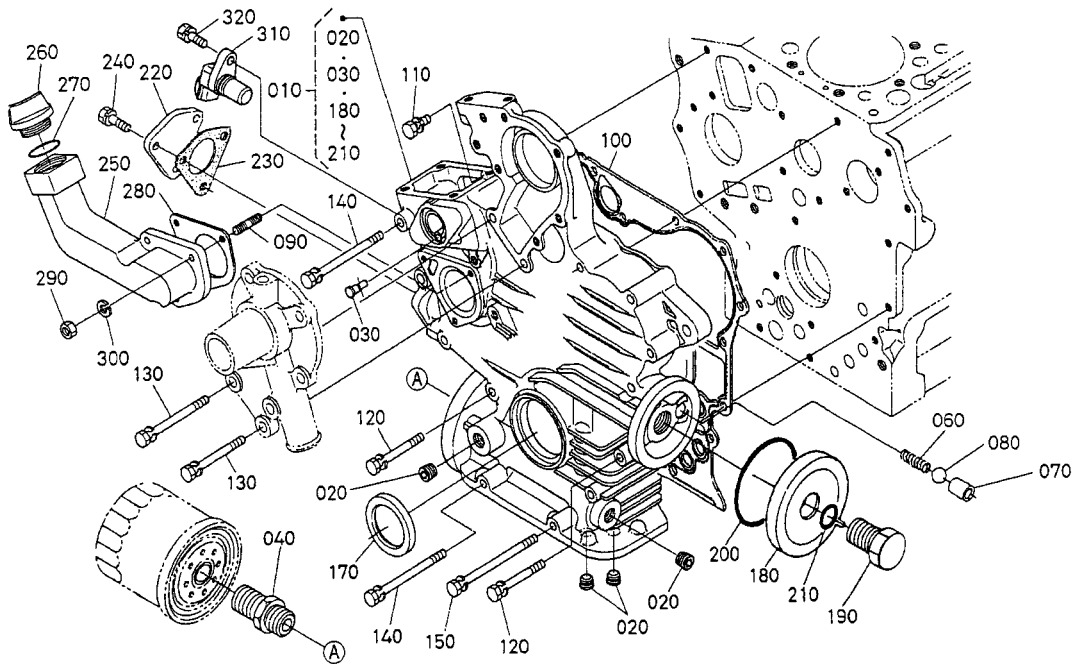
KUBOTA D902E3B — CYLINDER HEAD ASSY.



KUBOTA D902E3B — CYLINDER HEAD ASSY.

<u>NO.</u>	<u>PART NO.</u>	<u>PART NAME</u>	<u>QTY.</u>	<u>REMARKS</u>
010	1522101750	HOOK, ENGINE	2	
020	0112360816	BOLT	2	
030	1G96203045	COMP. CYLINDER HEAD	1	
040	1532196260	CAP, SEALING	1	
045	1584196020	PLUG	1	
050	1526103370	CAP, SEALING	2	
060	1526196010	PLUG	1	
070	1584113540	GUIDE, INLET VALVE	3	
080	1584113560	GUIDE, EXHAUST VALVE	3	
090	1460103450	BOLT, CYLINDER HEAD	14	
100	1G96203313	GASKET, CYLINDER HEAD	1	

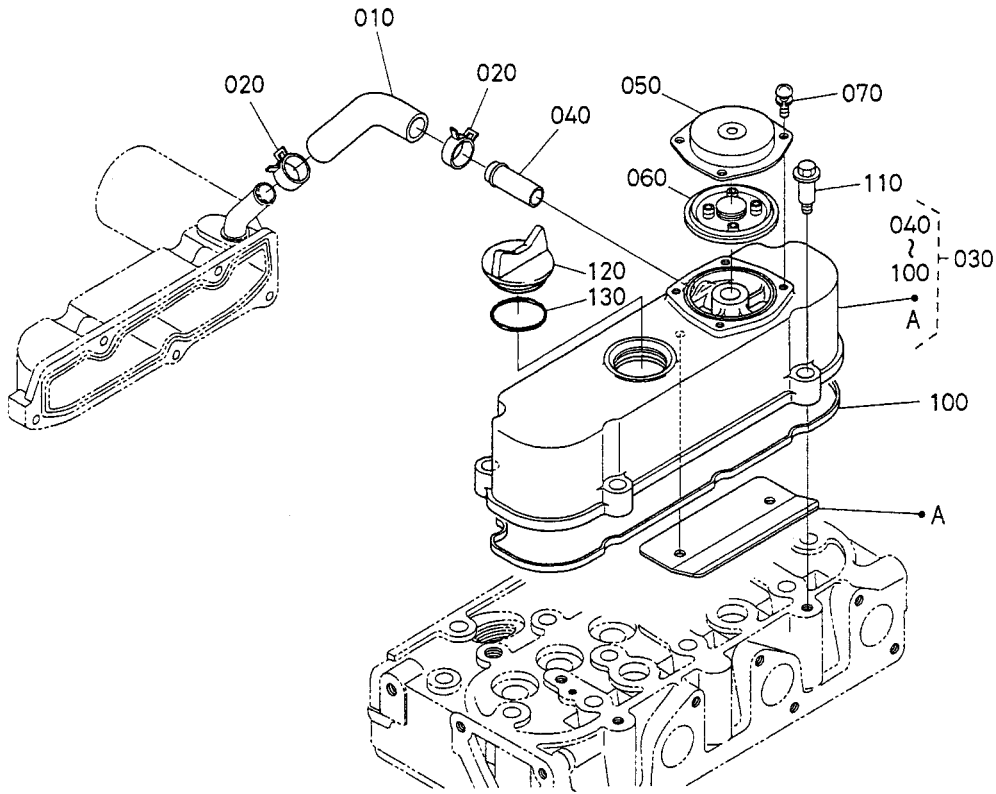
KUBOTA D902E3B — GEAR CASE ASSY.



KUBOTA D902E3B — GEAR CASE ASSY.

<u>NO.</u>	<u>PART NO.</u>	<u>PART NAME</u>	<u>QTY.</u>	<u>REMARKS</u>
010	1G31904022	COMP. CASE, GEAR	1	
020	1552196030	PLUG	4	
030	1584156280	PIN, START SPRING	1	
040	1524132290	JOINT, PIPE	1	
060	1685136950	SPRING	1	
070	1584136930	SEAT, VALVE	1	
080	0771503211	BALL	1	
090	1522188210	STUD	3	
100	1G96204130	GASKET, GEAR CASE	1	
110	0102350618	BOLT	1	
120	0102360650	BOLT	8	
130	1584191010	BOLT	2	
140	0102350680	BOLT	3	
150	0102350690	BOLT	1	
170	1587704140	SEAL,OIL	1	
180	1G63932880	COVER	1	
190	1625932900	BOLT	1	
200	0481450600	RING	1	
210	0481400150	RING	1	
220	1968298060	COVER	1	
230	1948333123	PACK ING, FLANGE	1	
240	0102350618	BOLT	3	
250	1584633110	FLANGE, OIL FILLER	1	
260	1381133140	PLUG, OIL FILLER	1	
270	0481706230	O-RING	1	
280	1946188132	GASKET H/M GEAR CASE	1	
290	0205650060	NUT	3	

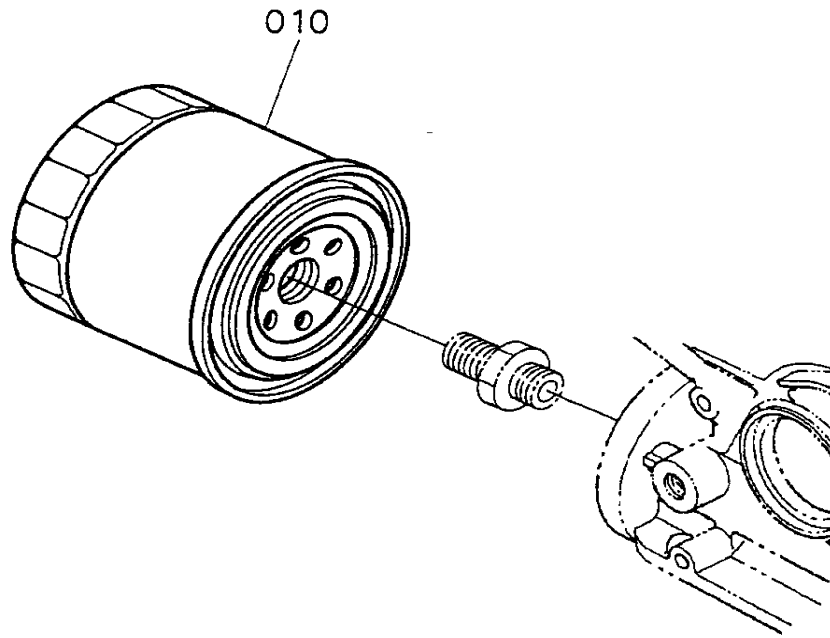
KUBOTA D902E3B — HEAD COVER ASSY.



KUBOTA D902E3B — HEAD COVER ASSY.

<u>NO.</u>	<u>PART NO.</u>	<u>PART NAME</u>	<u>QTY.</u>	<u>REMARKS</u>
010	1G96005512	TUBE, BREATHER	1	
020	0931888125	CLAMP, HOSE	2	
030	1G96014505	ASSY. COVER, CYL. HEAD	1	
040	1624173370	PIPE, WATER RETURN	1	
050	1G80105120	COVER, BREATHER	1	
060	1G91 105203	COMP. VALVE, BREATHER	1	
070	0302450510	SCREW, WITH WASHER	4	
100	1G96214522	GASKET, HEAD COVER	1	
110	1G91191022	BOLT	4	
120	E915133140	PLUG, OIL FILLER	1	
130	0481450300	O-RING	1	

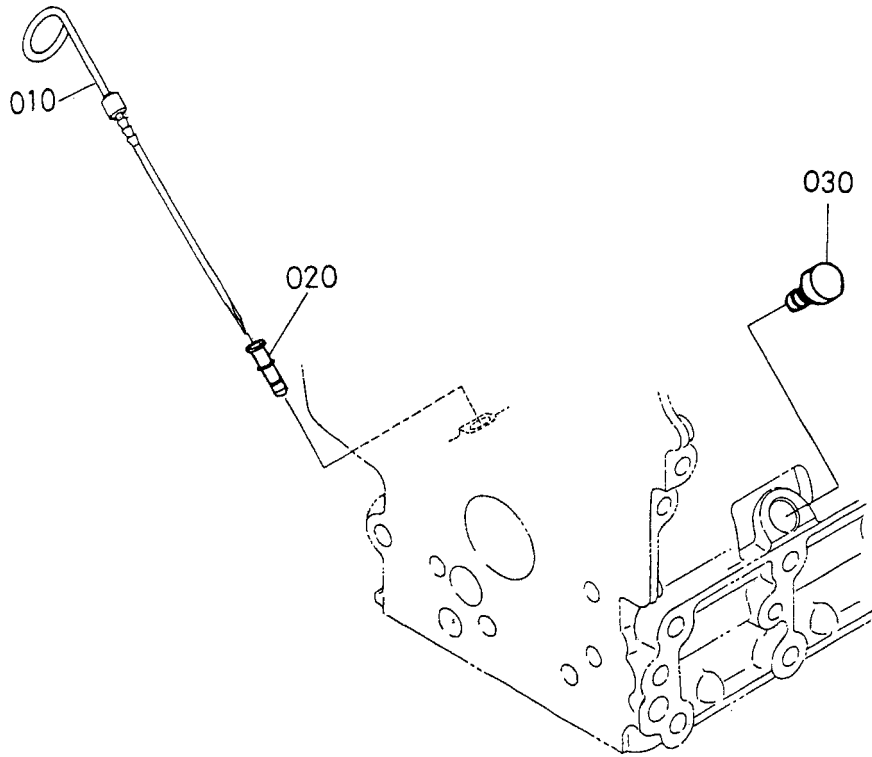
KUBOTA D902E3B — OIL FILTER ASSY.



KUBOTA D902E3B — OIL FILTER ASSY.

<u>NO.</u>	<u>PART NO.</u>	<u>PART NAME</u>	<u>QTY.</u>	<u>REMARKS</u>
010	1585332430	CARTRIDGE, OIL FILTER	1	

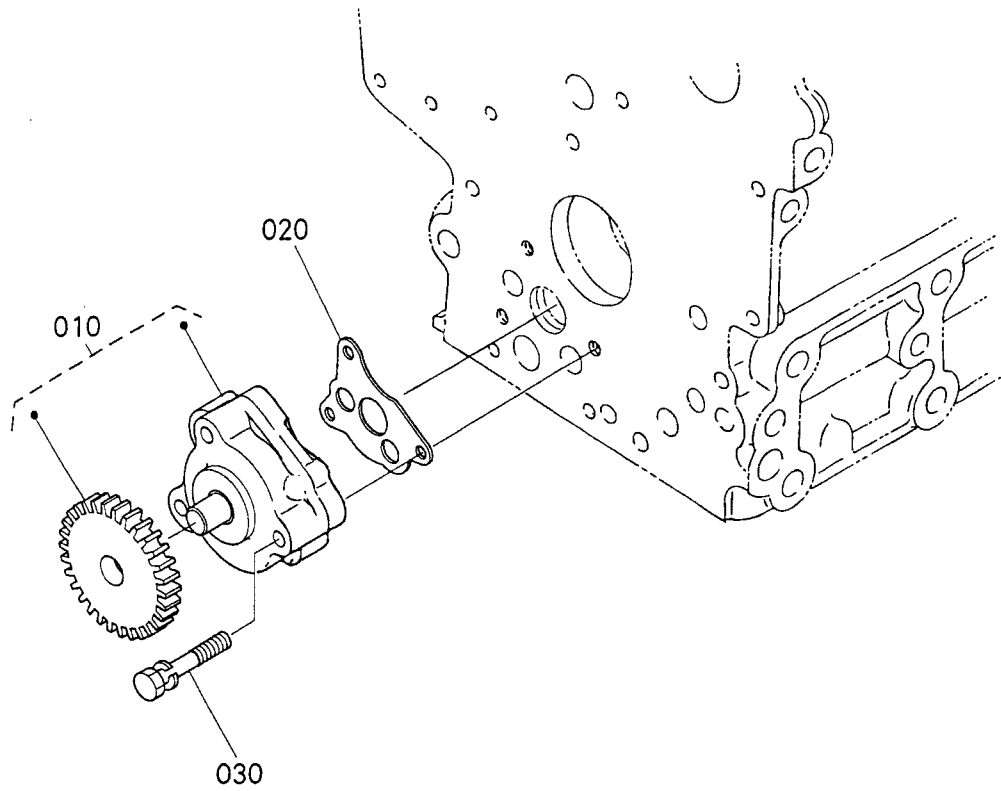
KUBOTA D902E3B — DIPSTICK AND GUIDE ASSY.



KUBOTA D902E3B — DIPSTICK AND GUIDE ASSY.

<u>NO.</u>	<u>PART NO.</u>	<u>PART NAME</u>	<u>QTY.</u>	<u>REMARKS</u>
010	1G96036410	GAUGE, OIL	1	
020	1745636420	GUIDE, OIL GAUGE	1	
030	1G51336550	PLUG, OIL GAUGE	1	

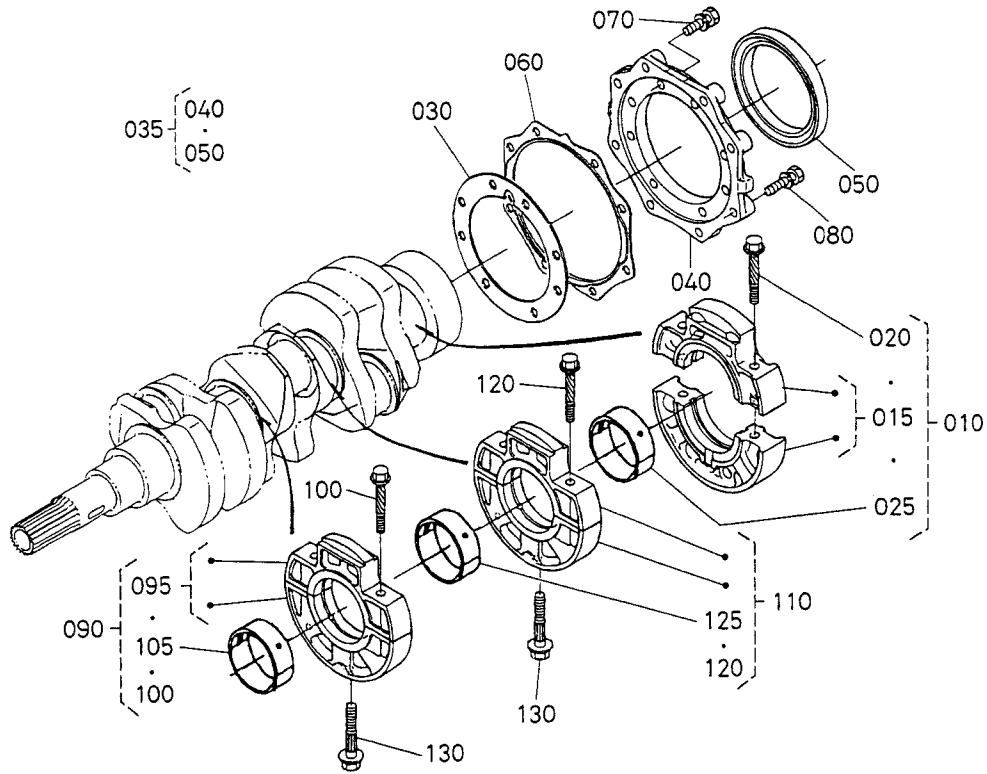
KUBOTA D902E3B — OIL PUMP ASSY.



KUBOTA D902E3B — OIL PUMP ASSY.

<u>NO.</u>	<u>PART NO.</u>	<u>PART NAME</u>	<u>QTY.</u>	<u>REMARKS</u>
010	1E12535020	ASSY. OIL PUMP, FULL	1	
020	1E12535150	GASKET, OIL PUMP	1	
030	1584191050	BOLT	3	

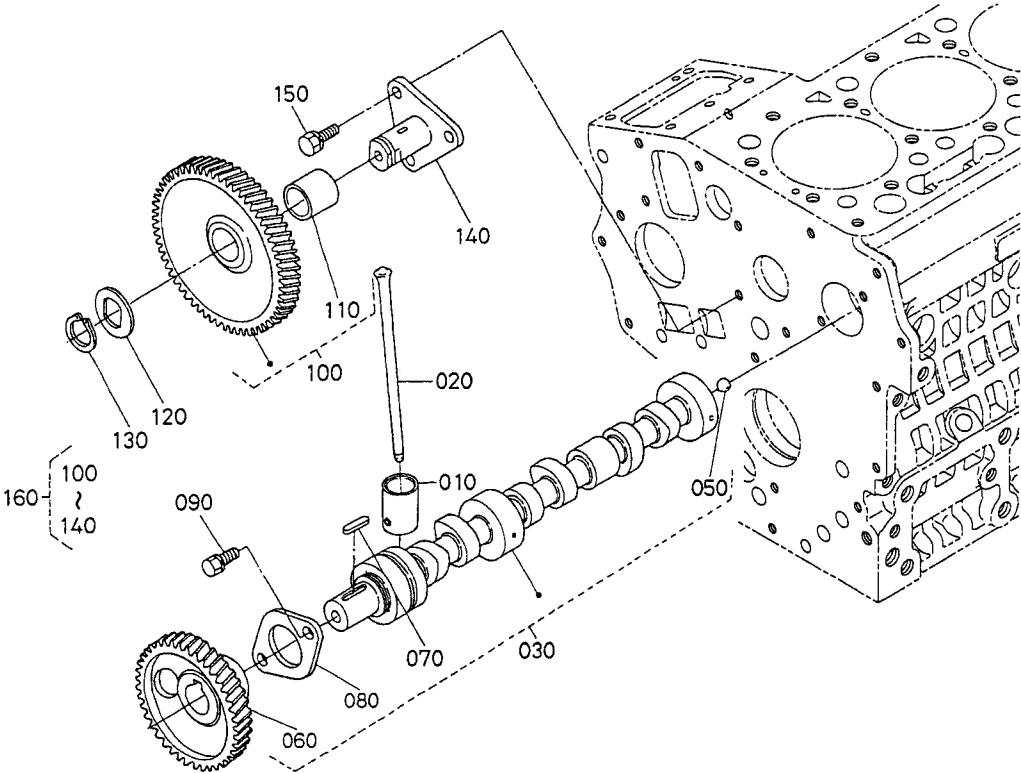
KUBOTA D902E3B — MAIN BEARING ASSY.



KUBOTA D902E3B — MAIN BEARING ASSY.

<u>NO.</u>	<u>PART NO.</u>	<u>PART NAME</u>	<u>QTY.</u>	<u>REMARKS</u>
010	1G46007090	ASSY. BRG. CASE, WHEEL	1	
015	1G46004090	ASSY. CASE, MAIN BRG.	1	
020	1G46004540	BOLT, BEARING CASE	2	
025	1G46023820	ASSY. METAL, CRANKSHAFT	1	
030	1G96004360	GASKET, BEARING CASE	1	
035	1584104803	ASSY. COVER, BRG. CASE	1	
040	1584104815	COVER, BEARING CASE	1	
050	1921599160	SEAL, OIL	1	
060	1584104823	GASKET, CASE COVER	1	
070	0102350620	BOLT	8	
080	0102350622	BOLT	8	
090	1G46007040	ASSY. BRG. CASE, MAIN	1	
095	1G46004040	ASSY. CASE, MAIN BRG.	1	
100	1G46004540	BOLT, BEARING CASE	2	
105	1G46023830	ASSY. METAL, CRANKSHAFT	1	
110	1G96207050	ASSY BRG. CASE, MAIN	1	
120	1G46004540	BOLT, BEARING CASE	2	
125	1G46023830	ASSY. METAL, CRANKSHAFT	1	
130	1584104562	BOLT, BEARING CASE	2	

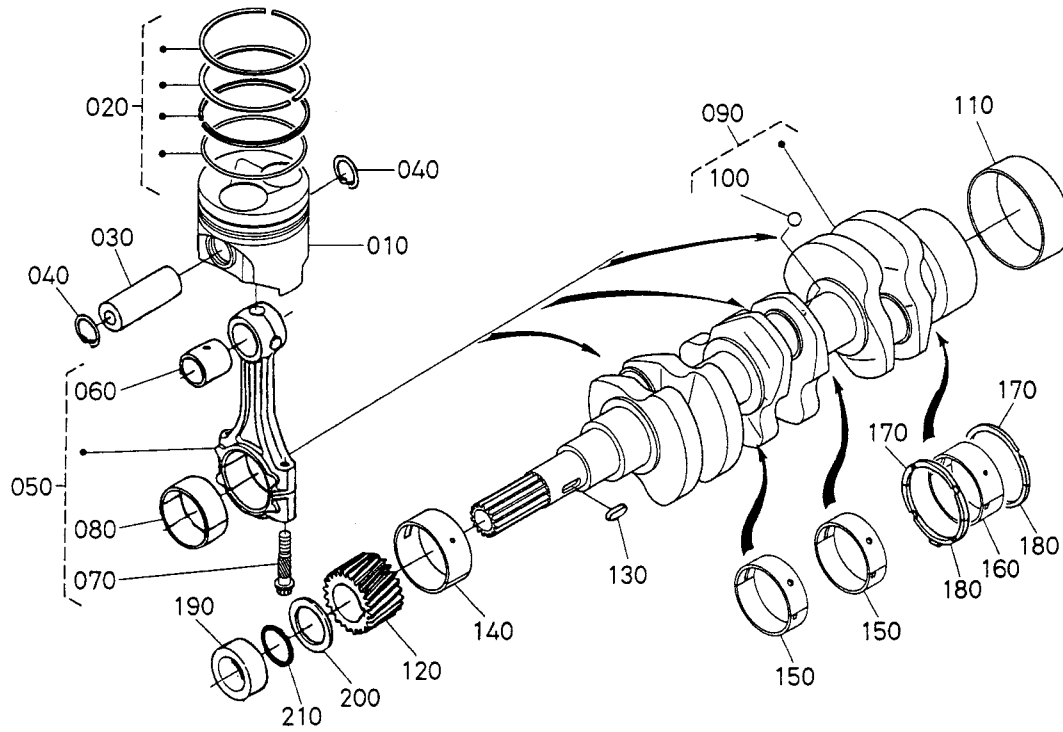
KUBOTA D902E3B — CAMSHAFT AND IDLE ASSY.



KUBOTA D902E3B — CAMSHAFT AND IDLE ASSY.

<u>NO.</u>	<u>PART NO.</u>	<u>PART NAME</u>	<u>QTY.</u>	<u>REMARKS</u>
010	1685115552	TAPPET	6	
020	1685115110	PUSH ROD	6	
030	1G96216015	ASSY., CAMSHAFT	1	
050	0771500401	BALL	1	
060	1686416510	GEAR, CAM	1	
070	0571200518	KEY, FEATHER	1	
080	1584116270	STOPPER, CAMSHAFT	1	
090	0102350612	BOLT	2	
100	1587524013	COMP. GEAR, IDLE	1	
110	1587524282	BUSH	1	
120	1587524370	COLLAR, IDLE GEAR	1	
130	1587524320	RING, SNAP	1	
140	1587524250	SHAFT, IDLE GEAR	1	
150	0102350614	BOLT	3	
160	1587599340	ASSY. GEAR, IDLE SER/V	1	

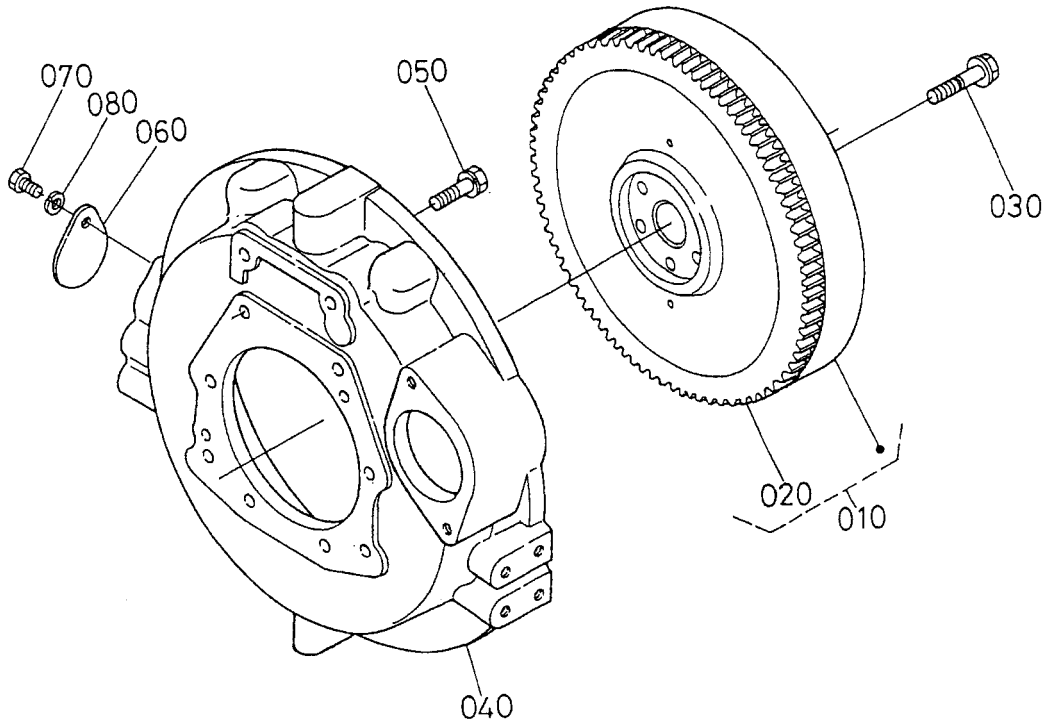
KUBOTA D902E3B — PISTON AND CRANKHAFT ASSY.



KUBOTA D902E3B — PISTON AND CRANKHAFT ASSY.

<u>NO.</u>	<u>PART NO.</u>	<u>PART NAME</u>	<u>QTY.</u>	<u>REMARKS</u>
010	1G68721113	PISTON, STD	3	
010	1G68721903	PISTON, +0.25M	3	
020	1G96021050	ASSY. PISTON RING, STD	3	
020	1G96021090	ASSY. PISTON RING, +0.25mm	3	
030	1687121310	PIN, PISTON	3	
040	1526121330	CIR CLIP.PISTON PIN	6	
050	1685122015	ASSY ROD, CONNECTING	3	
060	1685121982	BUSH, PISTON PIN	3	
070	1685122140	BOLT, CONNECTING ROD	6	
080	1685122320	METAL, CRANKP IN M ,STD SET	3	
080	1685122330	METAL, CRANKP IN L, STD SET	3	
080	1586122970	METAL, CRANKP IN, 0.20 mm SET	3	
080	1586122980	METAL, CRANKP IN, 0.40 mm SET	3	
090	1G96223012	COMP. CRANKSHAFT	1	
100	0771503207	BALL	3	
110	1921523280	SLEEVE, CRANKSHAFT	1	
120	1584124110	GEAR, CRANK	1	
130	0571200515	KEY, FEATHER	1	
140	1G46023470	METAL, CRANKSHAFT STD	1	
140	1G46023910	METAL, CRANKSHAFT 0.20 mm	1	
140	1G46023920	METAL, CRANKSHAFT 0.40 mm	1	
150	1G46023830	ASSY. METAL, CRANKSHAFT, STD SET	2	
150	1G46023940	ASSY. METAL, CRANKSHAFT, 0.20 mm SET	2	
150	1G46023960	ASSY. METAL, CRANKSHAFT, 0.40 mm SET	2	
160	1G46023820	ASSY. METAL, CRANKSHAFT, STD SET	1	
160	1G46023930	ASSY. METAL, CRANKSHAFT, 0.20 mm SET	1	
160	1G46023950	ASSY. METAL, CRANKSHAFT, 0.40 mm SET	1	
170	1526123530	METAL, SIDE, STD	2	
170	526123950	METAL, SIDE, +0.20 mm	2	
180	1526123543	METAL, SIDE, STD	2	
180	1526123973	METAL, SIDE, +0.20 mm	2	
180	1526123983	METAL, SIDE, +0.40 mm	2	
190	1584123250	COLLAR, CRANKSHAFT	1	
200	1588123310	SLINGER, OIL	1	
210	0481416220	O-RING	1	

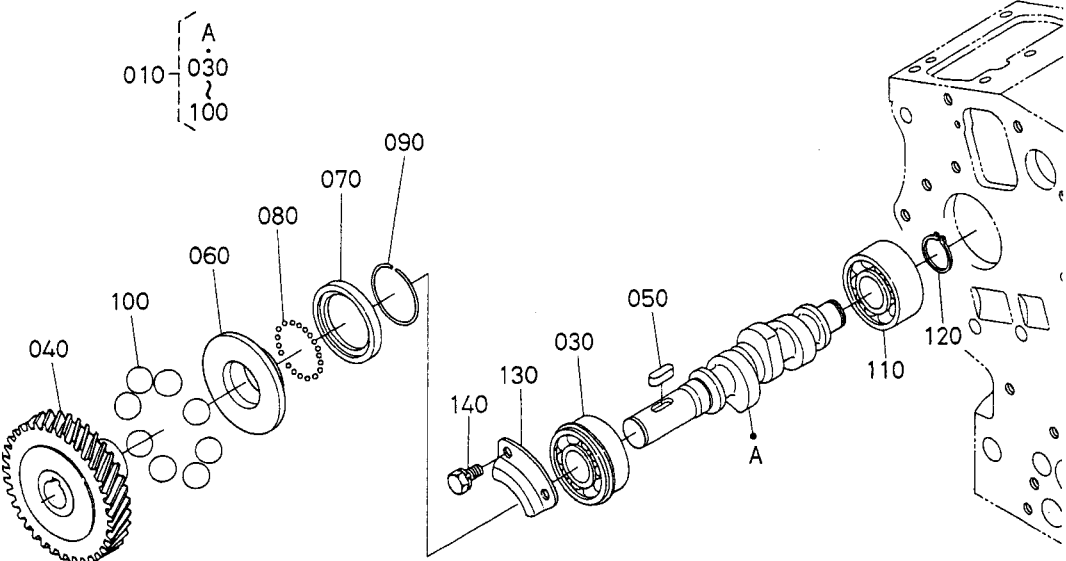
KUBOTA D902E3B — FLYWHEEL ASSY.



KUBOTA D902E3B — FLYWHEEL ASSY.

<u>NO.</u>	<u>PART NO.</u>	<u>PART NAME</u>	<u>QTY.</u>	<u>REMARKS</u>
010	1587825010	COMP. FLYWHEEL	1	
020	1681363820	GEAR, RING	1	
030	1553325162	BOLT, FLYWHEEL	5	
040	1587804616	HOUSING, FLYWHEEL	1	
050	0112350822	BOLT	10	
060	3122014170	COVER	1	
070	0115350812	BOLT	1	
080	0451260080	WASHER, LOCK	1	

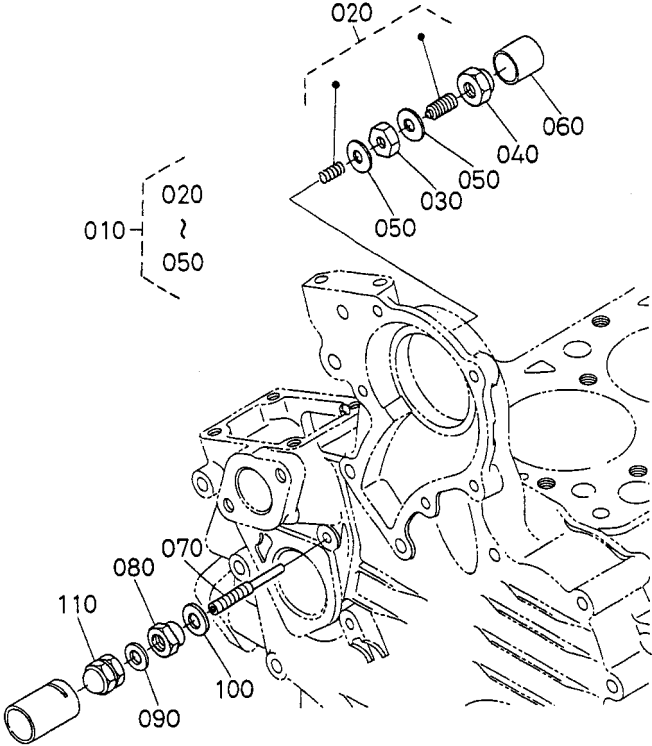
KUBOTA D902E3B — FUEL CAMSHAFT AND GOV. ASSY.



KUBOTA D902E3B — FUEL CAMSHAFT AND GOV. ASSY.

<u>NO.</u>	<u>PART NO.</u>	<u>PART NAME</u>	<u>QTY.</u>	<u>REMARKS</u>
010	1687116020	ASSY. CAMSHAFT, FUEL	1	
030	0815306203	BEARING, BALL	1	
040	1685151150	GEAR, INJECTION PUMP	1	
050	0571200515	KEY, FEATHER	1	
060	1584155452	SLEEVE, GOVERNOR	1	
070	1584155690	CASE, GOVERNOR BALL	1	
080	0771500801	BALL	32	
090	1526155470	CIRCLIP, GOV. SLEEVE	1	
100	0771503217	BALL	8	
110	1687197300	BEARING, BALL	1	
120	0461200170	CIR CLIP, EXTERNAL	1	
130	1584116320	STOPPER, FUEL. C/SHAFT	1	
140	0102350612	BOLT	2	

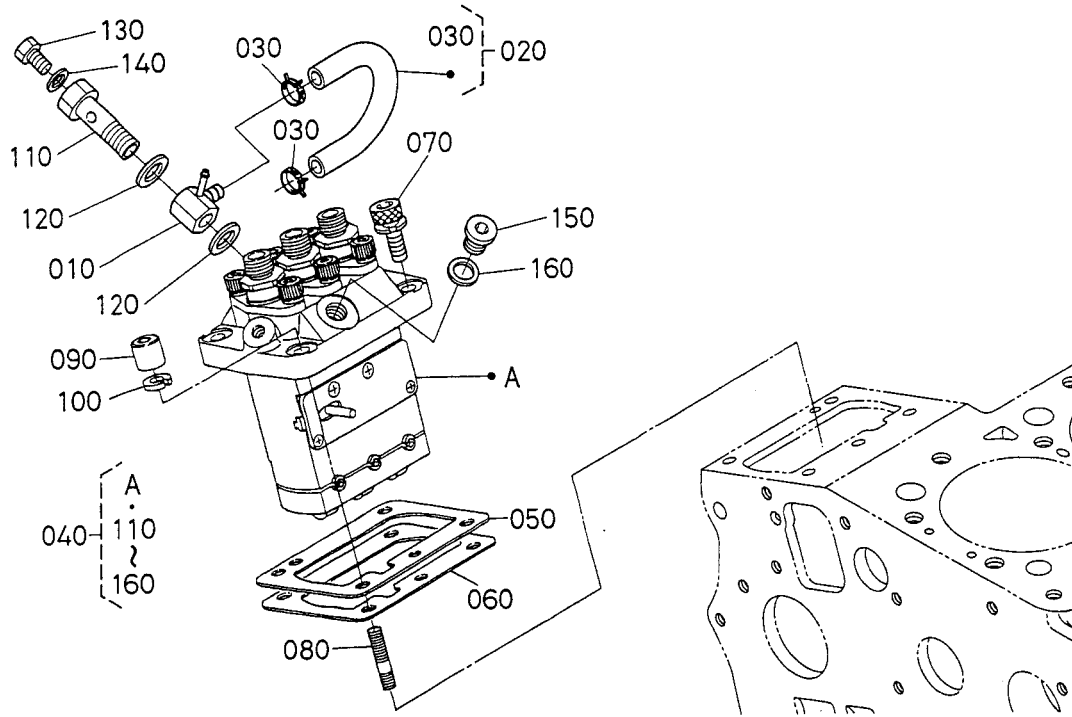
KUBOTA D902E3B — IDLE APPARATUS ASSY.



KUBOTA D902E3B — IDLE APPARATUS ASSY.

<u>NO.</u>	<u>PART NO.</u>	<u>PART NAME</u>	<u>QTY.</u>	<u>REMARKS</u>
010	1584154092	ASSY. APPARATUS, IDLE	1	
020	1584154100	ASSY. BOLT, ADJUSTMENT	1	
030	1526192020	NUT	1	
040	1584154220	NUT	1	
050	1502133660	GASKET	2	
060	1584154270	CAP	1	
070	1584154123	BOLT, ADJUSTING	1	
080	1G03154210	NUT, LOCK	1	
090	1560196650	GASKET	1	
100	1G02196650	GASKET	1	
110	1584192330	NUT	1	

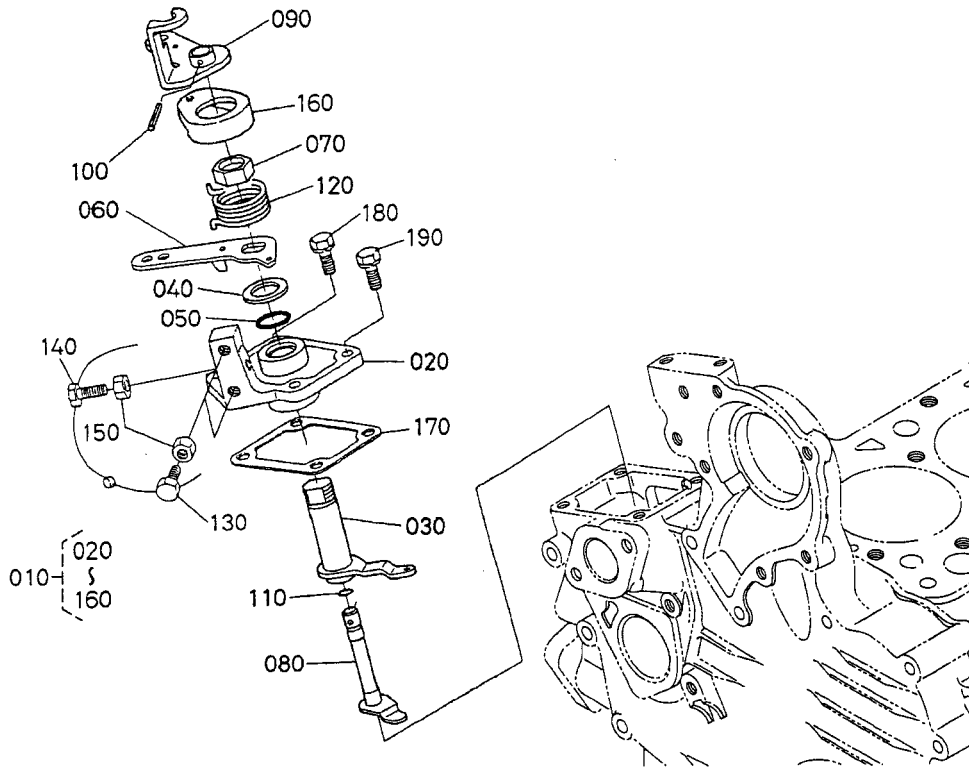
KUBOTA D902E3B — INJECTION PUMP ASSY.



KUBOTA D902E3B — INJECTION PUMP ASSY.

<u>NO.</u>	<u>PART NO.</u>	<u>PART NAME</u>	<u>QTY.</u>	<u>REMARKS</u>
010	1680995680	JOINT	1	
020	1526142010	ASSY. PIPE, FUEL	1	
030	1491142750	CLIP, PIPE	2	
040	1600651010	ASSY. PUMP, INJECTION	1	
050	1G70052200	SHIM, INJECTION PUMP 0.175 mm	1	
050	1600652092	SHIM, INJECTION PUMP 0.200 mm	1	
050	1600652112	SHIM, INJECTION PUMP 0.250 mm	1	
060	1600652122	SHIM, INJECTION PUMP 0.300 mm	1	
060	1G70052160	SHIM, INJECTION PUMP 0.350 mm	1	
070	1687191060	BOLT, HEX SOCKET HEAD	2	
080	1584191500	STUD	2	
090	1584192320	NUT	2	
100	0451260060	WASHER, SPRING	2	
110	1584151320	SCREW, HOLLOW	1	
120	1584196650	GASKET	2	
130	1584151350	SCREW	1	
140	1584196660	GASKET	1	
150	1603096010	PLUG	1	
160	1586196650	GASKET	1	

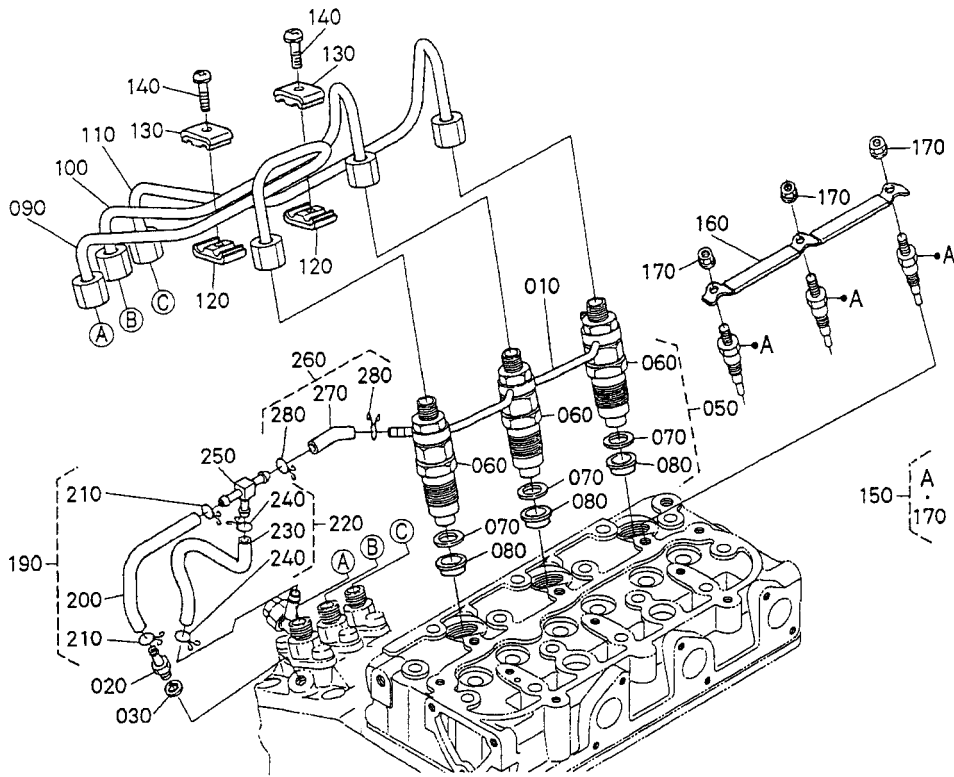
KUBOTA D902E3B — SPEED CONTROL PLATE ASSY.



KUBOTA D902E3B — SPEED CONTROL PLATE ASSY.

<u>NO.</u>	<u>PART NO.</u>	<u>PART NAME</u>	<u>QTY.</u>	<u>REMARKS</u>
010	1756157013	COMP. PLATE, SPEED CONTROL	1	
020	1584157112	PLATE, SPEED CONTROL	1	
030	1584156112	LEVER, GOVERNOR	1	
040	1928057240	COLLAR	1	
050	0481410160	O-RING	1	
060	1G63957150	LEVER, SPEED CONTROL	1	
070	1686692010	NUT, SPEED CONTROL	1	
080	1687857742	SHAFT, LEVER	1	
090	1685157724	LEVER, ENGINE STOP	1	
100	0541100314	PIN, SPRING	1	
110	0481410070	O-RING	1	
120	1687857920	SPRING, RETURN	1	
130	1920291010	BOLT	1	
140	1920291010	BOLT	2	
150	0205650060	NUT	3	
160	1686657302	CAP	1	
170	1584157212	GASKET, CONTROL PLATE	1	
180	0102350618	BOLT	2	
190	1687191050	BOLT	2	

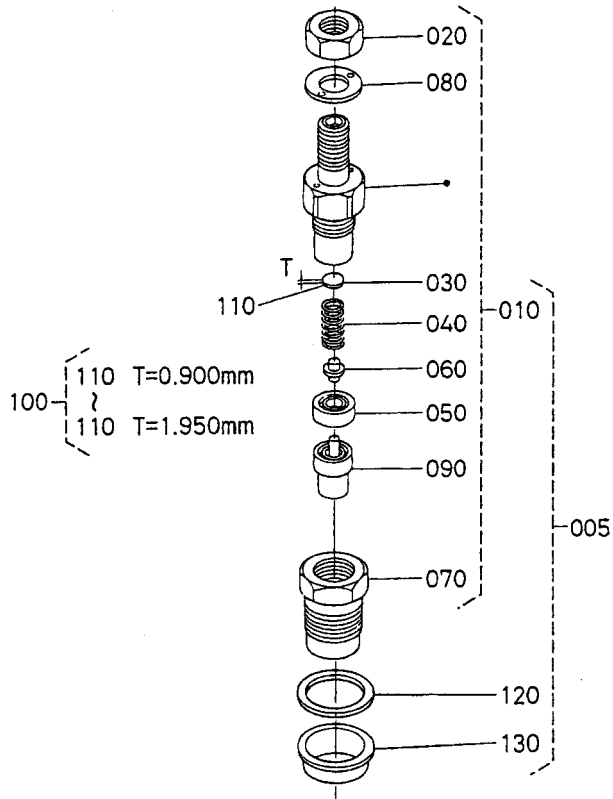
KUBOTA D902E3B — NOZ. HOLDER AND GLOW PLUG ASSY.



KUBOTA D902E3B — NOZ. HOLDER AND GLOW PLUG ASSY.

<u>NO.</u>	<u>PART NO.</u>	<u>PART NAME</u>	<u>QTY.</u>	<u>REMARKS</u>
010	1G96242500	ASSY. PIPE, OVER FLOW	1	
020	1584151360	SCREW, AIR BLEEDER	1	
030	1560196650	GASKET	1	
050	1600153900	KIT HOLDER, NOZZLE	3	
060	1600153000	ASSY. HOLDER, NOZZLE	3	
070	1584153622	GASKET	3	
080	1907753650	SEAL, HEAT	3	
090	1G46053712	PIPE, INJECTION	1	
100	1G46053723	PIPE, INJECTION	1	
110	1G96253732	PIPE, INJECTION	1	
120	1584153850	CLAMP, PIPE	2	
130	1584153860	CLAMP, PIPE	2	
140	0302450520	SCREW, WITH WASHER	2	
150	1685165512	GLOW PLUG	3	
160	1G96265560	CORD, GLOW PLUG	1	
170	0276150040	NUT, FLANGE	3	
190	1680942030	ASSY TUBE, FUEL	1	
200	0966140085	TUBE, FUEL	1	
210	1497142750	CLIP PIPE	2	
220	1680942500	ASSY TUBE, FUEL	1	
230	0966140130	TUBE, FUEL	1	
240	1497142750	CLIP, PIPE	2	
250	1G06542360	JOINT.TPIPE	1	
260	1680942020	ASSY. TUBE, FUEL	1	
270	0966140040	TUBE, FUEL	1	
280	1497142750	CLIP PIPE	2	

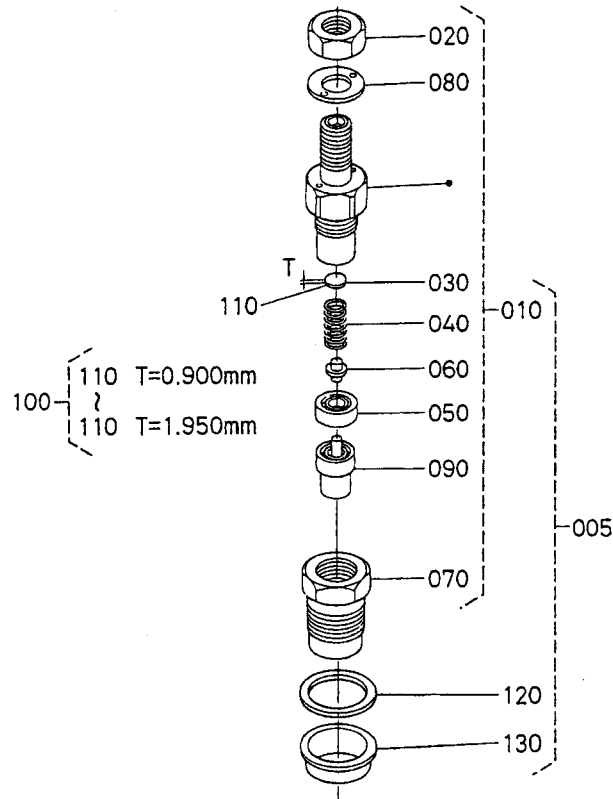
KUBOTA D902E3B —NOZZLE HOLDER CP ASSY.



KUBOTA D902E3B —NOZZLE HOLDER CP ASSY.

<u>NO.</u>	<u>PART NO.</u>	<u>PART NAME</u>	<u>QTY.</u>	<u>REMARKS</u>
005	1600153900	KIT HOLDER, NOZZLE	3	
010	1600153000	ASSY., HOLDER, NOZZLE	3	
020	1584192030	NUT	3	
030	1584153230	WASHER, ADJUSTING 0.900 mm	3	
040	1584153170	SPRING, NOZZLE	3	
050	1584153350	PIECE, DISTANCE	3	
060	1584153160	PUSH ROD	3	
070	1647553280	NUT, NOZZLE	3	
080	1584194040	WASHER	3	
090	1685153610	PIECE, NOZZLE	3	
100	1584198100	ASSY., WASHER, ADJUST	3	
110	1584153230	WASHER, ADJUSTING 0.900 mm	3	
110	1584198510	WASHER, ADJUSTING 0.925 mm	3	
110	1584198520	WASHER, ADJUSTING 0.950 mm	3	
110	1584198530	WASHER, ADJUSTING 0.975 mm	3	
110	1584198540	WASHER, ADJUSTING 1.000 mm	3	
110	1584198550	WASHER, ADJUSTING 1.025 mm	3	
110	1584198560	WASHER, ADJUSTING 1.050 mm	3	
110	1584198570	WASHER, ADJUSTING 1.075 mm	3	
110	1584198580	WASHER, ADJUSTING 1.100 mm	3	
110	1584198590	WASHER, ADJUSTING 1.125 mm	3	
110	1584198600	WASHER, ADJUSTING 1.150 mm	3	
110	1584198610	WASHER, ADJUSTING 1.175 mm	3	
110	1584198620	WASHER, ADJUSTING 1.200 mm	3	
110	1584198630	WASHER, ADJUSTING 1.225 mm	3	
110	1584198640	WASHER, ADJUSTING 1.250 mm	3	
110	1584198650	WASHER, ADJUSTING 1.275 mm	3	
110	1584198660	WASHER, ADJUSTING 1.300 mm	3	
110	1584198670	WASHER, ADJUSTING 1.325 mm	3	
110	TBD	WASHER, ADJUSTING 1.350 mm	3	

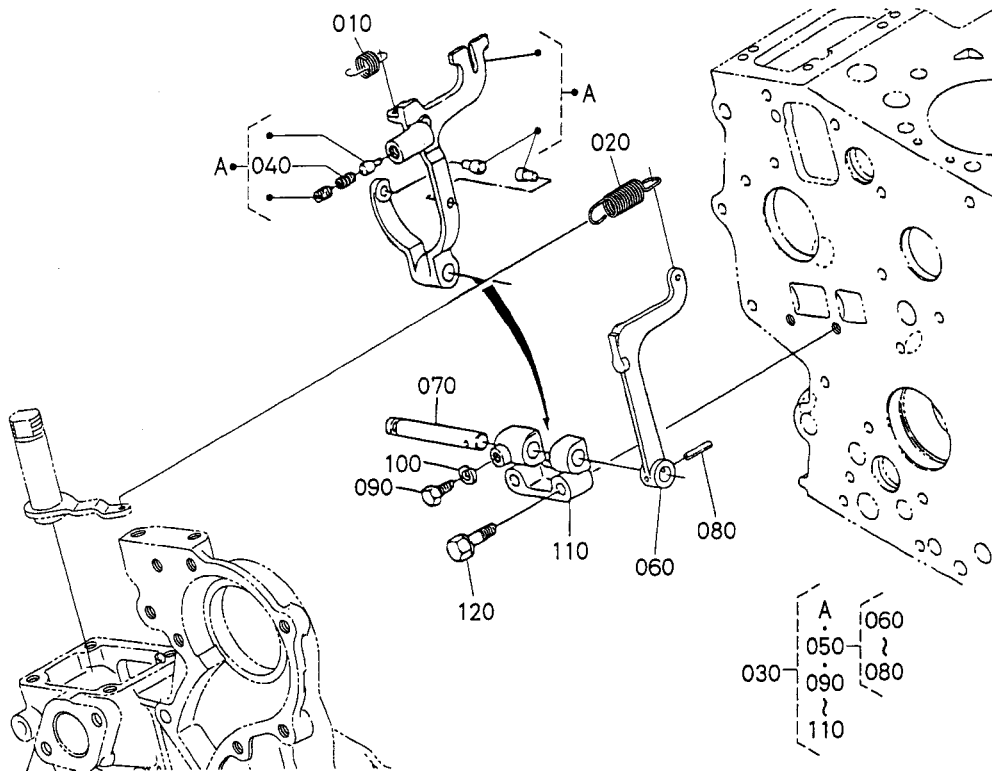
KUBOTA D902E3B —NOZZLE HOLDER CP ASSY.CONTIUED



KUBOTA D902E3B —NOZZLE HOLDER CP ASSY.CONTIUED

<u>NO.</u>	<u>PART NO.</u>	<u>PART NAME</u>	<u>QTY.</u>	<u>REMARKS</u>
110	1584198690	WASHER, ADJUSTING, 1.375mm	3	
110	1584198700	WASHER, ADJUSTING, 1.400mm	3	
110	1584198710	WASHER, ADJUSTING, 1.425mm	3	
110	1584198720	WASHER, ADJUSTING, 1.450mm	3	
110	1584198730	WASHER, ADJUSTING, 1.475mm	3	
110	1584198740	WASHER, ADJUSTING, 1.500mm	3	
110	1584198750	WASHER, ADJUSTING, 1.525mm	3	
110	1584198760	WASHER, ADJUSTING, 1.550mm	3	
110	1584198770	WASHER, ADJUSTING, 1.575mm	3	
110	1584198780	WASHER, ADJUSTING, 1.600mm	3	
110	1584198790	WASHER, ADJUSTING, 1.625mm	3	
110	1584198800	WASHER, ADJUSTING, 1.650mm	3	
110	1584198810	WASHER, ADJUSTING, 1.675mm	3	
110	1584198820	WASHER, ADJUSTING, 1.700mm	3	
110	1584198830	WASHER, ADJUSTING, 1.725mm	3	
110	1584198840	WASHER, ADJUSTING, 1.750mm	3	
110	1584198850	WASHER, ADJUSTING, 1.775mm	3	
110	1584198860	WASHER, ADJUSTING, 1.800mm	3	
110	1584198870	WASHER, ADJUSTING, 1.825mm	3	
110	1584198880	WASHER, ADJUSTING, 1.850mm	3	
110	1584198890	WASHER, ADJUSTING, 1.875mm	3	
110	1584198900	WASHER, ADJUSTING, 1.900mm	3	
110	1584198910	WASHER, ADJUSTING, 1.925mm	3	
110	1584198920	WASHER, ADJUSTING, 1.950mm	3	
120	1584153622	GASKET	3	
130	1907753650	SEAL, HEAT	3	

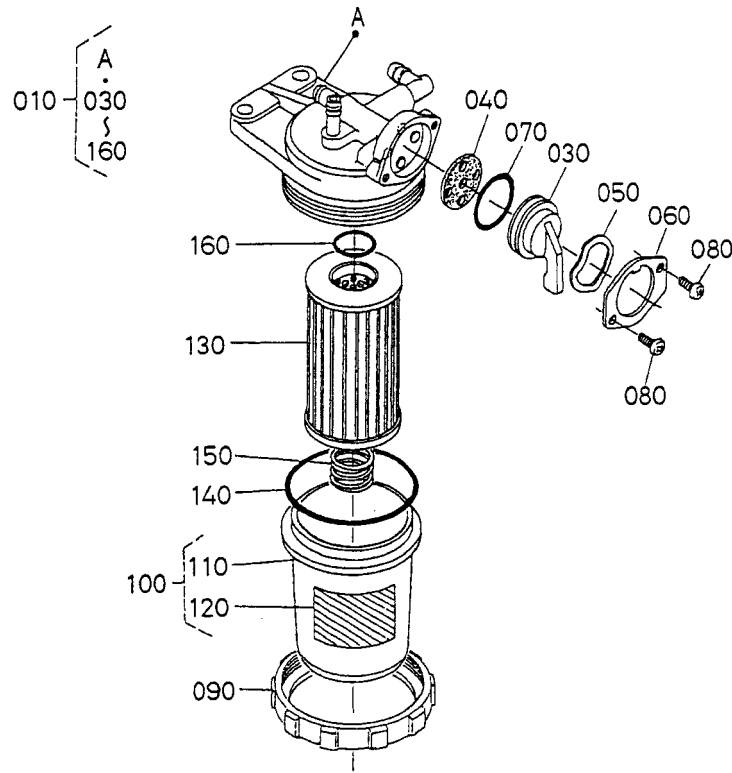
KUBOTA D902E3B —FORK LEVER GOVERNOR ASSY.



KUBOTA D902E3B —FORK LEVER GOVERNOR ASSY.

<u>NO.</u>	<u>PART NO.</u>	<u>PART NAME</u>	<u>QTY.</u>	<u>REMARKS</u>
010	1584156480	SPRING, START	1	
020	1685156410	SPRING, GOVERNOR	1	
030	1600056055	ASSY LEVER, FORK	1	
040	1600054230	SPRING	1	
050	1584156060	ASSY., LEVER, FORK	1	
060	1584156130	LEVER, FORK	1	
070	1584156150	SHAFT, FORK LEVER	1	
080	0541100318	PIN, SPRING	1	
090	1526166410	BOLT	1	
100	0451260050	WASHER, SPRING	1	
110	1584156230	HOLDER, FORK LEVER	1	
120	0102350635	BOLT	2	

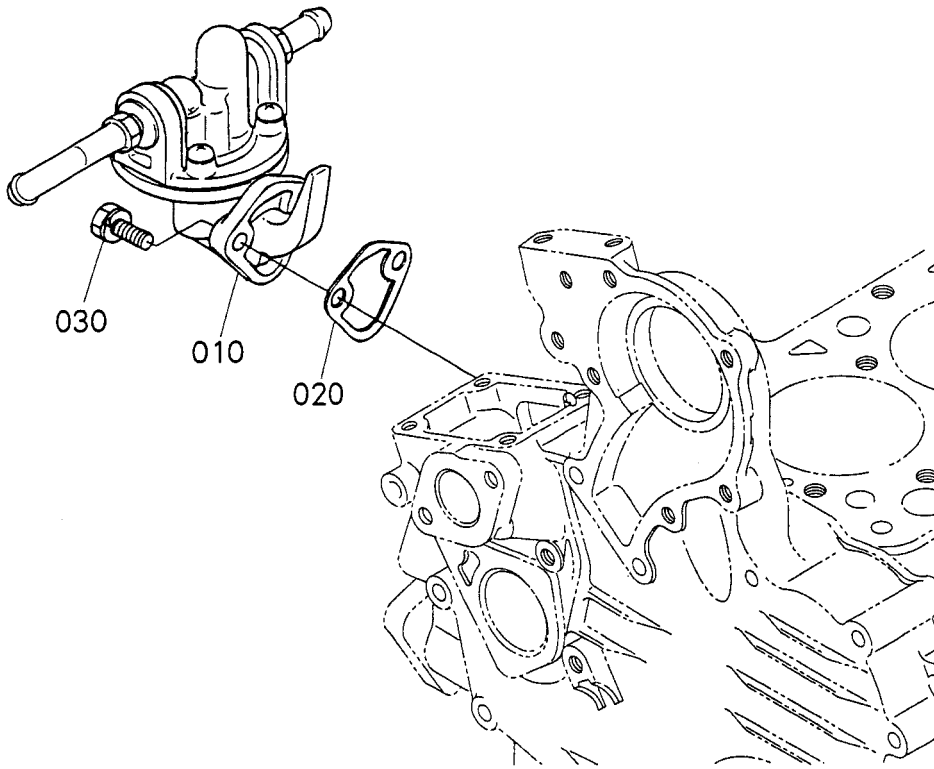
KUBOTA D902E3B —FUEL FILTER ASSY.



KUBOTA D902E3B —FUEL FILTER ASSY.

<u>NO.</u>	<u>PART NO.</u>	<u>PART NAME</u>	<u>QTY.</u>	<u>REMARKS</u>
010	1A00143010	ASSY., FILTER, FUEL	1	
030	1A00143520	HANDLE, FILTER	1	
040	1552143672	GASKET	1	
050	1A00143540	PLATE	1	
060	1A00143550	RETAINER, HANDLE	1	
070	0481110290	O-RING	1	
080	0305450308	SCREW, PANHEAD	2	
090	1A00143150	RING, RETAINER	1	
100	1A00143100	ASSY., CUP, FILTER	1	
110	1A00143130	CUP, FILTER	1	
120	1A00188430	LABEL.FUEL	1	
130	1A00143160	ELEMENT, FILTER	1	
140	0481150650	O-RING	1	
150	1A00143930	SPRING	1	
160	0481600160	O-RING	1	

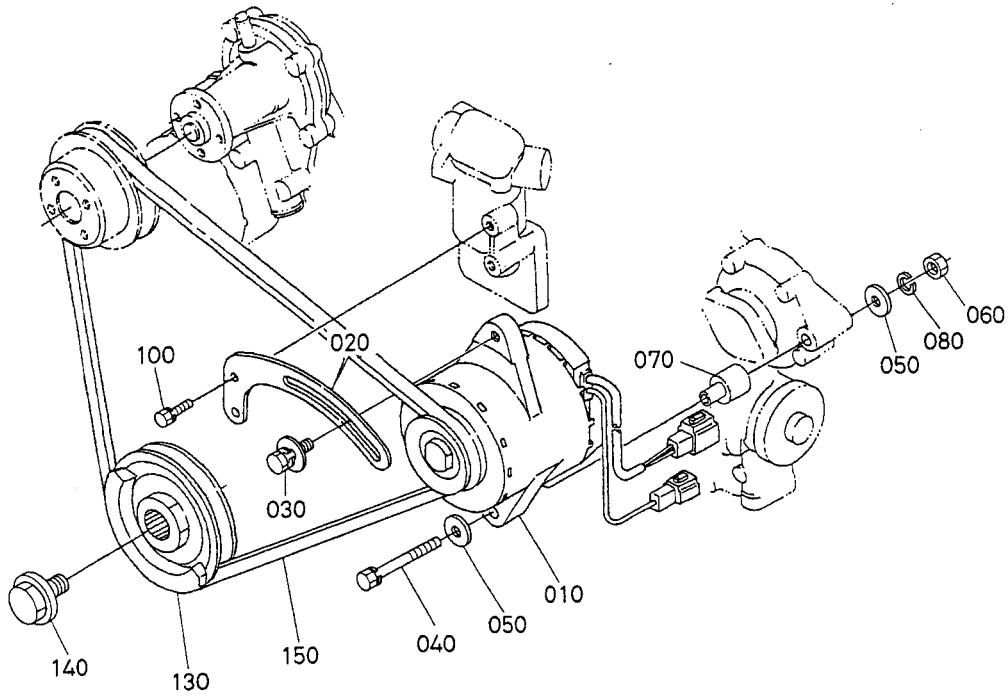
KUBOTA D902E3B —FUEL PUMP MECHANICAL ASSY.



KUBOTA D902E3B —FUEL PUMP MECHANICAL ASSY.

<u>NO.</u>	<u>PART NO.</u>	<u>PART NAME</u>	<u>QTY.</u>	<u>REMARKS</u>
010	1G96152030	ASSY., PUMP, FUEL	1	
020	1626452140	GASKET, FUEL PUMP	1	
030	0102350616	BOLT	1	

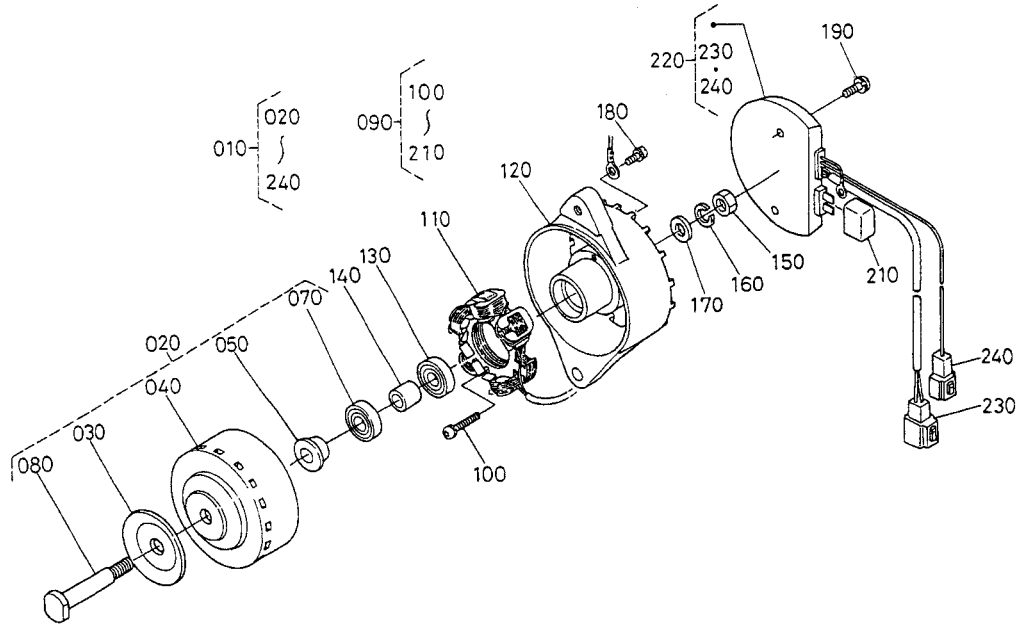
KUBOTA D902E3B —DYNAMO AND PULLEY ASSY.



KUBOTA D902E3B —DYNAMO AND PULLEY ASSY.

<u>NO.</u>	<u>PART NO.</u>	<u>PART NAME</u>	<u>QTY.</u>	<u>REMARKS</u>
010	1747264012	ASSY DYNAMO	1	
020	1747264420	STAY, DYNAMO	1	
030	1687191030	BOLT	1	
040	0115350865	BOLT	1	
050	0401360080	WASHER, PLAIN	2	
060	0215650080	NUT	1	
070	1747264370	COLLAR	1	
080	0451260080	WASHER, SPRING	1	
100	0102350616	BOLT	2	
130	1687574280	PULLEY, FAN DRIVE	1	
140	1588191030	BOLT	1	
150	1747297010	V-BELT	1	

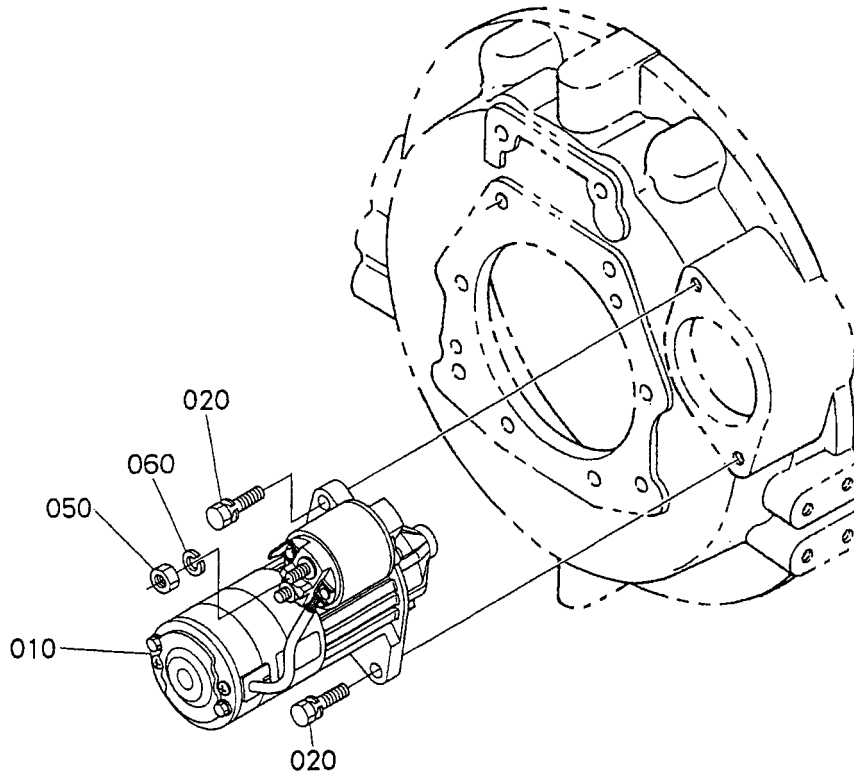
KUBOTA D902E3B —DYNAMO CP ASSY.



KUBOTA D902E3B —DYNAMO CP ASSY.

<u>NO.</u>	<u>PART NO.</u>	<u>PART NAME</u>	<u>QTY.</u>	<u>REMARKS</u>
010	1747264012	ASSY., DYNAMO	1	
020	1747264122	COMP, ROTOR	1	
030	1553164110	PULLEY	1	
040	1747264042	ROTOR	1	
050	1747264150	COLLAR	1	
070	1567974180	BEARING, BALL	1	
080	1538174140	SHAFT, FAN	1	
090	1747264362	COMP. STATOR	1	
100	1526193010	SCREW, ROUND HEAD	2	
110	1747264292	STATOR	1	
120	1747264722	PLATE	1	
130	1567974180	BEARING, BALL	1	
140	1526164150	COLLAR	1	
150	1526192030	NUT	1	
160	1526194070	WASHER, LOCK	1	
170	1526194020	WASHER, FLAT	1	
180	1747293020	SCREW, TAPPING	1	
190	1747293012	SCREW, TAPPING	2	
210	1747264950	COVER, TERMINAL	1	
220	1747264602	ASSY REGULATOR	1	
230	1747265900	COUPLER	1	
240	1747265920	COUPLER	1	

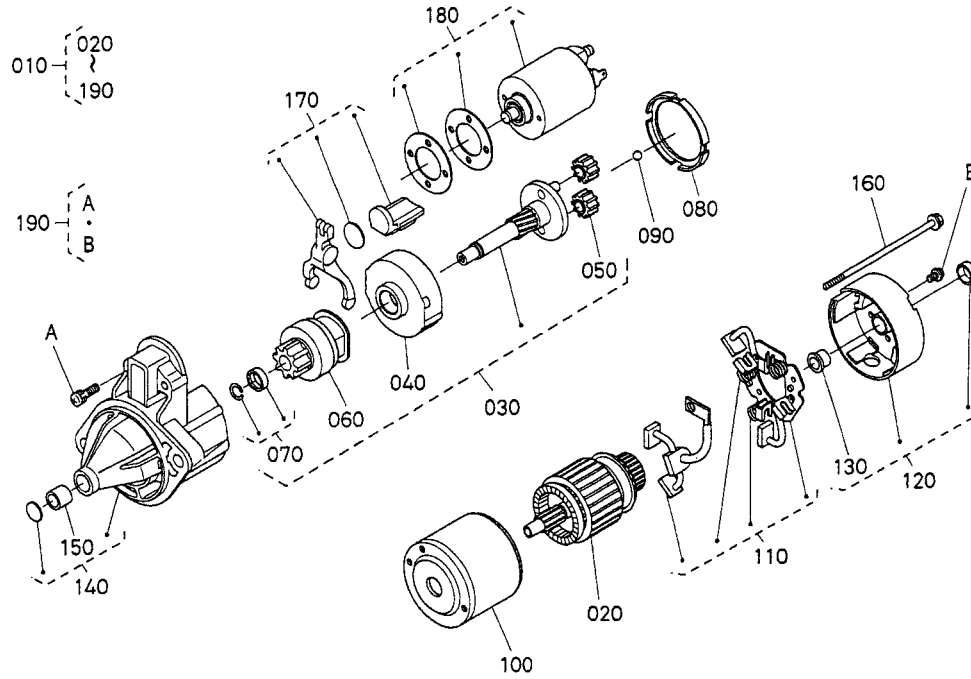
KUBOTA D902E3B —STARTER ASSY.



KUBOTA D902E3B —STARTER ASSY.

<u>NO.</u>	<u>PART NO.</u>	<u>PART NAME</u>	<u>QTY.</u>	<u>REMARKS</u>
010	1682463010	ASSY., STARTER	1	
020	0112350825	BOLT	2	
050	0215650080	NUT	1	
060	0451260080	WASHER, LOCK	1	

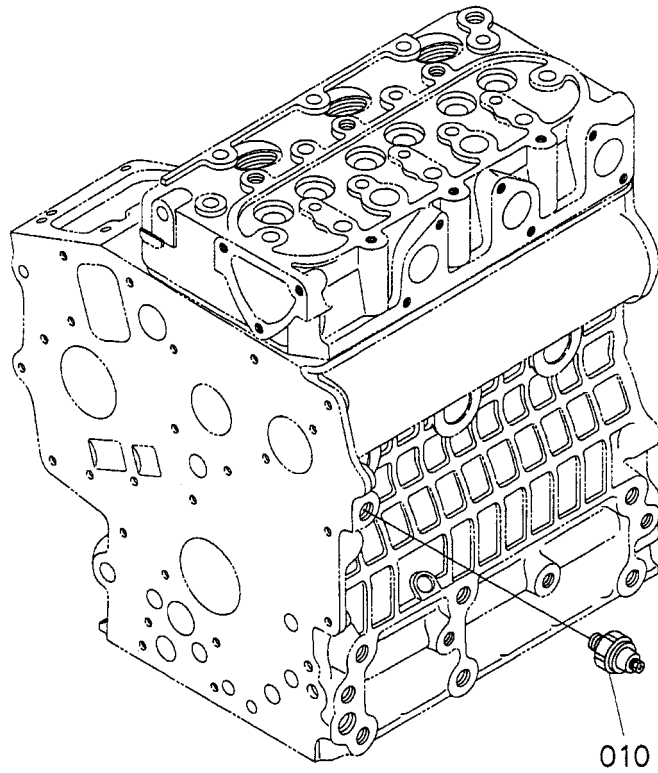
KUBOTA D902E3B —STARTER CP ASSY.



KUBOTA D902E3B —STARTER CP ASSY.

<u>NO.</u>	<u>PART NO.</u>	<u>PART NAME</u>	<u>QTY.</u>	<u>REMARKS</u>
010	1682463010	ASSY., STARTER	1	
020	1682463070	ARMATURE	1	
030	1685363330	ASSY., SHAFT	1	
040	6C14082640	GEAR, INTERNAL	1	
050	6C04082650	GEAR, PLANETARY	3	
060	1685363040	CLUTCH, OVER RUNNING	1	
070	6C04082670	STOPPER	1	
080	6C04082680	GASKET	1	
090	6C04082690	BALL	1	
100	1682463080	YOKE	1	
110	1685363380	ASSY., HOLDER, BRUSH	1	
120	6C14082750	ASSY BRACKET, REAR	1	
130	6C04082760	BUSH	1	
140	"1685363030	ASSY., BRACKET, FRONT	1	
150	1585263240	BUSH	1	
160	6C04082780	BOLT	2	
170	6C04082790	LEVER, FORK	1	
180	1585263020	SWITCH, MAGNETIC	1	
190	1585293310	SCREW, PAN-HEAD	1	

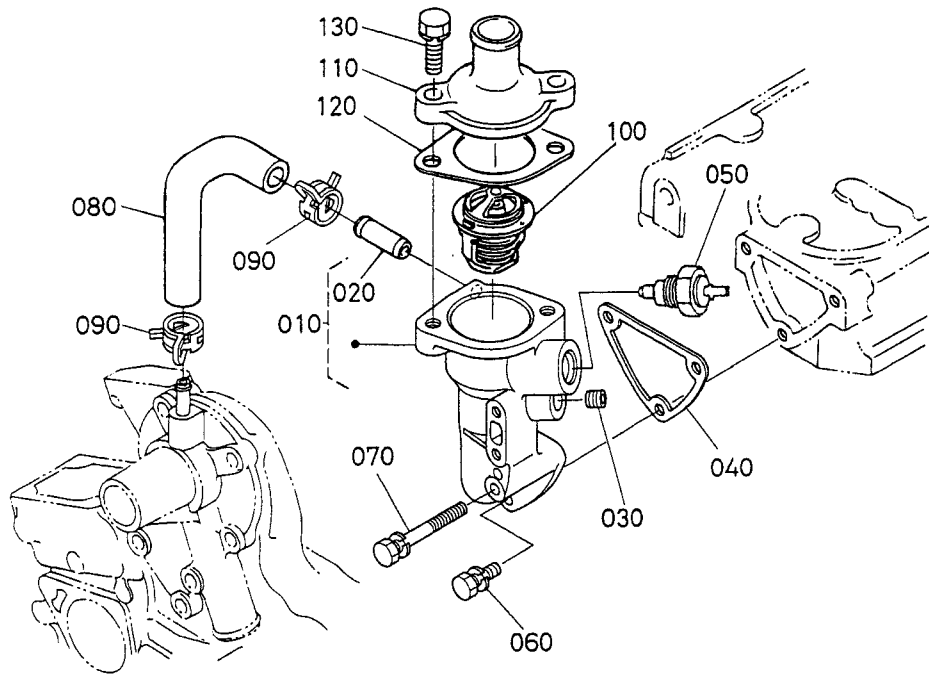
KUBOTA D902E3B —OIL SWITCH ASSY.



KUBOTA D902E3B —OIL SWITCH ASSY.

<u>NO.</u>	<u>PART NO.</u>	<u>PART NAME</u>	<u>QTY.</u>	<u>REMARKS</u>
010	1584139010	SWITCH, OIL	1	

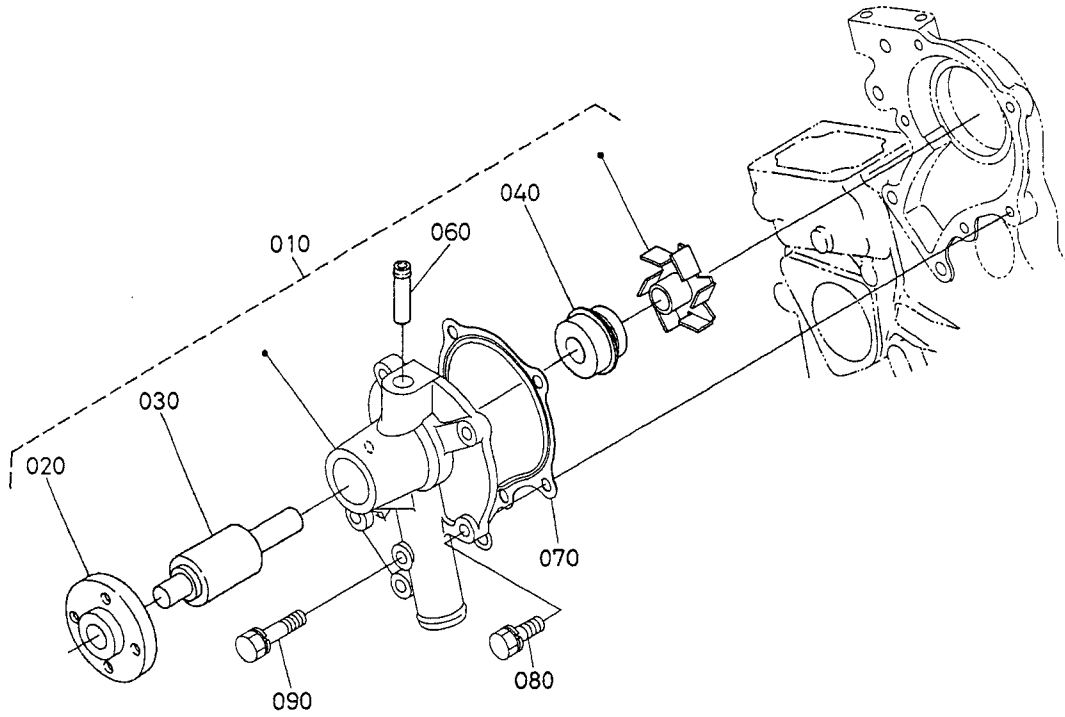
KUBOTA D902E3B —WATER FLANGE AND THERMO. ASSY.



KUBOTA D902E3B —WATER FLANGE AND THERMO. ASSY.

<u>NO.</u>	<u>PART NO.</u>	<u>PART NAME</u>	<u>QTY.</u>	<u>REMARKS</u>
010	1E05172702	COMP. FLANGE, WATER	1	
020	1624173370	PIPE, WATER RETURN	1	
030	1584196020	PLUG	1	
040	1584172923	GASKET, WATER FLANGE	1	
050	1753883040	SWITCH, THERMOMETER	1	
060	0102350616	BOLT	2	
070	0102360650	BOLT	1	
080	1685173350	PIPE, WATER RETURN	1	
090	1624173360	BAND, PIPE	2	
100	1943473014	ASSY THERMOSTAT	1	
110	1E05173260	COVER, THERMOSTAT	1	
120	1622173270	GASKET, THERMOSTAT	1	
130	0112350825	BOLT	2	

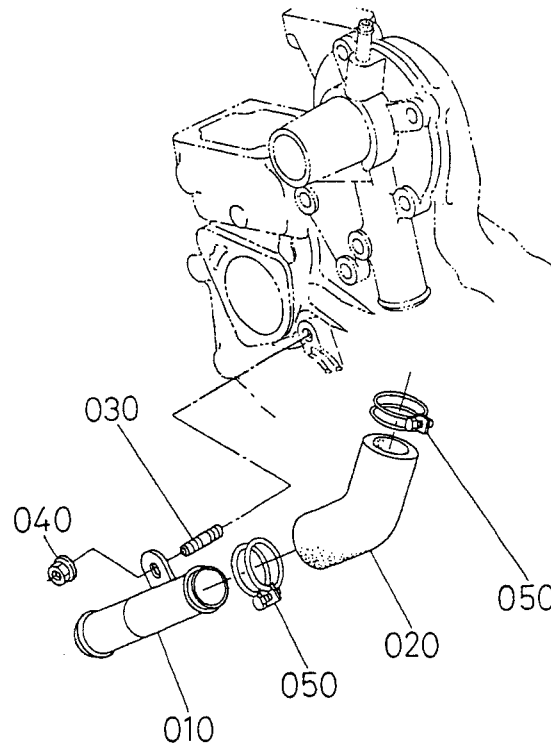
KUBOTA D902E3B —WATER PUMP ASSY.



KUBOTA D902E3B —WATER PUMP ASSY.

<u>NO.</u>	<u>PART NO.</u>	<u>PART NAME</u>	<u>QTY.</u>	<u>REMARKS</u>
010	1G38673032	ASSY., PUMP, WATER	1	
020	1585273520	FLANGE, WATER PUMP	1	
030	1585273550	BEARING	1i	
040	1548173050	ASSY SEAL, MECHANICAL	1	
060	1585273340	PIPE, WATER RETURN	1	
070	1687173430	GASKET, WATER PUMP	1	
080	0102350622	BOLT	4	
090	0102350638	BOLT	1	

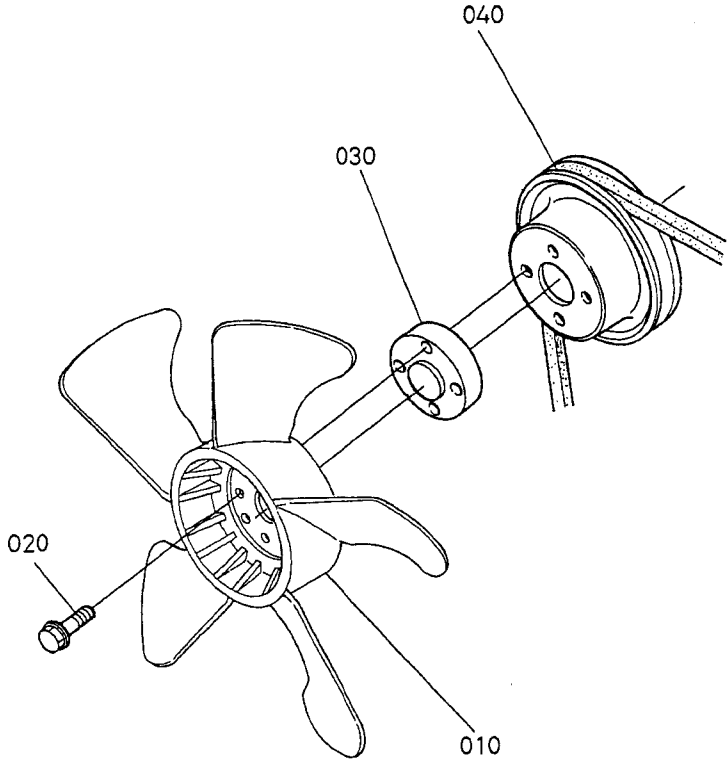
KUBOTA D902E3B —WATER PIPE ASSY.



KUBOTA D902E3B —WATER PIPE ASSY.

<u>NO.</u>	<u>PART NO.</u>	<u>PART NAME</u>	<u>QTY.</u>	<u>REMARKS</u>
010	1680572860	PIPE, WATER	1	
020	1680572870	HOSE, WATER	1	
030	1584191510	STUD	1	
040	0275150060	NUT, FLANGE	1	
050	1584172960	BAND, PIPE	2	

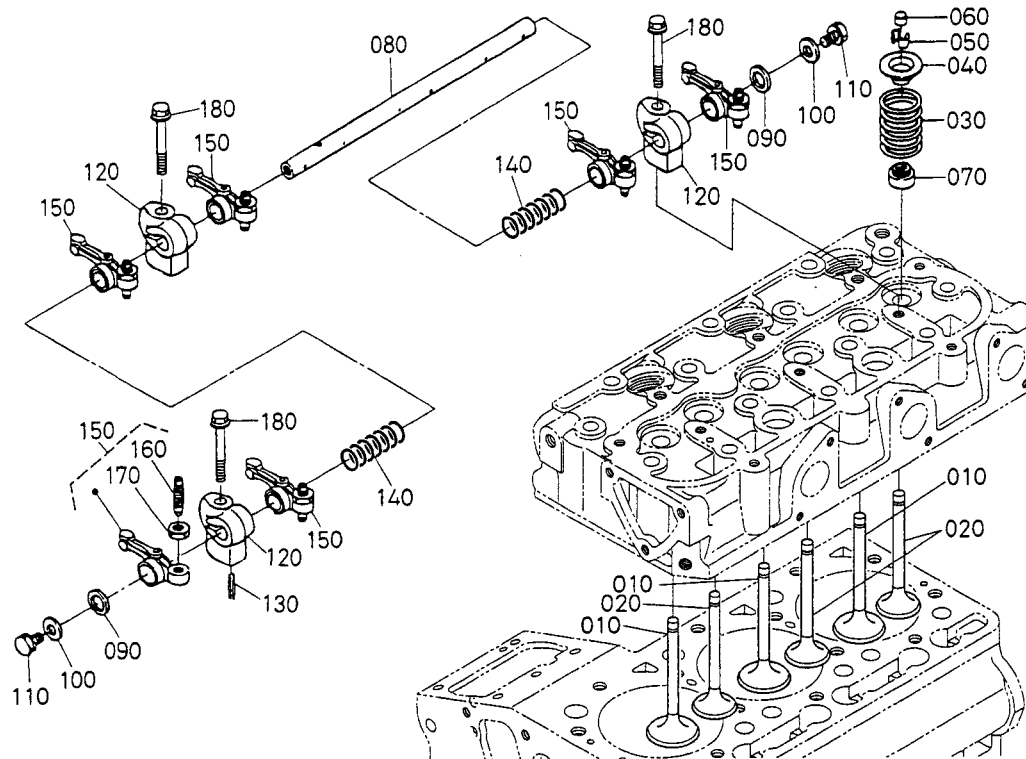
KUBOTA D902E3B —FAN ASSY.



KUBOTA D902E3B —FAN ASSY.

<u>NO.</u>	<u>PART NO.</u>	<u>PART NAME</u>	<u>QTY.</u>	<u>REMARKS</u>
010	1747274110	FAN	1	
020	0175450620	BOLT, FLANGE	4	
030	1587674152	COLLAR, FAN	1	
040	1624174250	PULLEY, FAN	1	

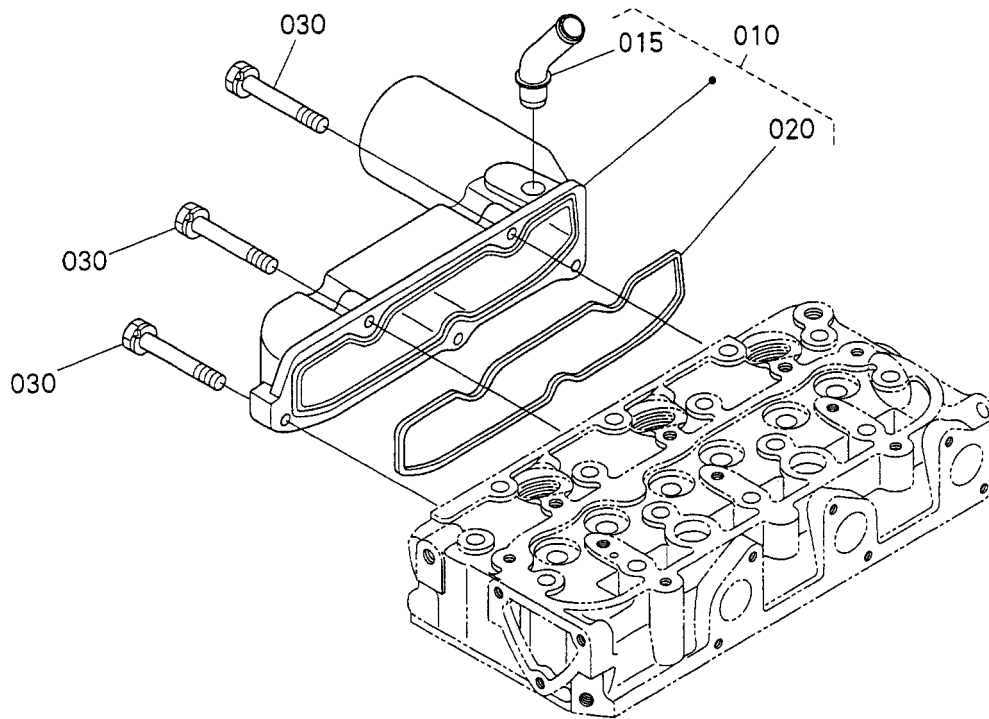
KUBOTA D902E3B —VALVE AND ROCKER ARM ASSY.



KUBOTA D902E3B —VALVE AND ROCKER ARM ASSY.

<u>NO.</u>	<u>PART NO.</u>	<u>PART NAME</u>	<u>QTY.</u>	<u>REMARKS</u>
010	1G68713110	VALVE, INLET	3	
020	1G68713120	VALVE, EXHAUST	3	
030	1460113240	SPRING, VALVE	6	
040	1460113330	RETAINER, SPRING	6	
050	1460113360	COLLET, VALVE SPRING	6	
060	1685113280	CAP, VALVE	6	
070	1142013150	SEAL, VALVE STEM	6	
080	1G96214262	SHAFT, ROCKER ARM	1	
090	1687114430	WASHER	2	
100	1584194022	WASHER, FLAT	2	
110	0102350610	BOLT	2	
120	1G46014350	BRACKET, ROCKER ARM	3	
130	0541100420	PIN, SPRING	1	
140	1G46014312	SPRING, ROCKER ARM	2	
150	1584114036	ASSY ROCKER ARM	6	
160	1584114230	SCREW, ADJUSTING	6	
170	1460114240	NUT	6	
180	0175450640	BOLT, FLANGE	3	

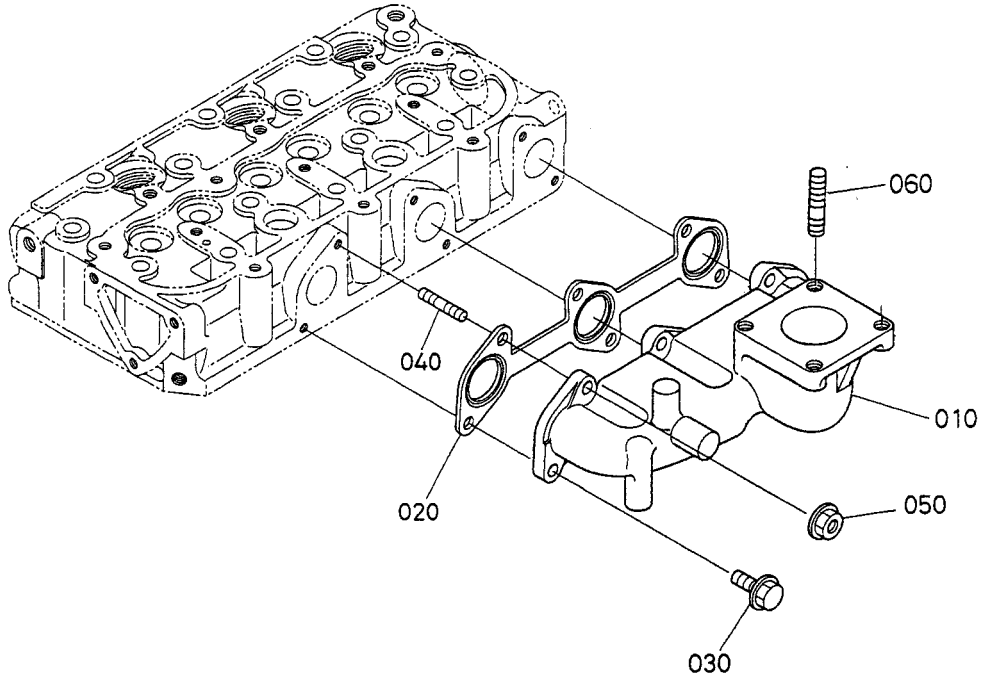
KUBOTA D902E3B —INLET MANIFOLD ASSY.



KUBOTA D902E3B —INLET MANIFOLD ASSY.

<u>NO.</u>	<u>PART NO.</u>	<u>PART NAME</u>	<u>QTY.</u>	<u>REMARKS</u>
010	1G96011770	ASSY., MANIFOLD, INLET	1	
015	1G96005550	PIPE, BREATHER	1	
020	1G96211820	GASKET, INLET MANIFOLD	1	
030	0102350625	BOLT	5	

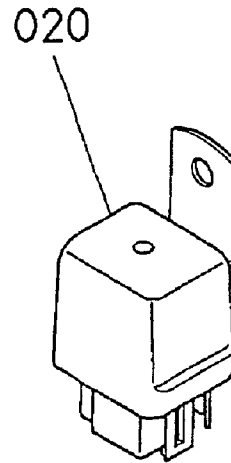
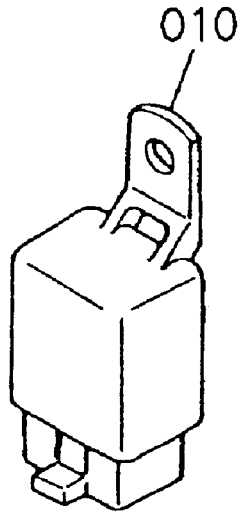
KUBOTA D902E3B —EXHAUST MANIFOLD ASSY.



KUBOTA D902E3B —EXHAUST MANIFOLD ASSY.

<u>NO.</u>	<u>PART NO.</u>	<u>PART NAME</u>	<u>QTY.</u>	<u>REMARKS</u>
010	1E12112310	MANIFOLD, EXHAUST	1	
020	1G96212350	GASKET, EXHAUST MANIFOLD	1	
030	0175950616	BOLT,UBS	3	
040	0151350618	STUD	3	
050	0275650060	NUT, UBS	3	
060	0151350822	STUD	4	

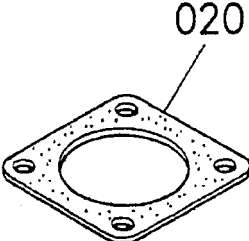
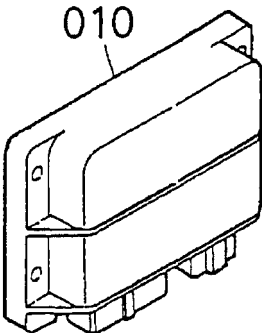
KUBOTA D902E3B —GLOW LAMP AND TIMER ASSY.



KUBOTA D902E3B —GLOW LAMP AND TIMER ASSY.

<u>NO.</u>	<u>PART NO.</u>	<u>PART NAME</u>	<u>QTY.</u>	<u>REMARKS</u>
010	6888153540	COMP. RELAY	2	
020	5H63242510	RELAY, GLOW	1	

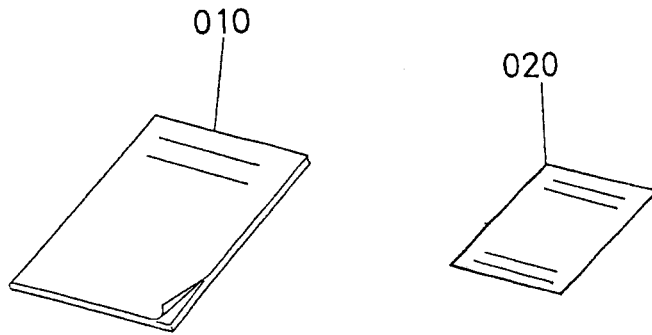
KUBOTA D902E3B —ACCESSORIES AND SERVICE ASSY.



KUBOTA D902E3B —ACCESSORIES AND SERVICE ASSY.

<u>NO.</u>	<u>PART NO.</u>	<u>PART NAME</u>	<u>QTY.</u>	<u>REMARKS</u>
010	1747260604	EMERGENCY, UNIT	1	
020	1526312370	GASKET, MUFFLER NA	1	

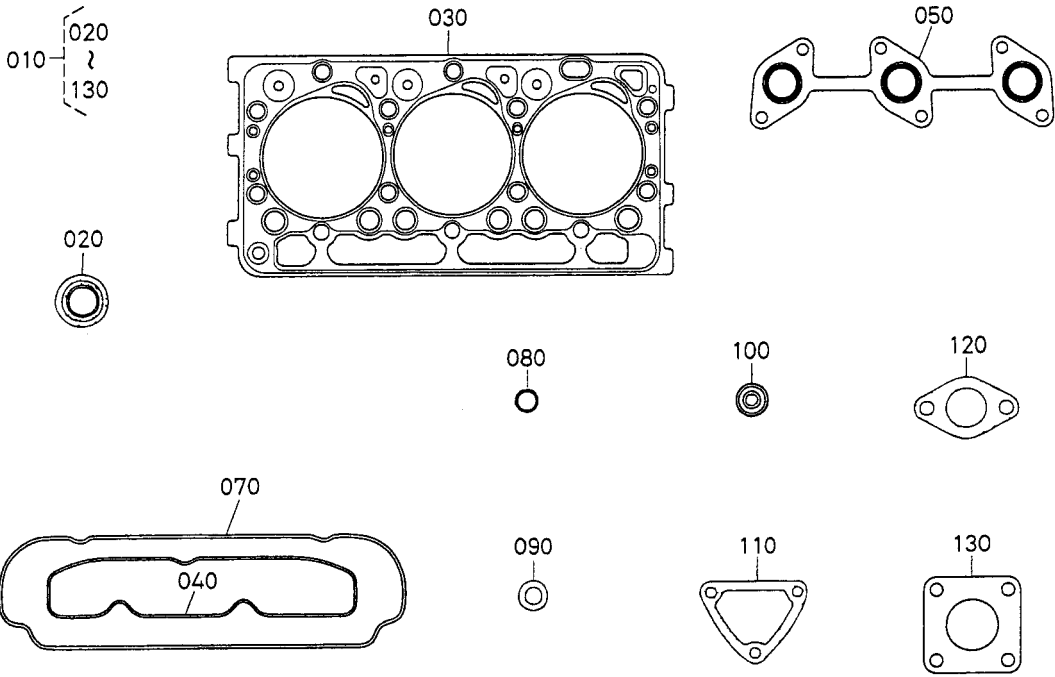
KUBOTA D902E3B — LABEL AND OPS. MANUAL ASSY.



KUBOTA D902E3B —LABEL AND OPS MANUAL ASSY.

<u>NO.</u>	<u>PART NO.</u>	<u>PART NAME</u>	<u>QTY.</u>	<u>REMARKS</u>
010	1G68989160	OPERATOR'S MANUAL	1	
020	1G51189816	STATEMENT, WARRANTY	1	

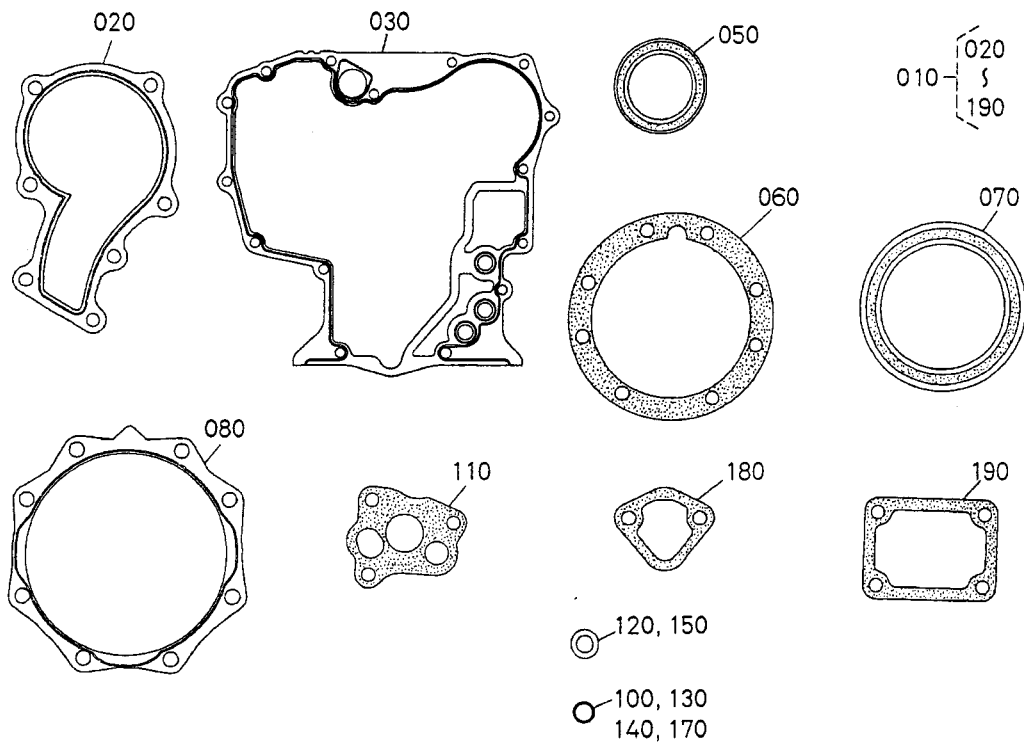
KUBOTA D902E3B —UPPER GASKET KIT ASSY.



KUBOTA D902E3B —UPPER GASKET KIT ASSY.

<u>NO.</u>	<u>PART NO.</u>	<u>PART NAME</u>	<u>QTY.</u>	<u>REMARKS</u>
010	1G82399354	KIT GASKET, UPPER	1	
020	1142013150	SEAL, VALVE STEM	6	
030	1G96203313	GASKET, CYLINDER HEAD	1	
040	1G96211820	GASKET, INMANIFOLD	1	
050	1G96212350	GASKET, EXMANIFOLD	1	
070	1G96214522	GASKET, HEAD COVER	1	
080	0481450300	O-RING	1	
090	1584153622	GASKET	3	
100	1907753650	SEAL, HEAT	3	
110	1584172923	GASKET, WATER FLANGE	1	
120	1622173270	GASKET, THERMOSTAT	1	
130	1526312370	GASKET, MUFFLER NA	1	

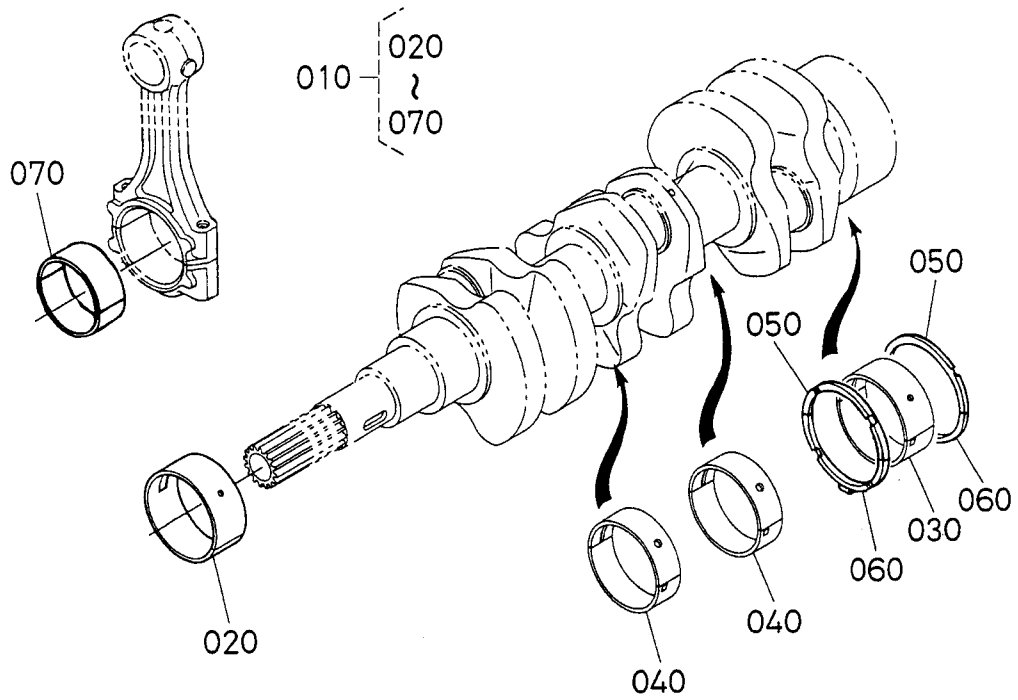
KUBOTA D902E3B —LOWER GASKET KIT ASSY.



KUBOTA D902E3B —LOWER GASKET KIT ASSY.

<u>NO.</u>	<u>PART NO.</u>	<u>PART NAME</u>	<u>QTY.</u>	<u>REMARKS</u>
010	1G31999362	KIT GASKET, LOWER	1	
020	1687173430	GASKET, WATER PUMP	1	
030	1G96204130	GASKET, GEAR CASE	1	
050	1587704140	SEAL, OIL	1	
060	1G96004360	GASKET, BEAR ING CASE	1	
070	1921599160	SEAL, OIL	1	
080	1584104823	GASKET, CASE COVER	1	
100	0481416220	O-RING	1	
110	1685135152	GASKET, OIL PUMP NA	1	
120	1560196650	GASKET	1	
130	0481400160	O-RING	1	
140	0481410070	O-RING	1	
150	1560196650	GASKET	2	
170	0481410160	O-RING	1	
180	1626452140	GASKET, FUEL PUMP	1	
190	1584157212	GASKET, CONTROL PLATE	1	

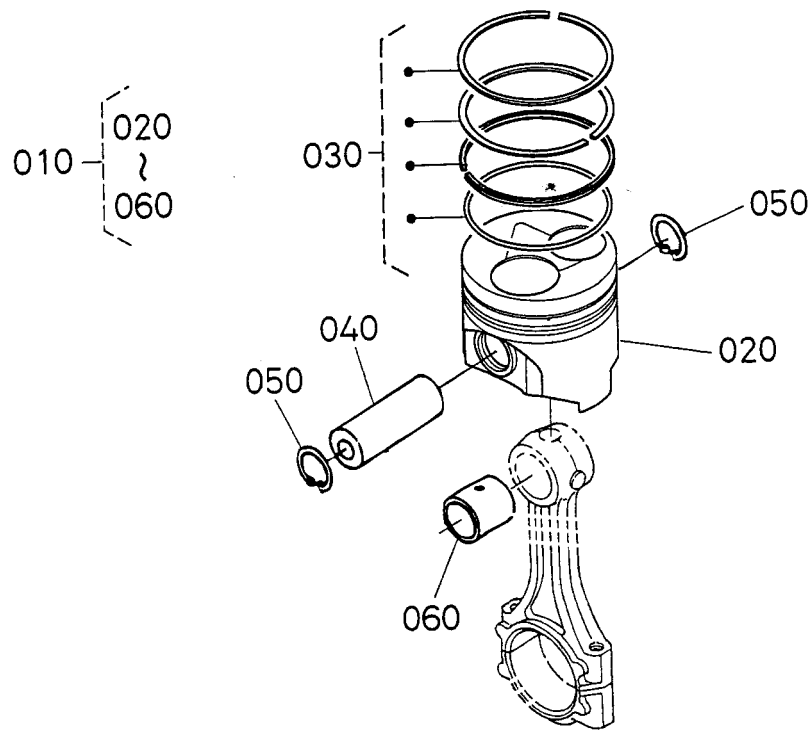
KUBOTA D902E3B —METAL KIT ASSY. OPTIONAL



KUBOTA D902E3B —METAL KIT ASSY. OPTIONAL

<u>NO.</u>	<u>PART NO.</u>	<u>PART NAME</u>	<u>QTY.</u>	<u>REMARKS</u>
010	1G96223752	KIT METAL, ENGINE, STD	1	
010	1G96223762	KIT METAL, ENGINE, -0.20mm	1	
010	1G96223772	KIT METAL, ENGINE, -0.40mm	1	
020	1G46023470	METAL, CRANKSHAFT, STD	1	
020	1G46023910	METAL, CRANKSHAFT,-0.20mm	1	
020	1G46023920	METAL, CRANKSHAFT,-0.40mm	1	
030	1G46023820	ASSY METAL, CRANKSHAFT, STD SET	1	
030	1G46023930	ASSY METAL, CRANKSHAFT,-0.20mm SET	1	
030	1G46023950	ASSY METAL, CRANKSHAFT,-0.40mm SET	1	
040	G46023830	ASSY METAL, CRANKSHAFT, STD SET	2	
040	1G46023940	ASSY METAL, CRANKSHAFT,-0.20mm SET	2	
040	1G46023960	ASSY METAL, CRANKSHAFT,-0.40mm SET	2	
050	1526123530	METAL, SIDE, STD	2	
050	1526123950	METAL, SIDE,-0.20mm	2	
050	1526123960	METAL, SIDE,-0.40mm	2	
060	1526123543	METAL, SIDE, STD	2	
060	1526123973	METAL, SIDE,+0.20mm	2	
060	1526123983	METAL, SIDE,+0.40mm	2	
070	1685122320	METAL,CRANKPIN M, STD SET	3	
070	1586122970	METAL.CRANKPIN,-0.20mm SET	3	
070	1586122980	METAL.CRANKPIN,-0.40mm SET	3	

KUBOTA D902E3B —PISTON KIT ASSY. OPTIONAL



KUBOTA D902E3B —PISTON KIT ASSY. OPTIONAL

<u>NO.</u>	<u>PART NO.</u>	<u>PART NAME</u>	<u>QTY.</u>	<u>REMARKS</u>
010	1G68721770	KIT PISTON, STD	3	
010	1G68721780	KIT PISTON, +0.25mm	3	
020	1G68721113	PISTON, STD	3	
020	1G68721903	PISTON, +0.25mm	3	
030	1G96021050	ASSY PISTON RING, STD	3	
030	1G96021090	ASSY PISTON RING, +0.25mm	3	
040	1687121310	PIN, PISTON	3	
050	1526121330	CIR CLIP, PISTON PIN	6	
060	1685121982	BUSH, PISTON PIN	3	

TERMS AND CONDITIONS OF SALE — PARTS

PAYMENT TERMS

Terms of payment for parts are net 30 days.

FREIGHT POLICY

All parts orders will be shipped collect or prepaid with the charges added to the invoice. All shipments are F.O.B. point of origin. Multiquip's responsibility ceases when a signed manifest has been obtained from the carrier, and any claim for shortage or damage must be settled between the consignee and the carrier.

MINIMUM ORDER

The minimum charge for orders from Multiquip is \$15.00 net. Customers will be asked for instructions regarding handling of orders not meeting this requirement.

RETURNED GOODS POLICY

Return shipments will be accepted and credit will be allowed, subject to the following provisions:

1. A Returned Material Authorization must be approved by Multiquip prior to shipment.
2. To obtain a Return Material Authorization, a list must be provided to Multiquip Parts Sales that defines item numbers, quantities, and descriptions of the items to be returned.
 - a. The parts numbers and descriptions must match the current parts price list.
 - b. The list must be typed or computer generated.
 - c. The list must state the reason(s) for the return.
 - d. The list must reference the sales order(s) or invoice(s) under which the items were originally purchased.
 - e. The list must include the name and phone number of the person requesting the RMA.
3. A copy of the Return Material Authorization must accompany the return shipment.
4. Freight is at the sender's expense. All parts must be returned freight prepaid to Multiquip's designated receiving point.

5. Parts must be in new and resalable condition, in the original Multiquip package (if any), and with Multiquip part numbers clearly marked.
6. The following items are not returnable:
 - a. Obsolete parts. (If an item is in the price book and shows as being replaced by another item, it is obsolete.)
 - b. Any parts with a limited shelf life (such as gaskets, seals, "O" rings, and other rubber parts) that were purchased more than six months prior to the return date.
 - c. Any line item with an extended dealer net price of less than \$5.00.
 - d. Special order items.
 - e. Electrical components.
 - f. Paint, chemicals, and lubricants.
 - g. Decals and paper products.
 - h. Items purchased in kits.
7. The sender will be notified of any material received that is not acceptable.
8. Such material will be held for five working days from notification, pending instructions. If a reply is not received within five days, the material will be returned to the sender at his expense.
9. Credit on returned parts will be issued at dealer net price at time of the original purchase, less a 15% restocking charge.
10. In cases where an item is accepted, for which the original purchase document can not be determined, the price will be based on the list price that was effective twelve months prior to the RMA date.
11. Credit issued will be applied to future purchases only.

PRICING AND REBATES

Prices are subject to change without prior notice. Price changes are effective on a specific date and all orders received on or after that date will be billed at the revised price. Rebates for price declines and added charges for price increases will not be made for stock on hand at the time of any price change.

Multiquip reserves the right to quote and sell direct to Government agencies, and to Original Equipment Manufacturer accounts who use our products as integral parts of their own products.

SPECIAL EXPEDITING SERVICE

A \$35.00 surcharge will be added to the invoice for special handling including bus shipments, insured parcel post or in cases where Multiquip must personally deliver the parts to the carrier.

LIMITATIONS OF SELLER'S LIABILITY

Multiquip shall not be liable hereunder for damages in excess of the purchase price of the item with respect to which damages are claimed, and in no event shall Multiquip be liable for loss of profit or good will or for any other special, consequential or incidental damages.

LIMITATION OF WARRANTIES

No warranties, express or implied, are made in connection with the sale of parts or trade accessories nor as to any engine not manufactured by Multiquip. Such warranties made in connection with the sale of new, complete units are made exclusively by a statement of warranty packaged with such units, and Multiquip neither assumes nor authorizes any person to assume for it any other obligation or liability whatever in connection with the sale of its products. Apart from such written statement of warranty, there are no warranties, express, implied or statutory, which extend beyond the description of the products on the face hereof.

Effective: February 22, 2006

PARTS MANUAL

HERE'S HOW TO GET HELP

PLEASE HAVE THE MODEL AND SERIAL
NUMBER ON-HAND WHEN CALLING

UNITED STATES

Multiquip Corporate Office

18910 Wilmington Ave. Tel. (800) 421-1244
Carson, CA 90746 Fax (800) 537-3927
Contact: mq@multiquip.com

Mayco Parts

800-306-2926 Fax: 800-672-7877
310-537-3700 Fax: 310-637-3284

Service Department

800-421-1244 Fax: 310-537-4259
310-537-3700

MQ Parts Department

800-427-1244 Fax: 800-672-7877
310-537-3700 Fax: 310-637-3284

Warranty Department

800-421-1244, Ext. 279 Fax: 310-537-1173
310-537-3700, Ext. 279

Technical Assistance

800-478-1244 Fax: 310-631-5032

MEXICO

MQ Cipsa

Carr. Fed. Mexico-Puebla KM 126.5 Tel: (52) 222-225-9900
Momoxpan, Cholula, Puebla 72760 Mexico Fax: (52) 222-285-0420
Contact: pmastretta@cipsa.com.mx

CANADA

Multiquip

4110 Industriel Boul. Tel: (450) 625-2244
Laval, Quebec, Canada H7L 6V3 Tel: (877) 963-4411
Contact: jmartin@multiquip.com Fax: (450) 625-8664

UNITED KINGDOM

Multiquip (UK) Limited Head Office

Unit 2, Northpoint Industrial Estate, Tel: 0161 339 2223
Global Lane, Fax: 0161 339 3226
Dukinfield, Cheshire SK16 4UJ
Contact: sales@multiquip.co.uk

© COPYRIGHT 2010, MULTIQUIP INC.

Multiquip Inc and the MQ logo are registered trademarks of Multiquip Inc. and may not be used, reproduced, or altered without written permission. All other trademarks are the property of their respective owners and used with permission.

This manual MUST accompany the equipment at all times. This manual is considered a permanent part of the equipment and should remain with the unit if resold.

The information and specifications included in this publication were in effect at the time of approval for printing. Illustrations, descriptions, references and technical data contained in this manual are for guidance only and may not be considered as binding. Multiquip Inc. reserves the right to discontinue or change specifications, design or the information published in this publication at any time without notice and without incurring any obligations.

Your Local Dealer is:

