

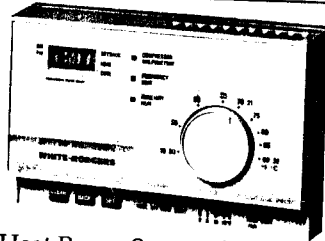
INSTALLATION & OPERATING MANUAL

1F62-21

SETBACK THERMOSTAT



WHITE-RODGERS



(For use on 24 Volt AC Multi-Stage Heat Pump Systems)

Homeowner: Save this booklet for future use!

2

Congratulations!

You have selected the 1F62-21 Setback thermostat. This state-of-the-art thermostat enables you to enjoy maximum comfort and convenience. This thermostat automatically changes temperature settings, which keeps your home comfortable and increases your system's efficiency while you save time.

Your new thermostat is....

- easy to install. You only need one regular screwdriver — all other hardware is included.
- easy to operate.
- equipped with built-in minimum timing cycles, which increase system efficiency and life.

Please read this manual thoroughly before beginning thermostat installation. If you have questions you may call our technical service department at 1-314-577-1300 or toll free at 1-800-876-TECH (8:00 AM to 4:30 PM CST).

In This Guide . . .

Your New Thermostat's Features	4	Minimum Timing Cycles	
Check Your Thermostat's Location	5	Programmed Intelligence	
Your New Thermostat's Components ...	6	Ramp Recovery	
Observe These Safety Precautions	8	Programming Your Thermostat	28
Removing the Old Thermostat	9	Planning for Your Needs	
Installing Your New Thermostat	10	Entering Your Program	
Setting Option Switches	16	Maintaining Your Thermostat	35
Testing Your Thermostat	17	Replacing the Batteries	
Operating Your Thermostat	19	Troubleshooting Your Thermostat	
The Display			
The Clear Button			
The Setback Button			
The Time Set Button			
The Knob and Switches			

**Homeowner: Save this
booklet for future use!**

3

YOUR NEW THERMOSTAT'S FEATURES

- This thermostat incorporates easy one-finger operation.
- The liquid crystal display (LCD) alternately displays time and temperature. Celsius temperature display is optional.
- Indicator flags show AM/PM and temperature system modes.
- During power outages, the thermostat is powered by two standard 1.5v watch batteries. One set of batteries is included with your thermostat. Thermostat programming and clock operation are not affected by power outages when batteries are installed.
- Indicator lights indicate system malfunction and auxiliary and emergency heat operation.
- To provide higher efficiency and better temperature control, and to help increase the life of your system, this thermostat has automatic minimum cycle on and off timing.
- This thermostat incorporates programmed intelligence. The thermostat calls for heat before the end of the setback period.
- This thermostat incorporates ramp recovery. The thermostat will not bring on second stage unless it is needed.

4

CHECK YOUR THERMOSTAT'S LOCATION

You should install your thermostat about five feet (1.5 meters) above the floor in an area with good air circulation and average temperature. Normally, you can simply replace your old thermostat with your new one.

However, you may consider changing the thermostat's location if the thermostat is affected by:

- drafts or dead air spots behind doors and in corners.
- direct exposure to hot or cold air blowing from ducts.
- direct exposure to sunlight or heat from appliances.
- pipes or chimneys located behind the wall where the thermostat is located.
- unheated areas behind the thermostat, such as an outside wall.

5

Your thermostat consists of three parts: the cover, the base, and the subbase. To remove the cover, grasp it and pull straight out from the base. To remove the base, grasp it and pull straight out from the subbase.

NOTE

A ribbon wire runs between the base and subbase. To remove the wire from the subbase, grasp the plastic plug and gently pull it out of the connector, taking care not to bend the connector pins.

7

YOUR NEW THERMOSTAT'S COMPONENTS

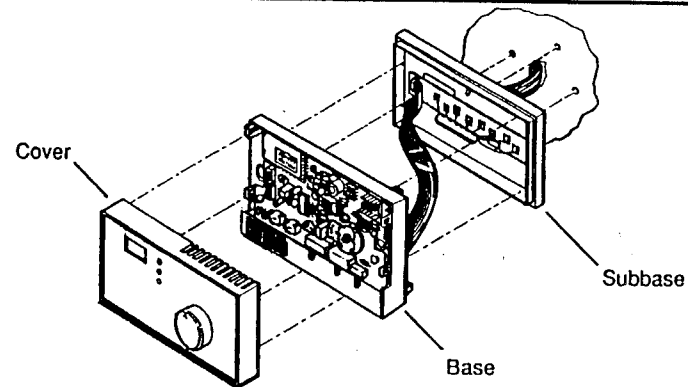


Figure 1. Parts of thermostat

6

OBSERVE THESE SAFETY PRECAUTIONS

WARNING

- **DO NOT USE** on circuits exceeding specified voltage — higher voltage will damage thermostat, and may cause shock or fire hazard.
- **DO NOT SHORT OUT TERMINALS** on primary control to test. Shorts or incorrect wiring will burn out heat anticipator, and may cause personal injury and/or property damage.
- **DISCONNECT POWER** at the main fuse or circuit breaker box before beginning thermostat removal/installation. This will prevent electrical shock and/or damage to the heating/cooling system or thermostat.

CAUTION

- If in doubt about whether your wiring is millivolt, line, or low voltage, have it inspected by a qualified heating/air conditioning contractor.
- Do not exceed specification ratings (24v AC — 30v AC max.; 1 amp.).
- Wiring must conform to local and national codes and ordinances.
- This thermostat is a precision instrument and should be handled carefully. Rough handling or distorting components could cause the thermostat to malfunction.

8

REMOVING THE OLD THERMOSTAT

1. Disconnect 120v AC power.
2. Remove the cover from the old thermostat.
3. Remove terminal wires one at a time. As you remove each wire, tag the wire with the terminal identification (such as Y, G, R) as shown on the old thermostat base (see fig. 2).
4. When all wires are removed, remove the old thermostat base from the wall.

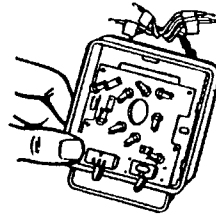


Figure 2. Old thermostat.

9

CAUTION

Never connect the common (neutral) wire on the 24v AC side of the transformer to the thermostat.

NOTE

For systems where neither or only one of the transformers is grounded, you may use this thermostat only if the transformers are properly phased. Use fig. 5 or 6 to wire the thermostat. If you are not sure of your particular application, call a qualified

service person or call the technical service number found elsewhere in this booklet.

4. Attach the subbase to the wall.
5. Connect wires to the appropriate terminals on the subbase. See figs. 3 through 6 to match the tagged wires with the correct terminals.
6. When connections are complete, push excess wire back into the wall's opening. Plug the opening with a fire-resistant insulating material, such as fiberglass insulation, to prevent drafts that could affect thermostat operation.

11

INSTALLING YOUR NEW THERMOSTAT

1. Disconnect 120v AC power.
2. Remove the thermostat cover and base from the subbase. Disconnect the ribbon wire from the subbase by gently pulling the plug out of the connector. Take care not to bend the connector wires.
3. Pull wires through the opening below the terminal screws on the thermostat subbase. Check the wire ends; they should be stripped and corrosion-free.

STOP!

If your system has five or six wires, read the following cautionary statements. If your system has four wires, go directly to step 4.

CAUTION

If you have a two-transformer (5-wire) system and both heat and cool transformer secondaries are grounded, you cannot use this thermostat, even if the transformers are properly phased.

10

7. Connect the ribbon wire from the base to the subbase. Ensure that the wire is not twisted and that the plug and connector are properly aligned.
8. Attach the base to the subbase.
9. Set the option switches to the correct positions (see SETTING OPTION SWITCHES).
10. Place system switch in Off position and reconnect the 120v AC power. The thermostat display should now be operating.

NOTE

If 120v AC power is to be disconnected immediately after thermostat installation, omit step 11 (to conserve battery power).

12

Perform step 11 when power is restored to the system.

11. Pull battery insulation tab down firmly and remove. This will engage the batteries.
12. Replace the thermostat cover. Ensure that the system switch is in the Off position before you begin testing (see TESTING YOUR THERMOSTAT).

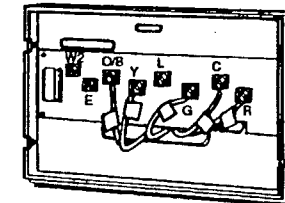


Figure 3. Subbase with typical wiring.

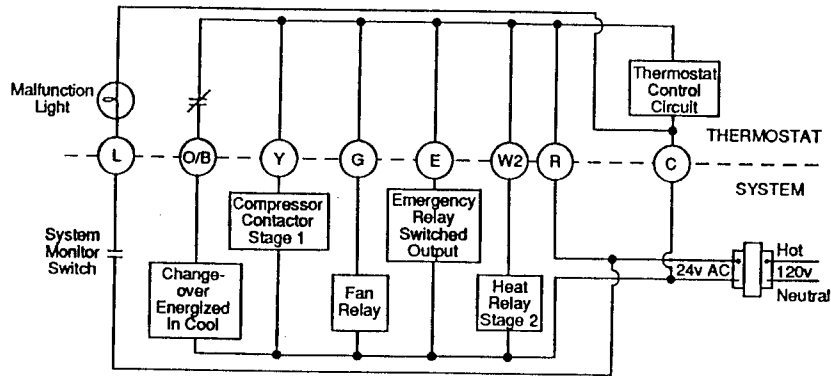


Figure 4. Typical wiring for single transformer systems.

13

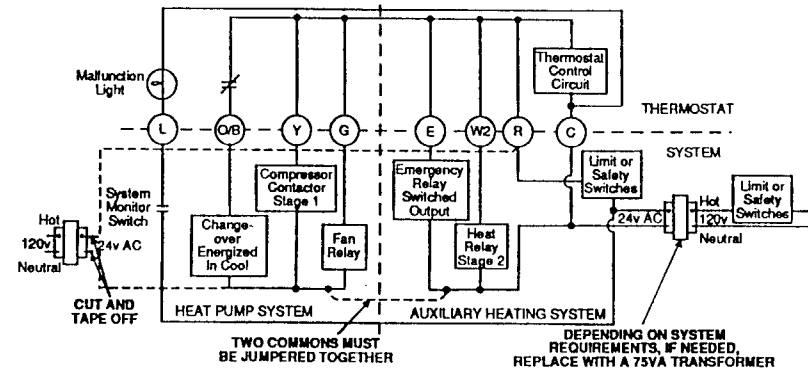


Figure 5. Typical wiring for two-transformer systems with NO Safety Circuits In Heat Pump.

14

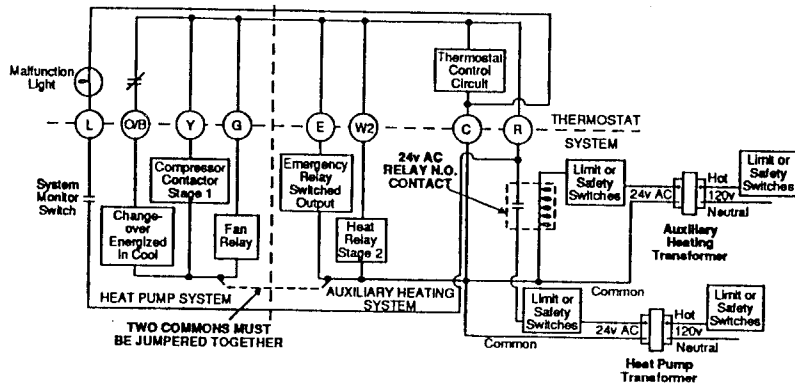


Figure 6. Typical wiring for two-transformer systems with Safety Circuits In BOTH Heat Pump and Auxiliary Units.

15

SETTING OPTION SWITCHES

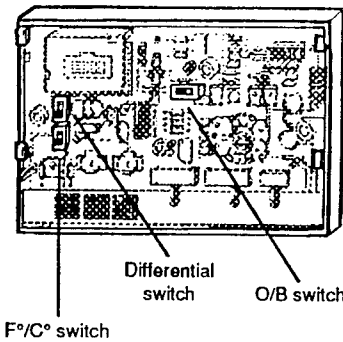


Figure 7. Option switches.

16

The 1/2° DIFFERENTIAL SWITCH is located just below the display on the base. The thermostat is preset at 1°F. At this setting, the thermostat will maintain the room temperature within 1°F of the set temperature (this results in more frequent system on/off cycles). If you move the switch down, the thermostat will maintain the room temperature within 2°F of the set temperature (resulting in longer on/off cycles). Normally, the 1°F setting is used.

The F°/C° SWITCH is located below the differential switch on the base. When you move the switch up, the temperature will be displayed in degrees Fahrenheit.

When you move the switch down, the temperature will be displayed in degrees Celsius.

The O/B SWITCH is located above and slightly left of the temperature control knob on the base. This switch controls the direction of the freon flow through the system by energizing the reversing valve (sometimes referred to as the

changeover relay). If the O/B switch is in the wrong position, on a call for cool the air coming out of the registers will be warm instead of cool, and on a call for heat the air will be cool instead of warm. To correct this problem, move the switch to the other position. This switch is preset to the O position, since most systems energize the reversing valve on a call for cool.

TESTING YOUR THERMOSTAT

Follow these steps to ensure that your thermostat is correctly installed. You may want to refer to **YOUR NEW THERMOSTAT'S COMPONENTS** to help you locate switches you will use during testing. If at any time during testing your system does not work as

indicated, stop testing immediately, disconnect the batteries and 120v AC power, and check thermostat wiring. If wiring is correct, see **TROUBLESHOOTING YOUR THERMOSTAT**.

17

control knob to a setting approximately 5°F below the displayed room temperature. The furnace should

shut off within two minutes (although the fan may continue to run for several more minutes).

OPERATING YOUR THERMOSTAT

Use this section to learn about the operation of the display, buttons, and switches on your new thermostat. You will also find information about other features. If you installed your thermostat, you are already familiar with the display and switch locations. If someone else installed your thermostat for you, you may want to refer to **YOUR NEW THERMOSTAT'S COMPONENTS** to help you locate buttons and switches on the thermostat. After you are familiar

with the operation of your thermostat, refer to **PROGRAMMING YOUR THERMOSTAT** to set your thermostat for your needs.

Before you begin this section, move the system switch to the Off position. This will prevent the system from cycling and causing possible damage while you experiment with the buttons and switches.

19

1. Move the system (Cool-Off-Heat-EmHt) switch to the Off position.
2. Move the fan switch to the Cont. position. The system fan should come on. Move the fan switch to the Auto position. The system fan should turn off.

CAUTION

If the outside temperature is below 40°F, OMIT STEP 3. Running the air conditioner when the temperature is below 40°F can damage the compressor.

3. Move the system switch to Cool. Move the temperature control knob to a setting approximately 5°F below the displayed room temperature. The air conditioner should come on within two minutes. Move the temperature control knob to a setting approximately 5°F above the displayed room temperature. The air conditioner should shut off within two minutes.
4. Move the system switch to Heat. Move the temperature control knob to a setting approximately 5°F above the displayed room temperature. The furnace should come on within two minutes. Move the temperature

18

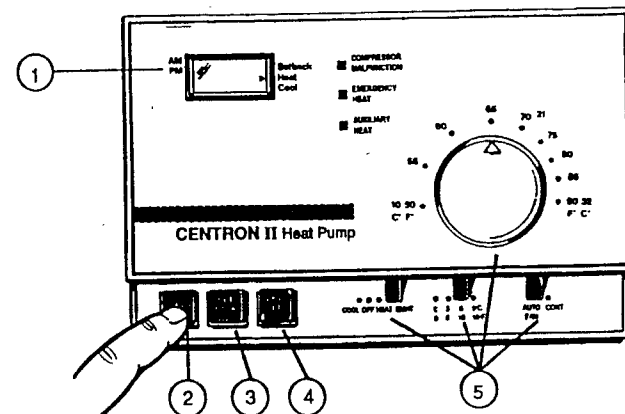


Figure 9. Thermostat display, buttons, switches, and knob.

20

1. THE DISPLAY

The display indicates system status in three ways.



- **AM/PM display:** When the **A** is displayed, the time indicated is **AM**. When the **P** is displayed, the time indicated is **PM**.
- **Time/temperature display:** The time display is a 12-hour clock. The temperature is displayed either in degrees Fahrenheit or degrees Celsius, depending on which option

you choose (see **SETTING OPTION SWITCHES**). The time and temperature are alternately displayed.

- **Indicator arrows:** These arrows indicate which part of the system is currently operating. The top arrow indicates that the setback mode is activated. The middle arrow indicates that the heating system is activated. The bottom arrow indicates that the cooling system is activated. If you currently have the system switch in the **Off** position, there may not be any arrows displayed.
- **Indicator lights:** The Compressor Malfunction light comes on if compressor failure occurs in heat pump (if properly wired). The Emergency Heat light comes on

21

when the system switch is in the **EmHt** position. The **Auxiliary Heat** light comes on when second stage (electric strip) heating is activated.

2. THE CLEAR BUTTON

Use the **clear button** to erase all setback times stored in memory. Press and hold down the **clear button** until **Clr** appears on the display (approximately five seconds), then release. The display will again alternately display time and temperature, and all setback times will be erased.

22

3. THE SETBACK BUTTON

You will use the **setback button** to program the temperature setback time periods you want. Press and release the **setback button**. The top arrow on the display should now be visible. Press and release the **setback button** again. The setback indicator on the display should now be off. You will find more information about using the **setback button** in **PROGRAMMING YOUR THERMOSTAT**.

4. THE TIME SET BUTTON

Press and release the **time set button**. The time setting will advance one minute. Press and hold down the time

set button. The time setting will advance one minute per second for four seconds. Then it will advance rapidly through the 24-hour time period.

5. THE KNOB AND SWITCHES

You use the **temperature control knob** to set the desired room temperature. The actual room temperature may vary from the temperature you set, depending on setback switch and differential option switch settings.

You use the **system (Cool-Off-Heat-EmHt) switch** to activate (or deactivate) your system. When the switch is in the **Off** position, all systems will be off. When the switch is in the **Cool** position,

the thermostat will cycle only the cooling system. When the switch is in the **Heat** position, the thermostat will cycle only the heating system, using the heat pump as first stage heating. If room temperature falls 3°F below set temperature, the second stage heating unit will be activated to raise room temperature to setpoint. If you have backup (electric strip) heating, setting the switch to the **EmHt** position will activate the **W2** terminal (electric strip heater) and the system fan. If the heat pump is equipped with two stages of backup heat, in the **EmHt** position, the **E** terminal (second backup heating unit) will be activated when the room temperature falls 3°F below setpoint. Use the **EmHt** position if compressor fails, or if the outdoor

23

temperature is so low that the heat pump cannot transfer enough heat to maintain indoor temperature setpoint.

The setback switch allows you to determine how much the temperature will change during setback periods. The switch settings (0°F, 5°F, 10°F, and 15°F) indicate how much the temperature will be adjusted during setback periods. You will find more information about using the setback switch in **PROGRAMMING YOUR THERMOSTAT**.

You use the fan switch to control the system fan. When the switch is in the **Auto** position, the fan will cycle automatically when the heat/cool system turns on. When the switch is in the **Cont.**

24

position, the fan will run continuously whether or not the heat/cool system is on.

The **option switches** allow you to adjust your thermostat to meet your needs. You will find more information about the option switches in **SETTING OPTION SWITCHES**.

MINIMUM TIMING CYCLES

The thermostat has built-in timing cycle controls. These controls increase the efficiency of your system and protect the system from turning on and off excessively (excessive cycling may damage the system or shorten its life).

In the heating mode, once the heating unit has turned on, it will continue to run for at least four minutes, even if the set (or setback) temperature is reached in less than four minutes. If the room temperature does not reach the set/setback temperature during the minimum period, the heating unit will continue to run until the set/setback temperature is reached. After the heating unit turns off, it will not turn on again for at least six minutes. If the heating unit tries to turn on before the six-minute minimum period has expired, the heat indicator light on the thermostat display will flash. After the minimum time period has expired, the heating unit will turn on.

In the cooling mode, once the cooling unit has turned on, it will continue to run for at least six minutes, even if the set/setback temperature is reached in less than six minutes. If the room temperature does not reach the set/setback temperature during the minimum period, the cooling unit will continue to run until the set/setback temperature is reached. After the cooling unit turns off, it will not turn on again for at least six minutes. If the cooling unit tries to turn on before the six-minute minimum period has expired, the cool indicator light on the thermostat display will flash. After the minimum time period has expired, the cooling unit will turn on.

25

You may temporarily override the minimum timing cycle in two ways:

- Move the **temperature control knob** at least 5°F from its current position.
- Move the **system switch** from its current position and back (for example, moving the system switch from **Heat to Cool** and back to **Heat** again will override the minimum cycle time).

26

PROGRAMMED INTELLIGENCE

NOTE

Programmed intelligence operates only in the heating mode.

This thermostat is designed to turn on the heating system before the setback period ends. This enables the heating system to slowly raise the temperature to the set temperature by the end of the setback period. A 5°F setback starts the heating system 30 minutes before the setback period ends. A 10°F setback starts the heating system 60 minutes

before the setback period ends. A 15°F setback starts the heating system 90 minutes before the setback period ends. For example, if you have programmed a setback period from 10:00 PM to 6:00 AM and you have chosen a 10°F temperature setback from your normal 72°F heat setting, the thermostat would start the heating system at 5:00 AM (1 hour before the setback period ends) and slowly raise the temperature so that at 6:00 AM the room temperature will be 72°F.

RAMP RECOVERY

Ramp recovery controls unnecessary use of electric strip heaters in two stage heat pump systems. This is achieved by slowly ramping the room temperature using only the heat pump to maintain room temperature and using the electric strip heaters only when the heat pump alone cannot maintain room temperature.

27

PROGRAMMING YOUR THERMOSTAT

Programming your new thermostat is easy. Follow these procedures for planning and programming, then you will be ready to enjoy complete comfort and efficiency.

NOTE

Please save these instructions! You may want to change your thermostat programming at a future date.

28

PLANNING FOR YOUR NEEDS

This thermostat is designed to provide comfort and efficiency by allowing you to program setback time periods. A setback is a time period during which the thermostat will automatically raise the temperature (during the cooling season) or lower the temperature (during the heating season). Most users program setbacks for times when they will be sleeping or out of the house. When the setback time period ends, the thermostat automatically resets the temperature. The thermostat allows you to program setbacks in blocks as small as 15 minutes,

on the quarter hour (6:00 AM to 6:15 AM or 10:30 PM to 10:45 PM are examples of the smallest blocks of time you can program for a setback).

Look at the sample programming table to get an idea of how you can program your thermostat. Table 1 shows programming plans for a household where the home is unoccupied during the day, and for a household where the home is occupied during the day.

Use table 2 (or make your own) to plan the programmed setbacks you will need. If you refer to your table while programming your thermostat, programming will be much easier for you. Remember that

you can program up to 48 setbacks in a 24-hour period. This may be useful if people in your household work different shifts, or if your home is unoccupied for short periods during the day or evening (for example, you may want to use the setback feature while you attend an evening class).

ENTERING YOUR PROGRAM

Follow these steps to program your thermostat. Before you begin programming, press and hold down the Clear button until the display reads "Clr". This erases any programs that you may entered while experimenting with your thermostat.

29

Table 1. Samples of Typical Program Plans

Sample program when home is unoccupied during day

Typical Schedule	BEGIN Setback Time	END Setback Time
Go to bed at 10:00 PM	10:00 PM	
Wake up at 6:00 AM		5:45 AM
Last person leaves for work at 8:15 AM	8:00 AM	
First person arrives home from work at 5:15 PM		5:00 PM

Sample program when home is occupied during day

Go to bed at 10:00 PM	10:00 PM	
Wake up at 6:00 AM		5:45 AM

30

Table 2. Your Programming Plan

Your Schedule	BEGIN Setback Time	END Setback Time

NOTE

You must complete steps 2 through 4 within one minute. If you do not complete these steps within one minute, start again at step 1.

1. Look at your programming plan table 2 to determine your first planned "begin setback" time, then press and hold the time set button until this time is displayed (also check the display for the correct AM or PM mode).
2. Press the setback button.
3. Check the display. The setback indicator arrow should be on.

4. Look at your programming plan table 2 to determine your first planned "end setback" time, then press and hold the time set button until this time is displayed.
5. Press the setback button.
6. Check the display. The setback indicator arrow should be off.

Your first setback time is programmed! To program all the setbacks you want, just repeat steps 1 through 6 for each begin/end setback time period. After you have programmed all desired setback time periods, you may want to review your programmed setback periods. If so, proceed to step 7. If you don't want to review your programming, omit step 7 and proceed to step 8.

31

- Press and hold the time set button. Watch the display. When a programmed "begin setback" time is displayed, the setback indicator arrow will turn on. You may check the programmed "begin setback" time by releasing the time set button when the indicator arrow turns on (keep in mind that the time displayed will probably not be the exact time you programmed, since it may take you a moment to release the button after the indicator arrow turns on). Press and hold the time set button again. When a programmed "end setback" time is displayed, the setback indicator arrow will turn off. You may check the programmed

"end setback" time by releasing the time set button when the indicator arrow goes off. You may keep pressing, holding, and releasing the time set button until you have checked all your programmed setback time periods.

- Set the time of day by pressing the time set button until the correct time is displayed (also check the AM/PM mode).
- Move the temperature control knob to the temperature you want maintained when the house is occupied.
- Move the setback switch to the desired position. The setback switch has four settings (0°F, 5°F, 10°F, and

15°F). This switch tells the thermostat how much to adjust the temperature during setback periods. For example, if (in the winter) you want to maintain the temperature at 68°F when the house is occupied, but you want the temperature to be 63°F when you are sleeping or the house is unoccupied, you should move the setback switch to 5°F. The thermostat will then maintain the temperature at 5°F below the set temperature during setback periods. Table 3 shows examples of possible set temperatures and setback switch combinations you might use.

- Move the system switch to Heat or Cool as desired.

Your thermostat is now programmed and will adjust the temperature when setback program times are displayed.

To reprogram your thermostat, press and hold the Clear button until the display reads "Clr". This will cancel previous programming. Then you may reprogram by following the above steps.

Table 3. Set/Setback Temperature Examples

SAMPLE TEMPERATURE/SETBACK TEMPERATURES FOR HEATING SEASON			SAMPLE TEMPERATURE/SETBACK TEMPERATURES FOR COOLING SEASON		
If set temperature when home is occupied is...	...and setback switch is set to...	...during setback periods, the temperature will be...	If set temperature when home is occupied is...	...and setback switch is set to...	...during setback periods, the temperature will be...
65°F	0°F 5°F 10°F 15°F	68°F 63°F 58°F 53°F	72°F	0°F 5°F 10°F 15°F	72°F 77°F 82°F 87°F
72°F	0°F 5°F 10°F 15°F	72°F 67°F 62°F 57°F	75°F	0°F 5°F 10°F 15°F	75°F 80°F 85°F 90°F
75°F	0°F 5°F 10°F 15°F	75°F 70°F 65°F 60°F	79°F	0°F 5°F 10°F 15°F	79°F 84°F 89°F 94°F

MAINTAINING YOUR THERMOSTAT

When properly installed and maintained, your new thermostat is designed to provide years of service. This section contains information about replacing batteries and troubleshooting the thermostat and system. This information is provided to help ensure that your thermostat will continue to provide complete comfort control.

REPLACING THE BATTERIES

Two batteries have been included with your thermostat. These batteries provide power to the thermostat during any

power interruptions. The thermostat is not designed to run on battery power alone, but the batteries will maintain your programming and the time of day in the event of a power interruption. Battery life is dependent on system switch position and frequency and duration of power interruptions. To maintain full battery power at all times, you should replace the batteries once a year.

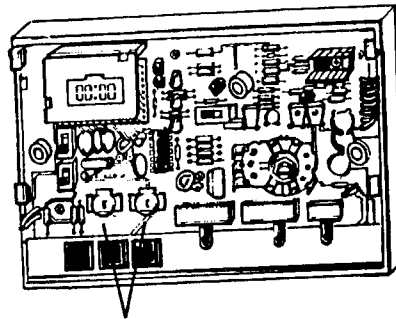
The thermostat's batteries are the same type used in many watches and digital clocks. These batteries are available in most stores that carry watch batteries,

and the dealer where your thermostat was purchased should also carry replacement batteries.

You may use the following battery types as replacements: 303BP, WS14, RW22, Type A, 8002, ANSI No. S-15, IEC No. SR44, NEDA No. 1107SO, or equivalent.

Follow these steps to replace batteries.

1. Remove the thermostat cover.
2. Locate the batteries above the time set button (see fig. 9).
3. Gently remove the old batteries. Be careful not to damage the thermostat.



Batteries

Figure 9. Battery location.

4. Insert the new batteries with the flat (+) side up.
5. Replace the cover.

If you or your service person cannot solve the problem using this manual as a guide, you may call our technical service line at 1-314-577-1300 or toll free 1-800-876-TECH (8:00 AM to 4:30 PM CST).

TROUBLESHOOTING YOUR THERMOSTAT

If you suspect that your thermostat is not working correctly, use table 4 to help you isolate the problem. You may be able to solve the problem yourself, but some procedures should be performed only by a qualified service person (this is noted in the "Action" column).

Table 4. Troubleshooting Table

PROBLEM	POSSIBLE CAUSE	ACTION TO TAKE	IN MANUAL, REFERENCE SECTION ...
No display	1. Miswired 2. No voltage to thermostat	<ul style="list-style-type: none"> • Check thermostat wiring • Remove batteries. Check for 20-24v AC between R & Y terminals with system switch in Off position. If no voltage, check for limit switch operation. 	INSTALLING YOUR THERMOSTAT
Frozen display	1. Static electricity	<ul style="list-style-type: none"> • Remove batteries from thermostat. Disconnect power to system. Display will go blank. Leave power off for a minimum of five minutes. Turn power on, reinstall batteries, and reprogram thermostat. 	OPERATING YOUR THERMOSTAT; PROGRAMMING YOUR THERMOSTAT
Heat turns on on call for cool (or vice versa)	1. O/B switch in wrong position	<ul style="list-style-type: none"> • Move O/B switch to other position. 	SETTING OPTION SWITCHES
Heat will not turn on	1. Not in Heat mode 2. Not calling for heat 3. System failure	<ul style="list-style-type: none"> • Move system switch to Heat position. • Check heat indicator arrow on display. If off, move temperature knob clockwise and ensure thermostat is not in setback mode. • Ensure heat indicator arrow is on. Check for voltage at furnace. Call 800 number for assistance. 	OPERATING YOUR THERMOSTAT OPERATING YOUR THERMOSTAT OPERATING YOUR THERMOSTAT

(Table continued on next page)

PROBLEM	POSSIBLE CAUSE	ACTION TO TAKE	IN MANUAL, REFERENCE SECTION ...
Cooling system will not turn on	1. Not in Cool mode 2. Not calling for cool 3. Bad compressor contactor	<ul style="list-style-type: none"> • Move system switch to Cool. • Check cool indicator arrow on display. If off, move temperature knob counterclockwise and ensure thermostat is not in setback mode. • Check for voltage at compressor contactor - call service person for repair. 	OPERATING YOUR THERMOSTAT OPERATING YOUR THERMOSTAT
Large temperature swing	1. Thermostat location 2. Differential switch set to 3°F	<ul style="list-style-type: none"> • Relocate thermostat. • Move differential switch to 1°F. 	CHECK YOUR THERMOSTAT'S LOCATION SETTING OPTION SWITCHES
On/off cycles too short	1. Thermostat location 2. Differential switch set to 1°F 3. Miscalibrated	<ul style="list-style-type: none"> • Relocate thermostat. • Move differential switch to 3°F. • Thermostat is calibrated at factory at 70°F and should need no further calibration - if calibration is needed, call 800 number for assistance. 	CHECK YOUR THERMOSTAT'S LOCATION SETTING OPTION SWITCHES

If you need further information on installation or programming instructions, you may call our technical service department (8:00 AM to 4:30 PM CST) at 1-314-577-1300 or toll free at 1-800-876-TECH.



White-Rodgers Division, Emerson Electric Co.
9797 Reavis Road, St. Louis, MO 63123
(314) 577-1300



37-4695A
9001