

Features

- Inner frame, made of galvanized steel and lined with self-extinguishing thermal insulation material.
- Coil for 2 pipe systems, independent of the inner frame and provided with antitorison structure. Standard water connections are on the right side of the unit, facing the air outlet; however they can be supplied left hand side on request; all water connections are 1/2" G female.
- Centrifugal fan deck independent of the inner frame with two aluminium impellers and galvanized steel scrolls, dynamically balanced; it includes the insulated condensate tray.
- 3 speed single phase motor, with permanently connected capacitor and thermal protection for the windings.
- Terminal board for the electric connections, fitted into a plastic box (ABS), mounted on the left side of the inner structure and easily removable.
- Outer casing, made of white (RAL 9001) ABS plastic (YSF and YSW models).
- Panel frontage made of sheet steel and painted with epoxy powders, of the same colour of the casing (YSF and YSW models).
- Air intake group (YSF and YSW models) and air delivery grilles (model YSW), both made of heat-resistant ABS plastic.
- Protection grill on the air delivery, made of heat-resistant ABS plastic (YSF and YSW models).
- Feet set (only YSF model), made of the same material and colour of the casing.
- Foldaway filter, easily removable, consisting of either an ABS plastic structure (YSW model) or a metallic structure (all other models), with a filter element made of polypropylene.

Fan Coil Unit SAPHIR (2 & 4 pipe system)

A complete range from 0.8 kW up to 3.5 kW



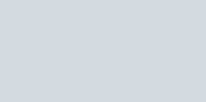
CSL00 (Built in)
CSR00 (Wall mounted)
Fan speed selector



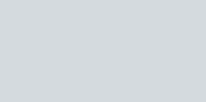
CML00 (Built in)
CMR00 (Wall mounted)
Thermostat with manual fan speed and S/W change over



CEL00 (Built in)
CER00 (Wall mounted)
Thermostat with manual fan speed and automatic change over



CEL20 (Built in)
CER20 (Wall mounted)
Thermostat with auto. fan speed and automatic change over



CEL30 (Built in)
CER30 (Wall mounted)
Thermostat with auto. fan speed and automatic change over for modulating valve

Fan Coil Unit SAPHIR

0.8 to 3.5 kW



Technical features

Model		130	140	230	240	
Total cooling capacity [kW]	(1)	max	1.50	2.00	2.87	3.52
		med	1.14	1.54	2.39	3.00
		min	0.83	1.13	1.86	2.29
Sensible cooling capacity [kW]	(1)	max	1.16	1.58	2.16	2.70
		med	0.86	1.19	1.78	2.27
		min	0.62	0.85	1.37	1.70
Water flow in cooling [l/h]	(1)	max	282	342	493	605
		med	197	264	410	515
		min	143	197	319	394
Pressure drop in cooling [kPa]	(1)	max	1.9	2.9	7.0	10.1
		med	0.9	1.7	5.1	7.6
		min	0.5	0.9	3.2	4.7
Heating capacity 2 pipes [kW]	(2)	max	1.98	2.79	3.83	4.82
		med	1.49	2.07	3.21	4.05
		min	1.09	1.48	2.50	3.07
Water flow in heating 2 pipes [l/h] *	(2)	max	282	342	493	605
		med	197	264	410	515
		min	143	197	319	394
Pressure drop in heating 2 pipes [kPa]	(2)	max	1.6	2.4	5.8	8.4
		med	0.7	1.4	4.2	6.3
		min	0.4	0.7	2.7	3.9
Heating capacity 2 pipes [kW]	(3)	max	3.81	5.10	6.56	8.21
		med	2.84	3.91	5.44	6.89
		min	2.09	2.83	4.23	5.20
Water flow in heating 2 pipes [l/h]	(3)	max	333	450	574	718
		med	248	342	476	602
		min	183	247	370	455
Pressure drop in heating 2 pipes [kPa]	(3)	max	2.1	4.1	7.2	10.7
		med	1.1	2.3	5.1	7.8
		min	0.6	1.1	3.3	4.7
Heating capacity 4 pipes [kW]	(3)	max	1.94	2.36	3.28	3.73
		med	1.59	1.97	2.92	3.38
		min	1.25	1.59	2.48	2.84
Water flow in heating 4 pipes [l/h]	(3)	max	170	206	287	326
		med	139	172	256	296
		min	109	139	217	248
Pressure drop in heating 4 pipes [kPa]	(3)	max	2.2	3.3	10.4	13.2
		med	1.5	2.3	8.5	11.0
		min	0.9	1.5	6.3	8.0
Air flow [m ³ /h]		max	275	390	425	550
		med	201	288	330	460
		min	125	190	246	325
Sound power level [dB(A)]		max	44	53	48	55
		med	36	45	43	50
		min	28	35	35	41
Sound pressure level [dB(A)]	(4)	max	35	44	39	46
		med	27	36	34	41
		min	19	26	26	32
Power supply [V-ph-Hz]		230 - 1- 50				
Power input [W]	max	31	42	61	63	
Absorbed current [W]	max	0.14	0.20	0.29	0.28	
Water content (2 pipes) [l]		0.96	0.96	1.40	1.40	

(1) Room temperature 27°C d.b., 19°C w.b. - Water temperature 7/12 °C

(2) Room temperature 20°C - Water inlet temperature: 50°C

(3) Room temperature 20°C - Water inlet temperature: 70/60°C

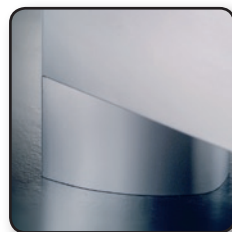
(4) Sound pressure level in a 100 m² room, at 1,5 m distance and riverberating time of 0,3 s.

* Water flow values as Cooling, accordingly to the EUROVENT standards and UNI ENV 1397

Features & Accessories


Protection grill :

Delivered in standard (YSF, YSW).


Feet set :

Delivered in standard (only YSF).

LUX :

Metallic aluminium grey cabinet (YSF, YSW).


Foloway filter :

Delivered in standard. (ABS plastic structure for YSF model, metallic structure for all other models).


CDI :

Built-in digital regulator (YSF, YSW).


PPV :

Back panel painted in RAL 9001 (YSF).

PPV LUX :

Back panel painted in metallic aluminium gray colour (YSF).


DTH2902 :

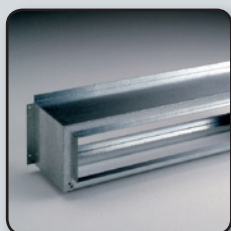
Insulated ON/OFF valves, for 2 and 4 pipes.


KREL :

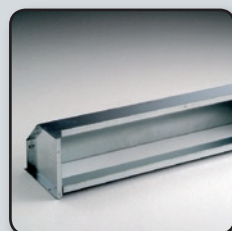
Electric heater kit.


PC :

Condensing pump.


KPA :

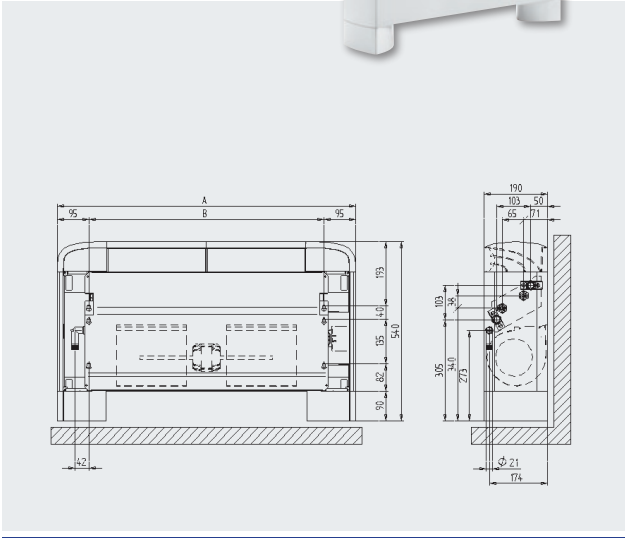
Air suction plenum (YCIV, YCIH).


KPM :

Air delivery plenum (YCIV, YCIH).

Dimensions & Weights

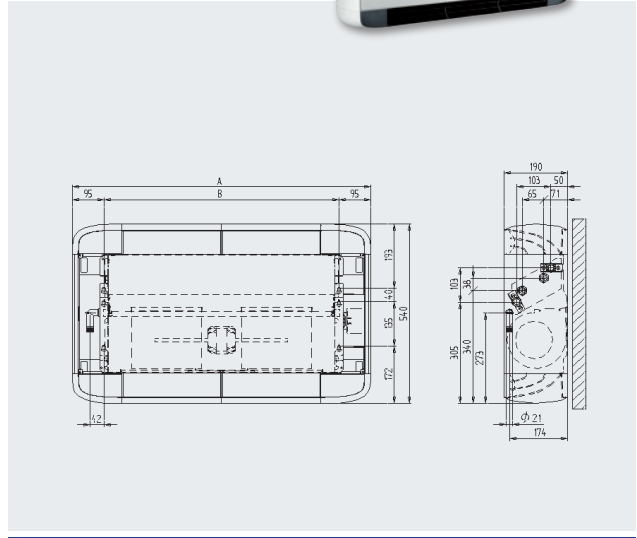
Model YSF 10 to 40



All dimensions in mm. Drawings not a scale.

Mod.	10	20	30	40
A	900	900	1 200	1 200
B	710	710	1 010	1 010
kg	19	19	27	27

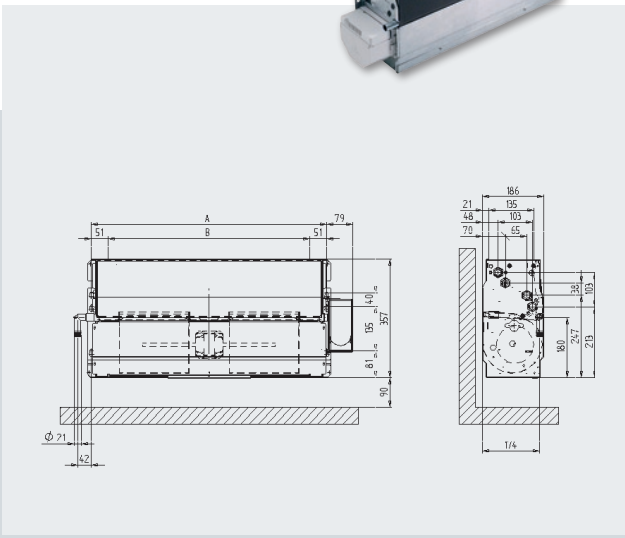
Model YSW 10 to 40



All dimensions in mm. Drawings not a scale.

Mod.	10	20	30	40
A	900	900	1 200	1 200
B	710	710	1 010	1 010
kg	19	19	29	29

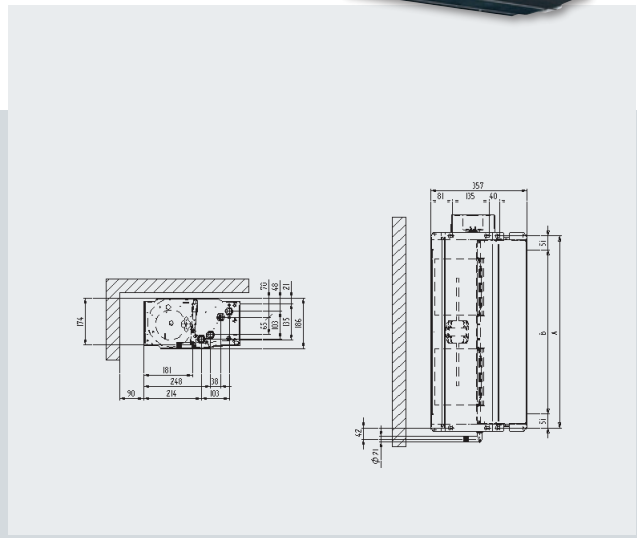
Models YCIV 10 to 40



All dimensions in mm. Drawings not a scale.

Mod.	10	20	30	40
A	710	710	1 010	1 010
B	609	609	909	909
kg	14	14	20	20

Models YCIH 10 to 40



All dimensions in mm. Drawings not a scale.

Mod.	10	20	30	40
A	710	710	1 010	1 010
B	609	609	909	909
kg	14	14	20	20

Notes:

Standard water connections are 1/2" female, right hand side. Left side water connections are available on request.