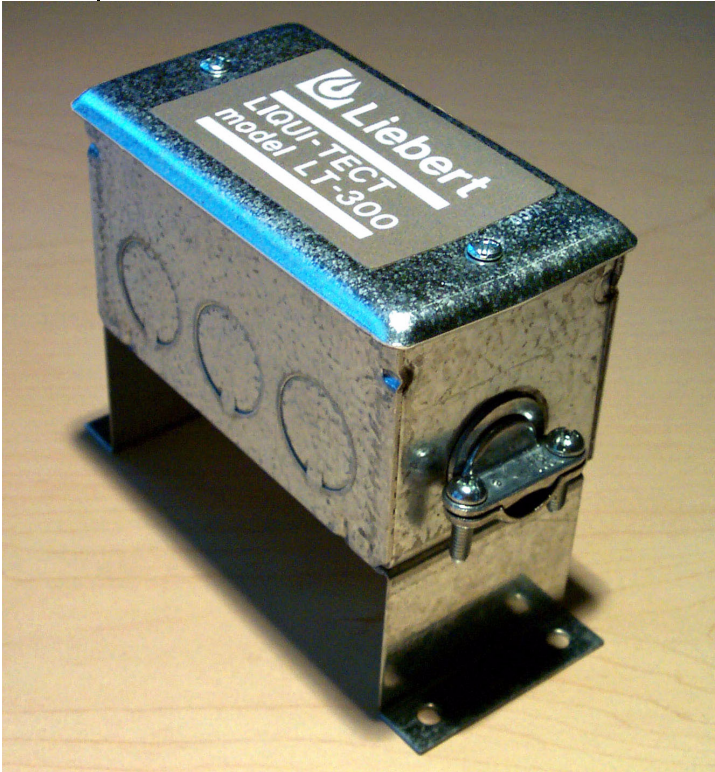


MONITORING

Liqui-TECT[®] 300

INSTALLATION MANUAL



*Point Leak
Detection
Sensor*

TABLE OF CONTENTS

INTRODUCTION 1

EXTERIOR DIMENSIONS AND MOUNTING DETAILS. 1

**PLACEMENT ON SUBFLOOR UNDER COOLING SUPPORT
EQUIPMENT 2**

WIRING TO A LIEBERT ENVIRONMENTAL UNIT 3

TROUBLESHOOTING 4

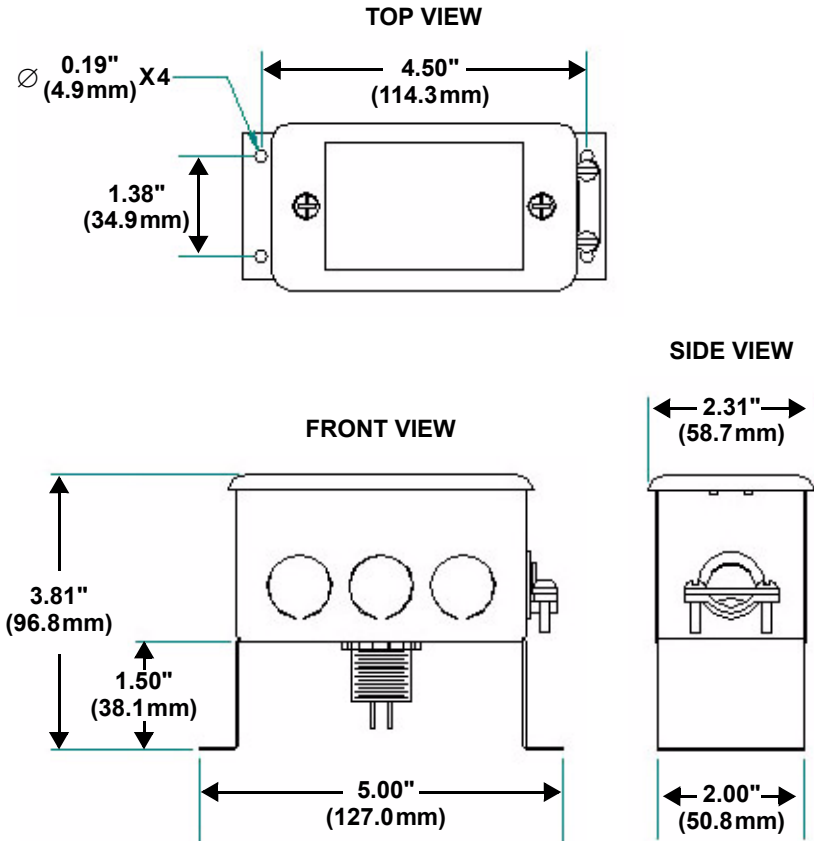
Introduction

Liebert Liqui-TECT® Leak Detection Sensors install quickly and work simply for reliable detection of leaks.

The Liqui-TECT 300 Sensor should be placed at critical points on the floor. Two corrosion-resistant, gold-plated probes sense the presence of aqueous liquids. When a leak is detected, the Liqui-TECT 300 sensor generates an alarm signal at the Liebert environmental unit.

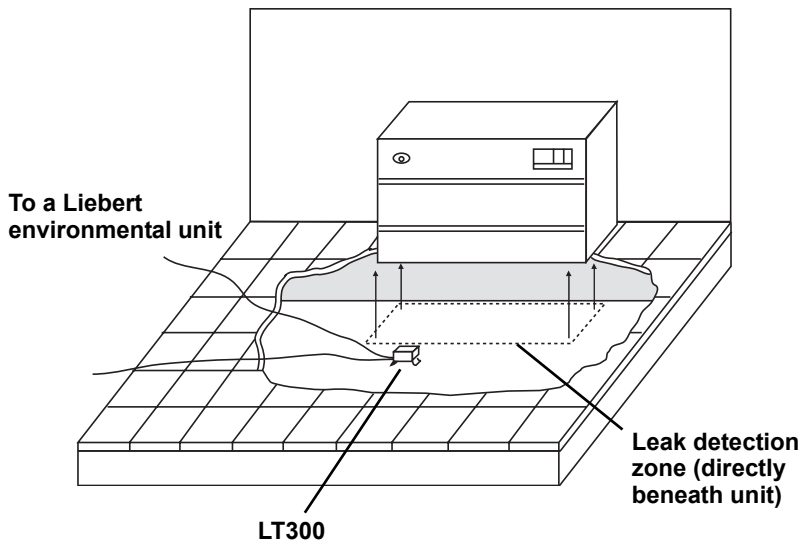
NOTE: This sensor can provide an alarm signal only to a Liebert environmental unit; it should be connected only to a Liebert environmental unit.

Exterior Dimensions and Mounting Details



Shipping weight: 2 lbs (0.9 kg)
Mounting holes: #8 screws

Placement on Subfloor Under Cooling Support Equipment (Other applications such as drip pans and ceiling pipe trays can be monitored)



As shown above, the Liqui-tect 300 (LT300) may be placed on a sub-floor within the **leak detection zone**—the area directly beneath the unit being protected or other areas such as the unit drip pan or ceiling pipe trays.

The LT300 is a two-wire connection to the Liebert environmental unit. A separate 24VAC power supply is not required for this sensor.

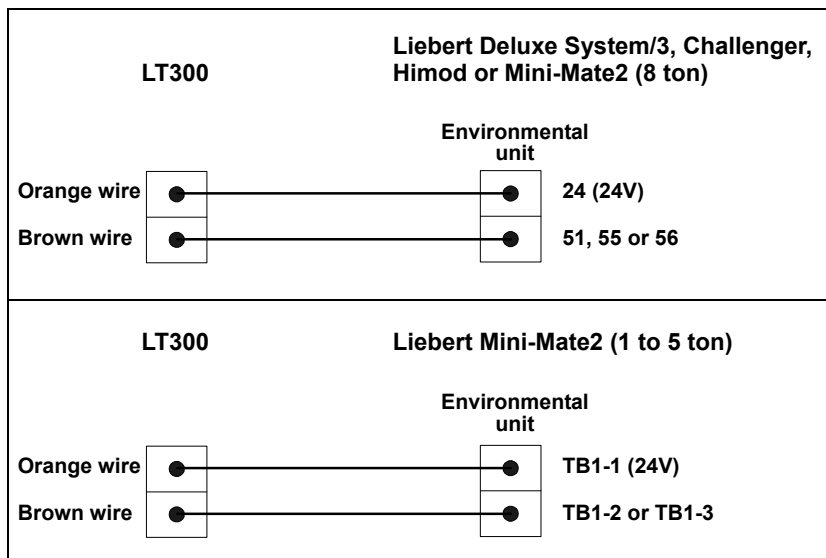
NOTE: For a downflow unit, the LT300 sensor must be located six feet in front of the unit.

Wiring to a Liebert Environmental Unit

The LT300 has two wires for connection to a Liebert environmental unit.

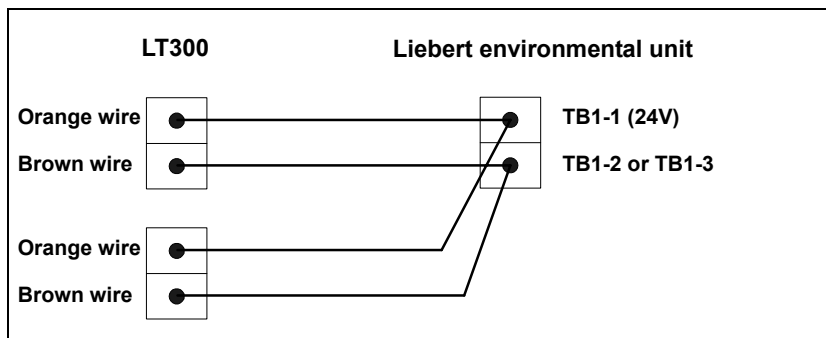
Note: This sensor should be connected only to a Liebert environmental unit.

Figure 1 LT300 to Liebert environmental units



You can wire up to six Liqui-TECT 300 sensors to a single alarm point on a Liebert environmental unit. Sensors should be wired in parallel, as shown in **Figure 2**.

Figure 2 Multiple LT300s to Liebert environmental units



Note: When multiple sensors are wired in this manner, you must disconnect the sensors one at a time when an alarm occurs to determine which sensor is in alarm. The alarm will stop when the sensor causing the alarm is disconnected.

Troubleshooting

Under normal conditions (no leaks), the LT300 probes create an open in-line switch. When a leak is detected (alarm condition), the switch closes.

To determine whether the LT300 is working properly, perform the following test:

1. Provide one lead of a 24VAC source to the LT300 orange wire. Connect one lead of an AC voltmeter to the LT300 brown wire and the second lead of the AC voltmeter to the second lead of the 24VAC source.
2. Read the AC voltmeter to check that there is less than 1VAC. (Some leakage may occur; otherwise, it will be 0VAC.)
 - 0VAC indicates the water-sensing probes create an open switch.
 - 24VAC indicates the water-sensing probes create a closed switch.

If there is 24VAC at this point, the sensor is **not** working properly. For assistance, contact your Liebert representative or the Liebert Technical Support/Service Group.

If there is less than 1VAC, continue to **Step 3**.

3. Connect a jumper between the two sensor probes or place the probes in water to create an alarm condition (closed switch).
4. Read the AC voltmeter to check that there is 24VAC.

If there is 24VAC, the LT300 sensor is working properly.

If there is less than 1VAC, the sensor is **not** working properly.

For assistance, contact your Liebert representative or the Liebert Technical Support/Service Group.

MONITORING

Liqui-TECT® 300

INSTALLATION MANUAL

The Company Behind the Products

With over a million installations around the globe, Liebert is the world leader in computer protection systems. Since its founding in 1965, Liebert has developed a complete range of support and protection systems for sensitive electronics:

- Environmental systems—close-control air conditioning from 1 to 60 tons
- Power conditioning and UPS with power ranges from 300 VA to more than 1000 kVA
- Integrated systems that provide both environmental and power protection in a single, flexible package
- Monitoring and control—from systems of any size or location, on-site or remote
- Service and support through more than 100 service centers around the world and a 24/7 Customer Response Center

While every precaution has been taken to ensure the accuracy and completeness of this literature, Liebert Corporation assumes no responsibility and disclaims all liability for damages resulting from use of this information or for any errors or omissions.

© 2002 Liebert Corporation

All rights reserved throughout the world. Specifications subject to change without notice.

® Liebert and the Liebert logo are registered trademarks of Liebert Corporation. All names referred to are trademarks or registered trademarks of their respective owners.

SL-31047 (10/02) Rev. 0

Technical Support/Service

Web Site

www.liebert.com

Monitoring

800-222-5877

monitoring@liebert.com

Outside the US: 614-841-6755

Single-Phase UPS

800-222-5877

upstech@liebert.com

Outside the US: 614-841-6755

Three-Phase UPS

800-543-2378

powertech@liebert.com

Environmental Systems

800-543-2778

Outside the United States

614-888-0246

Locations

United States

1050 Dearborn Drive

P.O. Box 29186

Columbus, OH 43229

Italy

Via Leonardo Da Vinci 8

Zona Industriale Tognana

35028 Piove Di Sacco (PD)

+39 049 9719 111

Fax: +39 049 5841 257

Asia

23F, Allied Kajima Bldg.

138 Gloucester Road

Wanchai

Hong Kong

+852 2 572 2201

Fax: +852 2 831 0114

