



Reverse Osmosis Filtration System

Safety Instructions
 Safety Instructions2
 Specification Guidelines3

Operating Instructions
 About the RO System4, 5

Installation Instructions
 Tools and Materials Required6
 Before Beginning Installation . . .6, 7
 Mounting System Installation8
 Feed Water Supply9–12
 Faucet Assembly13, 14
 Battery Installation14
 Filtration Drain Connection . .15, 16
 Storage Tank and Startup17

Care and Cleaning
 Prefilter, Postfilter and
 RO Cartridge Replacement18
 Sanitization19
 Water Test Kit20

Troubleshooting Tips21–23

Consumer Support
 Consumer SupportBack Cover
 Parts List/Catalog24, 25
 Warranty26



Tested and Certified by NSF International to NSF/ANSI Standard 58. For the reduction of the claims specified, see the Performance Data Sheet.

Essayé et certifié par NSF International conformément aux normes 58 NSF/ANSI. Pour la réduction des caractéristiques indiquées, consultez la feuille de données de rendement.

Probado y certificado por NSF International por cumplir con el estándar 58. Para la reducción de reclamos especificados, ver la hoja de datos de desempeño.

Write the model and serial numbers here:

Model # _____

Serial # _____

You can find them on the bracket.

**Owner's Manual
and Installation**

- PNRQ20FBL
- PNRQ20FWW
- PNRQ20FBB
- PNRQ20FCC

Osmose Inversée Système de Filtration

**Manuel d'utilisation
et d'installation**

La section française commence à la page 27

Ósmosis Inversa Sistema de Filtración

**Manual del propietario
y instalación**

La sección en español empieza en la página 55



IMPORTANT SAFETY INFORMATION. READ ALL INSTRUCTIONS BEFORE USING.

⚠ WARNING! For your safety, the information in this manual must be followed to minimize the risk of property damage or personal injury.



SAFETY PRECAUTIONS

- Check with your state and local public works department for plumbing and sanitation codes. You must follow these guidelines as you install the Reverse Osmosis system. **Using a qualified installer is recommended.**
- If house water pressure is over the maximum (120 pounds per square inch), install a pressure reducing valve in the water supply line to the Reverse Osmosis system.
- Be sure the water supply conforms with the *Specification Guidelines*. If the water supply conditions are unknown, contact your municipal water company or your local health department for a list of contaminants in your area and a list of laboratories certified by your state to analyze drinking water.
- ⚠ **WARNING:** Before using the Reverse Osmosis system for the first time, the system must be purged. The Reverse Osmosis cartridge contains a food grade preservative that must be purged from the system. The preservative will give product water an unpleasant taste and odor.
- ⚠ **WARNING:** Do not use with water that is microbiologically unsafe or of unknown quality

without adequate disinfection before or after the system. Systems certified for cyst reduction may be used on disinfected water that may contain filterable cysts.

This system has been tested for the treatment of water containing pentavalent arsenic (also known as As(V), As(+5) or arsenate) at concentrations of 0.050 mg/L or less. This system reduces pentavalent arsenic, but may not remove other forms of arsenic. This system is to be used on water supplies containing a detectable free chlorine residual or on water supplies that have been demonstrated to contain only pentavalent arsenic. Treatment with chloramine (combined chlorine) is not sufficient to ensure complete conversion of trivalent arsenic to pentavalent arsenic. Please see the Arsenic Facts section of the Performance Data Sheet for further information.

This reverse osmosis system contains a replaceable component critical to efficiency of the system. Replacement of the reverse osmosis component should be with one of identical specifications, as defined by the manufacturer, to assure the same efficiency and contaminant reduction performance.



PROPER INSTALLATION AND MAINTENANCE

This Reverse Osmosis system must be properly installed and located in accordance with the Installation Instructions before it is used.

- Install or store where it will not be exposed to temperatures below freezing or exposed to any type of weather. Water freezing in the system will damage it. Do not attempt to treat water over 100°F.
- Do not install on **HOT WATER**. The temperature of the water supply to the Reverse Osmosis system must be between the minimum of 40°F and the maximum of 100°F. See the *Specification Guidelines*.
- **Extended non-use of the Reverse Osmosis system.** If the system has not been used for one week or more, open the RO water faucet and allow the system to drain. Close the RO water faucet and allow the system to regenerate the water supply.
- Recommended installation is under the sink. However, the unit can be installed in a remote location, up to 20 feet away from the sink.
 - However, additional materials will be required, including additional tubing and extension phone cable. This extension phone cable must be 6 conductor wire and connectors; typical 4 conductor wire will not work. See parts list to obtain additional materials from GE.
 - Locating the tank on a basement floor, with the faucet at a first floor sink may result in some loss of flow rate and capacity (approximately 20%).

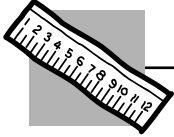
Installing a second tank will improve this performance. An RVKIT can be used.

- If Reverse Osmosis system is connected to a refrigerator icemaker, a special icemaker connection kit is required (RVKIT). Do not use copper tubing for the connection between the Reverse Osmosis system and the refrigerator.
- ⚠ **WARNING:** Discard all unused parts and packaging material after installation. Small parts remaining after the installation could be a choke hazard.
- Sanitize upon installation of the Reverse Osmosis system and after servicing inner parts, including replacement of prefilter, postfilter and Reverse Osmosis cartridge. It is important to have clean hands while handling inner parts of the system. See the *Sanitizing the Reverse Osmosis System* section.
- This Reverse Osmosis system contains a replaceable treatment component critical for effective reduction of total dissolved solids. This product water shall be tested periodically to verify that the system is performing satisfactorily. See the *About the Water Test Kit* section.

BE SURE TO FOLLOW ALL APPLICABLE STATE AND LOCAL CODES.



**READ AND FOLLOW THIS SAFETY INFORMATION CAREFULLY.
SAVE THESE INSTRUCTIONS**

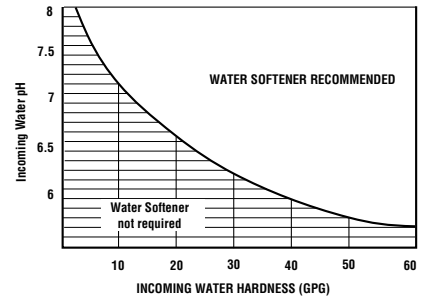


Product – height 11” width 10.5” depth 4”

The system makes a good supply of drinking water each day.
How much it will make depends primarily on these things...

Feed water pressure limits—pounds per square inch (psi)	40–120 ^a
Feed water temperature limits—minimum/maximum degrees F	40–100
Maximum Total Dissolved Solids (TDS)—parts per million (ppm)	2000
Maximum water hardness @ 6.9 pH recommended to optimize membrane life—grains per gallon (gpg)10

For water with hardness greater than 10 grains (at 6.9 pH), the use of a softener is recommended. Failure to install a water softener will reduce the life of the Reverse Osmosis membrane. See chart for additional information on the possible need for a water softener.



Maximum iron, manganese, hydrogen sulfide (ppm)	<.01
Chlorine in water supply	2.0 ppm Maximum Allowable ^b
Feed water pH limits (pH)	4–10
Storage tank capacity—gallons4 ^c
Automatic shutoff controlyes
Prefilter and postfilter(FQROPF) Carbon Block
Reverse Osmosis membrane(FQROMF) Thin Film Polyamide
Storage Tank Dimension (inches)height 15” diameter 11”
System Body Dimension (inches)height 11” width 10.5” depth 4”

- a. If house water pressure is over 120 psi, install a pressure reducing valve in the water supply line. If house water pressure is under 40 psi, install a Reverse Osmosis booster pump (contact your local plumbing supply company).
- b. Removed (maximum of 2.0 ppm) by the Reverse Osmosis prefilter. **REGULAR MAINTENANCE IS REQUIRED.** Chlorine will destroy the Reverse Osmosis membrane.
- c. Theoretical tank capacity. When tested according to NSF/ANSI Standard 58 at 50 psig inlet pressure, tank capacity is 2.3 gallons.

About the reverse osmosis system.

How the Reverse Osmosis System Works

Reverse Osmosis reduces Total Dissolved Solids (TDS) and organic matter from water by diffusing it through a special membrane. The membrane separates minerals and impurities from the water and they are flushed to the drain. For the reduction of the claims specified, see Performance Data Sheet. High quality product water goes directly to the drinking water faucet or to the storage tank. The system makes a good supply of drinking water each day. How much it makes depends on the feed water supply pressure, temperature and quality.

The prefilter and postfilter are replaceable cartridges. The carbon prefilter reduces chlorine while also filtering sediments. The postfilter reduces any other undesirable tastes and odors before you use the water.

These systems include an electronic faucet assembly with a prefilter and postfilter change reminder, Reverse Osmosis membrane change reminder and a status okay reminder.

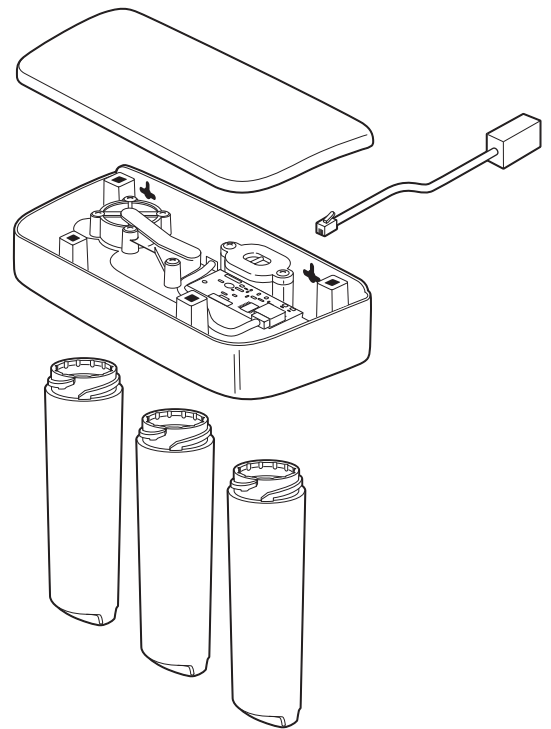
The prefilter and postfilter change reminder will flash amber after six months have passed or 900 gallons have been used. When this occurs, it is time to replace these cartridges and sanitize the system.

The membrane change reminder flashes amber when the TDS monitor in the system has measured the amount of impurities removed is less than 75%. When this occurs, it is time to replace this Reverse Osmosis membrane cartridge and sanitize the system.

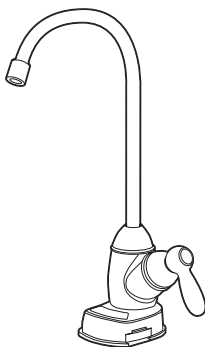
Finally, a green flashing light will indicate the system is functioning properly.

Description of the Reverse Osmosis System

- 1 Prefilter**—Water from the cold supply pipe is directed to the prefilter cartridge. The prefilter is a replaceable sediment cartridge containing activated carbon. The prefilter reduces chlorine in the feed water because *CHLORINE DESTROYS THE REVERSE OSMOSIS MEMBRANE*. Filtered, clean, chlorine-reduced water flows from the prefilter to the Reverse Osmosis cartridge.
- 2 Reverse Osmosis Cartridge**—The middle cartridge includes a tightly wound, special membrane. Water is forced through the cartridge where the membrane reduces the dissolved solids and organic matter. For the reduction of the claims specified, see Performance Data Sheet. High quality product water exits the Reverse Osmosis cartridge and goes to the storage tank. Reject water, with the dissolved solids and organic matter, leaves the cartridge and is discharged to the drain through 1/4" tubing.
- 3 Postfilter**—After leaving the storage area, but before going to the system faucet, product water goes to the postfilter cartridge. The postfilter is also a replaceable sediment cartridge that contains activated carbon. Any remaining tastes, odors or sediments are reduced from product water by the postfilter. Clean, high quality drinking water flows through the tubing and to the system faucet.
- 4 Storage Tank**—The storage area holds up to 2-1/2 gallons of product water. A diaphragm inside the tank keeps water pressurized, when the tank is full, for fast flow to the faucet when drinking water is needed.



- 5 Check Valve**—The check valve prevents a backward flow of product water from the storage tank. A backward flow could cause the Reverse Osmosis membrane to rupture.
- 6 Automatic Shutoff Assembly**—To conserve water, the drinking water system has an automatic shutoff. When the storage tank has filled to capacity and the drinking water faucet is closed, pressure closes the shutoff. Water flow to the Reverse Osmosis housing is shut off until drinking water is used again, and pressure drops in the Reverse Osmosis system.
- 7 Flow Control**—The flow control regulates the flow of water through the Reverse Osmosis cartridge at the required rate to produce high quality water. The control is located in the 1/4" drain line exiting off the manifold.
- 8 Faucet and Electronics**—The countertop faucet dispenses filtered drinking water when opened. It has a hand-operated lever, with variable flow adjustment. You can keep the faucet open by removing your hand from the lever once water is flowing. To comply with plumbing codes, an air gap is built into the faucet drain water connection.



The electronic faucet provides a six month timer and flow monitor to remind you when it is time to replace your prefilter and postfilter. Replace these when the amber filter light flashes. The faucet also provides an amber RO light indicating when the Reverse Osmosis cartridge is no longer filtering out at least 75% of the TDS. Replace this cartridge when this amber light flashes. The green flashing light will indicate the system is functioning properly.

Installation Instructions

Reverse Osmosis Filtration System

Models PNRQ20FBL, PNRQ20FWW,
PNRQ20FBB and PNRQ20FCC

Questions? Call 800.GE.CARES (800.432.2737) or Visit our Website at: ge.com

⚠ WARNING: Read entire manual. Failure to follow all guides and rules could cause personal injury or property damage.

- Check with your state and/or local public works department for plumbing codes. You must follow their guides as you install the Water Filtration system.

NOTE: Failure to comply with these installation instructions will void the product warranty, and the installer will be responsible for any service, repair or damages caused thereby.

TOOLS AND MATERIALS REQUIRED FOR INSTALLATION

- Electric drill and 1-1/4" Drill Bit (type as required) if mounting is needed for faucet
- Two (2) Adjustable Wrenches
- 1/16" Drill Bit (optional for pilot holes)
- Tape Measure
- Phillips and Flat Blade Screwdrivers
- Utility Knife
- If your main water line is a rigid pipe, you will require a compression fitting and possibly other plumbing hardware to complete the installation.

⚠ CAUTION: To avoid damaging the sink, consult a qualified plumber or installer for drilling procedures. Special drill bits may be needed for porcelain or stainless steel.

BEFORE BEGINNING INSTALLATION

Read these instructions completely and carefully.

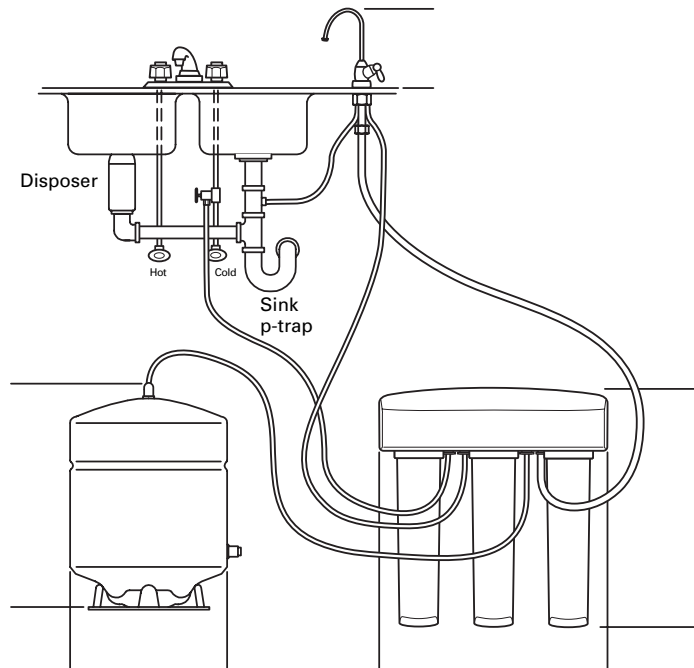
- **IMPORTANT** — Save these instructions for local inspector's use.
- **IMPORTANT** — Observe all governing codes and ordinances.
- **Note to Installer** – Be sure to leave these instructions with the Consumer.
- **Note to Consumer** – Keep these instructions for future reference.
- Proper installation is the responsibility of the installer.
- Product failure due to improper installation is not covered under the Warranty.
- A shutoff valve must be available or added near the installation point.

CONTENTS INCLUDED WITH PRODUCT

- Reverse Osmosis Assembly and Tubing
- Product Literature (Owner's Manual and Installation Instructions)
- Performance Data Sheet
- Feed Water Adapter and Supply Valve
- Faucet Assembly with Electronic Base Monitor and Tubing
- Storage Tank
- Drain Line Adapter

Installation Instructions

Things to Check Before Beginning Installation



FILTRATION DRAIN CONNECTION

A suitable drain point and air gap (**check your state and/or local codes**) are needed for reject water from the Reverse Osmosis membrane cartridge.

RO FAUCET

The RO product water faucet installs on the sink or on the countertop next to the sink. Often, it is installed in an existing sink spray attachment hole or a hole may be drilled. Space is required underneath for tubing to and from the faucet, and for securing the faucet in place. All faucet connections are done on or above the sink or countertop.

FEED WATER

The water supply to the undercounter Reverse Osmosis system must have the qualities listed in the specifications. Municipal water supplies most often will have these qualities. Well water may need conditioning—have the water tested by a water analysis laboratory and get their recommendations for treatment.

⚠ CAUTION: For water with a hardness greater than 10 grains (at 6.9 pH), the use of a softener is recommended. Failure to install a softener will reduce the life of the Reverse Osmosis cartridge.

BASEMENT INSTALLATION

If installing in a basement, leave enough tubing in place during installation to be able to move unit to floor for ease at servicing and making filter/membrane changes. Additional tubing and fittings required.

NOTE: See parts list on page 25 for optional parts that may be required for a basement installation.

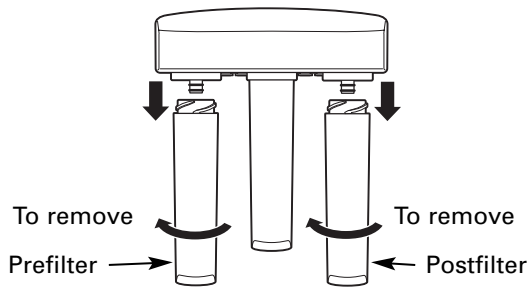
Installation Instructions

REVERSE OSMOSIS ASSEMBLY

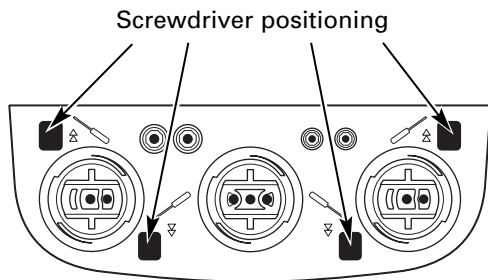
MOUNTING SYSTEM INSTALLATION

Choose a location under the sink to mount the system. Location should be easily accessible, with adequate clearance between the bottom of the filter cartridges and the floor or bottom of the cabinet for removal of filter cartridges. Allow enough space on either side of the system for the tubing connections.

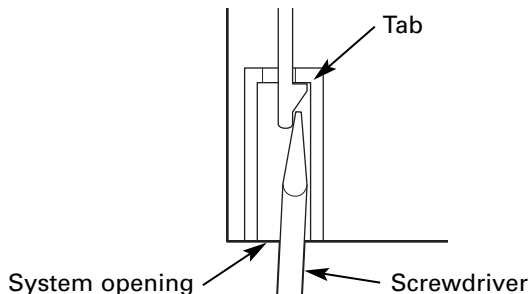
1. Remove the prefilter and postfilter cartridges.



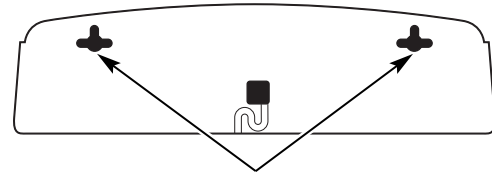
2. Remove the assembly cover by unlocking the four tabs on the cover from the system.
3. Use a flat-head screwdriver to work from left to right from the underside of the system.



4. Use the icons on the bottom of the system for screwdriver positioning.



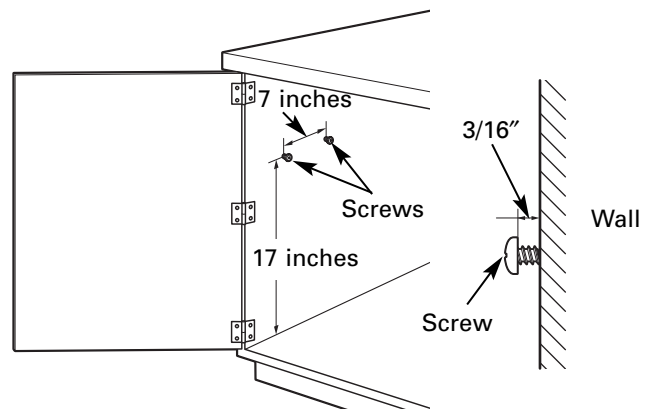
5. Hold the Reverse Osmosis assembly up to the wall surface where you wish to install it. Mark location for screws. There should be a minimum of 17 inches from the marks to the bottom of the cabinet floor.



Screw locations

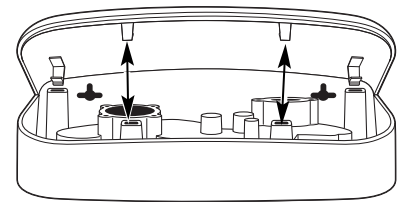
CAUTION: Do not get dirt or debris inside the assembly area. Use only to mark mounting hole locations.

6. Install screws to the wall, leaving a 3/16-inch clearance between the head of the screw and wall (drill pilot holes if needed).

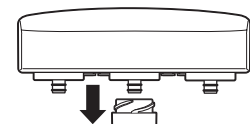


7. Hang the Reverse Osmosis assembly on the screws. Tighten or loosen the screws as desired until the system is secure on the wall.

8. To install the cover, line up the front tabs on the cover with the openings in the system.



9. Snap the cover in place; the tabs will flex, allowing the cover to snap in place.



10. Remove the membrane cartridge.



Installation Instructions

FEED WATER SUPPLY

Check and comply with local plumbing codes as you plan, then install a cold feed water supply fitting.

A. PREFERRED INSTALLATION

Utilizing existing kitchen sink water supply valve (A) and removable faucet tubing (B).

1. Refer to illustration below to complete assembly depending on supply valve size (A).
2. Close the cold water supply valve (A) under the sink.
3. Unscrew the flexible tubing line (B) from the supply valve (A) that connects to the COLD water riser.

NOTE: For rigid pipe, see *C. Optional Installation* on page 10.

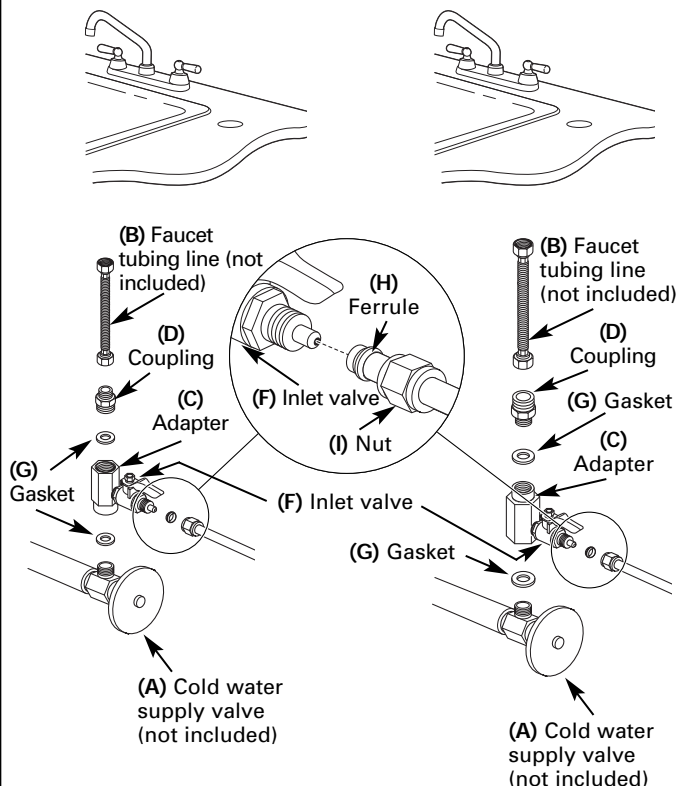
Note Adapter (C) orientation:

3/8-inch installation—Rounded end of adapter (C) connects to supply valve (A).

1/2-inch installation—Rounded end of adapter (C) connects to coupling (D), then to existing faucet tubing (B).

For 3/8" Plumbing

For 1/2" Plumbing



4. Assemble adapter (C) and coupling (D) as shown in illustration at left, per your configuration. Ensure that the gasket (G) is in place before final assembly. Start installation by hand, then finish tightening with adjustable wrench. **Be careful not to overtighten or cross thread as damage to threads may occur.**
5. Hand tighten assembled adapter (C) onto supply valve (A) for the proper size installation. Be sure gasket (G) is in place before final assembly. Start installation by hand, then finish tightening with an adjustable wrench. **Be careful not to overtighten or cross thread as damage to threads may occur.**
6. Reconnect faucet tubing line (B) to top of adapter (C).

NOTE: If inlet valve (F) is to be removed for installation, refer to *E. Removal and Reinstallation of Inlet Valve* on page 11.

7. Cut wire ties on tubing coils, using care not to damage tubes or parts if using a utility knife.
8. Remove the 1/2" nut (I) and ferrule (H) from end of inlet valve. Using the yellow banded tubing provided, place the nut (I) and ferrule (H) onto the tubing and install onto inlet valve (F) as shown at left. Tighten with adjustable wrench. **Be careful not to overtighten or cross thread as damage to threads may occur.**

NOTE: Inspect the ends of the tubing prior to installation to be sure there are no imperfections and that the end of the tubing is cut square. It may be necessary to cut the tubing again.

Installation Instructions

FEED WATER SUPPLY (cont.)

B. OPTIONAL HOME INSTALLATION

Where codes permit (Requires additional parts)

*For 1/2" OD or larger metal tubing only.

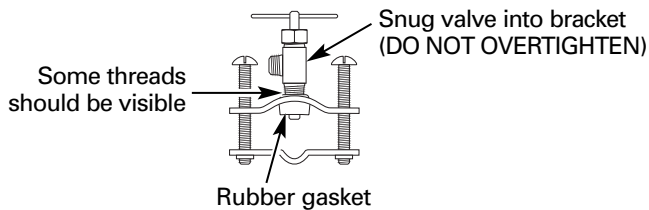
NOTE: Codes in the state of Massachusetts require installation by a licensed plumber and do not permit the use of the saddle valve. For installation, use plumbing code 248-CMR of the Commonwealth of Massachusetts.

Saddle valve is available through GE Parts and Services at 1.800.626.2002, part number WS15X10023. Self piercing saddle valves are not recommended.

1. Turn off the cold water supply and attach saddle valve as required by product selection. (Be sure to follow manufacturers' Installation Instructions).

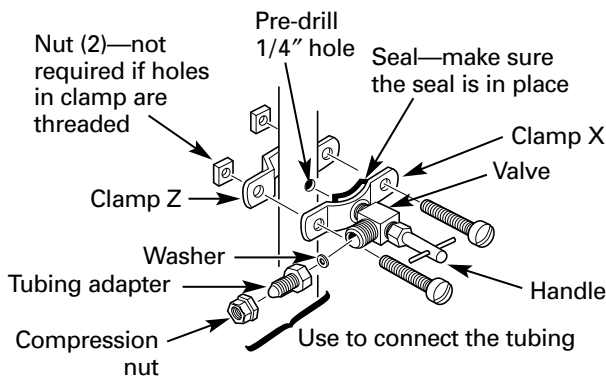
⚠ DANGER: Many homes are electrically grounded through the plumbing. To protect yourself from serious injury or fatal shock, use a battery-powered hand drill only to make the hole. **DO NOT USE AN ELECTRIC DRILL.**

2. Close the water supply valve by turning the handle clockwise.
3. Open the main water supply valve and several house faucets to purge air from the system. Close faucets when water runs smoothly.



Optional water supply connection (using saddle valve)*

*For 1/2" OD or larger metal tubing only.



C. OPTIONAL RIGID PIPE INSTALLATION

For installation with rigid pipe between supply valve and sink faucet.

Option 1

1. Remove pipe from supply valve and sink faucet.
2. Obtain flexible pipe sized to your plumbing.
3. Install flexible pipe.
4. GO back to A. *Preferred Installation* section, step 4.

Option 2

1. Obtain compression fittings to fit rigid pipe.
2. Obtain any other fittings required to connect compression fittings to adapter.

NOTE: Adapter has 1/2-inch and 3/8-inch internal and external threads.

3. Remove pipe from supply valve.
4. Cut pipe to fit length of assembled fittings and adapter.
5. Install compression fitting to pipe.
6. GO back to A. *Preferred Installation* section, step 4.

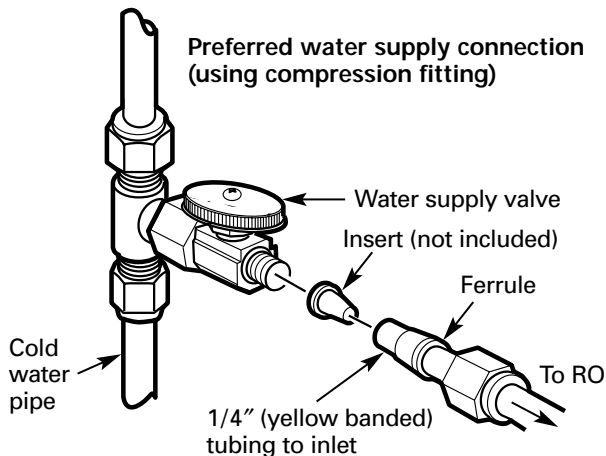
NOTE: Above described materials are not included with the product.

Installation Instructions

D. OPTIONAL REMOTE LOCATION INSTALLATION

(requires additional part)

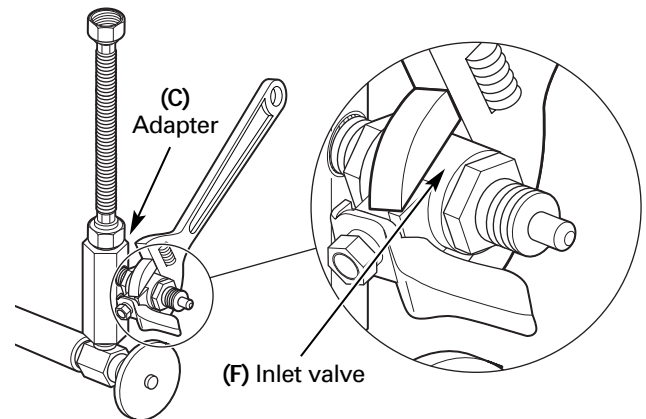
1. Turn off the cold water supply.
2. Complying with plumbing codes, install a fitting on the cold water pipe to adapt 1/4" OD tubing. A typical connection is shown in illustration below. Make sure a water supply valve is used.
3. If the RO unit is to be installed more than 6 feet from the valve, replace the yellow banded inlet tubing with a longer length of GE 1/4" tubing. A 33 foot length of 1/4" tubing is available through GE Parts and Services at 1.800.626.2002, part number WS07X10018. **DO NOT SUBSTITUTE TUBING OF UNKNOWN QUALITY.**
4. If the RO unit is to be installed more than 6 feet from the faucet, replace the blue banded outlet tubing with a longer length of GE 3/8" tubing. A 33 foot length is available through GE Parts and Services at 1.800.626.2002, part number WS07X10019. See Faucet Installation on page 13 for more details. **DO NOT SUBSTITUTE TUBING OF UNKNOWN QUALITY.**



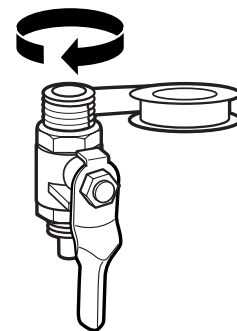
If you are using copper tubing, **DO NOT** connect it directly onto the RO unit. Purchase a connector and use a short length of the yellow banded tubing provided to make final connection to RO. Do not use copper tubing to attach to icemaker or faucet.

E. REMOVAL AND RE-INSTALLATION OF INLET VALVE (required only if inlet valve needs to be removed to complete Step 5 on page 13)

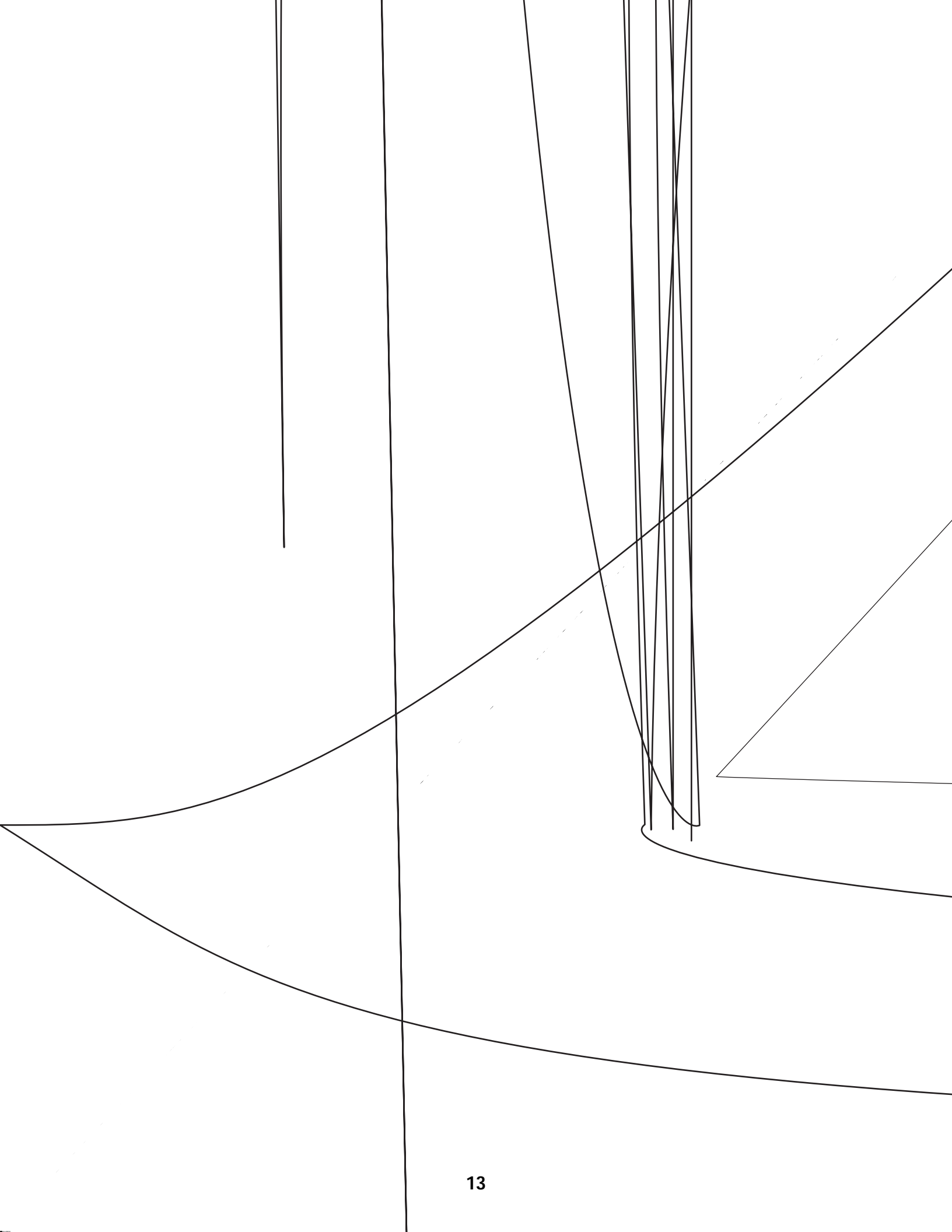
1. Remove inlet valve (F) from adapter (C) using adjustable wrench on valve body. See illustration below for detail. **DO NOT USE WRENCH ON HEX NUT END OF VALVE AS LEAK MAY OCCUR.**



2. Remove all sealing tape from inlet valve (F) and adapter (C) threads.
3. Hand tighten assembled adapter (C) onto supply valve (A) for the proper size installation. Be sure the gaskets (G), as shown on page 13, are in place before final assembly. Finish tightening with adjustable wrench. **Be careful not to overtighten or cross thread as damage to threads may occur.**
4. Using white thread sealing tape provided, apply approximately 9 wraps of tape around the large threads on inlet valve (F) in a clockwise direction, as shown below.



5. Hand tighten inlet valve (F) into the adapter (C), then finish tightening with adjustable wrench. **DO NOT USE WRENCH ON HEX NUT END OF VALVE AS LEAK MAY OCCUR.**



Installation Instructions

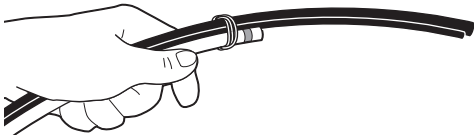
FAUCET ASSEMBLY (cont.)

OPTIONAL ONE PERSON FAUCET TUBING INSTALLATION

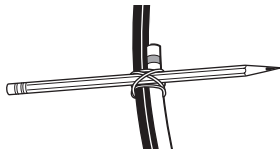
1. From under the sink, gather the 1/4" drain line (black), 3/8" drain line (black) and 3/8" outlet tube (blue banded) in one hand with the drain tubes the same length and the outlet tube offset approximately 6 inches.



2. Wrap a rubber band around all 3 tubes.



3. Insert a typical No. 2 pencil through the rubber band location.



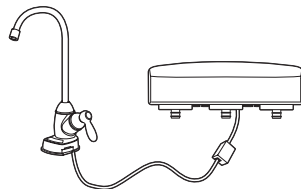
4. Rotate the pencil down until it is in line with the tubing and push up through the mounting hole. Release the grip on the pencil and the tubes will remain in position for easier faucet connection.



POWER CORD INSTALLATION

Connect power cord from faucet to union outlet from the Reverse Osmosis Assembly.

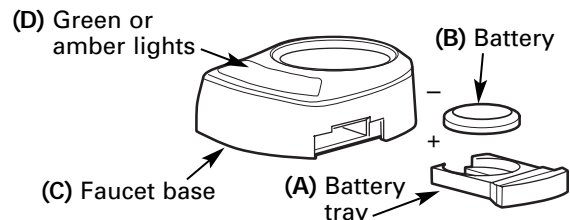
NOTE: If extension cord is required for a remote location, this extension phone cable must be 6 conductor wire and connectors; typical 4 conductor will not work.



BATTERY INSTALLATION

1. Use a small flat blade screwdriver or coin to remove the battery tray (A) at the side of the faucet base.
2. Install one CR2032, 3 volt battery (B) positive "+" side down into the battery tray (A).
3. Slide tray into faucet base (C) until the battery tray (A) edge is flush with the side of the base.
4. Each light will illuminate in sequence twice. At the end, the OK (green) light or filter (yellow) light may stay on for a few extra seconds. If you want to reinitiate the start-up sequence, remove the battery for 90 seconds; the electronics need to fully discharge. Then put the battery back in.
5. The OK (green) light will normally flash one time per second when dispensing water. The filter or RO (amber) lights will flash one time per second when dispensing water if the system needs service. If the system needs service, they will also flash randomly when the system is not in use.

For lights to change between OK and RO, the system must detect a change in the filtering process for 25 consecutive seconds. For example, if the system was not filtering correctly, the RO light would be flashing. When the problem is corrected and the system is filtering correctly, the electronics will wait for 25 seconds to confirm the changes before changing to an OK light.



FOR FILTER CHANGE: Replace battery when changing filter. Remove used battery and wait at least 90 seconds before installing new battery. This will ensure full electronic reset and proper operation for the next 6 months.

Installation Instructions

FILTRATION DRAIN CONNECTION

Check and comply with local plumbing codes as you plan.

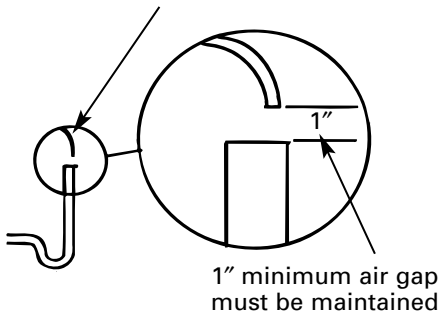
⚠ CAUTION: The options detailed below are the ONLY approved installation configurations. Do not use any drain saddle device.

NOTE: Failure to follow these Installation Instructions will void the warranty, and the installer will be responsible for any service, repair or damages caused thereby.

PREFERRED INSTALLATION: OPTION A—BASEMENT ACCESS INSTALLATION

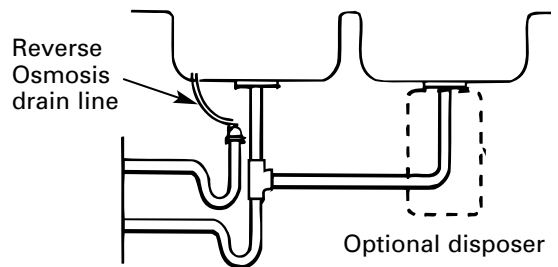
Route the drain line DIRECTLY from the Reverse Osmosis system to a standpipe in the basement, bypassing the air gap provided in the faucet. The air gap installation is left to the discretion of the installer. The drain line may also be routed to a floor drain or washtub, provided that the air gap is maintained. Special air gap fittings are available to connect the drain line to the top of the standpipe.

Drain line from the Reverse Osmosis system



PREFERRED INSTALLATION: OPTION B—DRY-VENTED P-TRAP INSTALLATION

Install a separate dry-vented p-trap under the sink to be used exclusively for the Reverse Osmosis drain line. A dry-vented p-trap is a p-trap that has its own vent/stack. Attach the drain line adapter to the p-trap and secure it with the slip joint nut and washer as shown. The drain line MUST be routed through the air gap provided in the RO water faucet.

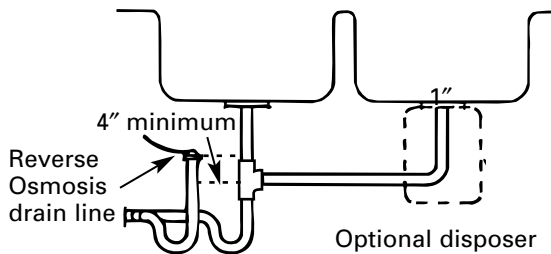


Installation Instructions

FILTRATION DRAIN CONNECTION (cont.)

PREFERRED INSTALLATION: OPTION C—WET-VENTED P-TRAP INSTALLATION

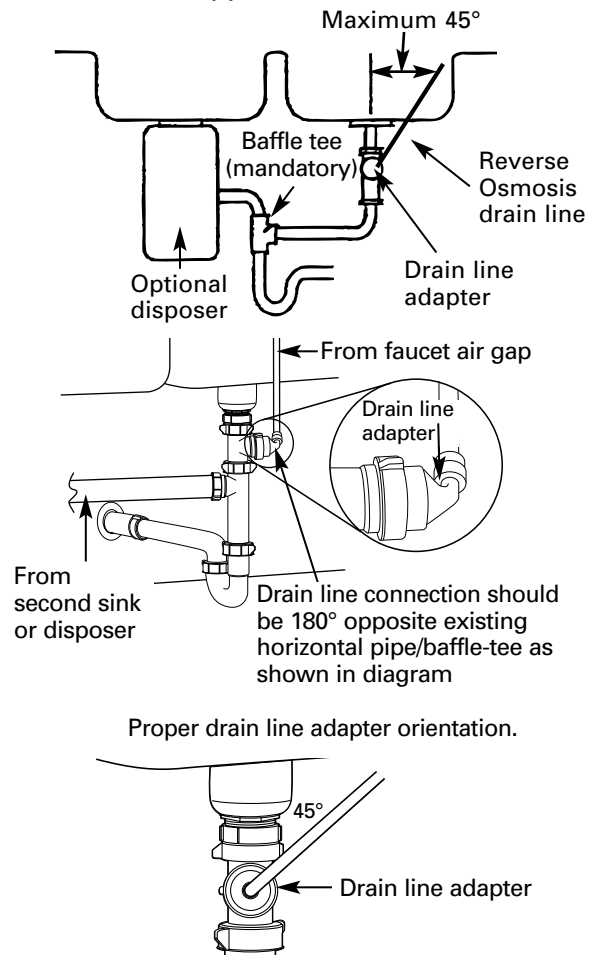
Install a p-trap under the sink to be used exclusively for the Reverse Osmosis drain line. A wet-vented p-trap is a p-trap that shares a common vent/stack. Attach the drain line adapter to the p-trap and secure it with the slip joint nut and washer as shown. The drain line **MUST** be routed through the air gap provided in the RO water faucet. Locate the Reverse Osmosis p-trap as high as possible (minimum of 4" above horizontal).



SECONDARY INSTALLATION: OPTION D—DRAIN LINE ADAPTER INSTALLATION

⚠ CAUTION: Using Option D may result in clogging under adverse conditions and requires periodic inspection/cleaning by the user.

DO NOT INSTALL THE DRAIN LINE DOWNSTREAM OF A DISPOSER OR IN A HORIZONTAL PIPE. Install the drain line adapter under the sink as shown (parts included). The baffle tee shown must be installed to prevent a clog in the Reverse Osmosis drain line. Route the drain line from the air gap to the drain line adapter, ensuring that there are no dips, loops or low spots in the line. The drain line adapter should be aligned vertically so that the hose connection points upward (the hose connection should never be allowed to drop below 45° from this vertical position). This installation **MAY** result in a slight drain noise in the sink drain when the Reverse Osmosis system is regenerating. If this happens, simply place the sink drain stoppers in the strainer to suppress it.

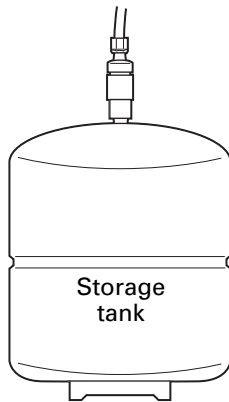
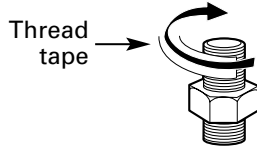


Installation Instructions

STORAGE TANK AND STARTUP

STORAGE TANK INSTALLATION

1. Remove the protective cap from the top of the tank.
2. Apply 2–3 wraps of thread tape, in a clockwise direction, to the tank threads.
3. Install the push-to-connect fittings on the threaded fitting on the tank as shown.



4. Push the 3/8" red banded tubing from the Reverse Osmosis System into the fitting on the storage tank.

SYSTEM STARTUP PROCEDURE

⚠ CAUTION: If installing the unit in new construction, ensure that house plumbing is flushed thoroughly before opening the water supply valve.

1. Check that all tubing connections are secure.
2. Turn on the Feed Water Supply Valve.
3. Check all connection points for leaks.
4. Follow the *Sanitization* procedures on page 19.
5. After sanitization is complete, reinstall prefilter, postfilter and Reverse Osmosis cartridges.
6. Membrane contains a food grade preservative. Allow the system to fill the tank, then drain it completely four times before using the water from the system.
7. Recheck all water connection points a few days later to check for small leaks.

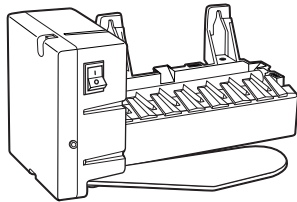
Care and cleaning of the reverse osmosis system.

Prefilter, Postfilter and Reverse Osmosis Membrane Cartridge Replacement Procedure

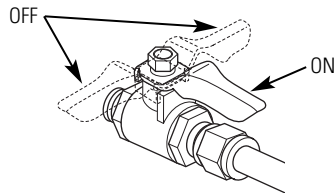
When the amber filter light in the faucet base flashes, it is time to replace the prefilter and postfilter. This will occur every 6 months.

Be sure to wash your hands before handling inner parts of the system.

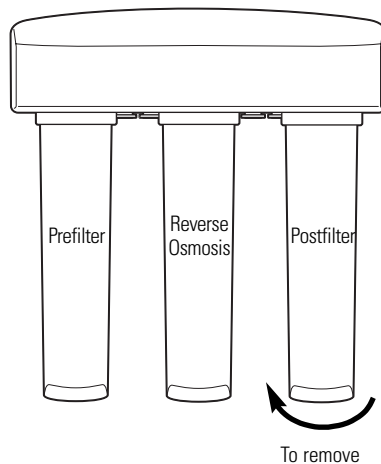
1. Turn OFF the icemaker (if attached to the system).



2. Turn off water supply to the system.



3. Turn ON faucet to drain tank (may take several minutes). Turn OFF faucet when tank is empty.
4. Remove the prefilter, postfilter and Reverse Osmosis cartridge by rotating to the left about 1/3 turn.



5. Follow *Sanitizing the Reverse Osmosis System* procedure found on page 19.

6. Remove foil on top of new replacement cartridges. Install new cartridges into the manifold by turning to the right about 1/3 turn until the alignment marks line up and the cartridges stop. **DO NOT OVERTIGHTEN.** The cartridges will rise up as they are turned.

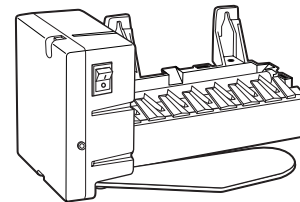
NOTE: The prefilter and postfilter are identical. You may install either filter in the prefilter or postfilter position. The reverse osmosis cartridge is installed in the center position.

7. Turn ON water supply to fill the system (may take up to four hours). Check for leaks.
8. Remove the battery tray and replace the battery, positive "+" side down, to reset timer and monitor function in faucet base (see *Battery Installation* for proper procedure).

NOTE: Allow at least 90 seconds to elapse before installing new battery. This will ensure a full electronic reset and proper operation for the next 6 months.

9. If only the prefilter and postfilter are replaced, turn the faucet ON and empty the filled storage tank. If the membrane cartridge is replaced, fill and empty the storage tank a total of four times. (This will remove the food grade preservatives contained in new membranes. This preservative will give product water an unpleasant taste and odor.)

10. Once the storage tank is full, turn on the icemaker.



NOTE: System should be sanitized when replacing the prefilter and postfilter cartridge or the Reverse Osmosis cartridge. Follow the *Sanitizing the Reverse Osmosis System* procedure on page 19.

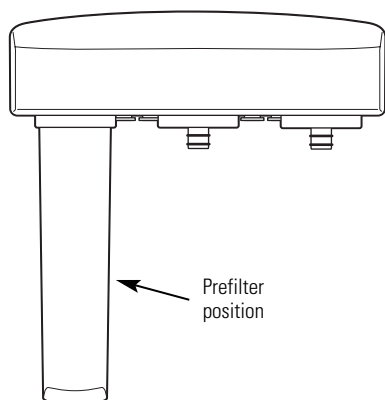
Sanitizing the Reverse Osmosis System

Sanitize upon installation of the Reverse Osmosis system and after servicing inner parts, including replacement of prefilter, postfilter and the membrane cartridge.

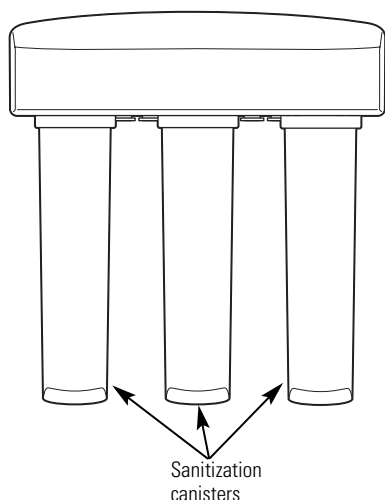
Be sure to wash your hands before handling inner parts of the system.

⚠ CAUTION: Before sanitizing, be sure to remove all cartridges. Chlorine will destroy the Reverse Osmosis membrane cartridge.

1. Follow steps 1 through 4 under *Prefilter, Postfilter and Reverse Osmosis Membrane Cartridge Replacement Procedure*.
2. Fill the empty canister labeled “Sanitization Canister” with water to within 1 inch of the upper opening. Add 1 oz. (2 Tbsp.) ordinary household bleach. Install canister into the prefilter canister position by turning to the right about 1/3 turn until the alignment marks line up and the canister stops.



3. Install the two additional “sanitization canisters” into the membrane canister and postfilter openings in the manifold by turning to the right about 1/3 turn until the alignment marks line up and the canister stops.



4. Turn ON water supply. Turn ON faucet until water begins to flow from the faucet, then turn faucet OFF. Allow system to fill for 10 minutes.
5. Turn faucet ON and allow water to flow for 20 minutes, or until bleach odor is gone. Turn OFF water supply again. Turn ON faucet to drain the system.
6. Once the system is drained, turn the faucet OFF and remove the canisters by turning to the left about 1/3 turn. Keep these in a safe place until needed the next time.

Care and cleaning of the reverse osmosis system.

To obtain replacement filters, call toll-free GE Appliance Parts at 800.626.2002 (U.S.), 800.663.6060 (Canada–English), 800.361.3869 (Canada–French), or visit the store where you purchased your reverse osmosis system.

<i>Prefilter/Postfilter Cartridge Replacement FQROPF</i>	<i>Carbon Block</i>
<i>Reverse Osmosis Cartridge Replacement FQROMF</i>	<i>Thin Film Polyamide</i>

⚠ CAUTION: Before servicing the Reverse Osmosis system, close the water supply/saddle valve and open the RO water faucet. Allow the system to drain.

The Water Test Kit

To obtain an independent laboratory water test kit, please call Legend Technical Services at 1.800.826.8553 ext. 47 and leave your contact details. They will contact you to find out what water tests you are interested in, and inform you of the cost of the testing. You will then receive a kit that will include all necessary tests to properly indicate the performance level of your system. Product water should be tested a minimum of every six months.

NOTE: When the TDS reduction of the system falls below 75%, it is time to replace the reverse osmosis cartridge in addition to the prefilter and postfilter.



Troubleshooting Tips
 Save time and money! Review the charts on the following pages first and you may not need to call for service.

Problem	Possible Causes	What To Do
Water has air bubbles and is cloudy	Air in system after installation.	<ul style="list-style-type: none"> • Will go away after it runs for a while.
Amber "FILTER" light on the faucet base is flashing	Six months or 900 gallons of product water usage has occurred. This is the maximum life of the prefilter and postfilter.	<ul style="list-style-type: none"> • Replace the prefilter, postfilter and battery in the faucet base.
Amber "RO" light flashing. NOTE: Disregard initial or occasional short periods of this flashing light	Low usage of Reverse Osmosis product water.	<ul style="list-style-type: none"> • Open the RO water faucet and allow system to drain. Close the RO water faucet and allow the system to regenerate the water supply.
	The Reverse Osmosis cartridge is no longer removing the required amount of Total Dissolved Solids.	<ul style="list-style-type: none"> • Replace the Reverse Osmosis cartridge and flow control.
	Water supply to the Reverse Osmosis system not within specifications.	<ul style="list-style-type: none"> • Increase water pressure, precondition the water, etc., as needed to conform before doing maintenance on the Reverse Osmosis system.
	It takes 25 seconds or light flashes for RO light to switch to OK light with good filtered water.	<ul style="list-style-type: none"> • Normal operation. See description of operation on page 14.
Indicator lights on faucet base not working	Faucet base leadwire not connected to the electronics board lead wire.	<ul style="list-style-type: none"> • Connect.
	Battery installed incorrectly or expended.	<ul style="list-style-type: none"> • Observe orientation markings on page 14 and install correctly. Replace battery if old.
	Leadwires damaged.	<ul style="list-style-type: none"> • Inspect and repair as needed.
	Battery is dead.	<ul style="list-style-type: none"> • Use new CR2032, 3-volt battery.
Amber "FILTER" light ON after filter and battery replacement	Electronics not fully reset when battery was replaced.	<ul style="list-style-type: none"> • Remove battery for 90 seconds, then reinstall.

Before you call for service...



Troubleshooting Tips

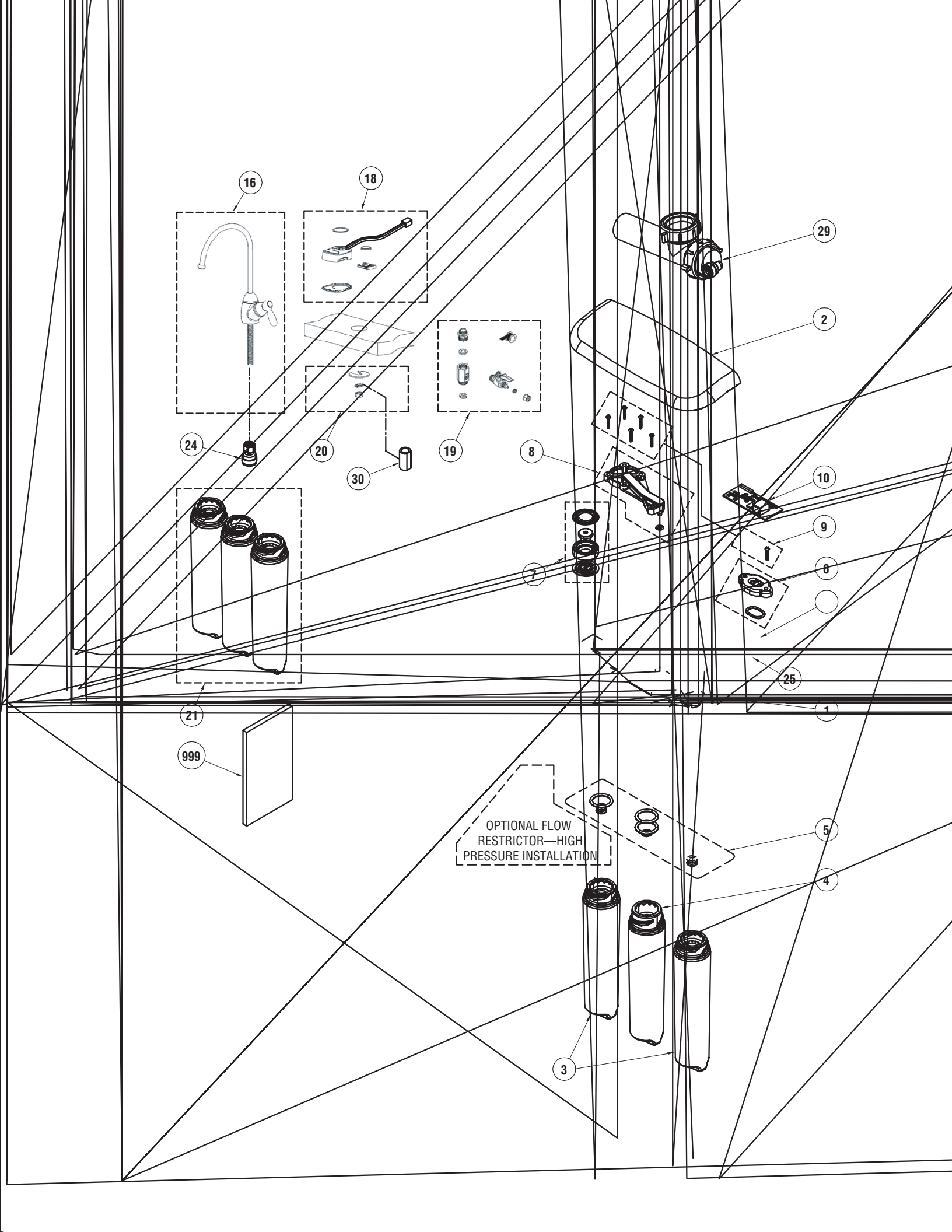
Problem	Possible Causes	What To Do
Chlorine taste and/or odor in the Reverse Osmosis product water	The ppm of chlorine in your water supply exceeds maximum limits and has destroyed the Reverse Osmosis membrane.	<ul style="list-style-type: none"> • If the water supply contains more than 2.0 ppm of chlorine, additional filtering of the water supply to the Reverse Osmosis is needed. Correct this condition before doing maintenance on the Reverse Osmosis system.
	The prefilter is no longer removing chlorine from the water supply.	<ul style="list-style-type: none"> • Replace the Reverse Osmosis membrane cartridge, flow control, screen, prefilter, postfilter and battery in the faucet base.
Other taste and/or odor	High quality product water may have a different taste than what you're used to.	<ul style="list-style-type: none"> • This is normal.
	Low water usage.	<ul style="list-style-type: none"> • Completely drain system and allow to refill.
	Contamination in product water storage.	<ul style="list-style-type: none"> • Use sanitizing procedures.
	Prefilter and postfilter need to be changed.	<ul style="list-style-type: none"> • Replace the prefilter and postfilter. • Sanitize system.
Water leaking from faucet air gap hole	Drain side of faucet air gap (3/8" tubing) plugged, restricted or incorrectly connected to the drain.	<ul style="list-style-type: none"> • Inspect and eliminate restriction or plug. It is important that there are no dips, loops or low spots in the drain line from the faucet air gap to the drain pipe. Refer to Installation Instructions for proper drain connection. If drain line adapter was used as the drain point, periodic inspection/cleaning is recommended.
System makes product water slowly	This is normal.	<ul style="list-style-type: none"> • Water flow rate will be lower than your regular faucet. • It takes 3–4 hours to fill the tank.
	Water supply to the Reverse Osmosis system not within specifications.	<ul style="list-style-type: none"> • Increase water pressure, precondition the water, etc., as needed to conform before doing maintenance on the Reverse Osmosis system.
	Prefilter cartridge plugged with sediments.	<ul style="list-style-type: none"> • Replace the prefilter. If rate does not increase, replace the postfilter.
	Reverse Osmosis membrane plugged with sediments.	<ul style="list-style-type: none"> • Replace Reverse Osmosis membrane cartridge, flow control and battery in the faucet base.

Common problems associated with filter or RO cartridge replacement.



Troubleshooting Tips

Problem	Possible Causes	What To Do
No Water	Water supply valve not turned on.	<ul style="list-style-type: none"> • Turn water supply valve on. See diagram on page 11.
	After filter change, tank is empty.	<ul style="list-style-type: none"> • It takes 3–4 hours for RO system to provide enough water to fill the tank.
Leaks at fittings	Improperly installed.	<ul style="list-style-type: none"> • Reinstall. See Installation Instructions.
Sounds you may hear	Sink drain, drain water from system.	<ul style="list-style-type: none"> • This is normal. • Drain line can be installed to an alternative drain, such as a basement drain. See pages 15 and 16 for alternative drain configurations.
	Faucet air gap—drain water flowing through the faucet air gap. This may be associated with high pressure water supply, generally 90 psi or greater.	<ul style="list-style-type: none"> • Install a pressure regulator in the house water supply system to reduce the pressure below 90 psi. • An alternative flow restrictor for high pressure installations is available from GE (see item #31 on the parts list, page 25). Contact GE Parts and ask for Flow Restrictor, High Pressure, Part Number WS15X10049.



REF. NO.	GE PART NO.	PART DESCRIPTION	QTY			
			P N R Q 2 0 F B L	P N R Q 2 0 F W W	P N R Q 2 0 F B B	P N R Q 2 0 F C C
0001	WS19X10022	MANIFOLD ASSEMBLY	1	1	1	1
0002	WS19X10018	HOOD	1	1	1	1
0003	FQROPF	PRE AND POSTFILTER SET	1	1	1	1
0004	FQROMF	RO CARTRIDGE	1	1	1	1
0005	WS03X10047	O-RING KIT (4 LG, 6 SM)	1	1	1	1
0006	WS03X10048	FLOW METER CAP & O-RING	1	1	1	1
0007	WS15X10040	SHUT-OFF VALVE ASSEMBLY	1	1	1	1
0008	WS10X10030	SHUT-OFF COVER & CHECK BALL ASSEMBLY	1	1	1	1
0009	WS02X10034	SCREWS, SET OF 7	1	1	1	1
0010	WS06X10005	CIRCUIT BOARD	1	1	1	1
0011	WS32X10021	WATER STORAGE TANK	1	1	1	1
0012	WS60X10009	6 PIN PHONE CORD—25 FT	—	—	—	—
0013	WS60X10010	PHONE CORD CONNECTOR	—	—	—	—
0014	WS07X10018	TUBING, 1/4" DIA. X 33'—WHITE	1	1	1	1
0015	WS07X10019	TUBING, 3/8" DIA. X 33'—WHITE	1	1	1	1
0016	WS15X10042	FAUCET, CHROME, HIGH ARC	1	—	—	—
	WS15X10044	FAUCET, WHITE, HIGH ARC	—	1	—	—
	WS15X10043	FAUCET, BLACK, HIGH ARC	—	—	1	—
	WS15X10047	FAUCET, BISQUE, HIGH ARC	—	—	—	1
0018	WS10X10031	FAUCET BASE, W/WIRE—CHROME	1	—	—	—
	WS10X10033	FAUCET BASE, W/WIRE—WHITE	—	1	—	—
	WS10X10032	FAUCET BASE, W/WIRE—BLACK	—	—	1	—
	WS10X10034	FAUCET BASE, W/WIRE—BISQUE	—	—	—	1
0019	WS18X10009	FEED WATER ADAPTER KIT	1	1	1	1
0020	WS02X10031	WASHER & NUT—FAUCET	1	1	1	1
0021	WS35X10041	SANITIZATION KIT	1	1	1	1
0022	WS15X10041	FLOW RESTRICTOR	1	1	1	1
0023	WS22X10055	TANK CONNECTOR, 3/8" TUBE	1	1	1	1
0024	WS22X10054	FAUCET FITTING, 3/8" TUBE	1	1	1	1
0025	WS19X10019	PHONE CORD JUMPER, 12"	1	1	1	1
0026	WS19X10020	FLOW METER IMPELLER	1	1	1	1
0027	WS22X10052	COLLET, 1/4" (SET OF 2)	1	1	1	1
0028	WS22X10053	COLLET, 3/8" (SET OF 2)	1	1	1	1
0029	WS18X10006	DRAIN LINE ADAPTER	1	1	1	1
0030	WS02X10030	SPACER, FAUCET MOUNT	1	1	1	1
0031	WS15X10049	FLOW RESTRICTOR, HIGH PRESSURE	—	—	—	—
0999	49-50200	OWNER'S MANUAL & INSTALLATION INSTRUCTIONS	1	1	1	1

GE Reverse Osmosis System Warranty.



All warranty service provided by our SmartWater™ Authorized Servicer Network. To schedule service on-line, 24 hours a day, contact us at ge.com, or call toll-free 800.GE.CARES (U.S.), or 866.777.7627 (Canada). Please have serial number and model number available when calling for service.

Staple your receipt here.
Proof of the original purchase date is needed to obtain service under the warranty.

For The Period Of:

GE Will Replace:

One Year

From the date of the original purchase

Any part of the Reverse Osmosis Filtration System which fails due to a defect in materials or workmanship. During this **limited one-year warranty**, GE will also provide, **free of charge**, all labor and related service to replace the defective part.

What GE Will Not Cover:

- Service trips to your home to teach you how to use the product.
- Filter cartridges, membrane cartridges and batteries after 30 days from date of purchase.
- Improper installation, delivery or maintenance.
- Damage to the product caused by accident, fire, floods or acts of God.
- Failure of the product if it is abused, misused, used for other than the intended purpose or used commercially.
- Incidental or consequential damage caused by possible defects with this appliance.
- Use of this product where water is microbiologically unsafe or of unknown quality, without adequate disinfection. Systems certified for cyst reduction may be used on disinfected water that may contain filterable cysts.

EXCLUSION OF IMPLIED WARRANTIES—Your sole and exclusive remedy is product repair as provided in this Limited Warranty. Any implied warranties, including the implied warranties of merchantability or fitness for a particular purpose, are limited to one year or the shortest period allowed by law.

This warranty is extended to the original purchaser and any succeeding owner for products purchased for home use within the USA. If the product is located in an area where service by a GE Authorized Servicer is not available, you may be responsible for a trip charge or you may be required to bring the product to an Authorized GE Service location for service. In Alaska, the warranty excludes the cost of shipping or service calls to your home.

Some states do not allow the exclusion or limitation of incidental or consequential damages. This warranty gives you specific legal rights, and you may also have other rights which vary from state to state. To know what your legal rights are, consult your local or state consumer affairs office or your state's Attorney General.

Warrantor: General Electric Company, Louisville, KY 40225

La section Française.

Mesures de sécurité

Mesures de sécurité	28
Guide des spécifications	29

Fonctionnement

Au sujet du système de filtration par osmose inversée	30, 31
---	--------

Instructions d'installation

Alimentation d'eau	35–38
Avant de commencer l'installation	32, 33
Installation de la pile	40
Installation du robinet	39, 40
Installation du système de montage	34
Outils et matériel requis	32
Raccordements à la conduite de vidange	41, 42
Réservoir de stockage et démarrage	43

Entretien et nettoyage

Aseptisation	45
Remplacement des cartouches pré-filtre, post-filtre et osmose inversée	44
Trousse pour le test d'eau	46

Conseils de dépannage 47–49

Soutien au consommateur

Garantie	53
Liste des pièces/catalogue	50, 51
Soutien au consommateur	54

Transcrivez les numéros de modèle et de série ici :

de modèle _____

de série _____

Vous les trouverez sur le support du corps de filtre.

Mesures de sécurité
Fonctionnement
Installation
Conseils de dépannage
Soutien au consommateur

MESURES DE SÉCURITÉ IMPORTANTES. LISEZ D'ABORD TOUTES LES INSTRUCTIONS.

- Vérifiez avec les travaux publics locaux ou de votre état quels sont les codes régissant la plomberie et les aménagements sanitaires. Vous devez vous y conformer lors de l'installation du système de filtration par osmose inversée. **Il est recommandé de faire appel à un installateur qualifié.**
- Si la pression de l'eau arrivant à l'habitation dépasse la valeur maximale de 120 livres/po², montez un détendeur dans la conduite d'arrivée de l'eau au système de filtration.
- Assurez-vous que l'eau est conforme au *Guide des spécifications*. Si les conditions de l'eau ne sont pas connues, contactez votre compagnie municipale de fourniture d'eau ou votre service de santé local pour obtenir une liste des agents de contamination de votre région et une liste des laboratoires homologués par votre état pour l'analyse de l'eau de table.

AVERTISSEMENT : Avant la première utilisation du système de filtration, celui-ci doit être purgé. La cartouche du système de filtration par osmose inversée contient un préservatif pour aliments qui doit être purgé du système. Le préservatif donne à l'eau un goût et une odeur désagréables.

AVERTISSEMENT : N'utilisez pas l'appareil avec de l'eau qui n'est pas sûre microbiologiquement ou de qualité inconnue sans qu'elle n'ait été désinfectée avant de o après que le système. Les appareils homologués pour la réduction des spores peuvent être utilisés pour le filtrage de l'eau qui a été désinfectée pouvant contenir des spores filtrables.

Le système a été testé pour le traitement de l'eau contenant de l'arsenic pentavalent (aussi appelé As(V), As(+5) ou arséniate) à une concentration de 0,050 mg/L ou moins. Le système réduit l'arsenic pentavalent, mais peut ne pas retirer d'autres formes d'arsenic. Le système doit être utilisé dans les alimentations en eau contenant du chlore libre résiduel détectable ou dans les alimentations en eau qui se sont avérées contenir seulement de l'arsenic pentavalent. Le traitement à la chloramine (chlore combiné) n'est pas suffisant pour assurer la conversion complète de l'arsenic trivalent en arsenic pentavalent. Veuillez lire la section Faits sur l'arsenic de la fiche technique de performance pour des renseignements supplémentaires.

Le système d'osmose inversée contient un élément remplaçable essentiel à l'efficacité du système. L'élément d'osmose inversée ne peut être remplacé que par un élément ayant les mêmes caractéristiques, telles que définies par le fabricant, pour assurer la même efficacité et le même rendement en matière de réduction des contaminants.

- Installez l'appareil ou entreposez-le de telle façon qu'il ne soit pas exposé à des températures inférieures au point de congélation ou non à l'abri de tout type de conditions météorologique. Il sera endommagé par l'eau qui se congèle. N'essayez pas de traiter de l'eau dont la température est supérieure à 100 degrés F.
- Ne branchez pas l'appareil sur une **CONDUITE D'EAU BOUILLANTE**. La température de l'eau arrivant au système doit se trouver entre 40°F au minimum et 100°F au maximum. Voyez le *Guide des spécifications*. ■



VEUILLEZ LIRE ET SUIVRE ATTENTIVEMENT
CES MESURES DE SÉCURITÉ.

CONSERVEZ CES INSTRUCTIONS

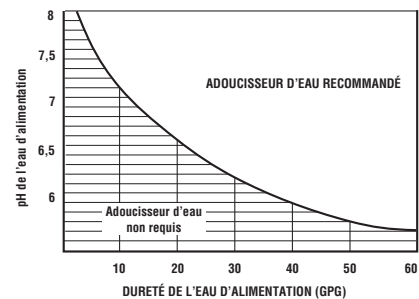


**Produit – hauteur 11 po (28 cm) largeur 10,5 po (26,7 cm)
profondeur 4 po (10 cm)**

Le système prépare chaque jour une bonne quantité d'eau potable.
Cette quantité dépend principalement des facteurs suivants...

- Limites de pression de l'eau d'alimentation—livres par pouce carré (psi)**40–120^a
- Limites de température de l'eau d'alimentation—minimum/maximum en degrés F**40–100
- Maximum de solides dissous totaux (TDS)—parts par million (ppm)**2000
- Maximum de dureté d'eau @ pH 6,9 recommandé pour optimiser
la durée de vie de la membrane—grains par gallon (gpg)**10

Pour une dureté d'eau supérieure à 10 grains (à un pH de 6,9), nous recommandons d'utiliser un adoucisseur. Si vous n'installez pas un adoucisseur d'eau, vous réduirez la durée de vie de la membrane d'osmose inversée. Consultez le tableau pour de plus amples informations sur le besoin possible d'un adoucisseur d'eau.



- Maximum de fer, de manganèse, d'hydrogène sulfuré (ppm)**<0,1
- Chlore dans l'approvisionnement d'eau**2,0 ppm maximum permissible^b
- Limites de pH de l'eau d'alimentation (pH)**4–10
- Capacité du réservoir—gallons (litres)**4 gal (15,1 l)^c
- Contrôle automatique d'arrêt**oui
- Pré-filtre et post-filtre**(FQROPF) bloc de carbone
- Membrane d'osmose inversée**(FOROMF) pellicule fine de polyamide
- Dimensions du réservoir**hauteur 15 po (38 cm) diamètre 11 po (28 cm)
- Dimensions du corps**hauteur 11 po (28 cm) largeur 10,5 po (26,7 cm)
profondeur 4 po (10 cm)

- a. Si la pression d'eau de la maison est supérieure à 120 psi, installez un robinet de réduction de pression sur le tuyau d'approvisionnement d'eau. Si la pression de l'eau de la maison est inférieure à 40 psi, installez une pompe de refoulement d'osmose inversée (appelez votre fournisseur local de produits de plomberie).
- b. Enlevé (maximum de 2,0 ppm) par le filtre d'osmose inversée. **ENTRETIEN RÉGULIER REQUIS.** Le chlore détruira la membrane d'osmose inversée.
- c. _ apacité théorique du réservoir. Quand il est essayé conformément à la norme 58 NSF/ANSI à 50 psig de pression d'approvisionnement d'eau, la capacité du réservoir est égale à 2,3 gallons (8,7 l).

Au sujet du système de filtration par osmose inversée.

Ce que ce système accomplit

Le système de filtration par osmose inversée réduit les matières solides totalement dissoutes (TDS) ainsi que les matières organiques de l'eau par diffusion au travers d'une membrane spéciale. Cette membrane sépare les matières minérales et les impuretés de l'eau, lesquelles sont évacuées dans le tuyau de vidange. Pour la réduction des prétentions indiquées, consultez la feuilles de données de rendement. L'eau de haute qualité produite est acheminée directement au robinet d'alimentation en eau potable ou au réservoir. L'appareil produit une bonne quantité d'eau potable quotidiennement. La quantité d'eau produite est fonction de la pression d'eau d'alimentation, de sa température et de sa qualité.

Les pré-filtre et post-filtre au charbon sont des cartouches remplaçables. Le pré-filtre élimine le chlore et filtre les sédiments. Le post-filtre élimine les goûts et les odeurs indésirables avant l'utilisation de l'eau.

Les systèmes comprennent un ensemble de robinet électronique avec rappel de changement de pré-filtre et de post-filtre, de changement de la membrane d'osmose inversée et un rappel d'état normal.

Le rappel de changement de pré-filtre et de post-filtre consiste en une lumière ambrée clignotante qui apparaît quand six mois ont passé ou quand 900 gallons (3400 l) ont été utilisés. Quand cela se produit, il est temps de remplacer ces cartouches et d'aseptiser le système.

Le rappel de changement de membrane consiste en une lumière ambrée clignotante qui apparaît quand le moniteur de solides totaux dissous du système a mesuré que le montant d'impuretés filtrées est inférieur à 75 %. Quand cela se produit, il est temps de remplacer cette cartouche à membrane d'osmose inversée et d'aseptiser le système.

Finalement, une lumière clignotante verte indique un bon fonctionnement du système.

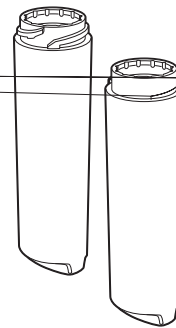
Description du système de filtration par osmose inversée

1 Pré-filtre—L'eau en provenance de la conduite d'eau froide est dirigée dans la cartouche du pré-filtre. Le pré-filtre est une cartouche de récupération des sédiments remplaçable qui contient du charbon actif. Il réduit la quantité de chlore de l'eau, lequel **DÉTRUIT LA MEMBRANE DU SYSTÈME**. L'eau propre, filtrée et à teneur de chlore réduite s'écoule du pré-filtre vers la cartouche du système.

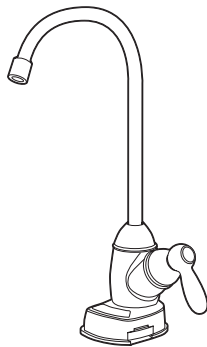
2 Cartouche du système de filtration par osmose inversée—La cartouche du milieu comprend une membrane étroitement sertie. L'eau est forcée au travers de la cartouche où la membrane réduit les matières solides dissoutes et les matières organiques. Pour la réduction des prétentions indiquées, consultez la feuilles de données de rendement. L'eau traitée de haute qualité sort du logement du système et se dirige vers le réservoir. L'eau rejetée contenant les matières solides dissoutes et les déchets organiques quitte le logement puis est déchargée à l'orifice de vidange au passant par la conduite de 1/4 po.

3 Post-filtre—Après avoir quitté le réservoir mais avant d'être acheminée au robinet du système, l'eau produite s'écoule vers le post-filtre se trouvant dans le corps de filtre. Le post-filtre est aussi une cartouche de filtration des sédiments remplaçable contenant du charbon actif. Tout reliquat de goûts, d'odeur ou de sédiments sont éliminés de l'eau par le post-filtre. L'eau potable propre de haute qualité s'écoule par la conduite vers le robinet du système.

4 Réservoir—Le réservoir contient jusqu'à 2,5 gallons (9,5 l) d'eau traitée. À l'intérieur, un diaphragme maintient l'eau sous pression lorsque le réservoir est plein de façon à assurer une débit rapide vers le robinet lorsque l'on désire avoir de l'eau potable.



- 5 Clapet anti-retour**—Le clapet empêche le refoulement de l'eau traitée en provenance du réservoir. Un tel refoulement pourrait entraîner la rupture de la membrane du système.
- 6 Robinet d'arrêt automatique**—Dans le but de conserver l'eau, le système de production d'eau potable comporte un robinet d'arrêt automatique. Lorsque le réservoir est plein et que le robinet d'alimentation en eau potable est fermé, la pression ferme l'appareil. Le débit d'eau vers le logement du système de filtration par osmose inversée est interrompu jusqu'à ce que l'eau potable soit à nouveau utilisée et que la pression chute dans le système.
- 7 Régulation de débit**—Le régulateur de débit contrôle le débit de l'eau au travers de la cartouche du système de filtration pour obtenir la valeur requise nécessaire à la production d'eau de haute qualité. Il est situé sur le tuyau de vidange de 1/4 po sortant du distributeur.
- 8 Robinet et électronique**—Le robinet du comptoir fait couler de l'eau potable filtrée quand on l'ouvre. Il a un levier manuel de réglage de débits variables. Le robinet reste ouvert quand on ôte sa main du levier, dès que l'eau a commencé à couler. Conformément aux codes de plomberie, un écart anti-retour est construit dans le raccord de renvoi du robinet.



Le robinet électronique comporte une minuterie de six mois et un moniteur de débit pour vous rappeler que vous devez remplacer votre pré-filtre et votre post-filtre. Remplacez les filtres quand la lumière ambrée des filtres se met à clignoter. Le robinet comporte également une lumière ambrée d'osmose inversée qui indique que la cartouche d'osmose inversée filtre moins de 75 % des solides totaux dissous. Remplacez cette cartouche quand cette lumière ambrée clignote. La lumière verte clignotante indique un bon fonctionnement du système.

Instructions d'installation

Système de filtration osmose inversée

Modèles PNRQ20FBL, PNRQ20FWW,
PNRQ20FBB et PNRQ20FCC

Si vous avez des questions, appelez le 1.800.361.3400 ou visitez notre site Web à l'adresse :
www.electromenagersge.ca

⚠ AVERTISSEMENT : Lisez en totalité ce manuel. Si vous ne suivez pas toutes ses règles et ses directives, vous pouvez provoquer des blessures corporelles ou des dommages matériels.

- Vérifiez les codes de plomberie auprès des services de travaux publics de votre État/province et/ou de votre collectivité. Vous devez suivre leurs directives pour installer le système de filtration des eaux.

NOTE : Si vous ne vous conformez pas à ces instructions d'installation, vous annulez la garantie du produit, et l'installateur devient responsable de tout service, réparation ou dommage occasionné par le système.

OUTILLAGE ET MATÉRIEL REQUIS POUR L'INSTALLATION

- Perceuse et mèche de perceuse de 1-1/4 po (du type nécessaire) si le montage est requis pour le robinet
- Deux (2) clés réglables
- Mèche de perceuse de 1/16 po (en option pour les trous de guidage)
- Ruban-mètre
- Tournevis normaux et Phillips
- Couteau
- Si votre canalisation principale d'eau est un tuyau rigide, vous avez besoin d'une bague de compression et peut-être d'autres éléments de plomberie pour terminer l'installation.

⚠ ATTENTION : Pour éviter d'endommager l'évier, consultez un plombier ou un installateur qualifié avant de percer les trous. Vous avez peut-être besoin de mèches de perceuse spéciales pour la porcelaine ou l'acier inoxydable.

AVANT DE COMMENCER L'INSTALLATION

Veillez lire toutes les directives attentivement.

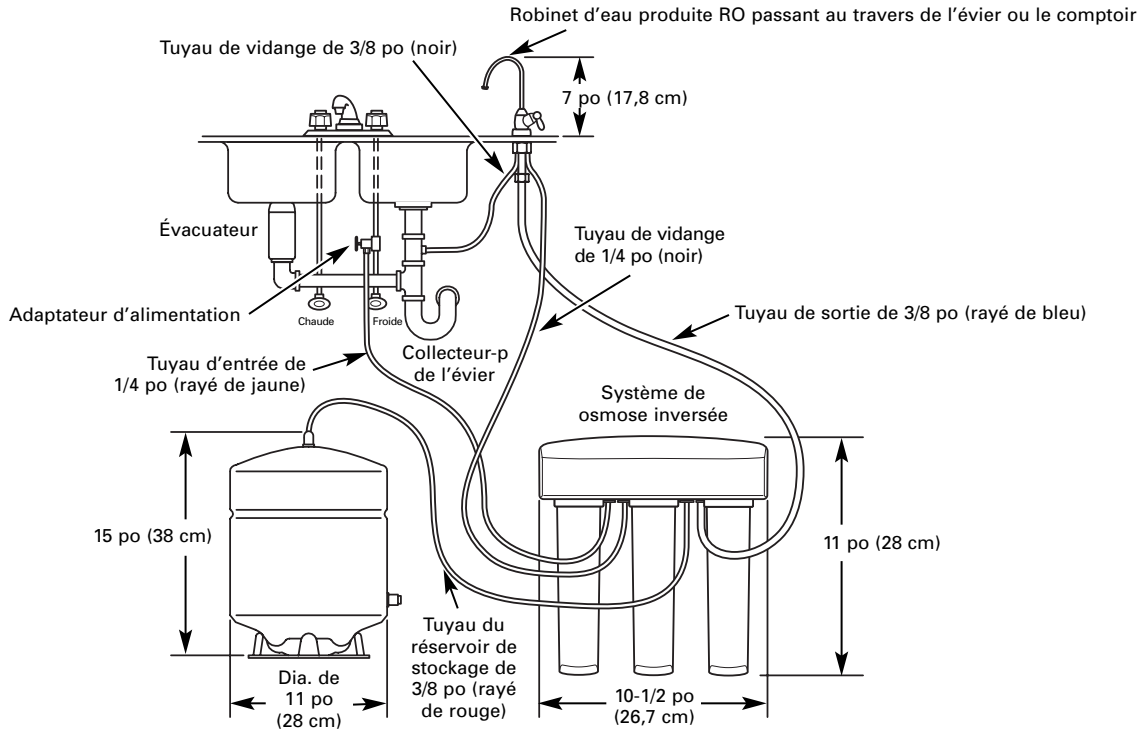
- **IMPORTANT** — Conservez ces instructions pour l'inspecteur local.
- **IMPORTANT** — Respectez toutes les ordonnances et les codes locaux.
- **Avis à l'installateur** – Assurez-vous de laisser ces instructions au consommateur.
- **Avis au consommateur** – Conservez ces instructions pour référence future.
- L'installateur est responsable de bien installer.
- Toute panne du produit due à une mauvaise installation n'est pas couverte par la garantie.
- Un robinet d'arrêt doit être disponible ou ajouté à côté du point d'installation.

LISTE DES COMPOSANTS DE L'APPAREIL

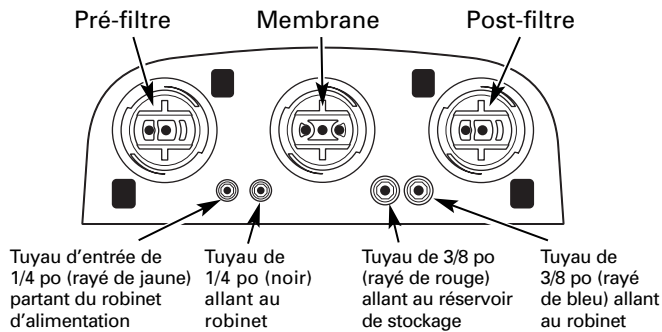
- Ensemble de filtration par osmose inversée et conduite
- Imprimés concernant l'appareil (manuel d'utilisation et d'installation)
- Feuillet de données relatives à la performance
- Adaptateur d'alimentation d'eau et robinet d'alimentation
- Ensemble de robinet avec moniteur électronique de base et tuyau
- Réservoir
- Adaptateur de la conduite de vidange

Instructions d'installation

Points à vérifier avant de commencer l'installation



DÉTAIL DES TUYAUX/DU FILTRE



EAU D'ALIMENTATION

L'eau alimentant le système de filtration par osmose inversée monté sous le comptoir doit présenter des qualités répertoriées dans les spécifications. Dans la plupart des cas, l'eau fournie par les municipalités répond à ces spécifications. L'eau de puits peut requérir un traitement—faites-la tester par un laboratoire d'analyses et suivez leurs recommandations pour traitement.

ATTENTION : Lorsque la dureté de l'eau est supérieure à 10 grains (à un pH de 6,9), il est recommandé d'utiliser un adoucisseur. Si un adoucisseur n'est pas utilisé, la durée de vie de la cartouche du système de filtration sera réduite.

RACCORD DU SYSTÈME DE FILTRAGE À LA VIDANGE

L'eau évacuée provenant de la membrane du système de filtration nécessite un point de vidange approprié et un espace d'air (**vérifiez vos codes locaux**).

ROBINET RO

Le robinet d'eau produite RO est monté sur l'évier ou sur le comptoir à proximité de l'évier. Souvent, il est monté dans l'orifice de l'arrosier existant ou vous pouvez percer un trou. Il est nécessaire de disposer d'un espace suffisant sous l'évier ou le comptoir pour la conduite reliée au robinet ou en provenance de celui-ci et pour le montage du robinet. Tous les raccords de robinet sont effectués sur ou au dessus de l'évier ou du comptoir.

INSTALLATION DANS UN SOUS-SOL

Si l'installation est effectuée dans un sous-sol, ménagez une longueur de conduite suffisante au cours de l'installation afin de faciliter l'entretien et d'assurer le remplacement des filtres/membrane. Conduite et raccords supplémentaires sont nécessaires.

NOTE : Consultez la liste de pièces à la page 51 pour des pièces en option qui peuvent être nécessaires pour une installation au sous-sol.

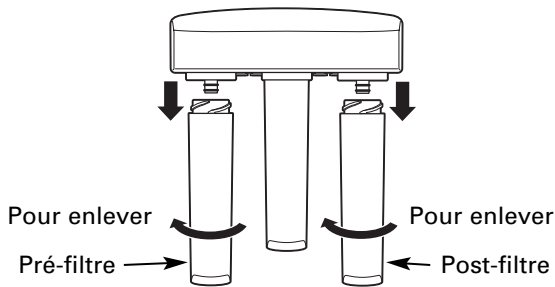
Instructions d'installation

ENSEMBLE D'OSMOSE INVERSÉE

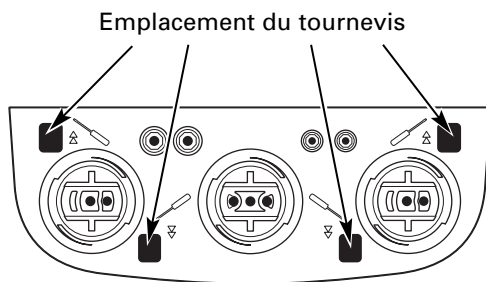
INSTALLATION DU SYSTÈME DE MONTAGE

Choisissez un emplacement sous l'évier pour monter le système. Cet emplacement doit être facilement accessible, avec suffisamment d'espace libre entre le bas des cartouches de filtre et le plancher d'armoire ou le bas de l'armoire pour pouvoir enlever les cartouches de filtre. Laissez suffisamment d'espace de chaque côté du système pour les raccords de tuyaux.

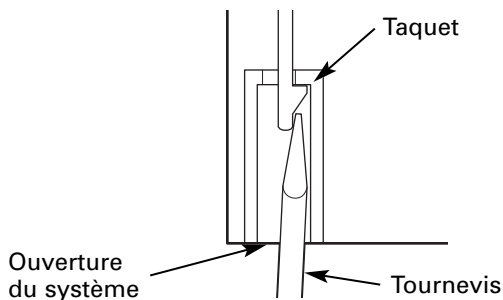
1. Enlevez les cartouches de pré-filtre et de post-filtre.



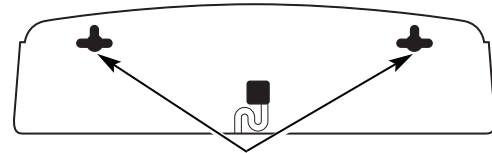
2. Enlevez le couvercle de l'ensemble en déverrouillant les quatre taquets situés sur le couvercle du système.
3. Utilisez un tournevis à tête plate pour aller de gauche à droite à l'envers du système.



4. Utilisez les icônes placées en bas du système pour bien placer votre tournevis.



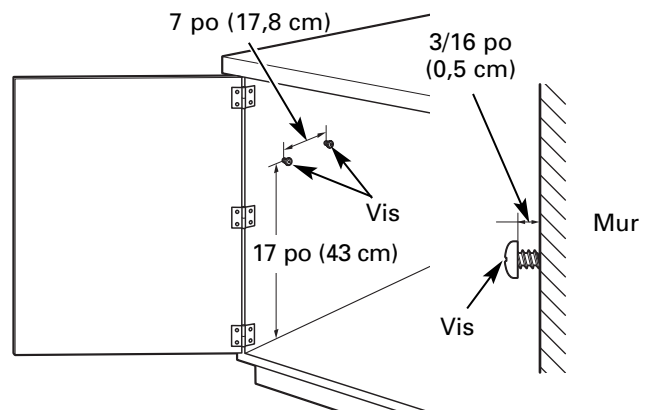
5. Tenez l'ensemble d'osmose inversée vers le haut le long de la surface du mur là où vous voulez l'installer. Marquez l'emplacement des vis. Il devrait y avoir au minimum 17 po (43 cm) de distance entre ces marques et le bas du plancher d'armoire.



Emplacement des vis

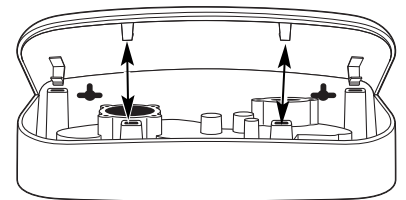
- ATTENTION :** Ne mettez pas de poussière ou de saletés dans l'endroit où vous allez placer l'ensemble. Ne faites que marquer l'emplacement des trous de montage.

6. Vissez les vis dans le mur, en laissant un espace de 3/16 po libre entre la tête de vis et le mur (percez des trous de guidage si nécessaire).



7. Accrochez l'ensemble d'osmose inversée sur les vis. Serrez ou desserrez les vis le cas échéant pour bien accrocher le système au mur.

8. Pour installer le couvercle, alignez les taquets situés à l'avant du couvercle aux ouvertures du système.



9. Faites claquer le couvercle en place; les taquets se replient, en permettant au couvercle de bien tenir en place.



10. Enlevez la cartouche de membrane.



Instructions d'installation

ALIMENTATION D'EAU (suite)

B. INSTALLATION OPTIONNELLE EFFECTUÉE DANS UN DOMICILE

Lorsque les codes l'autorisent (Des pièces supplémentaires sont nécessaires)

***Pour OD de 1/2 po ou tube métallique de plus grandes dimensions.**

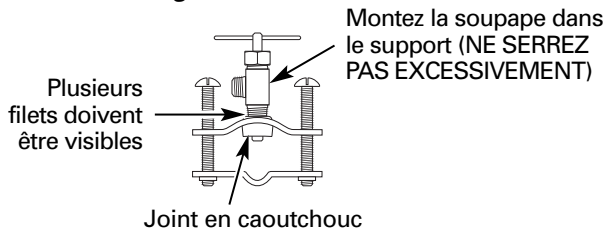
NOTE : Les codes de l'état du Massachusetts exigent que l'installation soit effectuée par un plombier certifié et ne permettent pas l'utilisation de soupapes à étrier. Pour l'installation, utilisez le code 248-CMR du Commonwealth du Massachusetts.

Une soupape à étrier est disponible auprès du service de pièces détachées GE en composant le 1.800.626.2002, numéro de référence WS15X10023. Les soupapes à étrier auto-perçants ne sont pas recommandés.

1. Fermez l'alimentation d'eau froide et montez la soupape à étrier comme l'exige le produit de votre choix. (Assurez-vous de suivre les instructions d'installation du fabricant).

⚠ DANGER : Beaucoup de maisons sont raccordées à la terre par l'intermédiaire de la plomberie. Pour vous mettre à l'abri de blessures graves ou de choc électrique fatal, utilisez une perceuse alimentée par batterie pour faire le trou. **N'UTILISEZ PAS DE PERCEUSE ÉLECTRIQUE.**

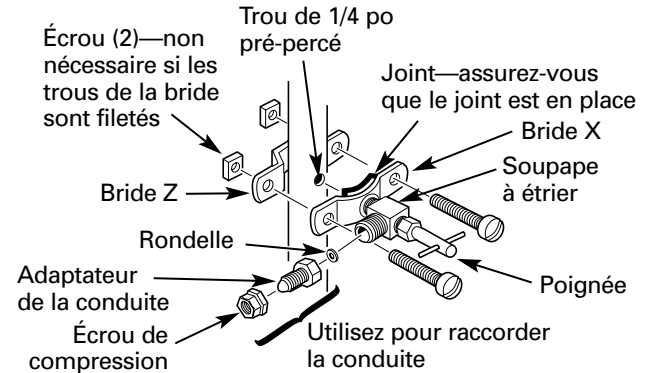
2. Fermez le robinet d'alimentation d'eau en tournant la poignée dans le sens horaire.
3. Ouvrez le robinet principal d'alimentation et plusieurs autres robinets de l'habitation afin de purger l'air du système. Fermez les robinets une fois que l'écoulement d'eau est régulier.



B. INSTALLATION OPTIONNELLE EFFECTUÉE DANS UN DOMICILE (suite)

Raccordement optionnel à la source d'alimentation d'eau (avec utilisation de la soupape à étrier)*

***Pour OD de 1/2 po ou tube métallique de plus grandes dimensions.**



C. INSTALLATION OPTIONNELLE AVEC TUYAU RIGIDE

Pour installer avec un tuyau rigide entre le robinet d'entrée et le robinet de l'évier.

Option 1

1. Enlevez le tuyau du robinet d'alimentation et le robinet de l'évier.
2. Obtenez un tuyau flexible correspondant à la taille de votre plomberie.
3. Installez le tuyau flexible.
4. Retournez à la section A. *Installation préférentielle*, étape 4.

Option 2

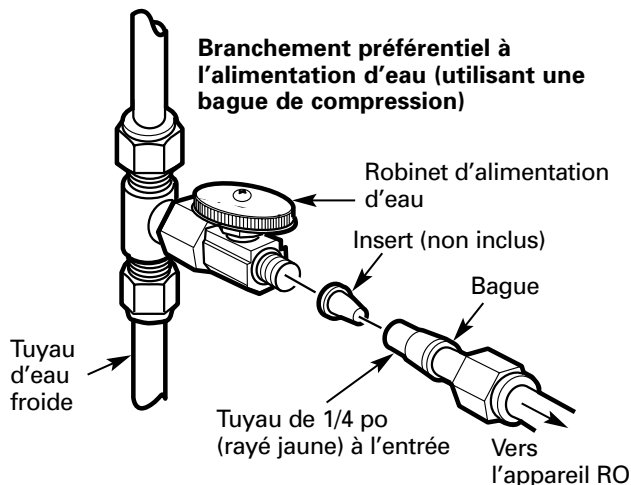
1. Obtenez des bagues de compression qui conviennent au tuyau rigide.
 2. Obtenez toute autre bague nécessaire pour brancher les bagues de compression à l'adaptateur.
- NOTE :** L'adaptateur a un filetage intérieur de 1/2 po et un filetage extérieur de 3/8 po.
3. Enlevez le tuyau du robinet d'alimentation.
 4. Coupez le tuyau afin que sa longueur corresponde à celle des bagues assemblées et à l'adaptateur.
 5. Installez la bague de compression sur le tuyau.
 6. Retournez à la section A. *Installation préférentielle*, étape 4.

NOTE : Les pièces indiquées ci-dessus n'accompagnent pas le produit.

Instructions d'installation

D. INSTALLATION À DISTANCE OPTIONNELLE (des pièces supplémentaires sont nécessaires)

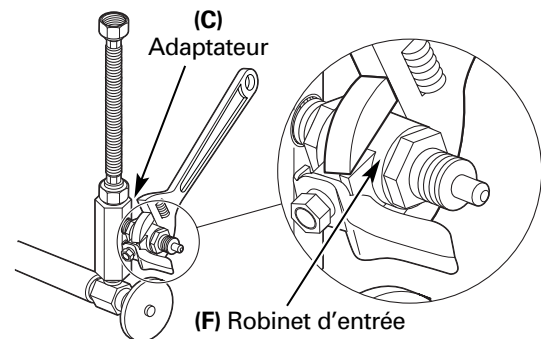
1. Fermez l'alimentation d'eau froide.
2. Installez un raccord sur la conduite d'eau froide pour adaptation à une conduite de diamètre extérieur de 1/4 po, conformément aux codes de plomberie. Une connexion typique est montrée dans l'illustration ci-dessous. Vérifiez qu'un robinet d'alimentation d'eau est utilisé.
3. Si l'équipement de filtration à osmose inversée doit être installé à plus de 1,8 m (6 pi) du robinet, remplacez le tuyau d'entrée (rayé jaune) par une conduite GE de 1/4 po plus long. Une conduite de 1/4 po de 10 m (33 pi) est disponible auprès du service de pièces détachées GE au 1.800.626.2002, numéro de référence WS07X10018. **NE SUBSTITUEZ PAS DE CONDUITE DE QUALITÉ INCONNUE.**
4. Si l'équipement de filtration à osmose inversée doit être installé à plus de 1,8 m (6 pi) du robinet, remplacez le tuyau de sortie (rayé bleu) par une conduite GE de 3/8 po plus long. Une conduite de 10 m (33 pi) est disponible auprès du service de pièces détachées GE au 1.800.626.2002, numéro de référence WS07X10019. Voir Installation du robinet, page 39 pour plus de détails. **NE SUBSTITUEZ PAS DE CONDUITE DE QUALITÉ INCONNUE.**



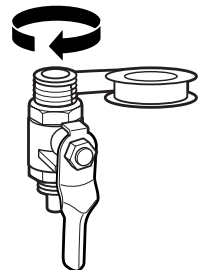
Si vous utilisez des tubes de cuivre, **NE** les branchez **PAS** directement sur l'équipement de filtration par osmose inversée. Achetez un connecteur et utilisez une conduite jaune plus court fourni pour faire la connexion finale à l'équipement de filtration par osmose inversée. N'utilisez pas de tube de cuivre pour brancher à machine à glaçons ou au robinet.

E. ENLÈVEMENT ET RÉINSTALLATION DU ROBINET D'ENTRÉE (nécessaire uniquement si vous devez enlever le robinet d'entrée pour terminer l'étape 5 à la page 39)

1. Enlevez le robinet d'entrée (F) de l'adaptateur (C) en utilisant une clé anglaise sur le corps du robinet. Consultez l'illustration ci-dessous pour de plus amples détails. **N'UTILISEZ JAMAIS LA CLÉ SUR L'ÉCROU HEXAGONAL SITUÉ À L'EXTRÉMITÉ DU ROBINET, CAR VOUS POUVEZ PROVOQUER UNE FUITE.**



2. Enlevez tout le chatterton d'étanchéité des filetages du robinet d'entrée (F) et de l'adaptateur (C).
3. Serrez à la main l'adaptateur assemblé (C) dans le robinet d'alimentation (A) pour votre bonne taille d'installation. Assurez-vous que les joints (G) soient en place avant l'assemblage final, conformément à l'illustration de la page 39. Serrez à la clé anglaise. **Prenez bien soin de ne pas trop serrer ou de ne pas fausser le filetage, car vous pouvez l'endommager.**
4. Utilisez le chatterton d'étanchéité fourni, en tournant le chatterton environ 9 fois autour du gros filetage sur le robinet d'entrée (F), dans le sens des aiguilles d'une montre, comme l'indique la figure à droite.
5. Serrez à la main le robinet d'entrée (F) dans l'adaptateur (C), puis finissez de serrer à la clé anglaise. **N'UTILISEZ JAMAIS LA CLÉ SUR L'ÉCROU HEXAGONAL SITUÉ À L'EXTRÉMITÉ DU ROBINET, CAR VOUS POUVEZ PROVOQUER UNE FUITE.**

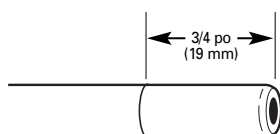


Instructions d'installation

INSTALLATION DU TUYAU ET DU RÉDUCTEUR DE DÉBIT

INSTALLATION DU TUYAU AU RÉSERVOIR ET AU ROBINET

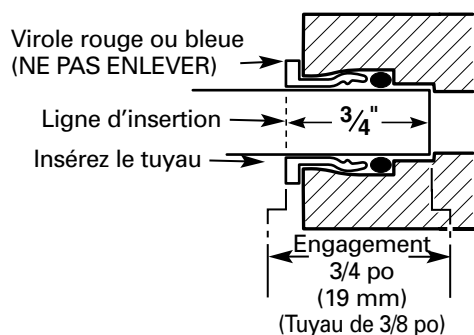
1. Mesurez $3/4$ po (19 mm) à partir de chaque extrémité de tuyau restante (extrémité du tuyau et extrémité du robinet) et marquez avec un crayon (vérifiez que le tuyau soit bien rond, lisse, qu'il n'ait pas de coupure, d'arête vive ou de point faible, et que la coupure soit bien perpendiculaire).



INCORRECT



2. Poussez fermement le tuyau dans chaque raccord du collecteur jusqu'à ce que le tuyau soit aligné au col du manchon (si le tuyau est enlevé, recoupez son extrémité, mesurez, marquez et réinsérez). Vous devez bien insérer le tuyau pour éviter toute fuite. **Pour enlever le tuyau, appuyez sur la virole rouge ou bleue et tenez appuyé. Tirez sur le tuyau pour l'enlever.**



3. Tirez légèrement sur le tuyau pour vous assurer qu'il est bien scellé.

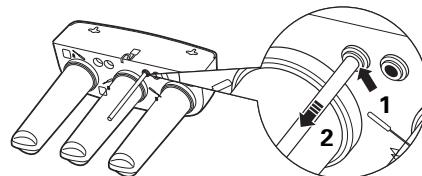
PROCÉDURE DE REMPLACEMENT DU RÉDUCTEUR DE DÉBIT

Chaque fois que vous changez la cartouche d'osmose inversée, vous devez également changer le réducteur de débit dans le tuyau de vidange.

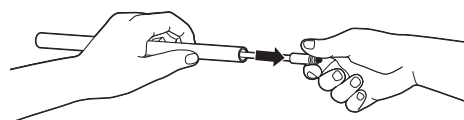
Assurez-vous de bien vous laver les mains avant de toucher les pièces internes du système.

PROCÉDURE DE REMPLACEMENT DU RÉDUCTEUR DE DÉBIT (suite)

1. Enlevez le tuyau de vidange en poussant vers le haut la virole du tuyau de vidange (1) avec une main tout en enlevant le tuyau de vidange (2) avec l'autre main.

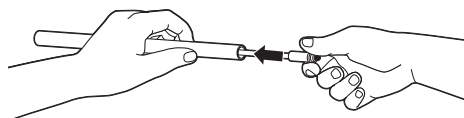


2. Après avoir enlevé le tuyau de vidange de la base du système, saisissez l'extrémité du réducteur de débit et tirez le réducteur droit vers vous pour le faire sortir du tuyau*. Si le réducteur est difficile à enlever à la main, utilisez des pinces pour saisir l'extrémité du réducteur, pour l'enlever plus facilement du tuyau.

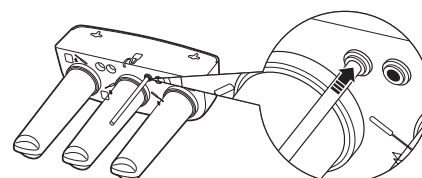


*Dans certains cas, le réducteur peut sortir en glissant du tuyau de vidange quand vous l'enlevez du col du tuyau de vidange. Si, après avoir enlevé le tuyau de vidange conformément à l'étape 1, le réducteur n'est plus à l'extrémité du tuyau, vérifiez le col du tuyau de vidange. Enlevez le réducteur du col et passez à l'étape 3.

3. Prenez un nouveau réducteur et mettez-le en place en le faisant glisser dans le tuyau de vidange. Faites-le pénétrer à la main. N'utilisez jamais de pinces pour le remettre en place. Assurez-vous de faire entrer complètement le réducteur dans le tuyau. Si vous ne le faites pas, vous risquez d'obtenir un mauvais fonctionnement du système d'osmose inversée.



4. Refaites entrer le tuyau de vidange dans la base du système. Tirez un peu sur le tuyau pour vous assurer que la virole est bien engagée et tient bien au tuyau.



INSTALLATION DU ROBINET

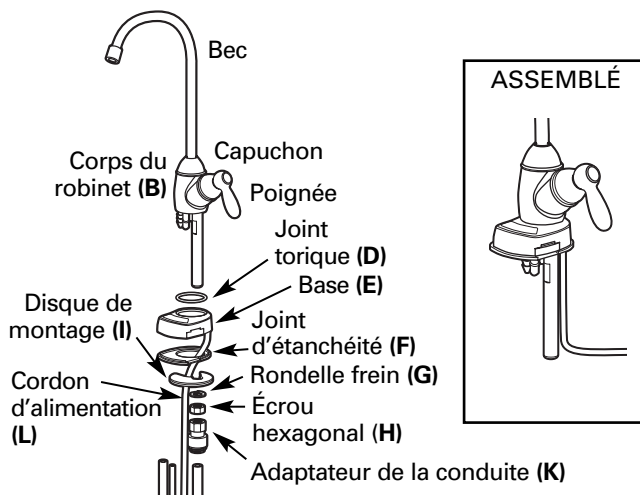
MONTAGE DE ROBINET

Assurez-vous que vous disposez d'un espace suffisant sous l'évier pour faire les raccordements. Choisissez l'un des endroits suivants pour l'installation du robinet :

- Dans un trou d'évier existant pour tuyau de pulvérisation d'eau ou distributeur de savon liquide.
- Dans un trou à percer dans le dessus de l'évier.
- Dans un trou à percer dans le comptoir, à côté de l'évier.

NOTE : Assurez-vous que la base du robinet s'adaptera sur la surface de la position sélectionnée pour assurer une bonne jonction du joint du robinet et de la surface.

1. Si un perçage est nécessaire, faites un trou de 1-1/4 po de diamètre. **Assurez-vous que vous suivez la bonne procédure pour le perçage de la porcelaine ou de l'acier inoxydable. Vous pouvez avoir besoin de mèches spéciales de perceuse. Consultez un plombier qualifié pour trouver la bonne procédure.**
2. Enlevez le robinet, le joint torique (D), la base de robinet (E), le joint d'étanchéité du bas de la base (F), la rondelle frein (G), l'écrou hexagonal (H) et le disque de montage (I) de l'emballage.
3. Faites passer le tuyau de 3/8 po (rayé bleu), le tuyau de 1/4 po (noir) (attaché au système d'osmose inversée) et le tuyau de 3/8 po (noir) (compris dans l'emballage) par le trou de montage de l'évier ou du comptoir. Cette étape peut nécessiter deux personnes pour l'assemblage. Consultez la section *Installation optionnelle du tuyau de robinet par une personne* à la page 40.
4. Acheminez les deux conduites noires vers le haut au travers du joint d'étanchéité (F), de la base du robinet (E) et du joint torique (D).



NOTE : Pour faciliter les opérations d'entretien, maintenez la conduite suffisamment long de telle façon que le retrait du système de filtration par osmose inversée situé sous le comptoir demeure possible.

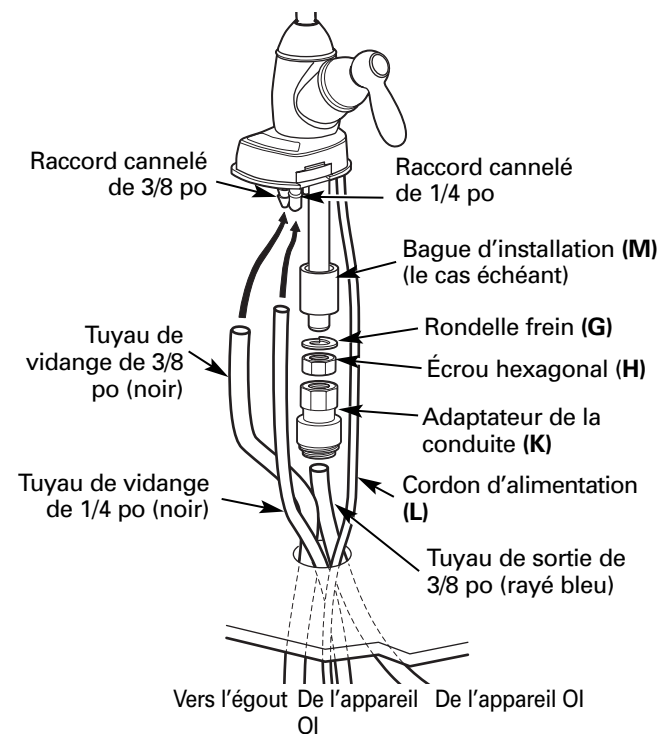
5. Poussez la conduite noire de 1/4 et 3/8 po sur leur raccord cannelé respectif sur le corps (B).

NOTE : Pour faciliter l'insertion, trempez les extrémités des tuyaux dans de l'eau chaude pendant quelques minutes pour les assouplir.

6. Positionnez la base (E) et le corps (B) ensemble. Assurez-vous que le joint torique et le joint d'étanchéité sont en place à la jonction de la base et du corps. La poignée du robinet sera positionnée à 3 heures par rapport à la base.
7. Glissez la rondelle frein sur la tige filetée du robinet (B), puis vissez l'écrou hexagonal (H) sur la tige. Vissez sur la moitié de la longueur environ vers le haut.

NOTE : Si vous utilisez le robinet sur un évier en acier inoxydable, faites glisser une bague d'installation (M) avant la rondelle frein.

8. Vissez l'adaptateur de tuyau à l'extrémité bleue (K) de l'arrière filetée du corps (B).
9. Poussez le tuyau (rayé bleu) dans l'adaptateur. Il doit pénétrer d'environ 3/4 po (2 cm). Tirez dessus pour vous assurer qu'il tient bien.
10. Passez la conduite, la tige et le cordon d'alimentation vers le bas au travers du trou de 1-1/4 po (3 cm).
11. Abaissez l'ensemble de robinet en place dans le trou de montage et orientez-le en position finale. Placez le disque de montage (I) au-dessus de la rondelle frein (G) autour de l'arrière du robinet. En tenant le disque de montage en place, serrez fort l'écrou hexagonal. Cette étape peut nécessiter deux personnes.



Instructions d'installation

INSTALLATION DU ROBINET (suite)

INSTALLATION OPTIONNELLE DU TUYAU DE ROBINET PAR UNE PERSONNE

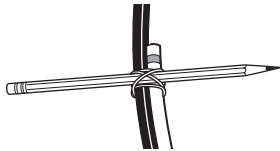
1. En partant sous l'évier, réunissez le tuyau de vidange de 1/4 (noir), le tuyau de vidange de 3/8 po (noir) et le tuyau de sortie de 3/8 po (rayé bleu) dans une main, avec les tuyaux de drainage se terminant à la même longueur et le tuyau de sortie dépassant d'environ 6 pouces.



2. Entourez les trois tuyaux d'une bande élastique.



3. Insérez un crayon ordinaire No 2 dans la bande élastique.



4. Faites tourner le crayon jusqu'à ce qu'il soit aligné aux tuyaux et poussez vers le haut par le trou de montage. Relâchez votre prise sur le crayon. Les tuyaux demeurent en position pour un branchement plus facile du robinet.



INSTALLATION DU CORDON D'ALIMENTATION D'ÉLECTRICITÉ

Branchez le cordon d'alimentation électrique du robinet à la prise de liaison de l'ensemble d'osmose inversée.



NOTE : Si vous avez besoin d'une rallonge à cause de la distance de l'emplacement, ce câble de rallonge de téléphone doit être du type 6 fils conducteurs et contacts. Un câble ordinaire de 4 conducteurs ne fonctionne pas.

INSTALLATION DE LA PILE

1. Utilisez un petit tournevis à tête plate ou une pièce de monnaie pour enlever le tiroir à pile (A) du côté de la base de robinet.
2. Installez une pile CR2032 de 3 volts (B), le côté positif « + » vers le bas, dans le tiroir à pile (A).
3. Faites glisser le tiroir à pile dans la base de robinet (C) jusqu'à ce que le rebord du tiroir à pile (A) soit aligné au côté de la base.
4. Chaque lumière s'allume à son tour deux fois. À la fin, la lumière OK (verte) ou la lumière de filtre (jaune) peut rester allumée pendant quelques secondes supplémentaires. Si vous voulez recommencer la procédure de démarrage du système, enlevez la pile pendant 90 secondes. Le système électronique doit se décharger entièrement. Remettez ensuite la pile en place.
5. La lumière OK (verte) clignote normalement une fois par seconde quand l'appareil distribue de l'eau. Les lumières filtre ou RO (ambrée) clignotent une fois par seconde quand l'appareil distribue de l'eau, quand le système a besoin d'entretien. Si le système a besoin d'entretien, ils clignotent également au hasard quand le système ne fonctionne pas.

Pour que la lumière passe de OK à RO, le système doit trouver un changement dans le mécanisme de filtrage pendant 25 secondes consécutives. Par exemple, si le système ne filtre pas bien, la lumière RO se met à clignoter. Si vous corrigez le problème et le système recommence à bien filtrer, le mécanisme électronique attend 25 secondes pour confirmer les changements avant d'allumer la lumière OK.

POUR CHANGER LE FILTRE : Remplacez la pile quand vous changez le filtre. Enlevez la vieille pile et attendez au moins 90 secondes avant d'installer la nouvelle pile. Cela permettra une remise en marche du système électronique et un bon fonctionnement pendant les 6 mois suivants.

Instructions d'installation

RACCORDEMENTS À LA CONDUITE DE VIDANGE

Vérifiez et conformez-vous aux codes de plomberie lors de la planification.

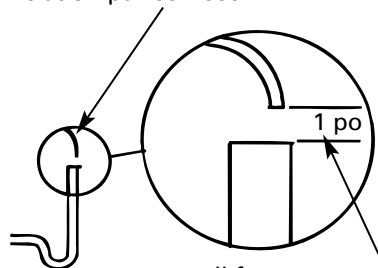
▲ MISE EN GARDE : Les options décrites ci-dessous représentent **UNIQUEMENT** les configurations d'installation homologuées. N'utilisez pas de systèmes comportant des soupapes à étrier.

NOTE : Si vous ne vous conformez pas à ces instructions d'installation, vous annulez la garantie du produit, et l'installateur devient responsable de tout service, réparation ou dommage occasionné par le système.

INSTALLATION PRÉFÉRENTIELLE : OPTION A – INSTALLATION DU SYSTÈME AU SOUS-SOL

Acheminez **DIRECTEMENT** la conduite de vidange du système de filtration par osmose inversée à un évent du sous-sol, en dérivant l'espace d'air ménagé dans le robinet. L'installation de l'écart anti-retour est laissée à la discrétion de l'installateur. Il est aussi possible de diriger la conduite de vidange sur un orifice d'évacuation du sol ou encore dans une baignoire sous réserve que l'espace d'air du sous-sol est respecté. Des raccords spéciaux pour l'espace d'air sont disponibles pour le raccordement de la conduite à l'évent.

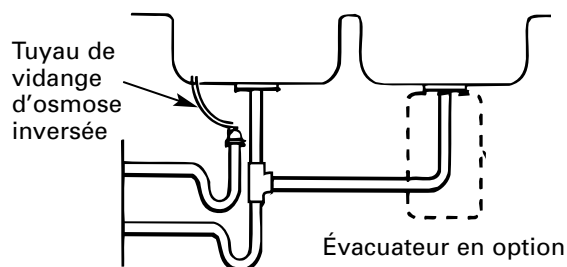
Conduite de vidange du système de filtration par osmose



Il faut conserver un écart anti-retour d'au moins 1 po (2,5 cm)

INSTALLATION PRÉFÉRENTIELLE : OPTION B – INSTALLATION D'UN SIPHON P À VENTILATION TRADITIONNELLE

Installez sous l'évier un siphon P à ventilation traditionnelle, qui sera utilisé uniquement pour le tuyau de vidange d'osmose inversée. Un siphon P à ventilation traditionnelle est un siphon P qui a sa propre ventilation. Attachez l'adaptateur de tuyau de vidange au siphon P, et serrez-le avec l'écrou coulissant et la rondelle comme l'indique la figure. Le tuyau de vidange **DOIT** passer par l'espace d'air fourni par le robinet d'eau d'osmose inversée.



Instructions d'installation

RACCORDEMENTS À LA CONDUITE DE VIDANGE (suite)

INSTALLATION PRÉFÉRENTIELLE : OPTION C – INSTALLATION D'UN SIPHON P À VENTILATION INTERNE

Installez sous l'évier un siphon P à ventilation interne, qui sera utilisé uniquement pour le tuyau de vidange d'osmose inversée. Un siphon P à ventilation interne est un siphon P qui partage une ventilation commune. Attachez l'adaptateur de tuyau de vidange au siphon P, et serrez-le avec l'écrou coulissant et la rondelle comme l'indique la figure. Le tuyau de vidange DOIT passer par l'espace d'air fourni par le robinet d'eau d'osmose inversée. Placez le siphon P d'osmose inversée aussi haut que possible (au moins 4 po [10 cm] au-dessus de l'horizontale).

Instructions d'installation

RÉSERVOIR DE STOCKAGE ET DÉMARRAGE DU SYSTÈME

INSTALLATION DU RÉSERVOIR DE STOCKAGE

1. Enlevez le capuchon protecteur du haut du réservoir.
2. Enroulez 2 ou 3 tours de chatterton d'étanchéité, dans le sens des aiguilles d'une montre, autour du filetage du réservoir.
3. Installez le raccordement poussoir sur le raccordement fileté du réservoir comme l'indique la figure.
4. Poussez le tuyau de 3/8 po (rayé rouge) du système d'osmose inversée dans le raccordement du réservoir de stockage.

PROCÉDURE DE MISE EN MARCHÉ DU SYSTÈME

⚠ ATTENTION : Si vous installez votre système dans une construction neuve, assurez-vous de bien purger la plomberie de la maison avant d'ouvrir le robinet d'approvisionnement d'eau.

1. Vérifiez que tous les raccords de tuyaux soient bien mis.
2. Ouvrez le robinet d'approvisionnement d'eau.
3. Vérifiez qu'il n'y ait pas de fuite aux points de raccordement.
4. Suivez les procédures *d'aseptisation* à la page 45.
5. Après avoir terminé l'aseptisation, remettez le pré-filtre, le post-filtre et les cartouches d'osmose inversée.
6. La membrane contient un agent de préservation comestible. Laissez le système remplir le réservoir, videz-le ensuite complètement quatre fois avant d'utiliser l'eau du système.
7. Vérifiez à nouveau tous les points de raccords quelques jours plus tard, afin de vous assurer qu'il n'y ait pas de petites fuites.

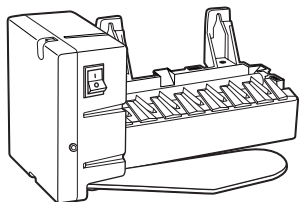
Entretien et nettoyage du système de filtration par osmose inversée.

Procédure de remplacement du pré-filtre, du post-filtre et de la cartouche de membrane d'osmose inversée.

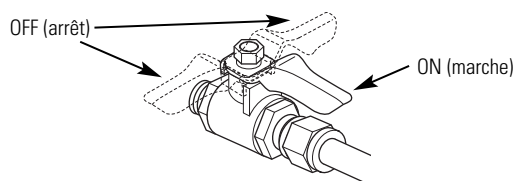
Quand la lumière ambrée de filtre de la base du robinet clignote, il est temps de remplacer le pré-filtre et le post-filtre. _ela se produit tous les 6 mois.

Assurez-vous de vous laver les mains avant de manipuler les pièces intérieures du système.

1. Mettez la machine à glaçons en position OFF (arrêt) (si elle est attachée au système).

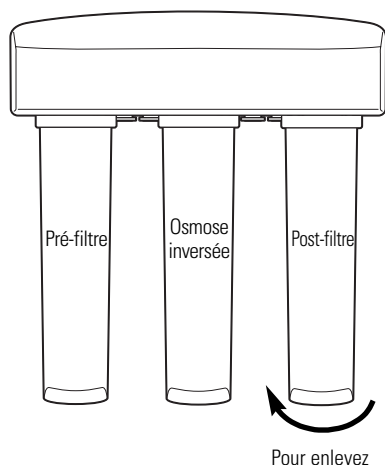


2. _oupez l'alimentation en eau du système.



3. Ouvrez le robinet pour vider le réservoir (cela peut rendre plusieurs minutes). Fermez le robinet quand le réservoir est vide.

4. Enlevez le pré-filtre, le post-filtre et la cartouche d'osmose inversée en les faisant tourner vers la gauche environ 1/3 de tour.



5. Suivez les procédures de la section *Aseptisation du système d'osmose inversée* à la page 45.

6. Enlevez l'opercule au sommet des nouvelles cartouches de remplacement. Installez les nouvelles cartouches dans le collecteur en tournant vers la droite environ 1/3 de tour, jusqu'à ce que les marques d'alignement soient alignées et les cartouches s'arrêtent. **NE SERREZ PAS TROP.** Les cartouches se soulèvent quand elles sont tournées.

NOTE : Le pré-filtre et le post-filtre sont identiques. Vous pouvez installer l'un ou l'autre indifféremment. La cartouche d'osmose inversée est installée au centre.

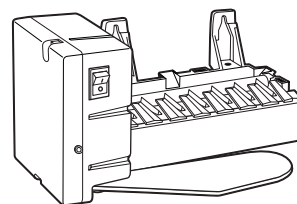
7. Ouvrez l'approvisionnement d'eau pour remplir le système (cela peut prendre jusqu'à quatre heures). Vérifiez qu'il n'y a pas de fuite.

8. Enlevez le tiroir à pile et remettez la pile, le côté positif « + » vers le bas, pour remettre en marche la minuterie et la fonction de surveillance dans la base du robinet (voir la bonne procédure dans la section *Installation de la pile*).

NOTE : Attendez au moins 90 secondes avant d'installer la nouvelle pile. _ela permettra une remise en marche du système électronique et un bon fonctionnement pendant les 6 mois suivants.

9. Si vous ne remplacez que le pré-filtre et le post-filtre, ouvrez le robinet et videz le réservoir de stockage plein. Si vous remplacez la cartouche de membrane, remplissez et videz le réservoir de stockage quatre fois au total. (_ela enlèvera les agents de préservation comestibles contenus dans les nouvelles membranes. _et agent de préservation donne à l'eau du produit un goût et une odeur désagréables.

10. Quand le réservoir de stockage est plein, mettez en marche la machine à glaçons.



NOTE : Vous devez aseptiser le système quand vous remplacez la cartouche de pré-filtre et la cartouche de post-filtre ou la cartouche d'osmose inversée. Suivez les procédures de la section *Aseptisation du système d'osmose inversée*, à la page 45.

Aseptisation du système d'osmose inversée

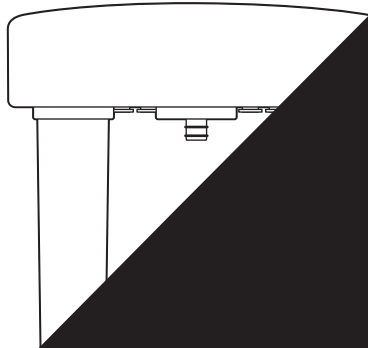
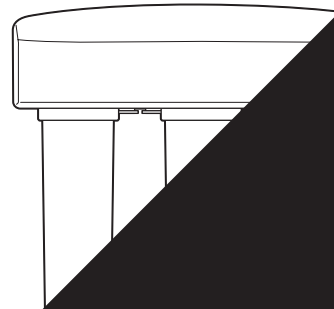
Aseptisez l'installation du système d'osmose inversée après avoir entretenu, réparé ou changé les pièces intérieures, en particulier après avoir remplacé le pré-filtre, le post-filtre et la cartouche de membrane.

Assurez-vous de vous laver les mains avant de manipuler les pièces intérieures du système.

⚠ ATTENTION : Avant d'aseptiser, assurez-vous d'enlever toutes les cartouches. Le chlore détruit la cartouche de membrane d'osmose inversée.

1. Suivez les étapes 1 à 4 de la section *Procédure de remplacement du pré-filtre, du post-filtre et de la cartouche de membrane d'osmose inversée*.
2. Emplissez d'eau la cartouche vide appelée « cartouche d'aseptisation », avec l'eau qui arrive à moins d'1 pouce de l'ouverture supérieure. Ajoutez 1 once (2 cuillères à soupe) d'eau de Javel ménagère ordinaire. Installez la cartouche en position de cartouche de pré-filtre en tournant vers la droite environ 1/3 de tour jusqu'à ce que les marques d'alignement s'alignent et la cartouche s'arrête.

3. Installez les deux « cartouches d'aseptisation » additionnelles dans les ouvertures de la cartouche de membrane et du post-filtre du collecteur en les tournant vers la droite environ 1/3 de tour jusqu'à ce que les lignes d'alignement soient alignées et la cartouche s'arrête.



Installez les deux « cartouches d'aseptisation » additionnelles en les tournant vers la droite environ 1/3 de tour. _ onservez-les dans la position indiquée jusqu'à ce que vous en ayez un autre à nouveau.

Entretien et nettoyage du système de filtration par osmose inversée.

Pour obtenir des filtres de rechange, appelez le numéro d'appel sans frais du service de pièces d'appareil GE au 800.626.2002 (États-Unis), 800.663.6060 (Canada–Anglais), 800.361.3869 (Canada–Français), ou visitez le magasin dans lequel vous avez acheté le système de filtration par osmose inversée.

<i>Cartouche de rechange du pré-filtre/post-filtre FQROPF</i>	<i>Bloc de charbon</i>
<i>Cartouche de rechange du système de filtration FQROMF</i>	<i>Pellicule mince en polyamide</i>

▲ MISE EN GARDE : Avant d'effectuer l'entretien du système de filtration, fermez le robinet d'alimentation / soupape à étrier et ouvrez le robinet d'eau OI. Permettez au système de se vider.

Trousse de test d'eau

Pour obtenir une trousse de test d'eau d'un laboratoire indépendant, veuillez appeler Legend Technical Services au 1.800.826.8553 poste 47 et laissez les informations pour vous contacter. Ils vous contacteront pour vous demander d'identifier les tests d'eau qui vous intéressent, et pour vous informer du coût du test. Vous recevrez ensuite une trousse qui comprendra tous les tests nécessaires pour indiquer correctement le niveau de performance de votre système. L'eau produite doit être testée au minimum tous les six mois.

NOTE : Quand la réduction de solides totaux dissous du système baisse en dessous de 75 %, il est temps de remplacer la cartouche d'osmose inversée en plus du pré-filtre et du post-filtre.

Problème	Causes possibles	Correctifs
L'eau est trouble et contient des bulles	Il y a de l'air dans les conduites après l'installation.	<ul style="list-style-type: none"> • Le phénomène disparaît après que l'eau a coulé pendant un certain temps.
La lumière ambrée de « filtre » sur la base du robinet scintille	Six mois ou 900 gallons (3400 l) d'eau de produit sont passés. C'est la vie maximum du pré-filtre et du post-filtre.	<ul style="list-style-type: none"> • Remplacez le pré-filtre, le post-filtre et la pile dans la base du robinet.
La lumière ambrée de « RO » (osmose inversée) scintille. NOTE : Ne tenez pas compte des courtes périodes de scintillement ou des périodes de scintillement initial de cette lumière	Peu d'utilisation d'eau produite par osmose inversée.	<ul style="list-style-type: none"> • Ouvrez le robinet d'eau d'osmose inversée et laissez le système se vider. Fermez le robinet d'eau d'osmose inversée et laissez le système recréer l'approvisionnement d'eau.
	La cartouche d'osmose inversée n'enlève plus le montant requis de solides totaux dissous.	<ul style="list-style-type: none"> • Remplacez la cartouche d'osmose inversée et le contrôle de débit.
	L'approvisionnement d'eau au système d'osmose inversée ne correspond pas aux caractéristiques.	<ul style="list-style-type: none"> • Augmentez la pression d'eau, pré-conditionnez l'eau, etc. selon le cas, avant de réparer le système d'osmose inversée.
	Il faut 25 secondes ou 25 scintillements à la lumière d'osmose inversée pour passer à la lumière OK avec de la bonne eau filtrée.	<ul style="list-style-type: none"> • Fonctionnement normal. Consultez la description du fonctionnement à la page 40.
Les lumières indicatrices situées sur la base du robinet ne fonctionnent pas	Le fil de connexion de la base du robinet n'est pas connecté au fil de connexion de la plaquette de circuit électronique.	<ul style="list-style-type: none"> • Branchez.
	La pile est mal installée	<ul style="list-style-type: none"> • Observez les marques d'orientation à la page 40 et

Avant d'appeler un réparateur...



Conseils de dépannage

Problème	Causes possibles	Correctifs
L'eau du système de filtration goûte le chlore ou présente des odeurs de chlore	La concentration en ppm de chlore dans votre eau dépasse les limites maximales et a détruit la membrane du système.	<ul style="list-style-type: none"> • Si l'eau alimentant le système contient une concentration de plus de 2,0 ppm de chlore, il est nécessaire d'assurer un filtrage complémentaire de cette eau. _ corrigez cette situation avant toute opération d'entretien du système.
	Le pré-filtre n'élimine plus le chlore de l'eau.	<ul style="list-style-type: none"> • Remplacez la membrane, cartouche, régulateur de débit, tamis, pré-filtre, post-filtre du système de filtration et la pile dans la base du robinet.
Il y a d'autres odeurs ou goût de chlore	L'eau de haute qualité produite peut avoir un goût différent de celui auquel vous êtes habitué.	<ul style="list-style-type: none"> • Ceci est normal.
	Utilisation basse de l'eau.	<ul style="list-style-type: none"> • Videz complètement le système et le remplir à nouveau.
	Contamination dans le réservoir d'eau traitée.	<ul style="list-style-type: none"> • Utilisez les procédures de désinfection.
	Le pré-filtre ou post-filtre doivent être remplacés.	<ul style="list-style-type: none"> • Remplacez le pré-filtre et le post-filtre. • Désinfectez le système.
L'eau fuit de l'orifice d'espace d'air du robinet	Le côté vidange de l'espace d'air du robinet (conduite de 3/8 po) est colmaté, l'écoulement est limité ou la conduite n'a pas été correctement raccordé au point de vidange.	<ul style="list-style-type: none"> • Inspectez et éliminez la cause du colmatage. Il est important que la conduite de vidange soit rectiligne entre l'espace d'air du robinet et la conduite de vidange. Référez-vous à la section <i>Raccordement à la conduite de vidange</i> pour vous assurer d'un bon raccord de la conduite. Si vous avez utilisé un adaptateur pour la conduite au point de vidange, il est recommandé d'effectuer une inspection périodique/nettoyage.
Le système produit de l'eau lentement	Ceci est normal.	<ul style="list-style-type: none"> • Le débit d'eau sera inférieur à celui de votre robinet habituel. • Il faut de 3 à 4 heures pour fournir suffisamment d'eau pour remplir le réservoir.
	L'eau alimentant le système de filtration ne répond pas aux spécifications définies.	<ul style="list-style-type: none"> • Augmentez la pression de l'eau ou pré-conditionnez l'eau, etc. selon le cas afin que vous soyez conforme aux spécifications avant d'effectuer les opérations d'entretien du système.
	La cartouche du pré-filtre est colmatée par des sédiments.	<ul style="list-style-type: none"> • Remplacez le pré-filtre. Si le débit n'augmente pas, remplacez le post-filtre.
	La cartouche du système est colmatée par des sédiments.	<ul style="list-style-type: none"> • Remplacez la cartouche du système, le régulateur de débit et la pile dans la base du robinet.



Conseils de dépannage

Problème	Causes possibles	Correctifs
Pas d'eau	Le robinet d'alimentation d'eau n'est pas ouvert.	<ul style="list-style-type: none"> Ouvrez le robinet d'alimentation d'eau. _ consultez le diagramme à la page 37.
	Après un changement de filtre, le réservoir est vide.	<ul style="list-style-type: none"> Il faut de 3 à 4 heures au système d'osmose inversée pour fournir suffisamment d'eau pour remplir le réservoir.
Fuites aux raccords	Mauvaise installation.	<ul style="list-style-type: none"> Réinstallez. _ consultez les instructions d'installation.
Sons que vous pouvez entendre	Vidange de l'évier, vidange de l'eau du système.	<ul style="list-style-type: none"> _ 'est normal. Vous pouvez poser un tuyau de vidange à une autre vidange, comme une vidange de cave. _ consultez les pages 41 et 42 pour d'autres configurations de vidange.
	Écart anti-retour du robinet— vidange de l'eau au travers de l'écart anti-retour du robinet. Cela peut résulter d'un approvisionnement d'eau à pression élevée, en général de 90 psi ou plus.	<ul style="list-style-type: none"> Installez un régulateur de pression dans le système d'approvisionnement d'eau pour réduire la pression de l'eau en dessous de 90 psi. Un autre réducteur de débit pour les installations à pression élevée est vendu par GE (article 31 sur la liste des pièces à la page 51. Appelez les pièces GE et demandez un réducteur de débit, haut débit, pièce numéro WS15X10049.

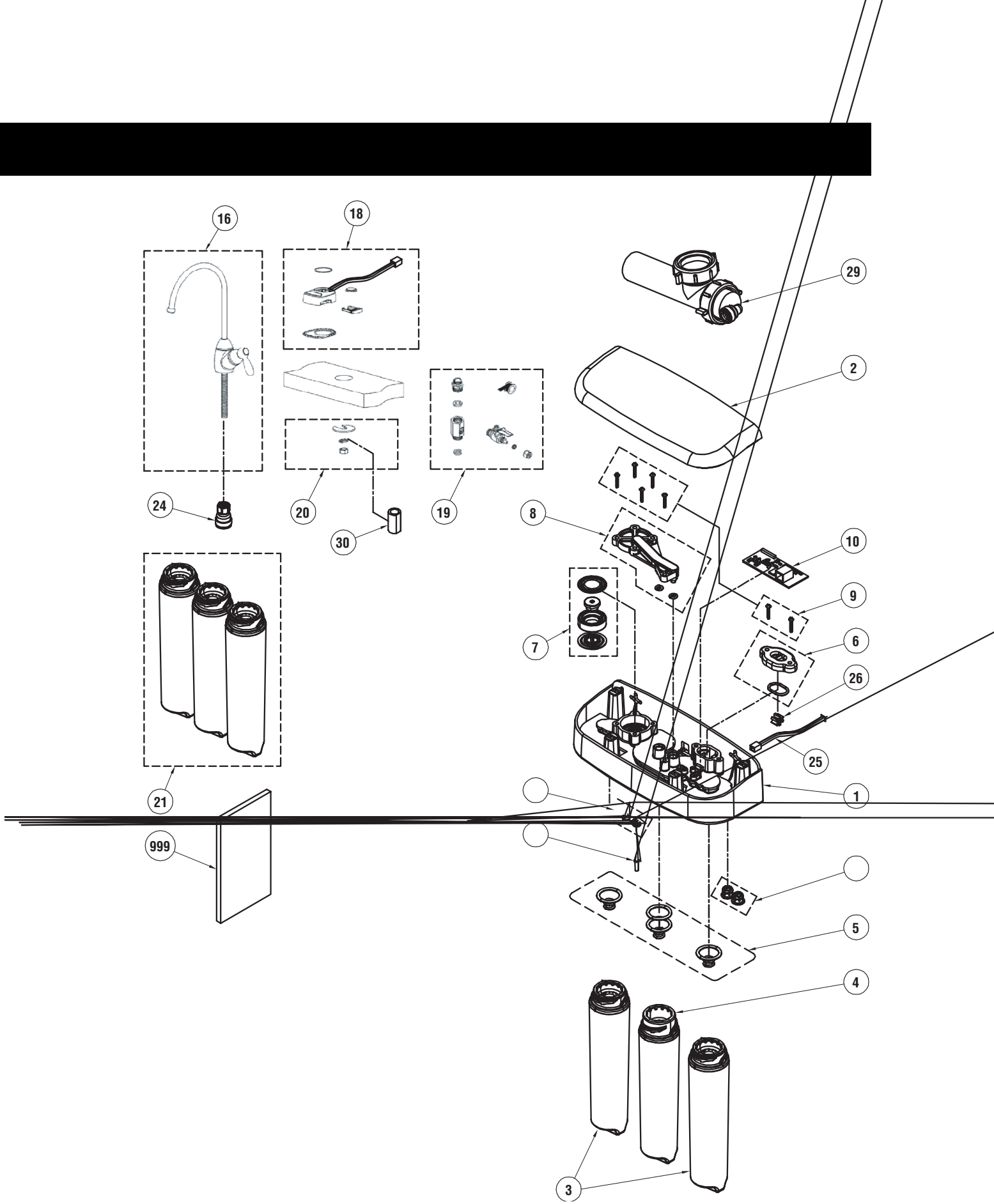
Mesures de sécurité

Fonctionnement

Installation

Conseils de dépannage

Soutien au consommateur



N° DE RÉF	N° DE PIÈCE	DESCRIPTION DES PIÈCES	QUANTITÉ			
			P N R Q 2 0 F B L	P N R Q 2 0 F W W	P N R Q 2 0 F B B	P N R Q 2 0 F C C
0001	WS19X10022	ENSEMBLE DE _ OLLE_ TEUR	1	1	1	1
0002	WS19X10018	_ APU_ HON	1	1	1	1
0003	FQROPF	ENSEMBLE PRÉ-FILTRE ET POST-FILTRE	1	1	1	1
0004	FQROMF	_ ARTOU_ HE D'OSMOSE INVERSÉE	1	1	1	1
0005	WS03X10047	JEU DE JOINTS TORIQUES (4 GRANDS, 6 PETITS)	1	1	1	1
0006	WS03X10048	_ APU_ HON D'INDI_ ATEUR DE DÉBIT ET JOINT TORIQUE	1	1	1	1
0007	WS15X10040	ENSEMBLE DE ROBINET D'ARRÊT	1	1	1	1
0008	WS10X10030	ENSEMBLE DE _ OUVRE_ LE D'ARRÊT ET DE BALLE DE VÉRIFI_ ATION	1	1	1	1
0009	WS02X10034	VIS, ENSEMBLE DE 7	1	1	1	1
0010	WS06X10005	_ ARTE DE _ IR_ UIT IMPRIMÉ	1	1	1	1
0011	WS32X10021	RÉSERVOIR DE STO_ KAGE D'EAU	1	1	1	1
0012	WS60X10009	_ ORDON TÉLÉPHONIQUE 6 BRO_ HES—25 PIEDS	—	—	—	—
0013	WS60X10010	_ ONNE_ TEUR DE _ ORDON TÉLÉPHONIQUE	—	—	—	—
0014	WS07X10018	TUYAU, DIAMÈTRE DE 1/4 PO X 33 PIEDS—BLAN_	1	1	1	1
0015	WS07X10019	TUYAU, DIAMÈTRE DE 3/8 PO X 33 PIEDS—BLAN_	1	1	1	1
0016	WS15X10042	ROBINET, _ HROME, OGIVAL	1	—	—	—
	WS15X10044	ROBINET, BLAN_ , OGIVAL	—	1	—	—
	WS15X10043	ROBINET, NOIR, OGIVAL	—	—	1	—
	WS15X10047	ROBINET, BISQUE, OGIVAL	—	—	—	1
0018	WS10X10031	BASE DE ROBINET, AVE_ _ ÂBLAGE—_ HROME	1	—	—	—
	WS10X10033	BASE DE ROBINET, AVE_ _ ÂBLAGE—BLAN_ HE	—	1	—	—
	WS10X10032	BASE DE ROBINET, AVE_ _ ÂBLAGE—NOIRE	—	—	1	—
	WS10X10034	BASE DE ROBINET, AVE_ _ ÂBLAGE—BISQUE	—	—	—	1
0019	WS18X10009	TROUSSE D'ADAPTATEUR D'ALIMENTATION D'EAU	1	1	1	1
0020	WS02X10031	RONDELLE ET É_ ROU—ROBINET	1	1	1	1
0021	WS35X10041	TROUSSE D'ASEPTISATION	1	1	1	1
0022	WS15X10041	RÉDU_ TEUR DE DÉBIT	1	1	1	1
0023	WS22X10055	RA_ _ ORD DE RÉSERVOIR, TUYAU DE 3/8 PO	1	1	1	1
0024	WS22X10054	RA_ _ ORD DE ROBINET, TUYAU DE 3/8 PO	1	1	1	1
0025	WS19X10019	_ AVALIER DE _ ORDON TÉLÉPHONIQUE, 12 PO	1	1	1	1
0026	WS19X10020	IMPULSEUR D'INDI_ ATEUR DE DÉBIT	1	1	1	1
0027	WS22X10052	VIROLE, 1/4 PO (ENSEMBLE DE 2)	1	1	1	1
0028	WS22X10053	VIROLE, 3/8 PO (ENSEMBLE DE 2)	1	1	1	1
0029	WS18X10006	ADAPTATEUR DE TUYAU DE VIDANGE	1	1	1	1
0030	WS02X10030	BAGUE DE MONTAGE DU ROBINET	1	1	1	1
0031	WS15X10049	RÉDU_ TEUR DE DÉBIT, HAUT DÉBIT	—	—	—	—
0999	49-50200	MANUEL D'UTILISATION ET D'INSTALLATION	1	1	1	1

Soutien au consommateur	Conseils de dépannage	Installation	Fonctionnement	Mesures de sécurité
--------------------------------	------------------------------	---------------------	-----------------------	----------------------------

Notes.

Garantie du système de filtration par osmose inversée de GE.



Tout service couvert par la garantie sera assuré par un réseau de réparateurs GE SmartWater™ accrédité. Pour obtenir du service en ligne 24 heures par jour, veuillez nous contacter sur le site www.electromenagersge.ca, ou appelez sans frais au 800.GE.CARES (États-Unis) ou 866.777.7627 (Canada). Veuillez fournir le numéro de série et le numéro de modèle lorsque vous appelez pour obtenir le service.

Agrafez le reçu d'achat ici.
Pour obtenir le service sous garantie, vous devrez fournir la preuve de l'achat original.

Pour la période de : **GE remplacera :**

Un an

À partir de la date d'achat original

Tout composant du système de filtration qui cessera de fonctionner à la suite d'un défaut matériel ou de fabrication. Au cours de cette **garantie limitée de une année**, GE assurera **sans frais** les travaux et le service connexe nécessaires pour remplacer la pièce défectueuse.

Ce qui n'est pas couvert :

- Les déplacements de service à domicile pour vous enseigner comment utiliser le produit.
- L'installation, la livraison ou l'entretien incorrects.
- Le non-fonctionnement du produit si celui-ci a été malmené, mal utilisé, utilisé dans un but autre que celui pour lequel il a été conçu ou utilisé pour une exploitation commerciale.
- L'utilisation de ce produit lorsque l'eau est microbiologiquement douteuse ou de qualité inconnue, sans désinfection adéquate. Les systèmes homologués pour la réduction de bactéries peuvent être utilisés avec de l'eau désinfectée pouvant contenir des bactéries filtrables.
- Les cartouches de filtre, les cartouches de membrane et les piles après trente jours à partir de la date d'achat.
- Les dommages causés par accident au produit, les incendies, inondations ou actes de Dieu.
- Les dommages fortuits ou indirects à la propriété personnelle résultant de défauts possibles de cet appareil.

EXCLUSION DE GARANTIES IMPLICITES – Votre seul et unique recours est la réparation du produit selon les dispositions de cette Garantie limitée. Toutes les garanties implicites, incluant les garanties de commercialité et d'adéquation à un usage spécifique, sont limitées à une année ou à la période la plus courte autorisée par la législation.

Cette garantie s'étend à l'acheteur initial et à tout propriétaire ultérieur pour les appareils achetés pour un usage au Canada ou aux États-Unis. Si le produit est installé dans une région où ne se trouve aucun réparateur autorisé GE, vous devrez peut-être assumer les frais de transport ou apporter/expédier le produit à un centre de service autorisé GE. En Alaska, cette garantie exclut le coût d'expédition ou les appels de service à votre site.

Certains États ou provinces n'autorisent pas l'exclusion ou la restriction des dommages directs ou indirects. La présente garantie vous donne des droits juridiques particuliers, mais vous pouvez avoir d'autres droits qui varient d'un État ou d'une province à l'autre. Pour connaître vos droits, appelez le bureau de la protection du consommateur de votre localité, de votre État ou de votre province ou le procureur général de votre État.

Garant : General Electric Company. Louisville, KY 40225

Mesures de sécurité

Fonctionnement

Installation

Conseils de dépannage

Soutien au consommateur

Soutien au consommateur.



Site Web appareils électroménagers GE

www.electromenagersge.ca

Vous avez une question ou vous avez besoin d'aide pour votre appareil électroménager? _ contactez-nous par Internet au site www.electromenagersge.ca 24 heures par jour, tous les jours de l'année.



Service de réparations

1.800.361.3400

Service de réparations GE est tout près de vous.
Pour faire réparer votre électroménager GE, il suffit de nous téléphoner.



Studio de conception réaliste

Sur demande, GE peut fournir une brochure sur l'aménagement d'une cuisine pour les personnes à mobilité réduite.

Écrivez: Directeur, Relations avec les consommateurs, _ amco, Inc.
Bureau 310, 1 Factory Lane
Moncton, N.B. E1_ 9M3

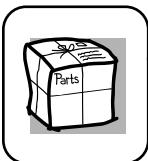


Prolongation de garantie

www.electromenagersge.ca

Achetez un contrat d'entretien GE avant que votre garantie n'expire et bénéficiez d'un rabais substantiel. Ainsi le service après-vente GE sera toujours là après expiration de la garantie.

Visitez notre site Web ou appelez-nous au 1.800.461.3636.

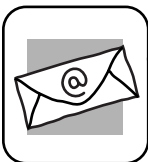


Pièces et accessoires

_ eux qui désirent réparer eux-mêmes leurs électroménagers peuvent recevoir pièces et accessoires directement à la maison (cartes VISA, MasterCard et Discover acceptées).

Les directives stipulées dans le présent manuel peuvent être effectuées par n'importe quel utilisateur. Les autres réparations doivent généralement être effectuées par un technicien qualifié. Soyez prudent, car une réparation inadéquate peut affecter le fonctionnement sécuritaire de l'appareil.

Vous trouverez dans les pages jaunes de votre annuaire le numéro du _ entre de service _ amco le plus proche. Autrement, appelez-nous au 1.888.261.3055.



Contactez-nous

Si vous n'êtes pas satisfait du service après-vente dont vous avez bénéficié :

Premièrement, communiquez avec les gens qui ont réparé votre appareil.

Ensuite, si vous n'êtes toujours pas satisfait envoyez tous les détails—numéro de téléphone compris—au Directeur, Relations avec les consommateurs, _ amco, Inc.
Bureau 310, 1 Factory Lane
Moncton, N.B. E1_ 9M3



Inscrivez votre appareil électroménager

www.electromenagersge.ca

Inscrivez votre appareil électroménager en direct, aussitôt que possible. _ ela améliorera nos communications et notre service après-vente. Vous pouvez également nous envoyer par la poste le formulaire d'inscription joint à votre documentation.

La sección en Español.

Información de seguridad

Información de seguridad.	56
Pautas sobre las especificaciones.	57

Instrucciones de operación

Sobre el sistema de Ósmosis Inversa	58, 59
--	--------

Instrucciones de instalación

Antes de empezar la instalación	60, 61
Conexión del drenaje de filtración	69, 70
Ensambladura del grifo	67, 68
Herramientas y materiales requeridos	60
Instalación de la batería	68
Instalación de la ensambladura del sistema de Ósmosis Inversa	62
Suministro de agua de alimentación	63–66
Tanque de almacenamiento y arranque	71

Cuidado y limpieza

Desinfección	73
Kit de prueba del agua	74
Reemplazo del pre-filtro, post-filtro y cartucho del sistema de Ósmosis Inversa	72

Consejos para la solución de fallas

Soporte al consumidor

Garantía	82
Lista de partes/Catálogo	78, 79
Soporte al consumidor	83

Anote aquí los números de modelo y de serie:

Modelo No. _____

Serie No. _____

Los podrá encontrar en el soporte del
sumidero.

Seguridad

Operación

Instalación

Solucionar problemas

Soporte al consumidor

INFORMACIÓN DE SEGURIDAD IMPORTANTE. LEA TODAS LAS INSTRUCCIONES ANTES DE USAR.

Seguridad

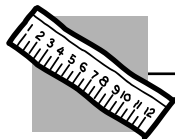
- Consulte con su departamento local de obras públicas para los códigos de plomería y desinfección. Deberá seguir estas

Operación

Instalación

Solucionar problemas

Soporte al consumidor

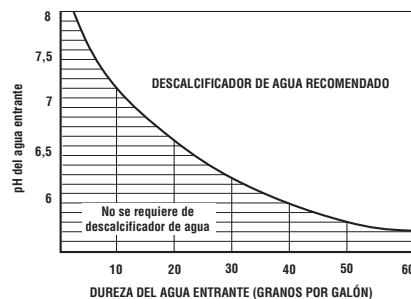


Producto – altura 11" ancho 10,5" profundidad 4"

El sistema produce un suministro adecuado de agua potable cada día.
La cantidad que produzca dependerá principalmente de los siguientes aspectos...

- Límites de presión del agua de alimentación—libras por pulgada cuadrada (psi)40–120^a**
- Límites de la temperatura del agua de alimentación—mínimo/máximo grados F40–100**
- Máximo de sólidos totales disueltos (TDS)—partes por millón (ppm)2000**
- Dureza máxima del agua a 6,9 pH recomendado para optimizar la duración de la membrana—granos por galón (gpg)10**

Para agua con dureza superior a 10 granos (a 6,9 pH), se recomienda el uso de un descalcificador. No instalar un descalcificador de agua reducirá la duración de la membrana de Ósmosis Inversa. Consulte la gráfica para información adicional sobre la posibilidad de necesitar un descalcificador de agua.



- Máximo hierro, manganeso, sulfuro de hidrógeno (ppm)<0,1**
- Cloro en el suministro de agua2,0 ppm máximo, permitido^b**
- Límites del pH del agua de alimentación4–10**
- Capacidad del tanque de almacenamiento—galones4^c**
- Control de apagado automáticosí**
- Prefiltro y postfiltro(FQROPF) bloque de carbón**
- Membrana de Ósmosis Inversa(FQROMF) poliamida de película delgada**
- Dimensiones del tanque de almacenamiento (pulgadas)altura 15" diámetro 11"**
- Dimensiones del cuerpo del sistema (pulgadas)altura 11" ancho 10,5" profundidad 4"**

- a. Si la presión del agua de la casa es superior a 120 psi, instale una válvula reductora de presión en la tubería de suministro del agua. Si la presión del agua de la casa es inferior a 40 psi, instale una bomba impulsora de Ósmosis Inversa (contáctese con la compañía local de suministros de plomería).
- b. Retirado (máximo de 2,0 ppm) por el prefiltro de Ósmosis Inversa. **SE REQUIERE MANTENIMIENTO REGULAR.** El cloro destruirá la membrana de Ósmosis Inversa.
- c. Capacidad teórica del tanque. Cuando se prueba de acuerdo con el estándar NSF/ANSI 58 a una presión de entrada de 50 psig, la capacidad del tanque es 2,3 galones.

Seguridad

Operación

Instalación

Solucionar problemas

Soporte al consumidor

Sobre el sistema de Ósmosis Inversa.

Seguridad

¿Qué hace el sistema de Ósmosis Inversa?

El sistema de Ósmosis Inversa reduce los Sólidos totales disueltos (TDS—Total Dissolved Solids) y la materia orgánica del agua al dispersarla a través de una membrana especial. La membrana separa los minerales e impurezas del agua y los expulsa hacia el desagüe. Consulte la Hoja de datos de desempeño para la reducción de afirmaciones especificadas. El agua producida de alta calidad va directamente hacia el grifo de agua para consumo o hacia el tanque de almacenamiento. El sistema produce un buen suministro de agua para consumo cada día. La cantidad que produzca depende de la presión, temperatura y calidad del suministro de agua.

El pre-filtro y post-filtro son cartuchos reemplazables. El pre-filtro reduce el cloro al mismo tiempo que filtra los sedimentos. El post-filtro reduce cualquier otro sabor u olor no deseados antes de usar el agua.

Estos sistemas incluyen una ensambladura de grifo electrónico con un recordatorio de cambio de pre-filtro y post-filtro, recordatorio de cambio de membrana del sistema de Ósmosis Inversa y un recordatorio del estado del sistema.

El recordatorio de cambio del pre-filtro y post-filtro se encenderá de forma intermitente en una luz ámbar después de que hayan transcurrido 6 meses o se hayan usado 900 galones. Cuando esto ocurra, es el momento de reemplazar los cartuchos y desinfectar el sistema.

El recordatorio de cambio de membrana se enciende de forma intermitente en una luz ámbar cuando el monitor de TDS en el sistema ha medido que la cantidad de impurezas retiradas es inferior al 75%. Cuando esto ocurre, es el momento de reemplazar este cartucho de membrana de Ósmosis Inversa y desinfectar el sistema.

Finalmente, una luz verde intermitente indicará que el sistema está funcionando correctamente.

Operación

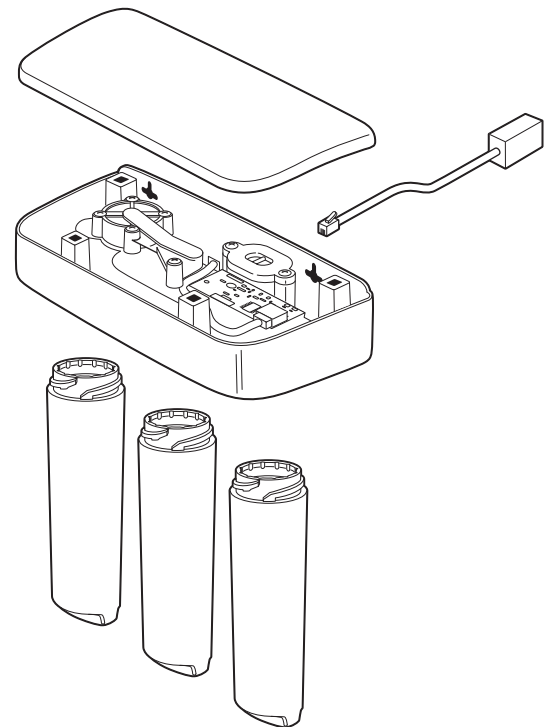
Descripción del sistema de Ósmosis Inversa

1 Pre-filtro—El agua de la tubería de suministro de agua fría llega al cartucho del pre-filtro. El pre-filtro es un cartucho de sedimentos reemplazable que contiene carbono activado. El pre-filtro reduce el cloro en el agua de alimentación ya que el **CLORO DESTRUYE LA MEMBRANA DEL SISTEMA DE ÓSMOSIS INVERSA**. El agua filtrada, limpia, con cloro reducido fluye desde el pre-filtro hacia el cartucho del sistema de Ósmosis Inversa.

2 Cartucho del sistema Ósmosis Inversa—El cartucho central incluye una membrana especial fuertemente envuelta. El agua penetra a través del cartucho donde la membrana retira los sólidos disueltos y la materia orgánica. Consulte la Hoja de datos de desempeño para la reducción de afirmaciones especificadas. El agua producida de alta calidad sale de la caja del sistema de Ósmosis Inversa y se dirige hacia el tanque de almacenamiento. El agua rechazada, con los sólidos disueltos y la materia orgánica, sale de la caja y se descarga en el drenaje a través de un tubo de 1/4".

3 Post-filtro—Después de salir del área de almacenamiento, pero antes de ir hacia el grifo del sistema, el agua producida va hacia el post-filtro. El post-filtro es también un cartucho de sedimento que puede ser reemplazado que contiene carbono activado. Cualquier sabor, olor o sedimentos restantes son retirados del agua producida por el post-filtro. Agua limpia, de alta calidad, lista para tomar fluye a través del tubo hacia el grifo del sistema.

4 Tanque de almacenamiento—El área de almacenamiento tiene capacidad hasta de 2,5 galones de agua producida. Un diafragma al interior del tanque mantiene el agua presurizada, cuando el tanque está lleno, para un rápido flujo hacia el grifo cuando se necesite consumir agua.

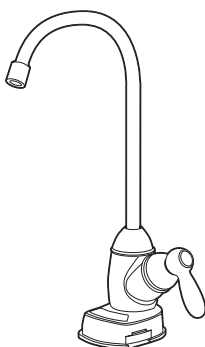


Instalación

Solucionar problemas

Soporte al consumidor

- 5 Válvula de revisión**—La válvula de revisión evita un flujo inverso del agua producida desde el tanque de almacenamiento. Un flujo inverso podría causar que la membrana del sistema de Ósmosis Inversa se rompiera.
- 6 Válvula de apagado automático**—Para conservar el agua, el sistema de agua de consumo tiene un apagado automático. Cuando el tanque de almacenamiento ha llenado su capacidad y el grifo de agua de consumo está cerrado, la presión cierra el apagado automático. El flujo de agua hacia la caja del sistema de Ósmosis Inversa se apaga hasta que el agua de consumo se use nuevamente y la presión caiga en el sistema de Ósmosis Inversa.
- 7 Control del flujo**—El control del flujo regula el flujo de agua a través del cartucho del sistema de Ósmosis Inversa al ritmo requerido para producir agua de alta calidad. El control está ubicado en la tubería de drenaje de 1/4" saliendo del múltiple.
- 8 Grifos y electrónicos**—El grifo de la encimera dispensa agua potable filtrada cuando se abre. Tiene una palanca operada con las manos, con un ajuste de flujo variable. Usted puede mantener el grifo abierto removiendo sus manos de la palanca una vez el agua comience a fluir. Para cumplir con los códigos de plomería, se construye una tolerancia o huelgo de aire en la conexión de agua del drenaje del grifo.



El grifo electrónico incluye un temporizador de 6 meses y un monitor de flujo para recordarle cuando es el momento de reemplazar el pre-filtro y el post-filtro. Reemplácelos cuando la luz ámbar del filtro se torne intermitente. El grifo también incluye una luz ámbar que indica cuando el cartucho de Ósmosis Inversa ya no está filtrando al menos el 75% de los sólidos totales disueltos (TDS). Reemplace este cartucho cuando la luz ámbar se torne intermitente. La luz verde intermitente le indicará que el sistema está funcionando correctamente.

Instrucciones de instalación

Sistema de filtración de agua

Modelo PNRQ20FBL, PNRQ20FWW,
PNRQ20FBB, PNRQ20FCC

Si tiene preguntas, llame al 1.800.GE.CARES (800.432.2737) o bien visite nuestra página Web: ge.com

⚠ ADVERTENCIA: Lea este manual en su totalidad. No seguir toda la página norma podrá causar lesiones personales o daños a la propiedad.

- Consulte con la autoridad de obra pública estatal/local para el código de plomería. Deberá seguir la página para instalar el sistema de filtración de agua.

NOTA: No cumplir con esta instrucción de instalación invalida la garantía del producto, el instalador será responsable por cualquier error, reparación o daño causado.

HERRAMIENTAS Y MATERIALES REQUERIDOS PARA LA INSTALACIÓN

- Taladro y broca de 1-1/4" para taladro (tipo según el requerido) si se necesita montar el grifo
- Dos (2) llaves abiertas ajustables
- Broca de 1/16"
- Cinta de medir
- Destornillador Phillips y recto
- Cuchillo
- Si la tubería principal del agua es rígida, necesitará un accesorio de compresión y posiblemente otros equipos de plomería para completar la instalación.

⚠ PRECAUCIÓN: Para evitar daños al lavaplatos, consulte con un plomero o instalador calificado para los procedimientos de perforación. Podría necesitar brocas especiales para porcelana o acero inoxidable.

ANTES DE EMPEZAR LA INSTALACIÓN

Lea esta instrucción completa cuidadosamente.

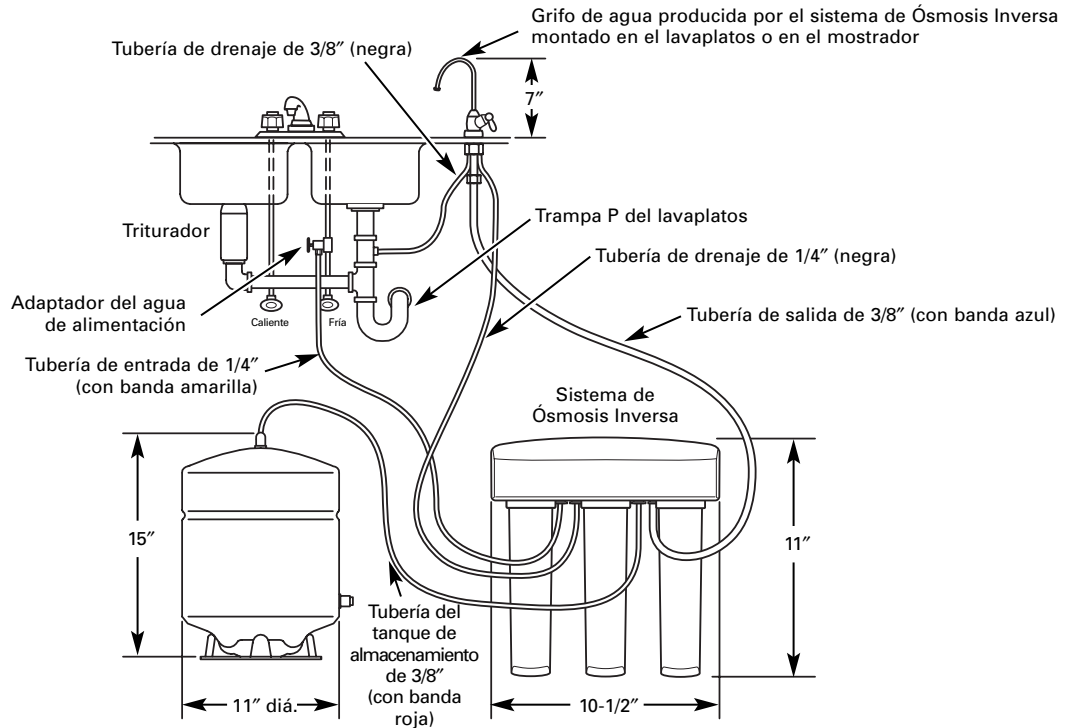
- **IMPORTANTE** Guarde estas instrucciones para uso del inspector local.
- **IMPORTANTE** Observe todos los códigos y ordenanzas vigentes.
- **Nota al instalador** Asegúrese de dejar estas instrucciones al consumidor.
- **Nota al consumidor** Conserve estas instrucciones para consultas posteriores.
- La instalación apropiada es la responsabilidad del instalador.
- Las averías del producto causadas por una instalación inadecuada no están cubiertas por la garantía.
- Debe existir una válvula de cierre disponible o se debe agregar una cerca al punto de instalación.

CONTENIDOS INCLUIDOS CON EL PRODUCTO

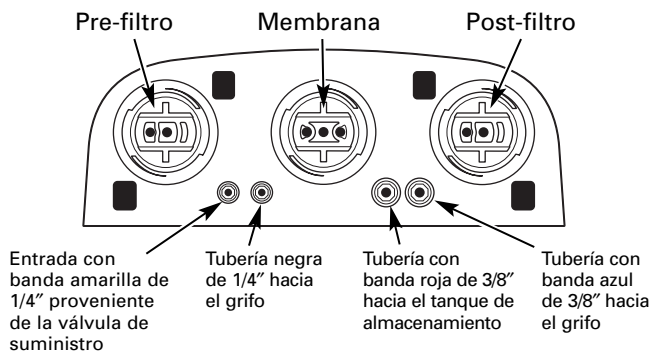
- Ensamblaje del sistema de Ósmosis Inversa y tubería
- Literatura sobre el producto (manual del propietario e instalación) y hoja de datos funcionamiento
- Bolsa de partes de la entrada del suministro de agua
- Adaptador de agua de alimentación y válvula de suministro
- Ensambladura del grifo con monitor electrónico de base y tubos
- Tanque de almacenamiento
- Adaptador de la tubería de drenaje

Instalación de inversión

Consejos para preparar la instalación



DETALLE DE LOS TUBOS/FILTRO



AGUA DE ALIMENTACIÓN

El suministro de agua hacia el sistema de Ósmosis Inversa debajo del mostrador debe tener las condiciones enumeradas en las especificaciones. Los suministros de agua locales con frecuencia tendrán estas condiciones. El agua de pozos puede necesitar acondicionamiento—haga que el agua sea analizada por un laboratorio y obtenga sus recomendaciones para tratamiento.

PRECAUCIÓN: Para aguas con una dureza mayor a 10 granos (a 6,9 pH), se recomienda el uso de un descalcificador. No instalar un descalcificador reducirá la vida del cartucho del sistema de Ósmosis Inversa.

CONEXIÓN DEL DRENAJE DE FILTRACIÓN

Un punto de drenaje adecuado y un vacío de aire (con **el código local**) serán necesarios para el agua rechazada del cartucho de la membrana del sistema de Ósmosis Inversa.

GRIFO DEL SISTEMA DE OI

El grifo del agua producida por el sistema de Ósmosis Inversa se instala en el lavaplatos o en la parte superior del mostrador al lado del lavaplatos. Con frecuencia se instala en un orificio existente en el lavaplatos. Se requiere espacio en la parte de abajo para la tubería hacia y desde el grifo, y para asegurar el grifo en su lugar. Todos los conexiones del grifo se instalan sobre o por encima del lavaplatos o mostrador.

INSTALACIÓN EN SÓTANO

Si se va a instalar en un sótano, deje suficiente tubería en su lugar durante la instalación para poder mover la unidad hacia el piso para mayor facilidad en el servicio y hacer cambios al filtro/membrana. Tubería y accesorios adicionales se necesitarán.

NOTA: Consulte el catálogo de partes en la página 79 que podrían ser necesarias para una instalación en el sótano.

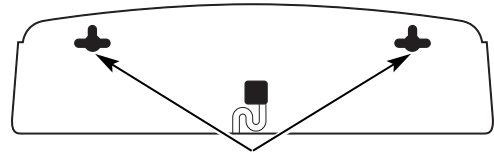
ENSAMBLADURA DEL SISTEMA DE ÓSMOSIS INVERSA

INSTALACIÓN DEL SISTEMA DE MONTAJE

Elija una ubicación debajo del lavaplatos para instalar el sistema. La ubicación debe ser de fácil acceso, con el espacio necesario entre el fondo de los cartuchos de filtro y el piso o el fondo del gabinete para retirar los cartuchos del filtro. Deje suficiente espacio en ambos lados del sistema para las conexiones de los tubos.

1. Retire los cartuchos de pre-filtro y post-filtro.
2. Retire la tapa de la ensambladura desenganchando las 4 pestañas en la tapa que la unen al sistema.
3. Use un destornillador de cabeza plana para trabajar de izquierda a derecha desde la parte inferior lateral del sistema.
4. Use los símbolos en la parte inferior del sistema para encontrar la posición del destornillador.

5. Sostenga la ensambladura del sistema de Ósmosis Inversa en la superficie de la pared en donde lo quiera a instalar. Marque la ubicación de los tornillos. Debe haber un espacio mínimo de 17" entre las marcas y el fondo del piso del gabinete.



Ubicación de los tornillos

PRECAUCIÓN: No permita que la electricidad entre al área de la ensambladura. Use esto para marcar la ubicación de los orificios de montaje.

6. Instale los tornillos hacia la pared, dejando un espacio de 3/16" entre la cabeza del tornillo y la pared (perfore orificios piloto si son necesarios)



7. Cuelgue la ensambladura del sistema de Ósmosis Inversa en los tornillos. Apriete o afloje los tornillos según lo desee hasta que el sistema esté firme en la pared.
8. Para instalar la tapa, alinee las pestañas delanteras de la tapa con las aberturas en el sistema.
9. Encaje la tapa en su lugar; las pestañas se flexionarán permitiendo que la tapa encaje correctamente.
10. Retire el cartucho de membrana.

SUMINISTRO DE AGUA DE ALIMENTACIÓN

Reemplace con el código local de plomería al planear, luego instale un accesorio de suministro de agua de alimentación fría.

A. INSTALACIÓN PREFERIDA

Utilizando la válvula existente de suministro de agua del lavaplatos de la cocina (A) y la tubería desmontable del grifo (B).

1. Consulte la ilustración a continuación para la ensambladura completa dependiendo del tamaño de la válvula de suministro (A).
2. Cierre la válvula de suministro de agua fría (A) debajo del tanque.
3. Destornille la tubería flexible (B) de la válvula de suministro (A) que se conecta con la tubería de subida del agua FRÍA.

NOTA: Para tubería rígida, consulte C. *Instalación opcional* en la página 64.

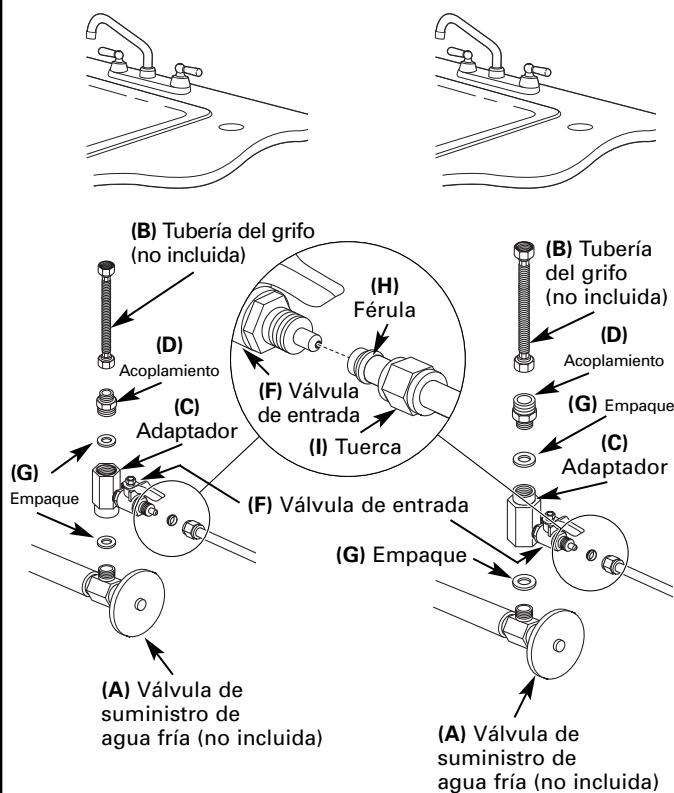
Nota de la orientación del adaptador (C):

Instalación de 3/8"—El extremo redondeado del adaptador (C) se conecta con la válvula de suministro (A).

Instalación de 1/2"—El extremo redondeado del adaptador (C) se conecta al acoplamiento (D), luego a la tubería existente del grifo (B).

Para plomería de 3/8"

Para plomería de 1/2"



4. Ensamble el adaptador (C) y el acoplamiento (D) como se muestra en la ilustración de la izquierda, según su configuración. Verifique que el empaque (G) esté en su lugar antes de la ensambladura final. Empiece la instalación a mano, luego termine de apretar con una llave ajustable. **Tenga cuidado de no apretar en exceso o cortar la rosca a que se podrá dar.**
5. Apriete a mano el adaptador ensamblado (C) en la válvula de suministro (A) para la instalación del tamaño correcto. Cerciérese de que el empaque (G) esté en su lugar antes de la ensambladura final. Empiece la instalación a mano, luego termine de apretar con una llave ajustable. **Tenga cuidado de no apretar en exceso o cortar la rosca a que se podrá dar.**
6. Vuelva a conectar la tubería del grifo (B), en la parte superior del adaptador (C).

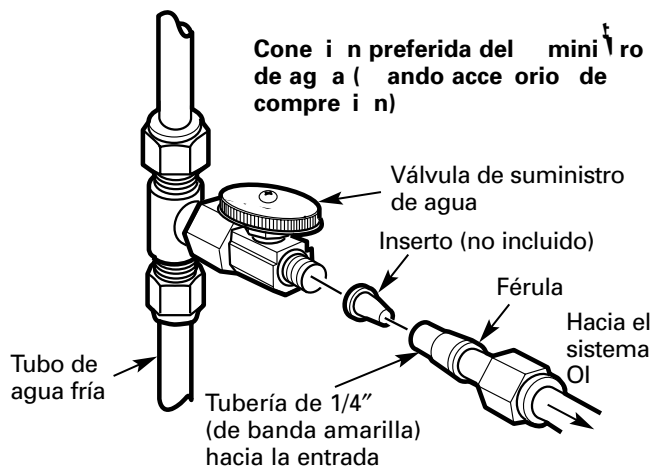
NOTA: Si es necesario retirar la válvula de entrada (F) para la instalación, consulte la sección E. *Cómo retirar y volver a instalar la válvula de entrada* en la página 65.

7. Corte las ataduras en los rollos de tubería con cuidado de no dañar los tubos o las partes si utiliza un cuchillo.
8. Retire la tuerca de 1/2" (I) y la férula (H) del extremo de la válvula de entrada. Usando la tubería de banda amarilla que se suministra, coloque la tuerca (I) y la férula (H) en la tubería e instale en la válvula de entrada (F) como se muestra a la izquierda. Apriete con la llave ajustable. **Tenga cuidado de no apretar en exceso o cortar la rosca a que se podrá dar.**

NOTA: Inspeccione los extremos de las tuberías antes de la instalación para verificar que no haya imperfecciones y que el extremo de la tubería se corte recto. Podría ser necesario cortar la tubería nuevamente.

D. INSTALACIÓN EN UNA UBICACIÓN REMOTA (requiere parte adicional)

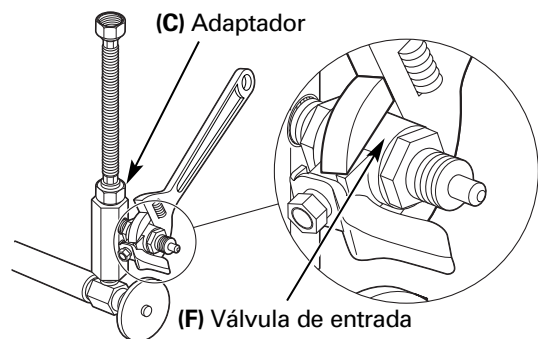
1. Cierre el suministro de agua fría.
2. En cumplimiento con los códigos de plomería, instale un accesorio en el tubo de agua fría para adaptar una tubería de 1/4" DE. En la ilustración abajo se muestra una conexión típica. Verifique que se utiliza una válvula de suministro de agua.
3. Si la unidad de Ósmosis Inversa se va a instalar a más de 6 pies de la válvula, reemplace la tubería con banda amarilla con tubería GE de mayor longitud de 1/4". Puede adquirir una longitud de 33 pies de tubería de 1/4" a través de Partes y Servicios de GE en el 1.800.626.2002, número de parte WS07X10018. **NO REEMPLACE CON TUBERÍA DE CALIDAD DESCONOCIDA.**
4. Si la unidad de Ósmosis Inversa se va a instalar a más de 6 pies del grifo, reemplace la tubería con banda azul con tubería GE de mayor longitud de 3/8". Puede adquirir una longitud de 33 pies de tubería de 3/8" a través de Partes y Servicios de GE en el 1.800.626.2002, número de parte WS07X10019. Consulte la sección Instalación del grifo en la página 67 para mayores detalles. **NO REEMPLACE CON TUBERÍA DE CALIDAD DESCONOCIDA.**



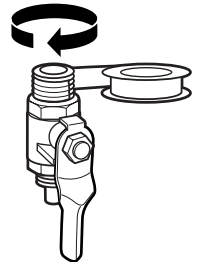
Si está utilizando tubería de cobre, **NO** los conecte directamente en la unidad de Ósmosis Inversa. Adquiera un conector y utilice una longitud corta de la tubería con banda amarilla que se suministra para hacer la conexión final hacia el sistema de Ósmosis Inversa. No utilice tubería de cobre para conectar a la máquina de hielos o al grifo.

E. CÓMO RETIRAR Y VOLVER A INSTALAR LA VÁLVULA DE ENTRADA (se requiere únicamente la llave de entrada y debe referirse a la página 67)

1. Retire la válvula de entrada (F) del adaptador (C) usando una llave ajustable en el cuerpo de la válvula. Vea los detalles en la siguiente ilustración. **NO USE UNA LLAVE EN EL EXTREMO DE LA TUERCA HEXAGONAL DE LA VÁLVULA YA QUE PODRÍA OCASIONAR FUGAS.**



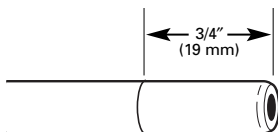
2. Retire toda la cinta sellante de la válvula de entrada (F) y roscas del adaptador (C).
3. Apriete a mano el adaptador (C) ensamblado en la válvula de suministro (A) para la instalación del tamaño correcto. Verifique que los empaques (G), como se muestra en la página 67, estén en su lugar antes de la ensambladura final. Termine de apretar con una llave ajustable. **Tenga cuidado de no apretar en exceso o crear la rosca, ya que se podrían dañar.**
4. Con una cinta sellante blanca de rosca que se incluye, aplique aproximadamente nueve vueltas de cinta alrededor de las roscas grandes en la válvula de entrada (F) en la dirección del reloj, como se muestra.
5. Apriete a mano la válvula de entrada (F) en el adaptador (C), luego termine de apretar con una llave ajustable. **NO USE UNA LLAVE EN EL EXTREMO DE LA TUERCA HEXAGONAL DE LA VÁLVULA YA QUE PODRÍA OCASIONAR FUGAS.**



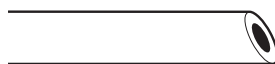
INSTALACIÓN DE TUBERÍA Y LIMITADOR DEL FLUJO

CÓMO INSTALAR LA TUBERÍA AL TANQUE Y AL GRIFO

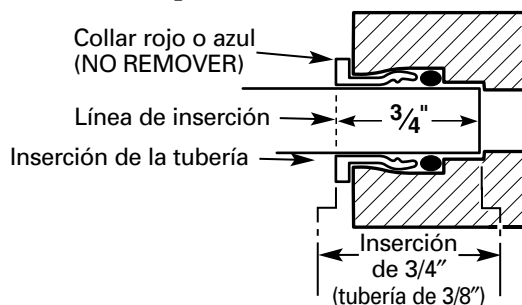
1. Mida 3/4" a partir del extremo de cada pedazo de tubería restante (el extremo del grifo y el extremo de entrada) y marque con un lápiz. (Inspeccione y cerciórese de que la superficie está redonda, suave, y que no hay cortes, pinchaduras, rebabas cortantes y puntos planos).



INCORRECTO



2. Empuje la tubería con firmeza hacia cada accesorio en el colector hasta que la línea esté al ras con el collarín de ajuste. (Si la tubería se remueve, corte el extremo otra vez, midiendo, marcando y reinsertando). La tubería debe estar totalmente insertada para evitar fugas. **Para remover la tubería: depreione o ponga depreionado el collar rojo o azul; tire del tubo para remover.**



3. Tire de la tubería hacia afuera ligeramente para asegurarse de que existe un buen sello.

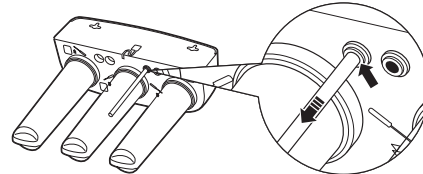
PROCEDIMIENTO DE REEMPLAZO DEL LIMITADOR DEL FLUJO

Cada vez que el cartucho de Osmosis Inversa se cambia, usted necesitará reemplazar el limitador del flujo en la tubería de drenaje también.

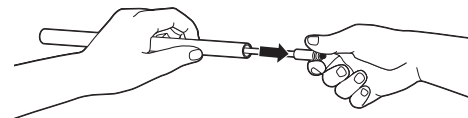
Asegúrese de lavarse las manos antes de manejar partes internas del sistema.

PROCEDIMIENTO DE REEMPLAZO DEL LIMITADOR DEL FLUJO (cont.)

1. Remueva la tubería de drenaje empujando en el collar de la tubería de drenaje con una mano (1) y removiendo la tubería de drenaje con la otra mano (2).



2. Una vez la tubería de drenaje se haya removido de la base del sistema, agarre el extremo del limitador del flujo y tire de él directamente hacia afuera a partir de la tubería*. Si el limitador es difícil de remover a mano, es posible que usted necesite pinzas para agarrar el extremo del limitador y auxiliarse en extraerlo.



*En algunos casos, el limitador podría deslizarse hacia afuera de la tubería de drenaje conforme se remueve del portal de la tubería de drenaje. Si, después de remover la tubería de drenaje como se describe en el Paso 1, el limitador ya no está en el extremo de la tubería, inspeccione el portal de la tubería de drenaje. Remueva el limitador del portal y proceda al Paso 3.

3. Tome el limitador nuevo y deslícelo de regreso en la tubería de drenaje. Inserte el limitador usando sus manos solamente. No use pinzas para insertarlo. Asegúrese de insertar el limitador hasta el máximo. No hacerlo podría resultar en una operación inapropiada del sistema OI.



4. Reinstale la tubería de drenaje en la base del sistema. Tire ligeramente de la tubería para asegurarse de que el collar está ajustado y que existe un agarre apropiado en la tubería.

ENSAMBLADURA DEL GRIFO

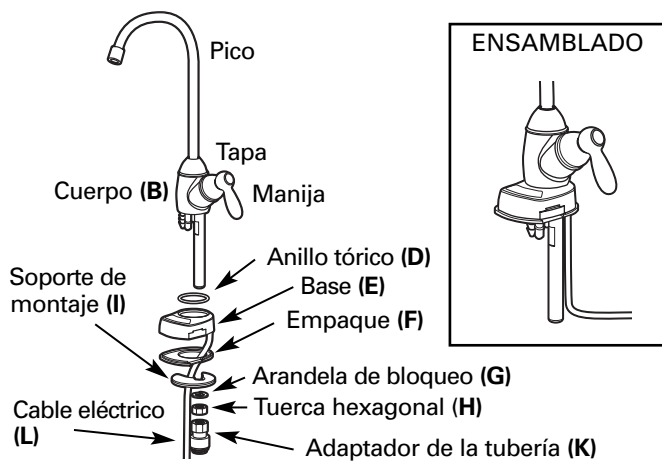
INSTALACIÓN DE MONTAJE DEL GRIFO

Asegúrese de que haya espacio debajo del lavaplatos para hacer las conexiones necesarias. Seleccione uno de los siguientes lugares para instalar el grifo:

- En un accesorio existente para rociar, en el lavaplatos u orificio para dispensar jabón.
- En un orificio a perforarse en la parte superior del lavaplatos.
- En un orificio a perforarse en el mostrador, al lado del lavaplatos.

NOTA: Asegúrese de que la base del grifo quede plana contra la superficie en la ubicación seleccionada de manera que el empaque selle.

1. Si es necesario, perfora para hacer un orificio de 1-1/4" de diámetro. **Cerciore e de seguir el procedimiento correcto para perforar porcelana o acero inoxidable. Podrían ser necesaria broca especial. Consulte con un plomero calificado el procedimiento correcto.**
2. Retire de la envoltura el grifo, el aro tórico delgado (D), la base del grifo (E), el empaque (F) de la base del fondo, la arandela de bloqueo (G), la tuerca hexagonal (H) y el soporte de montaje (I).
3. Alimente la tubería de banda azul de 3/8" y negra de 1/4" (unido al sistema de Ósmosis Inversa) y la tubería negra de 3/8" (incluido en un empaque separado) a través del orificio de montaje en el lavaplatos o mostrador. Este paso podría necesitar de dos personas para armar. Consulte la página 68 para *Instalación opcional de la tubería del grifo por una sola persona.*
4. Introduzca los dos tuberías negras a través del empaque (F), la base del grifo (E) y el anillo tórico (D).



NOTA: Para facilidad de servicio y mantenimiento, mantenga la tubería de longitud suficiente de manera que remover el sistema de Ósmosis Inversa sea posible desde abajo del lavaplatos.

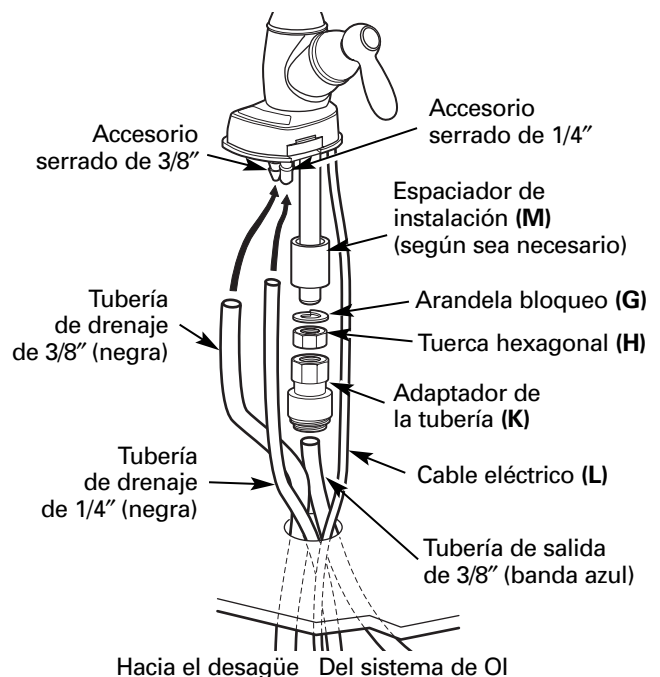
5. Empuje la tubería negra de 1/4" y 3/8" en sus respectivos accesorios serrados en el cuerpo (B).

NOTA: Para facilitar la inserción, sumerja los extremos de la tubería en agua caliente por unos cuantos minutos para que se suavice.

6. Acomode la base (E) y el cuerpo (B) juntos. Cerciórese de que el anillo tórico y el empaque estén en su lugar cuando la base se encuentre con el cuerpo. La manija del grifo estará en la posición de las 3 en el reloj con respecto a la base.
7. Deslice la arandela de bloqueo en el vástago roscado del cuerpo (B), luego enrosque la tuerca hexagonal (H) en el vástago. Atornille hasta la mitad.

NOTA: Si está instalando el grifo en un lavaplatos de acero inoxidable, deslice un espaciador de instalación (M) antes de la arandela de bloqueo.

8. Atornille el adaptador de tubería de punta azul (K) en el vástago enroscado del cuerpo (B).
9. Empuje la tubería de banda azul en el adaptador. Debe entrar alrededor de 3/4". Hale para verificar si está instalado correctamente.
10. Introduzca la tubería, el vástago y el cable eléctrico de nuevo por el orificio de 1-1/4".
11. Baje la ensambladura del grifo a su lugar en el orificio de instalación y oriente hacia la posición final. Coloque el soporte de montaje (I) encima de la arandela de bloque (G) alrededor del vástago del grifo. Mientras sostiene el soporte de montaje en su lugar apriete firmemente la tuerca hexagonal. Podrían ser necesarias dos personas para este paso.



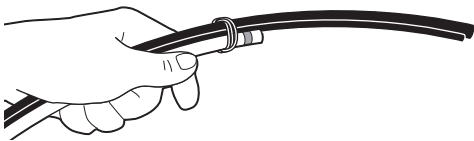
ENSAMBLADURA DEL GRIFO (cont.)

INSTALACIÓN OPCIONAL DE LA TUBERÍA DEL GRIFO POR UNA SOLA PERSONA

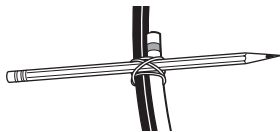
1. Desde la parte inferior del lavaplatos, reúna la tubería de drenaje (negra) de 1/4", la tubería de drenaje (negra) de 3/8" y la tubería de salida (con banda azul) de 3/8" en una mano con las tuberías de drenaje de la misma longitud y la tubería de salida corrida aproximadamente 6".



2. Envuelva un caucho o hule alrededor de los tres tuberías.



3. Inserte un lápiz No. 2 a través del caucho o hule.

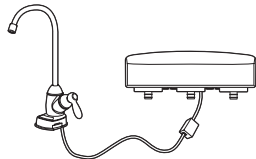


4. Rote el lápiz hacia abajo hasta que esté en línea con la tubería y empuje hacia arriba a través del orificio de montaje. Libere la presión sobre el lápiz y los tubos permanecerán en posición para una más fácil conexión del grifo.



INSTALACIÓN DEL CABLE ELÉCTRICO

Conecte el cable eléctrico desde el grifo al tomacorriente de unión en la ensambladura del sistema de Ósmosis Inversa.

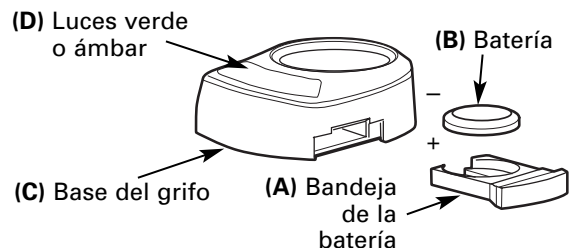


NOTA: Si se requiere un cable de extensión para una ubicación remota, este cable de extensión debe ser un cable de 6 conductores y conectores; un cable típico de 4 conductores no funcionará.

INSTALACIÓN DE LA BATERÍA

1. Use un destornillador pequeño de pala plana o moneda para retirar la bandeja de la batería (A) al lado de la base del grifo.
2. Instale una batería (B) de 3 voltios CR2032, con el lado positivo "+" hacia la parte inferior de la bandeja de la batería (A).
3. Deslice la bandeja en la base del grifo (C) hasta que el borde de la bandeja de la batería (A) esté nivelada con el costado de la base.
4. Cada luz se iluminará en secuencia dos veces. Al final, la luz OK (verde) o la luz del filtro (amarilla) pueden permanecer encendidas unos cuantos segundos adicionales. Si desea reiniciar la secuencia arranque, retire la batería por 90 segundos; el sistema electrónico necesita descargarse completamente. Luego coloque nuevamente la batería.
5. La luz de OK (verde) normalmente parpadea una vez por segundo cuando está dispensando agua. Las luces del filtro o RO (ámbar) parpadearán una vez por segundo cuando se esté dispensando agua si el sistema necesita que se le proporcione servicio. Si el sistema necesita servicio, las luces también parpadearán al azar cuando el sistema no esté siendo usado.

Para que las luces cambien entre OK y RO, el sistema deberá detectar un cambio en el proceso de filtración por 25 segundos consecutivos. Por ejemplo, si el sistema no estaba filtrando correctamente, la luz RO estaría parpadeando. Cuando el problema es corregido y el sistema está filtrando correctamente, los sistemas electrónicos esperarán por 25 segundos para confirmar los cambios antes de cambiar a la luz OK.



PARA CAMBIAR EL FILTRO: Reemplace la batería al cambiar el filtro. Retire la batería usada y espere como mínimo 90 segundos antes de instalar una nueva batería. Esto garantiza una reinicialización electrónica completa y una operación adecuada por lo menos para los próximos 6 meses.

CONEXIÓN DEL DRENAJE DE FILTRACIÓN

Reír e c mpla con todo lo c digo e a ale locale de plomer a.

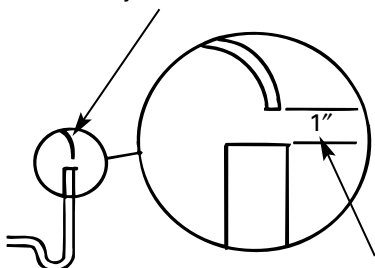
PRECAUCIÓN: La opción de allada a con in aci n on la NICAS config racione aprobada para in alaci n. No e ning n di po i o de mon ra de drenaje.

NOTA: No c mplr con e a in r ccione de in alaci n in alidar la garan a del prod o, el in alador er re pon able por c alq ier er cicio, reparaci n o da o ca ado .

INSTALACIÓN PREFERIDA: OPCIÓN A INSTALACIÓN DE ACCESO AL SÓTANO

Enrute la tubería de drenaje (negro, 1/4") DIRECTAMENTE desde el sistema de Ósmosis Inversa hacia una torre depósito en el sótano, pasando el vacío de aire provisto en el grifo. La instalación del vacío del aire se deja a discreción del instalador. El tubo de drenaje puede también ser enrutado en el sótano hacia un drenaje del piso o tina de lavar, siempre y cuando el vacío de aire en el sótano se mantenga. Existen accesorios especiales de vacío del aire para conectar el tubo de drenaje a la parte superior de la torre depósito.

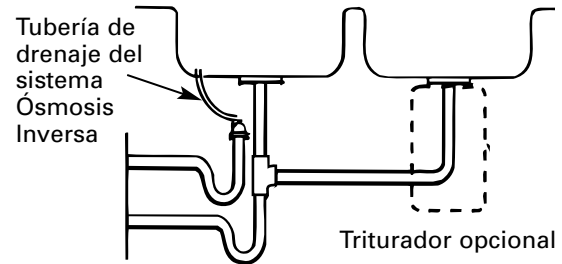
Tubería de drenaje del sistema de Ósmosis Inversa



Se debe mantener un espacio de aire mínimo de 1"

INSTALACIÓN PREFERIDA: OPCIÓN B INSTALACIÓN DE VENTILACIÓN SECA Y TRAMPA EN P

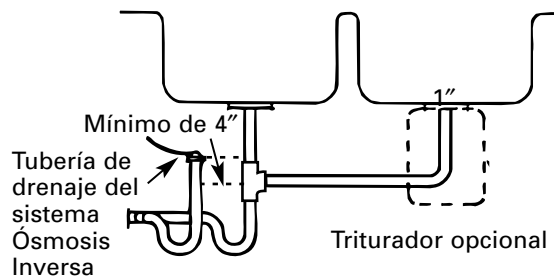
Instale una trampa en P con ventilación seca debajo del lavaplatos para usar exclusivamente en la tubería de drenaje del sistema de Ósmosis Inversa. Una trampa en P con ventilación seca es una que tiene su propia ventilación/ conducto vertical. Una el adaptador de la tubería de drenaje a la trampa en P y asegúrelo con la tuerca y arandela como se muestra. La tubería de drenaje se DEBE dirigir a través del vacío de aire dispuesto en el grifo de agua del sistema de Ósmosis Inversa.



CONEXIÓN DEL DRENAJE DE FILTRACIÓN (cont.)

INSTALACIÓN PREFERIDA: OPCIÓN C: INSTALACIÓN DE VENTILACIÓN HUMEDA Y TRAMPA EN P

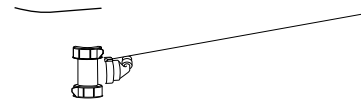
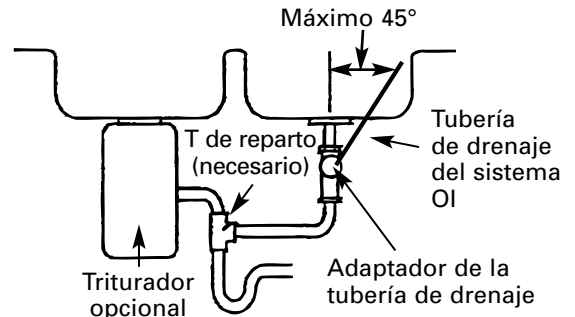
Instale una trampa en P debajo del lavaplatos para usar exclusivamente en la tubería de drenaje del sistema de Ósmosis Inversa. Una trampa en P con ventilación húmeda es una que comparte una ventilación común. Una el adaptador de la tubería de drenaje a la trampa en P y asegúrelo con la tuerca y arandela como se muestra. La tubería de drenaje se DEBE dirigir a través del vacío de aire dispuesto en el grifo



de agua del sistema de Ósmosis Inversa. Localice la trampa en P del sistema de Ósmosis Inversa lo más alto posible (mínimo 4" por encima de forma horizontal).

INSTALACIÓN SECUNDARIA: OPCIÓN D: INSTALACIÓN DEL ADAPTADOR DE LA TUBERÍA DE DRENAJE (cont.)

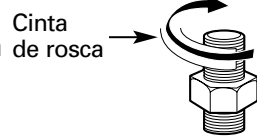
Instale el adaptador de la tubería de drenaje debajo del lavaplatos como se muestra (partes incluidas). Se debe instalar una T de reparto como se exhibe para evitar una obstrucción en la tubería de drenaje del sistema de Ósmosis Inversa. Dirija la tubería de drenaje desde el vacío de aire hacia el adaptador de la tubería de drenaje, asegurándose de que no haya caídas, vueltas o puntos bajos en la tubería. El adaptador de la tubería de drenaje se debe alinear verticalmente de manera que los puntos de conexión de la manguera estén hacia arriba (la conexión de la manguera nunca debe caer por debajo de los 45 grados de esta posición vertical). Esta instalación PODRÍA resultar en un ruido ligero del drenaje en el lavaplatos cuando el sistema de Ósmosis inversa esté regenerando. Si esto ocurre, simplemente coloque la tapa de drenaje del lavaplatos en el sumidero para eliminarlo.



TANQUE DE ALMACENAMIENTO Y ARRANQUE

INSTALACIÓN DEL TANQUE DE ALMACENAMIENTO

1. Retire la tapa protectora del tanque.
2. Aplique 2-3 vueltas de cinta, en dirección del reloj, a las roscas del tanque.



3. Instale los accesorios de presión para conectar en el accesorio enroscado del tanque como se muestra.

4. Empuje la tubería de banda roja de 3/8" desde el sistema de Ósmosis Inversa hacia el accesorio en el tanque de almacenamiento.



PROCEDIMIENTO PARA EL ARRANQUE DEL SISTEMA

PRECAUCIÓN: Si está instalando la unidad en una conexión nueva, verifique que la plomería de la casa esté completamente antes de abrir la llave de miniarro.

1. Verifique que todas las conexiones de la tubería estén seguras.
2. Encienda la válvula de suministro del agua de alimentación.
3. Verifique todos los puntos de conexión en busca de fugas.
4. Siga los procedimientos de desinfección de la página 73.
5. Después de completar la desinfección, vuelva a instalar el pre-filtro, post-filtro y cartuchos de Ósmosis Inversa.
6. La membrana contiene un preservativo de grado de alimentos. Permita que el sistema llene el tanque, luego drénelo completamente 4 veces antes de usar el agua del sistema.
7. Vuelva a revisar todos los puntos de conexión de agua unos días después en busca de fugas pequeñas.

Cuidado y limpieza del sistema de Ósmosis Inversa.

Seguridad

Operación

Instalación

Solucionar problemas

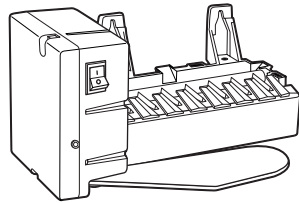
SopORTE al consumidor

Procedimiento de reemplazo del pre-filtro, post-filtro y cartucho de membrana del sistema de Ósmosis Inversa

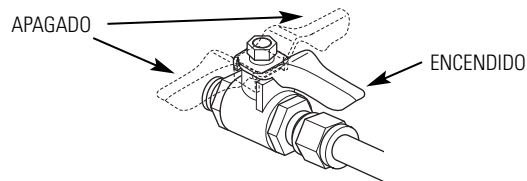
Cuando la luz ámbar del filtro en la base del grifo está intermitente, es el momento de reemplazar el pre-filtro y post-filtro. Esto ocurrirá cada seis meses.

Cerciórese de lavarse las manos antes de manipular partes interiores del sistema.

1. Apague la máquina de hielo (si está unida al sistema).

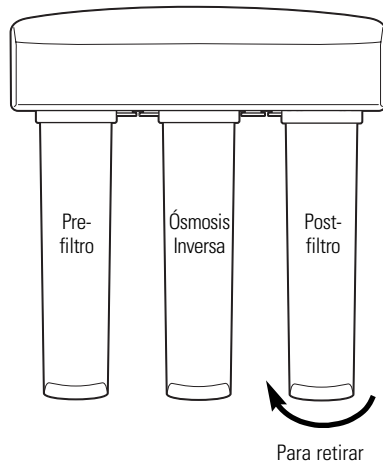


2. Apague el suministro de agua hacia el sistema.



3. Encienda el grifo hacia el tanque de drenaje (podría tomarse varios minutos). Cierre el grifo cuando el tanque esté vacío.

4. Retire el pre-filtro, post-filtro y el cartucho de Ósmosis Inversa rotando hacia la izquierda aproximadamente un tercio de giro.



5. Siga el procedimiento de *Cómo desinfectar el sistema de Ósmosis Inversa* en la página 73.

6. Retire el aluminio que viene encima de los nuevos cartuchos de reemplazo. Instale los nuevos cartuchos en el colector girando hacia la derecha aproximadamente un tercio de giro hasta que las marcas de alineación queden alineadas y los cartuchos paren. **NO APRIETE EN EXCESO.** Los cartuchos se levantarán a medida que giran.

NOTA: El prefiltro y posfiltro son idénticos. Usted puede instalar cualquier filtro en la posición de filtro o posfiltro. El cartucho de ósmosis inversa se instala en la posición central.

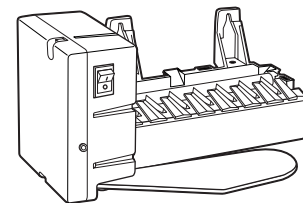
7. Encienda el suministro de agua para llenar el sistema (puede tomar hasta 4 horas). Revise en busca de fugas.

8. Retire la bandeja de la batería y reemplace la batería, con el lado positivo “+” hacia la parte inferior, para re-inicializar el temporizador y monitorear la función en la base del grifo (consulte la sección *Instalación de la batería* para el procedimiento correcto).

NOTA: Permita que transcurran como mínimo 90 segundos antes de instalar una nueva batería. Esto garantiza una reinicialización electrónica completa y una operación adecuada por lo menos para los próximos 6 meses.

9. Si únicamente el pre-filtro y el post-filtro se reemplazan, abra el grifo y desocupe el tanque de almacenamiento. Si el cartucho de membrana se reemplaza, llene y desocupe el tanque de almacenamiento un total de 4 veces. (Esto eliminará los preservativos de grado de alimentos contenidos en las nuevas membranas. Este preservativo le dará al agua un sabor y olor desagradables).

10. Una vez que el tanque de almacenamiento esté lleno, encienda la máquina de hielos.



NOTA: El sistema debe desinfectarse cuando se reemplace el cartucho de pre-filtro y post-filtro o el cartucho de Ósmosis Inversa. Siga el procedimiento *Cómo desinfectar el sistema de Ósmosis Inversa* en la página 73.

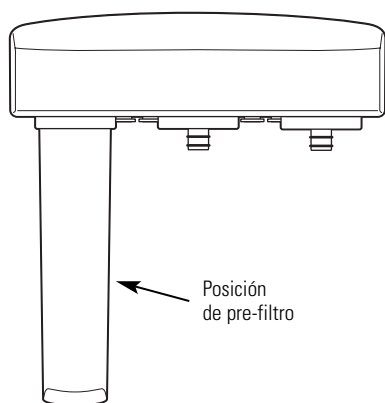
Cómo desinfectar el sistema de Ósmosis Inversa

Desinfecte el sistema en el momento de instalación del sistema de Ósmosis Inversa y después de realizar servicio a las partes internas, incluyendo el reemplazo del pre-filtro, post-filtro y el cartucho de membrana.

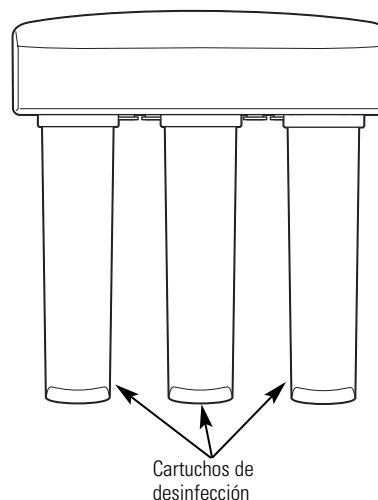
Cerciórese de lavarse las manos antes de manipular las partes internas del sistema.

⚠ PRECAUCIÓN: Antes de la desinfección, verifique que retiró todos los cartuchos. El cloro destruirá el cartucho de membrana de Ósmosis Inversa.

1. Siga los pasos del 1 al 4 en la sección *Procedimiento de reemplazo del pre-filtro, post-filtro y cartucho de membrana del sistema de Ósmosis Inversa*.
2. Llene el cartucho vacío marcado como “cartucho de desinfección” con agua hasta quedar a una pulgada de la abertura superior. Agregue una onza (2 cucharadas) de blanqueador casero común. Instale el cartucho en la posición del cartucho de pre-filtro girando hacia la derecha un tercio de giro aproximadamente, hasta que las marcas de alineación queden alineadas y el cartucho pare.



3. Instale los 2 cartuchos de desinfección adicionales en las aberturas en el colector para el cartucho de membrana y de post-filtro girando hacia la derecha un tercio de giro aproximadamente, hasta que las marcas de alineación queden alineadas y el cartucho pare.



4. Abra la válvula de agua. Abra el grifo hasta que el agua empiece a fluir, luego cierre el grifo. Deje que el sistema se llene por 10 minutos.
5. Abra el grifo y deje que el agua fluya por 20 minutos o hasta que el olor a blanqueador desaparezca. Cierre el suministro de agua nuevamente. Abra el grifo para drenar el sistema.
6. Una vez que el sistema se drene, cierre el grifo y retire los cartuchos girando hacia la izquierda un tercio de giro aproximadamente. Guárdelos en lugar seguro hasta que los necesite nuevamente.

Cuidado y limpieza del sistema de Ósmosis Inversa.

Para obtener filtros de repuesto, llame sin costo a Repuestos de electrodomésticos de GE al 800.626.2002 (EE.UU.), 800.663.6060 (Canadá-inglés), 800.361.3869 (Canadá-francés), o visite la tienda donde adquirió el sistema de Ósmosis Inversa.

Repuesto de cartucho pre-filtro/post-filtro FQROPF	Bloque de carbono
Repuesto de cartucho del sistema de Ósmosis Inversa FQROMF	Poliamida de película delgada

⚠ PRECAUCIÓN: Antes de poner en servicio el sistema de Ósmosis Inversa, cierre el suministro de agua/válvula de montura y abra el grifo de agua del sistema de Ósmosis Inversa. Permita que el sistema se drene.

Kit de prueba del agua

Para obtener un kit de prueba del agua de un laboratorio independiente, llame a Legend Technical Services al 1.800.826.8553 ext. 47 y deje sus datos para contactarlo. Ellos le contactarán para averiguar qué pruebas de agua le interesan, y le informarán sobre el costo de las pruebas. Luego recibirá un kit que incluye todas las pruebas necesarias para indicar correctamente el nivel de desempeño de su sistema. El agua del producto se debe someter a prueba como mínimo cada seis meses.

NOTA: Cuando la reducción de los sólidos totales disueltos (TDS) del sistema caiga por debajo del 75%, es el momento de reemplazar el cartucho de Ósmosis Inversa además del pre-filtro y post-filtro.



Consejos para la solución de fallas
¡Ahorre tiempo y dinero! Revise las tablas en las siguientes páginas primero y quizás no necesite llamar a solicitar un servicio.

Problema	Posible causas	Qué hacer
El agua tiene burbujas de aire y está turbia	Aire en el sistema después de la instalación.	<ul style="list-style-type: none"> Desaparecerá después de que el agua corra por un tiempo.
La luz ámbar del filtro en el base del grifo está intermitente	Han transcurrido 6 meses o se han usado 900 galones de agua. Esta es la vida máxima del pre-filtro y post-filtro.	<ul style="list-style-type: none"> Reemplace el pre-filtro, el post-filtro y la batería en el base del grifo.
La luz ámbar del sistema de Ósmosis Inversa está intermitente. NOTA: ignore los períodos cortos, ocasionales o iniciales de esta luz intermitente	Bajo uso del agua del sistema de Ósmosis Inversa.	<ul style="list-style-type: none"> Abra el grifo de agua del sistema de Ósmosis Inversa y deje que el sistema drene. Cierre el grifo de agua del sistema de Ósmosis Inversa y deje que el sistema regenere el suministro de agua.
	El cartucho del sistema de Ósmosis Inversa ya no elimina la cantidad requerida de sólidos totales disueltos.	<ul style="list-style-type: none"> Reemplace el cartucho del sistema de Ósmosis Inversa y el control del flujo.
	El suministro de agua hacia el sistema de Ósmosis Inversa no cumple con las especificaciones.	<ul style="list-style-type: none"> Aumente la presión del agua. Preacondicione el agua, etc., según sea necesario antes de realizar el mantenimiento en el sistema de Ósmosis Inversa.
	Se toma 25 segundos o la luz se vuelve intermitente para que la luz del sistema de Ósmosis Inversa pase a OK con agua buena filtrada.	<ul style="list-style-type: none"> Operación normal. Vea la descripción de la operación en la página 68.
Las luces indicadoras de la base del grifo no funcionan	El cable conductor de la base del grifo no está conectado al alambre del tablero principal del sistema electrónico.	<ul style="list-style-type: none"> Conecte.
	La batería no está instalada correctamente o está agotada.	<ul style="list-style-type: none"> Observe las marcas de orientación en la página 68 e instale correctamente. Reemplace la batería si está vieja.
	El cable conductor está dañado.	<ul style="list-style-type: none"> Inspeccione y repare según sea necesario.
	La batería está agotada.	<ul style="list-style-type: none"> Use batería nueva CR2032, de 3 voltios.
Luz ámbar del filtro encendida después de cambiar y reemplazar la batería	La parte electrónica no se reinició por completo cuando se reemplazó la batería.	<ul style="list-style-type: none"> Retire la batería por 90 segundos, luego vuelva a instalar.

Seguridad

Operación

Instalación

Solucionar problemas

Soporte al consumidor

Antes de llamar a solicitar servicio...

Seguridad



Consejos para la solución de fallas

Operación

Instalación

Solucionar problemas

SopORTE al consumidor

Problema	Posible causas	Qué hacer
Sabor y/u olor a cloro en el agua producida por el sistema de Ósmosis Inversa	El nivel de ppm de cloro en su suministro de agua supera los límites máximos y ha destruido la membrana del sistema de Ósmosis Inversa.	<ul style="list-style-type: none"> • Si el suministro de agua contiene más de 2,0 ppm de cloro, se necesita filtración adicional del suministro de agua hacia el sistema de Ósmosis Inversa. Corrija esta condición antes de hacer mantenimiento al sistema de Ósmosis Inversa.
	El pre-filtro ya no está retirando el cloro del suministro de agua.	<ul style="list-style-type: none"> • Reemplace el cartucho de la membrana, control del flujo, rejilla, pre-filtro, post-filtro y batería en el base del grifo del sistema de Ósmosis Inversa.
Otro sabor y/u olor	Agua producida de alta calidad puede tener un sabor diferente al que está acostumbrado.	<ul style="list-style-type: none"> • Esto es normal.
	Bajo uso de agua.	<ul style="list-style-type: none"> • Drene completamente el sistema y permita que se vuelva a llenar.
	Contaminación en almacenamiento del agua producida.	<ul style="list-style-type: none"> • Siga los procedimientos de desinfección.
	El pre-filtro, post-filtro y/o el cartucho deben ser cambiados.	<ul style="list-style-type: none"> • Reponga el pre-filtro y post-filtro. • Desinfecte el sistema.
Agua goteando del orificio del vacío de aire del grifo	El lado de drenaje del vacío de aire del grifo (tubería de 3/8") está obstruido, restringido o incorrectamente conectado hacia el punto de drenaje.	<ul style="list-style-type: none"> • Inspeccione y elimine obstrucciones o bloqueos. Es importante que no haya hundimientos, vueltas o caídas en la tubería de drenaje desde el vacío de aire del grifo hacia la tubería de drenaje. Consulte las Instrucciones de instalación para una conexión apropiada del drenaje. Si el adaptador de la tubería de drenaje se usó como el punto de drenaje, se recomienda una inspección/limpieza periódica.
El sistema produce el agua muy lentamente	Esto es normal.	<ul style="list-style-type: none"> • El ritmo de flujo del agua será inferior que el de su llave normal. • Para llenar el tanque necesitará 3-4 horas.
	El suministro de agua hacia el sistema Ósmosis Inversa no está dentro de las especificaciones.	<ul style="list-style-type: none"> • Aumente la presión del agua, precondicione el agua, etc., según sea necesario para adaptarse antes de hacer mantenimiento el sistema de Ósmosis Inversa.
	El cartucho de pre-filtro está obstruido con sedimentos.	<ul style="list-style-type: none"> • Reemplace el pre-filtro. Si el ritmo no aumenta, reemplace el post-filtro.
	El cartucho del sistema de Ósmosis Inversa está obstruido con sedimentos.	<ul style="list-style-type: none"> • Reemplace el cartucho del sistema de Ósmosis Inversa, control del flujo y la batería en la base del grifo.

Problemas ordinarias con reemplazo de los filtros o del cartucho de Ósmosis Inversa.

ge.com



Consejos para la solución de fallas

Problema	Posible causas	Qué hacer
No hay agua	La válvula de suministro de agua no está abierta.	<ul style="list-style-type: none"> Abra la válvula de suministro de agua. Consulte el diagrama en la página 65.
	Después del cambio de filtro, el tanque está vacío.	<ul style="list-style-type: none"> Se necesitan entre 3 y 4 horas para que el sistema de Ósmosis Inversa suministre suficiente agua para llenar el tanque.
Fugas en los accesorios	Instalados incorrectamente.	<ul style="list-style-type: none"> Vuelva a instalar. Consulte las instrucciones de instalación.
Sonidos que usted podría escuchar	Drenaje del lavamanos, agua de drenaje del sistema.	<ul style="list-style-type: none"> Esto es normal. La tubería de drenaje se puede instalar en un drenaje alternativo, como en un drenaje de sótano. Consulte las páginas 69 y 70 para configuraciones de drenaje alternativos.
	Vacío de aire en el grifo— el agua de drenaje fluye a través del vacío de aire en el grifo. Este podría estar asociado con la presión alta del suministro de agua, generalmente a 90 psi o mayor.	<ul style="list-style-type: none"> Instale un regulador de presión en su sistema de suministro de agua de la casa para reducir la presión por debajo de 90 psi. GE tiene un limitador del flujo para presión de agua alta (Consulte el artículo #31 en la lista de partes, página 79). Póngase en contacto con el Departamento de Partes de GE y pida un Limitador del flujo, de presión alta, Número de parte WS15X10049.

Seguridad

Operación

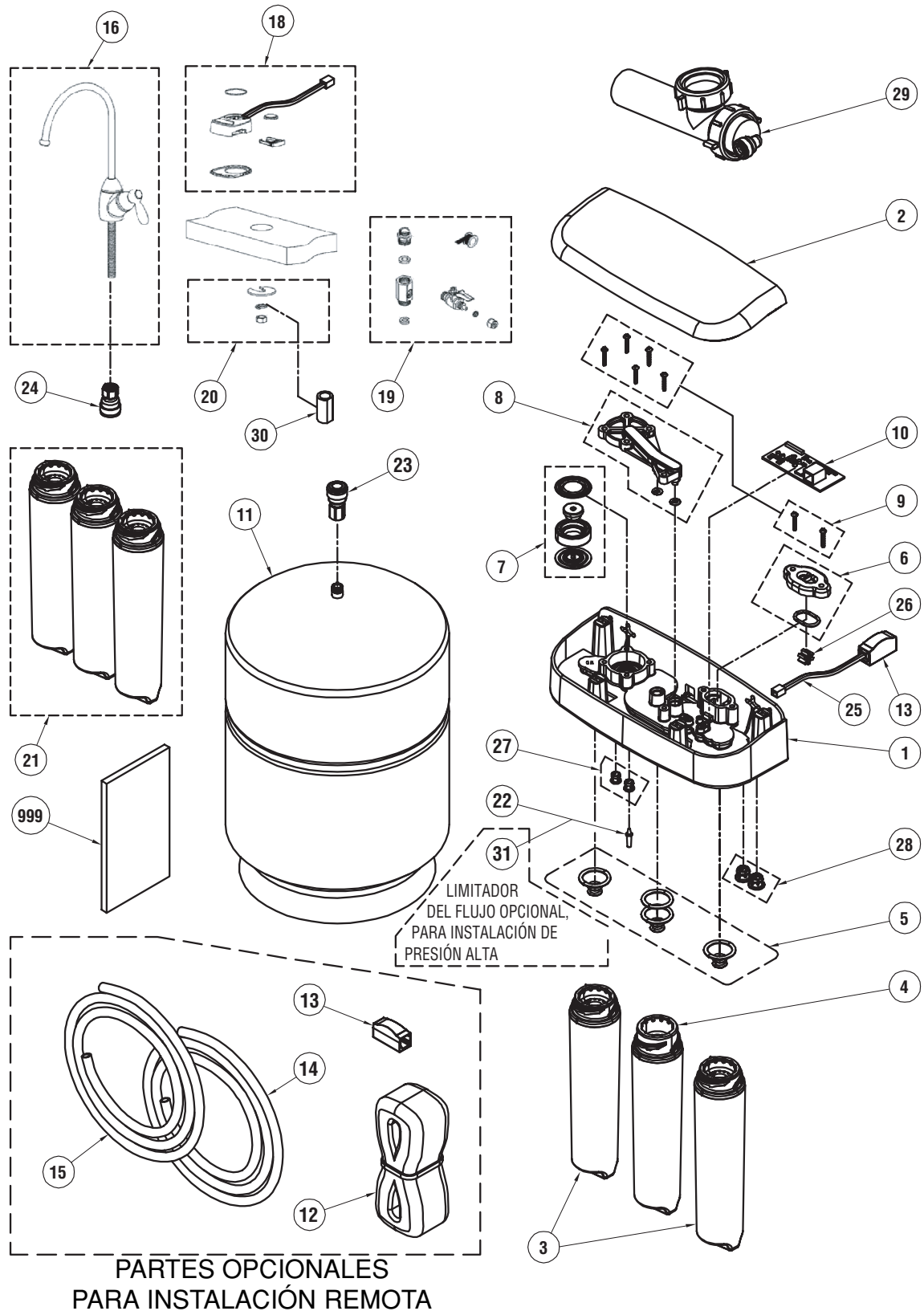
Instalación

Solucionar problemas

Soporte al consumidor

Lista de partes.

PNRQ20FBL, PNRQ20FWW, PNRQ20FBB, PNRQ20FCC



NO. REF.	PARTE NO.	DESCRIPCIÓN DE LA PARTE	QTY			
			P N R Q 2 0 F B L	P N R Q 2 0 F W W	P N R Q 2 0 F B B	P N R Q 2 0 F C C
0001	WS19X10022	ENSAMBLADURA DEL COLECTOR	1	1	1	1
0002	WS19X10018	TAPA	1	1	1	1
0003	FQROPF	JUEGO DE PRE- Y POST-FILTRO	1	1	1	1
0004	FQROMF	CARTUCHO DE ÓSMOSIS INVERSA	1	1	1	1
0005	WS03X10047	KIT DE ARO TÓRICO (4 GRANDES, 6 PEQUEÑOS)	1	1	1	1
0006	WS03X10048	TAPA DEL MEDIDOR DEL FLUJO Y ARO TÓRICO	1	1	1	1
0007	WS15X10040	ENSAMBLADURA DE LA VÁLVULA DE CIERRE	1	1	1	1
0008	WS10X10030	TAPA DE CIERRE Y ENSAMBLADURA DE LA BOLA DE RETENCIÓN	1	1	1	1
0009	WS02X10034	TORNILLOS, JUEGO DE 7	1	1	1	1
0010	WS06X10005	TABLERO DE CIRCUITOS	1	1	1	1
0011	WS32X10021	TANQUE DE ALMACENAMIENTO DE AGUA	1	1	1	1
0012	WS60X10009	CABLE TELEFÓNICO DE 6 PATAS— 25 PIES	-	-	-	-
0013	WS60X10010	CONECTOR DEL CABLE TELEFÓNICO	-	-	-	-
0014	WS07X10018	TUBERÍA, 1/4" DIA. X 33'—BLANCO	1	1	1	1
0015	WS07X10019	TUBERÍA, 3/8" DIA. X 33'—BLANCO	1	1	1	1
0016	WS15X10042	GRIFO, CROMO, ARCO ALTO	1	-	-	-
	WS15X10044	GRIFO, BLANCO, ARCO ALTO	-	1	-	-
	WS15X10043	GRIFO, NEGRO, ARCO ALTO	-	-	1	-
	WS15X10047	GRIFO, BEIGE, ARCO ALTO	-	-	-	1
0018	WS10X10031	BASE DEL GRIFO, CON CABLE— CROMO	1	-	-	-
	WS10X10033	BASE DEL GRIFO, CON CABLE— BLANCO	-	1	-	-
	WS10X10032	BASE DEL GRIFO, CON CABLE— NEGRO	-	-	1	-
	WS10X10034	BASE DEL GRIFO, CON CABLE— BEIGE	-	-	-	1
0019	WS18X10009	KIT ADAPTADOR DEL AGUA DE ALIMENTACIÓN	1	1	1	1
0020	WS02X10031	ARANDELA Y TUERCA—GRIFO	1	1	1	1
0021	WS35X10041	KIT DE DESINFECCIÓN	1	1	1	1
0022	WS15X10041	LIMITADOR DEL FLUJO	1	1	1	1
0023	WS22X10055	CONECTOR DEL TANQUE, TUBERÍA DE 3/8"	1	1	1	1
0024	WS22X10054	ACCESORIO DEL GRIFO, TUBERÍA DE 3/8"	1	1	1	1
0025	WS19X10019	PUENTE DEL CABLE TELEFÓNICO, 12 PULGADAS	1	1	1	1
0026	WS19X10020	IMPULSOR DEL MEDIDOR DEL FLUJO	1	1	1	1
0027	WS22X10052	BOQUILLA, 1/4" (JUEGO DE 2)	1	1	1	1
0028	WS22X10053	BOQUILLA, 3/8" (JUEGO DE 2)	1	1	1	1
0029	WS18X10006	ADAPTADOR DEL TUBERÍA DE DRENAJE	1	1	1	1
0030	WS02X10030	ESPACIADOR, MONTADO EN EL GRIFO	1	1	1	1
0031	WS15X10049	LIMITADOR DEL FLUJO, DE PRESIÓN ALTA	-	-	-	-
0999	49-50200	MANUAL DEL PROPIETARIO Y INSTALACIÓN	1	1	1	1

Notas.

Soporte al consumidor	Solucionar problemas	Instalación	Operación	Seguridad
------------------------------	-----------------------------	--------------------	------------------	------------------

Seguridad	Operación	Instalación	Solucionar problemas	Soporte al consumidor
------------------	------------------	--------------------	-----------------------------	------------------------------

Garantía del Sistema Ósmosis Inversa.

Seguridad



Todo servicio de garantía será proporcionado por un Proveedor de Servicio GE SmartWater™ autorizado. Para concertar una cita en línea, visítenos 24 horas al día a ge.com, o llámenos gratuitamente al 800.GE.CARES (U.S.) o al 866.777.7627 (Canadá). Cuando llame para solicitar servicio, por favor tenga a mano el número de serie y el número de modelo.

Grape aquí su recibo. Se requiere facilitar prueba de la fecha de compra original para obtener un servicio bajo la garantía.

Operación

Por el período de: **GE repondrá:**

Un año

A partir de la fecha de compra original

Cualquier parte del Sistema de Filtración de Ósmosis Inversa cuya falla se deba a un defecto material o de mano de obra. Durante esta **garantía limitada de un año**, GE también ofrecerá **sin costo**, toda la mano de obra y servicio relacionado para reemplazar las partes defectuosas.

Qué no cubrirá GE:

- Visitas de servicio hasta su casa para enseñarle cómo usar el producto.
- Instalación, entrega o mantenimiento incorrectos.
- Falla del producto si es abusado, mal utilizado, usado con un fin diferente al propósito pretendido o usado para fines comerciales.
- Uso de este producto donde el agua sea microbiológicamente insegura o de calidad desconocida, sin una desinfección adecuada. Los sistemas certificados para la reducción de quistes pueden ser usados en agua desinfectada que puede contener quistes filtrables.
- Cartuchos del filtro, cartuchos de la membrana y las baterías después de treinta días a partir de la fecha de la compra.
- Daño al producto causado por accidente, incendio, inundación o actos de Dios.
- Daños incidentales o consecuentes causados por posibles defectos con este aparato.

Instalación

EXCLUSIÓN DE GARANTÍAS IMPLÍCITAS—Su único y exclusivo derecho es la reparación del producto, tal y como se indica en esta Garantía limitada. Cualquier garantía implícita, incluyendo las garantías implícitas de comerciabilidad o adecuación para un fin determinado, están limitadas a un año o el período de tiempo más breve permitido por la ley.

Solucionar problemas

Esta garantía se extiende al comprador original y cualquier comprador posterior de productos comprados para uso residencial dentro de Estados Unidos. Si el producto está situado en un área que no dispone de servicio por parte de un proveedor de servicio autorizado de GE, podría tener que hacerse cargo de los costes de envío o bien podría solicitársele que lleve el producto a una centro de servicio de GE autorizado para realizar la reparación. En Alaska, la garantía excluye el costo de envío o las visitas de servicio a su casa.

Algunos estados no permiten la exclusión o las limitaciones de daños incidentales o consecuenciales. Esta garantía da derechos legales específicos, y usted podría tener otros derechos que variarán de estado a estado. Para saber cuáles son sus derechos legales, consulte a la oficina de asuntos del consumidor local o la oficina del Attorney General en su localidad.

Garante: General Electric Company. Louisville, KY 40225

Soporte al consumidor

Soporte al consumidor.



Página Web de GE Appliances

ge.com

¿Tiene alguna pregunta sobre su electrodoméstico? ¡Pruebe la página Web de GE Appliances 24 horas al día, cualquier día del año! Para mayor conveniencia y servicio más rápido, ya puede descargar los Manuales de los Propietarios, pedir piezas o incluso hacer una cita en línea para que vengan a realizar una reparación. También puede “Ask Our Team of Experts™” (Preguntar a nuestro equipo de expertos) sobre cualquier cuestión y mucho más...



Solicite una reparación

ge.com

El servicio de expertos GE está a tan sólo un paso de su puerta. ¡Entre en línea y solicite su reparación cuando le venga bien 24 horas al día cualquier día del año! O llame al 800.GE.CARES (800.432.2737) durante horas normales de oficina.



Real Life Design Studio (Estudio de diseño para la vida real)

ge.com

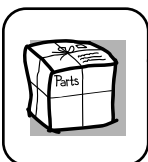
GE apoya el concepto de Diseño Universal—productos, servicios y ambientes que pueden usar gente de todas las edades, tamaños y capacidades. Reconocemos la necesidad de diseñar para una gran gama de habilidades y dificultades físicas y mentales. Para más detalles sobre las aplicaciones de GE Diseño Universal, incluyendo ideas de diseño para la cocina para personas con discapacidades, mire nuestra página Web hoy mismo. Para personas con dificultades auditivas, favor de llamar al 800.TDD.GEAC (800.833.4322).



Garantías ampliadas

ge.com

Compre una garantía ampliada y obtenga detalles sobre descuentos especiales disponibles mientras su garantía está aún activa. Puede comprarla en línea en cualquier momento, o llamar al (800.626.2224) durante horas normales de oficina. GE Consumer Home Services estará aún ahí cuando su garantía termine.



Piezas y accesorios

ge.com

Aquellos individuos con la calificación necesaria para reparar sus propios electrodomésticos pueden pedir que se les manden las piezas o accesorios directamente a sus hogares (aceptamos las tarjetas VISA, MasterCard y Discover). Haga su pedido en línea hoy, 24 horas cada día o llamar por teléfono al 800.626.2002 durante horas normales de oficina.

Las instrucciones descritas en este manual cubren los procedimientos a seguir por cualquier usuario. Cualquier otra reparación debería, por regla general, referirse a personal calificado autorizado. Debe ejercerse precaución ya que las reparaciones incorrectas pueden causar condiciones de funcionamiento inseguras.



Póngase en contacto con nosotros

ge.com

Si no está satisfecho con el servicio que recibe de GE, póngase en contacto con nosotros en nuestra página Web indicando todos los detalles así como su número de teléfono o escribanos a:

General Manager, Customer Relations
GE Appliances, Appliance Park
Louisville, KY 40225



Registre su electrodoméstico

ge.com

¡Registre su nuevo electrodoméstico en línea—cuando usted prefiera! El registrar su producto a tiempo le proporcionará, si surgiera la necesidad, una mejor comunicación y un servicio más rápido bajo los términos de su garantía. También puede enviar su tarjeta de registro pre-impresa que se incluye en el material de embalaje o recorte y use el formulario de este Manual del Propietario.

Consumer Support.



GE Appliances Website

In the U.S.: **ge.com**

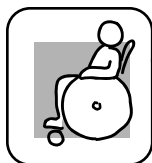
Have a question or need assistance with your appliance? Try the GE Appliances Website 24 hours a day, any day of the year! For greater convenience and faster service, you can now download Owner's Manuals, order parts, catalogs, or even schedule service on-line. You can also "Ask Our Team of Experts™" your questions, and so much more... **In Canada: www.geappliances.ca**



Schedule Service

In the U.S.: **ge.com**

Expert GE repair service is only one step away from your door. Get on-line and schedule your service at your convenience 24 hours any day of the year! Or call 800.GE.CARES (800.432.2737) during normal business hours. **In Canada, call 1.800.361.3400**



Real Life Design Studio

In the U.S.: **ge.com**

GE supports the Universal Design concept—products, services and environments that can be used by people of all ages, sizes and capabilities. We recognize the need to design for a wide range of physical and mental abilities and impairments. For details of GE's Universal Design applications, including kitchen design ideas for people with disabilities, check out our Website today. For the hearing impaired, please call 800.TDD.GEAC (800.833.4322).

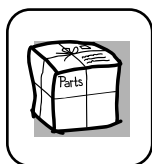
In Canada, contact: Manager, Consumer Relations, Camco, Inc.
Suite 310, 1 Factory Lane
Moncton, N.B. E1C 9M3



Extended Warranties

In the U.S.: **ge.com**

Purchase a GE extended warranty and learn about special discounts that are available while your warranty is still in effect. You can purchase it on-line anytime, or call 800.626.2224 during normal business hours. GE Consumer Home Services will still be there after your warranty expires. **In Canada, call 1.888.261.2133**



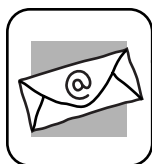
Parts and Accessories

In the U.S.: **ge.com**

Individuals qualified to service their own appliances can have parts or accessories sent directly to their homes (VISA, MasterCard and Discover cards are accepted). Order on-line today, 24 hours every day or by phone at 800.626.2002 during normal business hours.

Instructions contained in this manual cover procedures to be performed by any user. Other servicing generally should be referred to qualified service personnel. Caution must be exercised, since improper servicing may cause unsafe operation.

Customers **in Canada** should consult the yellow pages for the nearest Camco service center, or call 1.888.261.3055.



Contact Us

In the U.S.: **ge.com**

If you are not satisfied with the service you receive from GE, contact us on our Website with all the details including your phone number, or write to:

General Manager, Customer Relations
GE Appliances, Appliance Park
Louisville, KY 40225

In Canada: www.geappliances.ca, or write to: Director, Consumer Relations, Camco, Inc.
Suite 310, 1 Factory Lane
Moncton, N.B. E1C 9M3



Register Your Appliance

In the U.S.: **ge.com**

Register your new appliance on-line—at your convenience! Timely product registration will allow for enhanced communication and prompt service under the terms of your warranty, should the need arise. You may also mail in the pre-printed registration card included in the packing material, or detach and use the form in this Owner's Manual. **In Canada: www.geappliances.ca**