



EV9266-12

QC4 Single Head

Filter head exclusively for Everpure replacement cartridges

QC4 Single Head: EV9266-12



BENEFITS

- Commercial quality filter head is designed exclusively to fit Everpure filter cartridges
- Includes built-in water shut off valve
- Includes mounting bracket and screws
- Classic ring and skirt configuration
- Solid durable construction is ideal for foodservice and vending applications
- All wetted parts have passed NSF extraction tests
- Engineered for durability, strength and longevity
- Will not corrode

INSTALLATION TIPS

- Mounts directly onto flat surface
- Install vertically so cartridge hangs down
- Allow 2-1/2" clearance below the cartridge for easy cartridge replacement
- Flush filter by running water through filter according to cartridge instructions

OPERATION TIPS

- Change cartridges on a regular 6 month preventative maintenance program
- Change cartridges when capacity is reached or when pressure decreases
- Always flush the filter cartridge at time of installation and cartridge change

APPLICATION/SIZING

- For foodservice, vending and OCS applications
- Capacity: varies according to filter cartridge used

QC4 Single Head

SPECIFICATIONS

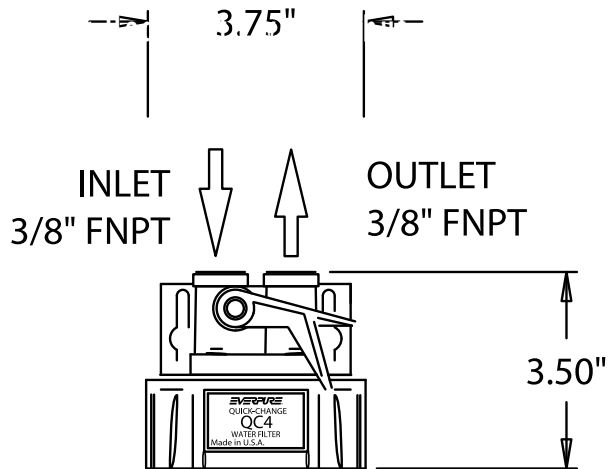
Dimensions:

3.5"H x 3.75"W x 4.5"D

No electrical connection required

Shipping Weight:

15 lbs. (12-pack)



WARRANTY

Everpure water treatment systems (excluding replaceable elements) are covered by a limited warranty against defects in material and workmanship for a period of five years after date of purchase. Everpure replaceable elements (filter cartridges and water treatment cartridges) are covered by a limited warranty against defects in material and workmanship for a period of one year after date of purchase. See printed warranty for details. Everpure will provide a copy of the warranty upon request.

EVERPURE®

Worldwide Headquarters:
EVERPURE, LLC
1040 Muirfield Drive
Hanover Park, Illinois 60133
Toll Free (800) 323-7873
Tel (630) 307-3000
Fax (630) 307-3030
<http://www.everpure.com>

In Europe:
Pentair Water Belgium B.V./B.A.
Industriepark Wolfstee
Toekomstlaan 30
B- 2200 Herentals
BELGIUM
TEL: +32.(0).14.283.500
FAX: +32.(0).14.283.505

In Japan:
Hashimoto MN Bldg. 7F
3-25-1 Hashimoto Sagamihara-Shi
Kanagawa 229-1103
JAPAN
TEL: 81.(0)42.775.3011
FAX: 81.(0)42.775.3015