

INSTALLATION AND OPERATING INSTRUCTIONS
CB20-124E FILTRATION SYSTEM

GENERAL PRECAUTIONS

Maximum Pressure: 20-100 psi non-stock (1.4-6.9 bar)

Temperature: 35-100°F (2-38°C)

Install On Cold Water Lines Only

Installation By a Certified Installer Is Recommended

Housing Inlet & Outlet: 3/4"

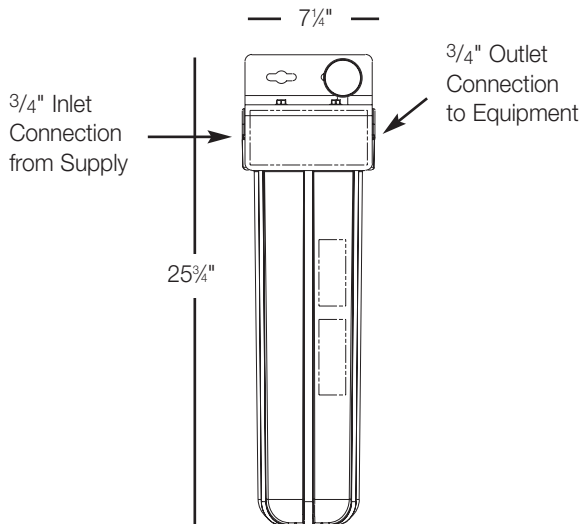
Rated service flow: 5 gpm (19 Lpm)

Do not install where unit is exposed to direct sunlight.

Allow a minimum of 4" clearance under the filter to facilitate cartridge change. Make certain that the installation complies with all state and local laws and regulations.

WARNING: This filter must be protected from freezing. Failure to do so may result in cracking of the filter and water leakage.

CB20-124E FILTRATION SYSTEM



Mounting Depth: 8.5"
 Operating Weight: 30 lbs.
 Allow a minimum of 4" clearance under the filter to facilitate cartridge change.

SYSTEM INSTALLATIONS

NOTE: Always use a good grade of pipe sealant or teflon[®] tape on connections.

1. Reduce product weight by removing bowl from header assembly before mounting unit.
2. Determine installation location using head assembly.
3. Assemble By-Pass, if using and install to head.
4. Install system brackets. Mount system.
5. Turn off water and power supply to all beverage equipment and icemaker.
6. Connect cartridge system to feed water supply, beverage systems, and icemaker.
7. Sanitize filter bowls using dilute (0.5%) household bleach solution, Diversol[™] or equivalent.
8. Handle cartridges by plastic wrap to minimize contact.
9. Lubricate "O-rings" with silicone lubricant and secure to system head. Hand tighten.
10. Cartridge Change and Flush Procedure:
 Insert the fresh cartridge into the clean bowl and screw the bowl into the head, hand tight only. Turn on water and flush cartridge for 15 minutes.
11. Close flushing valve and inspect for leaks.
12. Turn power to beverage equipment and icemaker back on.
13. Clean up and give final inspection.
14. Obtain Manager sign-off on work confirmation form.

REPLACEMENT CARTRIDGE

CC1E Carbon Filter

Replace cartridge when capacity is reached or pressure drops below 15 psi, but at least every 6 months.

1. Turn power off to beverage equipment.
2. Turn water off to CB20-124E system.
3. Unscrew bowl assembly from header, remove exhausted cartridge and discard. **CAUTION:** Bowl is heavy with water.
4. Unwrap new cartridge and place in bowl. Screw bowl into appropriate head on system.
5. Turn on water and flush cartridge for 15 minutes.

For assistance or to find the nearest dealer for replacement parts call:

Everpure Customer Service 1-800-323-7873

Everpure Technical Service 1-800-942-1153



System Tested and Certified by NSF International against NSF/ANSI Standard 42 for the aesthetic reduction of Chlorine Taste and Odor and Chloramine Reduction.

PERFORMANCE DATA

CB20-124E System Replacement Cartridge Kit EV9105-02

1- CC1E Replacement Cartridge (Gray end caps)

FEATURES

- Finely polishes treated water to premium quality for drinking and cooking.
- Reduces disinfectant chlorine taste & odor and chloramine taste & odor.
- Reduces common earthy, moldy, fishy tastes and odors.

AESTHETIC PERFORMANCE CERTIFIED BY NSF/ANSI*

This system has been tested according to NSF/ANSI 42 for the reduction of the substances listed below. The concentration of the indicated substances in water entering the system was reduced to a concentration less than or equal to the permissible limit for water leaving the system, as specified in NSF/ANSI 42.

Substance	Influent Challenge Concentration	Max. Permissible Product Water Concentration	Reduction Requirements	Average Reduction
Aesthetic Effects				
Chlorine	2.0 mg/L ± 10%		≥50%	98.3%
Chloramine	3.0 mg/L ± 10%	0.5 mg/L		98.3%

* Tested using Flow rate = 5.0 gpm; Pressure = 60 psig; pH = 9.0 ± 0.25; Temperature = 20°C ± 3°C

OPERATING SPECIFICATIONS

Capacity: 15,000 gallons (56,775 L)

Pressure requirement: 20 - 100 psi (1.4 - 6.9 bar), non-shock

Temperature: 35 - 100°F (2-38°C)

Flow Rate: 5 gpm (19 Lpm)

Operating Weight: 30 lbs.

GENERAL INSTALLATION/OPERATION/ MAINTENANCE REQUIREMENTS

- Mount system to wall studs 16" on center (spacing of mounting plate holes) on other surface capable of supporting 30 pounds when system is filled with water.
- Connect water supply to inlet of CB20-124E system.
- Connect outlet water to beverage equipment.
- After installing the CC1E cartridge, flush cartridge at full flow for 15 minutes.
- Replace cartridges when capacity is reached, or when pressure drops below 15 psi, or at least every 6 months.

SPECIAL NOTICES

- Installation instructions, parts and service availability, and standard warranty are included with the product when shipped. Installation by certified installer is recommended.
- This drinking water system must be maintained according to manufacturer's instructions, including replacement of filter cartridges.
- Do not use with water that is microbiologically unsafe, or of unknown quality without adequate disinfection before or after the system.
- The contaminants or other substances removed or reduced by this water treatment system are not necessarily in your water.
- Check for compliance with state and local laws and regulations.
- Testing was performed under standard laboratory conditions; actual performance may vary.



EVERPURE, LLC
1040 Muirfield Drive
Hanover Park, IL 60133
TEL 800-323-7873

Customer Service
FAX 800-942-0081

Visit us online at: www.everpure.com

In Europe:
N.V. EVERPURE (EUROPE) S.A.
Toekomstlaan 30
B-2200 Herentals
Belgium
Tel 32 14 28 35 00
FAX 32 14 28 35 05

In Japan:
EVERPURE JAPAN, INC.
1-8-19, Tsumada Kita,
Atsugi-Shi
Kanagawa 243
Japan
Tel 81-462 (23) 6563
FAX 81-462 (21) 6775