

FM/AM
Compact Disc Player
 CDX-H905IP

FM/MW/LW
Compact Disc Player
 CDX-HR905IP

Operating Instructions _____	US
Mode d'emploi _____	FR
Manual de instrucciones _____	ES
Bedienungsanleitung _____	DE
Gebruiksaanwijzing _____	NL
Istruzioni per l'uso _____	IT

Owner's Record

The model and serial numbers are located on the bottom of the unit.

Record these numbers in the spaces provided below.

Refer to these numbers whenever you call upon your Sony dealer regarding this product.

Model No. _____ Serial No. _____

To cancel the demonstration (DEMO) display, see page 16.

Pour annuler la démonstration (DEMO), reportez-vous à la page 14.

Para cancelar la pantalla de demostración (DEMO), consulte la página 15.

Zum Deaktivieren der Demo-Anzeige (DEMO) schlagen Sie bitte auf Seite 15 nach.

Om de demonstratie (DEMO) te annuleren, zie pagina 15.

Per annullare la dimostrazione (DEMO), vedere pagina 15.



For installation and connections, see the supplied installation/connections manual.

Warning

CDX-H905IP only

This equipment has been tested and found to comply with the limits for a Class B digital device, pursuant to Part 15 of the FCC Rules. These limits are designed to provide reasonable protection against harmful interference in a residential installation. This equipment generates, uses, and can radiate radio frequency energy and, if not installed and used in accordance with the instructions, may cause harmful interference to radio communications. However, there is no guarantee that interference will not occur in a particular installation. If this equipment does cause harmful interference to radio or television reception, which can be determined by turning the equipment off and on, the user is encouraged to try to correct the interference by one or more of the following measures:

- Reorient or relocate the receiving antenna.
- Increase the separation between the equipment and receiver.
- Connect the equipment into an outlet on a circuit different from that to which the receiver is connected.
- Consult the dealer or an experienced radio/TV technician for help.

You are cautioned that any changes or modifications not expressly approved in this manual could void your authority to operate this equipment.

CAUTION

The use of optical instruments with this product will increase eye hazard.

For the state of california, USA only

Perchlorate Material – special handling may apply. See www.dtsc.ca.gov/hazardouswaste/perchlorate
Perchlorate Material: Lithium battery contains perchlorate

**CLASS 1
LASER PRODUCT**

This label is located on the bottom of the chassis.

The manufacturer of this product is Sony Corporation, 1-7-1 Konan Minato-ku Tokyo, 108-0075 Japan.

The Authorized Representative for EMC and product safety is Sony Deutschland GmbH, Hedelfinger Strasse 61, 70327 Stuttgart, Germany. For any service or guarantee matters please refer to the addresses given in separate service or guarantee documents.



Disposal of Old Electrical & Electronic Equipment (Applicable in the European Union and other European countries with separate collection systems)

This symbol on the product or on its packaging indicates that this product shall not be treated as household waste. Instead it shall be handed over to the applicable collection point for the recycling of electrical and electronic equipment. By ensuring this product is disposed of correctly, you will help prevent potential negative consequences for the environment and human health, which could otherwise be caused by inappropriate waste handling of this product. The recycling of materials will help to conserve natural resources. For more detailed information about recycling of this product, please contact your local Civic Office, your household waste disposal service or the shop where you purchased the product.

Applicable accessory: Remote commander



Disposal of waste batteries (applicable in the European Union and other European countries with separate collection systems)

This symbol on the battery or on the packaging indicates that the battery provided with this product shall not be treated as household waste. By ensuring these batteries are disposed of correctly, you will help prevent potentially negative consequences for the environment and human health which could otherwise be caused by inappropriate waste handling of the battery. The recycling of the materials will help to conserve natural resources. In case of products that for safety, performance or data integrity reasons require a permanent connection with an incorporated battery, this battery should be replaced by qualified service staff only. To ensure that the battery will be treated properly, hand over the product at end-of-life to the applicable collection point for the recycling of electrical and electronic equipment. For all other batteries, please view the section on how to remove the battery from the product safely. Hand the battery over to the applicable collection point for the recycling of waste batteries. For more detailed information about recycling of this product or battery, please contact your local Civic Office, your household waste disposal service or the shop where you purchased the product.

SonicStage and its logo are trademarks of Sony Corporation.

“ATRAC” and its logo are trademarks of Sony Corporation.



Microsoft, Windows Media, and the Windows logo are trademarks or registered trademarks of Microsoft

Corporation in the United States and/or other countries.

iPod is a trademark of Apple Inc., registered in the U.S. and other countries.

CDX-H905IP only



The “HD Radio Ready” logo indicates that this product will control a Sony HD Radio™ tuner (sold separately).

For HD Radio™ tuner operation, please refer to the HD Radio™ tuner owner’s manual.

The HD Radio Ready logo is a registered trademark of iBiquity.

HD Radio™ is a trademark of iBiquity Digital Corp.

CDX-H905IP only



The “SAT Radio Ready” logo indicates that this product will control a satellite radio tuner module

(sold separately). Please see your nearest authorized Sony dealer for details on the satellite radio tuner module.

“SAT Radio,” “SAT Radio Ready,” the SAT Radio and SAT Radio Ready logos and all related marks are trademarks of Sirius Satellite Radio Inc. and XM Satellite Radio Inc.

Warning if your boat’s ignition has no ACC position

Be sure to set the Auto Off function (page 16). The unit will shut off completely and automatically in the set time after the unit is turned off, which prevents battery drain.

If you do not set the Auto Off function, press and hold **(OFF)** until the display disappears each time you turn the ignition off.



Table of Contents

Welcome !	6
---------------------	---

Getting Started

Resetting the unit	7
Preparing the card remote commander	7
Setting the clock	7
Inserting the disc in the unit	7
Ejecting the disc	7

Location of controls and basic operations

Main unit	8
Card remote commander RM-X151	10

CD

Display items	11
Repeat and shuffle play	11

Radio

Storing and receiving stations	11
Storing automatically — BTM	11
Storing manually	11
Receiving the stored stations	11
Tuning automatically	12
RDS (CDX-HR905IP)	12
Overview	12
Setting AF and TA	12
Selecting PTY	13
Setting CT	13

iPod

Playing back iPod	14
Playing tracks	14
Display items	14
Setting the play mode	14
Selecting Album, Artist or Playlist	14
Repeat and shuffle Play	15
Scan	15

Other functions

Changing the sound settings	15
Adjusting the sound characteristics	
— BAL/FAD/SUB	15
Customizing the equalizer curve	
— EQ3	15
Adjusting setup items — SET	16
Using optional equipment	17
CD/MD changer	17
Marine remote commander	
RM-X55M/X11M	17
Auxiliary audio equipment	18

Additional Information







Precautions	18
Notes on discs	18
Playback order of MP3/WMA/	
AAC files	19
About MP3 files	19
About WMA files	19
About AAC files	20
About ATRAC CD	20
About iPod	20
Maintenance	20
Specifications	21
Troubleshooting	22
Error displays/Messages	24

Welcome !

Thank you for purchasing this Sony Compact Disc Player. You can enjoy your boating with the following functions.

• CD playback

You can play CD-DA (also containing CD TEXT), CD-R/CD-RW (MP3/WMA/AAC files (page 19)) and ATRAC CD (ATRAC3 and ATRAC3plus format (page 20)).

Type of discs	Label on the disc	
CD-DA		
MP3 WMA AAC ATRAC CD	 	 

• Radio reception

– You can store up to 6 stations per band.

CDX-H905IP:

FM1, FM2, FM3, AM1 and AM2

CDX-HR905IP:

FM1, FM2, FM3, MW and LW

– **BTM** (Best Tuning Memory): The unit selects strong signal stations and stores them.

• RDS services

– You can listen to FM stations with the Radio Data System (RDS) in Europe.
(CDX-HR905IP)

• Sound adjustment

– **EQ3 stage2:** You can choose any one of 7 preset equalizer curves.

– **DSO** (Dynamic Soundstage Organizer): Creates a more ambient sound field, using virtual speaker synthesis, to enhance the sound of speakers, even if they are installed low in the door.

• Optional device operation

Various kinds of audio devices can be connected.

– **iPod:** iPod connection can be made by the dock connector cable on the rear of the unit.

– **Portable audio device:** An AUX IN jack on the rear of the unit allows connection of a portable audio device (analog connection).

– **CD/MD changers:** CD/MD changers can be connected to the Sony BUS at the rear of the unit.

About water resistancy

This unit is designed for use in a marine environment. To protect the unit from water spray, waves, rain, moisture, ultraviolet rays, etc., the unit has undergone the following tests to ensure reliability and functionality (Front panel only):

- Water resistant front panel - IPx5 certified
- Salt fog resistant - Tested under ASTM B117
- Conformal coated circuit board
- UV resistant - Tested under ASTM G154

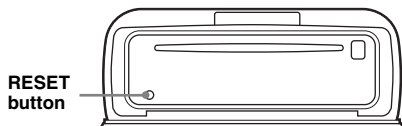
Notes

- *Be sure to close the front panel to maintain water resistant performance, except when inserting/ejecting a disc.*
- *Do not allow water to contact the unit except the front panel.*
- *Do not use this unit in the following places:*
 - *places where the unit may be subject to high water pressure, hot springs or bathtubs, etc.*
 - *underwater.*

Getting Started

Resetting the unit

Before operating the unit for the first time, or after replacing the boat's battery or changing the connections, you must reset the unit. Open the front panel and press the RESET button with a pointed object, such as a ball-point pen.

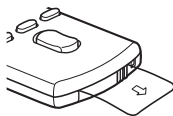


Note

Pressing the RESET button will erase the clock setting and some stored contents.

Preparing the card remote commander

Before using the card remote commander for the first time, remove the insulation film.



Tip

For how to replace the battery, see "Replacing the lithium battery of the card remote commander" on page 20.

Setting the clock

CDX-H905IP:

12-hour indication

CDX-HR905IP:

24-hour indication

- 1 Press and hold **(SELECT)**.
The setup display appears.
- 2 Press **(SELECT)** repeatedly until "CLOCK-ADJ" appears.
- 3 Press **(SEEK +)**.
The hour indication flashes.
- 4 Rotate the volume control dial to set the hour and minute.
To move the digital indication, press **(DSPL)**.
- 5 Press **(SELECT)**.
The setup is complete and the clock starts.

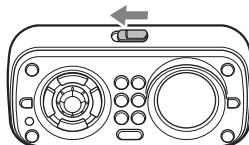
To display the clock, press **(DSPL)**. Press **(DSPL)** again to return to the previous display.

Tip

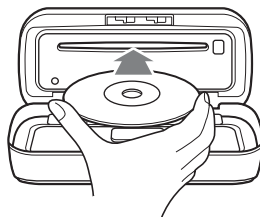
You can set the clock automatically with the RDS feature (page 13). (CDX-HR905IP only)

Inserting the disc in the unit

- 1 Slide the OPEN switch in the direction of the arrow.



- 2 Open the front panel.
- 3 Insert the disc (label side up).



- 4 Close the front panel.
Playback starts automatically.

Notes

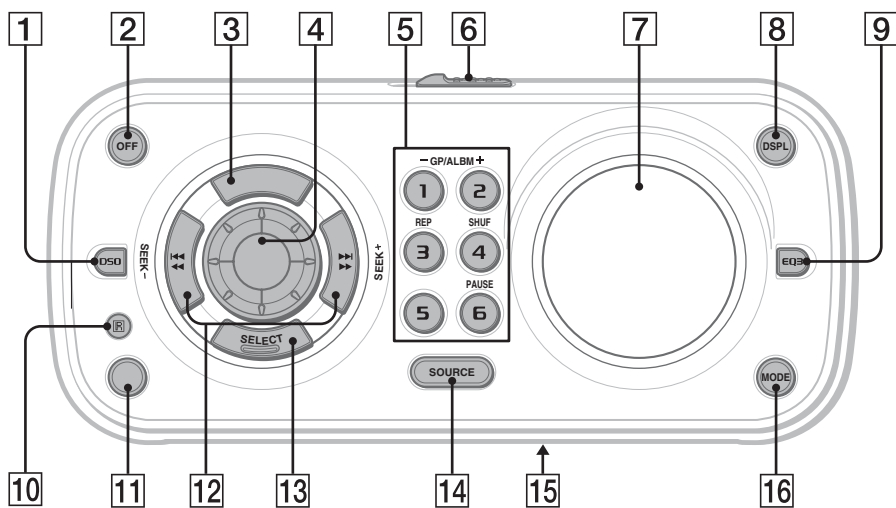
- Do not put anything on the inner surface of the front panel.
- Be sure to close the front panel during operation.

Ejecting the disc

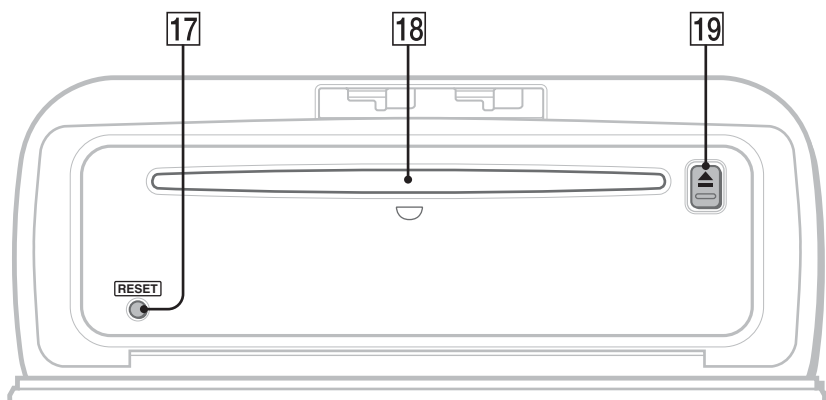
- 1 Slide the OPEN switch and open the front panel.
- 2 Press **(▲)**.
The disc is ejected.
- 3 Close the front panel.

Location of controls and basic operations

Main unit



Front panel opened



This section contains instructions on the location of controls and basic operations. For details, see the respective pages.

For iPod operation, see “iPod” on page 14, or for optional device (CD/MD changer, etc.) operation, see “Using optional equipment” on page 17.

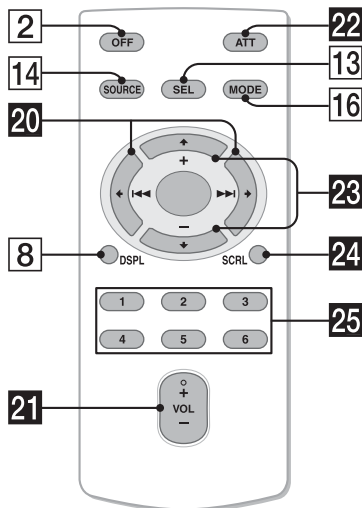
The corresponding buttons on the card remote commander control the same functions as those on the unit.

- 1 DSO button** page 6
To select the DSO mode (1, 2, 3 or OFF).
The larger the number, the more enhanced the effect.
- 2 OFF button**
To power off; stop the source.
- 3 SCRL (scroll) button (CDX-H905IP)**
To scroll the display item.
AF (Alternative Frequencies)/TA (Traffic Announcement) button (CDX-HR905IP) page 12
To set AF and TA in RDS.
- 4 Volume control dial** page 15
To adjust volume.
- 5 Number buttons**
CD/PD:
①/②: GP/ALBM -/+
To skip albums (press); skip albums continuously (press and hold).
③: REP page 11
④: SHUF page 11
⑥: PAUSE
To pause playback of a CD on this unit.
To cancel, press again.
Radio:
To receive stored stations (press); store stations (press and hold).
- 6 OPEN switch** page 7
- 7 Display window**
- 8 DSPL (display) button** page 11, 12
To change display items.
- 9 EQ3 (equalizer) button** page 15
To select an equalizer type (XPLOD, VOCAL, EDGE, CRUISE, SPACE, GRAVITY, CUSTOM or OFF).
- 10 Receptor for the card remote commander**

- 11 BTM/CAT button (CDX-H905IP)** page 11
To start the BTM function (press and hold).
PTY (Program Type) button (CDX-HR905IP) page 13
To select PTY in RDS.
- 12 SEEK +/- buttons**
CD/PD:
To skip tracks (press); skip tracks continuously (press, then press again within about 1 second and hold); reverse/fast-forward a track (press and hold).
Radio:
To tune in stations automatically (press); find a station manually (press and hold).
- 13 SELECT button**
To select setup items.
- 14 SOURCE button**
To power on; change the source (Radio/CD/AUX/PD)*.
- 15 Frequency select switch (CDX-H905IP)** (located on the bottom of the unit)
See “Frequency select switch” in the supplied installation/connections manual.
- 16 MODE button** page 11
To select the radio band*; select the play mode of iPod.
- 17 RESET button** page 7
- 18 Disc slot** page 7
To insert the disc.
- 19 ▲ (eject) button** page 7
To eject the disc.

continue to next page →

Card remote commander RM-X151



The following buttons on the card remote commander have also different buttons/functions from the unit. Remove the insulation film before use (page 7).

- 20** **← (I-◀)/→ (▶I) buttons**
To control CD/radio/PD, the same as **(SEEK) -/+** on the unit.
Setup, sound setting, etc., can be operated by **← →**.
- 21** **VOL (volume) +/- button**
To adjust volume.
- 22** **ATT (attenuate) button**
To attenuate the sound. To cancel, press again.
- 23** **↑ (+)/↓ (-) buttons**
To control CD/PD, the same as **(GP/ALBM) -/+** on the unit.
Setup, sound setting, etc., can be operated by **↑ ↓**.
- 24** **SCRL (scroll) button**
To scroll the display item.
- 25** **Number buttons**
To receive stored stations (press); store stations (press and hold).

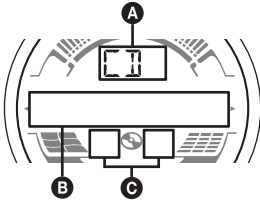
* In the case of a CD/MD changer, HD radio tuner or SAT tuner being connected; when **(SOURCE)** is pressed, the connected device ("MD," "HD," "XM" or "SR") will appear in the display, depending on which device is connected. Furthermore, if **(MODE)** is pressed, you can switch the changer, HD radio tuner band or SAT tuner band.
(A HD radio tuner or SAT tuner can only be connected to the CDX-H9051P.)

Note

If the unit is turned off and the display disappears, it cannot be operated with the card remote commander unless **(SOURCE)** on the unit is pressed, or a disc is inserted to activate the unit first.

For details on selecting a CD/MD changer, see page 17.

Display items



- A** Source
- B** Track number/Elapsed playing time, Disc/artist name, Album/group number*, Album/group name, Track name, Text information, Clock
- C** ATRAC/WMA/MP3/AAC indication

* Album/group number is displayed only when the album/group is changed.

To change display items **B**, press **(DSPL)**.

Tip

Displayed items will differ, depending on the disc type, recorded format and settings. For details on MP3/WMA/AAC, see page 19; ATRAC CD, see page 20.

Repeat and shuffle play

- During playback, press **(3)** (REP) or **(4)** (SHUF) repeatedly until the desired setting appears.

Select	To play
TRACK	track repeatedly.
ALBUM *1	album repeatedly.
GROUP *2	group repeatedly.
SHUF ALBUM *1	album in random order.
SHUF GROUP *2	group in random order.
SHUF DISC	disc in random order.

*1 When an MP3/WMA/AAC is played.

*2 When an ATRAC CD is played.

To return to normal play mode, select “**OFF**” or “**SHUF OFF**.”

Storing and receiving stations

Caution

When tuning in stations while boating, use Best Tuning Memory (BTM) to prevent an accident.

Storing automatically — BTM

- Press **(SOURCE)** repeatedly until “**TUNER**” appears.
To change the band, press **(MODE)** repeatedly.
- Press and hold **(SELECT)**.
The setup display appears.
- Press **(SELECT)** repeatedly until “**BTM**” appears.
- Press **(SEEK) +**.
The unit stores stations in order of frequency on the number buttons.
A beep sounds when the setting is stored.

Storing by the BTM button

(CDX-H905IP only)

Press and hold **(BTM)** until “**BTM**” flashes, instead of steps 2 to 4.

Storing manually

- While receiving the station that you want to store, press and hold a number button (**(1)** to **(6)**) until “**MEM**” appears.
The number button indication appears in the display.

Note

If you try to store another station on the same number button, the previously stored station will be replaced.

Tip

When a RDS station is stored, the AF/TA setting is also stored (page 12). (CDX-HR905IP only)

Receiving the stored stations

- Select the band, then press a number button (**(1)** to **(6)**).

Tuning automatically

1 Select the band, then press **(SEEK)** $-/+$ to search for the station.

Scanning stops when the unit receives a station. Repeat this procedure until the desired station is received.

Tip

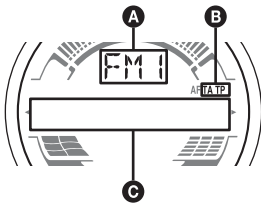
If you know the frequency of the station you want to listen to, press and hold **(SEEK)** $-/+$ to locate the approximate frequency, then press **(SEEK)** $-/+$ repeatedly to fine adjust to the desired frequency (manual tuning).

RDS (CDX-HR9051P)

Overview

FM stations with Radio Data System (RDS) service send inaudible digital information along with the regular radio program signal.

Display items



- A** Radio band, Function
- B** TA/TP*1
- C** Frequency*2 (Program service name), Preset number, Clock, RDS data

*1 "TA" flashes during traffic information. "TP" lights up while such a station is received.

2 While receiving the RDS station, "" is displayed on the left of the frequency indication.

To change display items **C**, press **(DSPL)**.

RDS services

This unit automatically provides RDS services as follows:

AF (Alternative Frequencies)

Selects and retunes the station with the strongest signal in a network. By using this function, you can continuously listen to the same program during long-distance voyage without having to retune the same station manually.

TA (Traffic Announcement)/TP (Traffic Program)

Provides current traffic information/programs. Any information/program received, will interrupt the currently selected source.

PTY (Program Types)

Displays the currently received program type. Also searches your selected program type.

CT (Clock Time)

The CT data from the RDS transmission sets the clock.

Notes

- Depending on the country/region, not all RDS functions may be available.
- RDS will not work if the signal strength is too weak, or if the station you are tuned to is not transmitting RDS data.

Setting AF and TA

1 Press **(AF/TA)** repeatedly until the desired setting appears.

Select	To
AF-ON	activate AF and deactivate TA.
TA-ON	activate TA and deactivate AF.
AF, TA-ON	activate both AF and TA.
AF, TA-OFF	deactivate both AF and TA.

Storing RDS stations with the AF and TA setting

You can preset RDS stations along with the AF/TA setting. If you use the BTM function, only RDS stations are stored with the same AF/TA setting.

If you preset manually, you can preset both RDS and non-RDS stations with the AF/TA setting for each.

1 Set AF/TA, then store the station with BTM or manually.

Receiving emergency announcements

With AF or TA on, the emergency announcements will automatically interrupt the currently selected source.

Tip

If you adjust the volume level during a traffic announcement, that level will be stored into memory for subsequent traffic announcements, independently from the regular volume level.

Staying with one regional program — REG

When the AF function is on: this unit's factory setting restricts reception to a specific region, so you will not be switched to another regional station with a stronger frequency.

If you leave this regional program's reception area, set "REG-OFF" in setup during FM reception (page 16).

Note

This function does not work in the UK and in some other areas.

Local Link function (UK only)

This function enables you to select other local stations in the area, even if they are not stored on your number buttons.

- 1 During FM reception, press a number button (① to ⑥) on which a local station is stored.
- 2 Within 5 seconds, press again a number button of the local station.
Repeat this procedure until the local station is received.

Selecting PTY

- 1 Press **(PTY)** during FM reception.



The current program type name appears if the station is transmitting PTY data.

- 2 Press **(PTY)** repeatedly until the desired program type appears.
- 3 Press **(SEEK) -/+**.

The unit starts to search for a station broadcasting the selected program type.

Type of programs

NEWS (News), **AFFAIRS** (Current Affairs), **INFO** (Information), **SPORT** (Sports), **EDUCATE** (Education), **DRAMA** (Drama), **CULTURE** (Culture), **SCIENCE** (Science), **VARIED** (Varied), **POP M** (Popular Music), **ROCK M** (Rock Music), **EASY M** (Easy Listening), **LIGHT M** (Light Classical), **CLASSICS** (Classical), **OTHER M** (Other Music Type), **WEATHER** (Weather), **FINANCE** (Finance), **CHILDREN** (Children's Programs), **SOCIAL A** (Social Affairs), **RELIGION** (Religion), **PHONE IN** (Phone In), **TRAVEL** (Travel), **LEISURE** (Leisure), **JAZZ** (Jazz Music), **COUNTRY** (Country Music), **NATION M** (National Music), **OLDIES** (Oldies Music), **FOLK M** (Folk Music), **DOCUMENT** (Documentary)

Note

You cannot use this function in countries/regions where no PTY data is available.

Setting CT

- 1 Set "CT-ON" in setup (page 16).

Notes

- The CT function may not work even though an RDS station is being received.
- There might be a difference between the time set by the CT function and the actual time.

iPod

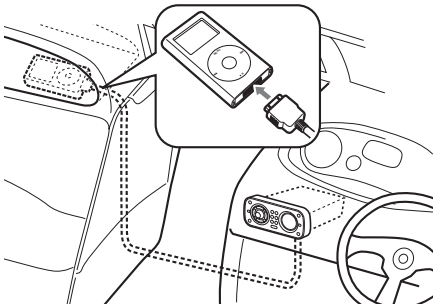
Playing back iPod

By connecting an iPod to the dock connector at the rear of the unit, you can listen on your boat's speakers, while controlling the iPod from the unit.

Notes

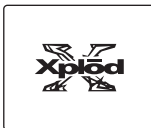
- When an iPod is connected to the dock connector, operation from the iPod cannot be performed.
- Before connecting the iPod to the dock connector, turn down the volume of the unit.
- When not using the dock connector, use the supplied dock connector cap to prevent water entering.

Playing tracks



1 Connect the iPod to the dock connector.

The iPod will turn on automatically, and the display will appear on the iPod screen as below.



2 Press **(SOURCE)** repeatedly until "PD" appears.

"PD 1 PORTABLE" appears, and the tracks on the iPod start playing automatically from the point last played.

3 Press **(MODE)** to select the play mode.

The mode changes as follows:

RESUMING → **ALBUM** → **ARTIST** → **PLAYLIST**

4 Adjust the volume.

Press **(OFF)** to stop playback.

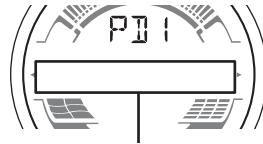
Tips

- When the iPod is connected to the dock connector, the mode changes to the Resuming mode. In Resuming mode, pressing **(3)** (Repeat), **(4)** (Shuffle) or **(5)** (Scan) does not function. If you cancel Resuming mode by pressing **(MODE)** or **(1)/(2)** (GP/ALBM -/+), **(3)** (Repeat), **(4)** (Shuffle) or **(5)** (Scan) now function to change the play mode.
- When the ignition key is turned to the ACC position, or the unit is on, the iPod will be recharged.
- If the iPod is disconnected during playback, playback will pause.

Note

An another iPod cannot be connected using the XA-110IP or XA-120IP.

Display items



Track/album/artist name, Track number, Elapsed playing time, Clock

To change display items, press **(DSPL)**.

Note

Some letters stored in iPod may not be displayed correctly.

Setting the play mode

Selecting Album, Artist or Playlist

1 During playback, press **(MODE)**.

The mode changes as follows:

ALBUM → **ARTIST** → **PLAYLIST**

Skipping albums, artists and playlists

To	Press
Skip	(1)/(2) (GP/ALBM -/+) [press once for each]
Skip continuously	(1)/(2) (GP/ALBM -/+) [hold to desired point]

Repeat and shuffle Play

- 1 During playback, press **(3)** (REP) or **(4)** (SHUF) repeatedly until the desired setting appears.

Select	To play
REP TRK	track repeatedly.
REP ALB	album repeatedly.
REP ART	artist repeatedly.
REP PLY	playlist repeatedly.
SHUF ALB	album in random order.
SHUF ART	artist in random order.
SHUF PLY	playlist in random order.
SHUF ALL	all tracks in random order.

To return to normal play mode, select “REP OFF” or “SHUF OFF.”

Note

(1)/(2) (GP/ALBM -/+) will not work during shuffle play.

Scan

You can quickly locate a specific point on the iPod.

- 1 During playback, press **(5)** until “SCAN ON” appears.

The first 10 seconds of each track will be played.

To return to normal play mode, select “SCAN OFF.”

Note

This function will not work during shuffle play.

Other functions

Changing the sound settings

Adjusting the sound characteristics — BAL/FAD/SUB

You can adjust the balance, fader, and subwoofer volume.

- 1 Press **(SELECT)** repeatedly until “BAL,” “FAD” or “SUB” appears. The item changes as follows:

LOW*1 → MID*1 → HI*1 →

BAL (left-right) → FAD (front-rear) →

SUB (subwoofer volume)*2 → AUX*3

*1 When EQ3 is activated (page 15).

*2 When the audio output is set to “SUB” (page 16).

“ATT” is displayed at the lowest setting, and can be adjusted up to 21 steps.

*3 When AUX source is activated (page 18).

- 2 Rotate the volume control dial to adjust the selected item.

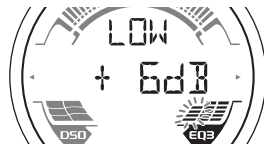
After 3 seconds, the setting is complete and the display returns to normal play/reception mode.

Customizing the equalizer curve — EQ3

“CUSTOM” of EQ3 allows you to make your own equalizer settings.

- 1 Select a source, then press **(EQ3)** repeatedly to select “CUSTOM.”
- 2 Press **(SELECT)** repeatedly until “LOW,” “MID” or “HI” appears.
- 3 Rotate the volume control dial to adjust the selected item.

The volume level is adjustable in 1 dB steps, from -10 dB to +10 dB.



Repeat steps 2 and 3 to adjust the equalizer curve.

To restore the factory-set equalizer curve, press and hold **(SELECT)** before the setting is complete.

After 3 seconds, the setting is complete and the display returns to normal play/reception mode.

Tip

Other equalizer types are also adjustable.

Adjusting setup items — SET

1 Press and hold **(SELECT)**.

The setup display appears.

2 Press **(SELECT)** repeatedly until the desired item appears.

3 Rotate the volume control dial to select the setting (example “ON” or “OFF”).

4 Press and hold **(SELECT)**.

The setup is complete and the display returns to normal play/reception mode.

Note

Displayed items will differ, depending on the source and setting.

The following items can be set (follow the page reference for details):

“●” indicates the default settings.

CLOCK-ADJ (Clock Adjust) (page 7)

CT*1 (Clock Time)

To set “CT-ON” or “CT-OFF” (●) (page 12, 13).

BEEP

To set “BEEP-ON” (●) or “BEEP-OFF.”

AUX-A*2 (AUX Audio)

To turn the AUX source display “AUX-A-ON” (●) or “AUX-A-OFF” (page 18).

A.OFF (Auto Off)

To shut off automatically after a desired time when the unit is turned off: “A.OFF-NO” (●), “A.OFF-30S (Seconds),” “A.OFF-30M (Minutes)” or “A.OFF-60M (Minutes).”

REAR/SUB*2

To switch the audio output.

- “REAR-OUT” (●): to output to a power amplifier.
- “SUB-OUT”: to output to a subwoofer.

DEMO (Demonstration)

To set “DEMO-ON” (●) or “DEMO-OFF.”

DIM (Dimmer)

To change the brightness of the display.

- “DIM-AT” (●): to dim the display automatically when you turn lights on.
- “DIM-OFF”: to deactivate the dimmer.
- “DIM-ON”: to dim the display.

CONTRAST

To adjust the contrast of the display.

The contrast level is adjustable in 7 steps.

ILM (Illumination)

To change the illumination color: “ILM-1” (●) or “ILM-2.”

M.DSPL (Motion Display)

To select the Motion Display mode.

- “M.DSPL-LM” (●): to show moving patterns and level meter.
- “M.DSPL-OFF”: to deactivate the Motion Display.
- “M.DSPL-ON”: to show moving patterns.

A.SCRL (Auto Scroll)

To scroll long displayed item automatically when the disc/album/group/track is changed.

- “A.SCRL-ON” (●): to scroll.
- “A.SCRL-OFF”: to not scroll.

LOCAL (Local seek mode)

- “LOCAL-OFF” (●): to tune normal reception.
- “LOCAL-ON”: to only tune into stations with stronger signals.

MONO*3 (Monaural mode)

To improve poor FM reception, select monaural reception mode.

- “MONO-OFF” (●): to hear stereo broadcast in stereo.
- “MONO-ON”: to hear stereo broadcast in monaural.

REG*1*3 (Regional)

To set “REG-ON” (●) or “REG-OFF” (page 13).

LPF*4 (Low Pass Filter)

To select the subwoofer cut-off frequency: “LPF OFF” (●), “LPF125Hz” or “LPF 78Hz.”

LOUD (Loudness)

To allow you to listen clearly at low volume levels.

- “LOUD-ON”: to reinforce bass and treble.
- “LOUD-OFF” (●): to not reinforce bass and treble.

BTM (page 11)

*1 *CDX-HR905IP only.*

*2 *When the unit is turned off.*

*3 *When FM is received.*

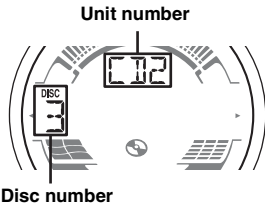
*4 *When the audio output is set to “SUB.”*

Using optional equipment

CD/MD changer

Selecting the changer

- 1 Press **(SOURCE)** repeatedly until “CD” or “MD” appears.
- 2 Press **(MODE)** repeatedly until the desired changer appears.



Playback starts.

Skipping albums and discs

- 1 During playback, press **(1)/(2)** (GP/ALBM -/+).

To skip	Press (1)/(2) (GP/ALBM -/+)
album	and release (hold for a moment).
album continuously	within 2 seconds of first releasing.
discs	repeatedly.
discs continuously	then, press again within 2 seconds and hold.

Repeat and shuffle play

- 1 During playback, press **(3)** (REP) or **(4)** (SHUF) repeatedly until the desired setting appears.

Select	To play
DISC	disc repeatedly.
SHUF CHANGER	tracks in the changer in random order.
SHUF ALL*	tracks in all units in random order.

* When one or more CD changers, or two or more MD changers are connected.

To return to normal play mode, select “**OFF**” or “SHUF OFF.”

Tip

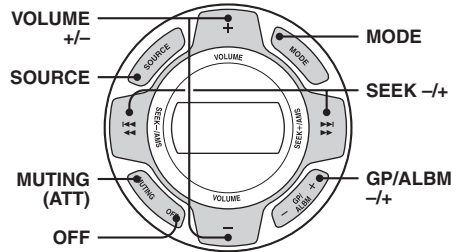
“SHUF ALL” will not shuffle tracks between CD units and MD changers.

Marine remote commander RM-X55M/X11M

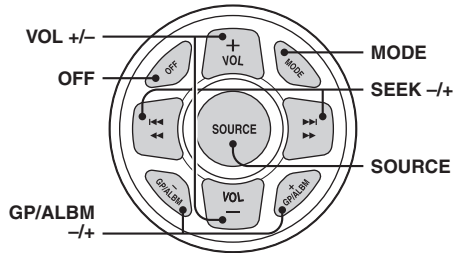
Location of controls

The corresponding buttons on the marine remote commander control the same functions as those on this unit.

RM-X55M



RM-X11M



The following controls on the marine remote commander require a different operation from the unit.

- **VOLUME (VOL) +/- button(s)**
The same as the volume control dial on the unit.
- **MUTING button**
To attenuate the sound. (The same as **(ATT)** on the card remote commander.)

Auxiliary audio equipment

By connecting an optional portable audio device to the AUX IN jack on the unit and then simply selecting the source, you can listen on your boat speakers. The volume level is adjustable for any difference between the unit and the portable audio device. Follow the procedure below:

Adjust the volume level

Be sure to adjust the volume for each connected audio device before playback.

- 1 Turn down the volume on the unit.
- 2 Press **(SOURCE)** repeatedly until “AUX” appears.
“AUX REAR IN” appears.
- 3 Start playback of the portable audio device at a moderate volume.
- 4 Set your usual listening volume on the unit.
- 5 Press **(SELECT)** repeatedly until “AUX” appears, and rotate the volume control dial to adjust the input level (-8 dB to +18 dB).

Additional Information

Precautions

- If your boat has been moored in direct sunlight, allow the unit to cool off before operating it.
- Power antenna (aerial) will extend automatically while the unit is operating.

Moisture condensation

On a rainy day or in a very damp area, moisture condensation may occur inside the lenses and display of the unit. Should this occur, the unit will not operate properly. In such a case, remove the disc and wait for about an hour until the moisture has evaporated.

To maintain high sound quality

Be careful not to splash juice or other soft drinks onto the unit or discs.

Notes on discs

- To keep a disc clean, do not touch its surface. Handle the disc by its edge.
- Keep your discs in their cases or disc magazines when not in use.
- Do not subject discs to heat/high temperature. Avoid leaving them in a moored boat.
- Do not attach labels, or use discs with sticky ink/residue. Such discs may stop spinning when used, causing a malfunction, or may ruin the disc.



- Do not use any discs with labels or stickers attached.
The following malfunctions may result from using such discs:
 - Inability to eject a disc (due to a label or sticker peeling off and jamming the eject mechanism).
 - Inability to read audio data correctly (e.g., playback skipping, or no playback) due to heat shrinking of a sticker or label causing a disc to warp.
- Discs with non-standard shapes (e.g., heart, square, star) cannot be played on this unit. Attempting to do so may damage the unit. Do not use such discs.
- You cannot play 8 cm (3 1/4 in) CDs.

- Before playing, clean the discs with a commercially available cleaning cloth. Wipe each disc from the center out. Do not use solvents such as benzene, thinner, commercially available cleaners, or antistatic spray intended for analog discs.



Notes on CD-R/CD-RW discs

- Some CD-Rs/CD-RWs (depending on the equipment used for its recording or the condition of the disc) may not play on this unit.
- You cannot play a CD-R/a CD-RW that is not finalized.
- The unit is compatible with the ISO 9660 level 1/ level 2 format, Joliet/Romeo in the expansion format, and Multi Session.
- The maximum number of:
 - folders (albums): 150 (including root and empty folders).
 - files (tracks) and folders contained in a disc: 300 (if a folder/file names contain many characters, this number may become less than 300).
 - displayable characters for a folder/file name is 32 (Joliet), or 64 (Romeo).
- When the disc is recorded in Multi Session, only the first track of the first session format is recognized and played (any other format is skipped). The priority of the format is CD-DA, ATRAC CD and MP3/WMA/AAC.
 - When the first track is a CD-DA, only CD-DA of the first session is played.
 - When the first track is not a CD-DA, an ATRAC CD or MP3/WMA/AAC session is played. If the disc has no data in any of these formats, “NO MUSIC” is displayed.

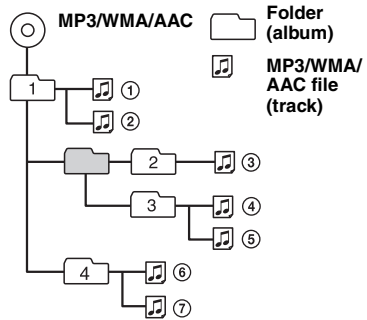
Music discs encoded with copyright protection technologies

This product is designed to play back discs that conform to the Compact Disc (CD) standard. Recently, various music discs encoded with copyright protection technologies are marketed by some record companies. Please be aware that among those discs, there are some that do not conform to the CD standard and may not be playable by this product.

Note on DualDiscs

A DualDisc is a two sided disc product which mates DVD recorded material on one side with digital audio material on the other side. However, since the audio material side does not conform to the Compact Disc (CD) standard, playback on this product is not guaranteed.

Playback order of MP3/WMA/AAC files



About MP3 files

- MP3, which stands for MPEG-1 Audio Layer-3, is a music file compression format standard. It compresses audio CD data to approximately 1/10 of its original size.
- ID3 tag versions 1.0, 1.1, 2.2, 2.3 and 2.4 apply to MP3 only. ID3 tag is 15/30 characters (1.0 and 1.1), or 63/126 characters (2.2, 2.3 and 2.4).
- When naming an MP3 file, be sure to add the file extension “.mp3” to the file name.
- During playback or fast-forward/reverse of a VBR (variable bit rate) MP3 file, elapsed playing time may not display accurately.

About WMA files

- WMA, which stands for Windows Media Audio, is a music file compression format standard. It compresses audio CD data to approximately 1/22* of its original size.
- WMA tag is 63 characters.
- When naming a WMA file, be sure to add the file extension “.wma” to the file name.
- During playback or fast-forward/reverse of a VBR (variable bit rate) WMA file, elapsed playing time may not display accurately.

* only for 64 kbps

Note on WMA

- Playback of the following WMA files is not supported.
- lossless compression
 - copyright-protected

About AAC files

- AAC, which stands for Advanced Audio Coding, is a music file compression format standard. It compresses audio CD data to approximately 1/11* of its original size.
- AAC tag is 126 characters.
- When naming an AAC file, be sure to add the file extension “.m4a” to the file name.
- During playback or fast-forward/reverse of a VBR (variable bit rate) AAC file, elapsed playing time may not display accurately.

* only for 128 kbps

Note on AAC

Playback of a copyright-protected file is not supported.

About ATRAC CD

ATRAC3plus format

ATRAC3, which stands for Adaptive Transform Acoustic Coding3, is audio compression technology. It compresses audio CD data to approximately 1/10 of its original size.

ATRAC3plus, which is an extended format of ATRAC3, compresses the audio CD data to approximately 1/20 of its original size. The unit accepts both ATRAC3 and ATRAC3plus format.

ATRAC CD

ATRAC CD is recorded audio CD data which is compressed to ATRAC3 or ATRAC3plus format using authorized software, such as SonicStage 2.0 or later, or SonicStage Simple Burner.

- The maximum number of:
 - folders (groups): 255
 - files (tracks): 999
- The characters for a folder/file name and text information written by SonicStage are displayed.

For details on ATRAC CD, see the SonicStage or SonicStage Simple Burner manual.

Note

Be sure to create the ATRAC CD using authorized software, such as SonicStage 2.0 or later, or SonicStage Simple Burner 1.0 or 1.1.

About iPod

This unit can be used with the dock connector type iPod, iPod photo, iPod mini and iPod nano with the following software versions. All other versions earlier than listed are not guaranteed.

- Third-generation iPod: Ver.2.3.0
- Fourth-generation iPod: Ver.3.1.1
- Fifth-generation iPod: Ver.1.2
- iPod photo: Ver.1.2.1
- iPod mini: Ver.1.4.1
- First-generation iPod nano: Ver.1.3
- Second-generation iPod nano: Ver.1.1
(video function of fifth-generation iPod and photo function of iPod photo are not supported).

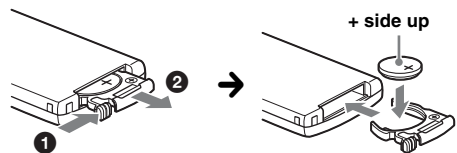
For customers in USA, please visit the following site for further information:
<http://www.xplodsony.com>

If you have any questions or problems concerning your unit that are not covered in this manual, consult your nearest Sony dealer.

Maintenance

Replacing the lithium battery of the card remote commander

Under normal conditions, the battery will last approximately 1 year. (The service life may be shorter, depending on the conditions of use.) When the battery becomes weak, the range of the card remote commander becomes shorter. Replace the battery with a new CR2025 lithium battery. Use of any other battery may present a risk of fire or explosion.



Notes on the lithium battery

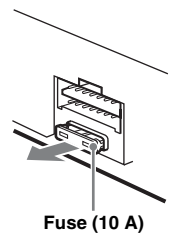
- Keep the lithium battery out of the reach of children. Should the battery be swallowed, immediately consult a doctor.
- Wipe the battery with a dry cloth to assure a good contact.
- Be sure to observe the correct polarity when installing the battery.
- Do not hold the battery with metallic tweezers, otherwise a short-circuit may occur.

WARNING

Battery may explode if mistreated.
Do not recharge, disassemble, or dispose of in fire.

Fuse replacement

When replacing the fuse, be sure to use one matching the amperage rating stated on the original fuse. If the fuse blows, check the power connection and replace the fuse. If the fuse blows again after replacement, there may be an internal malfunction. In such a case, consult your nearest Sony dealer.



Specifications

CDX-H905IP only

AUDIO POWER SPECIFICATIONS

POWER OUTPUT AND TOTAL HARMONIC DISTORTION

23.2 watts per channel minimum continuous average power into 4 ohms, 4 channels driven from 20 Hz to 20 kHz with no more than 5% total harmonic distortion.

CDX-H905IP only



CEA2006 Standard
Power Output: 17 Watts RMS \times 4 at 4 Ohms < 1% THD+N
SN Ratio: 82 dBA
(reference: 1 Watt into 4 Ohms)

CD Player section

Signal-to-noise ratio: 120 dB

Frequency response: 10 – 20,000 Hz

Wow and flutter: Below measurable limit

Tuner section

CDX-H905IP:

FM

Tuning range:

87.5 – 108.0 MHz (at 50 kHz step)

87.5 – 107.9 MHz (at 200 kHz step)

FM tuning interval: 50 kHz/200 kHz switchable

Antenna (aerial) terminal:

External antenna (aerial) connector

Intermediate frequency: 10.7 MHz/450 kHz

Usable sensitivity: 9 dBf

Selectivity: 75 dB at 400 kHz

Signal-to-noise ratio: 67 dB (stereo), 69 dB (mono)

Harmonic distortion at 1 kHz: 0.5 % (stereo), 0.3 % (mono)

Separation: 35 dB at 1 kHz

Frequency response: 30 – 15,000 Hz

AM

Tuning range:

531 – 1,602 kHz (at 9 kHz step)

530 – 1,710 kHz (at 10 kHz step)

AM tuning interval: 9kHz/10kHz switchable

Antenna (aerial) terminal:

External antenna (aerial) connector

Intermediate frequency: 10.7 MHz/450 kHz

Sensitivity: 30 μ V

CDX-HR905IP:

FM

Tuning range: 87.5 – 108.0 MHz

Antenna (aerial) terminal:

External antenna (aerial) connector

Intermediate frequency: 10.7 MHz/450 kHz

Usable sensitivity: 9 dBf

Selectivity: 75 dB at 400 kHz

Signal-to-noise ratio: 67 dB (stereo), 69 dB (mono)

Harmonic distortion at 1 kHz: 0.5 % (stereo), 0.3 % (mono)

Separation: 35 dB at 1 kHz

Frequency response: 30 – 15,000 Hz

MW/LW

Tuning range:

MW: 531 – 1,602 kHz

LW: 153 – 279 kHz

Antenna (aerial) terminal:

External antenna (aerial) connector

Intermediate frequency: 10.7 MHz/450 kHz

Sensitivity: MW: 30 μ V, LW: 40 μ V

Power amplifier section

Outputs: Speaker outputs (sure seal connectors)

Speaker impedance: 4 – 8 ohms

Maximum power output: 52 W \times 4 (at 4 ohms)

General

Outputs:

Audio outputs terminal (front, rear/sub switchable)

Power antenna (aerial) relay control terminal

Power amplifier control terminal

Inputs:

Telephone ATT control terminal

Illumination control terminal

BUS control input terminal

BUS audio input terminal

Remote controller input terminal

Antenna (aerial) input terminal

AUX input terminal

iPod signal input terminal (dock connector)

Tone controls:

Low: \pm 10 dB at 60 Hz (XPLOD)

Mid: \pm 10 dB at 1 kHz (XPLOD)

High: \pm 10 dB at 10 kHz (XPLOD)

Power requirements: 12 V DC boat battery (negative ground (earth))

Dimensions: Approx. 197 \times 89 \times 187 mm (7 ⁷/₈ \times 3 ⁵/₈ \times 7 ³/₈ in) (w/h/d)

Mounting dimensions: Approx. 181 \times 52 \times 144 mm (7 ¹/₄ \times 2 ¹/₈ \times 5 ³/₄ in) (w/h/d)

Mass: Approx. 1.8 kg (4 lb)

Supplied accessories:

Card remote commander: RM-X151

Parts for installation and connections (1 set)

continue to next page →

Optional accessories/equipment*:

Marine remote commander: RM-X55M,
RM-X11M
BUS cable (supplied with an RCA pin cord):
RC-61 (1 m), RC-62 (2 m)
CD changer (10 discs): CDX-757MX
CD changer (6 discs): CDX-T70MX, CDX-T69
Source selector: XA-C40
AUX-IN selector: XA-300
for CDX-H905IP
HD Radio™ tuner: XT-100HD

* *Accessories/equipment other than the marine remote commander RM-X55M/X11M are not waterproof. Do not subject them to water.*

Your dealer may not handle some of the above listed accessories. Please ask the dealer for detailed information.

US and foreign patents licensed from Dolby Laboratories.

MPEG Layer-3 audio coding technology and patents licensed from Fraunhofer IIS and Thomson.

This product is protected by certain intellectual property rights of Microsoft Corporation. Use or distribution of such technology outside of this product is prohibited without a license from Microsoft or an authorized Microsoft subsidiary.

Note

This unit cannot be connected to a digital preamplifier or an equalizer which is Sony BUS system compatible.

Design and specifications are subject to change without notice.



- Halogenated flame retardants are not used in the certain printed wiring boards.
- Halogenated flame retardants are not used in cabinets.
- Packaging cushions are made from paper.

Troubleshooting

The following checklist will help you remedy problems you may encounter with your unit. Before going through the checklist below, check the connection and operating procedures.

General

No power is being supplied to the unit.

- Check the connection. If everything is in order, check the fuse.
- If the unit is turned off and the display disappears, it cannot be operated with the remote commander.
→ Turn on the unit.

The power antenna (aerial) does not extend.

The power antenna (aerial) does not have a relay box.

No sound.

- The volume is too low.
- The ATT function is activated, or the Telephone ATT function (when the interface cable of a telephone is connected to the ATT lead) is activated.
- The position of the fader control "FAD" is not set for a 2-speaker system.
- The CD changer is incompatible with the disc (MP3/WMA/AAC/ATRAC CD).
→ Play back with a Sony MP3 compatible CD changer, or this unit.

No beep sound.

- The beep sound is canceled (page 16).
- An optional power amplifier is connected and you are not using the built-in amplifier.

The contents of the memory have been erased.

- The RESET button has been pressed.
→ Store again into the memory.
- The power supply lead or battery has been disconnected.
- The power supply lead is not connected properly.

Stored stations and correct time are erased.

The fuse has blown.

Makes noise when the position of the ignition is switched.

The leads are not matched correctly with the boat's accessory power connector.

During playback or reception, demonstration mode starts.

If no operation is performed for 5 minutes with "DEMO-ON" set, demonstration mode starts.

→ Set "DEMO-OFF" (page 16).

The display disappears from/does not appear in the display window.

- The dimmer is set "DIM-ON" (page 16).
- The display disappears if you press and hold **OFF**.
→ Press and hold **OFF** on the unit until the display appears.

The Auto Off function does not operate.

The unit is turned on. The Auto Off function activates after turning off the unit.

→ Turn off the unit.

Card remote commander operation is not possible.

Make sure the insulation film has been removed (page 7).

DSO does not function.

Depending on the boat's interior or type of music, DSO may not have a desirable effect.

CD/MD playback

The disc cannot be loaded.

- Another disc is already loaded.
- The disc has been forcibly inserted upside down or in the wrong way.

The disc does not playback.

- Defective or dirty disc.
- The CD-Rs/CD-RWs are not for audio use (page 19).
- The disc format and file version are incompatible with this unit (For details, refer to page 6 and 19).

MP3/WMA/AAC files take longer to play back than others.

The following discs take a longer time to start playback.

- a disc recorded with a complicated tree structure.
- a disc recorded in Multi Session.
- a disc to which data can be added.

The ATRAC CD cannot play.

- The disc is not created by authorized software, such as SonicStage or SonicStage Simple Burner.
- Tracks that are not included in the group cannot be played.

The display items do not scroll.

- For discs with very many characters, those may not scroll.
- "A.SCRL" is set to "OFF".
→ Set "A.SCRL-ON" (page 16) or press (SCRL).

The sound skips.

- Installation is not correct.
→ Install the unit at an angle of less than 45° in a sturdy part of the boat.
- Defective or dirty disc.

The operation buttons do not function.

The disc will not eject.

Press the RESET button (page 7).

Radio reception

The stations cannot be received.

The sound is hampered by noises.

- Connect a power antenna (aerial) control lead (blue) or accessory power supply lead (red) to the power supply lead of the boat's antenna (aerial) booster (only when the boat has built-in antenna (aerial)).
- Check the connection of the boat antenna (aerial).
- The auto antenna (aerial) will not go up.
→ Check the connection of the power antenna (aerial) control lead.
- Check the frequency.
- When the DSO mode is on, the sound is sometimes hampered by noises.
→ Set the DSO mode to "OFF" (page 9).

Preset tuning is not possible.

- Store the correct frequency in the memory.
- The broadcast signal is too weak.

Automatic tuning is not possible.

- Setting of the local seek mode is not correct.
→ Tuning stops too frequently:
Set "LOCAL-ON" (page 16).
→ Tuning does not stop at a station:
Set "MONO-ON" (page 16).
- The broadcast signal is too weak.
→ Perform manual tuning.

During FM reception, the "ST" indication flashes.

- Tune in the frequency accurately.
- The broadcast signal is too weak.
→ Set "MONO-ON" (page 16).

An FM program broadcast in stereo is heard in monaural.

The unit is in monaural reception mode.
→ Set "MONO-OFF" (page 16).

RDS (CDX-HR905IP)

The SEEK starts after a few seconds of listening.

The station is non-TP or has weak signal.
→ Deactivate TA (page 12).

No traffic announcements.

- Activate TA (page 12).
- The station does not broadcast any traffic announcements despite being TP.
→ Tune in another station.

PTY displays "- - - - -"

- The current station is not an RDS station.
- RDS data has not been received.
- The station does not specify the program type.

Error displays/Messages

BLANK

- Tracks have not been recorded on the MD.*1
→ Play an MD with recorded tracks.

ERROR*2

- The disc is dirty or inserted upside down.*1
→ Clean or insert the disc correctly.
- A blank disc has been inserted.
- The disc cannot play due to a problem.
→ Insert another disc.

FAILURE

- The connection of speakers/amplifiers is incorrect.
→ See the installation guide manual of this model to check the connection.

FAILURE (Illuminates for about 1 second.) (CDX-H905IP only)

- When the XM tuner is connected, storing an XM radio channel into a preset failed.
→ Be sure to receive the channel that you want to store, then try it again.

LOAD

- The changer is loading the disc.
→ Wait until loading is complete.

L. SEEK +/-

- The local seek mode is on during automatic tuning.

NO AF (CDX-HR905IP only)

- There is no alternative frequency for the current station.
→ Press (SEEK) +/- while the program service name is flashing. The unit starts searching for another frequency with the same PI (Program Identification) data ("PI SEEK" appears).

NO DISC

- The disc is not inserted in the CD/MD changer.
→ Insert discs in the changer.

NO INFO

- Text information is not written in the MP3/WMA/AAC files or ATRAC CD.

NO IPOD

- No iPod connected.
→ Connect iPod to dock connector.
If "NO IPOD" appears while connecting the iPod to the dock connector, disconnect the iPod from the dock connector, then reconnect.

NO MAG

- The disc magazine is not inserted in the CD changer.
→ Insert the magazine in the changer.

NO MUSIC

- The disc does not contain a music file.
→ Insert a music CD in this unit or MP3 playable changer.

NO NAME

- A disc/group/track name is not written in the track.

NO TP (CDX-HR905IP only)

- The unit will continue searching for available TP stations.

NOTREADY

- The lid of the MD changer is open or the MDs are not inserted properly.

- Close the lid or insert the MDs properly.

OFFSET

- There may be an internal malfunction.
→ Check the connection. If the error indication remains on in the display, consult your nearest Sony dealer.

READ

- The unit is reading all track and group/album information on the disc.
→ Wait until reading is complete and playback starts automatically. Depending on the disc structure, it may take more than a minute.

RESET

- The CD unit and CD/MD changer cannot be operated due to a problem.
→ Press the RESET button (page 7).

"LLLL" or "rrrr"

- During reverse or fast-forward, you have reached the beginning or the end of the disc and you cannot go any further.

"—"

- The character cannot be displayed with the unit.

*1 The disc number of the disc causing the error appears in the display.

*2 If an error occurs during playback of a CD or MD, the disc number of the CD or MD does not appear in the display.

If these solutions do not help improve the situation, consult your nearest Sony dealer.
If you take the unit to be repaired because of CD playback trouble, bring the disc that was used at the time the problem began.

En ce qui concerne l'installation et les connexions, consulter le manuel d'installation/raccordement fourni.

CDX-H905IP uniquement

ATTENTION

L'utilisation d'instruments optiques avec ce produit augmente les risques pour les yeux.

**CLASS 1
LASER PRODUCT**

Cette étiquette est située sur la partie inférieure du châssis.

Le fabricant de ce produit est Sony Corporation, 1-7-1 Konan, Minato-ku, Tokyo, 108-0075 Japon. Son représentant autorisé concernant la CEM et la sécurité du produit est Sony Deutschland GmbH Hedelfinger Strasse 61, 70327 Stuttgart, Allemagne. Veuillez vous référer aux adresses indiquées dans les documents d'entretien ou de garantie séparés concernant toute question relative à l'entretien et à la garantie.

 **Traitement des appareils électriques et électroniques en fin de vie (Applicable dans les pays de l'Union Européenne et aux autres pays européens disposant de systèmes de collecte sélective)**

Ce symbole, apposé sur le produit ou sur son emballage, indique que ce produit ne doit pas être traité avec les déchets ménagers. Il doit être remis à un point de collecte approprié pour le recyclage des équipements électriques et électroniques. En s'assurant que ce produit est bien mis au rebut de manière appropriée, vous aiderez à prévenir les conséquences négatives potentielles pour l'environnement et la santé humaine. Le recyclage des matériaux aidera à préserver les ressources naturelles. Pour toute information supplémentaire au sujet du recyclage de ce produit, vous pouvez contacter votre municipalité, votre déchetterie ou le magasin où vous avez acheté le produit.

Accessoire compatible : Télécommande



Élimination des piles et accumulateurs usages (Applicable dans les pays de l'Union Européenne et aux autres pays européens disposant de systèmes de collecte sélective)

Ce symbole, apposé sur les piles et accumulateurs ou sur les emballages, indique que les piles et accumulateurs fournis avec ce produit ne doivent pas être traités comme de simples déchets ménagers. En vous assurant que ces piles et accumulateurs sont mis au rebut de façon appropriée, vous participez activement à la prévention des conséquences négatives que leur mauvais traitement pourrait provoquer sur l'environnement et sur la santé humaine. Le recyclage des matériaux contribue par ailleurs à la préservation des ressources naturelles. Pour les produits qui pour des raisons de sécurité, de performance ou d'intégrité de données nécessitent une connexion permanente à une pile ou à un accumulateur, il conviendra de vous rapprocher d'un service technique qualifié pour effectuer le remplacement de celle-ci. En rapportant votre appareil électrique en fin de vie à un point de collecte approprié vous vous assurez que la batterie incorporée sera traitée correctement. Pour tous les autres cas de figure et afin d'enlever les piles ou accumulateurs en toute sécurité de votre appareil, reportez-vous au manuel d'utilisation. Rapporter les batteries usagées au point de collecte approprié pour le recyclage. Pour toute information complémentaire au sujet du recyclage de ce produit ou des piles et batteries, vous pouvez contacter votre municipalité, votre déchetterie locale ou le point de vente où vous avez acheté ce produit.

SonicStage et son logo sont des marques commerciales de Sony Corporation. « ATRAC » et son logo sont des marques commerciales de Sony Corporation.



Microsoft, Windows Media et le logo Windows sont des marques de commerce ou des marques déposées de

Microsoft Corporation aux États-Unis et/ou dans d'autres pays.

iPod est une marque commerciale de Apple Inc., déposée aux États-Unis et dans d'autres pays/régions.

CDX-H905IP uniquement

**HD Radio[®]
R E A D Y**

Le logo « HD Radio Ready » indique que ce produit commande un tuner HD Radio[™] Sony (vendu séparément).

Pour obtenir plus d'informations sur le fonctionnement du tuner HD Radio[™], veuillez vous reporter au mode d'emploi du tuner HD Radio[™].

Le logo HD Radio Ready est une marque enregistrée d'iBiquity.

HD Radio[™] est une marque enregistrée d'iBiquity Digital Corp.

Table des matières

Félicitations !	4
-----------------------	---

Préparation

Réinitialisation de l'appareil	5
Préparation de la mini-télécommande	5
Réglage de l'horloge	5
Insertion du disque dans l'appareil	5
Ejection du disque	5

Emplacement des commandes et opérations de base

Appareil principal	6
Mini-télécommande RM-X151	8

CD

Rubriques d'affichage	9
Lecture répétée et aléatoire	9

Radio

Mémorisation et réception des stations	9
Mémorisation automatique — BTM	9
Mémorisation manuelle	9
Réception des stations mémorisées	10
Recherche automatique des fréquences	10
RDS (CDX-HR905IP)	10
Aperçu	10
Réglages AF et TA	10
Sélection de PTY	11
Réglage de CT	11

iPod

Lecture sur un iPod	12
Lecture de pages	12
Rubriques d'affichage	12
Réglage du mode de lecture	12
Sélection de Album, Artiste ou Liste de lecture	12
Lecture répétée et aléatoire	13
Balayage	13

Autres fonctions

Modification des caractéristiques du son	13
Réglage des caractéristiques du son	
— BAL/FAD/SUB	13
Personnalisation de la courbe de l'égaliseur	
— EQ3	13
Réglage des paramètres de configuration	
— SET	14
Utilisation d'un appareil en option	15
Changeur CD/MD	15
Télécommande marine RM-X55M/	
X11M	16
Appareil audio auxiliaire	16

Informations complémentaires

Précautions	17
Remarques sur les disques	17
Ordre de lecture des fichiers MP3/WMA/	
AAC	18
A propos des fichiers MP3	18
A propos des fichiers WMA	18
A propos des fichiers AAC	18
A propos des CD ATRAC	18
A propos de l'iPod	19
Entretien	19
Spécifications	20
Dépannage	21
Affichage des erreurs et messages	22

CDX-H905IP uniquement



Le logo « SAT Radio Ready » indique que ce produit commande un module tuner radio satellite (vendu

séparément). Consultez votre détaillant agréé Sony le plus proche pour en savoir plus sur le fonctionnement du module tuner radio satellite. « SAT Radio », « SAT Radio Ready », les logos SAT Radio et SAT Radio Ready, ainsi que toutes les marques associées sont des marques de commerce de Sirius Satellite Radio Inc. et de XM Satellite Radio Inc.

Avertissement au cas où le contact de votre bateau ne dispose pas d'une position ACC

Veillez à activer la fonction arrêt automatique (page 14).

L'appareil s'éteint alors complètement et automatiquement à l'issue d'un délai réglé, une fois l'appareil mis hors tension. Cela évite que la batterie ne se décharge.

Si vous n'activez pas la fonction arrêt automatique, appuyez sur **(OFF)** et maintenez-la enfoncée jusqu'à ce que l'affichage disparaisse chaque fois que vous coupez le contact.

Félicitations !

Nous vous remercions d'avoir fait l'acquisition de ce lecteur de disques compacts Sony. Vous pouvez profiter de votre navigation grâce aux fonctions ci-dessous.

• Lecture de CD

Possibilité de lecture de CD-DA (contenant également des informations CD TEXT*), de CD-R/CD-RW (fichiers MP3/WMA contenant également des multisections (page 18)) et des CD ATRAC (formats ATRAC3 et ATRAC3plus (page 18)).

Type de disque	Symbole indiqué sur le disque	
CD-DA		
MP3 WMA AAC CD ATRAC		

• Réception radio

– Vous pouvez mémoriser jusqu'à 6 stations pour chaque bande de fréquences.

CDX-H905IP :

FM1, FM2, FM3, AM1 et AM2

CDX-HR905IP :

FM1, FM2, FM3, MW (PO) et LW(GO)

– **BTM** (mémorisation des meilleurs accords) : l'appareil sélectionne les stations émettant des signaux et les mémorise.

• Services RDS

– Vous pouvez écouter des stations FM disposant du système RDS (Système de radiocommunication de données) en Europe. (CDX-HR905IP)

• Réglage du son

– **EQ3 stage2** : Vous pouvez choisir une des 7 courbes d'égaliseur prédéfinies.

– **DSO** (répartiteur dynamique du son) : crée un champ sonore mieux réparti grâce à une synthèse de haut-parleurs virtuels, afin d'améliorer le son des haut-parleurs même si ceux-ci sont installés dans la partie inférieure des portières.

• Fonctionnement de l'appareil en option

Différents types d'appareils audio peuvent être raccordés.

– **iPod** : vous pouvez raccorder un iPod via le câble du connecteur dock situé à l'arrière de l'appareil.

– **Appareil audio portatif** : une prise d'entrée AUX située à l'arrière de l'appareil permet de raccorder un appareil audio portatif (connexion analogique).

– **Changeurs CD/MD** : des changeurs CD/MD peuvent être raccordés au BUS Sony à l'arrière de l'appareil.

A propos de l'étanchéité

Cet appareil est conçu pour être utilisé dans un environnement marin. Pour protéger l'appareil des projections d'eau, des vagues, de la pluie, de l'humidité, des rayons ultraviolets, etc., il a été soumis aux tests suivants afin de s'assurer de sa fiabilité et de son bon fonctionnement (façade uniquement) :

- Façade étanche – certifiée IPx5
- Résistance au brouillard salin – testé selon la norme ASTM B117
- Carte de circuit enrobé conforme
- Résistance aux UV – testée selon la norme ASTM G154

Remarques

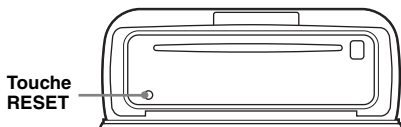
- *Veillez à laisser la façade fermée pour garantir une étanchéité optimale, sauf lors de l'insertion ou de l'éjection d'un disque.*
- *L'appareil, à l'exception de la façade, ne doit pas entrer en contact avec l'eau.*
- *N'utilisez pas l'appareil dans les endroits suivants :*
 - les lieux où il pourrait être soumis à une pression d'eau élevée, dans une source chaude ou une baignoire, etc. ;
 - sous l'eau.

Préparation

Réinitialisation de l'appareil

Avant la première mise en service de l'appareil ou après avoir remplacé la batterie du bateau ou modifié les raccordements, vous devez réinitialiser l'appareil.

Retirez la façade et appuyez sur la touche RESET avec un objet pointu, comme un stylo à bille.

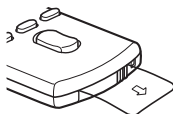


Remarque

Une pression sur la touche RESET remet l'heure à zéro et efface certaines informations mémorisées.

Préparation de la mini-télécommande

Retirez la feuille isolante avant d'utiliser la mini-télécommande pour la première fois.



Conseil

Pour obtenir des informations sur la façon de remplacer la pile, reportez-vous à la section « Remplacement de la pile au lithium de la mini-télécommande » à la page 19.

Réglage de l'horloge

CDX-H905IP :

Cycle de 12 heures

CDX-HR905IP :

Cycle de 24 heures

- 1 Appuyez sur la touche **(SELECT)** et maintenez-la enfoncée.

L'écran de configuration apparaît.

- 2 Appuyez plusieurs fois sur **(SELECT)** jusqu'à ce que « CLOCK-ADJ » apparaisse.

- 3 Appuyez sur **(SEEK)** +.

L'indication des heures clignote.

- 4 Tournez la molette de réglage du volume pour régler les heures et les minutes.

Appuyez sur **(DSPL)** pour déplacer l'indication numérique.

- 5 Appuyez sur **(SELECT)**.

La configuration est terminée et l'horloge démarre.

Pour afficher l'horloge, appuyez sur **(DSPL)**.

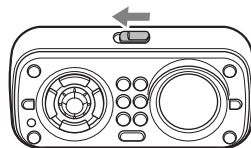
Appuyez de nouveau sur **(DSPL)** pour revenir à l'écran précédent.

Conseil

Vous pouvez régler l'horloge automatiquement au moyen de la fonction RDS (page 11). (CDX-HR905IP uniquement)

Insertion du disque dans l'appareil

- 1 Faites glisser le commutateur OPEN dans le sens de la flèche.



- 2 Ouvrez la façade.

- 3 Insérez le disque (côté imprimé vers le haut).



- 4 Fermez la façade.

La lecture commence automatiquement.

Remarques

- Ne posez rien sur la face interne de la façade.
- Veillez à fermer la façade en cours de fonctionnement.

Ejection du disque

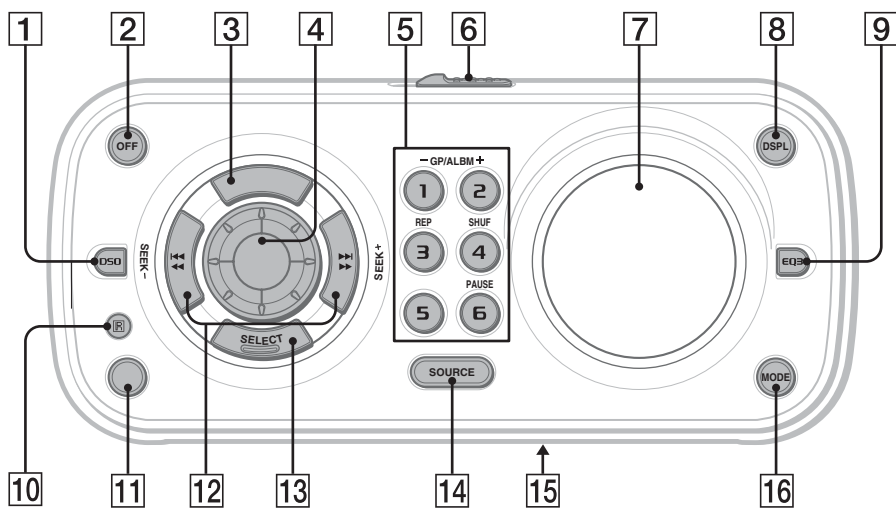
- 1 Faites glisser le commutateur OPEN et ouvrez la façade.

- 2 Appuyez sur **▲**.
Le disque est éjecté.

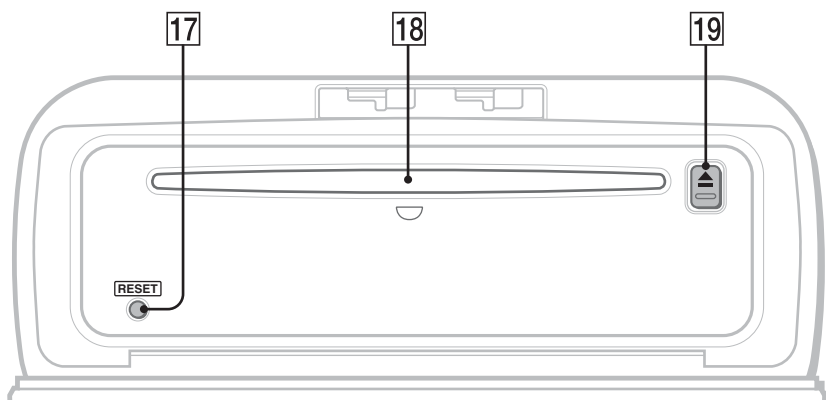
- 3 Fermez la façade.

Emplacement des commandes et opérations de base

Appareil principal



Façade ouverte



Cette section contient les instructions relatives à l'emplacement des commandes et aux opérations de base. Pour plus de détails, reportez-vous aux numéros de pages correspondants.

Pour plus d'informations sur le fonctionnement de l'iPod reportez-vous à la section « iPod » à la page 12 ; pour plus d'informations sur le fonctionnement d'appareils en option (changeurs CD/MD, etc.), reportez-vous à la section « Utilisation d'un appareil en option » à la page 15. Les touches correspondantes de la mini-télécommande commandent les mêmes fonctions que celles de l'appareil.

1 Touche DSO page 4
Permet de sélectionner le mode DSO (1, 2, 3 ou OFF). Plus la valeur est élevée, plus l'effet est prononcé.

2 Touche OFF
Permet de mettre l'appareil hors tension ; d'arrêter la source.

3 Touche SCRL (défilement) (CDX-H905IP)
Permet de faire défiler la rubrique d'affichage.

**Touche AF (fréquences alternatives)/
TA (messages de radioguidage) (CDX-HR905IP)** page 10
Permet de régler AF et TA en RDS.

4 Molette de réglage du volume
page 13
Permet de régler le niveau du volume.

5 Touches numériques
CD/PD :
① / ② : GP/ALBM +/-
Permettent de sauter des albums (appuyez) ; de sauter des albums en continu (appuyez sur la touche et maintenez-la enfoncée).

③ : REP page 9

④ : SHUF page 9

⑥ : PAUSE

Permet d'effectuer une pause lors de la lecture d'un CD sur cet appareil. Appuyez de nouveau sur cette touche pour annuler.

Radio :
Permettent de capter les stations enregistrées (appuyez) ; de mémoriser des stations (appuyez sur la touche et maintenez-la enfoncée).

6 Commutateur OPEN page 5

7 Fenêtre d'affichage

8 Touche DSPL (affichage) page 9, 10
Permet de changer les rubriques d'affichage.

9 Touche EQ3 (égaliseur) page 13
Permet de sélectionner un type d'égaliseur (XPLD, VOCAL, EDGE, CRUISE, SPACE, GRAVITY, CUSTOM ou OFF).

10 Récepteur de la mini-télécommande

11 Touche BTM/CAT (CDX-H905IP)
page 9
Permet de lancer la fonction BTM (appuyez sur la touche et maintenez-la enfoncée).

Touche PTY (Type d'émission) (CDX-HR905IP) page 11
Permet de sélectionner PTY en RDS.

**12 Touches SEEK +/-
CD/PD :**
Permet de sauter des plages (appuyez) ; de sauter des plages successives (appuyez une première fois, puis une seconde fois dans un délai d'environ 1 seconde tout en maintenant la touche enfoncée) ; d'avancer/reculer rapidement dans une plage (appuyez sur la touche et maintenez-la enfoncée).

Radio :
Permet de régler des stations automatiquement (appuyez) ; de rechercher une station manuellement (appuyez sur la touche et maintenez-la enfoncée).

13 Touche SELECT
Permet de régler des paramètres de configuration.

14 Touche SOURCE
Permet de mettre l'appareil sous tension et de changer de source (Radio/CD/AUX/PD)*.

15 Sélecteur de fréquence (CDX-H905IP)
(situé sur la partie inférieure de l'appareil)
Pour de plus amples informations, reportez-vous à la section « Sélecteur de fréquence » du manuel d'installation/connexions fourni.

16 Touche MODE page 9
Permet de sélectionner la bande radio* ; de sélectionner le mode de lecture de l'iPod.

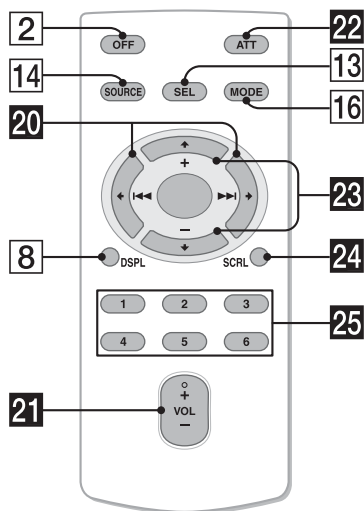
17 Touche RESET page 5

18 Fente d'insertion des disques page 5
Permet d'insérer le disque.

19 Touche ▲ (éjection) page 5
Permet d'éjecter le disque.

suite à la page suivante →

Mini-télécommande RM-X151



* Lorsqu'un changeur CD/MD, un tuner radio HD ou un tuner SAT est raccordé, si vous appuyez sur (SOURCE), l'appareil (« MD », « HD », « XM » ou « SR ») apparaît dans l'affichage, selon l'appareil raccordé. En outre, si vous appuyez sur (MODE), vous pouvez changer de changeur, de bande de tuner HD ou de tuner SAT.

(Un tuner radio HD ou un tuner SAT peut être raccordé uniquement au modèle CDX-H9051P.)

Remarque

Si vous mettez l'appareil hors tension et que l'affichage est désactivé, il ne peut plus être utilisé avec la mini-télécommande sauf si vous enfoncez la touche (SOURCE) de l'appareil ou si vous insérez un disque dans le lecteur pour l'activer.

Les touches suivantes de la mini-télécommande ont également des touches ou des fonctions différentes de celles de l'appareil. Retirez la feuille isolante avant l'utilisation (page 5).

20 Touches ← (I<<<)/→ (▶▶▶)

Permet de commander le CD/la radio/PD, identiques aux touches (SEEK) -/+ de l'appareil.

Il est possible d'atteindre la configuration, le réglage du son, etc., avec ← →.

21 Touche VOL (volume) +/-

Permet de régler le niveau du volume.

22 Touche ATT (atténuer)

Permet d'atténuer le son. Appuyez de nouveau sur cette touche pour annuler.

23 Touches ↑ (+)/↓ (-)

Permettent de commander le lecteur CD/PD, identiques à la commande (GP/ALBM) -/+ de l'appareil.

Il est possible d'atteindre la configuration, le réglage du son, etc., avec ↑ ↓.

24 Touche SCRL (défilement)

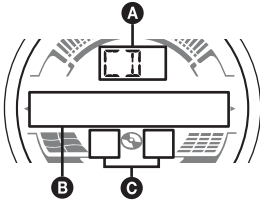
Permet de faire défiler la rubrique d'affichage.

25 Touches numériques

Permettent de capter les stations enregistrées (appuyez) ; de mémoriser des stations (appuyez sur la touche et maintenez-la enfoncée).

Pour obtenir des informations détaillées sur le raccordement à un changeur CD/MD, reportez-vous à la page 15.

Rubriques d'affichage



- A** Source
 - B** Numéro de page/temps de lecture écoulé, nom du disque/de l'artiste, numéro de l'album/groupe* nom de l'album/groupe, nom de la plage, informations textuelles, horloge
 - C** Indication ATRAC/WMA/MP3/AAC
- * Le numéro de l'album/groupe s'affiche uniquement lorsque vous changez d'album/de groupe.

Pour modifier les rubriques d'affichage **B**, appuyez sur **(DSPL)**.

Conseil

Les paramètres affichés diffèrent selon le type de disque, le format d'enregistrement et les réglages. Pour plus de détails sur le format MP3/WMA/AAC et sur les CD ATRAC, reportez-vous à la page 18.

Lecture répétée et aléatoire

- 1** En cours de lecture, appuyez plusieurs fois sur **(3)** **(REP)** ou **(4)** **(SHUF)** jusqu'à ce que le réglage souhaité apparisse.

Sélectionnez	Pour lire
↶ TRACK	une plage en boucle.
↶ ALBUM*1	un album en boucle.
↶ GROUP*2	un groupe en boucle.
SHUF ALBUM*1	un album dans un ordre aléatoire.
SHUF GROUP*2	un groupe dans un ordre aléatoire.
SHUF DISC	un disque dans un ordre aléatoire.

*1 Lors de la lecture d'un fichier MP3/WMA/AAC.
 *2 Lors de la lecture d'un CD ATRAC.

Pour revenir au mode de lecture normal, sélectionnez « **↶ OFF** » ou « **SHUF OFF** ».

Mémorisation et réception des stations

Attention

Pour syntoniser des stations pendant que vous naviguez, utilisez la fonction de mémorisation des meilleurs accords (BTM) afin d'éviter les accidents.

Mémorisation automatique — BTM

- 1** Appuyez plusieurs fois sur **(SOURCE)** jusqu'à ce que l'indication « **TUNER** » apparaisse.
 Pour changer de bande, appuyez plusieurs fois sur **(MODE)**.
- 2** Appuyez sur la touche **(SELECT)** et maintenez-la enfoncée.
 L'écran de configuration apparaît.
- 3** Appuyez plusieurs fois sur la touche **(SELECT)** jusqu'à ce que « **BTM** » s'affiche.
- 4** Appuyez sur **(SEEK) +**.
 L'appareil enregistre les stations sur les touches numériques dans l'ordre des fréquences.
 Un bip retentit lorsque le réglage est mémorisé.

Mémorisation via la touche BTM

(CDX-H905IP uniquement)

Appuyez sur la touche **(BTM)** et maintenez-la enfoncée jusqu'à ce que « **BTM** » clignote, au lieu d'exécuter les étapes 2 à 4.

Mémorisation manuelle

- 1** Lorsque vous recevez la station que vous souhaitez mémoriser, appuyez sur une touche numérique **(1)** à **(6)** et maintenez-la enfoncée jusqu'à ce que « **MEM** » apparaisse.
 Le numéro de la touche apparaît dans la fenêtre d'affichage.

Remarque

Si vous mémorisez une autre station sur la même touche numérique, la station mémorisée précédemment est effacée.

Conseil

Lorsqu'une station RDS est mémorisée, le réglage AF/TA est également mémorisé (page 10). (CDX-HR905IP uniquement)

Réception des stations mémorisées

- 1 Sélectionnez la bande, puis appuyez sur une touche numérique (① à ⑥).

Recherche automatique des fréquences

- 1 Sélectionnez la bande, puis appuyez sur (SEEK) +/- pour rechercher la station.

Le balayage s'interrompt lorsque l'appareil capte une station. Répétez cette procédure jusqu'à ce que vous captiez la station souhaitée.

Conseil

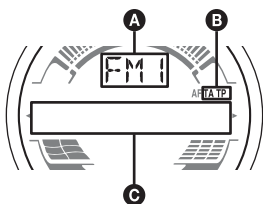
Si vous connaissez la fréquence de la station que vous souhaitez écouter, appuyez sur la touche (SEEK) +/- et maintenez-la enfoncée pour localiser la fréquence approximativement, puis appuyez plusieurs fois sur (SEEK) +/- pour régler la fréquence souhaitée avec précision (syntonisation manuelle).

RDS (CDX-HR905IP)

Aperçu

Les stations FM disposant du système RDS (Système de radiocommunication de données) transmettent des informations numériques inaudibles en même temps que le signal normal de leurs émissions radio.

Rubriques d'affichage



- A Bande radio, Fonction
- B TA/TP*1
- C Fréquence*2 (nom du service de l'émission), numéro de présélection, horloge, données RDS

*1 L'indication « TA » clignote pendant les messages de radioguidage. L'indication « TP » s'allume lorsqu'une de ces stations est captée.

*2 Lorsque vous captez la station RDS, « * » est affiché à gauche de l'indication de la fréquence.

Pour modifier les rubriques d'affichage C, appuyez sur (DSPL).

Services RDS

Cet appareil propose automatiquement les services RDS, comme suit :

AF (Fréquences alternatives)

Permet de sélectionner et de régler de nouveau la station ayant le signal le plus fort sur un réseau. Cette fonction vous permet d'écouter la même émission en continu pendant une longue navigation sans avoir à régler de nouveau cette station manuellement.

TA (Messages de radioguidage)/

TP (Programmes de radioguidage)

Propose les messages et les programmes de radioguidage disponibles à cet instant. Tout message/programme reçu interrompt la source sélectionnée en cours de diffusion.

PTY (Types d'émission)

Permet d'afficher le type de l'émission en cours et de rechercher votre type d'émission sélectionné.

CT (Heure)

Les données CT (heure) accompagnant la transmission RDS assurent un réglage de l'horloge.

Remarques

- Selon le pays ou la région où vous vous trouvez, il est possible que les services RDS ne soient pas tous disponibles.
- La fonction RDS ne fonctionne pas correctement si le signal de retransmission est faible ou si la station syntonisée ne transmet pas de données RDS.

Réglages AF et TA

- 1 Appuyez plusieurs fois sur (AF/TA) jusqu'à ce que le réglage souhaité apparaisse.

Sélectionnez Pour

AF-ON activer AF et désactiver TA.

TA-ON activer TA et désactiver AF.

AF, TA-ON activer AF et TA.

AF, TA-OFF désactiver AF et TA.

Mémorisation des stations RDS avec les réglages AF et TA

Vous pouvez présélectionner les stations RDS avec les réglages AF/TA. Si vous utilisez la fonction BTM, seules les stations RDS sont mémorisées avec les mêmes réglages AF/TA. Si vous effectuez une présélection manuelle, vous pouvez présélectionner à la fois des stations RDS et non-RDS, avec leurs réglages AF/TA respectifs.

- 1 Réglez AF/TA, puis mémorisez la station à l'aide de la fonction BTM ou manuellement.

Réception de messages d'urgence

Lorsque la fonction AF ou TA est activée, les messages d'urgence interrompent automatiquement la source sélectionnée en cours de diffusion.

Conseil

Si vous réglez le niveau de volume pendant la diffusion d'un message de radioguidage, ce niveau sera enregistré dans la mémoire pour les messages de radioguidage suivants, indépendamment du niveau de volume normal.

Écoute continue d'une émission régionale — REG

Lorsque la fonction AF est activée : ce réglage par défaut restreint la réception à une région spécifique, afin qu'une station régionale ayant une fréquence plus puissante ne soit pas captée.

Si vous quittez la zone de réception de cette émission régionale, réglez « REG-OFF » lors de la configuration en cours de réception FM (page 14).

Remarque

Cette fonction est inopérante au Royaume-Uni et dans certaines autres régions.

Fonction de liaison locale (Royaume-Uni uniquement)

Cette fonction vous permet de sélectionner d'autres stations locales de la région, même si elles ne sont pas associées à vos touches numériques.

- 1 En cours de réception FM, appuyez sur une touche numérique (1 à 6) sur laquelle une station locale est mémorisée.
- 2 Dans les 5 secondes qui suivent, appuyez de nouveau sur la touche numérique de la station locale.
Répétez cette procédure jusqu'à ce que vous captiez la station locale souhaitée.

Sélection de PTY

- 1 Appuyez sur (PTY) en cours de réception FM.



Le nom du type d'émission diffusé apparaît si la station transmet des données PTY.

- 2 Appuyez plusieurs fois sur (PTY) jusqu'à ce que le type d'émission souhaité apparaisse.

- 3 Appuyez sur (SEEK) -/+.
L'appareil commence à rechercher une station diffusant le type d'émission sélectionné.

Types d'émissions

NEWS (nouvelles), **AFFAIRS** (dossiers d'actualité), **INFO** (informations), **SPORT** (sports), **EDUCATE** (éducation), **DRAMA** (théâtre), **CULTURE** (culture), **SCIENCE** (science), **VARIED** (divers), **POP M** (musique pop), **ROCK M** (rock), **EASY M** (musique légère), **LIGHT M** (musique classique légère), **CLASSICS** (musique classique), **OTHER M** (autres styles de musique), **WEATHER** (météo), **FINANCE** (finance), **CHILDREN** (émissions pour les enfants), **SOCIAL A** (affaires sociales), **RELIGION** (religion), **PHONE IN** (émissions ligne ouverte), **TRAVEL** (voyage), **LEISURE** (loisirs), **JAZZ** (jazz), **COUNTRY** (musique country), **NATION M** (musique nationale), **OLDIES** (musique d'autrefois), **FOLK M** (musique folk), **DOCUMENT** (documentaires)

Remarque

Cette fonction est inopérante dans certains pays ou régions où les données PTY ne sont pas disponibles.

Réglage de CT

- 1 Sélectionnez « CT-ON » lors de la configuration (page 14).

Remarques

- Il est possible que la fonction CT ne fonctionne pas, même si une station RDS est captée.
- Il peut y avoir une différence entre l'heure réglée par la fonction CT et l'heure réelle.

iPod

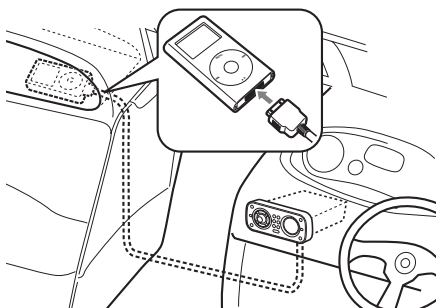
Lecture sur un iPod

En raccordant un iPod au connecteur dock situé à l'arrière de l'appareil, vous pouvez écouter la musique via les haut-parleurs de votre bateau tout en commandant l'iPod à partir de l'appareil.

Remarques

- Lorsqu'un iPod est raccordé au connecteur dock, vous ne pouvez effectuer aucune opération à partir de l'iPod lui-même.
- Baissez le volume de l'appareil avant de raccorder l'iPod au connecteur dock.
- Si vous n'utilisez pas le connecteur dock, utilisez le capuchon pour connecteur dock fourni pour éviter la pénétration d'eau.

Lecture de pages



1 Raccordez l'iPod au connecteur dock.

L'iPod se met automatiquement sous tension et l'écran ci-dessous s'affiche sur l'iPod.



2 Appuyez plusieurs fois sur la touche **(SOURCE)** jusqu'à ce que l'indication « PD » apparaisse.

« PD 1 PORTABLE » s'affiche et la lecture des pages de l'iPod commence automatiquement à l'endroit où vous aviez arrêté la lecture.

3 Appuyez sur **(MODE)** pour sélectionner le mode de lecture.

Le mode change comme suit : **RESUMING** → **ALBUM** → **ARTIST** → **PLAYLIST**

4 Réglez le volume.

Appuyez sur **(OFF)** pour arrêter la lecture.

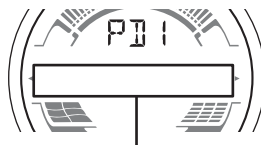
Conseils

- Lorsqu'un iPod est raccordé au connecteur dock, l'appareil passe en mode Resuming. En mode Resuming (Reprise de la lecture), les touches **(3)** (Lecture répétée), **(4)** (Lecture aléatoire) ou **(5)** (Balayage) sont inopérantes. Si vous annulez le mode Resuming en appuyant sur **(MODE)** ou **(1)/(2)** (GP/ALBM -/+), les touches **(3)** (Lecture répétée), **(4)** (Lecture aléatoire) ou **(5)** (Balayage) vous permettent de changer le mode de lecture.
- Lorsque la clé de contact est en position ACC ou lorsque l'appareil est sous tension, l'iPod est rechargé.
- Si l'iPod est débranché en cours de lecture, la lecture s'interrompt.

Remarque

Il est impossible de raccorder un autre iPod au XA-110IP ou au XA-120IP.

Rubriques d'affichage



Nom de page/d'album/d'artiste, numéro de page, temps de lecture écoulé, horloge.

Pour modifier les rubriques d'affichage, appuyez sur **(DSPL)**.

Remarque

Certaines lettres mémorisées dans l'iPod peuvent ne pas s'afficher correctement.

Réglage du mode de lecture

Sélection de Album, Artiste ou Liste de lecture

1 En cours de lecture, appuyez sur **(MODE)**.

Le mode change comme suit :

ALBUM → **ARTIST** → **PLAYLIST**

Saut d'albums, d'artistes et de listes de lecture

Pour	Appuyez sur
Ignorer	(1)/(2) (GP/ALBM -/+) [une fois pour chaque]
Ignorer en continu	(1)/(2) (GP/ALBM -/+) [maintenez la touche enfoncée jusqu'au point souhaité]

Lecture répétée et aléatoire

- 1 En cours de lecture, appuyez plusieurs fois sur (3) (REP) ou (4) (SHUF) jusqu'à ce que le réglage souhaité apparaisse.

Sélectionnez	Pour lire
REP TRK	une plage en boucle.
REP ALB	un album en boucle.
REP ART	un artiste en boucle.
REP PLY	une liste de lecture en boucle.
SHUF ALB	un album dans un ordre aléatoire.
SHUF ART	un artiste dans un ordre aléatoire.
SHUF PLY	une liste de lecture dans un ordre aléatoire.
SHUF ALL	toutes les plages dans un ordre aléatoire.

Pour revenir au mode de lecture normal, sélectionnez « REP OFF » ou « SHUF OFF ».

Remarque

Les touches (1)/(2) (GP/ALBM -/+) sont inopérantes en cours de lecture aléatoire.

Balayage

Vous pouvez rapidement localiser un point spécifique sur l'iPod.

- 1 Pendant la lecture, appuyez sur (5) jusqu'à ce que « SCAN ON » s'affiche. Les 10 premières secondes de chaque plage sont lues.

Pour revenir au mode de lecture normal, sélectionnez « SCAN OFF ».

Remarque

Cette fonction est inopérante en cours de lecture aléatoire.

Autres fonctions

Modification des caractéristiques du son

Réglage des caractéristiques du son — BAL/FAD/SUB

Vous pouvez régler la balance gauche/droite, l'équilibre avant/arrière, ainsi que le volume du caisson de graves.

- 1 Appuyez plusieurs fois sur (SELECT) jusqu'à ce que « BAL », « FAD » ou « SUB » apparaisse.

Le paramètre change comme suit :

LOW*1 → MID*1 → HI*1 →

BAL (gauche-droite) → FAD (avant-arrière) → SUB (volume du caisson de graves)*2 → AUX*3

*1 Lorsque EQ3 est activé (page 13).

*2 Lorsque la sortie audio est réglée sur « SUB » (page 14).

« ATT » est affiché au réglage le plus bas et peut être réglé par incréments jusqu'à 21.

*3 Lorsque la source AUX est activée (page 16).

- 2 Tournez la molette de réglage du volume pour régler le paramètre sélectionné.

Le réglage est terminé après 3 secondes et la fenêtre d'affichage revient au mode de lecture/réception normal.

Personnalisation de la courbe de l'égaliseur — EQ3

Le paramètre « CUSTOM » de EQ3 vous permet d'effectuer vos propres réglages de l'égaliseur.

- 1 Sélectionnez une source, puis appuyez plusieurs fois sur (EQ3) pour sélectionner « CUSTOM ».
- 2 Appuyez plusieurs fois sur (SELECT) jusqu'à ce que « LOW », « MID » ou « HI » apparaisse.
- 3 Tournez la molette de réglage du volume pour régler le paramètre sélectionné.
Le niveau de volume peut être réglé par incréments de 1 dB, de -10 dB à +10 dB.



Répétez les étapes 2 et 3 pour régler la courbe de l'égaliseur.

Pour restaurer la courbe par défaut de l'égaliseur, appuyez sur la touche **(SELECT)** et maintenez-la enfoncée avant la fin du réglage.

Le réglage est terminé après 3 secondes et la fenêtre d'affichage revient au mode de lecture/réception normal.

Conseil

D'autres types d'égaliseur peuvent aussi être réglés.

Réglage des paramètres de configuration — SET

1 Appuyez sur la touche **(SELECT)** et maintenez-la enfoncée.

L'écran de configuration apparaît.

2 Appuyez plusieurs fois sur **(SELECT)** jusqu'à ce que le paramètre souhaité s'affiche.

3 Tournez la molette de réglage du volume pour sélectionner le réglage (exemple « ON » ou « OFF »).

4 Appuyez sur la touche **(SELECT)** et maintenez-la enfoncée.

Une fois le réglage terminé, la fenêtre d'affichage revient au mode de lecture/réception normal.

Remarque

Les rubriques affichées diffèrent selon la source et le réglage.

Les paramètres suivants peuvent être réglés (reportez-vous à la page indiquée pour plus de détails) :

« ● » indique les réglages par défaut.

CLOCK-ADJ (Réglage de l'horloge) (page 5)

CT*¹ (Heure)

Pour régler « CT-ON » ou « CT-OFF » (●) (page 10, 11).

BEEP

Pour régler « BEEP-ON » (●) ou « BEEP-OFF ».

AUX-A*² (Audio AUX)

Pour régler l'affichage de la source AUX sur « AUX-A-ON » (●) ou « AUX-A-OFF » (page 16).

A.OFF (Arrêt automatique)

Pour éteindre automatiquement après un laps de temps choisi lorsque l'appareil est mis hors tension : « A.OFF-NO » (●), « A.OFF-30S (secondes) », « A.OFF-30M (minutes) » ou « A.OFF-60M (minutes) ».

REAR/SUB*²

Pour commuter la sortie audio.

– « REAR-OUT » (●) : pour émettre vers un amplificateur de puissance.

– « SUB-OUT » : pour émettre vers un caisson de graves.

DEMO (Démonstration)

Pour régler « DEMO-ON » (●) ou « DEMO-OFF ».

DIM (Régulateur de luminosité)

Pour modifier la luminosité de l'affichage.

– « DIM-AT » (●) : pour réduire automatiquement la luminosité de l'affichage lorsque vous allumez les phares.

– « DIM-OFF » : pour désactiver le régulateur de luminosité.

– « DIM-ON » : pour réduire la luminosité de l'affichage.

CONTRAST

Pour régler le contraste de l'affichage.

Le niveau du contraste est réglable en 7 positions.

ILM (Eclairage)

Pour modifier la couleur de l'éclairage :

« ILM-1 » (●) ou « ILM-2 ».

M.DSPL (Affichage animé)

Pour sélectionner le mode Affichage animé.

– « M.DSPL-LM » (●) : pour afficher les motifs animés et l'analyseur de spectre.

– « M.DSPL-OFF » : pour désactiver l'affichage animé.

– « M.DSPL-ON » : pour afficher les motifs animés.

A.SCRL (Défilement automatique)

Pour faire défiler automatiquement les rubriques d'affichage longues lorsque le disque, l'album, le groupe ou la plage est modifié(e).

– « A.SCRL-ON » (●) : pour faire défiler les rubriques.

– « A.SCRL-OFF » : pour ne pas faire défiler les rubriques.

LOCAL (Mode de recherche locale)

– « LOCAL-OFF » (●) : pour syntoniser en réception normale.

– « LOCAL-ON » : pour régler uniquement les stations dont les signaux sont plus puissants.

MONO*³ (Mode monaural)

Pour améliorer la réception FM faible, sélectionnez le mode de réception monaurale.

– « MONO-OFF » (●) : pour écouter les émissions stéréo en stéréo.

– « MONO-ON » : pour écouter des émissions stéréo en mode mono.

REG*^{1*3} (Régional)

Pour régler « REG-ON » (●) ou « REG-OFF » (page 11).

LPF*4 (Filtre passe-bas)

Pour sélectionner la fréquence de coupure du caisson de graves : « LPF OFF » (●), « LPF125Hz » ou « LPF 78Hz ».

LOUD (Intensité sonore)

Pour vous permettre d'entendre des sons clairs à des volumes faibles.

– « LOUD-ON » : pour amplifier les graves et les aigus.

– « LOUD-OFF » (●) : pour ne pas amplifier les graves et les aigus.

BTM (page 9)

*1 CDX-HR905IP uniquement.

*2 Lorsque l'appareil est hors tension.

*3 Lorsqu'une station FM est captée.

*4 Lorsque la sortie audio est réglée sur « SUB ».

Utilisation d'un appareil en option

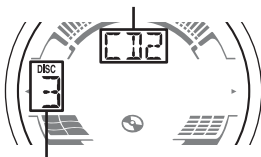
Changeur CD/MD

Sélection du changeur

1 Appuyez plusieurs fois sur **(SOURCE)** jusqu'à ce que l'indication « CD » ou « MD » apparaisse.

2 Appuyez plusieurs fois sur **(MODE)** jusqu'à ce que le changeur souhaité s'affiche.

Numéro de l'appareil



Numéro de disque

La lecture commence.

Saut d'albums et de disques

1 En cours de lecture, appuyez sur **(1)/(2)** (GP/ALBM -/+).

Pour sauter Appuyez sur **(1)/(2)** (GP/ALBM -/+)

un album puis relâchez (maintenez la touche enfoncée brièvement).

un album en continu dans les 2 secondes après avoir relâché la touche pour la première fois.

des disques de façon répétée.

des disques en continu et appuyez de nouveau sur la touche dans les 2 secondes, puis maintenez-la enfoncée.

Lecture répétée et aléatoire

1 En cours de lecture, appuyez plusieurs fois sur **(3)** (REP) ou **(4)** (SHUF) jusqu'à ce que le réglage souhaité apparaisse.

Sélectionnez **Pour lire**

↶ DISC un disque en boucle.

SHUF CHANGER des plages du changeur dans un ordre aléatoire.

SHUF ALL* des plages de tous les appareils dans un ordre aléatoire.

* Lorsqu'un ou plusieurs changeurs CD ou au moins deux changeurs MD sont raccordés.

Pour revenir au mode de lecture normal, sélectionnez « **↶ OFF** » ou « **SHUF OFF** ».

Conseil

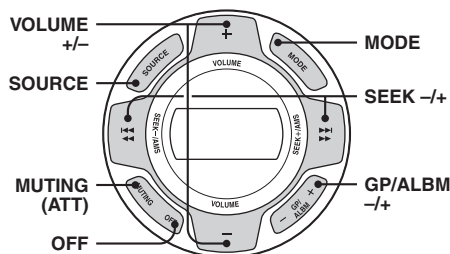
La fonction « **SHUF ALL** » ne passe pas de façon aléatoire de la lecture de plages de lecteurs de CD à la lecture de plages de changeurs MD.

Télécommande marine RM-X55M/ X11M

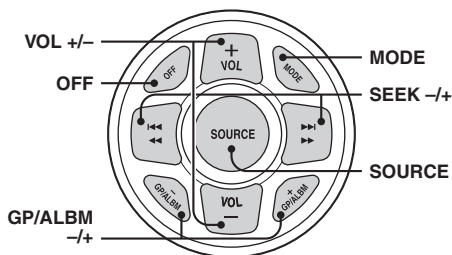
Emplacement des commandes

Les touches correspondantes de la télécommande marine commandent les mêmes fonctions que celles de l'appareil.

RM-X55M



RM-X11M



Les commandes suivantes de la télécommande marine requièrent un fonctionnement différent de l'appareil.

- **Touche(s) VOLUME (VOL) +/-**
Identiques à la molette de réglage du volume de l'appareil.
- **Touche MUTING**
Permet d'atténuer le son. (Identique à la touche **(ATT)** de la mini-télécommande.)

Appareil audio auxiliaire

En raccordant un appareil audio portable en option à la prise AUX IN de l'appareil, puis en sélectionnant simplement la source, vous pouvez l'écouter par l'intermédiaire des haut-parleurs du bateau. Le niveau de volume peut être réglé pour corriger toutes les différences entre l'appareil et l'appareil audio portable. Suivez la procédure ci-dessous :

Réglage du niveau de volume

Avant de commencer la lecture, n'oubliez pas de régler le volume de chaque appareil audio connecté.

- 1 Baissez le volume de l'appareil.
- 2 Appuyez plusieurs fois sur **(SOURCE)** jusqu'à ce que « AUX » s'affiche.
« AUX REAR IN » apparaît.
- 3 Démarrez la lecture sur l'appareil audio portable, à un niveau de volume moyen.
- 4 Réglez votre appareil sur le volume d'écoute habituel.
- 5 Appuyez plusieurs fois sur la touche **(SELECT)** jusqu'à ce que « AUX » apparaisse, puis tournez la molette de réglage du volume pour ajuster le niveau d'entrée (-8 dB à +18 dB).

Informations complémentaires

Précautions

- Si votre bateau est resté amarré en plein soleil, laissez l'appareil refroidir avant de l'utiliser.
- L'antenne électrique se déploie automatiquement lorsque l'appareil est en fonctionnement.

Condensation

Par temps de pluie ou dans des régions très humides, de l'humidité peut se condenser à l'intérieur des lentilles et dans la fenêtre d'affichage de l'appareil. Si cela se produit, l'appareil ne fonctionne pas correctement. Dans ce cas, retirez le disque et attendez environ une heure que l'humidité se soit évaporée.

Pour conserver un son de haute qualité

Veillez à ne pas renverser de jus de fruit ou d'autres boissons sucrées sur l'appareil ou sur les disques.

Remarques sur les disques

- Pour que le disque reste propre, ne touchez pas sa surface. Manipulez le disque en le tenant par les bords.
- Rangez vos disques dans leurs boîtiers ou dans des chargeurs lorsque vous ne vous en servez pas.
- Ne soumettez pas les disques à des températures élevées. Évitez de les laisser sur un bateau amarré.
- Ne collez pas d'étiquettes sur les disques et n'utilisez pas de disques rendus collants par de l'encre ou des résidus. De tels disques peuvent s'arrêter de tourner en cours de lecture et provoquer des problèmes de fonctionnement ou être endommagés.



- N'utilisez pas de disques sur lesquels sont collés des étiquettes ou des autocollants. L'utilisation de tels disques peut entraîner les problèmes de fonctionnement suivants :
 - impossibilité d'éjecter un disque parce que l'étiquette ou l'autocollant s'est décollé et bloque le mécanisme d'éjection ;
 - erreurs de lecture des données audio (notamment sauts de lecture ou absence de lecture) provoquées par une déformation du disque suite au rétrécissement de l'étiquette ou de l'autocollant sous l'effet de la chaleur.
- Les disques de forme non standard (notamment en forme de cœur, de carré ou d'étoile) ne peuvent pas être lus avec cet appareil. Vous risquez d'endommager votre appareil si vous essayez de le faire. N'utilisez pas de tels disques.

- Cet appareil ne permet pas la lecture des CD de 8 cm.
- Avant la lecture, nettoyez les disques avec un chiffon de nettoyage disponible dans le commerce. Essayez chaque disque en partant du centre vers l'extérieur. N'utilisez pas de solvants tels que de l'essence, du diluant, des nettoyeurs disponibles dans le commerce ou des vaporisateurs antistatiques destinés aux disques analogiques.



Remarques sur les disques CD-R/CD-RW

- Il est possible que cet appareil ne puisse pas lire certains CD-R ou CD-RW (en fonction de l'appareil utilisé pour l'enregistrement ou de l'état du disque).
- Cet appareil ne permet pas la lecture des CD-R ou CD-RW non finalisés.
- L'appareil est compatible avec le format ISO 9660 niveau 1/niveau 2, avec les extensions Joliet/Romeo et les multisessions.
- Nombre maximal de :
 - dossiers (albums) : 150 (y compris le répertoire de base et les dossiers vides).
 - fichiers (plages) et dossiers contenus dans un disque : 300 (lorsqu'un nom de fichier ou de dossier contient un grand nombre de caractères, ce nombre peut être inférieur à 300).
 - caractères affichables pour un nom de dossier/fichier : 32 (Joliet) ou 64 (Romeo).
- Lors de l'enregistrement d'un disque en multisession, seule la première plage du premier format de session est reconnue et lue (tout autre format est ignoré). La priorité du format est CD-DA, CD ATRAC et MP3/WMA/AAC.
 - Lorsque la première plage est un CD-DA, seul le CD-DA de la première session est lu.
 - Lorsque la première plage n'est pas un CD-DA, seule une session CD ATRAC ou MP3/WMA/AAC est lue. Si le disque ne contient aucune information dans ces formats, l'indication « NO MUSIC » apparaît.

Disques de musique encodés à l'aide d'une technologie de protection des droits d'auteur

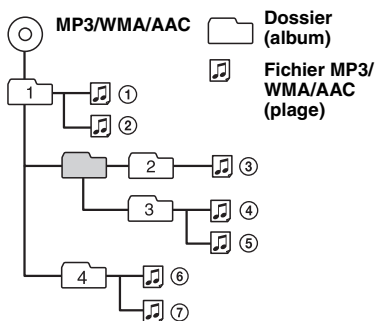
Cet appareil est conçu pour la lecture des disques conformes à la norme Compact Disc (CD). Dernièrement, certaines maisons de disques ont lancé sur le marché divers types de disques de musique encodés selon des technologies de protection des droits d'auteur. Notez que, parmi ces types de disques, certains ne sont pas conformes à la norme CD. La lecture de ces disques avec cet appareil peut être impossible.

suite à la page suivante →

Remarque sur les DualDiscs

Un DualDisc est un disque double face qui comporte les données d'un DVD sur une face et des données audio numériques sur l'autre face. La face du contenu audio des DualDiscs n'étant pas conforme à la norme Compact Disc (CD), la lecture de ces disques sur cet appareil n'est pas garantie.

Ordre de lecture des fichiers MP3/WMA/AAC



A propos des fichiers MP3

- MP3, qui est l'abréviation de MPEG-1 Audio Layer-3, est un format standard de compression de fichiers musicaux. Elle comprime les données de CD audio à environ 1/10e de leur taille initiale.
- Versions 1.0, 1.1, 2.2, 2.3 et 2.4 des étiquettes ID3 applicables aux fichiers MP3 uniquement. L'étiquette ID3 compte 15/30 caractères (1.0 et 1.1) ou 63/126 caractères (2.2, 2.3 et 2.4).
- Lors de l'identification d'un fichier MP3, veuillez à ajouter l'extension « .mp3 » au nom de chaque fichier.
- Lors de la lecture ou pendant l'avance ou le retour rapide d'un fichier MP3 VBR (Débit variable), le temps de lecture écoulé qui s'affiche peut être inexact.

A propos des fichiers WMA

- WMA, qui signifie Windows Media Audio, est une norme de format de compression des fichiers audio. Il comprime les données de CD audio à environ un 1/22e* de leur taille initiale.
- L'étiquette WMA compte 63 caractères.
- Lors de l'identification d'un fichier WMA, veuillez à ajouter l'extension « .wma » au nom de chaque fichier.
- Lors de la lecture ou pendant l'avance ou le retour rapide d'un fichier WMA VBR (Débit variable), le temps de lecture écoulé qui s'affiche peut être inexact.

* uniquement pour 64 kbit/s

Remarque sur le format WMA

La lecture des fichiers WMA suivants n'est pas prise en charge.
– fichiers comprimés sans perte
– fichiers contenant une protection des droits d'auteur

A propos des fichiers AAC

- AAC, qui signifie Advanced Audio Coding, est une norme de format de compression des fichiers audio. Elle comprime les données de CD audio à environ 1/11e* de leur taille initiale.
- L'étiquette AAC comporte 126 caractères.
- Lors de l'identification d'un fichier AAC, veuillez à ajouter l'extension « .m4a » au nom de chaque fichier.
- Lors de la lecture ou pendant l'avance ou le retour rapide d'un fichier AAC VBR (Débit variable), le temps de lecture écoulé qui s'affiche peut être inexact.

* uniquement pour 128 kbit/s

Remarque sur le format AAC

La lecture des fichiers protégés par des droits d'auteur n'est pas prise en charge.

A propos des CD ATRAC

Format ATRAC3plus

La norme ATRAC3 (Adaptive Transform Acoustic Coding3) est une technologie de compression des données audio. Elle comprime les données de CD audio à environ 1/10e de leur taille initiale. ATRAC3plus, qui est un format étendu de ATRAC3, comprime les données de CD audio à environ 1/20e de leur taille initiale. L'appareil accepte le format ATRAC3 et ATRAC3plus.

CD ATRAC

Les CD ATRAC sont des données de CD audio enregistrées comprimées au format ATRAC3 ou ATRAC3plus en utilisant un logiciel autorisé, tel que SonicStage 2.0 ou une version ultérieure, ou SonicStage Simple Burner.

- Nombre maximal de :
 - dossiers (groupes) : 255
 - fichiers (pages) : 999
- Les caractères d'un nom de dossier ou de fichier et les informations textuelles écrites par SonicStage sont affichés.

Pour plus de détails sur le format CD ATRAC, reportez-vous au manuel SonicStage ou SonicStage Simple Burner.

Remarque

Assurez-vous de créer le CD ATRAC à l'aide du logiciel autorisé, tel que SonicStage 2.0 ou une version ultérieure, ou SonicStage Simple Burner 1.0 ou 1.1.

A propos de l'iPod

Cet appareil peut être utilisé avec les iPod, iPod photo, iPod mini et iPod nano à connecteur dock avec les versions logicielles suivantes. Le fonctionnement ne peut être garanti avec les versions antérieures à celles de la liste.

- iPod troisième génération : Ver.2.3.0
- iPod quatrième génération : Ver.3.1.1
- iPod cinquième génération : Ver.1.2
- iPod photo : Ver.1.2.1
- iPod mini : Ver.1.4.1
- iPod nano première génération : Ver.1.3
- iPod nano deuxième génération : Ver.1.1 (la fonction vidéo de l'iPod cinquième génération et la fonction photo de l'iPod photo ne sont pas prises en charge).

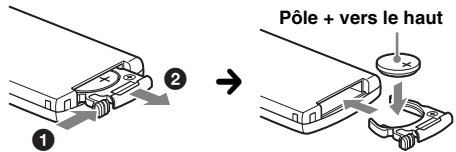
Pour les clients aux Etats-Unis, veuillez consulter le site suivant pour obtenir des informations complémentaires : <http://www.xplodsony.com>

Si vous avez des questions ou des problèmes concernant cet appareil qui ne sont pas abordés dans ce mode d'emploi, contactez votre revendeur Sony.

Entretien

Remplacement de la pile au lithium de la mini-télécommande

Dans des conditions d'utilisation normales, la pile dure environ 1 an. (En fonction des conditions d'utilisation, sa durée de vie peut être plus courte.) Lorsque la pile est faible, la portée de la mini-télécommande diminue. Remplacez la pile par une pile au lithium CR2025 neuve. L'utilisation de tout autre type de pile présente un risque d'incendie ou d'explosion.



Remarques sur la pile au lithium

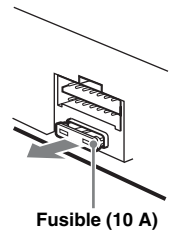
- Tenez la pile au lithium hors de la portée des enfants. En cas d'ingestion de la pile, consultez immédiatement un médecin.
- Essuyez la pile avec un chiffon sec pour assurer un bon contact.
- Veillez à respecter la polarité lors de l'installation de la pile.
- Ne tenez pas la pile avec des pinces métalliques, car cela pourrait entraîner un court-circuit.

ATTENTION

Utilisée de façon incorrecte, la pile peut exploser. Ne pas la recharger, la démonter ni la jeter au feu.

Remplacement du fusible

Lorsque vous remplacez le fusible, veillez à utiliser un fusible dont l'intensité, en ampères, correspond à la valeur indiquée sur le fusible usagé. Si le fusible saute, vérifiez le branchement de l'alimentation et remplacez-le. Si le nouveau fusible saute également, il est possible que l'appareil soit défectueux. Dans ce cas, consultez votre revendeur Sony le plus proche.



Spécifications

Lecteur CD

Rapport signal/bruit : 120 dB

Réponse en fréquence : 10 à 20 000 Hz

Pleurage et scintillement : en dessous du seuil mesurable

Radio

CDX-H9051P :

FM

Plage de syntonisation :

87,5 – 108,0 MHz (par incréments de 50 kHz)

87,5 – 107,9 MHz (par incréments de 200 kHz)

Intervalle de syntonisation FM : commutable 50 kHz/200 kHz

Borne d'antenne :

Connecteur d'antenne externe

Fréquence intermédiaire : 10,7 MHz/450 kHz

Sensibilité utile : 9 dBf

Sélectivité : 75 dB à 400 kHz

Rapport signal/bruit : 67 dB (stéréo), 69 dB (mono)

Distorsion harmonique à 1 kHz : 0,5 % (stéréo), 0,3 % (mono)

Séparation : 35 dB à 1 kHz

Réponse en fréquence : 30 à 15 000 Hz

AM

Plage de syntonisation :

531 – 1 602 kHz (par incréments de 9 kHz)

530 – 1 710 kHz (par incréments de 10 kHz)

Intervalle de syntonisation AM : commutable 9 kHz/10 kHz

Borne d'antenne :

Connecteur d'antenne externe

Fréquence intermédiaire : 10,7 MHz/450 kHz

Sensibilité : 30 µV

CDX-HR9051P :

FM

Plage de syntonisation : 87,5 – 108,0 MHz

Borne d'antenne :

Connecteur d'antenne externe

Fréquence intermédiaire : 10,7 MHz/450 kHz

Sensibilité utile : 9 dBf

Sélectivité : 75 dB à 400 kHz

Rapport signal/bruit : 67 dB (stéréo), 69 dB (mono)

Distorsion harmonique à 1 kHz : 0,5 % (stéréo), 0,3 % (mono)

Séparation : 35 dB à 1 kHz

Réponse en fréquence : 30 à 15 000 Hz

MW (PO)/LW (GO)

Plage de syntonisation :

MW (PO) : 531 à 1 602 kHz

LW (GO) : 153 à 279 kHz

Borne d'antenne :

Connecteur d'antenne externe

Fréquence intermédiaire : 10,7 MHz/450 kHz

Sensibilité : MW (PO) : 30 µV, LW (GO) : 40 µV

Amplificateur de puissance

Sorties : sorties de haut-parleurs (connecteurs de sécurité)

Impédance des haut-parleurs : 4 à 8 ohms

Puissance de sortie maximale : 52 W × 4 (à 4 ohms)

Généralités

Sorties :

Borne de sorties audio (commutable avant, arrière/caisson de graves)

Borne de commande de relais d'antenne électrique

Borne de commande d'amplificateur de puissance

Entrées :

Borne de commande ATT téléphone

Borne de commande de l'éclairage

Borne d'entrée de commande BUS

Borne d'entrée audio BUS

Borne d'entrée de télécommande

Borne d'entrée de l'antenne

Borne d'entrée AUX

Borne d'entrée du signal iPod (connecteur dock)

Commandes de tonalité :

Graves : ± 10 dB à 60 Hz (XPLOD)

Médiums : ± 10 dB à 1 kHz (XPLOD)

Aigus : ± 10 dB à 10 kHz (XPLOD)

Alimentation requise : batterie de bateau 12 V CC (masse négative)

Dimensions : environ 197 × 89 × 187 mm (l/h/p)

Dimensions du support : environ 181 × 52 × 144 mm (l/h/p)

Poids : environ 1,8 kg

Accessoires fournis :

Mini-télécommande : RM-X151

Composants destinés à l'installation et aux connexions (1 jeu)

Appareils/accessoires en option* :

Télécommande marine : RM-X55M,

RM-X11M

Câble BUS (fourni avec un cordon à broches

RCA) : RC-61 (1 m), RC-62 (2 m)

Changeur CD (10 disques) : CDX-757MX

Changeur CD (6 disques) : CDX-T70MX,

CDX-T69

Sélecteur de source : XA-C40

Sélecteur AUX-IN : XA-300

Pour le modèle CDX-H9051P :

Tuner HD Radio™ : XT-100HD

* Les accessoires et appareils autres que la télécommande marine RM-X55M/X11M ne sont pas étanches. Ne les laissez pas entrer en contact avec l'eau.

Il est possible que votre revendeur ne dispose pas de certains accessoires décrits ci-dessus. Veuillez vous adresser à lui pour tout renseignement complémentaire.

Brevets américains et internationaux sous licence de Dolby Laboratories.

Licence de la technologie de codage audio MPEG Layer-3 et des brevets obtenue de Fraunhofer IIS et Thomson.

Ce produit est protégé par des droits de propriété intellectuelle de Microsoft Corporation. Toute utilisation ou diffusion de la technologie décrite sortant du cadre de l'utilisation de ce produit est interdite sans licence accordée par Microsoft ou une filiale autorisée de Microsoft.

Remarque

Cet appareil ne peut pas être raccordé à un préamplificateur numérique ou à un égaliseur compatible avec le système BUS de Sony.

La conception et les spécifications sont sujettes à modification sans préavis.



- Aucun retardateur de flamme halogéné n'est utilisé dans certaines cartes à circuits imprimés.
- Aucun retardateur de flamme halogéné n'est utilisé dans la composition des coques.
- Du papier est utilisé pour les cales d'emballage.

Dépannage

La liste de contrôles suivante vous aidera à remédier aux problèmes que vous pourriez rencontrer avec cet appareil.

Avant de passer en revue la liste de contrôles ci-dessous, vérifiez les procédures de raccordement et d'utilisation.

Généralités

L'appareil n'est pas alimenté.

- Vérifiez le raccordement. Si tout est en ordre, vérifiez le fusible.
- Si vous mettez l'appareil hors tension et que l'affichage disparaît, vous ne pouvez pas le commander avec la mini-télécommande.
→ Mettez l'appareil sous tension.

L'antenne électrique ne se déploie pas.

L'antenne électrique ne dispose pas d'un boîtier de relais.

Aucun son.

- Le volume est trop faible.
- La fonction ATT est activée ou la fonction ATT du téléphone (lorsque le câble d'interface d'un téléphone embarqué est raccordé au fil ATT) est activée.
- La position de la commande d'équilibre avant/arrière « FAD » n'est pas réglée pour un système à 2 enceintes.
- Le changeur CD est incompatible avec le disque (MP3/WMA/AAC/CD ATRAC).
→ Effectuez la lecture avec un changeur compatible MP3 de Sony ou cet appareil.

Aucun bip n'est émis.

- Le bip est désactivé (page 14).
- Un amplificateur de puissance en option est raccordé et vous n'utilisez pas l'amplificateur intégré.

Le contenu de la mémoire a été effacé.

- La touche RESET a été enfoncée.
→ Recommencez la procédure d'enregistrement dans la mémoire.
- Le cordon d'alimentation ou la batterie a été déconnecté.
- Le cordon d'alimentation n'est pas raccordé correctement.

Les stations mémorisées et l'heure sont effacées.

Le fusible a sauté.

Emission de bruit lorsque la position de la clé de contact est modifiée.

Les câbles ne sont pas raccordés correctement au connecteur d'alimentation du bateau destiné aux accessoires.

En cours de lecture ou de réception, le mode de démonstration démarre.

Si aucune opération n'est effectuée pendant 5 minutes avec « DEMO-ON » activé, le mode de démonstration démarre.

→ Réglez « DEMO-OFF » (page 14).

L'affichage disparaît de la fenêtre d'affichage ou il ne s'affiche pas.

- Le régulateur de luminosité est réglé sur « DIM-ON » (page 14).
- L'affichage est désactivé si vous maintenez la touche **OFF** enfoncée.
→ Maintenez de nouveau la touche **OFF** de l'appareil enfoncée jusqu'à ce que l'affichage apparaisse.

La fonction arrêt automatique est inopérante.

L'appareil est mis sous tension. La fonction arrêt automatique s'active après la mise hors tension de l'appareil.

→ Mettez l'appareil hors tension.

Impossible de faire fonctionner la mini-télécommande.

Assurez-vous que la feuille isolante a été retirée (page 5).

Le mode DSO ne fonctionne pas.

Selon l'intérieur du bateau ou le type de musique, le mode DSO peut avoir un effet indésirable.

Lecture de CD ou de MD

Impossible d'introduire le disque.

- Un autre disque est déjà en place.
- Le disque a été introduit de force à l'envers ou dans le mauvais sens.

La lecture du disque ne commence pas.

- Le disque est défectueux ou sale.
- Les CD-R/CD-RW ne sont pas destinés à un usage audio (page 17).
- Le format du disque et la version du fichier sont incompatibles avec cet appareil (pour plus de détails, reportez-vous aux pages 4 et 17).

Certains fichiers MP3/WMA/AAC exigent un délai plus long que d'autres avant le début de la lecture.

La lecture des types de disques suivants exige un délai de démarrage plus long :

- disques comportant une hiérarchie de dossiers complexe ;
- disques enregistrés en multisession ;
- disques auxquels il est possible d'ajouter des données.

La lecture du CD ATRAC ne commence pas.

- Le disque n'a pas été créé par un logiciel autorisé, tel que le logiciel SonicStage ou SonicStage Simple Burner.
- Les plages qui ne sont pas incluses dans le groupe ne peuvent pas être lues.

Les rubriques d'affichage ne défilent pas.

- Pour les disques contenant un grand nombre de caractères, le défilement peut être inopérant.
- « A.SCRL » est réglé sur « OFF ».
→ Réglez « A.SCRL-ON » (page 14) ou appuyez sur (SCRL).

Le son saute.

- L'installation est incorrecte.
→ Installez l'appareil suivant un angle de moins de 45° dans un endroit stable du bateau.
- Le disque est défectueux ou sale.

Les touches de commande sont inopérantes. Le disque ne s'éjecte pas.

Appuyez sur la touche RESET (page 5).

Réception radio

Impossible de capter des stations.

Le son comporte des parasites.

- Raccordez un câble de commande d'antenne électrique (bleu) ou un cordon d'alimentation d'accessoires (rouge) au cordon d'alimentation de l'amplificateur d'antenne du bateau (uniquement si votre bateau est équipé d'une antenne intégrée).
- Vérifiez le raccordement de l'antenne du bateau.
- L'antenne automatique ne se déploie pas.
→ Vérifiez le raccordement du câble de commande d'antenne électrique.
- Vérifiez la fréquence.
- Lorsque le mode DSO est activé, le son peut parfois comporter des parasites.
→ Réglez le mode DSO sur « OFF » (page 7).

Impossible de capter une présélection.

- Enregistrez la fréquence correcte dans la mémoire.
- Le signal capté est trop faible.

Le réglage automatique des stations est impossible.

- Le réglage du mode de recherche locale est incorrect.
→ La syntonisation s'arrête trop souvent :
Réglez « LOCAL-ON » (page 14).
→ La syntonisation ne s'arrête sur aucune station :
Réglez « MONO-ON » (page 14).
- Le signal capté est trop faible.
→ Réglez manuellement la fréquence.

En cours de réception FM, l'indication « ST » clignote.

- Réglez la fréquence correctement.
- Le signal capté est trop faible.
→ Réglez « MONO-ON » (page 14).

Un programme FM émis en stéréo est entendu en mono.

L'appareil est en mode de réception mono.
→ Réglez « MONO-OFF » (page 14).

RDS (CDX-HR905IP)

Une recherche (SEEK) commence après quelques secondes d'écoute.

La station ne diffuse pas de programmes de radioguidage (fonction TP désactivée) ou le signal capté est faible.
→ Désactivez TA (page 10).

Aucun message de radioguidage.

- Activez TA (page 10).
- La station n'émet pas de messages de radioguidage, malgré l'indication TP.
→ Réglez la fréquence pour capter une autre station.

PTY affiche « - - - - - ».

- La station actuellement captée n'est pas une station RDS.
- Les données RDS n'ont pas été reçues.
- La station ne spécifie pas le type d'émission.

Affichage des erreurs et messages

BLANK

Le MD ne contient aucune plage enregistrée.*1
→ Insérez un MD contenant des plages enregistrées.

ERROR*2

- Le disque est sale ou inséré à l'envers.*1
→ Nettoyez le disque ou insérez-le correctement.
- Un disque vierge a été inséré.
- Le disque ne peut pas être lu en raison d'un problème.
→ Insérez-en un autre.

FAILURE

Les haut-parleurs ou les amplificateurs ne sont pas raccordés correctement.

→ Reportez-vous au manuel d'installation de ce modèle pour vérifier les raccordements.

FAILURE (S'allume pendant environ 1 seconde.)
(CDX-H905IP uniquement)

Alors que le tuner XM est raccordé, la mémorisation d'un canal de radio XM sur une présélection a échoué.

→ Vérifiez que vous captez bien le canal que vous souhaitez mémoriser, puis réessayez.

LOAD

Le changeur est en train de charger le disque.

→ Attendez que cette opération soit terminée.

L. SEEK +/-

Le mode de recherche locale est activé en cours de syntonisation automatique.

NO AF (CDX-HR905IP uniquement)

Il n'existe aucune fréquence alternative pour la station actuelle.

→ Appuyez sur **(SEEK)** +/- pendant que le nom du service de programme clignote. L'appareil commence à rechercher une autre fréquence avec les mêmes données d'identification de programme (PI) (l'indication « PI SEEK » apparaît).

NO DISC

Le disque n'est pas inséré dans le changeur CD/MD.

→ Insérez un disque dans le changeur.

NO INFO

Aucune information textuelle n'est écrite dans les fichiers MP3/WMA/AAC ou le CD ATRAC.

NO IPOD

Aucun iPod n'est raccordé.

→ Raccordez l'iPod au connecteur dock.

Si l'indication « NO IPOD » s'affiche lors du raccordement de l'iPod au connecteur dock, débranchez l'iPod du connecteur dock, puis raccordez-le de nouveau.

NO MAG

Le chargeur n'a pas été inséré dans le changeur CD.

→ Insérez le chargeur dans le changeur.

NO MUSIC

Le disque ne contient pas de fichiers de musique.

→ Insérez un CD audio dans cet appareil ou un changeur compatible MP3.

NO NAME

Aucun nom de disque/groupe/plage n'est écrit dans la plage.

NO TP (CDX-HR905IP uniquement)

L'appareil continue à rechercher les stations diffusant des programmes de radioguidage.

NOTREADY

Le couvercle du changeur de MD est ouvert ou les MD ne sont pas insérés correctement.

→ Fermez le couvercle ou insérez correctement les MD.

OFFSET

Il est possible qu'il y ait un problème de fonctionnement.

→ Vérifiez le raccordement. Si le message d'erreur reste affiché, contactez votre revendeur Sony le plus proche.

READ

L'appareil lit toutes les informations de plage et de groupe/d'album sur le disque.

→ Attendez que la lecture soit terminée et la lecture commence automatiquement. Selon la structure du disque, cette opération peut prendre plus d'une minute.

RESET

Le lecteur CD et le changeur CD/MD ne peuvent pas être utilisés suite à un problème.

→ Appuyez sur la touche RESET (page 5).

« L L L L » ou « 7 7 7 7 »

Pendant le retour ou l'avance rapide, vous avez atteint le début ou la fin du disque et vous ne pouvez pas aller plus loin.

« — »

Le caractère ne peut pas être affiché.

*1 *Le numéro du disque qui a provoqué l'erreur apparaît dans la fenêtre d'affichage.*

*2 *Si une erreur se produit lors de la lecture d'un CD ou d'un MD, le numéro de disque du CD ou du MD n'apparaît pas dans l'affichage.*

Si ces solutions ne permettent pas d'améliorer la situation, contactez votre revendeur Sony le plus proche.

Si vous portez l'appareil à réparer en raison d'un problème de lecture de CD, apportez le disque utilisé au moment où le problème s'est produit.

Para obtener información sobre la instalación y las conexiones, consulte el manual de instalación/conexiones suministrado.

**CLASS 1
LASER PRODUCT**

Esta etiqueta está situada en la parte inferior del chasis.

El fabricante de este producto es Sony Corporation, 1-7-1 Konan, Minato-ku, Tokio, 108-0075 Japón.

El representante autorizado para la aplicación de la directiva EMC y la seguridad de los productos es Sony Deutschland GmbH, Hedelfinger Strasse 61, 70327 Stuttgart, Alemania. Para cualquier cuestión relacionada con el servicio técnico o la garantía, consulte las direcciones facilitadas en los documentos de garantía o servicio técnico.



Tratamiento de los equipos eléctricos y electrónicos al final de su vida útil (aplicable en la Unión Europea y en países europeos con sistemas de recogida selectiva de residuos)

Este símbolo en el equipo o el embalaje indica que el presente producto no puede ser tratado como residuos domésticos normales, sino que debe entregarse en el correspondiente punto de recogida de equipos eléctricos y electrónicos. Al asegurarse de que este producto se desecha correctamente, Ud. ayuda a prevenir las consecuencias negativas para el medio ambiente y la salud humana que podrían derivarse de la incorrecta manipulación en el momento de deshacerse de este producto. El reciclaje de materiales ayuda a conservar los recursos naturales. Para recibir información detallada sobre el reciclaje de este producto, póngase en contacto con el ayuntamiento, el punto de recogida más cercano o el establecimiento donde ha adquirido el producto.

Accesorio aplicable: Mando a distancia



Tratamiento de las baterías al final de su vida útil (aplicable en la Unión Europea y en países europeos con sistemas de recogida selectiva de residuos)

Este símbolo en la batería o en el embalaje indica que la batería proporcionada con este producto no puede ser tratada como un residuo doméstico normal. Al asegurarse de que estas baterías se desechan correctamente, Ud. ayuda a prevenir las consecuencias negativas para el medio ambiente y la salud humana que podrían derivarse de la incorrecta manipulación en el momento de deshacerse de la batería. El reciclaje de materiales ayuda a conservar los recursos naturales. En el caso de productos que por razones de seguridad, rendimiento o mantenimiento de datos, sea necesaria una conexión permanente con la batería incorporada, esta batería solo deberá de ser reemplazada por personal técnico cualificado para ello. Para asegurarse de que la batería será tratada correctamente, entregar el producto al final de su vida útil en un punto de recogida para el reciclado de aparatos eléctricos y electrónicos. Para las demás baterías, ver la sección donde se indica como quitar la batería del producto de forma segura. Depositar la batería en el correspondiente punto de recogida para el reciclado de las mismas. Para recibir información detallada sobre el reciclaje de este producto o de la batería, póngase en contacto con el ayuntamiento, el punto de recogida más cercano o el establecimiento donde ha adquirido el producto.

SonicStage y su logotipo son marcas comerciales de Sony Corporation.

“ATRAC” y su logotipo son marcas comerciales de Sony Corporation.



Microsoft, Windows Media y el logotipo de Windows son marcas comerciales o

marcas comerciales registradas de Microsoft Corporation en Estados Unidos o en otros países.

iPod es una marca comercial de Apple Inc., registrada en los Estados Unidos y otros países.

Solamente CDX-H905IP

**HD Radio[®]
R E A D Y**

El logotipo “HD Radio Ready” indica que este producto controlará un sintonizador HD Radio[™] de Sony (se vende por separado). Para obtener información acerca del funcionamiento del sintonizador HD Radio[™], consulte el manual de instrucciones del sintonizador HD Radio[™].

El logo HD Radio Ready es una marca registrada de iBiquity.

HD Radio[™] es una marca registrada de iBiquity Digital Corp.

Tabla de contenido

Bienvenido.	4
---------------------	---

Procedimientos iniciales

Restauración de la unidad	5
Preparación del mando a distancia de tarjeta.	5
Ajuste del reloj	5
Introducción del disco en la unidad.	5
Extracción del disco	5

Ubicación de los controles y operaciones básicas

Unidad principal	6
Mando a distancia de tarjeta RM-X151	8

CD

Elementos de la pantalla	9
Reproducción repetida y aleatoria	9

Radio

Almacenamiento y recepción de emisoras	10
Almacenamiento automático — BTM	10
Almacenamiento manual	10
Recepción de las emisoras almacenadas.	10
Sintonización automática	10
RDS (CDX-HR905IP).	10
Descripción general	10
Ajuste de AF y TA	11
Selección de PTY	12
Ajuste CT	12

iPod

Reproducción en el iPod.	12
Reproducción de pistas	12
Elementos de la pantalla.	13
Ajuste del modo de reproducción	13
Selección del álbum, artista o lista de reproducción.	13
Reproducción repetida y aleatoria	13
Exploración	13

Otras funciones

Cambio de los ajustes de sonido.	14
Ajuste de las características del sonido	
— BAL/FAD/SUB.	14
Personalización de la curva de ecualizador	
— EQ3	14
Definición de los elementos de configuración	
— SET	14
Uso de un equipo opcional	15
Cambiador de CD/MD.	15
Mando a distancia subacuático	
RM-X55M/X11M	16
Equipo de audio auxiliar	16

Información adicional

Precauciones	17
Notas sobre los discos	17
Orden de reproducción de los archivos	
MP3/WMA/AAC	18
Acerca de los archivos MP3.	18
Acerca de los archivos WMA	18
Acerca de los archivos AAC	18
Acerca de ATRAC CD.	18
Acerca del iPod	19
Mantenimiento	19
Especificaciones	19
Solución de problemas	21
Mensajes/indicaciones de error	22

Solamente CDX-H905IP



El logotipo “SAT Radio Ready” indica que este producto controla un módulo de sintonizador de radio por satélite (se vende por separado). Si desea obtener más detalles sobre el módulo de sintonizador de radio por satélite, póngase en contacto con el distribuidor Sony autorizado más cercano.

“SAT Radio”, “SAT Radio Ready”, los logotipos de SAT Radio, SAT Radio Ready y todas las marcas relacionadas son marcas comerciales de Sirius Satellite Radio Inc. y XM Satellite Radio Inc.

Advertencia si el encendido del barco no dispone de una posición ACC

Asegúrese de ajustar la función de desconexión automática (página 14). La unidad se desconectará completa y automáticamente en el tiempo establecido después de apagarla lo cual evita que se agote la batería.

Si no ajusta la función de desconexión automática, mantenga pulsado (OFF) hasta que se apague la pantalla cada vez que apague el motor.

Bienvenido

Le agradecemos que haya adquirido este reproductor de discos compactos Sony. Mientras navega puede disfrutar de las funciones siguientes.

• Reproducción de CD

Puede reproducir discos CD-DA (incluidos CD TEXT), CD-R/CD-RW (archivos MP3/WMA/AAC (página 18) y ATRAC CD (formatos ATRAC3 y ATRAC3plus (página 18))).

Tipo de discos	Etiqueta del disco	
CD-DA		
MP3 WMA AAC ATRAC CD		

• Recepción de radio

– Puede almacenar hasta 6 emisoras de radio por banda.

CDX-H905IP:

FM1, FM2, FM3, AM1 y AM2

CDX-HR905IP:

FM1, FM2, FM3, MW y LW

– **BTM** (Memoria de la mejor sintonía): la unidad selecciona las emisoras que emiten la señal más intensa y las almacena.

• Servicios RDS

– Puede escuchar emisoras FM con el sistema de datos de radio (RDS) en Europa. (CDX-HR905IP)

• Ajuste del sonido

– **EQ3 stage2:** es posible seleccionar entre 7 curvas de ecualizador predefinidas.

– **DSO** (Organizador de sonido de baja frecuencia dinámico): crea un campo de sonido más ambiental, mediante una síntesis de altavoces virtuales, para mejorar el sonido que emiten los altavoces, incluso si están instalados en una posición baja de la puerta.

• Funcionamiento del dispositivo opcional

Es posible conectar varios tipos de dispositivos de audio.

– **iPod:** es posible realizar la conexión del iPod mediante el cable conector de puertos situado en la parte posterior de la unidad.

– **Dispositivo de audio portátil:** es posible conectar un dispositivo de audio portátil mediante la toma de entrada AUX IN situada en la parte posterior de la unidad (conexión analógica).

– **Cambiadores de CD/MD:** es posible conectar cambiadores de CD/MD al sistema BUS de Sony situado en la parte posterior de la unidad.

Resistencia al agua

Esta unidad se ha diseñado para utilizarse en un entorno marino. Para garantizar la protección de la unidad contra la espuma del mar, las olas, la lluvia, la humedad, los rayos ultravioleta, etc., y la fiabilidad y funcionalidad de ésta, se ha sometido la unidad a las siguientes pruebas (sólo el panel frontal):

- Panel frontal resistente al agua con certificación IPx5
- Resistente a la niebla salina, probado según la norma ASTM B117
- Placa del circuito con revestimiento homologada
- Resistente a los rayos ultravioleta, probado según la norma ASTM G154

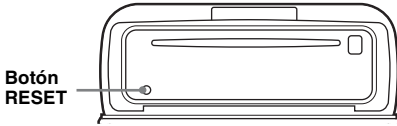
Notas

- *Cierre siempre el panel frontal para mantener la resistencia al agua de la unidad, excepto al introducir o extraer un disco.*
- *No permita que el agua entre en contacto con ninguna parte de la unidad, excepto el panel frontal.*
- *No utilice la unidad en:*
 - lugares en los que la unidad esté expuesta a agua a alta presión, manantiales termales o bañeras, etc.
 - bajo el agua.

Procedimientos iniciales

Restauración de la unidad

Antes de utilizar la unidad por primera vez, después de reemplazar la batería del barco o de cambiar las conexiones, debe restaurar la unidad. Abra el panel frontal y pulse el botón RESET con un objeto puntiagudo como, por ejemplo, un bolígrafo.

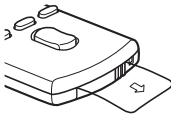


Nota

Al pulsar el botón RESET, se borra el ajuste del reloj y algunos contenidos almacenados.

Preparación del mando a distancia de tarjeta

Antes de utilizar por primera vez el mando a distancia de tarjeta, extraiga la película de aislamiento.



Sugerencia

Para obtener información acerca de cómo sustituir la pila, consulte "Sustitución de la pila de litio del mando a distancia de tarjeta" en la página 19.

Ajuste del reloj

CDX-H905IP:

Indicación de 12 horas

CDX-HR905IP:

Indicación de 24 horas

- 1 Mantenga pulsado el botón **(SELECT)**.**
Aparece la pantalla de ajustes.
- 2 Pulse el botón **(SELECT)** varias veces hasta que aparezca "CLOCK-ADJ".**
- 3 Pulse **(SEEK) +**.**
La indicación de la hora parpadea.
- 4 Gire el selector de control de volumen para ajustar la hora y los minutos.**
Para mover la indicación digital, pulse **(DSPL)**.

5 Pulse **(SELECT)**.

La configuración finaliza y el reloj se inicia.

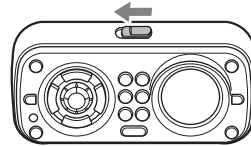
Para mostrar el reloj, pulse **(DSPL)**. Vuelva a pulsar **(DSPL)** para volver a la pantalla anterior.

Sugerencia

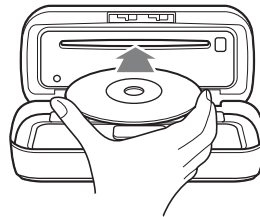
Es posible ajustar el reloj automáticamente con la función RDS (página 12). (solamente CDX-HR905IP)

Introducción del disco en la unidad

- 1 Deslice el interruptor OPEN en la dirección de la flecha.**



- 2 Abra el panel frontal.**
- 3 Introduzca el disco (con la etiqueta hacia arriba).**



- 4 Cierre el panel frontal.**

La reproducción se inicia automáticamente.

Notas

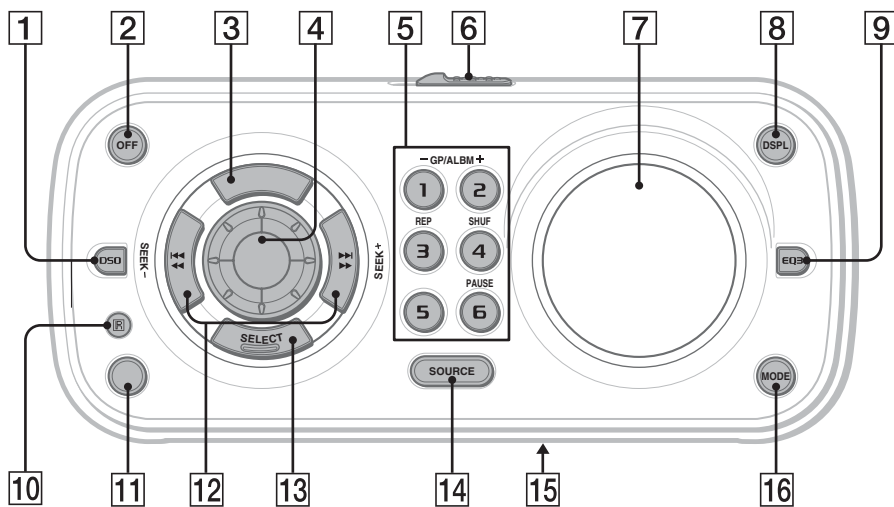
- No coloque nada en la superficie interior del panel frontal.
- Asegúrese de cerrar el panel frontal durante el funcionamiento de la unidad.

Extracción del disco

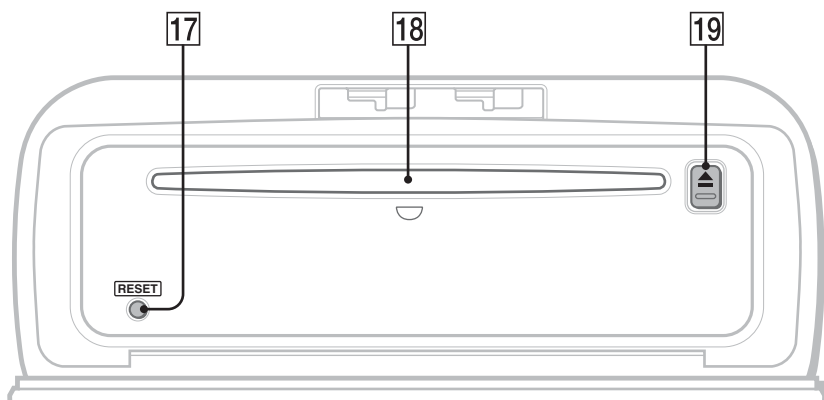
- 1 Deslice el interruptor OPEN y abra el panel frontal.**
- 2 Pulse **(EJECT)**.**
El disco se expulsa.
- 3 Cierre el panel frontal.**

Ubicación de los controles y operaciones básicas

Unidad principal



Panel frontal abierto



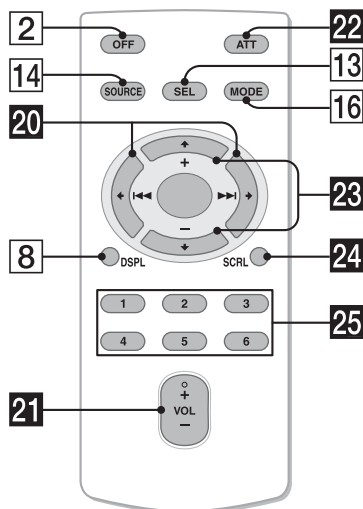
Esta sección contiene instrucciones sobre la ubicación de los controles y las operaciones básicas. Para obtener información detallada, consulte las páginas correspondientes. Para obtener información acerca del funcionamiento del iPod, consulte "iPod" en la página 12. Si desea obtener información acerca de un dispositivo opcional (cambiador de CD/MD, etc.), consulte "Uso de un equipo opcional" en la página 15. Los botones correspondientes del control remoto de tarjeta controlan las mismas funciones que las de la unidad.

- 1 Botón DSO** página 4
Para seleccionar el modo DSO (1, 2, 3 u OFF). Cuanto mayor sea el número, mejor será el efecto.
- 2 Botón OFF**
Para apagar la unidad o detener la fuente.
- 3 Botón SCRL (desplazamiento) (CDX-H905IP)**
Para desplazar el elemento de la pantalla.
Botón AF (frecuencias alternativas)/TA (anuncio de tráfico) (CDX-HR905IP) página 11
Para ajustar AF y TA en RDS.
- 4 Selector de control de volumen** página 14
Para ajustar el volumen.
- 5 Botones numéricos CD/PD:**
1/2: GP/ALBM -/+
Para omitir álbumes (pulsar); para omitir álbumes continuamente (mantener pulsado).
3: REP página 9
4: SHUF página 9
6: PAUSE
Para insertar una pausa en la reproducción de un CD en esta unidad. Para cancelar esta función, vuelva a pulsar el botón.
Radio:
Para recibir emisoras almacenadas (pulsar); para almacenar emisoras (mantener pulsado).
- 6 Interruptor OPEN** página 5
- 7 Pantalla**
- 8 Botón DSPL (pantalla)** página 9, 10
Para cambiar los elementos de la pantalla.

- 9 Botón EQ3 (ecualizador)** página 14
Para seleccionar el tipo de ecualizador (XPLOD, VOCAL, EDGE, CRUISE, SPACE, GRAVITY, CUSTOM u OFF).
- 10 Receptor del mando a distancia de tarjeta**
- 11 Botón BTM/CAT (CDX-H905IP)** página 10
Para iniciar la función BTM (mantener pulsado).
Botón PTY (tipo de programa) (CDX-HR905IP) página 12
Para seleccionar PTY en RDS.
- 12 Botones SEEK +/- CD/PD:**
Para omitir pistas (pulsar); para omitir pistas en forma continuada (pulsar y volver a pulsar antes de que transcurra 1 segundo y mantener pulsado); para avanzar o retroceder una pista rápidamente (mantener pulsado).
Radio:
Para sintonizar emisoras automáticamente (pulsar); para localizar una emisora manualmente (mantener pulsado).
- 13 Botón SELECT**
Para seleccionar los elementos de ajuste.
- 14 Botón SOURCE**
Para encender la unidad o cambiar la fuente (Radio/CD/AUX/PD)*.
- 15 Selector de frecuencias (CDX-H905IP)** (ubicado en la parte inferior de la unidad)
Consulte "Selector de frecuencias" en el manual de instalación/conexiones suministrado.
- 16 Botón MODE** página 10
Para seleccionar la banda de radio*; para seleccionar el modo de reproducción del iPod.
- 17 Botón RESET** página 5
- 18 Ranura del disco** página 5
Para insertar el disco.
- 19 Botón ▲ (expulsar)** página 5
Para expulsar un disco.

continúa en la página siguiente →

Mando a distancia de tarjeta RM-X151



Los botones siguientes del mando a distancia de tarjeta también presentan botones y funciones distintos de los de la unidad. Extraiga la película de aislamiento antes de utilizar el mando a distancia de tarjeta (página 5).

20 Botones ◀ (◀◀)/▶▶ (▶▶▶)

Para controlar el CD, la radio o el PD, de la misma manera que con (SEEK) -/+ en la unidad.

Es posible utilizar la configuración, el ajuste de sonido, etc. mediante ◀ ▶.

21 Botón VOL (volumen) +/-

Para ajustar el volumen.

22 Botón ATT (atenuación)

Para atenuar el sonido. Para cancelar esta función, vuelva a pulsar el botón.

23 Botones ↑ (+)/↓ (-)

Para controlar el CD/PD, de la misma manera que con (GP/ALBM) -/+ en la unidad.

Es posible utilizar la configuración, el ajuste de sonido, etc. mediante ↑ ↓.

24 Botón SCRL (desplazamiento)

Para desplazar el elemento de la pantalla.

25 Botones numéricos

Para recibir emisoras almacenadas (pulsar); para almacenar emisoras (mantener pulsado).

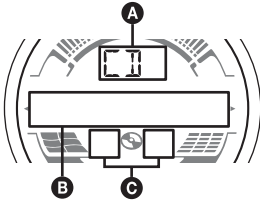
* Si se conecta un cambiador de CD/MD o un sintonizador HD radio o SAT; cuando se pulsa (SOURCE), el dispositivo conectado ("MD", "HD", "XM" o "SR") aparecerá en la pantalla, en función del dispositivo que se conecte. Asimismo, si se pulsa (MODE), podrá modificar el cambiador, la banda del sintonizador HD radio o la banda del sintonizador SAT.
(Un sintonizador HD radio o SAT solamente se puede conectar al modelo CDX-H905IP.)

Nota

Si la unidad está apagada y desaparece la indicación de pantalla, no se podrá utilizar con el mando a distancia salvo que se pulse (SOURCE) en la unidad o se inserte un disco para activarla en primer lugar.

Para obtener más información sobre cómo seleccionar un cambiador de CD/MD, consulte la página 15.

Elementos de la pantalla



- A** Fuente
- B** Número de pista/tiempo de reproducción transcurrido; nombre del disco/artista, número de álbum/grupo*, nombre del álbum/grupo, nombre de la pista, información de texto, reloj
- C** Indicación ATRAC/WMA/MP3/AAC

* El número de álbum/grupo se muestra solamente cuando se cambia de álbum/grupo.

Para cambiar los elementos de la pantalla **B**, pulse **(DSPL)**.

Sugerencia

Los elementos que se muestran variarán en función del tipo de disco, el formato de grabación y los ajustes. Para obtener más información acerca de los archivos MP3/WMA/AAC, consulte la página 18 y para obtener más información acerca de ATRAC CD, consulte la página 18.

Reproducción repetida y aleatoria

1 Durante la reproducción, pulse **(3) (REP)** o **(4) (SHUF)** varias veces hasta que aparezca el ajuste deseado.

Seleccione	Para reproducir
(3) TRACK	pistas en forma repetida.
(3) ALBUM*1	álbumes en forma repetida.
(3) GROUP*2	grupos en forma repetida.
SHUF ALBUM*1	álbumes en orden aleatorio.
SHUF GROUP*2	grupos en orden aleatorio.
SHUF DISC	discos en orden aleatorio.

*1 Cuando se reproduce un archivo MP3/WMA/AAC.

*2 Cuando se reproduce un ATRAC CD.

Para volver al modo de reproducción normal, seleccione **(3) OFF** o **(4) SHUF OFF**.

Radio

Almacenamiento y recepción de emisoras

Atención

Para sintonizar emisoras mientras navega, utilice la función Memoria de la mejor sintonía (BTM) para evitar accidentes.

Almacenamiento automático

— BTM

1 Pulse (SOURCE) varias veces hasta que aparezca “TUNER”.

Para cambiar de banda, pulse (MODE) varias veces.

2 Mantenga pulsado (SELECT).

Aparece la pantalla de ajustes.

3 Pulse (SELECT) varias veces hasta que aparezca “BTM”.

4 Pulse (SEEK) +.

La unidad almacena las emisoras en el orden de frecuencia en los botones numéricos.

La unidad emite un pitido al almacenar el ajuste.

Almacenamiento mediante el botón BTM

(Solamente CDX-H905IP)

Mantenga pulsado (BTM) hasta que “BTM” parpadee, en lugar de realizar los pasos del 2 al 4.

Almacenamiento manual

1 Mientras recibe la emisora que desee almacenar, mantenga pulsado un botón numérico (de (1) a (6)) hasta que aparezca “MEM”.

La indicación de botón numérico aparece en pantalla.

Nota

Si intenta almacenar otra emisora en el mismo botón numérico, se reemplazará la que estaba almacenada previamente.

Sugerencia

Si almacena una emisora RDS, el ajuste de AF/TA también se almacenará (página 11) (Solamente CDX-HR905IP)

Recepción de las emisoras almacenadas

1 Seleccione la banda y, a continuación, pulse un botón numérico (de (1) a (6)).

Sintonización automática

1 Seleccione la banda y, a continuación, pulse (SEEK) -/+ para buscar la emisora.

La búsqueda se detiene cuando la unidad recibe una emisora. Repita este procedimiento hasta recibir la emisora deseada.

Sugerencia

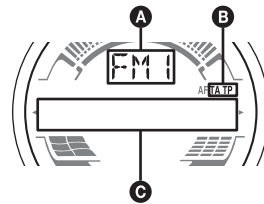
Si conoce la frecuencia de la emisora que desea escuchar, mantenga pulsado (SEEK) -/+ para localizar la frecuencia aproximada y, a continuación, pulse (SEEK) -/+ varias veces para ajustar la frecuencia deseada con mayor precisión (sintonización manual).

RDS (CDX-HR905IP)

Descripción general

Las emisoras FM con servicio de sistema de datos de radio (RDS) envían información digital inaudible junto con la señal de programa de radio normal.

Elementos de la pantalla



A Banda de radio, función

B TA/TP*1

C Frecuencia*2 (nombre del servicio del programa), número de presintonía, reloj, datos RDS

*1 “TA” parpadea mientras se recibe información de tráfico. “TP” se ilumina mientras se recibe una emisora de este tipo.

2 Durante la recepción de una emisora RDS, aparece en la pantalla “” a la izquierda de la indicación de frecuencia.

Para cambiar los elementos de la pantalla **C**, pulse (DSPL).

Servicios RDS

Esta unidad proporciona servicios RDS automáticamente como se indica a continuación:

AF (frecuencias alternativas)

Selecciona y vuelve a sintonizar la emisora que tenga la señal más intensa de la red. Mediante esta función, podrá escuchar de forma continua el mismo programa durante trayectos de larga distancia sin tener que volver a sintonizar la misma emisora manualmente.

TA (anuncio de tráfico)/TP (programa de tráfico)

Proporciona la información/los programas actuales de tráfico. Cualquier información/programa recibido, interrumpirá la fuente seleccionada actual.

PTY (tipos de programa)

Muestra el tipo de programa que se recibe actualmente. Asimismo, busca el tipo de programa seleccionado.

CT (hora del reloj)

Los datos CT de la transmisión RDS ajustan el reloj.

Notas

- En función del país/región, no todas las funciones del servicio RDS estarán disponibles.
- El servicio RDS no funcionará si la señal es demasiado débil o si la emisora que sintoniza no transmite datos RDS.

Ajuste de AF y TA

1 Pulse **(AF/TA)** varias veces hasta que aparezca el ajuste deseado.

Seleccione	Para
AF-ON	activar AF y desactivar TA.
TA-ON	activar TA y desactivar AF.
AF, TA-ON	activar AF y TA.
AF, TA-OFF	desactivar AF y TA.

Almacenamiento de emisoras RDS con el ajuste de las funciones AF y TA

Es posible preestablecer emisoras RDS con el ajuste AF/TA. Si utiliza la función BTM, sólo se almacenan las emisoras RDS con el mismo ajuste AF/TA.

Es posible preestablecer emisoras manualmente tanto si son RDS como si no, con el ajuste AF/TA que corresponda.

- 1 Ajuste AF/TA y, a continuación, almacene la emisora con BTM o manualmente.

Recepción de anuncios de emergencia

Con las funciones AF o TA activadas, los anuncios de emergencia interrumpirán automáticamente la fuente seleccionada actual.

Sugerencia

Si ajusta el nivel de volumen durante un anuncio de tráfico, ese nivel se almacenará en la memoria para los siguientes anuncios de tráfico, independientemente del nivel de volumen normal.

Permanencia en un programa regional — REG

Si la función AF está activada: la configuración de fábrica de la unidad restringe la recepción a una región específica, por este motivo, no cambiará a otra emisora regional con una frecuencia más intensa.

Si abandona la zona de recepción de dicho programa regional, ajuste “REG-OFF” en la configuración durante la recepción FM (página 15).

Nota

Esta función no está disponible en el Reino Unido ni en algunas otras zonas.

Función Local Link (solamente Reino Unido)

Esta función permite seleccionar otras emisoras locales de la zona, aunque no estén almacenadas en los botones numéricos.

- 1 Durante la recepción FM, pulse un botón numérico (de ① a ⑥) en el cuál esté almacenada una emisora local.
- 2 Transcurridos 5 segundos, vuelva a pulsar el botón numérico de la emisora local. Repita este procedimiento hasta recibir la emisora local.

Selección de PTY

1 Pulse **(PTY)** durante la recepción FM.



El nombre del tipo de programa actual aparece si la emisora transmite datos PTY.

2 Pulse **(PTY)** varias veces hasta que aparezca el tipo de programa deseado.

3 Pulse **(SEEK) -/+**.

La unidad comienza la búsqueda de emisoras que ofrezcan el tipo de programa seleccionado.

Tipos de programas

NEWS (noticias), **AFFAIRS** (temas de actualidad), **INFO** (información), **SPORT** (deportes), **EDUCATE** (educación), **DRAMA** (drama), **CULTURE** (cultura), **SCIENCE** (ciencia), **VARIED** (variado), **POP M** (música popular), **ROCK M** (música rock), **EASY M** (música ligera), **LIGHT M** (clásica ligera), **CLASSICS** (clásica), **OTHER M** (otros tipos de música), **WEATHER** (el tiempo), **FINANCE** (finanzas), **CHILDREN** (programas infantiles), **SOCIAL A** (temas sociales), **RELIGION** (religión), **PHONE IN** (entrada de teléfono), **TRAVEL** (viajes), **LEISURE** (ocio), **JAZZ** (música jazz), **COUNTRY** (música country), **NATION M** (música nacional), **OLDIES** (música de décadas pasadas), **FOLK M** (música folk), **DOCUMENT** (documental)

Nota

No es posible utilizar esta función en países/regiones en los que no estén disponibles los datos PTY.

Ajuste CT

1 Ajuste "CT-ON" en la configuración (página 14).

Notas

- Es posible que la función CT no funcione aunque se reciba una emisora RDS.
- Puede haber una diferencia entre la hora de la función CT y la hora real.

iPod

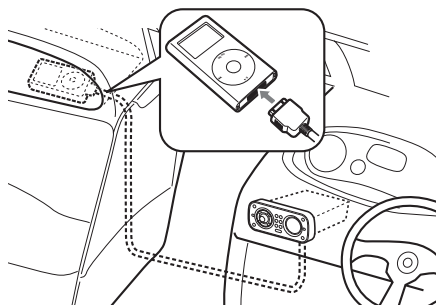
Reproducción en el iPod

Si conecta un iPod al conector de puertos de la parte posterior de la unidad, podrá escucharlo a través de los altavoces del barco, mientras controla el iPod desde la unidad.

Notas

- Si conecta un iPod al conector de puertos, no podrá utilizar el iPod.
- Antes de conectar el iPod al conector de puertos, baje el volumen de la unidad.
- Cuando no utilice el conector de puertos, utilice la tapa del conector de puertos para evitar que entre agua.

Reproducción de pistas



1 Conecte el iPod al conector de puertos.

El iPod se encenderá automáticamente y se visualizará la pantalla del iPod como se muestra a continuación.



2 Pulse **(SOURCE)** varias veces hasta que aparezca "PD".

Aparecerá "PD 1 PORTABLE" y se iniciará la reproducción de las pistas del iPod automáticamente desde el último punto reproducido.

3 Pulse **(MODE)** para seleccionar el modo de reproducción.

El modo cambia de la manera siguiente:
RESUMING → **ALBUM** → **ARTIST** → **PLAYLIST**

4 Ajuste el volumen.

Pulse **(OFF)** para detener la reproducción.

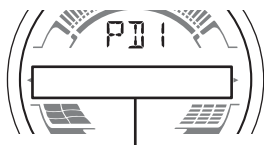
Sugerencias

- Si el iPod está conectado al conector de puertos, el modo cambia al modo de reanudación. En el modo de reanudación, al pulsar (3) (repetición), (4) (reproducción aleatoria) o (5) (exploración) no se lleva a cabo ninguna acción. Si pulsa (MODE) o (1)/(2) (GP/ALBM -/+), (3) (repetición), (4) (reproducción aleatoria) o (5) (exploración) se utilizarán para cambiar el modo de reproducción.
- Cuando la llave de encendido se coloca en la posición ACC o la unidad está encendida, el iPod se recarga.
- Si se desconecta el iPod durante la reproducción, se inserta una pausa en la reproducción.

Nota

No es posible conectar otro iPod mediante el adaptador de interfaz XA-110IP o XA-120IP.

Elementos de la pantalla



Nombre de pista/álbum/artista,
número de pista, tiempo de
reproducción transcurrido, reloj

Para cambiar los elementos de la pantalla, pulse (DSPL).

Nota

Es posible que algunas letras almacenadas en el iPod no se visualicen correctamente.

Ajuste del modo de reproducción

Selección del álbum, artista o lista de reproducción

1 Durante la reproducción, pulse

(MODE).

El modo cambia de la manera siguiente:

ALBUM → ARTIST → PLAYLIST

Omisión de álbumes, artistas y listas de reproducción

Para	Pulse
Omitir	(1)/(2) (GP/ALBM -/+) [pulse una vez para cada uno]
Omitir continuamente	(1)/(2) (GP/ALBM -/+) [mantener pulsado hasta el punto deseado]

Reproducción repetida y aleatoria

1 Durante la reproducción, pulse (3) (REP) o (4) (SHUF) varias veces hasta que aparezca el ajuste deseado.

Seleccione	Para reproducir
REP TRK	pistas en forma repetida.
REP ALB	álbumes en forma repetida.
REP ART	artistas en forma repetida.
REP PLY	listas de reproducción de forma repetida.
SHUF ALB	álbumes en orden aleatorio.
SHUF ART	artistas en orden aleatorio.
SHUF PLY	listas de reproducción en orden aleatorio.
SHUF ALL	todas las pistas en orden aleatorio.

Para volver al modo de reproducción normal, seleccione “REP OFF” o “SHUF OFF”.

Nota

(1)/(2) (GP/ALBM -/+) no funcionará durante la reproducción aleatoria.

Exploración

Puede localizar rápidamente un punto específico en el iPod.

1 Durante la reproducción, pulse (5) hasta que aparezca “SCAN ON”.

Se reproducirán los primeros 10 segundos de cada pista.

Para volver al modo de reproducción normal, seleccione “SCAN OFF”.

Nota

Esta función no estará disponible durante la reproducción aleatoria.

Otras funciones

Cambio de los ajustes de sonido

Ajuste de las características del sonido — BAL/FAD/SUB

Puede ajustar el balance, el equilibrio y el volumen del altavoz potenciador de graves.

1 Pulse **(SELECT) varias veces hasta que aparezca “BAL”, “FAD” o “SUB”.**

El elemento cambia de la manera siguiente:

LOW*1 → **MID***1 → **HI***1 →

BAL (izquierdo-derecho) →

FAD (frontal-posterior) →

SUB (volumen del altavoz potenciador de graves)*2 → **AUX***3

*1 Si está activado EQ3 (página 14).

*2 Cuando la salida de audio se ajusta en “SUB” (página 15).

“ATT” aparece con el ajuste más bajo y puede ajustarse hasta con 21 intervalos.

*3 Si está activada la fuente AUX (página 16).

2 Gire el selector de control de volumen para ajustar el elemento seleccionado.

Después de 3 segundos, se completa el ajuste y la pantalla vuelve al modo de reproducción/recepción normal.

Personalización de la curva de ecualizador — EQ3

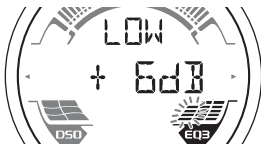
“CUSTOM” de EQ3 le permite realizar sus propios ajustes en el ecualizador.

1 Seleccione una fuente y pulse **(EQ3) varias veces para seleccionar “CUSTOM”.**

2 Pulse **(SELECT) varias veces hasta que aparezca “LOW”, “MID” o “HI”.**

3 Gire el selector de control de volumen para ajustar el elemento seleccionado.

El nivel de volumen puede ajustarse en intervalos de 1 dB entre -10 dB y +10 dB.



Repita los pasos 2 y 3 para ajustar la curva de ecualizador.

Para restaurar la curva de ecualizador ajustada en fábrica, mantenga pulsado **(SELECT)** antes de que finalice el ajuste.

Después de 3 segundos, se completa el ajuste y la pantalla vuelve al modo de reproducción/recepción normal.

Sugerencia

También es posible ajustar otros tipos de ecualizador.

Definición de los elementos de configuración — SET

1 Mantenga pulsado el botón **(SELECT).**
Aparece la pantalla de ajustes.

2 Pulse **(SELECT) varias veces hasta que aparezca el elemento deseado.**

3 Gire el selector de control de volumen para seleccionar el ajuste (por ejemplo, “ON” u “OFF”).

4 Mantenga pulsado el botón **(SELECT).**
La configuración finaliza y la pantalla vuelve al modo de reproducción/recepción normal.

Nota

Los elementos que se muestran en pantalla variarán en función de la fuente y del ajuste.

Se pueden ajustar los elementos siguientes (consulte la referencia de la página para obtener más información):

“●” indica el ajuste predeterminado.

CLOCK-ADJ (ajuste del reloj) (página 5)

CT*1 (hora del reloj)

Permite ajustar “CT-ON” o “CT-OFF” (●) (página 11, 12).

BEEP

Permite ajustar “BEEP-ON” (●) o “BEEP-OFF”.

AUX-A*2 (audio AUX)

Permite ajustar la pantalla de la fuente auxiliar en “AUX-A-ON” (●) o “AUX-A-OFF” (página 16).

A.OFF (desconexión automática)

Para desconectar la alimentación automáticamente una vez transcurrido un período de tiempo deseado cuando la unidad está apagada: “A.OFF-NO” (●), “A.OFF-30S (segundos),” “A.OFF-30M (minutos)” o “A.OFF-60M (minutos)”.

REAR/SUB*2

Para cambiar la salida de audio.

- “REAR-OUT” (●): para que la salida se realice a través de un amplificador de potencia.
- “SUB-OUT”: para que la salida se realice a través de un altavoz potenciador de graves.

DEMO (demostración)

Permite ajustar “DEMO-ON” (●) o “DEMO-OFF”.

DIM (atenuador)

Para cambiar el brillo de la pantalla.

- “DIM-AT” (●): para atenuar la pantalla automáticamente cuando las luces se encienden.
- “DIM-OFF”: para desactivar el atenuador.
- “DIM-ON”: para atenuar la pantalla.

CONTRAST

Para ajustar el contraste de la pantalla.

El nivel de contraste se puede ajustar en 7 niveles.

ILM (iluminación)

Para cambiar el color de la iluminación:

“ILM-1” (●) o “ILM-2”.

M.DSPL (desplazamiento de indicaciones)

Permite seleccionar el modo de desplazamiento de indicaciones.

- “M.DSPL-LM” (●): para mostrar los patrones de movimiento y el nivel.
- “M.DSPL-OFF”: para desactivar el desplazamiento de indicaciones.
- “M.DSPL-ON”: para mostrar los patrones de movimiento.

A.SCRL (desplazamiento automático)

Para desplazar automáticamente los elementos de la pantalla cuando se cambia de disco, álbum, grupo o pista.

- “A.SCRL-ON” (●): para que se desplacen.
- “A.SCRL-OFF”: para que no se desplacen.

LOCAL (modo de búsqueda local)

– “LOCAL-OFF” (●): para ajustar la recepción normal.

– “LOCAL-ON”: para que se sintonicen solamente las emisoras de señal más intensa.

MONO*3 (modo monoaural)

Para mejorar una recepción de FM defectuosa, seleccione el modo de recepción monoaural.

- “MONO-OFF” (●): para escuchar las emisiones estéreo en estéreo.
- “MONO-ON”: para escuchar las emisiones estéreo en monoaural.

REG*1*3 (regional)

Permite ajustar “REG-ON” (●) o “REG-OFF” (página 11).

LPF*4 (filtro de paso bajo)

Para seleccionar la frecuencia de corte del altavoz potenciador de graves: “LPF OFF” (●), “LPF125Hz” o “LPF 78Hz”.

LOUD (sonoridad)

Permitir escuchar el sonido con claridad a niveles de volumen bajo.

- “LOUD-ON”: para reforzar los agudos y graves.
- “LOUD-OFF” (●): para no reforzar los agudos y graves.

BTM (página 10)

*1 Solamente CDX-HR905IP

*2 Cuando la unidad está apagada.

*3 Cuando se recibe FM.

*4 Cuando la salida de audio se ajusta en “SUB”.

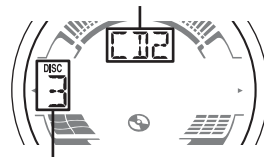
Uso de un equipo opcional

Cambiador de CD/MD

Selección del cambiador

- 1 Pulse (SOURCE) varias veces hasta que aparezca “CD” o “MD”.
- 2 Pulse (MODE) varias veces hasta que aparezca el cambiador deseado.

Número de unidad



Número del disco

Se inicia la reproducción.

Omisión de álbumes y discos

- 1 Durante la reproducción, pulse (1)/(2) (GP/ALBM -/+).

Para omitir	Pulse (1)/(2) (GP/ALBM -/+)
un álbum	y suéltelo (manténgalo pulsado durante un momento).
un álbum continuamente	antes de que transcurran 2 segundos de haberlo soltado por primera vez.
discos	varias veces.
discos continuamente	a continuación, vuelva a pulsarlo antes de que transcurran 2 segundos y manténgalo pulsado.

continúa en la página siguiente →

Reproducción repetida y aleatoria

- 1 Durante la reproducción, pulse (3) (REP) o (4) (SHUF) varias veces hasta que aparezca el ajuste deseado.

Seleccione	Para reproducir
↶ DISC	un disco varias veces.
SHUF CHANGER	las pistas del cambiador en orden aleatorio.
SHUF ALL*	las pistas de todas las unidades en orden aleatorio.

* Si se conectaron uno o más cambiadores de CD, o dos o más cambiadores de MD.

Para volver al modo de reproducción normal, seleccione “↶ OFF” o “SHUF OFF”.

Sugerencia

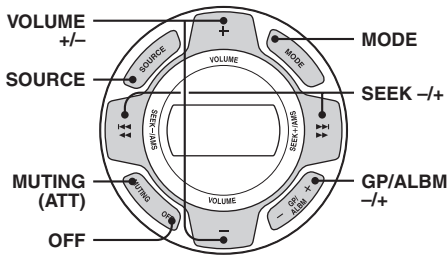
“SHUF ALL” no reproduce las pistas en orden aleatorio entre unidades de CD y cambiadores de MD.

Mando a distancia subacuático RM-X55M/X11M

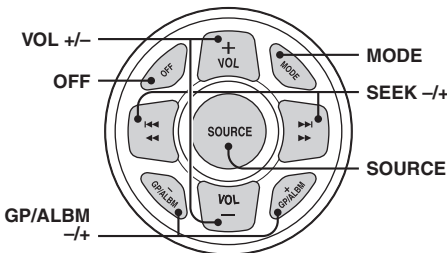
Ubicación de los controles

Los botones correspondientes del mando a distancia subacuático controlan las mismas funciones que los de la unidad.

RM-X55M



RM-X11M



Los siguientes controles del mando a distancia subacuático requieren una operación diferente a los de la unidad.

• Botones VOLUME (VOL) +/-

Igual que el selector de control de volumen de la unidad.

• Botón MUTING

Para atenuar el sonido. (Funciona igual que (ATT) en el mando a distancia de tarjeta).

Equipo de audio auxiliar

Si conecta un dispositivo de audio portátil opcional a la toma de entrada AUX IN de la unidad y simplemente selecciona la fuente, podrá escuchar el sonido por los altavoces del barco. Puede ajustar cualquier diferencia en el nivel de volumen entre la unidad y el dispositivo de audio portátil. Siga este procedimiento:

Ajuste del nivel de volumen

Asegúrese de ajustar el volumen de cada dispositivo de audio conectado antes de la reproducción.

- 1 Baje el volumen de la unidad.
- 2 Pulse (SOURCE) varias veces hasta que aparezca “AUX”. Aparece “AUX REAR IN”.
- 3 Inicie la reproducción del dispositivo de audio portátil a un volumen moderado.
- 4 Ajuste el volumen acostumbrado en la unidad.
- 5 Pulse (SELECT) varias veces hasta que aparezca “AUX” y, a continuación, gire el selector de control de volumen para ajustar el nivel de entrada (de -8 dB a +18 dB).

Información adicional

Precauciones

- Si el barco se ha amarrado bajo la luz directa del sol, deje que la unidad se enfríe antes de utilizarla.
- La antena motorizada se extenderá automáticamente mientras la unidad se encuentre en funcionamiento.

Condensación de humedad

En días lluviosos o en zonas muy húmedas, es posible que se condense humedad en el interior de las lentes y la pantalla de la unidad. Si esto ocurre, la unidad no funcionará correctamente. En este caso, retire el disco y espere aproximadamente una hora hasta que se evapore la humedad.

Para mantener una alta calidad de sonido

Asegúrese de no derramar zumos ni refrescos sobre la unidad o los discos.

Notas sobre los discos

- Para mantener los discos limpios, no toque su superficie. Tómelos por los bordes.
- Guarde los discos en sus cajas o en los cargadores de discos cuando no los use.
- No someta los discos al calor ni a altas temperaturas. Evite dejarlos en un barco amarrado.
- No adhiera etiquetas ni utilice discos con residuos de pegamento o tinta. Tales discos pueden dejar de girar durante el uso, lo que provocará un fallo de funcionamiento o daños en el disco.



- No utilice discos con etiquetas u adhesivos. Su uso puede producir los siguientes fallos de funcionamiento:
 - Imposibilidad de expulsar el disco (debido a una etiqueta o adhesivo que se despega y obstruye el mecanismo de expulsión).
 - Imposibilidad de leer los datos de audio correctamente (por ejemplo, se interrumpe la reproducción o simplemente no se produce) debido a que el calor contrae el adhesivo o la etiqueta y hace que el disco se deforme.
- No se pueden reproducir en esta unidad discos con formas no estándar (por ejemplo, formas de corazón, cuadrado o estrella). Si intenta la reproducción de este tipo de discos, puede dañar la unidad. No utilice este tipo de discos.
- No es posible reproducir discos compactos de 8 cm.

- Antes de reproducir los discos, límpielos con un paño de limpieza disponible en el mercado. Hágalo desde el centro hacia los bordes. No utilice disolventes como bencina, diluyentes, productos de limpieza disponibles en el mercado ni aerosoles antiestáticos para discos analógicos.



Notas sobre los discos CD-R/CD-RW

- Según el estado del disco o el equipo utilizado para su grabación, es posible que algunos discos CD-R y CD-RW no puedan reproducirse en esta unidad.
- No es posible reproducir un disco CD-R o un CD-RW que no esté finalizado.
- La unidad es compatible con la norma ISO 9660 de formato de nivel 1 o nivel 2, con la norma Joliet/Romeo en cuanto al formato de expansión y con Multi Session.
- Cantidad máxima de:
 - carpetas (álbumes): 150 (incluidas la carpeta raíz y las carpetas vacías).
 - archivos (pistas) y carpetas contenidas en un disco: 300 (si un nombre de archivo o carpeta contiene muchos caracteres, este número puede ser inferior a 300).
 - caracteres que se pueden visualizar en el nombre de un archivo o carpeta: 32 (Joliet) o 64 (Romeo).
- Cuando el disco se graba en Multi Session, sólo se reconoce y reproduce la primera pista del formato de la primera sesión (el resto de formatos se omite). La prioridad de formatos es CD-DA, ATRAC CD y MP3/WMA/AAC.
 - Cuando la primera pista es un CD-DA, solamente se reproduce el CD-DA de la primera sesión.
 - Cuando la primera pista no es un CD-DA, se reproduce una sesión de ATRAC CD o MP3/WMA/AAC. Si el disco no contiene datos en ninguno de estos formatos, aparece "NO MUSIC".

Discos de música codificados con tecnologías de protección de los derechos de autor

Este producto ha sido diseñado para reproducir discos que cumplen con el estándar Compact Disc (CD).

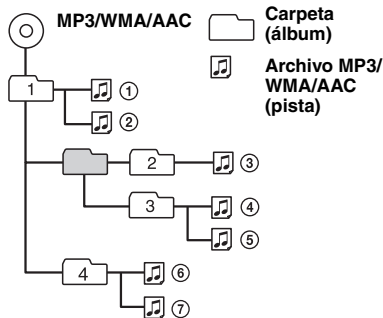
Recientemente, algunas compañías discográficas comercializan discos de música codificados con tecnologías de protección de derechos de autor. Tenga en cuenta que, entre estos discos, algunos no cumplen con el estándar CD, por lo que no podrán reproducirse con este producto.

continúa en la página siguiente →

Nota sobre discos DualDisc

Un DualDisc es un disco de dos caras que combina material grabado en DVD en una cara con material de audio digital en la otra cara. Sin embargo, como el lado del material de audio no cumple con la norma Compact Disc (CD), no es seguro que la reproducción pueda hacerse en este producto.

Orden de reproducción de los archivos MP3/WMA/AAC



Acerca de los archivos MP3

- MP3, que significa MPEG-1 Audio Layer-3, es un formato estandarizado que permite comprimir archivos de música. Comprime datos de CD de audio a aproximadamente 1/10 de su tamaño original.
- Las versiones 1.0, 1.1, 2.2, 2.3 y 2.4 del indicador ID3 se aplican solamente al formato MP3. El indicador ID3 puede tener de 15/30 caracteres (versiones 1.0 y 1.1) o de 63/126 caracteres (versiones 2.2, 2.3 y 2.4).
- Cuando nombre un archivo MP3, asegúrese de añadir la extensión “.mp3” al nombre de archivo.
- Durante la reproducción o el avance o retroceso rápido de un archivo MP3 grabado en VBR (velocidad de bits variable), es posible que el tiempo de reproducción transcurrido no coincida con la realidad.

Acerca de los archivos WMA

- WMA, que significa Windows Media Audio, es un formato estandarizado que permite comprimir archivos de música. Comprime datos de CD de audio a aproximadamente 1/22* de su tamaño original.
- El indicador WMA tiene 63 caracteres.
- Cuando nombre un archivo WMA, asegúrese de añadir la extensión “.wma” al nombre de archivo.
- Durante la reproducción o el avance o retroceso rápido de un archivo WMA grabado en VBR (velocidad de bits variable), es posible que el tiempo de reproducción transcurrido no coincida con la realidad.

Nota sobre WMA

La reproducción de los siguientes archivos WMA no es compatible.

- compresión sin pérdidas
- protegidos por derechos de autor

Acerca de los archivos AAC

- AAC, que significa Advanced Audio Coding, es un formato estandarizado que permite comprimir archivos de música. Comprime datos de CD de audio a aproximadamente 1/11* de su tamaño original.
- El indicador AAC tiene 126 caracteres.
- Cuando nombre un archivo AAC, asegúrese de añadir la extensión “.m4a” al nombre de archivo.
- Durante la reproducción o el avance o retroceso rápido de un archivo AAC grabado en VBR (velocidad de bits variable), es posible que el tiempo de reproducción transcurrido no coincida con la realidad.

* solamente de los 128 kbps

Notas sobre AAC

La reproducción de archivos protegidos por derechos de autor no es compatible.

Acerca de ATRAC CD

Formato ATRAC3plus

ATRAC3, que significa Adaptive Transform Acoustic Coding3, es una tecnología de compresión de audio. Comprime datos de CD de audio a aproximadamente 1/10 de su tamaño original. ATRAC3plus, que es un formato extendido de ATRAC3, comprime los datos de CD de audio a aproximadamente 1/20 de su tamaño original. La unidad acepta tanto el formato ATRAC3 como el ATRAC3plus.

ATRAC CD

ATRAC CD son datos de CD de audio grabados que se han comprimido al formato ATRAC3 o ATRAC3plus mediante el software autorizado como, por ejemplo, SonicStage 2.0 o posterior, o SonicStage Simple Burner.

- Cantidad máxima de:
 - carpetas (grupos): 255
 - archivos (pistas): 999
- Se visualizan los caracteres de un nombre de archivo/carpeta y la información de texto que escribe SonicStage.

Para obtener más información acerca de ATRAC CD, consulte el manual de SonicStage o SonicStage Simple Burner.

Nota

Asegúrese de crear ATRAC CD mediante el software autorizado como, por ejemplo, SonicStage 2.0 o posterior, o SonicStage Simple Burner 1.0 ó 1.1.

Acerca del iPod

Es posible utilizar esta unidad con el tipo de conector de puertos del iPod, iPod photo, iPod mini e iPod nano con las siguientes versiones de software. No se garantiza el funcionamiento con todas las versiones anteriores a las indicadas.

- iPod de tercera generación: versión 2.3.0
- iPod de cuarta generación: versión 3.1.1
- iPod de quinta generación: versión 1.2
- iPod photo: versión 1.2.1
- iPod mini: versión 1.4.1
- iPod nano de primera generación: versión 1.3
- iPod nano de segunda generación: versión 1.1 (no es compatible con la función de vídeo del iPod de quinta generación y la función de fotografía del iPod photo).

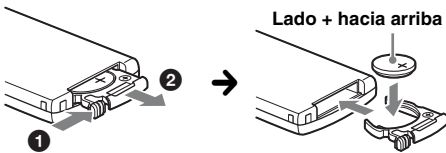
Para los clientes de los Estados Unidos, se recomienda visitar el siguiente sitio Web para obtener más información:
<http://www.xplodsony.com>

Si desea realizar alguna consulta o solucionar algún problema relativo a la unidad que no se trate en este manual, póngase en contacto con el distribuidor Sony más cercano.

Mantenimiento

Sustitución de la pila de litio del mando a distancia de tarjeta

En condiciones normales, la pila durará aproximadamente 1 año. (La vida útil puede ser menor, dependiendo de las condiciones de uso.) Cuando la pila está próxima a agotarse, el campo de acción del control remoto de tarjeta es menor. Cámbiela por una pila de litio CR2025 nueva. Si se utiliza una pila distinta, podría producirse un incendio o una explosión.



Notas sobre la pila de litio

- Mantenga la pila de litio fuera del alcance de los niños. En caso de tragarse la pila, póngase en contacto inmediatamente con el médico.
- Limpie la pila con un paño seco para garantizar un buen contacto.
- Asegúrese de colocar la pila con la polaridad correcta.
- No coja la pila con pinzas metálicas, ya que podría producirse un cortocircuito.

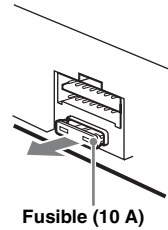
ADVERTENCIA

La pila puede explotar si no se emplea adecuadamente.

No recargue la pila; tampoco la desmonte ni la arroje al fuego.

Cambio del fusible

Al cambiar el fusible, asegúrese de utilizar uno con el mismo amperaje indicado en el fusible original. Si se funde el fusible, compruebe la conexión de la alimentación y cambie el fusible. Si el fusible se vuelve a fundir después de cambiarlo, es posible que haya un problema interno. En este caso, póngase en contacto con su distribuidor de Sony.



Especificaciones

Sección del reproductor de CD

Relación señal-ruido: 120 dB

Respuesta de frecuencia: de 10 a 20.000 Hz

Fluctuación y trémolo: inferior al límite medible

Sección del sintonizador

CDX-H905IP:

FM

Rango de sintonización:

de 87,5 a 108,0 MHz (a intervalos de 50 kHz)

de 87,5 a 107,9 MHz (a intervalos de 200 kHz)

Intervalo de sintonización de FM:

50 kHz/200 kHz intercambiable

Terminal de antena: conector de antena externa

Frecuencia intermedia: 10,7 MHz/450 kHz

Sensibilidad útil: 9 dBf

Selectividad: 75 dB a 400 kHz

Relación señal-ruido: 67 dB (estéreo), 69 dB (mono)

Distorsión armónica a 1 kHz: 0,5 % (estéreo), 0,3 % (mono)

Separación: 35 dB a 1 kHz

Respuesta de frecuencia: de 30 a 15.000 Hz

AM

Rango de sintonización:

de 531 a 1.602 kHz (a intervalos de 9 kHz)

de 530 a 1.710 kHz (a intervalos de 10 kHz)

Intervalo de sintonización de AM:

9 kHz/10 kHz intercambiable

Terminal de antena: conector de antena externa

Frecuencia intermedia: 10,7 MHz/450 kHz

Sensibilidad: 30 µV

continúa en la página siguiente →

CDX-HR905IP:

FM

Rango de sintonización: de 87,5 a 108,0 MHz

Terminal de antena: conector de antena externa

Frecuencia intermedia: 10,7 MHz/450 kHz

Sensibilidad útil: 9 dBf

Selectividad: 75 dB a 400 kHz

Relación señal-ruido: 67 dB (estéreo), 69 dB (mono)

Distorsión armónica a 1 kHz: 0,5 % (estéreo),
0,3 % (mono)

Separación: 35 dB a 1 kHz

Respuesta de frecuencia: de 30 a 15.000 Hz

MW/LW

Rango de sintonización:

MW: de 531 a 1.602 kHz

LW: de 153 a 279 kHz

Terminal de antena: conector de antena externa

Frecuencia intermedia: 10,7 MHz/450 kHz

Sensibilidad: MW: 30 µV, LW: 40 µV

Sección del amplificador de potencia

Salidas: salidas de altavoz (conectores de sellado seguro)

Impedancia de altavoz: 4 – 8 ohmios

Máxima potencia de salida: 52 W × 4 (a 4 ohmios)

General

Salidas:

- Terminal de salidas de audio (frontal, intercambiable entre posterior y sub)
- Terminal de control de relé de la antena motorizada
- Terminal de control del amplificador de potencia

Entradas:

- Terminal de control ATT de teléfono
- Terminal de control de iluminación
- Terminal de entrada de control BUS
- Terminal de entrada de audio BUS
- Terminal de entrada del mando a distancia
- Terminal de entrada de la antena
- Terminal de entrada AUX
- Terminal de entrada de señal del iPod (conector de puertos)

Controles de tono:

- Graves: ±10 dB a 60 Hz (XPLOD)
- Medios: ±10 dB a 1 kHz (XPLOD)
- Agudos: ±10 dB a 10 kHz (XPLOD)

Alimentación: batería de barco cc de 12 V (masa negativa)

Dimensiones: aprox. 197 × 89 × 187 mm (an/al/prf)

Dimensiones de montaje: aprox. 181 × 52 × 144 mm (an/al/prf)

Peso: aprox. 1,8 kg

Accesorios suministrados:

- Mando a distancia de tarjeta: RM-X151
- Componentes de instalación y conexiones (1 juego)

Equipo y accesorios opcionales*:

Mando a distancia subacuático: RM-X55M,

RM-X11M

Cable BUS (suministrado con un cable con terminales RCA):

RC-61 (1 m), RC-62 (2 m)

Cambiador de CD (10 discos): CDX-757MX

Cambiador de CD (6 discos): CDX-T70MX,

CDX-T69

Selector de fuente: XA-C40

Selector AUX-IN: XA-300

CDX-H905IP

Sintonizador HD Radio™: XT-100HD

* El equipo y los accesorios, excepto el mando a distancia subacuático RM-X55M/X11M no son resistentes al agua. No los exponga al agua.

Es posible que su distribuidor no comercialice algunos de los accesorios que figuran en la lista anterior. Para obtener más información, consulte al distribuidor.

Patentes de los EE.UU. y otros países usados con licencia de Dolby Laboratories.

Tecnología de codificación de audio MPEG Layer-3 y patentes bajo licencia de Fraunhofer IIS y Thomson.

Este producto está protegido por los derechos de propiedad intelectual de Microsoft Corporation. Queda prohibido el uso o la distribución de esta tecnología fuera de este producto si no se dispone de una licencia de Microsoft o una división autorizada de Microsoft.

Nota

Esta unidad no puede conectarse a un preamplificador digital ni a un ecualizador que sea compatible con el sistema BUS de Sony.

El diseño y las especificaciones pueden variar sin previo aviso.



- Ciertas placas del circuito impreso no contienen retardantes de llama halogenados.
- Los chasis impresos no contienen retardantes de llama halogenados.
- Para el material de relleno y protección se ha utilizado papel.

Solución de problemas

La siguiente lista de comprobación pretende facilitar la solución de los problemas que surjan con la unidad.

Antes de consultar la siguiente lista de comprobación, verifique los procedimientos de conexión y de funcionamiento.

General

La unidad no recibe alimentación.

- Revise la conexión. Si todo está en orden, compruebe el fusible.
- Si la unidad está apagada y la pantalla desaparece, no se puede operar con el mando a distancia.
→ Apague la unidad.

La antena motorizada no se extiende.

La antena motorizada no dispone de una caja de relé.

No se emite el sonido.

- El volumen está demasiado bajo.
- Está activada la función ATT o la función ATT de teléfono (cuando se conecta el cable de interfaz de un teléfono para automóvil al cable ATT).
- La posición del control de equilibrio "FAD" no está ajustada para un sistema de 2 altavoces.
- El cambiador de CD no es compatible con el formato del disco (MP3/WMA/AAC/ATRAC CD).
→ Realice la reproducción con un cambiador de CD compatible con MP3 de Sony o con esta unidad.

No se escuchan pitidos.

- El sonido de los pitidos está cancelado (página 14).
- Se encuentra conectado un amplificador de potencia opcional y no está usando el amplificador integrado.

El contenido de la memoria se borró.

- Pulsó el botón RESET.
→ Vuelva a almacenar los datos en la memoria.
- Se desconectó el cable de fuente de alimentación o la batería.
- El cable de fuente de alimentación no está conectado correctamente.

Las emisoras almacenadas y la hora correcta se borraron.

El fusible se fundió.

Se escucha ruido cuando se cambia la posición del interruptor de la llave de encendido.

Los cables no coinciden correctamente con el conector de alimentación auxiliar del barco.

Durante la reproducción o recepción, se inicia el modo de demostración.

Si no se realiza ninguna operación durante 5 minutos con el ajuste "DEMO-ON", se inicia el modo de demostración.

→ Ajuste "DEMO-OFF" (página 15).

Las indicaciones desaparecen del visualizador o no aparecen en él.

- El atenuador está ajustado en "DIM-ON" (página 15).
- La pantalla se apaga si mantiene pulsado (OFF).
→ Mantenga pulsado (OFF) en la unidad hasta que se ilumine la pantalla.

No funciona la desconexión automática.

La unidad está encendida. La función de desconexión automática se activa después de apagar la unidad.

→ Apague la unidad.

No es posible utilizar el mando a distancia de tarjeta.

Asegúrese de que ha extraído la película protectora (página 5).

DSO no funciona.

Según el interior del barco o el tipo de música, es posible que no se consiga el efecto deseado con DSO.

Reproducción CD/MD

No es posible introducir el disco.

- Ya hay un disco insertado.
- El disco se insertó a la fuerza al revés o en forma incorrecta.

No se inicia la reproducción.

- El disco es defectuoso o está sucio.
- Los discos CD-R/CD-RW no son para audio (página 17).
- La unidad no es compatible con el formato y la versión del disco (para obtener más información, consulte las páginas 4 y 17).

Los archivos MP3/WMA/AAC tardan más tiempo en reproducirse que los demás.

El inicio de la reproducción de los siguientes discos tarda algo más de tiempo.

- disco grabado con una estructura de árbol complicada.
- disco grabado en Multi Session.
- disco al que es posible añadir datos.

No es posible reproducir ATRAC CD.

- No se ha creado el disco con un software autorizado como, por ejemplo, SonicStage o SonicStage Simple Burner.
- Las pistas no incluidas en el grupo no se pueden reproducir.

Los elementos de la pantalla no se desplazan.

- En el caso de discos con muchos caracteres, es posible que éstos no se desplacen.
- "A.SCRL" está ajustado en "OFF".
→ Ajuste "A.SCRL-ON" (página 15) o pulse (SCRL).

Se producen saltos de sonido.

- La instalación no es correcta.
→ Instale la unidad en un ángulo inferior a 45° en una parte firme del barco.
- El disco es defectuoso o está sucio.

Los botones de operación no funcionan.

El disco no se expulsa.

Pulse el botón RESET (página 5).

continúa en la página siguiente →

Recepción de radio

No es posible recibir la emisoras.

Hay ruidos que obstaculizan el sonido.

- Conecte un cable de control de antena motorizada (azul) o un cable de fuente de alimentación auxiliar (rojo) al cable de fuente de alimentación del amplificador de antena del barco (sólo si el barco dispone de antena incorporada).
- Compruebe la conexión de la antena del barco.
- La antena automática no se extiende.
 - Compruebe la conexión del cable de control de la antena del barco.
- Revise la frecuencia.
- Cuando el modo DSO está activado, es posible que el sonido se vea interrumpido por ruido.
 - Ajuste el modo DSO a "OFF" (página 7).

No es posible utilizar la sintonización programada.

- Almacene la frecuencia correcta en la memoria.
- La señal de emisión es demasiado débil.

No es posible utilizar la sintonización automática.

- El ajuste del modo de búsqueda local no es correcto.
 - La sintonización se detiene con demasiada frecuencia:
 - Ajuste "LOCAL-ON" (página 15).
 - La sintonización no se detiene en una emisora:
 - Ajuste "MONO-ON" (página 15).
- La señal de emisión es demasiado débil.
 - Utilice la sintonización manual.

Durante la recepción de FM, la indicación "ST" parpadea.

- Sintonice la frecuencia con precisión.
- La señal de emisión es demasiado débil.
 - Ajuste "MONO-ON" (página 15).

Un programa de FM emitido en estéreo se escucha en monoaural.

La unidad se encuentra en el modo de recepción monoaural.

- Ajuste "MONO-OFF" (página 15).

RDS (CDX-HR905IP)

La búsqueda (SEEK) comienza después de unos segundos de escucha.

La emisora no es TP o tiene una señal débil.

- Desactive TA (página 11).

No hay información de tráfico.

- Active TA (página 11).
- La emisora no emite información de tráfico a pesar de ser TP.
 - Sintonice otra emisora.

PTY muestra "- - - - -"

- La emisora actual no es RDS.
- No se reciben datos RDS.
- La emisora no especifica el tipo de programa.

Mensajes/indicaciones de error

BLANK

No hay pistas grabadas en el MD.*¹

→ Reproduzca un MD que tenga pistas grabadas.

ERROR*²

- El disco está sucio o se insertó al revés.*¹
 - Límpielo o insértelo correctamente.
- Se insertó un disco vacío.
- El disco no se puede reproducir debido a un problema.
 - Inserte otro disco.

FAILURE

La conexión de los altavoces o de los amplificadores es incorrecta.

→ Consulte el manual de instalación de este modelo para revisar la conexión.

FAILURE (se ilumina durante un segundo aproximadamente.) (Solamente CDX-H905IP)

Con el sintonizador XM conectado, no se pudo almacenar una emisora de radio XM en una emisora preestablecida.

→ Asegúrese de que recibe el canal que desea almacenar y, a continuación, inténtelo de nuevo.

LOAD

El cambiador está cargando el disco.

→ Espere hasta que finalice.

L. SEEK +/-

El modo de búsqueda local está activado durante la sintonización automática.

NO AF (Solamente CDX-HR905IP)

No hay frecuencia alternativa para la emisora actual.

→ Pulse (SEEK) +/- mientras el nombre del servicio del programa parpadea. La unidad empieza a buscar otra frecuencia con los mismos datos PI (identificación de programa) y aparece "PI SEEK").

NO DISC

El disco no está insertado en el cambiador CD/MD.

→ Inserte los discos en el cambiador.

NO INFO

No se grabó información de texto en el archivo MP3/WMA/AAC o ATRAC CD.

NO IPOD

No hay ningún iPod conectado.

→ Conecte el iPod al conector de puertos.

Si aparece "NO IPOD" mientras conecta el iPod al conector de puertos, desconecte el iPod del conector de puertos y, a continuación, vuelva a conectarlo.

NO MAG

El cargador de discos no está insertado en el cambiador de CD.

→ Inserte el cargador en el cambiador.

NO MUSIC

El disco no contiene ningún archivo de música.
→ Inserte un CD de música en esta unidad o en un cambiador con capacidad para reproducir MP3.

NO NAME

No se ha grabado ningún nombre de disco/grupo/pista en la pista.

NO TP (Solamente CDX-HR905IP)

La unidad continúa buscando emisoras TP disponibles.

NOTREADY

La tapa del cambiador de MD está abierta o los MD no están insertados correctamente.
→ Cierre la tapa o inserte los MD correctamente.

OFFSET

Es posible que se haya producido un error interno.
→ Revise la conexión. Si el indicador de error permanece en pantalla, póngase en contacto con el distribuidor Sony más cercano.

READ

La unidad está leyendo toda la información de pistas y de álbumes del disco.
→ Espere hasta que finalice la lectura y se inicie la reproducción automáticamente. Es posible que tarde más de un minuto en función de la estructura del disco.

RESET

La unidad de CD y el cambiador de CD/MD no pueden utilizarse debido a algún problema.
→ Pulse el botón RESET (página 5).

“**⏮ ⏪ ⏩ ⏭**” o “**⏮ ⏪ ⏩ ⏭**”

Durante la operación de retraso o avance rápido, llegó al principio o al final del disco, por lo que no es posible continuar.

“**_**”

No se puede mostrar el carácter con la unidad.

*1 *La pantalla muestra el número del disco que causa el error.*

*2 *Si se produce un error durante la reproducción de un CD o MD, el número de disco del CD o del MD no aparece en pantalla.*

Si estas soluciones no ayudan a mejorar la situación, póngase en contacto con el distribuidor Sony más cercano.

Si entrega la unidad para su reparación a causa de problemas en la reproducción de CD, lleve el disco que se utilizó cuando se produjo el problema.

Wichtig!

Bitte nehmen Sie sich etwas Zeit, um den Geräte-Pass vollständig auszufüllen. Dieser befindet sich auf der hinteren Umschlagseite dieser Bedienungsanleitung.

Zur Installation und zum Anschluss siehe die mitgelieferte Installations-/Anschlussanleitung.

**CLASS 1
LASER PRODUCT**

Dieses Etikett befindet sich an der Unterseite des Gehäuses.

Der Hersteller dieses Produkts ist Sony Corporation, 1-7-1 Konan, Minato-ku, Tokio, 108-0075, Japan.

Autorisierter Vertreter für EMV und Produktsicherheit ist die Sony Deutschland GmbH, Hedelfinger Strasse 61, 70327 Stuttgart, Deutschland. Für Fragen im Zusammenhang mit Kundendienst oder Garantie wenden Sie sich bitte an die in den separaten Kundendienst- oder Garantieunterlagen genannten Adressen.



Entsorgung von gebrauchten elektrischen und elektronischen Geräten (anzuwenden in den Ländern der Europäischen Union und anderen europäischen Ländern mit einem separaten Sammelsystem für diese Geräte)

Das Symbol auf dem Produkt oder seiner Verpackung weist darauf hin, dass dieses Produkt nicht als normaler Haushaltsabfall zu behandeln ist, sondern an einer Annahmestelle für das Recycling von elektrischen und elektronischen Geräten abgegeben werden muss. Durch Ihren Beitrag zum korrekten Entsorgen dieses Produkts schützen Sie die Umwelt und die Gesundheit Ihrer Mitmenschen. Umwelt und Gesundheit werden durch falsches Entsorgen gefährdet. Materialrecycling hilft, den Verbrauch von Rohstoffen zu verringern. Weitere Informationen über das Recycling dieses Produkts erhalten Sie von Ihrer Gemeinde, den kommunalen Entsorgungsbetrieben oder dem Geschäft, in dem Sie das Produkt gekauft haben.

Geeignetes Zubehör: Fernbedienung



Entsorgung von gebrauchten Batterien und Akkumulatoren (anzuwenden in den Ländern der Europäischen Union und anderen europäischen Ländern mit einem separaten Sammelsystem für diese Produkte)

Das Symbol auf der Batterie/Akkumulator oder der Verpackung weist darauf hin, daß diese nicht als normaler Haushaltsabfall zu behandeln sind. Durch Ihren Beitrag zum korrekten Entsorgen dieser Batterien/Akkumulatoren schützen Sie die Umwelt und die Gesundheit Ihrer Mitmenschen. Umwelt und Gesundheit werden durch falsches Entsorgen gefährdet. Materialrecycling hilft, den Verbrauch von Rohstoffen zu verringern. Bei Produkten die auf Grund ihrer Sicherheit, der Funktionalität oder als Sicherung vor Datenverlust eine ständige Verbindung zur eingebauten Batterie bedürfen, sollte die Batterie nur durch qualifiziertes Servicepersonal ausgetauscht werden. Um sicherzustellen, daß die Batterie korrekt entsorgt wird, geben sie das Produkt zwecks Entsorgung an einer Annahmestelle für das Recycling von elektrischen und elektronischen Geräten ab. Für alle anderen Batterien entnehmen Sie bitte die Batterie entsprechend dem Kapitel über die sichere Entfernung der Batterie. Geben Sie die Batterie an einer Annahmestelle für das Recycling von Batterien/Akkumulatoren ab. Weitere Informationen über das Recycling dieses Produkts oder der Batterie erhalten Sie von Ihrer Gemeinde, den kommunalen Entsorgungsbetrieben oder dem Geschäft, in dem Sie das Produkt gekauft haben.

SonicStage und das entsprechende Logo sind Markenzeichen der Sony Corporation. „ATRAC“ und das entsprechende Logo sind Markenzeichen der Sony Corporation.



Microsoft, Windows Media und das Windows-Logo sind Markenzeichen oder eingetragene Markenzeichen der Microsoft Corporation in den USA und/oder anderen Ländern.

iPod ist ein in den USA und anderen Ländern eingetragenes Markenzeichen der Apple, Inc.

Warnhinweis, wenn die Zündung Ihres Boots nicht über eine Zubehörsposition (ACC oder I) verfügt

Aktivieren Sie unbedingt die Abschaltautomatik (Seite 15).

Nach dem Ausschalten wird das Gerät dann nach der voreingestellten Zeit automatisch vollständig abgeschaltet, so dass der Batterie kein Strom mehr entzogen wird.

Wenn Sie die Abschaltautomatik nicht aktivieren, müssen Sie jedes Mal, wenn Sie die Zündung ausschalten, die Taste **(OFF)** gedrückt halten, bis die Anzeige ausgeblendet wird.

Willkommen!	4
-----------------------	---

Vorbereitungen

Zurücksetzen des Geräts	5
Vorbereiten der Kartenfernbedienung	5
Einstellen der Uhr	5
Einlegen einer CD in das Gerät	5
Auswerfen der CD	5

Lage und Grundfunktionen der Teile und Bedienelemente

Hauptgerät	6
Kartenfernbedienung RM-X151	8

CD

Informationen im Display	9
Repeat und Shuffle Play	9

Radio

Speichern und Empfangen von Sendern	10
Automatisches Speichern von Sendern	
— BTM	10
Manuelles Speichern von Sendern	10
Einstellen gespeicherter Sender	10
Automatisches Einstellen von Sendern	10
RDS (CDX-HR905IP)	10
Übersicht	10
Einstellen von AF und TA	11
Auswählen des Programmtyps (PTY)	12
Einstellen der Uhrzeit (CT)	12

iPod

Wiedergabe mit einem iPod	12
Wiedergeben von Titeln	12
Informationen im Display	13
Einstellen des Wiedergabemodus	13
Auswählen von Album, Interpret oder	
Playlist	13
Repeat und Shuffle Play	13
Anspölen	13

Weitere Funktionen

Ändern der Klangeinstellungen	14
Einstellen der Klangeigenschaften	
— BAL/FAD/SUB	14
Individuelles Einstellen der Equalizer-Kurve	
— EQ3	14
Einstellen von Konfigurationsoptionen	
— SET	14
Verwenden gesondert erhältlicher Geräte	15
CD/MD-Wechsler	15
Bootstaugliche Fernbedienung	
RM-X55M/X11M	16
Zusätzliche Audiogeräte	16

Weitere Informationen



Sicherheitsmaßnahmen	17
Hinweise zu CDs	17
Wiedergabereihenfolge von	
MP3-/WMA-/AAC-Dateien	18
MP3-Dateien	18
WMA-Dateien	18
AAC-Dateien	18
ATRAC-CDs	18
Der iPod	19
Wartung	19
Technische Daten	20
Störungsbehebung	21
Fehleranzeigen/Meldungen	22

Willkommen!

Danke, dass Sie sich für diesen CD-Player von Sony entschieden haben. Mit diesem Gerät stehen Ihnen im Boot die folgenden Funktionen zur Verfügung.

• CD-Wiedergabe

Wiedergabe von CD-DAs (auch solche mit CD TEXT), CD-Rs/CD-RWs (MP3-/WMA-/AAC-Dateien (Seite 18)) sowie ATRAC-CDs (ATRAC3- und ATRAC3plus-Format (Seite 18)).

CD-Typ	Beschriftung auf der CD
CD-DA	
MP3 WMA AAC ATRAC-CD	

• Radioempfang

– Für jeden Frequenzbereich können Sie bis zu 6 Sender speichern.

CDX-H905IP:

FM1 (UKW1), FM2 (UKW2), FM3 (UKW3), AM1 und AM2

CDX-HR905IP:

FM1 (UKW1), FM2 (UKW2), FM3 (UKW3), MW und LW

– **BTM** (Speicherbelegungsautomatik): Das Gerät wählt die Sender mit den stärksten Signalen aus und speichert diese.

• RDS-Funktionen

– In Europa können Sie UKW-Sender mit RDS (Radiodatensystem) hören. (CDX-HR905IP)

• Klangeinstellungen

– **EQ3 stage2:** Sie können eine der 7 voreingestellten Equalizer-Kurven auswählen.

– **DSO** (Dynamische Klangraumverbesserung): Mithilfe virtueller Lautsprecher wird auch bei niedrig in der Tür montierten Lautsprechern eine bessere Raumklangwirkung erzeugt.

• Bedienung eines gesondert erhältlichen Geräts

Verschiedene Audiogeräte können an dieses Gerät angeschlossen werden.

– **iPod:** An das Dock-Anschlusskabel an der Rückseite des Geräts kann ein iPod angeschlossen werden.

– **Tragbares Audiogerät:** An die Buchse AUX IN an der Rückseite des Geräts können Sie ein tragbares Audiogerät anschließen (analoge Verbindung).

– **CD/MD-Wechsler:** CD/MD-Wechsler können an den Sony BUS an der Rückseite des Geräts angeschlossen werden.

Hinweis zur Wasserfestigkeit

Dieses Gerät ist für den Betrieb auf See geeignet. Um den Schutz vor Gischt, Wellen, Regen, Feuchtigkeit, ultravioletten Strahlen usw. zu prüfen und die Zuverlässigkeit und Funktionsfähigkeit des Geräts gewährleisten zu können, wurde es folgenden Tests unterzogen (nur Frontplatte):

- Wasserfeste Frontplatte - IPx5-zertifiziert
- Salzsprühnebelgeprüft – getestet nach ASTM B117
- Entsprechend beschichtete Platine
- UV-beständig - getestet nach ASTM G154

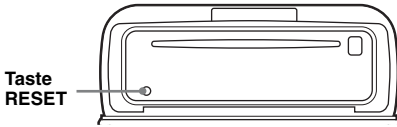
Hinweise

- Achten Sie darauf, die Frontplatte außer zum Einlegen oder Auswerfen einer CD geschlossen zu halten, damit die Wasserfestigkeit gewahrt bleibt.
- Schützen Sie alle Geräteteile hinter der Frontplatte vor Wasser.
- Verwenden Sie dieses Gerät nicht an folgenden Orten:
 - Orte, an denen das Gerät hohem Wasserdruck ausgesetzt ist, in der Nähe heißer Quellen, Badewannen usw.
 - unter Wasser.

Vorbereitungen

Zurücksetzen des Geräts

Bevor Sie das Gerät zum ersten Mal benutzen oder wenn Sie die Bootsbatterie ausgetauscht oder die Verbindungen gewechselt haben, müssen Sie das Gerät zurücksetzen. Öffnen Sie die Frontplatte und drücken Sie die Taste RESET mit einem spitzen Gegenstand, wie z. B. einem Kugelschreiber.

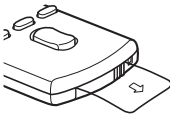


Hinweis

Wenn Sie die Taste RESET drücken, werden die eingestellte Uhrzeit und einige weitere gespeicherte Einstellungen gelöscht.

Vorbereiten der Kartenfernbedienung

Bevor Sie die Kartenfernbedienung zum ersten Mal verwenden, müssen Sie die Isolierfolie herausziehen.



Tipp

Informationen zum Austauschen der Batterie finden Sie unter „Austauschen der Lithiumbatterie der Kartenfernbedienung“ auf Seite 19.

Einstellen der Uhr

CDX-H905IP:

12-Stunden-Format

CDX-HR905IP:

24-Stunden-Format

- 1 Halten Sie **(SELECT)** gedrückt.
Die Einstellanzeige erscheint.
- 2 Drücken Sie **(SELECT)** so oft, bis „CLOCK-ADJ“ angezeigt wird.
- 3 Drücken Sie **(SEEK) +**.
Die Stundenanzeige blinkt.

- 4 Drehen Sie den Lautstärkeregler, um die Stunden und Minuten einzustellen.

Drücken Sie **(DSPL)**, um zur jeweils nächsten Ziffer in der Digitalanzeige zu wechseln.

- 5 Drücken Sie **(SELECT)**.

Der Einstellvorgang ist damit abgeschlossen und die Uhr beginnt zu laufen.

Zum Einblenden der Uhrzeit drücken Sie

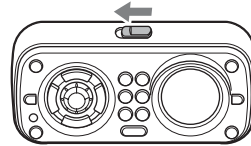
(DSPL). Drücken Sie **(DSPL)** erneut, um zur vorherigen Anzeige zurückzuschalten.

Tipp

Mithilfe der RDS-Funktion können Sie die Uhr auch automatisch einstellen lassen (Seite 12). (nur CDX-HR905IP)

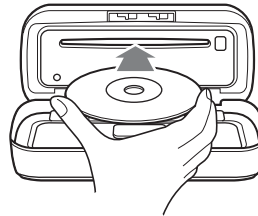
Einlegen einer CD in das Gerät

- 1 Schieben Sie den Schalter OPEN in Pfeilrichtung.



- 2 Öffnen Sie die Frontplatte.

- 3 Legen Sie eine CD ein (mit der beschrifteten Seite nach oben).



- 4 Schließen Sie die Frontplatte.

Die Wiedergabe beginnt automatisch.

Hinweise

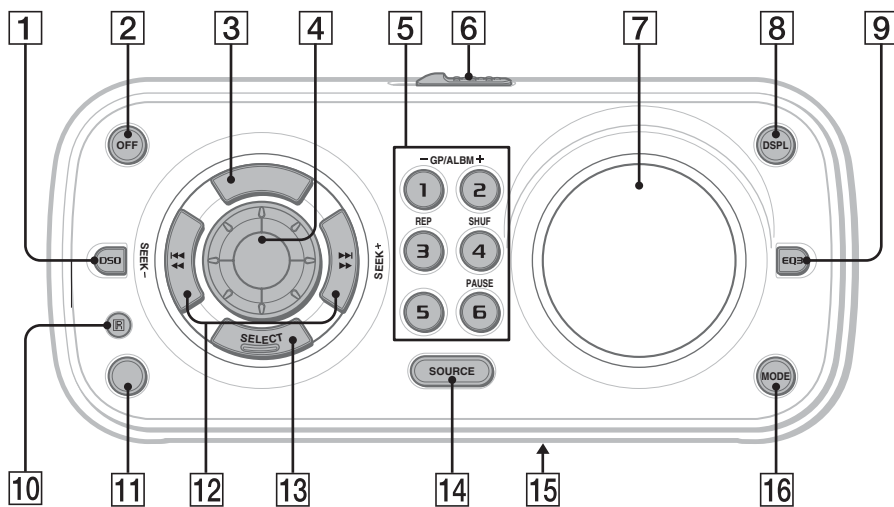
- Legen Sie auf der Innenseite der Frontplatte nichts ab.
- Schließen Sie unbedingt die Frontplatte während des Betriebs.

Auswerfen der CD

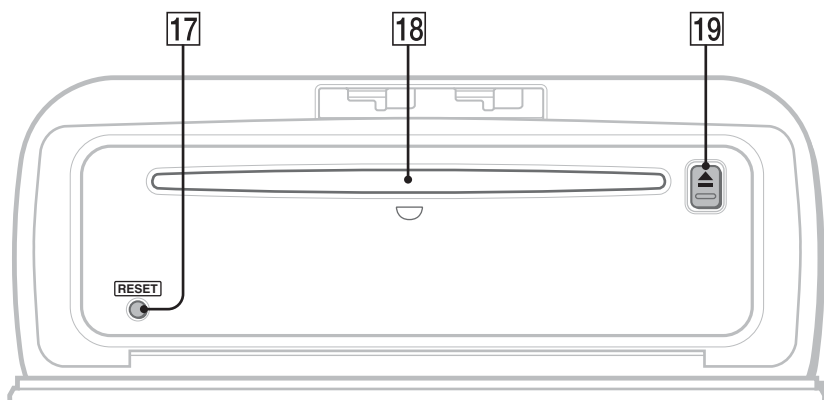
- 1 Verschieben Sie den Schalter OPEN und öffnen Sie die Frontplatte.
- 2 Drücken Sie **▲**.
Die CD wird ausgeworfen.
- 3 Schließen Sie die Frontplatte.

Lage und Grundfunktionen der Teile und Bedienelemente

Hauptgerät



Geöffnete Frontplatte



In diesem Abschnitt werden Lage und Grundfunktionen der Teile und Bedienelemente beschrieben. Nähere Erläuterungen finden Sie auf den jeweiligen Seiten.

Informationen zum Bedienen eines iPod finden Sie unter „iPod“ auf Seite 12, Informationen zum Bedienen gesondert erhältlicher Geräte (CD/MD-Wechsler usw.) finden Sie unter „Verwenden gesondert erhältlicher Geräte“ auf Seite 15.

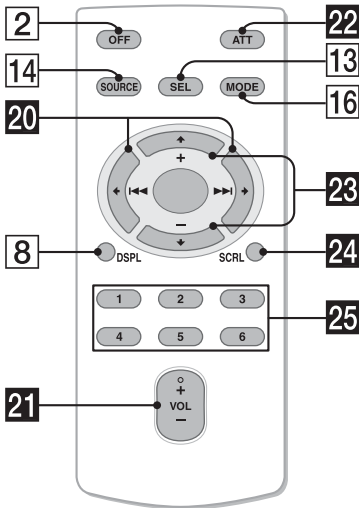
Die entsprechenden Tasten auf der Kartenfernbedienung haben dieselbe Funktion wie die Tasten am Gerät.

- 1 Taste DSO** Seite 4
Auswählen des DSO-Modus (1, 2, 3 oder OFF). Je höher die Zahl, desto stärker ist die Wirkung.
- 2 Taste OFF**
Ausschalten bzw. Stoppen der Tonquelle.
- 3 Taste SCRL (Bildlauf) (CDX-H905IP)**
Hiermit lassen Sie die Informationen im Display durchlaufen.
Taste AF (Alternativfrequenzen)/TA (Verkehrsdurchsagen) (CDX-HR905IP)
Seite 11
Einstellen von AF und TA bei einem RDS-Sender.
- 4 Lautstärkeregler** Seite 14
Einstellen der Lautstärke.
- 5 Zahlentasten (Stationstasten)**
CD/PD:
①/②: **GP/ALBM** -/+
Überspringen von Alben (drücken) bzw. Überspringen mehrerer Alben hintereinander (gedrückt halten).
③: **REP** Seite 9
④: **SHUF** Seite 9
⑥: **PAUSE**
Anhalten der CD-Wiedergabe an diesem Gerät. Zum Beenden der Funktion drücken Sie die Taste erneut.
Radio:
Einstellen gespeicherter Sender (drücken) bzw. Speichern von Sendern (gedrückt halten).
- 6 Schalter OPEN** Seite 5
- 7 Display**
- 8 Taste DSPL (Anzeige)** Seite 9, 10
Wechseln der Informationen im Display.

- 9 Taste EQ3 (Equalizer)** Seite 14
Auswählen eines Equalizer-Typs (XPLOD, VOCAL, EDGE, CRUISE, SPACE, GRAVITY, CUSTOM oder OFF).
- 10 Empfänger für die Kartenfernbedienung**
- 11 Taste BTM/CAT (CDX-H905IP)**
Seite 10
Starten der BTM-Funktion (gedrückt halten).
Taste PTY (Programmtypauswahl) (CDX-HR905IP) Seite 12
Auswählen von PTY bei einem RDS-Sender.
- 12 Tasten SEEK -/+**
CD/PD:
Überspringen von Titeln (drücken), Überspringen mehrerer Titel hintereinander (drücken, dann innerhalb von 1 Sekunde erneut drücken und gedrückt halten) bzw. Rückwärts-/Vorwärtssuchen in einem Titel (gedrückt halten).
Radio:
Automatisches Einstellen von Sendern (drücken) bzw. manuelle Sendersuche (gedrückt halten).
- 13 Taste SELECT**
Auswählen von Einstelloptionen.
- 14 Taste SOURCE**
Einschalten bzw. Wechseln der Tonquelle (Radio/CD/AUX/PD)*.
- 15 Frequenzwählschalter (CDX-H905IP)**
(an der Geräteunterseite)
Näheres dazu finden Sie unter „Frequenzwählschalter“ in der mitgelieferten Installations-/Anschlussanleitung.
- 16 Taste MODE** Seite 10
Auswählen des Radiofrequenzbereichs* bzw. Auswählen des Wiedergabemodus des iPod.
- 17 Taste RESET** Seite 5
- 18 CD-Einschub** Seite 5
Einlegen der CD.
- 19 Taste ▲ (Auswerfen)** Seite 5
Auswerfen der CD.

Fortsetzung auf der nächsten Seite →

Kartenfernbedienung RM-X151



* Falls ein CD/MD-Wechsler, HD-Radiotuner oder SAT-Tuner angeschlossen ist. Wenn **(SOURCE)** gedrückt wird, erscheint je nachdem, welches Gerät angeschlossen ist, das angeschlossene Gerät („MD“, „HD“, „XM“ oder „SR“) im Display. Außerdem können Sie durch Drücken von **(MODE)** den Wechsler, den Frequenzbereich am HD-Radiotuner oder den Frequenzbereich am SAT-Tuner wechseln. (Ein HD-Radiotuner oder SAT-Tuner kann nur an den CDX-H9051P angeschlossen werden.)

Hinweis

Wenn Sie das Gerät ausschalten und die Anzeige ausgeblendet ist, können Sie es nicht mit der Kartenfernbedienung bedienen. Drücken Sie zunächst **(SOURCE)** am Gerät oder legen Sie eine CD ein, um das Gerät zu aktivieren.

Die folgenden Tasten auf der Kartenfernbedienung unterscheiden sich außerdem hinsichtlich ihres Namens bzw. ihrer Funktion von denen am Gerät. Ziehen Sie vor dem Gebrauch die Isolierfolie heraus (Seite 5).

20 Tasten **◀ (I◀◀)/▶▶ (▶▶▶)**

Beim Steuern von CD-, Radio- und PD-Funktionen entsprechen diese Tasten den Tasten **(SEEK) -/+** am Gerät. Konfiguration, Klangeinstellung usw. können Sie mit **◀ ▶** vornehmen.

21 Taste **VOL (Lautstärke) +/-**

Einstellen der Lautstärke.

22 Taste **ATT (Dämpfen des Tons)**

Dämpfen des Tons. Zum Beenden der Funktion drücken Sie die Taste erneut.

23 Tasten **↑ (+)/↓ (-)**

Beim Steuern von CD- und PD-Funktionen entsprechen diese Tasten den Tasten **(GP/ALBM) -/+** am Gerät. Konfiguration, Klangeinstellung usw. können Sie mit **↑ ↓** vornehmen.

24 Taste **SCRL (Bildlauf)**

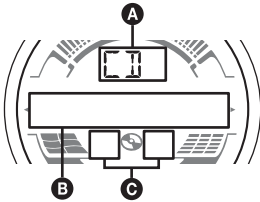
Hiermit lassen Sie die Informationen im Display durchlaufen.

25 Zahlentasten (Stationstasten)

Einstellen gespeicherter Sender (drücken) bzw. Speichern von Sendern (gedrückt halten).

Einzelheiten zum Auswählen eines CD/MD-Wechslers finden Sie auf Seite 15.

Informationen im Display



- A** Tonquelle
- B** Titelnnummer/Verstrichene Spieldauer, CD-/Interpretenname, Album-/Gruppennummer*, Album-/Gruppenname, Titelname, Textinformationen, Uhrzeit
- C** ATRAC-/WMA-/MP3-/AAC-Anzeige

* Die Album-/Gruppennummer wird nur beim Wechseln des Albums bzw. der Gruppe angezeigt.

Zum Wechseln der angezeigten Informationen

B drücken Sie **(DSPL)**.

Tip

Je nach CD-Typ, Aufnahmeformat und Einstellungen werden unterschiedliche Informationen angezeigt. Erläuterungen zu MP3/WMA/AAC finden Sie auf Seite 18, Erläuterungen zu ATRAC-CDs finden Sie auf Seite 18.

Repeat und Shuffle Play

1 Drücken Sie während der Wiedergabe **(3) (REP) oder **(4)** (SHUF) so oft, bis die gewünschte Einstellung im Display erscheint.**

Einstellung	Funktion
(3) TRACK	Wiederholtes Wiedergeben eines Titels.
(3) ALBUM*1	Wiederholtes Wiedergeben eines Albums.
(3) GROUP*2	Wiederholtes Wiedergeben einer Gruppe.
SHUF ALBUM*1	Wiedergeben eines Albums in willkürlicher Reihenfolge.
SHUF GROUP*2	Wiedergeben einer Gruppe in willkürlicher Reihenfolge.
SHUF DISC	Wiedergeben einer CD in willkürlicher Reihenfolge.

*1 Bei Wiedergabe einer MP3-/WMA-/AAC-Datei.

*2 Bei Wiedergabe einer ATRAC-CD.

Wenn Sie wieder in den normalen Wiedergabemodus wechseln möchten, wählen Sie **(3) OFF** bzw. **(4) SHUF OFF**.

Radio

Speichern und Empfangen von Sendern

Achtung

Wenn Sie während der Fahrt Sender einstellen, sollten Sie die BTM-Funktion (Speicherbelegungsautomatik) verwenden. Andernfalls besteht Unfallgefahr.

Automatisches Speichern von Sendern — BTM

- 1 Drücken Sie **(SOURCE)** so oft, bis „TUNER“ erscheint.
Zum Wechseln des Frequenzbereichs drücken Sie mehrmals **(MODE)**.
- 2 Halten Sie **(SELECT)** gedrückt.
Die Einstellanzeige erscheint.
- 3 Drücken Sie **(SELECT)** so oft, bis „BTM“ angezeigt wird.
- 4 Drücken Sie **(SEEK) +**.
Das Gerät speichert die Sender in der Reihenfolge der Frequenzen auf den Zahlentasten (Stationstasten).
Ein Signalton ist zu hören und die Einstellung wird gespeichert.

Speichern mit der Taste BTM

(nur CDX-H905IP)

Halten Sie **(BTM)** gedrückt, bis „BTM“ blinkt, anstatt Schritt 2 bis 4 auszuführen.

Manuelles Speichern von Sendern

- 1 Während des Empfangs des zu speichernden Senders halten Sie eine Stationstaste (**(1)** bis **(6)**) so lange gedrückt, bis „MEM“ angezeigt wird.
Die Stationstastenanzeige erscheint im Display.

Hinweis

Wenn Sie auf der gleichen Stationstaste einen anderen Sender speichern, wird der zuvor gespeicherte Sender ersetzt.

Tipps

Wenn ein RDS-Sender gespeichert wird, wird auch die AF/TA-Einstellung gespeichert (Seite 11).
(nur CDX-HR905IP)

Einstellen gespeicherter Sender

- 1 Wählen Sie den Frequenzbereich aus und drücken Sie eine Stationstaste (**(1)** bis **(6)**).

Automatisches Einstellen von Sendern

- 1 Wählen Sie den Frequenzbereich aus und starten Sie mit **(SEEK) -/+** die Suche nach dem Sender.

Der Suchlauf stoppt, wenn ein Sender empfangen wird. Wiederholen Sie diesen Vorgang, bis das Gerät den gewünschten Sender empfängt.

Tipps

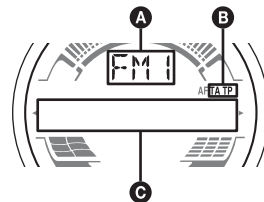
Wenn Sie die Frequenz des gewünschten Senders kennen, halten Sie **(SEEK) -/+** gedrückt, bis die Frequenz in etwa erreicht ist, und drücken Sie **(SEEK) -/+** dann so oft, bis die gewünschte Frequenz genau eingestellt ist (manuelle Sendersuche).

RDS (CDX-HR905IP)

Übersicht

UKW-Sender, die RDS (Radiodatenystem) unterstützen, strahlen zusammen mit den normalen Radioprogrammsignalen nicht hörbare, digitale Informationen aus.

Informationen im Display



- A Radiofrequenzbereich, Funktion
- B TA/TP*1
- C Frequenz*2 (Programmdienstname),
Speichernummer, Uhrzeit, RDS-Daten

*1 „TA“ blinkt während einer Verkehrsdurchsage. „TP“ leuchtet, wenn ein Sender mit Verkehrsdurchsagen empfangen wird.

2 Beim Empfang eines RDS-Senders wird „“ links neben der Frequenz angezeigt.

Zum Wechseln der angezeigten Informationen

- C drücken Sie **(DSPL)**.

RDS-Funktionen

Mit diesem Gerät stehen folgende RDS-Funktionen automatisch zur Verfügung:

AF (Alternativfrequenzen)

In einem Netzwerk wird der Sender mit den stärksten Signalen ausgewählt und neu eingestellt. So können Sie auch bei einer langen Fahrt über eine große Entfernung hinweg ununterbrochen denselben Sender empfangen, ohne ihn manuell neu einstellen zu müssen.

TA (Verkehrsdurchsagen)/

TP (Verkehrsfunksender)

Aktuelle Verkehrsinformationen bzw. Verkehrsfunksender werden empfangen. Wenn solche Informationen bzw. Sendungen empfangen werden, wird die gerade ausgewählte Tonquelle unterbrochen.

PTY (Programmtypauswahl)

Der gerade empfangene Programmtyp wird angezeigt. Außerdem kann nach dem ausgewählten Programmtyp gesucht werden.

CT (Uhrzeit)

Mit den CT-Daten (Uhrzeitdaten), die von RDS-Sendern ausgestrahlt werden, lässt sich die Uhr einstellen.

Hinweise

- Je nach Land bzw. Region stehen möglicherweise nicht alle RDS-Funktionen zur Verfügung.
- Die RDS-Funktion arbeitet möglicherweise nicht, wenn die Sendesignale zu schwach sind oder wenn der eingestellte Sender keine RDS-Daten ausstrahlt.

Einstellen von AF und TA

- 1 Drücken Sie **(AF/TA)** so oft, bis die gewünschte Einstellung angezeigt wird.

Einstellung	Funktion
AF-ON	AF wird aktiviert und TA wird deaktiviert.
TA-ON	TA wird aktiviert und AF wird deaktiviert.
AF, TA-ON	AF und TA werden aktiviert.
AF, TA-OFF	AF und TA werden deaktiviert.

Speichern von RDS-Sendern zusammen mit der AF- und TA-Einstellung

Sie können zusammen mit den RDS-Sendern die AF/TA-Einstellung speichern. Mit der BTM-Funktion werden nur RDS-Sender mit derselben AF/TA-Einstellung gespeichert. Beim manuellen Speichern von Sendern können Sie RDS- und Nicht-RDS-Sender mit unterschiedlicher AF/TA-Einstellung speichern.

- 1 Stellen Sie AF/TA ein und speichern Sie die Sender dann mit BTM oder manuell ab.

Empfangen von Katastrophenwarnungen

Wenn AF oder TA aktiviert ist, unterbrechen Katastrophenwarnungen automatisch die ausgewählte Tonquelle.

Tipp

Wenn Sie die Lautstärke während einer Verkehrsdurchsage einstellen, wird der eingestellte Pegel für spätere Verkehrsdurchsagen gespeichert, und zwar unabhängig von der sonst eingestellten Lautstärke.

Unveränderter Empfang eines Regionalsenders — REG

Wenn die AF-Funktion aktiviert ist: Der Empfang dieses Geräts wird werkseitig auf eine bestimmte Region beschränkt, so dass nicht zu einem anderen Regionalsender mit einer stärkeren Frequenz gewechselt wird.

Wenn Sie den Empfangsbereich des betreffenden Regionalsenders verlassen, stellen Sie während des Empfangs eines UKW-Senders bei der Konfiguration „REG-OFF“ ein (Seite 15).

Hinweis

Diese Funktion steht in Großbritannien und in einigen anderen Regionen nicht zur Verfügung.

Lokalsenderfunktion (nur Großbritannien)

Mithilfe dieser Funktion können Sie andere Lokalsender auswählen, auch wenn diese zuvor nicht unter einer Stationstaste gespeichert wurden.

- 1 Drücken Sie während des UKW-Empfangs eine Stationstaste (**1** bis **6**), unter der ein Lokalsender gespeichert ist.
- 2 Drücken Sie innerhalb von 5 Sekunden erneut die Stationstaste des Lokalsenders. Wiederholen Sie diesen Vorgang, bis das Gerät den Lokalsender empfängt.

Auswählen des Programmtyps (PTY)

1 Drücken Sie während des UKW-Empfangs (PTY).



Der Name des aktuellen Programmtyps erscheint, wenn der Sender PTY-Daten ausstrahlt.

2 Drücken Sie (PTY) so oft, bis der gewünschte Programmtyp angezeigt wird.

3 Drücken Sie (SEEK) -/+.

Das Gerät beginnt, nach einem Sender zu suchen, der den ausgewählten Programmtyp ausstrahlt.

Programmtypen

NEWS (Nachrichten), **AFFAIRS** (Aktuelles Zeitgeschehen), **INFO** (Informationen), **SPORT** (Sport), **EDUCATE** (Erziehung und Bildung), **DRAMA** (Hörspiele), **CULTURE** (Kultur), **SCIENCE** (Wissenschaft), **VARIED** (Verschiedenes), **POP M** (Pop-Musik), **ROCK M** (Rock-Musik), **EASY M** (Unterhaltungsmusik), **LIGHT M** (Leichte Klassik), **CLASSICS** (Klassik), **OTHER M** (Sonstige Musik), **WEATHER** (Wetter), **FINANCE** (Finanzberichte), **CHILDREN** (Kinderprogramme), **SOCIAL A** (Magazinsendungen), **RELIGION** (Religion), **PHONE IN** (Hörertelefon), **TRAVEL** (Reiseinformationen), **LEISURE** (Freizeitprogramm), **JAZZ** (Jazz), **COUNTRY** (Country-Musik), **NATION M** (Volksmusik), **OLDIES** (Oldies), **FOLK M** (Folk-Musik), **DOCUMENT** (Dokumentarbeiträge)

Hinweis

Sie können diese Funktion in Ländern/Regionen, in denen keine PTY-Daten zur Verfügung stehen, nicht verwenden.

Einstellen der Uhrzeit (CT)

1 Stellen Sie bei der Konfiguration „CT-ON“ ein (Seite 14).

Hinweise

- Die CT-Funktion steht möglicherweise nicht zur Verfügung, auch wenn ein RDS-Sender empfangen wird.
- Die mit der CT-Funktion eingestellte Uhrzeit ist nicht immer korrekt.

iPod

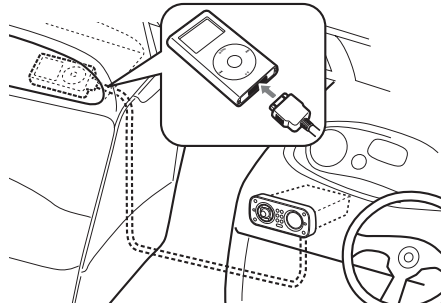
Wiedergabe mit einem iPod

Wenn Sie einen iPod an den Dock-Anschluss an der Rückseite des Geräts anschließen, können Sie den Ton über die Lautsprecher des Boots wiedergeben lassen und den iPod über dieses Gerät steuern.

Hinweise

- Solange der iPod an den Dock-Anschluss angeschlossen ist, können Sie den iPod selbst nicht bedienen.
- Drehen Sie die Lautstärke an diesem Gerät herunter, bevor Sie den iPod an den Dock-Anschluss anschließen.
- Wenn der Dock-Anschluss nicht verwendet wird, bringen Sie die mitgelieferte Kappe für den Dock-Anschluss an, damit kein Wasser eindringen kann.

Wiedergeben von Titeln



1 Schließen Sie den iPod an den Dock-Anschluss an.

Der iPod schaltet sich automatisch ein und im iPod-Display erscheint die unten abgebildete Anzeige.



2 Drücken Sie (SOURCE) so oft, bis „PD“ angezeigt wird.

„PD 1 PORTABLE“ erscheint und die Titel auf dem iPod werden automatisch ab der zuletzt wiedergegebenen Stelle wiedergegeben.

3 Drücken Sie (MODE), um den Wiedergabemodus auszuwählen.

Der Modus wechselt folgendermaßen:
RESUMING → **ALBUM** → **ARTIST** → **PLAYLIST**

4 Stellen Sie die Lautstärke ein.

Drücken Sie zum Stoppen der Wiedergabe

(OFF).

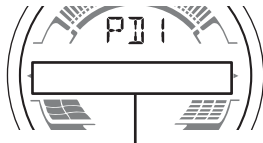
Tipps

- Wenn der iPod an den Dock-Anschluss angeschlossen wird, wird automatisch der Modus „Resuming“ eingestellt. Im Resuming-Modus funktionieren die Tasten (3) (Wiederholen), (4) (Zufall) und (5) (Anspielen) nicht. Wenn Sie den Resuming-Modus mit (MODE) oder (1)/(2) (GP/ALBM -/+) beenden, können Sie den Wiedergabemodus wieder mit den Tasten (3) (Wiederholen), (4) (Zufall) oder (5) (Anspielen) wechseln.
- Sofern der Zündschlüssel in der Position ACC oder I steht oder das Gerät eingeschaltet ist, wird der iPod geladen.
- Die Wiedergabe wird unterbrochen, wenn der iPod während der Wiedergabe getrennt wird.

Hinweis

Sie können über den XA-110IP oder XA-120IP keinen weiteren iPod anschließen.

Informationen im Display



Titel-/Album-/Interpretname, Titelnummer, Verstrichene Spieldauer, Uhrzeit

Zum Wechseln der angezeigten Informationen drücken Sie (DSPL).

Hinweis

Manche auf dem iPod gespeicherte Zeichen werden möglicherweise nicht richtig angezeigt.

Einstellen des Wiedergabemodus

Auswählen von Album, Interpret oder Playlist

1 Drücken Sie während der Wiedergabe (MODE).

Der Modus wechselt folgendermaßen:
ALBUM → ARTIST → PLAYLIST

Überspringen von Alben, Interpreten und Playlists

Funktion	Taste
Überspringen	(1)/(2) (GP/ALBM -/+) [pro Element einmal drücken]

Überspringen	(1)/(2) (GP/ALBM -/+)
mehrerer Elemente	[bis zur gewünschten Stelle gedrückt halten]
hintereinander	

Repeat und Shuffle Play

1 Drücken Sie während der Wiedergabe (3) (REP) oder (4) (SHUF) so oft, bis die gewünschte Einstellung im Display erscheint.

Einstellung	Funktion
REP TRK	Wiederholtes Wiedergeben eines Titels.
REP ALB	Wiederholtes Wiedergeben eines Albums.
REP ART	Wiederholtes Wiedergeben der Titel eines Interpreten.
REP PLY	Wiederholtes Wiedergeben einer Playlist.
SHUF ALB	Wiedergeben eines Albums in willkürlicher Reihenfolge.
SHUF ART	Wiedergeben der Titel eines Interpreten in willkürlicher Reihenfolge.
SHUF PLY	Wiedergeben einer Playlist in willkürlicher Reihenfolge.
SHUF ALL	Wiedergeben aller Titel in willkürlicher Reihenfolge.

Wenn Sie wieder in den normalen Wiedergabemodus wechseln möchten, wählen Sie „REP OFF“ bzw. „SHUF OFF“.

Hinweis

(1)/(2) (GP/ALBM -/+) funktionieren bei der Wiedergabe in willkürlicher Reihenfolge nicht.

Anspolen

Sie können eine bestimmte Stelle auf dem iPod schnell ansteuern.

1 Drücken Sie während der Wiedergabe (5) so oft, bis „SCAN ON“ erscheint.

Die ersten 10 Sekunden der einzelnen Titel werden angespielt.

Wenn Sie wieder in den normalen Wiedergabemodus wechseln möchten, wählen Sie „SCAN OFF“.

Hinweis

Diese Funktion steht bei der Wiedergabe in willkürlicher Reihenfolge nicht zur Verfügung.

Weitere Funktionen

Ändern der Klangeinstellungen

Einstellen der Klangeigenschaften — BAL/FAD/SUB

Sie können die Balance, den Fader und die Lautstärke des Tiefsttonlautsprechers einstellen.

- 1 Drücken Sie **(SELECT)** so oft, bis „BAL“, „FAD“ oder „SUB“ angezeigt wird.

Die Anzeige wechselt folgendermaßen:

LOW*1 → **MID***1 → **HI***1 →
BAL (links-rechts) → **FAD** (vorne-hinten)
→ **SUB** (Lautstärke des
Tiefsttonlautsprechers)*2 → **AUX***3

*1 Wenn EQ3 eingeschaltet ist (Seite 14).

*2 Wenn als Audioausgang „SUB“ eingestellt ist (Seite 15).

„ATT“ wird bei der niedrigsten Einstellung angezeigt. Die Lautstärke lässt sich in 21 Stufen einstellen.

*3 Wenn die AUX-Tonquelle aktiviert ist (Seite 16).

- 2 Stellen Sie durch Drehen des Lautstärkereglers die ausgewählte Option ein.

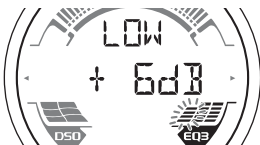
Nach 3 Sekunden ist die Einstellung abgeschlossen und im Display erscheint wieder die Anzeige für den normalen Wiedergabemodus bzw. Empfangsmodus.

Individuelles Einstellen der Equalizer-Kurve — EQ3

Mit „CUSTOM“ unter EQ3 können Sie Ihre individuellen Equalizer-Einstellungen vornehmen.

- 1 Wählen Sie eine Tonquelle aus und drücken Sie mehrfach **(EQ3)**, um „CUSTOM“ auszuwählen.
- 2 Drücken Sie **(SELECT)** so oft, bis „LOW“, „MID“ oder „HI“ angezeigt wird.
- 3 Stellen Sie durch Drehen des Lautstärkereglers die ausgewählte Option ein.

Die Lautstärke lässt sich in Schritten von 1 dB auf einen Wert zwischen -10 dB und +10 dB einstellen.



Gehen Sie wie in Schritt 2 und 3 vor, wenn Sie weitere Frequenzbereiche der Equalizer-Kurve einstellen wollen.

Wenn Sie die werkseitig eingestellte Equalizer-Kurve wiederherstellen wollen, halten Sie **(SELECT)** gedrückt, bevor die Einstellung abgeschlossen ist.

Nach 3 Sekunden ist die Einstellung abgeschlossen und im Display erscheint wieder die Anzeige für den normalen Wiedergabemodus bzw. Empfangsmodus.

Tip

Andere Equalizer-Typen lassen sich ebenfalls einstellen.

Einstellen von Konfigurationsoptionen — SET

- 1 Halten Sie **(SELECT)** gedrückt. Die Einstellanzeige erscheint.
- 2 Drücken Sie **(SELECT)** so oft, bis die gewünschte Option angezeigt wird.
- 3 Wählen Sie durch Drehen des Lautstärkereglers die Einstellung aus (beispielsweise „ON“ oder „OFF“).
- 4 Halten Sie **(SELECT)** gedrückt. Die Einstellung ist damit abgeschlossen und im Display erscheint wieder die Anzeige für den normalen Wiedergabemodus bzw. Empfangsmodus.

Hinweis

Die angezeigten Optionen unterscheiden sich je nach Tonquelle und Einstellung.

Folgende Optionen können eingestellt werden (Einzelheiten finden Sie jeweils auf den angegebenen Seiten):
„●“ gibt die Standardeinstellung an.

CLOCK-ADJ (Uhr einstellen) (Seite 5)

CT*1 (Uhrzeit)

Zum Einstellen von „CT-ON“ oder „CT-OFF“ (●) (Seite 11, 12).

BEEP (Signalton)

Zum Einstellen von „BEEP-ON“ (●) oder „BEEP-OFF“.

AUX-A*2 (AUX-Audio)

Zum Einstellen der AUX-Tonquellenanzeige auf „AUX-A-ON“ (●) oder „AUX-A-OFF“ (Seite 16).

A.OFF (Abschaltautomatik)

Das Gerät kann nach dem Ausschalten nach einer voreingestellten Zeit automatisch vollständig abgeschaltet werden:

„A.OFF-NO“ (●), „A.OFF-30S (Seconds)“, „A.OFF-30M (Minutes)“ oder „A.OFF-60M (Minutes)“.

REAR/SUB*2

Zum Wechseln des Audioausgangs.

- „REAR-OUT“ (●): Ausgabe an einen Endverstärker.
 - „SUB-OUT“: Ausgabe an einen Tiefsttonlautsprecher.
-

DEMO (Demo-Modus)

Zum Einstellen von „DEMO-ON“ (●) oder „DEMO-OFF“.

DIM (Dimmer)

Zum Wechseln der Helligkeit im Display.

- „DIM-AT“ (●): Das Display wird dunkler, wenn Sie die Beleuchtung einschalten.
 - „DIM-OFF“: Der Dimmer wird deaktiviert.
 - „DIM-ON“: Das Display wird dunkler.
-

CONTRAST

Zum Einstellen des Kontrasts im Display. Der Kontrast lässt sich in 7 Stufen einstellen.

ILM (Beleuchtung)

Zum Wechseln der Farbe der Beleuchtung: „ILM-1“ (●) oder „ILM-2“.

M.DSPL (Bewegte Anzeige)

Zum Auswählen des Modus der bewegten Anzeige.

- „M.DSPL-LM“ (●): Bewegte Muster und eine Pegelanzeige werden angezeigt.
 - „M.DSPL-OFF“: Die bewegte Anzeige wird deaktiviert.
 - „M.DSPL-ON“: Bewegte Muster werden angezeigt.
-

A.SCRL (Automatischer Bildlauf)

Zum Einstellen des automatischen Bildlaufs für lange Informationen beim Wechseln der CD, des Albums, der Gruppe oder des Titels.

- „A.SCRL-ON“ (●): Die Informationen laufen im Display durch.
 - „A.SCRL-OFF“: Die Informationen laufen im Display nicht durch.
-

LOCAL (Lokaler Suchmodus)

– „LOCAL-OFF“ (●): Normaler Empfang beim Einstellen von Sendern.

- „LOCAL-ON“: Nur Sender mit starken Signalen werden eingestellt.
-

MONO*3 (Monauraler Modus)

Zum Verbessern des UKW-Empfangs wählen Sie den monauralen Empfangsmodus.

- „MONO-OFF“ (●): Stereosendungen werden stereo ausgegeben.
 - „MONO-ON“: Stereosendungen werden monaural ausgegeben.
-

REG*1*3 (Regional)

Zum Einstellen von „REG-ON“ (●) oder „REG-OFF“ (Seite 11).

LPF*4 (Niedrigpassfilter)

Zum Auswählen der Grenzfrequenz des Tiefsttonlautsprechers: „LPF OFF“ (●), „LPF 125Hz“ oder „LPF 78Hz“.

LOUD (Loudness)

Ermöglicht auch bei niedriger Lautstärke einen klaren Klang.

- „LOUD-ON“: Bässe und Höhen werden angehoben.
 - „LOUD-OFF“ (●): Bässe und Höhen werden nicht angehoben.
-

BTM (Speicherbelegungsautomatik) (Seite 10)

*1 Nur CDX-HR905IP.

*2 Bei ausgeschaltetem Gerät.

*3 Wenn ein UKW-Sender empfangen wird.

*4 Wenn als Audioausgang „SUB“ eingestellt ist.

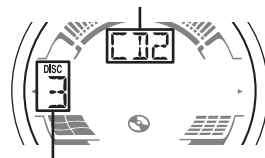
Verwenden gesondert erhältlichiger Geräte

CD/MD-Wechsler

Auswählen des Wechslers

- 1 Drücken Sie **(SOURCE)** so oft, bis „CD“ oder „MD“ angezeigt wird.
- 2 Drücken Sie **(MODE)** so oft, bis der gewünschte Wechsler angezeigt wird.

Gerätenummer



CD/MD-Nummer

Die Wiedergabe beginnt.

Überspringen von Alben und CDs/MDs

- 1 Drücken Sie während der Wiedergabe **(1)**/**(2)** (GP/ALBM -/+).

Zum Überspringen Drücken Sie **(1)**/**(2)** (GP/ALBM -/+)

eines Albums und lassen Sie die Taste nach einem Moment los.

Fortsetzung auf der nächsten Seite →

mehrerer Alben hintereinander	innerhalb von 2 Sekunden nach dem Loslassen erneut.
von CDs/MDs	wiederholt.
mehrerer CDs/ MDs hintereinander	und drücken Sie die Taste innerhalb von 2 Sekunden erneut und halten Sie sie dann gedrückt.

Repeat und Shuffle Play

- 1 Drücken Sie während der Wiedergabe (3) (REP) oder (4) (SHUF) so oft, bis die gewünschte Einstellung im Display erscheint.

Einstellung	Funktion
↶ DISC	Wiederholte Wiedergabe einer CD/MD.
SHUF CHANGER	Wiedergabe der Titel im Wechsler in willkürlicher Reihenfolge.
SHUF ALL*	Wiedergabe der Titel in allen Geräten in willkürlicher Reihenfolge.

* Wenn mindestens ein CD-Wechsler bzw. mindestens zwei MD-Wechsler angeschlossen sind.

Wenn Sie wieder in den normalen Wiedergabemodus wechseln möchten, wählen Sie „↶ OFF“ bzw. „SHUF OFF“.

Tipps

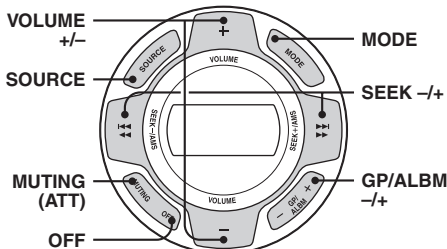
Mit „SHUF ALL“ werden nicht Titel von CD-Geräten und MD-Wechslern gemischt wiedergegeben.

Bootstaugliche Fernbedienung RM-X55M/X11M

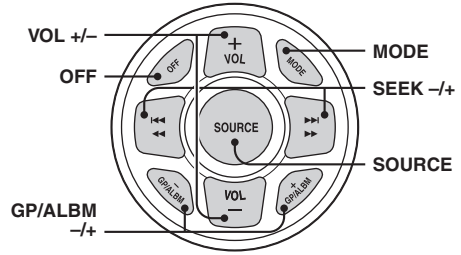
Lage und Funktion der Bedienelemente

Die entsprechenden Tasten auf der bootstauglichen Fernbedienung haben dieselbe Funktion wie die Tasten an diesem Gerät.

RM-X55M



RM-X11M



Bei folgenden Reglern auf der bootstauglichen Fernbedienung müssen Sie anders als mit dem Gerät vorgehen.

- **Lautstärketaste(n) VOLUME (VOL) +/-**
Entspricht dem Lautstärkereger am Gerät.
- **Taste MUTING**
Dämpfen des Tons. (Entspricht (ATT) auf der Kartenfernbedienung.)

Zusätzliche Audiogeräte

Wenn Sie ein gesondert erhältliches tragbares Audiogerät an die Buchse AUX IN am Gerät anschließen und dann einfach die Tonquelle auswählen, können Sie den Ton über die Lautsprecher des Boots wiedergeben lassen. Unterschiede im Lautstärkepegel zwischen diesem Gerät und dem tragbaren Audiogerät können korrigiert werden. Gehen Sie wie im Folgenden erläutert vor:

Einstellen des Lautstärkepegels

Stellen Sie unbedingt vor der Wiedergabe die Lautstärke der einzelnen angeschlossenen Audiogeräte ein.

- 1 Drehen Sie die Lautstärke an diesem Gerät herunter.
- 2 Drücken Sie (SOURCE) so oft, bis „AUX“ erscheint.
„AUX REAR IN“ erscheint.
- 3 Starten Sie die Wiedergabe am tragbaren Audiogerät mit gemäßigter Lautstärke.
- 4 Stellen Sie die gewohnte Hörlautstärke an diesem Gerät ein.
- 5 Drücken Sie (SELECT) so oft, bis „AUX“ erscheint, und stellen Sie durch Drehen des Lautstärkereglers den Eingangspegel (-8 dB bis +18 dB) ein.

Weitere Informationen

Sicherheitsmaßnahmen

- Wenn das Boot längere Zeit in direktem Sonnenlicht festgemacht war, lassen Sie das Gerät etwas abkühlen, bevor Sie es einschalten.
- Motorantennen werden automatisch ausgefahren, wenn das Gerät eingeschaltet wird.

Feuchtigkeitskondensation

Bei Regen oder bei sehr hoher Luftfeuchtigkeit kann sich auf den Linsen im Inneren des Geräts und im Display Feuchtigkeit niederschlagen. In diesem Fall funktioniert das Gerät nicht mehr richtig. Nehmen Sie die CD heraus und warten Sie etwa eine Stunde, bis die Feuchtigkeit verdunstet ist.

So bewahren Sie die hohe Tonqualität

Achten Sie darauf, keine Säfte oder andere zuckerhaltige Getränke auf das Gerät oder die CDs zu verschütten.

Hinweise zu CDs

- Berühren Sie nicht die Oberfläche von CDs, damit diese nicht verschmutzt werden. Fassen Sie CDs nur am Rand an.
- Bewahren Sie CDs in ihrer Hülle oder in den CD-Magazinen auf, wenn sie nicht abgespielt werden.
- Schützen Sie CDs vor Hitze bzw. hohen Temperaturen. Lassen Sie sie nicht im festgemachten Boot liegen.
- Bringen Sie keine Aufkleber auf CDs an und verwenden Sie keine CDs mit Rückständen von Tinte oder Klebstoffen. Solche CDs drehen sich beim Betrieb möglicherweise nicht mehr und führen zu einer Fehlfunktion oder können beschädigt werden.



- Verwenden Sie keine CDs, an denen Etiketten oder Aufkleber angebracht sind. Bei Verwendung solcher CDs kann es zu folgenden Fehlfunktionen kommen:
 - Die CD lässt sich nicht auswerfen, weil sich ein Etikett oder Aufkleber gelöst hat und den Auswurfmechanismus blockiert.
 - Die Audiodaten werden nicht korrekt gelesen (z. B. Tonsprünge bei der Wiedergabe, keine Wiedergabe), weil ein Etikett oder Aufkleber durch Wärmeeinwirkung geschrumpft ist und die CD sich verzogen hat.

- CDs mit außergewöhnlichen Formen (z. B. herzförmige, quadratische oder sternförmige CDs) können mit diesem Gerät nicht wiedergegeben werden. Falls Sie es doch versuchen, kann das Gerät beschädigt werden. Verwenden Sie solche CDs nicht.
- Single-CDs (8-cm-CDs) können ebenfalls nicht verwendet werden.
- Reinigen Sie CDs vor dem Abspielen mit einem handelsüblichen Reinigungstuch. Wischen Sie dabei von der Mitte nach außen. Verwenden Sie keine Lösungsmittel wie Benzin oder Verdünnern und keine handelsüblichen Reinigungsmittel oder Antistatik-Sprays für Schallplatten.



Hinweise zu CD-Rs/CD-RWs

- Je nach dem Gerät, mit dem die CD-R/CD-RW bespielt wurde, oder dem Zustand der CD-R/CD-RW selbst ist eine Wiedergabe mit diesem Gerät nicht in jedem Fall möglich.
- Eine noch nicht abgeschlossene CD-R/CD-RW kann nicht wiedergegeben werden.
- Das Gerät ist mit dem Format ISO 9660, Stufe 1/Stufe 2, dem erweiterten Joliet- bzw. Romeo-Format sowie dem Multisession-Format kompatibel.
- Höchstzahl an:
 - Ordnern (Alben): 150 (einschließlich Stammordner und leerer Ordner).
 - Dateien (Titeln) und Ordnern auf einer CD: 300 (Wenn die Ordner- bzw. Dateinamen viele Zeichen enthalten, ist die maximale Anzahl möglicherweise geringer als 300).
 - anzeigbaren Zeichen für einen Ordner-/Dateinamen: 32 (Joliet) bzw. 64 (Romeo).
- Bei einer Multisession-CD wird nur das Format des ersten Titels der ersten Session erkannt und wiedergegeben (alle anderen Formate werden übersprungen). Das CD-DA-Format hat Vorrang vor dem ATRAC-CD-Format und dieses hat Vorrang vor dem MP3-/WMA-/AAC-Format.
 - Wenn der erste Titel das CD-DA-Format aufweist, werden nur die CD-DA-Titel der ersten Session wiedergegeben.
 - Wenn der erste Titel nicht das CD-DA-Format aufweist, wird eine ATRAC-CD- oder MP3-/WMA-/AAC-Session wiedergegeben. Wenn auf der CD keine Daten in einem dieser Formate enthalten sind, wird „NO MUSIC“ angezeigt.

Fortsetzung auf der nächsten Seite →

Musik-CDs mit Urheberrechtsschutzcodierung

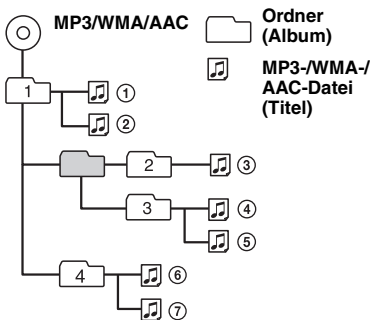
Dieses Gerät ist auf die Wiedergabe von CDs ausgelegt, die dem Compact Disc-Standard (CD) entsprechen.

Seit neuestem bringen einige Anbieter Musik-CDs mit Urheberrechtsschutzcodierung auf den Markt. Beachten Sie bitte, dass einige dieser CDs nicht dem CD-Standard entsprechen und mit diesem Produkt möglicherweise nicht wiedergegeben werden können.

Hinweis zu DualDiscs

Eine DualDisc ist eine zweiseitig bespielte Disc, auf der DVD-Aufnahmen auf der einen und digitale Audiodaten auf der anderen Seite aufgezeichnet sind. Da jedoch die Audiomaterialseite nicht dem Compact Disc (CD)-Standard entspricht, kann einwandfreie Wiedergabe auf diesem Produkt nicht garantiert werden.

Wiedergabereihenfolge von MP3-/WMA-/AAC-Dateien



MP3-Dateien

- MP3 steht für MPEG-1 Audio Layer-3. Dabei handelt es sich um einen Formatstandard zum Komprimieren von Musikdateien. Hierbei werden Audio-CD-Daten auf etwa 1/10 ihrer ursprünglichen Größe komprimiert.
- ID3-Tags der Versionen 1.0, 1.1, 2.2, 2.3 und 2.4 stehen nur bei MP3 zur Verfügung. Ein ID3-Tag besteht aus 15/30 Zeichen (1.0 und 1.1) bzw. 63/126 Zeichen (2.2, 2.3 und 2.4).
- Fügen Sie beim Benennen einer MP3-Datei unbedingt die Dateierweiterung „.mp3“ zum Dateinamen hinzu.
- Bei der Wiedergabe bzw. beim Vorwärts-/Rückwärtssuchen in einer VBR-MP3-Datei (variable Bitrate) wird die verstrichene Spieldauer möglicherweise nicht richtig angezeigt.

WMA-Dateien

- WMA steht für Windows Media Audio. Dabei handelt es sich um einen Formatstandard zum Komprimieren von Musikdateien. Hierbei werden Audio-CD-Daten auf etwa 1/22* ihrer ursprünglichen Größe komprimiert.
- WMA-Tags bestehen aus 63 Zeichen.
- Fügen Sie beim Benennen einer WMA-Datei unbedingt die Dateierweiterung „.wma“ zum Dateinamen hinzu.
- Bei der Wiedergabe bzw. beim Vorwärts-/Rückwärtssuchen in einer VBR-WMA-Datei (variable Bitrate) wird die verstrichene Spieldauer möglicherweise nicht richtig angezeigt.

* nur bei 64 Kbps

Hinweis zu WMA

Die Wiedergabe folgender WMA-Dateien wird nicht unterstützt:

- Dateien mit verlustfreier Komprimierung
- kopiergeschützte Dateien

AAC-Dateien

- AAC steht für Advanced Audio Coding. Dabei handelt es sich um einen Formatstandard zum Komprimieren von Musikdateien. Hierbei werden Audio-CD-Daten auf etwa 1/11* ihrer ursprünglichen Größe komprimiert.
- AAC-Tags bestehen aus 126 Zeichen.
- Fügen Sie beim Benennen einer AAC-Datei unbedingt die Dateierweiterung „.m4a“ zum Dateinamen hinzu.
- Bei der Wiedergabe bzw. beim Vorwärts-/Rückwärtssuchen in einer VBR-AAC-Datei (variable Bitrate) wird die verstrichene Spieldauer möglicherweise nicht richtig angezeigt.

* nur bei 128 Kbps

Hinweis zu AAC

Die Wiedergabe kopiergeschützter Dateien wird nicht unterstützt.

ATRAC-CDs

ATRAC3plus-Format

ATRAC3 steht für „Adaptive Transform Acoustic Coding3“ und ist eine Komprimierungstechnologie für Tonsignale. Hierbei werden Audio-CD-Daten auf etwa 1/10 ihrer ursprünglichen Größe komprimiert. Bei ATRAC3plus, einem erweiterten ATRAC3-Format, werden Audio-CD-Daten auf etwa 1/20 ihrer ursprünglichen Größe komprimiert. Dieses Gerät unterstützt das ATRAC3- und das ATRAC3plus-Format.

ATRAC-CD

Eine ATRAC-CD ist eine mit Audio-CD-Daten bespielte CD, bei der die Daten mithilfe autorisierter Software, wie z. B. SonicStage 2.0 oder höher bzw. SonicStage Simple Burner, im ATRAC3- oder ATRAC3plus-Format komprimiert wurden.

- Höchstzahl an:
 - Ordnern (Gruppen): 255
 - Dateien (Titeln): 999
- Die mit SonicStage eingegebenen Ordner- bzw. Dateinamen und Textinformationen werden angezeigt.

Weitere Informationen zu ATRAC-CDs finden Sie im Handbuch zu SonicStage bzw. SonicStage Simple Burner.

Hinweis

Verwenden Sie zum Erstellen einer ATRAC-CD unbedingt autorisierte Softwareprodukte wie SonicStage 2.0 oder höher bzw. SonicStage Simple Burner 1.0 oder 1.1.

Der iPod

Dieses Gerät kann mit iPod-, iPod photo-, iPod mini- und iPod nano-Modellen mit Dock-Anschluss und folgenden Softwareversionen verwendet werden. Bei älteren als den aufgelisteten Versionen kann der Betrieb nicht gewährleistet werden.

- iPod der dritten Generation: Version 2.3.0
- iPod der vierten Generation: Version 3.1.1
- iPod der fünften Generation: Version 1.2
- iPod photo: Version 1.2.1
- iPod mini: Version 1.4.1
- iPod nano der ersten Generation: Version 1.3
- iPod nano der zweiten Generation: Version 1.1 (Die Videofunktion des iPod der fünften Generation und die Fotofunktion des iPod photo werden nicht unterstützt.)

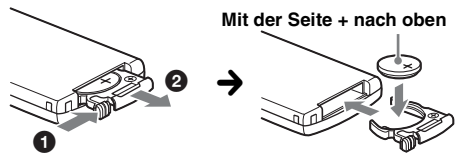
Kunden in den USA erhalten weitere Informationen auf der folgenden Website:
<http://www.xplodsony.com>

Sollten an Ihrem Gerät Probleme auftreten oder sollten Sie Fragen haben, auf die in dieser Anleitung nicht eingegangen wird, wenden Sie sich bitte an Ihren Sony-Händler.

Wartung

Austauschen der Lithiumbatterie der Kartenfernbedienung

Unter normalen Bedingungen hält die Batterie etwa 1 Jahr. Die Lebensdauer der Batterie kann je nach Gebrauch des Geräts jedoch auch kürzer sein. Wenn die Batterie schwächer wird, verkürzt sich die Reichweite der Kartenfernbedienung. Tauschen Sie die Batterie gegen eine neue CR2025-Lithiumbatterie aus. Bei Verwendung einer anderen Batterie besteht Feuer- oder Explosionsgefahr.



Hinweise zur Lithiumbatterie

- Bewahren Sie die Lithiumbatterie außerhalb der Reichweite von Kindern auf. Sollte eine Lithiumbatterie verschluckt werden, ist umgehend ein Arzt aufzusuchen.
- Wischen Sie die Batterie mit einem trockenen Tuch ab, um einen guten Kontakt zwischen den Batteriepolen und -anschlüssen sicherzustellen.
- Achten Sie beim Einlegen der Batterie auf die richtige Polarität.
- Halten Sie die Batterie nicht mit einer Metallpinzette. Dies könnte zu einem Kurzschluss führen.

VORSICHT

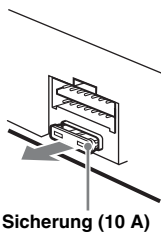
Die Batterie kann bei falscher Handhabung explodieren!
Auf keinen Fall darf sie aufgeladen, auseinandergenommen oder ins Feuer geworfen werden.

Entsorgungshinweis: Bitte werfen Sie nur entladene Batterien in die Sammelboxen beim Handel oder den Kommunen. Entladen sind Batterien in der Regel dann, wenn das Gerät abschaltet und „Batterie leer“ signalisiert oder nach längerer Gebrauchsdauer der Batterien nicht mehr einwandfrei funktioniert. Um sicherzugehen, kleben Sie die Batteriepole z. B. mit einem Klebestreifen ab oder geben Sie die Batterien einzeln in einen Plastikbeutel.

Fortsetzung auf der nächsten Seite →

Austauschen der Sicherung

Wenn Sie eine Sicherung austauschen, achten Sie darauf, eine Ersatzsicherung mit dem gleichen Ampere-Wert wie die Originalsicherung zu verwenden. Dieser ist auf der Originalsicherung angegeben. Wenn die Sicherung durchbrennt, überprüfen Sie den Stromanschluss und tauschen die Sicherung aus. Brennt die neue Sicherung ebenfalls durch, kann eine interne Fehlfunktion vorliegen. Wenden Sie sich in einem solchen Fall an Ihren Sony-Händler.



Technische Daten

CD-Player

Signal-Rauschabstand: 120 dB
Frequenzgang: 10 – 20.000 Hz
Gleichlaufschwankungen: Unterhalb der Messgrenze

Tuner

CDX-H905IP:

FM (UKW)

Empfangsbereich:

87,5 – 108,0 MHz (in Schritten von 50 kHz)
87,5 – 107,9 MHz (in Schritten von 200 kHz)

UKW-Empfangsintervall: 50 kHz/200 kHz umschaltbar

Antennenanschluss: Anschluss für Außenantenne

Zwischenfrequenz: 10,7 MHz/450 kHz

Nutzbare Empfindlichkeit: 9 dBf

Trennschärfe: 75 dB bei 400 kHz

Signal-Rauschabstand: 67 dB (stereo), 69 dB (mono)

Harmonische Verzerrung bei 1 kHz: 0,5 % (stereo), 0,3 % (mono)

Kanaltrennung: 35 dB bei 1 kHz

Frequenzgang: 30 – 15.000 Hz

AM

Empfangsbereich:

531 – 1.602 kHz (in Schritten von 9 kHz)
530 – 1.710 kHz (in Schritten von 10 kHz)

AM-Empfangsintervall: 9 kHz/10 kHz umschaltbar

Antennenanschluss: Anschluss für Außenantenne

Zwischenfrequenz: 10,7 MHz/450 kHz

Empfindlichkeit: 30 µV

CDX-HR905IP:

FM (UKW)

Empfangsbereich: 87,5 – 108,0 MHz

Antennenanschluss: Anschluss für Außenantenne

Zwischenfrequenz: 10,7 MHz/450 kHz

Nutzbare Empfindlichkeit: 9 dBf

Trennschärfe: 75 dB bei 400 kHz

Signal-Rauschabstand: 67 dB (stereo), 69 dB (mono)

Harmonische Verzerrung bei 1 kHz: 0,5 % (stereo), 0,3 % (mono)

Kanaltrennung: 35 dB bei 1 kHz

Frequenzgang: 30 – 15.000 Hz

MW/LW

Empfangsbereich:

MW: 531 – 1.602 kHz

LW: 153 – 279 kHz

Antennenanschluss: Anschluss für Außenantenne

Zwischenfrequenz: 10,7 MHz/450 kHz

Empfindlichkeit: MW: 30 µV, LW: 40 µV

Endverstärker

Ausgänge: Lautsprecheranschlüsse (versiegelte Anschlüsse)

Lautsprecherimpedanz: 4 – 8 Ohm

Maximale Ausgangsleistung: 52 W × 4 (an 4 Ohm)

Allgemeines

Ausgänge:

Audioausgangsanschluss (vorne, hinten/
Tiefsttonlautsprecher umschaltbar)
Motorantennen-Steueranschluss
Steueranschluss für Endverstärker

Eingänge:

Steueranschluss für Stummschaltung beim
Telefonieren
Steueranschluss für Beleuchtung
BUS-Steuerzugang
BUS-Audioeingang
Fernbedienungseingang
Antenneneingang
AUX-Eingangsanschluss
iPod-Signaleingang (Dock-Anschluss)

Klangregler:

Bässe: ±10 dB bei 60 Hz (XPLOD)
Mitten: ±10 dB bei 1 kHz (XPLOD)
Höhen: ±10 dB bei 10 kHz (XPLOD)

Betriebsspannung: 12 V Gleichstrom, Bootsbatterie (negative Erdung)

Abmessungen: ca. 197 × 89 × 187 mm (B/H/T)

Einbaumaße: ca. 181 × 52 × 144 mm (B/H/T)

Gewicht: ca. 1,8 kg

Mittelgeliefertes Zubehör:

Kartenfernbedienung: RM-X151
Montageteile und Anschlusszubehör (1 Satz)

Sonderzubehör/gesondert erhältliche Geräte*:

Bootstaugliche Kartenfernbedienung: RM-X55M,
RM-X11M
BUS-Kabel (mit einem Cinchkabel geliefert):
RC-61 (1 m), RC-62 (2 m)
CD-Wechsler (10 CDs): CDX-757MX
CD-Wechsler (6 CDs): CDX-T70MX, CDX-T69
Signalquellenwähler: XA-C40
AUX IN-Signalquellenwähler: XA-300
für CDX-H905IP
HD Radio™-Tuner: XT-100HD

* Andere Zubehörteile bzw. Geräte als die bootstaugliche Fernbedienung RM-X55M/X11M sind nicht wasserfest. Schützen Sie sie daher vor Wasser.

Ihr Händler führt unter Umständen nicht alle der oben genannten Zubehörteile. Fragen Sie Ihren Händler nach ausführlichen Informationen.

US-amerikanische Patente und Patente anderer Länder lizenziert von Dolby Laboratories.

MPEG Layer-3 Audiocodierttechnologie und Patente lizenziert von Fraunhofer IIS und Thomson.

Dieses Produkt ist durch bestimmte gewerbliche Schutz- und Urheberrechte der Microsoft Corporation geschützt. Die Verwendung oder der Vertrieb derartiger Technologie außerhalb dieses Produkts ohne eine Lizenz von Microsoft oder einer autorisierten Microsoft-Niederlassung ist untersagt.

Hinweis

Dieses Gerät kann nicht an einen digitalen Vorverstärker oder an einen Equalizer, der mit dem Sony-BUS-System kompatibel ist, angeschlossen werden.

Änderungen, die dem technischen Fortschritt dienen, bleiben vorbehalten.



- In bestimmten Leiterplatten werden keine halogenierten Flammschutzmittel verwendet.
- Im Gehäuse werden keine halogenierten Flammschutzmittel verwendet.
- Papier wird als Verpackungsfüllmaterial verwendet.

Störungsbehebung

Anhand der folgenden Checkliste können Sie die meisten Probleme, die möglicherweise an Ihrem Gerät auftreten, selbst beheben.

Bevor Sie die folgende Checkliste durchgehen, überprüfen Sie bitte zunächst, ob Sie das Gerät richtig angeschlossen und bedient haben.

Allgemeines

Das Gerät wird nicht mit Strom versorgt.

- Überprüfen Sie die Verbindungen. Wenn die Anschlüsse in Ordnung sind, überprüfen Sie die Sicherung.
- Wenn Sie das Gerät ausschalten und die Anzeige ausgeblendet ist, können Sie es nicht mit der Kartenfernbedienung bedienen.
→ Schalten Sie das Gerät ein.

Die Motorantenne wird nicht ausgefahren.

Die Motorantenne hat kein Relaiskästchen.

Es ist kein Ton zu hören.

- Die Lautstärke ist zu niedrig.
- Die Funktion zum Dämpfen des Tons oder die Stummschaltfunktion zum Telefonieren (wenn das Schnittstellenkabel eines Telefons mit der ATT-Leitung verbunden ist) ist aktiviert.
- Der Fader-Regler „FAD“ ist nicht für ein 2-Lautsprecher-System eingestellt.
- Der CD-Wechsler unterstützt die CD (MP3/WMA/AAC/ATRAC-CD) nicht.
→ Lassen Sie die CD mit einem MP3-kompatiblen CD-Wechsler von Sony oder mit diesem Gerät wiedergeben.

Kein Signalton ertönt.

- Der Signalton ist deaktiviert (Seite 14).
- Ein gesondert erhältlicher Endverstärker ist angeschlossen und Sie verwenden nicht den integrierten Verstärker.

Der Speicherinhalt wurde gelöscht.

- Die Taste RESET wurde gedrückt.
→ Speichern Sie die Einstellungen erneut.
- Das Stromversorgungskabel wurde gelöst oder die Verbindung zur Batterie besteht nicht mehr.
- Das Stromversorgungskabel ist nicht richtig angeschlossen.

Gespeicherte Sender und die korrekte Uhrzeit werden gelöscht.

Die Sicherung ist durchgebrannt. Störgeräusche sind zu hören, wenn der Zündschlüssel gedreht wird.

Die Leitungen sind nicht korrekt an den Stromanschluss für Zubehörgeräte angeschlossen.

Das Gerät wechselt während der Wiedergabe bzw. des Radioempfangs in den Demo-Modus.

Wenn „DEMO-ON“ eingestellt ist und 5 Minuten lang keine Funktion ausgeführt wird, wechselt das Gerät in den Demo-Modus.

→ Stellen Sie „DEMO-OFF“ ein (Seite 15).

Die Anzeige wird ausgeblendet bzw. erscheint nicht im Display.

- Der Dimmer ist auf „DIM-ON“ eingestellt (Seite 15).
- Die Anzeige wird ausgeblendet, wenn Sie **(OFF)** gedrückt halten.
→ Halten Sie **(OFF)** am Gerät erneut gedrückt, bis die Anzeige eingeblendet wird.

Die Abschaltautomatik funktioniert nicht.

Das Gerät ist eingeschaltet. Die Abschaltautomatik wird nach dem Ausschalten des Geräts aktiviert.

→ Schalten Sie das Gerät aus.

Die Kartenfernbedienung funktioniert nicht.

Vergewissern Sie sich, dass die Isolierfolie herausgezogen wurde (Seite 5).

Die DSO-Funktion hat keine Wirkung.

Je nach dem Innenraum des jeweiligen Boots bzw. dem Musiktyp hat die DSO-Funktion möglicherweise nicht die gewünschte Wirkung.

Fortsetzung auf der nächsten Seite →

CD/MD-Wiedergabe

Es lässt sich keine CD einlegen.

- Es ist bereits eine andere CD eingelegt.
- Die CD wurde mit Gewalt falsch herum oder falsch eingelegt.

Die CD lässt sich nicht abspielen.

- Die CD ist beschädigt oder verschmutzt.
- Die CD-R/CD-RW ist nicht als Audio-CD konzipiert (Seite 17).
- Das CD-Format und die Dateiversion sind nicht mit diesem Gerät kompatibel (Einzelheiten dazu finden Sie auf Seite 4 und 17).

Es dauert länger, bis die Wiedergabe von MP3-/WMA-/AAC-Dateien beginnt.

Bei folgenden CDs dauert es länger, bis die

Wiedergabe beginnt:

- CDs mit einer komplizierten Datei-/Ordnerstruktur.
- Multisession-CDs.
- CDs, zu denen noch Daten hinzugefügt werden können.

Eine ATRAC-CD kann nicht abgespielt werden.

- Die CD wurde nicht mit autorisierter Software wie SonicStage oder SonicStage Simple Burner erstellt.
- Titel, die nicht in einer Gruppe enthalten sind, können nicht abgespielt werden.

Im Display angezeigte Informationen laufen nicht automatisch durch.

- Bei CDs mit sehr viel Textinformationen laufen diese im Display möglicherweise nicht durch.
- „A.SCRL“ ist auf „OFF“ eingestellt.
→ Stellen Sie „A.SCRL-ON“ ein (Seite 15) oder drücken Sie **(SCRL)**.

Tonsprünge treten auf.

- Das Gerät ist nicht richtig installiert.
→ Installieren Sie das Gerät in einem Winkel von unter 45° an einem stabilen Teil des Boots.
- Die CD ist beschädigt oder verschmutzt.

Die Funktionstasten funktionieren nicht.

Die CD lässt sich nicht auswerfen.

Drücken Sie die Taste RESET (Seite 5).

Radioempfang

Sender lassen sich nicht empfangen.

Der Ton ist stark gestört.

- Schließen Sie eine Motorantennen-Steuerleitung (blau) oder eine Stromversorgungsleitung für Zubehörgeräte (rot) an die Stromversorgungsleitung für den Antennenverstärker des Boots an (nur, wenn das Boot mit einer integrierten Antenne ausgestattet ist).
- Prüfen Sie die Verbindung der Bootsantenne.
- Die Autoantenne wird nicht ausgefahren.
→ Prüfen Sie die Verbindung der Motorantennen-Steuerleitung.
- Überprüfen Sie die Frequenz.
- Wenn der DSO-Modus aktiviert ist, ist der Ton manchmal gestört.
→ Setzen Sie DSO auf „OFF“ (Seite 7).

Gespeicherte Sender lassen sich nicht einstellen.

- Speichern Sie den/die Sender unter der korrekten Frequenz ab.
- Das Sendesignal ist zu schwach.

Der automatische Sendersuchlauf funktioniert nicht.

- Die Einstellung für den lokalen Suchmodus ist nicht korrekt.
→ Der automatische Sendersuchlauf stoppt zu oft:
Stellen Sie „LOCAL-ON“ ein (Seite 15).
→ Der automatische Sendersuchlauf hält bei keinem Sender an:
Stellen Sie „MONO-ON“ ein (Seite 15).
- Das Sendesignal ist zu schwach.
→ Stellen Sie die Sender manuell ein.

Während des UKW-Empfangs blinkt die Anzeige „ST“.

- Stellen Sie die Frequenz genau ein.
- Das Sendesignal ist zu schwach.
→ Stellen Sie „MONO-ON“ ein (Seite 15).

Eine UKW-Stereosendung ist nur monaural zu hören.

Das Gerät ist in den monauralen Empfangsmodus geschaltet.

→ Stellen Sie „MONO-OFF“ ein (Seite 15).

RDS (CDX-HR905IP)

Der Sendersuchlauf (SEEK) startet nach ein paar Sekunden Radioempfang.

Der Sender ist kein Verkehrsfunksender (TP) oder die Sendesignale sind zu schwach.

→ Deaktivieren Sie TA (Seite 11).

Es sind keine Verkehrsdurchsagen zu hören.

- Aktivieren Sie TA (Seite 11).
- Der Sender sendet keine Verkehrsdurchsagen, obwohl es sich um einen Verkehrsfunksender (TP) handelt.
→ Stellen Sie einen anderen Sender ein.

Bei der PTY-Funktion wird „-----“ angezeigt.

- Der aktuelle Sender ist kein RDS-Sender.
- Es wurden keine RDS-Daten empfangen.
- Der Sender gibt den Programmtyp nicht an.

Fehleranzeigen/Meldungen

BLANK

Die MD enthält keine Titel.*1

→ Legen Sie eine MD ein, auf der Titel aufgezeichnet sind.

ERROR*2

- Die CD/MD ist verschmutzt oder falsch herum eingelegt.*1
→ Reinigen Sie die CD bzw. legen Sie sie korrekt ein.
- Eine leere CD wurde eingelegt.
- Die CD kann aufgrund eines Problems nicht wiedergegeben werden.
→ Legen Sie eine andere CD ein.

FAILURE

Die Lautsprecher-/Verstärkeranschlüsse sind nicht korrekt.
→ Schlagen Sie in der Installationsanleitung nach, wie die Anschlüsse korrekt vorgenommen werden müssen.

FAILURE (Leuchtet etwa 1 Sekunde lang.) (nur CDX-H9051P)

Bei einem angeschlossenen XM-Tuner kann ein XM-Radiokanal nicht gespeichert werden.
→ Stellen Sie den Kanal ein, den Sie speichern wollen, und versuchen Sie es dann erneut.

LOAD

Der Wechsler lädt die CD/MD.
→ Warten Sie, bis der Ladevorgang abgeschlossen ist.

L. SEEK +/-

Beim automatischen Sendersuchlauf ist der lokale Suchmodus aktiviert.

NO AF (nur CDX-HR9051P)

Für den aktuellen Sender gibt es keine Alternativfrequenz.
→ Drücken Sie (SEEK) +/-, solange der Programmnamenname blinkt. Das Gerät beginnt dann mit der Suche nach einer Frequenz mit denselben PI-Daten (Programmkennung). „PI SEEK“ wird angezeigt.

NO DISC

Im CD/MD-Wechsler befindet sich keine CD/MD.
→ Legen Sie CDs/MDs in den Wechsler ein.

NO INFO

Die MP3-/WMA-/AAC-Datei oder ATRAC-CD enthält keine Textinformationen.

NO IPOD

Es ist kein iPod angeschlossen.
→ Schließen Sie einen iPod an den Dock-Anschluss an.
Wenn beim Anschließen des iPod an den Dock-Anschluss „NO IPOD“ angezeigt wird, trennen Sie den iPod vom Dock-Anschluss und schließen Sie ihn dann erneut an.

NO MAG

Das CD-Magazin ist nicht in den CD-Wechsler eingesetzt.
→ Setzen Sie das Magazin in den Wechsler ein.

NO MUSIC

Die CD enthält keine Musikdateien.
→ Legen Sie eine Musik-CD in dieses Gerät oder den MP3-kompatiblen Wechsler ein.

NO NAME

Für den Titel gibt es keinen Disc-, Gruppen- bzw. Titelnamen.

NO TP (nur CDX-HR9051P)

Das Gerät sucht weiter nach verfügbaren Verkehrsfunksendern.

NOTREADY

Der Deckel des MD-Wechslers ist offen oder die MDs wurden nicht korrekt eingelegt.
→ Schließen Sie den Deckel bzw. legen Sie die MDs korrekt ein.

OFFSET

Es liegt möglicherweise eine interne Fehlfunktion vor.
→ Überprüfen Sie die Verbindungen. Wenn die Fehleranzeige weiterhin im Display angezeigt wird, wenden Sie sich an einen Sony-Händler.

READ

Das Gerät liest gerade alle Titel- und Gruppen-/Albuminformationen von der CD ein.
→ Bitte warten Sie, bis das Einlesen abgeschlossen ist. Die Wiedergabe beginnt danach automatisch. Je nach CD-Struktur kann das Einlesen länger als eine Minute dauern.

RESET

Das CD-Gerät bzw. der CD/MD-Wechsler kann wegen einer Störung nicht bedient werden.
→ Drücken Sie die Taste RESET (Seite 5).

„LLLL“ oder „rrrr“

Sie sind beim Rückwärts- oder Vorwärtssuchen am Anfang bzw. Ende der CD angelangt und können nicht weitersuchen.

„—“

Das Zeichen kann mit diesem Gerät nicht angezeigt werden.

*1 Die Nummer der CD/MD, die den Fehler verursacht, erscheint im Display.

*2 Wenn während der Wiedergabe einer CD oder MD ein Fehler auftritt, wird die Nummer der CD bzw. MD nicht im Display angezeigt.

Wenn sich das Problem mit diesen Abhilfemaßnahmen nicht beheben lässt, wenden Sie sich an einen Sony-Händler.

Wenn Sie das Gerät aufgrund einer Störung bei der CD-Wiedergabe zur Reparatur bringen, bringen Sie bitte auch die CD mit, die eingelegt war, als das Problem zum ersten Mal auftrat.

Zie voor het monteren en aansluiten van het apparaat de bijgeleverde handleiding "Installatie en aansluitingen".

**CLASS 1
LASER PRODUCT**

Dit label bevindt zich aan de onderkant van het apparaat.

De fabrikant van dit product is Sony Corporation, 1-7-1 Konan Minato-ku Tokio, 108-0075 Japan. De geautoriseerde vertegenwoordiger voor EMC en productveiligheid is Sony Deutschland GmbH, Hedelfinger Strasse 61, 70327 Stuttgart, Duitsland. Voor zaken met betrekking tot onderhoud of garantie kunt u contact opnemen met de adressen die worden vermeld in de afzonderlijke onderhouds-of garantiedocumenten.



Verwijdering van oude elektrische en elektronische apparaten (Toepasbaar in de Europese Unie en andere Europese landen met gescheiden ophaalsystemen)

Het symbool op het product of op de verpakking wijst erop dat dit product niet als huishoudelijk afval mag worden behandeld. Het moet echter naar een plaats worden gebracht waar elektrische en elektronische apparatuur wordt gerecycled. Als u ervoor zorgt dat dit product op de correcte manier wordt verwijderd, voorkomt u voor mens en milieu negatieve gevolgen die zich zouden kunnen voordoen in geval van verkeerde afvalbehandeling. De recycling van materialen draagt bij tot het vrijwaren van natuurlijke bronnen. Voor meer details in verband met het recyclen van dit product, neemt u contact op met de gemeentelijke instanties, het bedrijf of de dienst belast met de verwijdering van huishoudafval of de winkel waar u het product hebt gekocht.

Accessoire waarop dit van toepassing is:
Afstandsbediening



Verwijdering van oude batterijen (in de Europese Unie en andere Europese landen met afzonderlijke inzamelingsystemen)

Dit symbool op de batterij of verpakking wijst erop dat de meegeleverde batterij van dit product niet als huishoudelijk afval behandeld mag worden. Door deze batterijen op juiste wijze af te voeren, voorkomt u voor mens en milieu negatieve gevolgen die zich zouden kunnen voordoen in geval van verkeerde afvalbehandeling. Het recyclen van materialen draagt bij tot het vrijwaren van natuurlijke bronnen. In het geval dat de producten om redenen van veiligheid, prestaties dan wel in verband met data-integriteit een permanente verbinding met batterij vereisen, dient deze batterij enkel door gekwalificeerd servicepersoneel vervangen te worden. Om ervoor te zorgen dat de batterij op een juiste wijze zal worden behandeld, dient het product aan het eind van zijn levenscyclus overhandigd te worden aan het desbetreffende inzamelingspunt voor de recycling van elektro-, en elektronisch-materiaal. Voor alle andere batterijen verwijzen we u naar het gedeelte hoe de batterij veilig uit het product te verwijderen. Overhandig de batterij bij het desbetreffende inzamelingspunt voor de recycling van batterijen. Voor meer details in verband met het recyclen van dit product of batterij, neemt u contact op met de gemeentelijke instanties, het bedrijf of de dienst belast met de verwijdering van huishoudafval of de winkel waar u het product hebt gekocht.

SonicStage en het bijbehorende logo zijn handelsmerken van Sony Corporation. "ATRAC" en het bijbehorende logo zijn handelsmerken van Sony Corporation.



Microsoft, Windows Media en het Windows-logo zijn geregistreerde handelsmerken van Microsoft Corporation in de VS en/of andere landen.

iPod is een handelsmerk van Apple Inc., gedeponeerd in de Verenigde Staten en andere landen.

Waarschuwing als het contactslot van de boot geen ACC-positie heeft

Zorg ervoor dat u de functie voor automatisch uitschakelen instelt (pagina 14).

Hiermee wordt het apparaat na de ingestelde tijdsduur automatisch volledig uitgeschakeld nadat u het apparaat hebt uitgeschakeld. Zo voorkomt u dat de accu leegraakt.

Als u de functie voor automatisch uitschakelen niet instelt, houdt u **(OFF)** ingedrukt totdat het scherm verdwijnt wanneer u het contactslot op uit zet.

Welkom!	4
---------------	---

Aan de slag

Het apparaat opnieuw instellen	5
De kaartafstandsbediening voorbereiden	5
De klok instellen	5
De disc in het apparaat plaatsen	5
De disc uitwerpen	5

Bedieningselementen en algemene handelingen

Hoofdeenheid	6
Kaartafstandsbediening RM-X151	8

CD

Schermitems	9
Herhaaldelijk en willekeurig afspelen	9

Radio

Zenders opslaan en ontvangen	10
Automatisch opslaan — BTM	10
Handmatig opslaan	10
De opgeslagen zenders ontvangen	10
Automatisch afstemmen	10
RDS (CDX-HR905IP)	10
Overzicht	10
AF en TA instellen	11
PTY selecteren	11
CT instellen	12

iPod

Een iPod afspelen	12
Tracks afspelen	12
Schermitems	13
De weergavestand instellen	13
Album, artiest of afspeellijst selecteren	13
Herhaaldelijk en willekeurig afspelen	13
Scannen	13

Overige functies

De geluidsinstellingen wijzigen	14
De geluidskenmerken aanpassen	
— BAL/FAD/SUB	14
De equalizercurve aanpassen	
— EQ3	14
Instelitems aanpassen — SET	14
Optionele apparaten gebruiken	15
CD/MD-wisselaar	15
Maritieme kaartafstandsbediening	
RM-X55M/X11M	16
Randapparatuur voor audio	17

Aanvullende informatie







Voorzorgsmaatregelen	17
Opmerkingen over discs	17
Af speelvolgorde van MP3-/WMA-/AAC-bestanden	18
Informatie over MP3-bestanden	18
Informatie over WMA-bestanden	18
Informatie over AAC-bestanden	19
Informatie over ATRAC CD's	19
Informatie over iPod	19
Onderhoud	19
Technische gegevens	20
Problemen oplossen	21
Foutmeldingen/berichten	23

Welkom!

Dank u voor de aankoop van deze Sony Compact Disc Player. U kunt tijdens het varen genieten van de volgende functies.

• CD's afspelen

U kunt CD-DA's (ook met CD TEXT), CD-R's/CD-RW's (MP3-/WMA-/AAC-bestanden (pagina 18)) en ATRAC CD's (ATRAC3- en ATRAC3plus-indeling (pagina 19)) afspelen.

Soorten discs	Label op de disc	
CD-DA		
MP3 WMA AAC ATRAC CD		
		

• Radio-ontvangst

– U kunt maximaal 6 zenders per band opslaan.

CDX-H905IP:

FM1, FM2, FM3, AM1 en AM2

CDX-HR905IP:

FM1, FM2, FM3, MW en LW

– **BTM** (geheugen voor beste afstemming): Met het apparaat worden zenders met sterke signalen geselecteerd en opgeslagen.

• RDS-diensten

– U kunt naar FM-zenders met de RDS-dienst (radiogegevenssysteem) luisteren in Europa. (CDX-HR905IP)

• Geluidsaanpassing

– **EQ3 stage2:** U kunt kiezen uit 7 ingestelde equalizercurves.

– **DSO** (dynamische soundstage-indeling): Het geluid van de luidsprekers wordt met virtuele luidsprekersynthese verbeterd, zelfs als de luidsprekers onder in de deur zijn geïnstalleerd.

• Optionele apparaten bedienen

Er kunnen verschillende soorten audioapparaten worden aangesloten.

– **iPod:** Een iPod kan worden aangesloten met de dockconnectorkabel aan de achterkant van het apparaat.

– **Draagbaar audioapparaat:** U kunt een draagbaar audioapparaat aansluiten op de AUX IN-aansluiting aan de achterkant van het apparaat (analoge aansluiting).

– **CD/MD-wisselaars:** CD/MD-wisselaars kunnen worden aangesloten op de Sony BUS-aansluiting aan de achterkant van het apparaat.

Waterbestendigheid

Dit apparaat is ontworpen voor gebruik in een waterrijke omgeving. Om het apparaat te beschermen tegen waterdruppels, golven, regen, vocht, ultraviolette straling, enzovoort, zijn de volgende tests uitgevoerd op het apparaat om verzekerd te zijn van betrouwbaarheid en functionaliteit (alleen het voorpaneel):

- Waterbestendig voorpaneel - IPx5 gecertificeerd
- Bestand tegen zilte lucht/mist - Getest onder ASTM B117
- Printplaat met speciale coating
- Bestand tegen ultraviolette straling - Getest onder ASTM G154

Opmerkingen

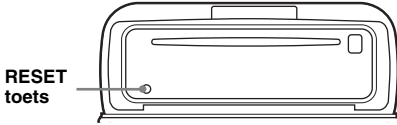
- *Sluit het voorpaneel om verzekerd te zijn van de waterbestendigheid, behalve wanneer u een disc plaatst/uitwerpt.*
- *Zorg ervoor dat het apparaat, met uitzondering van het voorpaneel, niet in contact komt met water.*
- *Zet dit apparaat niet op de volgende plaatsen:*
 - plaatsen waar het apparaat kan worden blootgesteld aan hoge waterdruk, geisers of badkuipen, enzovoort.
 - onder water.

Aan de slag

Het apparaat opnieuw instellen

Voordat u het apparaat voor het eerst gebruikt of na het vervangen van de accu of het wijzigen van de aansluitingen, moet u het apparaat opnieuw instellen.

Open het voorpaneel en druk met een puntig voorwerp, zoals een balpen, op de RESET toets.

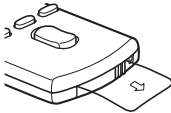


Opmerking

Als u op de RESET toets drukt, worden de klokinstelling en bepaalde opgeslagen gegevens gewist.

De kaartafstandsbediening voorbereiden

Voordat u de kaartafstandsbediening voor het eerst gebruikt, moet u het beschermende laagje verwijderen.



Tip

Zie "De lithiumbatterij van de kaartafstandsbediening vervangen" op pagina 19 voor meer informatie over het vervangen van de batterij.

De klok instellen

CDX-H905IP:

12-uurs systeem

CDX-HR905IP:

24-uurs systeem

- 1 Houd **(SELECT)** ingedrukt.
Het installatievenster wordt weergegeven.
- 2 Druk herhaaldelijk op **(SELECT)** tot "CLOCK-ADJ" wordt weergegeven.
- 3 Druk op **(SEEK) +**.
De aanduiding voor het uur begint te knipperen.

4 Draai de volumeknop om het uur en de minuten in te stellen.

Als u de digitale aanduiding wilt verplaatsen, drukt u op **(DSPL)**.

5 Druk op **(SELECT)**.

Het instellen is voltooid en de klok begint te lopen.

Als u de klok wilt weergeven, drukt u op

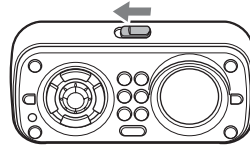
(DSPL). Druk nogmaals op **(DSPL)** om terug te keren naar het vorige scherm.

Tip

U kunt de klok automatisch instellen met de RDS-functie (pagina 12). (alleen CDX-HR905IP)

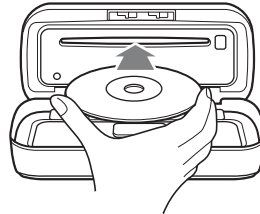
De disc in het apparaat plaatsen

1 Schuif de OPEN-schakelaar in de richting van de pijl.



2 Open het voorpaneel.

3 Plaats de disc (met het label naar boven).



4 Sluit het voorpaneel.

Het afspelen wordt automatisch gestart.

Opmerkingen

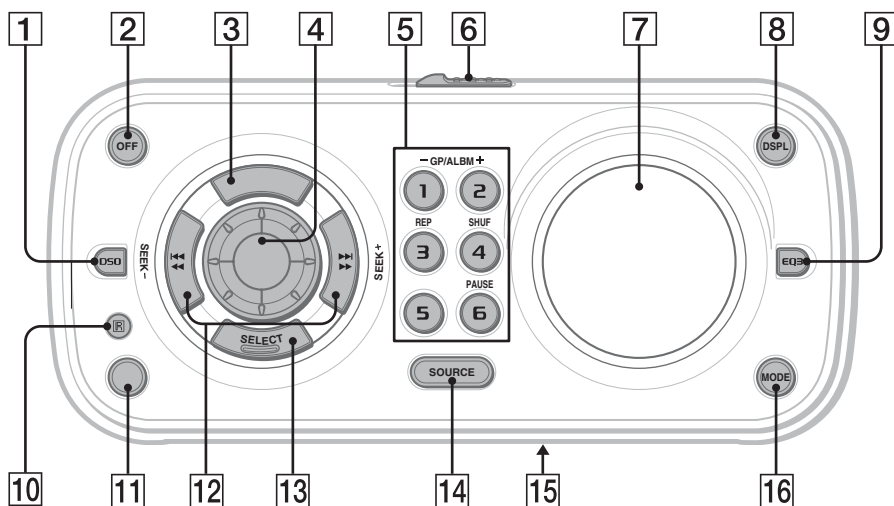
- Plaats niets op de binnenkant van het voorpaneel.
- Zorg ervoor dat u het voorpaneel sluit wanneer u het apparaat gebruikt.

De disc uitwerpen

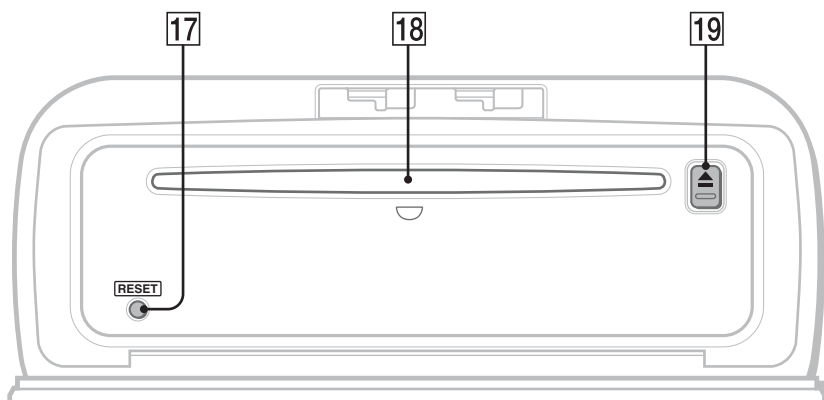
- 1 Schuif de OPEN-schakelaar en open het voorpaneel.
- 2 Druk op **▲**.
De disc wordt uitgeworpen.
- 3 Sluit het voorpaneel.

Bedieningselementen en algemene handelingen

Hoofdeenheid



Voorpaneel geopend



In dit gedeelte vindt u informatie over de locatie van bedieningselementen en instructies voor algemene handelingen. Bekijk de betreffende pagina's voor meer informatie.

Zie "iPod" op pagina 12 voor de bediening van een iPod. Zie "Optionele apparaten gebruiken" op pagina 15 voor meer informatie over het bedienen van optionele apparaten (CD/MD-wisselaars, enzovoort).

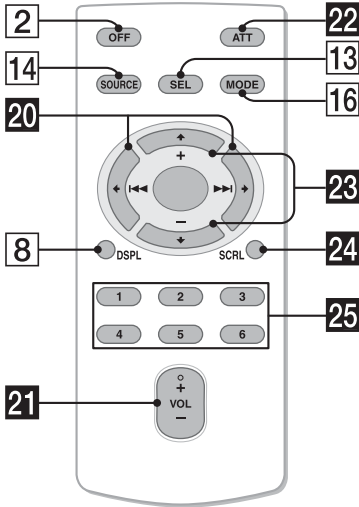
De overeenkomstige toetsen op de kaartafstandsbediening bedienen dezelfde functies als die op het apparaat.

- 1 DSO toets** pagina 4
De DSO-functie selecteren (1, 2, 3 of OFF).
Hoe groter het getal, des te duidelijker het effect.
- 2 OFF toets**
Uitschakelen; de bron stoppen.
- 3 SCRL (rollen) toets (CDX-H9051P)**
Het schermitem rollen.
AF (alternatieve frequenties)/TA (verkeersinformatie) toets (CDX-HR9051P) pagina 11
AF en TA in RDS instellen.
- 4 Volumeknop** pagina 14
Het volume aanpassen.
- 5 Cijfertoetsen**
CD/PD:
 - ①/②: **GP/ALBM** -/+
Albums overslaan (indrukken); albums blijven overslaan (ingedrukt houden).
 - ③: **REP** pagina 9
 - ④: **SHUF** pagina 9
 - ⑥: **PAUSE**
Het afspelen van een CD met dit apparaat onderbreken. Druk nogmaals op de toets om te annuleren.**Radio:**
De opgeslagen zenders ontvangen (indrukken); zenders opslaan (ingedrukt houden).
- 6 OPEN-schakelaar** pagina 5
- 7 Scherm**
- 8 DSPL (scherm) toets** pagina 9, 10
De schermitems wijzigen.
- 9 EQ3 (equalizer) toets** pagina 14
Een equalizertype selecteren (XPLOD, VOCAL, EDGE, CRUISE, SPACE, GRAVITY, CUSTOM of OFF).

- 10 Ontvanger voor de kaartafstandsbediening**
- 11 BTM/CAT toets (CDX-H9051P)** pagina 10
De BTM-functie inschakelen (ingedrukt houden).
PTY (programmatype) toets (CDX-HR9051P) pagina 11
PTY in RDS selecteren.
- 12 SEEK -/+ toetsen**
CD/PD:
Tracks overslaan (indrukken); tracks blijven overslaan (indrukken, vervolgens binnen 1 seconde nogmaals indrukken en vasthouden); een track snel terug-/vooruitspoelen (ingedrukt houden).
Radio:
Automatisch afstemmen op zenders (indrukken); handmatig zoeken naar zenders (ingedrukt houden).
- 13 SELECT toets**
Instelitems selecteren.
- 14 SOURCE toets**
Inschakelen; de bron wijzigen (radio/CD/AUX/PD)*.
- 15 Frequentiekeuzeschakelaar (CDX-H9051P)** (bevindt zich aan de onderkant van het apparaat)
Zie "Frequentiekeuzeschakelaar" in de bijgeleverde handleiding voor installatie/aansluitingen.
- 16 MODE toets** pagina 10
De radioband selecteren*; de weergavestand van de iPod selecteren.
- 17 RESET toets** pagina 5
- 18 Discsleuf** pagina 5
De disc plaatsen.
- 19 ▲ (uitwerpen) toets** pagina 5
De disc uitwerpen.

volg op volgende pagina →

Kaartafstandsbediening RM-X151



* Als er een CD/MD-wisselaar, HD-radiotuner of SAT-tuner is aangesloten: wanneer er op **(SOURCE)** wordt gedrukt, wordt het aangesloten apparaat ("MD", "HD", "XM" of "SR") op het scherm weergegeven, afhankelijk van het apparaat dat is aangesloten. Als er op **(MODE)** wordt gedrukt, kunt u bovendien de wisselaar, HD-radiotunerband of SAT-tunerband wijzigen. (Een HD-radiotuner of SAT-tuner kan alleen worden aangesloten op de CDX-H9051P.)

Opmerking

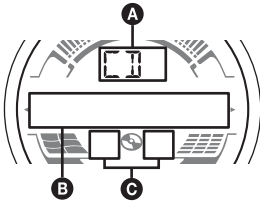
Als het apparaat wordt uitgeschakeld en het scherm verdwijnt, kan het apparaat niet worden bediend met de kaartafstandsbediening, tenzij op **(SOURCE)** op het apparaat wordt gedrukt of er een disc wordt geplaatst om het apparaat eerst te activeren.

De volgende toetsen op de kaartafstandsbediening verschillen van de toetsen op het apparaat of hebben andere functies dan de toetsen op het apparaat. Verwijder het beschermende laagje vóór gebruik (pagina 5).

- 20** **← (|←←|)/→ (|→→|) toetsen**
CD/radio/PD bedienen, dezelfde functie als **(SEEK) -/+** op het apparaat.
Instellingen, geluidsinstellingen, enzovoort kunnen worden geregeld met **← →**.
- 21** **VOL (volume) +/- toets**
Het volume aanpassen.
- 22** **ATT (dempen) toets**
Het geluid dempen. Druk nogmaals op de toets om te annuleren.
- 23** **↑ (+)/↓ (-) toetsen**
CD/PD bedienen, dezelfde functie als **(GP/ALBM) -/+** op het apparaat.
Instellingen, geluidsinstellingen, enzovoort kunnen worden geregeld met **↑ ↓**.
- 24** **SCRL (rollen) toets**
Het schermitem rollen.
- 25** **Cijfertoetsen**
De opgeslagen zenders ontvangen (indrukken); zenders opslaan (ingedrukt houden).

Zie pagina 15 voor meer informatie over het selecteren van een CD/MD-wisselaar.

Schermitems



- A** Bron
- B** Tracknummer/verstreken speelduur, disc-/artiestennaam, album-/groepsnummer*, album-/groepsnaam, tracknaam, tekstinformatie, klok
- C** ATRAC-/WMA-/MP3-/AAC-aanduiding

* Het album-/groepsnummer wordt alleen weergegeven als het album/de groep wordt gewijzigd.

Als u schermitems **B** wilt wijzigen, drukt u op **(DSPL)**.

Tip

De weergegeven items zijn afhankelijk van het discype, de opname-indeling en de instellingen. Zie pagina 18 voor meer informatie over MP3-/WMA-/AAC-bestanden en pagina 19 voor meer informatie over ATRAC CD's.

Herhaaldelijk en willekeurig afspelen

- 1** Druk tijdens het afspelen herhaaldelijk op **(3)** (REP) of **(4)** (SHUF) tot de gewenste instelling wordt weergegeven.

Selecteer	Actie
(3) TRACK	Track herhaaldelijk afspelen.
(3) ALBUM*¹	Album herhaaldelijk afspelen.
(3) GROUP*²	Groep herhaaldelijk afspelen.
SHUF ALBUM*¹	Album in willekeurige volgorde afspelen.
SHUF GROUP*²	Groep in willekeurige volgorde afspelen.
SHUF DISC	Disc in willekeurige volgorde afspelen.

*¹ Bij het afspelen van een MP3-/WMA-/AAC-bestand.

*² Bij het afspelen van een ATRAC CD.

Als u wilt terugkeren naar de normale weergavestand, selecteert u "**(3) OFF**" of "SHUF OFF".

Radio

Zenders opslaan en ontvangen

Let op

Als u afstemt op zenders tijdens het varen, moet u de BTM-functie (geheugen voor beste afstemming) gebruiken om ongelukken te vermijden.

Automatisch opslaan — BTM

- 1 Druk herhaaldelijk op (SOURCE) tot "TUNER" wordt weergegeven.**
Druk herhaaldelijk op (MODE) om de band te wijzigen.
- 2 Houd (SELECT) ingedrukt.**
Het installatievenster wordt weergegeven.
- 3 Druk herhaaldelijk op (SELECT) tot "BTM" wordt weergegeven.**
- 4 Druk op (SEEK) +.**
Het apparaat slaat de zenders in de volgorde van frequentie op onder de cijfertoetsen. Er klinkt een piepton wanneer de instelling is opgeslagen.

Opslaan met de BTM toets

(alleen CDX-H905IP)

Houd (BTM) ingedrukt tot "BTM" knippert in plaats van stap 2 tot en met 4 uit te voeren.

Handmatig opslaan

- 1 Als u de zender ontvangt die u wilt opslaan, houdt u een cijfertoets (1) tot en met (6) ingedrukt tot "MEM" wordt weergegeven.**
De aanduiding voor de cijfertoets verschijnt op het scherm.

Opmerking

Als u een andere zender opslaat onder dezelfde cijfertoets, wordt de eerder opgeslagen zender vervangen.

Tip

Als een RDS-zender wordt opgeslagen, wordt de AF-/TA-instelling ook opgeslagen (pagina 11). (alleen CDX-HR905IP)

De opgeslagen zenders ontvangen

- 1 Selecteer de band en druk vervolgens op een cijfertoets (1) tot en met (6).**

Automatisch afstemmen

- 1 Selecteer de band en druk op (SEEK) -/+ om de zender te zoeken.**

Het zoeken stopt zodra een zender wordt ontvangen. Herhaal deze procedure tot de gewenste zender wordt ontvangen.

Tip

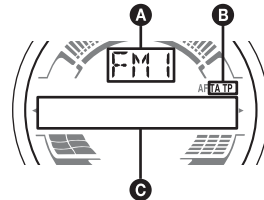
Als u de frequentie kent van de zender die u wilt beluisteren, houdt u (SEEK) -/+ ingedrukt tot de frequentie ongeveer is bereikt en drukt u vervolgens herhaaldelijk op (SEEK) -/+ om nauwkeurig af te stemmen op de gewenste frequentie (handmatig afstemmen).

RDS (CDX-HR905IP)

Overzicht

FM-zenders met de RDS-dienst (radiogegevenssysteem) sturen onhoorbare digitale informatie mee met het gewone radioprogrammasignaal.

Schermitems



- A** Radioband, functie
- B** TA/TP*¹
- C** Frequentie*² (programmaservicenaam), voorinstelnummer, klok, RDS-gegevens

*¹ "TA" knippert tijdens de verkeersinformatie. "TP" gaat branden als dergelijke zenders worden ontvangen.

² Als u de RDS-zender ontvangt, wordt "" links van de frequentieaanduiding weergegeven.

Als u de schermitems **C** wilt wijzigen, drukt u op (DSPL).

RDS-diensten

Dit apparaat biedt automatisch RDS-diensten op de volgende manier:

AF (alternatieve frequenties)

Hiermee wordt de zender met het sterkste signaal in een netwerk geselecteerd en wordt opnieuw op deze zender afgestemd. Als u deze functie gebruikt, kunt u onafgebroken naar hetzelfde programma luisteren tijdens een lange vaartocht zonder dat u steeds handmatig op dezelfde zender hoeft af te stemmen.

TA (verkeersinformatie)/

TP (verkeersprogramma)

Hiermee ontvangt u de huidige verkeersinformatie/-programma's. De huidige bron wordt onderbroken door eventuele verkeersinformatie/-programma's.

PTY (programmatypen)

Hiermee geeft u het ontvangen programmatype weer. Hiermee zoekt u ook naar het geselecteerde programmatype.

CT (kloktijd)

Met de CT-gegevens van de RDS-uitzending wordt de klok ingesteld.

Opmerkingen

- In bepaalde landen/regio's zijn wellicht niet alle RDS-functies beschikbaar.
- RDS functioneert wellicht niet als het ontvangstsignaal zwak is of als de zender waarop u hebt afgestemd, geen RDS-gegevens verzendt.

AF en TA instellen

1 Druk herhaaldelijk op (AF/TA) tot de gewenste instelling wordt weergegeven.

Selecteer	Actie
AF-ON	AF inschakelen en TA uitschakelen.
TA-ON	TA inschakelen en AF uitschakelen.
AF, TA-ON	AF en TA inschakelen.
AF, TA-OFF	AF en TA uitschakelen.

RDS-zenders met de AF- en TA-instelling opslaan

U kunt RDS-zenders vooraf instellen met de AF-/TA-instelling. Als u de BTM-functie gebruikt, worden alleen RDS-zenders met dezelfde AF-/TA-instelling opgeslagen. Als u handmatig vooraf instelt, kunt u zowel RDS- als niet-RDS-zenders instellen met elk hun AF-/TA-instelling.

1 Stel AF/TA in en sla de zender vervolgens met BTM of handmatig op.

Noodberichten ontvangen

Als AF of TA is ingeschakeld, wordt de geselecteerde bron automatisch onderbroken door de noodberichten.

Tip

Als u het volume aanpast tijdens een verkeersbericht, wordt dat volume opgeslagen in het geheugen voor volgende verkeersberichten, onafhankelijk van het normale volume.

Een regionaal programma beluisteren — REG

Als de AF-functie is ingeschakeld: met de fabrieksinstelling van het apparaat wordt ontvangst tot een bepaalde regio beperkt, zodat er niet automatisch wordt overgeschakeld naar een andere regionale zender met een sterkere frequentie.

Wanneer u het ontvangstgebied van het regionale programma verlaat, stelt u tijdens FM-ontvangst "REG-OFF" in bij de instellingen (pagina 15).

Opmerking

Deze functie werkt niet in het Verenigd Koninkrijk en bepaalde andere gebieden.

Local Link-functie (alleen voor het Verenigd Koninkrijk)

Met deze functie kunt u andere lokale zenders in het gebied selecteren, ook als deze niet zijn opgeslagen onder de cijfertoetsen.

- 1** Druk tijdens FM-ontvangst op een cijfertoets ((1) tot en met (6)) waaronder een lokale zender is opgeslagen.
- 2** Druk binnen 5 seconden nogmaals op de cijfertoets van de lokale zender. Herhaal dit tot de lokale zender wordt ontvangen.

PTY selecteren

1 Druk op (PTY) tijdens FM-ontvangst.



De naam van het huidige programmatype verschijnt als de zender PTY-gegevens uitzendt.

2 Druk herhaaldelijk op (PTY) tot het gewenste programmatype verschijnt.

3 Druk op (SEEK) +/-.

Het apparaat begint te zoeken naar een zender die het geselecteerde programmatype uitzendt.

vervolg op volgende pagina →

Programmatypen

NEWS (Nieuws), **AFFAIRS** (Actualiteiten), **INFO** (Informatie), **SPORT** (Sport), **EDUCATE** (Educatieve programma's), **DRAMA** (Toneel), **CULTURE** (Cultuur), **SCIENCE** (Wetenschap), **VARIED** (Diversen), **POP M** (Populaire muziek), **ROCK M** (Rock-muziek), **EASY M** (Easy Listening), **LIGHT M** (Licht klassiek), **CLASSICS** (Klassiek), **OTHER M** (Ander type muziek), **WEATHER** (Weerberichten), **FINANCE** (Financiën), **CHILDREN** (Kinderprogramma's), **SOCIAL A** (Sociale zaken), **RELIGION** (Religie), **PHONE IN** (Phone In), **TRAVEL** (Reizen), **LEISURE** (Ontspanning), **JAZZ** (Jazz-muziek), **COUNTRY** (Country-muziek), **NATION M** (Nationale muziek), **OLDIES** (Oldies), **FOLK M** (Folk-muziek), **DOCUMENT** (Documentaires)

Opmerking

U kunt deze functie niet gebruiken in bepaalde landen/regio's waar geen PTY-gegevens beschikbaar zijn.

CT instellen

1 Stel "CT-ON" in bij de instellingen (pagina 14).

Opmerkingen

- Het is mogelijk dat de CT-functie niet werkt, ook al wordt er wel een RDS-zender ontvangen.
- Er kan een verschil zijn tussen de tijd van de CT-functie en de werkelijke tijd.

iPod

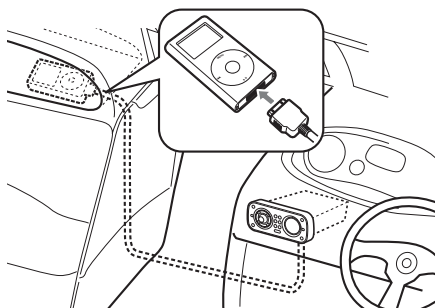
Een iPod afspelen

Door een iPod aan te sluiten op de dockconnector aan de achterkant van het apparaat, kunt u het geluid beluisteren via de luidsprekers van de boot, terwijl u de iPod bedient vanaf het apparaat.

Opmerkingen

- Wanneer een iPod is aangesloten op de dockconnector, kunnen er geen bewerkingen worden uitgevoerd op de iPod.
- Zet het volume van het apparaat zachter voordat u de iPod aansluit op de dockconnector.
- Als u de dockconnector niet gebruikt, kunt u met de bijgeleverde afdekplug voor de dockconnector voorkomen dat er water in de aansluiting komt.

Tracks afspelen



1 Sluit de iPod aan op de dockconnector.

De iPod wordt automatisch ingeschakeld en het scherm van de iPod ziet er als volgt uit.



2 Druk herhaaldelijk op **(SOURCE)** tot "PD" wordt weergegeven.

"PD 1 PORTABLE" wordt weergegeven en de tracks op de iPod worden automatisch afgespeeld vanaf het laatst afgespeelde punt.

3 Druk op **(MODE)** om de weergavestand te kiezen.

De stand wordt als volgt gewijzigd:
RESUMING → ALBUM → ARTIST → PLAYLIST

4 Pas het volume aan.

Druk op **(OFF)** om het afspelen te stoppen.

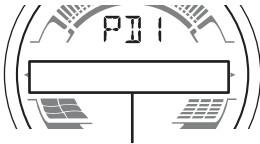
Tips

- Wanneer de iPod is aangesloten op de dockconnector, wordt de stand gewijzigd in de stand Resuming. Als u in de stand Resuming op (3) (Herhalen), (4) (Afspelen in willekeurige volgorde) of (5) (Scannen) drukt, gebeurt er niets. Als u de stand Resuming annuleert door op (MODE) of (1)/(2) (GP/ALBM -/+) te drukken, kunt u met (3) (Herhalen), (4) (Afspelen in willekeurige volgorde) of (5) (Scannen) nu wel de weergavestand wijzigen.
- Wanneer de contactsleutel in de ACC-positie is gezet, of het apparaat is ingeschakeld, wordt de iPod opgeladen.
- Als de iPod tijdens het afspelen wordt losgekoppeld, wordt het afspelen onderbroken.

Opmerking

Er kan geen extra iPod worden aangesloten met de XA-110IP of XA-120IP.

Schermitems



Track-/album-/artiestennaam,
tracknummer, verstreken speelduur, klok

Als u de schermitems wilt wijzigen, drukt u op (DSPL).

Opmerking

Het is mogelijk dat sommige letters die zijn opgeslagen in de iPod niet juist worden weergegeven.

De weergavestand instellen

Album, artiest of afspeellijst selecteren

- 1 Druk tijdens het afspelen op (MODE).
De stand wordt als volgt gewijzigd:
ALBUM → ARTIST → PLAYLIST

Albums, artiesten en afspeellijsten overslaan

Actie	Toets
Overslaan	(1)/(2) (GP/ALBM -/+) [één keer drukken voor elk item]
Blijven overslaan	(1)/(2) (GP/ALBM -/+) [ingedrukt houden tot gewenst punt]

Herhaaldelijk en willekeurig afspelen

- 1 Druk tijdens het afspelen herhaaldelijk op (3) (REP) of (4) (SHUF) tot de gewenste instelling wordt weergegeven.

Selecteer	Actie
REP TRK	Track herhaaldelijk afspelen.
REP ALB	Album herhaaldelijk afspelen.
REP ART	Artiest herhaaldelijk afspelen.
REP PLY	Afspeellijst herhaaldelijk afspelen.
SHUF ALB	Album in willekeurige volgorde afspelen.
SHUF ART	Artiest in willekeurige volgorde afspelen.
SHUF PLY	Afspeellijst in willekeurige volgorde afspelen.
SHUF ALL	Alle tracks in willekeurige volgorde afspelen.

Als u wilt terugkeren naar de normale weergavestand, selecteert u "REP OFF" of "SHUF OFF".

Opmerking

De toetsen (1)/(2) (GP/ALBM -/+) werken niet tijdens afspelen in willekeurige volgorde.

Scannen

U kunt snel een bepaald punt vinden op de iPod.

- 1 Druk tijdens het afspelen herhaaldelijk op (5) tot "SCAN ON" wordt weergegeven.
Van elke track wordt de eerste 10 seconden afgespeeld.

Selecteer "SCAN OFF" om terug te keren naar de normale weergavestand.

Opmerking

Deze functie werkt niet tijdens afspelen in willekeurige volgorde.

Overige functies

De geluidsinstellingen wijzigen

De geluidskenmerken aanpassen — BAL/FAD/SUB

U kunt de balans, de fader en het subwoofervolume regelen.

1 Druk herhaaldelijk op **(SELECT) tot "BAL", "FAD" of "SUB" wordt weergegeven.**

Het item wordt als volgt gewijzigd:

LOW*1 → **MID***1 → **HI***1 →
BAL (links-rechts) → **FAD** (voor-achter) →
SUB (subwoofervolume)*2 → **AUX***3

*1 Als EQ3 is ingeschakeld (pagina 14).

*2 Als de audio-uitvoer is ingesteld op "SUB" (pagina 15).

"ATT" wordt weergegeven bij de laagste instelling en u kunt deze instelling maximaal 21 stappen aanpassen.

*3 Als AUX-bron is ingeschakeld (pagina 17).

2 Draai de volumeknop om het geselecteerde item aan te passen.

Na 3 seconden is het instellen voltooid en keert het scherm terug naar de normale weergave-/ontvangststand.

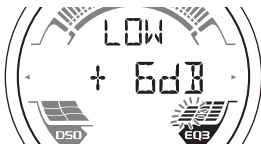
De equalizercurve aanpassen — EQ3

Met "CUSTOM" bij EQ3 kunt u zelf equalizerinstellingen opgeven.

1 Selecteer een bron en druk herhaaldelijk op **(EQ3) om "CUSTOM" te selecteren.**

2 Druk herhaaldelijk op **(SELECT) tot "LOW", "MID" of "HI" wordt weergegeven.**

3 Draai de volumeknop om het geselecteerde item aan te passen.
Het volume kan worden aangepast in stappen van 1 dB, van -10 dB tot +10 dB.



Herhaal stap 2 en 3 om de equalizercurve aan te passen.

Als u de fabrieksinstelling voor de equalizercurve wilt herstellen, houdt u **(SELECT)** ingedrukt voordat het instellen is voltooid.

Na 3 seconden is het instellen voltooid en keert het scherm terug naar de normale weergave-/ontvangststand.

Tip

Andere equalizertypen kunnen ook worden aangepast.

Instelitems aanpassen — SET

1 Houd **(SELECT) ingedrukt.**

Het installatievenster wordt weergegeven.

2 Druk herhaaldelijk op **(SELECT) tot het gewenste item wordt weergegeven.**

3 Draai de volumeknop om de instelling (bijvoorbeeld "ON" of "OFF") te selecteren.

4 Houd **(SELECT) ingedrukt.**

Het instellen is voltooid en het scherm keert terug naar de normale weergave-/ontvangststand.

Opmerking

De weergegeven items zijn afhankelijk van de bron en de instelling.

De volgende items kunnen worden ingesteld (volg de paginaverwijzing voor meer informatie):
"●" geeft de standaardinstellingen aan.

CLOCK-ADJ (klok aanpassen) (pagina 5)

CT*1 (kloktijd)

"CT-ON" of "CT-OFF" (●) instellen (pagina 11, 12).

BEEP

"BEEP-ON" (●) of "BEEP-OFF" instellen.

AUX-A*2 (AUX-audio)

Het AUX-bronscherm instellen op "AUX-A-ON" (●) of "AUX-A-OFF" (pagina 17).

A.OFF (automatisch uitschakelen)

Automatisch volledig uitschakelen na de gewenste tijd wanneer het apparaat is uitgeschakeld: "A.OFF-NO" (●), "A.OFF-30S (seconden)", "A.OFF-30M (minuten)" of "A.OFF-60M (minuten)".

REAR/SUB*2

- De audio-uitvoer wijzigen.
- "REAR-OUT" (●): het geluid via een versterker weergeven.
 - "SUB-OUT": het geluid via een subwoofer weergeven.

DEMO (demonstratie)

"DEMO-ON" (●) of "DEMO-OFF" instellen.

DIM (dimmer)

- De helderheid van het scherm regelen.
- "DIM-AT" (●): om het scherm automatisch te dimmen wanneer u de lichten inschakelt.
 - "DIM-OFF": om de dimmer uit te schakelen.
 - "DIM-ON": om het scherm te dimmen.

CONTRAST

Het contrast van het scherm aanpassen.
Het contrastniveau kan worden aangepast in 7 stappen.

ILM (verlichting)

De kleur van de verlichting wijzigen: "ILM-1" (●) of "ILM-2".

M.DSPL (beweging scherm)

- De stand voor de beweging van het scherm selecteren.
- "M.DSPL-LM" (●): bewegende patronen en de niveaumeter weergeven.
 - "M.DSPL-OFF": de beweging van het scherm uitschakelen.
 - "M.DSPL-ON": bewegende patronen weergeven.

A.SCRL (automatisch rollen)

- Lange schermitems automatisch laten rollen als de disc/groep/track of het album wordt gewijzigd.
- "A.SCRL-ON" (●): om items te rollen.
 - "A.SCRL-OFF": om items niet te rollen.

LOCAL (lokale zoekfunctie)

- "LOCAL-OFF" (●): om af te stemmen met normale ontvangst.
- "LOCAL-ON": om alleen af te stemmen op krachtige zenders.

MONO*3 (monostand)

- Selecteer de mono-ontvangststand als u slechte FM-ontvangst wilt verbeteren.
- "MONO-OFF" (●): om stereo-uitzendingen in stereo te horen.
 - "MONO-ON": om stereo-uitzendingen in mono te horen.

REG*1*3 (regionaal)

"REG-ON" (●) of "REG-OFF" instellen (pagina 11).

LPF*4 (laagdoorlaatfilter)

Hiermee selecteert u de kantelfrequentie van de subwoofer: "LPF OFF" (●), "LPF 125Hz" of "LPF 78Hz".

LOUD (Loudness)

- Hiermee kunt u het geluid goed horen met een laag volume.
- "LOUD-ON": om hoge en lage tonen te versterken.
 - "LOUD-OFF" (●): om hoge en lage tonen niet te versterken.

BTM (pagina 10)

*1 Alleen CDX-HR9051P

*2 Als het apparaat is uitgeschakeld.

*3 Als FM wordt ontvangen.

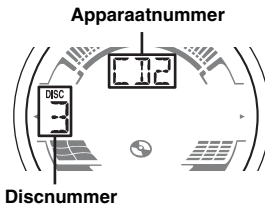
*4 Als de audio-uitvoer is ingesteld op "SUB".

Optionele apparaten gebruiken

CD/MD-wisselaar

De wisselaar selecteren

- 1 Druk herhaaldelijk op **(SOURCE)** tot "CD" of "MD" wordt weergegeven.
- 2 Druk herhaaldelijk op **(MODE)** tot de gewenste wisselaar wordt weergegeven.



Het afspelen wordt gestart.

vervolg op volgende pagina →

Albums en discs overslaan

- 1 Druk tijdens het afspelen op (1)/(2) (GP/ALBM -/+).

Actie	Druk op (1)/(2) (GP/ALBM -/+)
Album overslaan	en laat los (kort ingedrukt houden).
Albums blijven overslaan	binnen 2 seconden nadat u deze hebt losgelaten.
Discs overslaan	herhaaldelijk.
Discs blijven overslaan	en druk binnen 2 seconden weer op de toets en houd deze ingedrukt.

Herhaaldelijk en willekeurig afspelen

- 1 Druk tijdens het afspelen herhaaldelijk op (3) (REP) of (4) (SHUF) tot de gewenste instelling wordt weergegeven.

Selecteer	Actie
↶ DISC	Een disc herhaaldelijk afspelen.
SHUF CHANGER	Tracks in de wisselaar in willekeurige volgorde afspelen.
SHUF ALL*	Tracks in alle apparaten in willekeurige volgorde afspelen.

* Als een of meer CD-wisselaars of twee of meer MD-wisselaars zijn aangesloten.

Als u wilt terugkeren naar de normale weergavestand, selecteert u "↶ OFF" of "SHUF OFF".

Tip

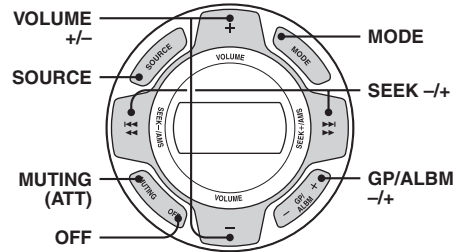
Met "SHUF ALL" kunt u tracks niet in willekeurige volgorde afspelen tussen CD-apparaten en MD-wisselaars.

Maritieme kaartafstandsbediening RM-X55M/X11M

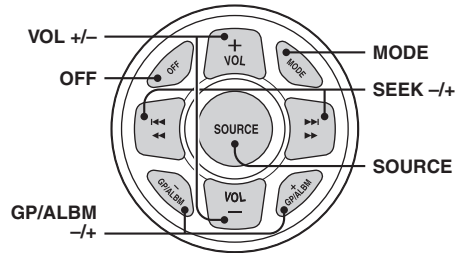
Bedieningselementen

De overeenkomstige toetsen op de maritieme kaartafstandsbediening bedienen dezelfde functies als die op het apparaat.

RM-X55M



RM-X11M



De volgende bedieningselementen op de maritieme kaartafstandsbediening moeten op een andere manier worden bediend dan op het apparaat.

- **VOLUME (VOL) +/- toets(en)**
Dezelfde functie als de volumeknop op het apparaat.
- **MUTING toets**
Het geluid dempen. (Dezelfde functie als (ATT) op de kaartafstandsbediening.)

Randapparatuur voor audio

Door een optioneel draagbaar audioapparaat aan te sluiten op de AUX IN-aansluiting op het apparaat en vervolgens de bron te selecteren, kunt u het audioapparaat beluisteren via de luidsprekers van de boot. Het volume kan worden aangepast voor elk verschil tussen het apparaat en het draagbare audioapparaat. Volg de onderstaande procedure:

Het volume aanpassen

Pas het volume voor elk aangesloten audioapparaat aan voordat u het afspelen start.

- 1 Verlaag het volume op het apparaat.
- 2 Druk herhaaldelijk op **(SOURCE)** tot "AUX" wordt weergegeven.
"AUX REAR IN" wordt weergegeven.
- 3 Start het afspelen op het draagbare audioapparaat met een normaal volume.
- 4 Stel uw gebruikelijke luistervolume in op het apparaat.
- 5 Druk herhaaldelijk op **(SELECT)** tot "AUX" wordt weergegeven en draai de volumeknop om het ingangsniveau aan te passen (-8 dB tot +18 dB).

Aanvullende informatie

Vorzorgsmaatregelen

- Wanneer uw boot in de volle zon heeft gelegen, moet u eerst het apparaat laten afkoelen voordat u het gebruikt.
- Een elektrisch bediende antenne schuift automatisch uit wanneer het apparaat wordt ingeschakeld.

Condensvorming

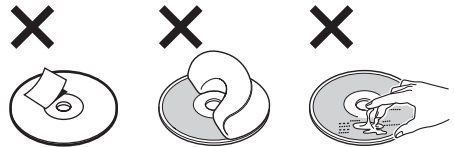
Op een regenachtige dag of in een zeer vochtige omgeving kan vocht condenseren op de lenzen en het scherm van het apparaat. In dit geval kan de werking van het apparaat worden verstoord. Verwijder de disc en wacht ongeveer een uur tot alle vocht is verdampd.

Optimale geluidskwaliteit behouden

Let op dat u geen drankjes op het apparaat of de discs morst.

Opmerkingen over discs

- Raak het oppervlak van de disc niet aan zodat dit schoon blijft. Pak de disc bij de randen vast.
- Bewaar de discs in het doosje of het discmagazijn wanneer u deze niet gebruikt.
- Stel discs niet bloot aan hitte/hoge temperaturen. Laat geen discs achter in een aangemeerde boot.
- Plak geen etiketten op de discs en gebruik geen discs met kleverige inkt/resten. Dergelijke discs kunnen stoppen met draaien, waardoor de werking wordt verstoord of de disc kan worden beschadigd.



- Gebruik geen discs waarop stickers zijn geplakt. Als u dergelijke discs toch gebruikt, kan dat leiden tot:
 - het niet uitwerpen van een disc (doordat een sticker losraakt en het uitwerpmechanisme wordt geblokkeerd);
 - het niet correct lezen van audiogegevens (bijvoorbeeld geluid verspringt of wordt niet afgespeeld) doordat de sticker onder invloed van de warmte krimpt en de disc krom trekt.
- Discs met afwijkende vormen (bijvoorbeeld hart, vierkant, ster) kunnen niet met dit apparaat worden afgespeeld. Als u dit toch probeert, kan het apparaat worden beschadigd. Gebruik dergelijke discs niet.
- U kunt 8-cm CD's niet afspelen.

vervolg op volgende pagina →

- Reinig een disc voor het afspelen altijd met een in de handel verkrijgbare reinigingsdoek. Veeg de disc van binnen naar buiten schoon. Gebruik geen oplosmiddelen zoals benzine, thinner en in de handel verkrijgbare reinigingsmiddelen of antistatische sprays voor grammofoonplaten.



Opmerkingen over CD-R's/CD-RW's

- Sommige CD-R's/CD-RW's (afhankelijk van de opnameapparatuur of de staat van de disc) kunnen niet met dit apparaat worden afgespeeld.
- U kunt geen CD-R/CD-RW afspelen die niet is gefinaliseerd.
- Het apparaat is compatibel met het ISO 9660 level 1/level 2-formaat, Joliet/Romeo in expansieformaat en Multi Session (meerdere sessies).
- Maximum aantal:
 - mappen (albums): 150 (inclusief hoofdmap en lege mappen).
 - bestanden (tracks) en mappen op een disc: 300 (als de naam van een bestand/map veel tekens bevat, kan dit aantal minder dan 300 worden).
 - tekens dat kan worden weergegeven voor de naam van een map/bestand is 32 (Joliet) of 64 (Romeo).
- Als de disc in Multi Session (meerdere sessies) is opgenomen, wordt alleen de indeling van de eerste track van de eerste sessie herkend en afgespeeld (alle andere indelingen worden overgeslagen). De prioriteitsvolgorde van de indeling is CD-DA, ATRAC CD en MP3/WMA/AAC.
 - Als de eerste track CD-DA is, wordt alleen CD-DA van de eerste sessie afgespeeld.
 - Als de eerste track niet de CD-DA-indeling heeft, worden alleen bestanden met ATRAC CD- of MP3-/WMA-/AAC-indeling afgespeeld. Als de disc geen gegevens met deze indelingen bevat, wordt "NO MUSIC" weergegeven.

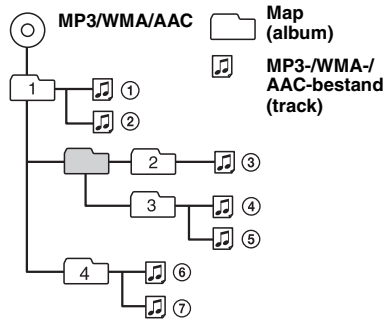
Muziekdiscs die zijn gecodeerd met copyrightbeveiligingstechnologieën

Dit product is ontworpen om discs af te spelen die voldoen aan de CD-norm (Compact Disc). Recentelijk hebben bepaalde platenmaatschappijen discs op de markt gebracht die zijn gecodeerd met copyrightbeveiligingstechnologieën. Sommige van deze discs voldoen niet aan de CD-norm en kunnen wellicht niet worden afgespeeld met dit apparaat.

Bericht over DualDiscs

Een DualDisc is een tweezijdige disc, waarop aan de ene kant DVD-materiaal is opgenomen en aan de andere kant digitaal audiomateriaal. Echter, aangezien de kant met het audiomateriaal niet voldoet aan de Compact Disc (CD)-norm, wordt een juiste weergave op dit apparaat niet gegarandeerd.

Af speelvolgorde van MP3-/WMA-/AAC-bestanden



Informatie over MP3-bestanden

- MP3 (MPEG-1 Audio Layer-3) is een compressie-indeling voor muziekbestanden. Audio-CD-gegevens worden gecomprimeerd tot ongeveer 1/10 van de oorspronkelijke grootte.
- ID3-tag versies 1.0, 1.1, 2.2, 2.3 en 2.4 gelden alleen voor MP3. ID3-tag is 15/30 tekens (1.0 en 1.1) of 63/126 tekens (2.2, 2.3 en 2.4).
- Wanneer u een MP3-bestand een naam geeft, moet u altijd de extensie ".mp3" aan de bestandsnaam toevoegen.
- Als u een MP3-bestand met VBR (variabele bitsnelheid) afspeelt of snel vooruit-/terugspoelt, wordt de verstreken speelduur wellicht niet nauwkeurig weergegeven.

Informatie over WMA-bestanden

- WMA (Windows Media Audio) is een compressie-indeling voor muziekbestanden. Audio-CD-gegevens worden gecomprimeerd tot ongeveer 1/22* van de oorspronkelijke grootte.
- WMA-tag is 63 tekens.
- Wanneer u een WMA-bestand een naam geeft, moet u altijd de extensie ".wma" aan de bestandsnaam toevoegen.
- Als u een WMA-bestand met VBR (variabele bitsnelheid) afspeelt of snel vooruit-/terugspoelt, wordt de verstreken speelduur wellicht niet nauwkeurig weergegeven.

* Alleen voor 64 kbps

Opmerking over WMA

Het afspelen van de volgende WMA-bestanden wordt niet ondersteund.

- compressie zonder gegevensverlies (lossless)
- auteursrechtelijk beveiligd

Informatie over AAC-bestanden

- AAC (Advanced Audio Coding) is een compressie-indeling voor muziekbestanden. Audio-CD-gegevens worden gecompriemd tot ongeveer 1/11e* van de oorspronkelijke grootte.
- Voor AAC-tag geldt een maximum van 126 tekens.
- Wanneer u een AAC-bestand een naam geeft, moet u altijd de extensie ".m4a" aan de bestandsnaam toevoegen.
- Als u een AAC-bestand met VBR (variabele bitsnelheid) afspeelt of snel vooruit-/terugspoelt, wordt de verstrekken speelduur wellicht niet nauwkeurig weergegeven.

* Alleen voor 128 kbps

Opmerking over AAC

Het afspelen van auteursrechtelijk beveiligde bestanden wordt niet ondersteund.

Informatie over ATRAC CD's

ATRAC3plus-indeling

ATRAC3 (Adaptive Transform Acoustic Coding3) is een compressietechnologie voor audio. Audio-CD-gegevens worden gecompriemd tot ongeveer 1/10 van de oorspronkelijke grootte. Met ATRAC3plus, een uitgebreide indeling van ATRAC3, worden audio-CD-gegevens tot ongeveer 1/20e van de oorspronkelijke grootte gecompriemd. Zowel de indeling ATRAC3 als ATRAC3plus is geschikt voor het apparaat.

ATRAC CD

Op een ATRAC CD zijn audio-CD-gegevens opgenomen die zijn gecompriemd tot ATRAC3- of ATRAC3plus-indeling met geautoriseerde software, zoals SonicStage 2.0 of hoger of SonicStage Simple Burner.

- Maximum aantal:
 - mappen (groepen): 255
 - bestanden (tracks): 999
- De tekens voor een map-/bestandsnaam en de tekstinformatie van SonicStage worden weergegeven.

Raadpleeg de handleiding van SonicStage of SonicStage Simple Burner voor meer informatie over de ATRAC CD.

Opmerking

Maak de ATRAC CD met geautoriseerde software, zoals SonicStage 2.0 of hoger of SonicStage Simple Burner 1.0 of 1.1.

Informatie over iPod

Dit apparaat kan worden gebruikt met het type dockconnector iPod, iPod photo, iPod mini en iPod nano met de volgende softwareversies. De werking met alle andere, eerdere versies kan niet worden gegarandeerd.

- Derde generatie iPod: Ver.2.3.0
- Vierde generatie iPod: Ver.3.1.1
- Vijfde generatie iPod: Ver.1.2
- iPod photo: Ver.1.2.1
- iPod mini: Ver.1.4.1
- Eerste generatie iPod nano: Ver.1.3
- Tweede generatie iPod nano: Ver.1.1 (videofunctie van vijfde generatie iPod en fotofunctie van iPod photo worden niet ondersteund).

Klanten in de Verenigde Staten kunnen op de volgende site meer informatie lezen: <http://www.xplodsony.com>

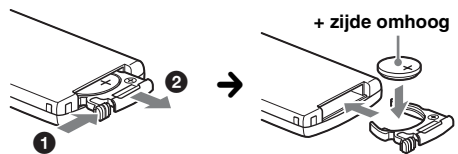
Met alle vragen of problemen met betrekking tot dit apparaat die niet aan bod komen in deze gebruiksaanwijzing, kunt u terecht bij uw Sony-handelaar.

Onderhoud

De lithiumbatterij van de kaartafstandsbediening vervangen

Onder normale omstandigheden gaat de batterij ongeveer 1 jaar mee. (Afhankelijk van de gebruiksomstandigheden kan de levensduur korter zijn.)

Wanneer de batterij verzwakt, wordt het bereik van de kaartafstandsbediening kleiner. Vervang de batterij door een nieuwe CR2025-lithiumbatterij. Bij een andere batterij bestaat er brand- of explosiegevaar.



Opmerkingen over de lithiumbatterij

- Houd de lithiumbatterij buiten het bereik van kinderen. Raadpleeg meteen een arts wanneer een batterij wordt ingeslikt.
- Veeg de batterij schoon met een droge doek voor een goed contact.
- Houd bij het plaatsen van de batterij rekening met de juiste polariteit.
- Houd de batterij niet vast met een metalen tang om kortsluiting te voorkomen.

volg op volgende pagina →

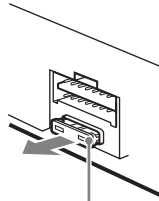
WAARSCHUWING

Bij oneigenlijk gebruik kan de batterij ontploffen.

Probeer niet de batterij op te laden of te openen; werp ook een lege batterij nooit in het vuur.

Zekeringen vervangen

Vervang een zekering altijd door een identiek exemplaar. Als de zekering doorbrandt, moet u de voedingsaansluiting controleren en de zekering vervangen. Brandt de zekering vervolgens nogmaals door, dan kan er sprake zijn van een defect in het apparaat. Raadpleeg in dat geval de dichtstbijzijnde Sony-handelaar.



Zekering (10 A)

Technische gegevens

CD-speler

Signaal/ruis-afstand: 120 dB

Frequentiebereik: 10 – 20.000 Hz

Snelheidsfluctuaties: Minder dan meetbare waarden

Tuner

CDX-H905IP:

FM

Afstembereik:

87,5 – 108,0 MHz (bij stappen van 50 kHz)

87,5 – 107,9 MHz (bij stappen van 200 kHz)

FM-afsteminterval: Schakelen tussen 50 kHz/200 kHz

Antenne-aansluiting:

Aansluiting voor externe antenne

Tussenfrequentie: 10,7 MHz/450 kHz

Bruikbare gevoeligheid: 9 dBf

Selectiviteit: 75 dB bij 400 kHz

Signaal/ruis-afstand: 67 dB (stereo), 69 dB (mono)

Harmonische vervorming bij 1 kHz: 0,5 % (stereo), 0,3 % (mono)

Scheiding: 35 dB bij 1 kHz

Frequentiebereik: 30 – 15.000 Hz

AM

Afstembereik:

531 – 1.602 kHz (bij stappen van 9 kHz)

530 – 1.710 kHz (bij stappen van 10 kHz)

AM-afsteminterval: Schakelen tussen 9 kHz/10 kHz

Antenne-aansluiting:

Aansluiting voor externe antenne

Tussenfrequentie: 10,7 MHz/450 kHz

Gevoeligheid: 30 μ V

CDX-HR905IP:

FM

Afstembereik: 87,5 – 108,0 MHz

Antenne-aansluiting:

Aansluiting voor externe antenne

Tussenfrequentie: 10,7 MHz/450 kHz

Bruikbare gevoeligheid: 9 dBf

Selectiviteit: 75 dB bij 400 kHz

Signaal/ruis-afstand: 67 dB (stereo), 69 dB (mono)

Harmonische vervorming bij 1 kHz: 0,5 % (stereo), 0,3 % (mono)

Scheiding: 35 dB bij 1 kHz

Frequentiebereik: 30 – 15.000 Hz

MW/LW

Afstembereik:

MW: 531 – 1.602 kHz

LW: 153 – 279 kHz

Antenne-aansluiting:

Aansluiting voor externe antenne

Tussenfrequentie: 10,7 MHz/450 kHz

Gevoeligheid: MW: 30 μ V, LW: 40 μ V

Versterker

Uitgangen: Luidsprekeruitgangen (sure seal)

Luidsprekerimpedantie: 4 – 8 ohm

Maximaal uitgangsvermogen: 52 W \times 4 (bij 4 ohm)

Algemeen

Uitgangen:

Audio-uitgang (voor, schakelen tussen subwoofer/achter)

Relaisaansluiting elektrische antenne

Aansluiting versterker

Ingangen:

Telephone ATT-bedieningsaansluiting

Verlichtingsstuuraansluiting

BUS-bedieningsingang

BUS-audio-ingang

Afstandsbedieningsingang

Antenne-ingang

AUX-ingang

iPod-signaalingang (dockconnector)

Toonregelingen:

Laag: \pm 10 dB bij 60 Hz (XPLOD)

Midden: \pm 10 dB bij 1 kHz (XPLOD)

Hoog: \pm 10 dB bij 10 kHz (XPLOD)

Voeding:

12 V gelijkstroom accu

(negatieve aarde)

Afmetingen:

Ongeveer 197 \times 89 \times 187 mm

(b/h/d)

Montageafmetingen:

Ongeveer 181 \times 52 \times 144 mm

(b/h/d)

Gewicht:

Ongeveer 1,8 kg

Bijgeleverde accessoires:

Kaartafstandsbediening: RM-X151

Onderdelen voor installatie en aansluitingen (1 set)

Optionele accessoires/apparaten*:

Maritieme kaartafstandsbediening: RM-X55M, RM-X11M
BUS-kabel (geleverd met een RCA-kabel):
RC-61 (1 m), RC-62 (2 m)
CD-wisselaar (10 discs): CDX-757MX
CD-wisselaar (6 discs): CDX-T70MX, CDX-T69
Bronkeuzeschakelaar: XA-C40
AUX-IN-keuzeschakelaar: XA-300
voor CDX-H9051P
HD Radio™ tuner: XT-100HD

* *Andere accessoires/apparaten dan de maritieme afstandsbediening RM-X55M/X11M zijn niet waterdicht. Stel ze niet bloot aan water.*

Het is mogelijk dat niet alle vermelde accessoires verkrijgbaar zijn bij uw Sony-handelaar. Neem contact op met uw Sony-handelaar voor meer informatie.

Octrooien in de Verenigde Staten en in andere landen vallen onder de licentie van Dolby Laboratories.

MPEG Layer-3 audio-codeertechnologie en -patenten gebruikt onder licentie van Fraunhofer IIS en Thomson.

Dit product wordt beschermd door bepaalde intellectuele eigendomsrechten van Microsoft Corporation. Het gebruik of de verspreiding van dergelijke technologie buiten dit product om is verboden zonder een licentie van Microsoft of een erkend dochterbedrijf van Microsoft.

Opmerking

Dit apparaat kan niet worden aangesloten op een digitale voorversterker of een equalizer die compatibel is met het Sony BUS-systeem.

Wijzigingen in ontwerp en technische gegevens voorbehouden zonder voorafgaande kennisgeving.



- Er werden geen halogene brandvertragende producten gebruikt in de betreffende printplaat/printplaten.
- In het omhulsel werden geen halogeen bevattende brandvertragende producten gebruikt.
- Als beschermings- en opvulmateriaal werd er papier gebruikt.

Problemen oplossen

De onderstaande controlelijst kan u helpen bij het oplossen van problemen die zich met het apparaat kunnen voordoen.

Voordat u de onderstaande controlelijst doorneemt, moet u eerst de aanwijzingen voor aansluiting en gebruik controleren.

Algemeen

Het apparaat wordt niet van stroom voorzien.

- Controleer de aansluiting. Controleer de zekering wanneer alles in orde is.
- Als het apparaat wordt uitgeschakeld en het scherm verdwijnt, kan het apparaat niet worden bediend met de afstandsbediening.
→ Schakel het apparaat in.

De elektrisch bediende antenne schuift niet uit.

De elektrisch bediende antenne heeft geen relaisdoos.

Geen geluid.

- Het volume is te laag.
- De ATT-functie is ingeschakeld of de Telephone ATT-functie (als de interfacekabel of een telefoon is aangesloten op de ATT-kabel) is ingeschakeld.
- De positie van de faderregelaar "FAD" is niet ingesteld op een systeem met 2 luidsprekers.
- De CD-wisselaar is niet compatibel met de discindeling (MP3/WMA/AAC/ATRAC CD).
→ Speel het bestand af met een CD-wisselaar van Sony die compatibel is met MP3 of speel het af met dit apparaat.

Geen pieptoon.

- De pieptoon is uitgeschakeld (pagina 14).
- Er is een optionele versterker aangesloten en u gebruikt de ingebouwde versterker niet.

De geheugeninhoud is gewist.

- De RESET toets is ingedrukt.
→ Sla opnieuw op in het geheugen.
- De voedingskabel of de accu is losgekoppeld.
- De voedingskabel is niet goed aangesloten.

Opgeslagen zenders en tijd zijn gewist.

De zekering is doorgebrand.

Maakt geluid wanneer de positie van de contactsleutel wordt gewijzigd.

De kabels zijn niet goed verbonden met de voedingsaansluiting voor accessoires van de boot.

Tijdens het afspelen of radio-ontvangst wordt de demonstratie gestart.

Als er 5 minuten geen handeling wordt uitgevoerd en "DEMO-ON" is ingesteld, wordt de demonstratie gestart.

→ Stel "DEMO-OFF" in (pagina 15).

vervolg op volgende pagina →

Het scherm verdwijnt van/verschijnt niet in het weergavevenster.

- De dimmer is ingesteld op "DIM-ON" (pagina 15).
- Het scherm verdwijnt als u op **(OFF)** drukt en deze toets ingedrukt houdt.
 - Druk op **(OFF)** op het apparaat en houd deze toets ingedrukt tot het scherm verschijnt.

De functie voor automatisch uitschakelen werkt niet.

Het apparaat is ingeschakeld. De functie voor het automatisch uitschakelen wordt geactiveerd nadat het apparaat is uitgeschakeld.
→ Schakel het apparaat uit.

De kaartafstandsbediening werkt niet.

Controleer of het beschermende laagje is verwijderd (pagina 5).

DSO werkt niet.

DSO heeft wellicht niet het gewenste effect, afhankelijk van het interieur van de boot of het muziekgenre.

CD's/MD's afspelen

De disc kan niet worden geplaatst.

- Er zit al een disc in het apparaat.
- De disc is met kracht omgekeerd of in de verkeerde richting geplaatst.

De disc wordt niet afgespeeld.

- Disc defect of vuil.
- De CD-R's/CD-RW's zijn niet geschikt voor audiogebruik (pagina 18).
- De discindeling en bestandsversie zijn niet compatibel met dit apparaat (zie pagina 4 en 18 voor meer informatie).

MP3-/WMA-/AAC-bestanden worden minder snel afgespeeld dan andere bestanden.

Bij de volgende discs duurt het langer voordat het afspelen wordt gestart:
– discs opgenomen met een ingewikkelde structuur.
– discs die in meerdere sessies zijn opgenomen.
– discs waaraan gegevens kunnen worden toegevoegd.

De ATRAC CD kan niet worden afgespeeld.

- De disc is niet gemaakt met geautoriseerde software, zoals SonicStage of SonicStage Simple Burner.
- Tracks die niet in de groep staan, kunnen niet worden afgespeeld.

De schermitems rollen niet.

- Bij sommige discs met heel veel tekens kunnen de tekens niet rollen.
- "A.SCRL" is ingesteld op "OFF".
 - Stel "A.SCRL-ON" in (pagina 15) of druk op **(SCRL)**.

Het geluid verspringt.

- Het apparaat is niet goed geïnstalleerd.
 - Installeer het apparaat onder een hoek van minder dan 45° op een stabiele plaats in de boot.
- Disc defect of vuil.

De bedieningstoetsen werken niet.

De disc wordt niet uitgeworpen.

Druk op de RESET toets (pagina 5).

Radio-ontvangst

De zenders kunnen niet worden ontvangen.

Het geluid is gestoord.

- Sluit de bedieningskabel van de elektrische antenne (blauw) of voedingskabel voor accessoires (rood) aan op de voedingskabel van de boot-antenneversterker (alleen als uw boot is uitgerust met een ingebouwde antenne).
- Controleer de aansluiting van de boot-antenne.
- De automatische antenne schuift niet uit.
 - Controleer de aansluiting van de antennebedieningskabel.
- Controleer de frequentie.
- Als de DSO-functie is ingeschakeld, is het geluid soms gestoord.
 - Stel DSO in op "OFF" (pagina 7).

Er kan niet worden afgestemd op voorkeuzenders.

- Sla de juiste frequentie op in het geheugen.
- Het ontvangstsignaal is te zwak.

Er kan niet automatisch worden afgestemd op zenders.

- De lokale zoekfunctie is niet correct ingesteld.
 - Het afstemmen wordt te vaak onderbroken:
 - Stel "LOCAL-ON" in (pagina 15).
 - Het afstemmen stopt niet bij een zender:
 - Stel "MONO-ON" in (pagina 15).
- Het ontvangstsignaal is te zwak.
 - Stem handmatig af.

Tijdens FM-ontvangst knippert de aanduiding "ST".

- Stem nauwkeurig af op de frequentie.
- Het ontvangstsignaal is te zwak.
 - Stel "MONO-ON" in (pagina 15).

Een stereo-uitzending van een FM-programma wordt mono weergegeven.

Het apparaat staat in de mono-ontvangststand.
→ Stel "MONO-OFF" in (pagina 15).

RDS (CDX-HR905IP)

SEEK begint na enkele seconden weergave.

De zender is geen TP-zender of heeft een zwak signaal.
→ Schakel TA uit (pagina 11).

Geen verkeersinformatie.

- Schakel TA in (pagina 11).
- De zender is een TP-zender, maar zendt toch geen verkeersinformatie uit.
 - Stem af op een andere zender.

PTY geeft "- - - - -" weer.

- De huidige zender is geen RDS-zender.
- Geen RDS-gegevens ontvangen.
- De zender geeft het programmatype niet door.

Foutmeldingen/berichten

BLANK

- Er zijn geen tracks opgenomen op de MD.*1
→ Speel een MD af waarop tracks zijn opgenomen.

ERROR#2

- De CD is vuil of is omgekeerd geplaatst.*1
→ Reinig de disc of plaats deze op de juiste manier.
- Er is een lege disc in het apparaat geplaatst.
- De disc kan niet worden afgespeeld wegens een probleem.
→ Plaats een andere disc.

FAILURE

- De luidsprekers of versterkers zijn niet correct aangesloten.
→ Raadpleeg de installatiehandleiding van dit model om de aansluitingen te controleren.

FAILURE (brandt ongeveer 1 seconde.) (alleen CDX-H905IP)

- Als de XM-tuner is aangesloten, kunt u een XM-radiozender niet opslaan op een vooraf ingestelde stand.
→ Controleer of u de zender ontvangt die u wilt opslaan en probeer het opnieuw.

LOAD

- De disc wordt geladen door de wisselaar.
→ Wacht tot het laden is voltooid.

L. SEEK +/-

- De lokale zoekfunctie is ingeschakeld tijdens automatisch afstemmen.

NO AF (alleen CDX-HR905IP)

- Er is geen alternatieve frequentie voor de huidige zender.
→ Druk op (SEEK) +/- terwijl de programmaservicenaam knippert. Het apparaat gaat zoeken naar een andere frequentie met dezelfde PI-gegevens (programma-identificatie). ("PI SEEK" wordt weergegeven.)

NO DISC

- De disc is niet in de CD/MD-wisselaar geplaatst.
→ Plaats discs in de wisselaar.

NO INFO

- Er is geen tekstinformatie aan de MP3-/WMA-/AAC-bestanden of ATRAC CD toegevoegd.

NO IPOD

- Er is geen iPod aangesloten.
→ Sluit een iPod aan op de dockconnector.
Als "NO IPOD" wordt weergegeven wanneer u de iPod aansluit op de dockconnector, koppelt u de iPod los van de dockconnector en sluit u deze vervolgens opnieuw aan.

NO MAG

- Er is geen discmagazijn in de CD-wisselaar geplaatst.
→ Plaats het magazijn in de wisselaar.

NO MUSIC

- De disc bevat geen muziekbestanden.
→ Plaats een muziek-CD in dit apparaat of de MP3-compatibele wisselaar.
-

NO NAME

- Er is geen naam voor de disc/groep/track naar de track geschreven.

NO TP (alleen CDX-HR905IP)

- Het apparaat blijft zoeken naar beschikbare TP-zenders.

NOTREADY

- De klep van de MD-wisselaar is open of de MD's zijn niet juist geplaatst.
→ Sluit de klep of plaats de MD's op de juiste manier.

OFFSET

- Er is wellicht een interne storing.
→ Controleer de aansluiting. Als de foutmelding in het scherm blijft staan, moet u de dichtstbijzijnde Sony-handelaar raadplegen.

READ

- Alle informatie over de track en de groep/het album op de disc wordt gelezen.
→ Wacht totdat het lezen is voltooid en het afspelen automatisch wordt gestart. Afhankelijk van de discstructuur kan dit meer dan een minuut in beslag nemen.

RESET

- De CD-speler en CD/MD-wisselaar kunnen niet worden bediend vanwege een probleem.
→ Druk op de RESET toets (pagina 5).

"LLLLL" of "rrrrr"

- Tijdens het snel terug- of vooruitspoelen hebt u het begin of het einde van de disc bereikt en kunt u niet verder.

"—"

- Het teken kan niet worden weergegeven met het apparaat.

*1 *Het discnummer van de disc met de fout wordt weergegeven in het scherm.*

*2 *Als er een fout optreedt tijdens het afspelen van een CD of MD, wordt het discnummer van de CD of MD niet in het scherm weergegeven.*

Als deze oplossingen niet helpen, moet u de dichtstbijzijnde Sony-handelaar raadplegen. Als u het apparaat ter reparatie wegbrengt omdat CD's niet goed worden afgespeeld, kunt u beste de disc meenemen waarmee het probleem is begonnen.

Si dichiara che l'apparecchio è stato fabbricato in conformità all'art.2, Comma 1 del D.M.28.08.1995 n.548.

Per l'installazione e i collegamenti, fare riferimento al manuale di istruzioni per l'installazione e i collegamenti in dotazione.

**CLASS 1
LASER PRODUCT**

Questa etichetta è posta nella parte inferiore esterna.

Il presente apparecchio è un prodotto di Sony Corporation 1-7-1 Konan Minato-ku Tokyo, 108-0075 Giappone.

Il Rappresentante Autorizzato per EMC e per la sicurezza del prodotto è Sony Deutschland GmbH, Hedelfinger Strasse 61, 70327 Stuttgart, Germania. Per qualsiasi questione riguardante l'assistenza o la garanzia, rivolgersi agli indirizzi che si trovano nei documenti di assistenza o di garanzia.



Trattamento del dispositivo elettrico od elettronico a fine vita (applicabile in tutti i paesi dell'Unione Europea e in altri paesi europei con sistema di raccolta differenziata)

Questo simbolo sul prodotto o sulla confezione indica che il prodotto non deve essere considerato come un normale rifiuto domestico, ma deve invece essere consegnato ad un punto di raccolta appropriato per il riciclo di apparecchi elettrici ed elettronici. Assicurandovi che questo prodotto sia smaltito correttamente, voi contribuirete a prevenire potenziali conseguenze negative per l'ambiente e per la salute che potrebbero altrimenti essere causate dal suo smaltimento inadeguato. Il riciclaggio dei materiali aiuta a conservare le risorse naturali. Per informazioni più dettagliate circa il riciclaggio di questo prodotto, potete contattare l'ufficio comunale, il servizio locale di smaltimento rifiuti oppure il negozio dove l'avete acquistato.

Accessorio utilizzabile: Telecomando



Trattamento delle pile esauste (applicabile in tutti i paesi dell'Unione Europea e in altri paesi Europei con sistema di raccolta differenziata)

Questo simbolo sul prodotto o sulla confezione indica che la pila non deve essere considerata un normale rifiuto domestico. Assicurandovi che le pile siano smaltite correttamente, contribuirete a prevenire potenziali conseguenze negative per l'ambiente e per la salute che potrebbero altrimenti essere causate dal loro inadeguato smaltimento. Il riciclaggio dei materiali aiuta a conservare le risorse naturali. In caso di prodotti che per motivi di sicurezza, prestazione, protezione dei dati, richiedono un collegamento fisso ad una pila interna, la stessa dovrà essere sostituita solo da personale di assistenza qualificato. Consegnare il prodotto a fine vita al punto di raccolta idoneo allo smaltimento di apparecchiature elettriche ed elettroniche; questo assicura che anche la pila al suo interno venga trattata correttamente. Per le altre pile consultate la sezione relativa alla rimozione sicura delle pile. Conferire le pile esauste presso i punti di raccolta indicati per il riciclo. Per informazioni più dettagliate circa lo smaltimento della pila esausta o del prodotto, potete contattare il Comune, il servizio locale di smaltimento rifiuti oppure il negozio dove l'avete acquistato.

SonicStage e il relativo logo sono marchi di fabbrica di Sony Corporation.
“ATRAC” e il relativo logo sono marchi di fabbrica di Sony Corporation.



Microsoft, Windows Media e il loro Windows sono marchi di fabbrica o marchi registrati di Microsoft Corporation negli Stati Uniti e/o in altri paesi.

iPod è un marchio di fabbrica di Apple Inc., registrato negli Stati Uniti e in altri paesi.

Avvertenza relativa all'installazione su un'imbarcazione sprovvista della posizione ACC (accessoria) sul blocchetto di accensione

Assicurarsi di impostare la funzione di spegnimento automatico (pagina 14). In questo modo, l'apparecchio si spegne completamente e in modo automatico dopo l'intervallo di tempo impostato dal relativo spegnimento, per evitare lo scaricamento della pila.

Se non viene impostata la funzione di spegnimento automatico, tenere premuto **(OFF)** fino a quando l'indicazione non scompare ogni volta che si spegne il motore.

Congratulazioni!	4
------------------------	---

Operazioni preliminari

Azzeramento dell'apparecchio	5
Preparazione del telecomando a scheda	5
Impostazione dell'orologio	5
Inserimento del disco nell'apparecchio	5
Estrazione del disco	5

Posizione dei comandi e operazioni di base

Unità principale	6
Telecomando a scheda RM-X151	8

CD

Voci del display	9
Riproduzione ripetuta e in ordine casuale	9

Radio

Memorizzazione e ricezione delle stazioni	10
Memorizzazione automatica — BTM	10
Memorizzazione manuale	10
Ricezione delle stazioni memorizzate	10
Sintonizzazione automatica	10
RDS (CDX-HR905IP)	10
Cenni preliminari	10
Impostazione dei modi AF e TA	11
Selezione del modo PTY	11
Impostazione del modo CT	12

iPod

Riproduzione tramite un iPod	12
Riproduzione di brani	12
Voci del display	13
Impostazione del modo di riproduzione	13
Selezione dell'album, dell'artista o della playlist	13
Riproduzione ripetuta e in ordine casuale	13
Ricerca	13

Altre funzioni

Modifica delle impostazioni audio	14
Regolazione delle caratteristiche dell'audio — BAL/FAD/SUB	14
Personalizzazione della curva dell'equalizzatore — EQ3	14
Regolazione delle voci di impostazione — SET	14
Uso di apparecchi opzionali	15
Cambia CD/MD	15
Telecomando RM-X55M/X11M per uso in ambiente marino	16
Apparecchio audio ausiliare	16

Informazioni aggiuntive







Precauzioni	17
Note sui dischi	17
Ordine di riproduzione di file MP3/WMA/AAC	18
Informazioni sui file MP3	18
Informazioni sui file WMA	18
Informazioni sui file AAC	18
Informazioni sui CD ATRAC	18
Informazioni su iPod	19
Manutenzione	19
Caratteristiche tecniche	19
Guida alla soluzione dei problemi	21
Messaggi e indicazioni di errore	22

Congratulazioni!

Complimenti per l'acquisto del presente lettore CD Sony. Durante la navigazione, è possibile utilizzare le funzioni riportate di seguito.

• Riproduzione di CD

È possibile riprodurre CD-DA (contenenti inoltre informazioni CD TEXT), CD-R/CD-RW (file MP3/WMA/AAC (pagina 18)) e CD ATRAC (in formato ATRAC3 e ATRAC3plus (pagina 18)).

Tipo di disco	Etichetta sul disco	
CD-DA		
MP3 WMA AAC CD ATRAC	 	 

• Ricezione radiofonica

– È possibile memorizzare fino a 6 stazioni per banda.

CDX-H905IP:

FM1, FM2, FM3, AM1 e AM2

CDX-HR905IP:

FM1, FM2, FM3, MW e LW

– **BTM** (memorizzazione automatica delle emittenti con sintonia migliore):

l'apparecchio seleziona le stazioni con il segnale più potente e le memorizza.

• Servizi RDS

– In Europa, è possibile ascoltare stazioni FM mediante il sistema RDS (sistema dati radio). (CDX-HR905IP)

• Regolazione audio

– **EQ3 stage2:** è possibile scegliere una delle 7 curve dell'equalizzatore preimpostate.

– **DSO** (organizzatore audio dinamico): crea un effetto audio più realistico, mediante sintesi di diffusori virtuali, per enfatizzare l'audio dei diffusori, anche se questi sono installati nella parte inferiore dello sportello.

• Funzionamento di dispositivi opzionali

È possibile collegare vari tipi di dispositivo audio.

– **iPod:** è possibile collegare un iPod tramite l'apposito cavo con connettore dock sulla parte posteriore dell'apparecchio.

– **Dispositivo audio portatile:** la presa AUX IN sulla parte posteriore dell'apparecchio consente il collegamento di un dispositivo audio portatile (collegamento analogico).

– **Cambia CD/MD:** al terminale BUS Sony situato nella parte posteriore dell'apparecchio è possibile collegare cambia CD/MD.

Informazioni sulla resistenza all'acqua

Il presente apparecchio è stato progettato appositamente per l'uso in ambiente marino. Per proteggerlo da spruzzi d'acqua, onde, pioggia, umidità, raggi ultravioletti e così via, l'apparecchio è stato sottoposto ai test riportati di seguito per verificarne l'affidabilità e la funzionalità (solo pannello anteriore):

- Pannello anteriore impermeabile - Certificato IPx5
- Resistente alla nebbia salina - Testato secondo norme ASTM B117
- Circuito stampato rivestito a norma
- Resistente ai raggi ultravioletti - Testato secondo norme ASTM G154

Note

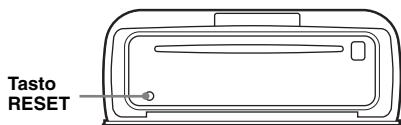
- Assicurarsi di chiudere il pannello anteriore per preservarne l'impermeabilità, tranne durante l'inserimento/espulsione di un disco.
- Evitare che l'acqua entri in contatto con l'apparecchio, ad eccezione del pannello anteriore.
- Non utilizzare il presente apparecchio nei seguenti luoghi:
 - dove l'apparecchio possa essere soggetto a elevata pressione dell'acqua, getti d'acqua calda o vasche da bagno e così via.
 - sott'acqua.

Operazioni preliminari

Azzeramento dell'apparecchio

Prima di utilizzare l'apparecchio per la prima volta, dopo la sostituzione della batteria dell'imbarcazione o dopo avere effettuato modifiche ai collegamenti, è necessario azzerare l'apparecchio stesso.

Aprire il pannello anteriore, quindi premere il tasto RESET utilizzando un oggetto appuntito, ad esempio una penna a sfera.

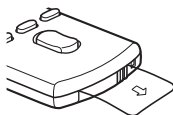


Nota

Premendo il tasto RESET verranno cancellate le impostazioni dell'orologio e alcune funzioni memorizzate.

Preparazione del telecomando a scheda

Prima di utilizzare il telecomando a scheda per la prima volta, rimuovere la pellicola di protezione.



Suggerimento

Per informazioni su come sostituire la pila, vedere "Sostituzione della pila al litio del telecomando a scheda" a pagina 19.

Impostazione dell'orologio

CDX-H905IP:

Indicazione dell'ora in base al sistema delle 12 ore

CDX-HR905IP:

Indicazione dell'ora in base al sistema delle 24 ore

- 1 Tenere premuto (SELECT).**
Viene visualizzato il display di impostazione.
- 2 Premere più volte (SELECT) fino a visualizzare "CLOCK-ADJ".**
- 3 Premere (SEEK) +.**
L'indicazione dell'ora lampeggia.

4 Ruotare la manopola di controllo del volume per impostare l'ora e i minuti.

Per passare da una cifra all'altra dell'indicazione digitale, premere (DSPL).

5 Premere (SELECT).

L'impostazione è completata e l'orologio viene attivato.

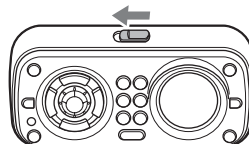
Per visualizzare l'orologio, premere (DSPL). Premere di nuovo (DSPL) per tornare al display precedente.

Suggerimento

È possibile regolare l'orologio automaticamente tramite la funzione RDS (pagina 12). (solo CDX-HR905IP)

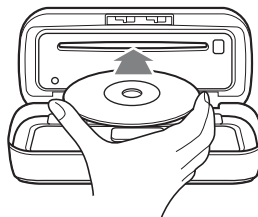
Inserimento del disco nell'apparecchio

1 Fare scorrere l'interruttore OPEN nella direzione della freccia.



2 Aprire il pannello anteriore.

3 Inserire il disco (lato etichetta verso l'alto).



4 Chiudere il pannello anteriore.

La riproduzione viene avviata automaticamente.

Note

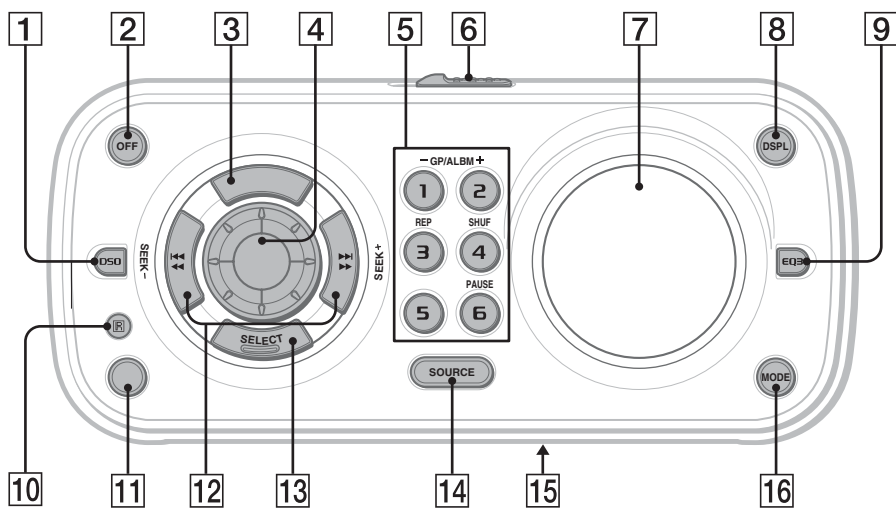
- Non collocare alcun oggetto sulla superficie interna del pannello anteriore.
- Accertarsi di chiudere il pannello anteriore durante l'operazione.

Estrazione del disco

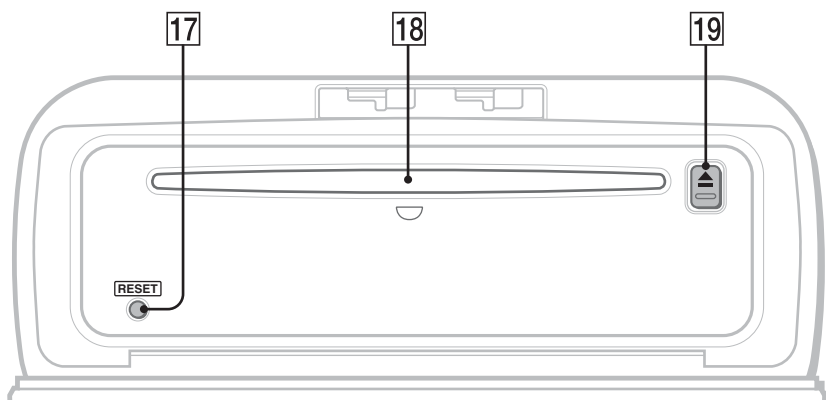
- 1 Fare scorrere l'interruttore OPEN, quindi aprire il pannello anteriore.**
- 2 Premere ▲.**
Il disco viene espulso.
- 3 Chiudere il pannello anteriore.**

Posizione dei comandi e operazioni di base

Unità principale



Pannello anteriore aperto



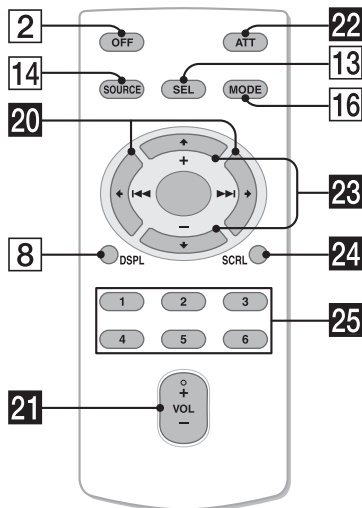
La presente sezione contiene le istruzioni riguardanti la posizione dei comandi e le operazioni di base. Per ulteriori informazioni, vedere le pagine corrispondenti. Per informazioni sul funzionamento dell'iPod vedere "iPod" a pagina 12 o dei dispositivi opzionali (cambia CD/MD e così via), vedere "Uso di apparecchi opzionali" a pagina 15. I tasti del telecomando a scheda corrispondenti a quelli dell'apparecchio controllano le stesse funzioni.

- 1 Tasto DSO** pagina 4
Per selezionare il modo DSO (1, 2, 3 o OFF). Maggiore è il numero, più enfatizzato sarà l'effetto.
- 2 Tasto OFF**
Per disattivare l'alimentazione; per arrestare la riproduzione della sorgente.
- 3 Tasto SCRL (scorrimento) (CDX-H905IP)**
Per scorrere le voci del display.
Tasto AF (frequenze alternative)/TA (notiziari sul traffico) (CDX-HR905IP) pagina 11
Per impostare AF e TA nel modo RDS.
- 4 Manopola di controllo del volume** pagina 14
Per regolare il volume.
- 5 Tasti numerici CD/PD:**
 - 1/2: GP/ALBM -/+**
Per saltare gli album (premere); per saltare gli album in modo continuo (tenere premuto).
 - 3: REP** pagina 9
 - 4: SHUF** pagina 9
 - 6: PAUSE**
Per effettuare una pausa durante la riproduzione di un CD sul presente apparecchio. Per annullare l'operazione, premere di nuovo il tasto.**Radio:**
Per ricevere le stazioni memorizzate (premere); per memorizzare le stazioni (tenere premuto).
- 6 Interruttore OPEN** pagina 5
- 7 Finestra del display**
- 8 Tasto DSPL (display)** pagina 9, 10
Per cambiare le voci del display.

- 9 Tasto EQ3 (equalizzatore)** pagina 14
Per selezionare un tipo di equalizzatore (XPLOD, VOCAL, EDGE, CRUISE, SPACE, GRAVITY, CUSTOM o OFF).
- 10 Ricettore del telecomando a scheda**
- 11 Tasto BTM/CAT (CDX-H905IP)** pagina 10
Per attivare la funzione BTM (tenere premuto).
Tasto PTY (tipo di programma) (CDX-HR905IP) pagina 11
Per selezionare il tipo di programma (PTY) nel modo RDS.
- 12 Tasti SEEK -/+ CD/PD:**
Per saltare i brani (premere); per saltare i brani in modo continuo (premere, quindi premere di nuovo entro 1 secondo e tenere premuto); per fare retrocedere o fare avanzare rapidamente un brano (tenere premuto).
Radio:
Per sintonizzare le stazioni in modo automatico (premere); per ricercare una stazione manualmente (tenere premuto).
- 13 Tasto SELECT**
Per selezionare le voci di impostazione.
- 14 Tasto SOURCE**
Per accendere l'apparecchio; cambiare la sorgente (Radio/CD/AUX/PD)*.
- 15 Interruttore di selezione della frequenza (CDX-H905IP)** (posto sulla parte inferiore dell'apparecchio)
Per ulteriori informazioni, consultare la sezione relativa all'interruttore di selezione della frequenza nel manuale di installazione/dei collegamenti in dotazione.
- 16 Tasto MODE** pagina 10
Per selezionare la banda radio*, selezionare il modo di riproduzione iPod.
- 17 Tasto RESET** pagina 5
- 18 Alloggiamento del disco** pagina 5
Per inserire il disco.
- 19 Tasto ▲ (espulsione)** pagina 5
Per estrarre il disco.

continua alla pagina successiva →

Telecomando a scheda RM-X151



I tasti del telecomando a scheda riportati di seguito corrispondono a tasti/funzioni differenti dell'apparecchio. Prima dell'uso, rimuovere la protezione (pagina 5).

- 20 Tasti ← (|◀◀)/→ (▶▶|)**
Per controllare il CD/la radio/il PD. Stessa funzione di (SEEK) +/- sull'apparecchio. È possibile utilizzare le impostazioni, le impostazioni dell'audio e così via mediante ◀ →.
- 21 Tasto VOL (volume) +/-**
Per regolare il volume.
- 22 Tasto ATT (attenuazione audio)**
Per attenuare l'audio. Per annullare l'operazione, premere di nuovo il tasto.
- 23 Tasti ↑ (+)/↓ (-)**
Per controllare il CD/PD. Corrispondenti a (GP/ALBM) +/- sull'apparecchio. È possibile utilizzare le impostazioni, le impostazioni dell'audio e così via mediante ↑ ↓.
- 24 Tasto SCRL (scorrimento)**
Per scorrere le voci del display.
- 25 Tasti numerici**
Per ricevere le stazioni memorizzate (premere); per memorizzare le stazioni (tenere premuto).

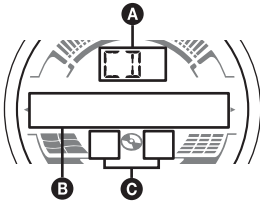
* Qualora venga collegato un cambia CD/MD, un sintonizzatore radio HD o un sintonizzatore SAT, se viene premuto (SOURCE), a seconda del dispositivo collegato sul display viene visualizzato il tipo di dispositivo stesso ("MD," "HD," "XM" o "SR"). Inoltre, se viene premuto (MODE), è possibile selezionare il cambia dischi, la banda del sintonizzatore radio HD o la banda del sintonizzatore SAT.
(È possibile collegare un sintonizzatore radio HD o un sintonizzatore SAT solo ai modelli CDX-H905IP.)

Nota

Se l'apparecchio viene spento e il display disattivato, non è possibile controllarlo mediante il telecomando a scheda a meno che non venga premuto (SOURCE) sull'apparecchio o che non venga inserito un disco per accendere l'apparecchio stesso.

Per ulteriori informazioni sulla selezione di un cambia CD/MD, vedere pagina 15.

Voci del display



- A** Sorgente
- B** Numero di brano/tempo di riproduzione trascorso, titolo del disco/nome dell'artista, numero di album/gruppo*, nome dell'album/del gruppo, titolo del brano, informazioni di testo, orologio
- C** Indicazione ATRAC/WMA/MP3/AAC

* Il numero dell'album/del gruppo viene visualizzato solo se l'album/il gruppo viene modificato.

Per modificare le voci del display **B**, premere **(DSPL)**.

Suggerimento

Le voci visualizzate potrebbero non corrispondere, a seconda del tipo di disco, del formato di registrazione e delle impostazioni effettuate. Per ulteriori informazioni sui file MP3/WMA/AAC, vedere pagina 18; su CD ATRAC, vedere pagina 18.

Riproduzione ripetuta e in ordine casuale

1 Durante la riproduzione, premere più volte **(3)** (REP) o **(4)** (SHUF) fino a visualizzare l'impostazione desiderata.

Selezionare	Per riprodurre
(↶) TRACK	un brano in modo ripetuto.
(↶) ALBUM*1	un album in modo ripetuto.
(↶) GROUP*2	un gruppo in modo ripetuto.
SHUF ALBUM*1	un album in ordine casuale.
SHUF GROUP*2	un gruppo in modo casuale.
SHUF DISC	un disco in ordine casuale.

*1 Durante la riproduzione di MP3/WMA/AAC.

*2 Durante la riproduzione di CD ATRAC.

Per tornare al modo di riproduzione normale, selezionare **(↶ OFF)** o **(SHUF OFF)**.

Radio

Memorizzazione e ricezione delle stazioni

Attenzione

Per la sintonizzazione delle stazioni durante la navigazione, utilizzare la funzione BTM (memorizzazione automatica delle emittenti con sintonia migliore) per evitare incidenti.

Memorizzazione automatica

— BTM

1 Premere più volte **(SOURCE)** fino a visualizzare "TUNER".

Per cambiare la banda, premere più volte **(MODE)**.

2 Tenere premuto **(SELECT)**.

Viene visualizzato il display di impostazione.

3 Premere più volte **(SELECT)** fino a visualizzare "BTM".

4 Premere **(SEEK)** +.

L'apparecchio memorizza le stazioni in corrispondenza dei tasti numerici in base all'ordine delle frequenze.

Quando l'impostazione è stata memorizzata, viene emesso un segnale acustico.

Memorizzazione mediante il tasto BTM

(solo CDX-H905IP)

Al posto dei punti da 2 a 4, tenere premuto **(BTM)** fino a quando "BTM" non lampeggia.

Memorizzazione manuale

1 Durante la ricezione della stazione che si desidera memorizzare, tenere premuto un tasto numerico (da ① a ⑥) fino a visualizzare "MEM".

L'indicazione del tasto numerico viene visualizzata nel display.

Nota

Se un'altra stazione viene memorizzata in corrispondenza dello stesso tasto numerico, la stazione memorizzata in precedenza viene sostituita.

Suggerimento

Se viene memorizzata una stazione RDS, viene memorizzata anche l'impostazione AF/TA (pagina 11) (solo CDX-HR905IP)

Ricezione delle stazioni memorizzate

1 Selezionare la banda, quindi premere un tasto numerico (da ① a ⑥).

Sintonizzazione automatica

1 Selezionare la banda, quindi premere **(SEEK)** -/+ per ricercare la stazione.

La ricerca si arresta non appena l'apparecchio riceve una stazione. Ripetere questa procedura fino alla ricezione della stazione desiderata.

Suggerimento

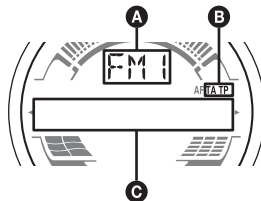
Se si conosce la frequenza della stazione che si desidera ascoltare, tenere premuto **(SEEK)** -/+ per individuare la frequenza approssimativa, quindi premere più volte **(SEEK)** -/+ per sintonizzarsi esattamente sulla frequenza desiderata (sintonizzazione manuale).

RDS (CDX-HR905IP)

Cenni preliminari

RDS (sistema dati radio) è un servizio che consente alle stazioni radio FM di trasmettere informazioni digitali aggiuntive oltre al normale segnale in radiofrequenza.

Voci del display



A Banda radio, funzione

B TA/TP*1

C Frequenza*2 (nome del servizio dei programmi), numero di preselezione, orologio, dati RDS

*1 "TA" lampeggia durante la ricezione di notiziari sul traffico. "TP" si illumina durante la ricezione di una stazione che fornisce programmi sul traffico.

2 Durante la ricezione della stazione RDS, "" è visualizzato a sinistra dell'indicazione della frequenza.

Per modificare le voci del display **C**, premere **(DSPL)**.

Servizi RDS

Il presente apparecchio fornisce i servizi RDS in modo automatico come segue:

AF (frequenze alternative)

Consente di selezionare e sintonizzare di nuovo la stazione con il segnale più potente. Utilizzando questa funzione, è possibile riprodurre in modo continuo lo stesso programma durante un viaggio di lunga durata, senza la necessità di sintonizzare di nuovo la stessa stazione manualmente.

TA (notiziari sul traffico)/TP (programma sul traffico)

Fornisce le informazioni o i programmi correnti relativi al traffico. Qualsiasi informazione o programma ricevuto interrompe la riproduzione della sorgente selezionata.

PTY (tipo di programma)

Consente di visualizzare il tipo di programma in fase di ricezione, nonché di ricercare il tipo di programma selezionato.

CT (ora)

L'orologio viene regolato mediante i dati CT della trasmissione RDS.

Note

- È possibile che non tutte le funzioni RDS siano disponibili, a seconda del paese o della regione.
- La funzione RDS non è disponibile quando il segnale è troppo debole o se la stazione sintonizzata non trasmette dati RDS.

Impostazione dei modi AF e TA

1 Premere più volte **(AF/TA)** fino a visualizzare l'impostazione desiderata.

Selezionare	Per
AF-ON	attivare AF e disattivare TA.
TA-ON	attivare TA e disattivare AF.
AF, TA-ON	attivare entrambi i modi AF e TA.
AF, TA-OFF	disattivare entrambi i modi AF e TA.

Memorizzazione di stazioni RDS con impostazione AF e TA

È possibile preselezionare le stazioni RDS insieme all'impostazione AF/TA. Se viene utilizzata la funzione BTM, vengono memorizzate solo le stazioni RDS con la stessa impostazione AF/TA.

Se si utilizza il modo di preselezione manuale, è possibile preselezionare le stazioni RDS e non RDS con impostazioni AF/TA distinte.

- 1 Impostare AF/TA, quindi memorizzare la stazione mediante la funzione BTM o manualmente.

Ricezione dei notiziari di emergenza

Se è attivato il modo AF o TA, gli annunci di emergenza interrompono automaticamente la riproduzione della sorgente selezionata.

Suggerimento

Se si regola il livello del volume durante un notiziario sul traffico, tale livello viene memorizzato per i successivi notiziari sul traffico, indipendentemente dal normale livello del volume.

Mantenimento di un programma regionale — REG

Quando la funzione AF è attivata: le impostazioni predefinite di questo apparecchio limitano la ricezione a una regione specifica, in modo che la stazione sintonizzata non venga sostituita da una stazione regionale dal segnale più potente.

Se si intende lasciare tale area di ricezione regionale, impostare "REG-OFF" nelle impostazioni durante la ricezione FM (pagina 15).

Nota

Questa funzione non è disponibile nel Regno Unito e in altre aree.

Funzione Local Link (solo per il Regno Unito)

Questa funzione consente di selezionare altre stazioni locali della stessa area, anche se non sono memorizzate in corrispondenza dei tasti numerici.

- 1 Durante la ricezione FM, premere un tasto numerico (da ① a ⑥) in corrispondenza del quale è memorizzata una stazione locale.
- 2 Entro 5 secondi, premere nuovamente il tasto numerico della stazione locale. Ripetere questa procedura fino alla ricezione della stazione locale.

Selezione del modo PTY

- 1 Premere **(PTY)** durante la ricezione FM.



Se la stazione sta trasmettendo dati PTY, viene visualizzato il nome del tipo di programma corrente.

2 Premere più volte **(PTY)** fino a quando non viene visualizzato il tipo di programma desiderato.

3 Premere **(SEEK) -/+**.

L'apparecchio avvia la ricerca di una stazione che trasmette il tipo di programma selezionato.

Tipi di programma

NEWS (Notiziario), **AFFAIRS** (Attualità), **INFO** (Informazioni), **SPORT** (Sport), **EDUCATE** (Educazione), **DRAMA** (Teatro), **CULTURE** (Cultura), **SCIENCE** (Scienza), **VARIED** (Vari), **POP M** (Musica pop), **ROCK M** (Musica rock), **EASY M** (Musica leggera), **LIGHT M** (Classica leggera), **CLASSICS** (Classica), **OTHER M** (Altri tipi di musica), **WEATHER** (Meteo), **FINANCE** (Finanza), **CHILDREN** (Programmi per bambini), **SOCIAL A** (Sociale), **RELIGION** (Religione), **PHONE IN** (Chat show), **TRAVEL** (Viaggi), **LEISURE** (Divertimento e tempo libero), **JAZZ** (Musica jazz), **COUNTRY** (Musica country), **NATION M** (Musica nazionale), **OLDIES** (Musica anni 50/60), **FOLK M** (Musica folk), **DOCUMENT** (Documentari)

Nota

Non è possibile utilizzare questa funzione in paesi/regioni in cui non sono disponibili i dati PTY.

Impostazione del modo CT

1 Impostare “CT-ON” nelle impostazioni (pagina 14).

Nota

- La funzione CT potrebbe non essere disponibile anche durante la ricezione di una stazione RDS.
- L'ora impostata mediante la funzione CT e l'ora corrente potrebbero non corrispondere.

iPod

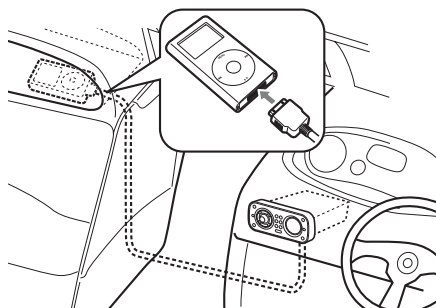
Riproduzione tramite un iPod

Se si collega un iPod al connettore dock situato sulla parte posteriore dell'apparecchio, è possibile ascoltare la musica tramite i diffusori dell'imbarcazione, controllando l'iPod dall'apparecchio stesso.

Nota

- Se un iPod viene collegato al connettore dock, non è possibile effettuare le operazioni sull'iPod stesso.
- Prima di collegare l'iPod al connettore dock, accertarsi di abbassare il volume dell'apparecchio.
- Quando non viene utilizzato il connettore dock, applicare il cappuccio del connettore dock in dotazione onde evitare che all'interno penetri dell'acqua.

Riproduzione di brani



1 Collegare l'iPod al connettore dock.

L'iPod si accende automaticamente e sul relativo display appare la seguente schermata.



2 Premere più volte **(SOURCE)** fino a visualizzare “PD”.

Viene visualizzata l'indicazione “PD 1 PORTABLE”, quindi la riproduzione dei brani memorizzati sull'iPod viene avviata automaticamente a partire dal brano riprodotto per ultimo.

3 Premere **(MODE)** per selezionare il modo di riproduzione.

Il modo cambia come riportato di seguito:
RESUMING → **ALBUM** → **ARTIST** → **PLAYLIST**

4 Regolare il volume.

Premere **(OFF)** per arrestare la riproduzione.

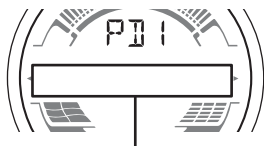
Suggerimenti

- Quando l'iPod è collegato al connettore dock, viene impostato il modo Resuming. Nel modo di ripristino, premendo **3** (Ripeti), **4** (Riproduzione casuale) o **5** (Ricerca) non viene prodotto alcun effetto. Se il modo Resuming viene disattivato premendo **MODE** o **1/2** (GP/ALBM -/+), **3** (Ripeti), **4** (Riproduzione casuale) o **5** (Ricerca) diventano nuovamente attivi ed è possibile modificare il modo di riproduzione.
- Quando la chiave d'accensione è impostata sulla posizione ACC o l'apparecchio è acceso, l'iPod viene ricaricato.
- Se l'iPod viene scollegato durante la riproduzione, questa viene impostata sul modo di pausa.

Nota

Non è possibile collegare un altro iPod utilizzando XA-110IP o XA-120IP.

Voci del display



Nome del brano/dell'album/dell'artista, numero del brano, tempo di riproduzione trascorso, orologio

Per modificare le voci del display, premere **DSPL**.

Nota

È possibile che alcune lettere memorizzate nell'iPod non vengano visualizzate in modo corretto.

Impostazione del modo di riproduzione

Selezione dell'album, dell'artista o della playlist

- 1 Durante la riproduzione, premere **MODE**.

Il modo cambia come riportato di seguito:
ALBUM → **ARTIST** → **PLAYLIST**

Come saltare album, artisti e playlist

Per	Premere
Saltare	1/2 (GP/ALBM -/+) [una volta per ogni brano]
Saltare senza interruzioni	1/2 (GP/ALBM -/+) [tenere premuto fino al punto desiderato]

Riproduzione ripetuta e in ordine casuale

- 1 Durante la riproduzione, premere più volte **3** (REP) o **4** (SHUF) fino a visualizzare l'impostazione desiderata.

Selezionare	Per riprodurre
REP TRK	un brano in modo ripetuto.
REP ALB	un album in modo ripetuto.
REP ART	un artista in modo ripetuto.
REP PLY	una playlist in modo ripetuto.
SHUF ALB	un album in ordine casuale.
SHUF ART	un artista in ordine casuale.
SHUF PLY	una playlist in ordine casuale.
SHUF ALL	tutti i brani in ordine casuale.

Per tornare al modo di riproduzione normale, selezionare "REP OFF" o "SHUF OFF".

Nota

1/2 (GP/ALBM -/+) non funziona durante il modo di riproduzione in ordine casuale.

Ricerca

È possibile individuare rapidamente un punto specifico memorizzato sull'iPod.

- 1 Durante la riproduzione, premere **5** fino a visualizzare "SCAN ON".
Vengono riprodotti i primi 10 secondi di ciascun brano.

Per tornare al modo di riproduzione normale, selezionare "SCAN OFF".

Nota

Questa funzione non è disponibile durante il modo di riproduzione in ordine casuale.

Altre funzioni

Modifica delle impostazioni audio

Regolazione delle caratteristiche dell'audio — BAL/FAD/SUB

È possibile regolare il bilanciamento, l'attenuazione e il volume del subwoofer.

1 Premere più volte **(SELECT) fino a visualizzare “BAL”, “FAD” o “SUB”.**

La voce cambia come riportato di seguito:

LOW*1 → **MID***1 → **HI***1 →

BAL (sinistro-destro) → **FAD** (anteriore-posteriore) → **SUB** (volume subwoofer)*2

→ **AUX***3

*1 Se è attivato EQ3 (pagina 14).

*2 Quando l'uscita audio è impostata su “SUB” (pagina 14).

“ATT” viene visualizzato con il valore minimo e può essere regolato fino a un massimo di 21 incrementi.

*3 Se è attivata la sorgente AUX (pagina 16).

2 Ruotare la manopola di controllo del volume per regolare la voce desiderata.

Dopo 3 secondi, l'impostazione è completata e il display torna al modo di riproduzione/ ricezione normale.

Personalizzazione della curva dell'equalizzatore — EQ3

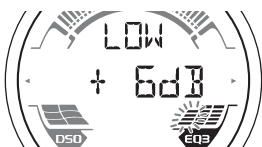
L'opzione “CUSTOM” di EQ3 consente di effettuare impostazioni dell'equalizzatore personalizzate.

1 Selezionare una sorgente, quindi premere più volte **(EQ3) per selezionare “CUSTOM”.**

2 Premere più volte **(SELECT) fino a visualizzare “LOW”, “MID” o “HI”.**

3 Ruotare la manopola di controllo del volume per regolare la voce desiderata.

Il livello del volume può essere regolato per unità di 1 dB da -10 dB a +10 dB.



Ripetere i punti 2 e 3 per regolare la curva dell'equalizzatore.

Per ripristinare la curva dell'equalizzatore predefinita, tenere premuto **(SELECT)** prima del completamento dell'impostazione.

Dopo 3 secondi, l'impostazione è completata e il display torna al modo di riproduzione/ ricezione normale.

Suggerimento

È possibile regolare anche altri tipi di equalizzatore.

Regolazione delle voci di impostazione — SET

1 Tenere premuto **(SELECT).**

Viene visualizzato il display di impostazione.

2 Premere più volte **(SELECT) fino a visualizzare la voce desiderata.**

3 Ruotare la manopola di controllo del volume per selezionare l'impostazione (ad esempio “ON” o “OFF”).

4 Tenere premuto **(SELECT).**

L'impostazione è completata e il display torna al modo di riproduzione/ ricezione normale.

Nota

Le voci visualizzate sono diverse, a seconda della sorgente e dell'impostazione.

È possibile impostare le seguenti voci (per ulteriori informazioni, consultare la pagina di riferimento):

“●” indica le impostazioni predefinite.

CLOCK-ADJ (regolazione dell'orologio) (pagina 5)

CT*1 (ora)

Per impostare “CT-ON” o “CT-OFF” (●) (pagina 11, 12).

BEEP

Per impostare “BEEP-ON” (●) o “BEEP-OFF”.

AUX-A*2 (audio AUX)

Per attivare la visualizzazione della sorgente “AUX-A-ON” (●) o “AUX-A-OFF” (pagina 16).

A.OFF (spegnimento automatico)

Per spegnere automaticamente l'apparecchio dopo un intervallo di tempo prestabilito dallo spegnimento dell'apparecchio stesso: “A.OFF-NO” (●), “A.OFF-30S (secondi)”, “A.OFF-30M (minuti)” o “A.OFF-60M (minuti)”.

REAR/SUB*2

Consente di impostare l'uscita audio.

– “REAR-OUT” (●): per trasmettere il segnale a un amplificatore di potenza.

– “SUB-OUT”: per trasmettere il segnale a un subwoofer.

DEMO (dimostrazione)

Per impostare “DEMO-ON” (●) o “DEMO-OFF”.

DIM (attenuatore di luminosità)

Consente di modificare la luminosità del display.

- “DIM-AT” (●): per ridurre automaticamente la luminosità del display quando vengono accesi i fari.
- “DIM-OFF”: per disattivare l’attenuatore di luminosità.
- “DIM-ON”: per attenuare la luminosità del display.

CONTRAST

Consente di regolare il contrasto del display. È possibile impostare il livello di contrasto in 7 incrementi.

ILM (illuminazione)

Consente di cambiare il colore dell’illuminazione. “ILM-1” (●) o “ILM-2”.

M.DSPL (display in movimento)

Per selezionare il modo del display in movimento.

- “M.DSPL-LM” (●): per visualizzare i modelli in movimento e il misuratore di livello.
- “M.DSPL-OFF”: per disattivare il display in movimento.
- “M.DSPL-ON”: per visualizzare i modelli in movimento.

A.SCRL (scorrimento automatico)

Consente di fare scorrere automaticamente le voci visualizzate composte da molti caratteri quando si cambia disco/album/gruppo/brano.

- “A.SCRL-ON” (●): per attivare lo scorrimento.
- “A.SCRL-OFF”: per disattivare lo scorrimento.

LOCAL (modo di ricerca locale)

- “LOCAL-OFF” (●): per eseguire la ricezione normale.
- “LOCAL-ON”: per sintonizzare solo le stazioni con segnali più forti.

MONO*³ (modo monofonico)

Per migliorare la ricezione FM, selezionare il modo di ricezione monofonico.

- “MONO-OFF” (●): per ascoltare le trasmissioni stereo in stereofonia.
- “MONO-ON”: per ascoltare le trasmissioni stereo in monofonia.

REG*¹*³ (regionale)

Per impostare “REG-ON” (●) o “REG-OFF” (pagina 11).

LPF*⁴ (filtro passa basso)

Consente di selezionare la frequenza di taglio del subwoofer: “LPF OFF” (●), “LPF125Hz” o “LPF 78Hz”.

LOUD (enfasi dei bassi)

Per consentire un ascolto più chiaro a livelli di volume ridotti.

- “LOUD-ON”: per enfatizzare i bassi e gli acuti.
- “LOUD-OFF” (●): per non enfatizzare i bassi e gli acuti.

BTM (pagina 10)

*1 Solo CDX-HR9051P.

*2 Se l'apparecchio è spento.

*3 Durante la ricezione FM.

*4 Quando l'uscita audio è impostata su “SUB”.

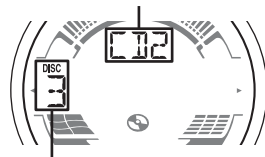
Uso di apparecchi opzionali

Cambia CD/MD

Selezione del cambia dischi

- 1 Premere più volte **(SOURCE)** fino a visualizzare “CD” o “MD”.
- 2 Premere più volte **(MODE)** fino a visualizzare il cambia dischi desiderato.

Numero dell'apparecchio



Numero del disco

Viene avviata la riproduzione.

Come saltare album e dischi

- 1 Durante la riproduzione, premere **(1)/(2)** (GP/ALBM -/+).

Per saltare	Premere (1)/(2) (GP/ALBM -/+)
album	(tenere premuto un istante) e rilasciare.
album in modo continuo	entro 2 secondi dal momento in cui viene rilasciato la prima volta.
dischi	più volte.
dischi in modo continuo	quindi premere di nuovo entro 2 secondi e tenere premuto.

continua alla pagina successiva →

Riproduzione ripetuta e in ordine casuale

1 Durante la riproduzione, premere più volte (3) (REP) o (4) (SHUF) fino a visualizzare l'impostazione desiderata.

Selezionare	Per riprodurre
DISC	un disco in modo ripetuto.
SHUF CHANGER	i brani nel cambia dischi in ordine casuale.
SHUF ALL*	i brani in tutti gli apparecchi in ordine casuale.

* Se sono collegati uno o più cambia CD oppure due o più cambia MD.

Per tornare al modo di riproduzione normale, selezionare "DISC OFF" o "SHUF OFF".

Suggerimento

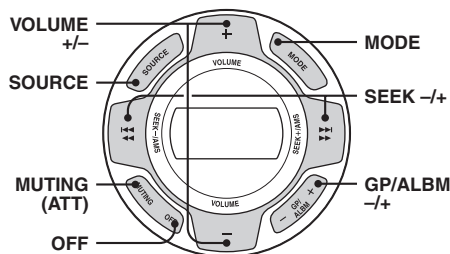
Mediante la funzione "SHUF ALL", non è possibile riprodurre in ordine casuale i brani nei cambia CD insieme a quelli nei cambia MD.

Telecomando RM-X55M/X11M per uso in ambiente marino

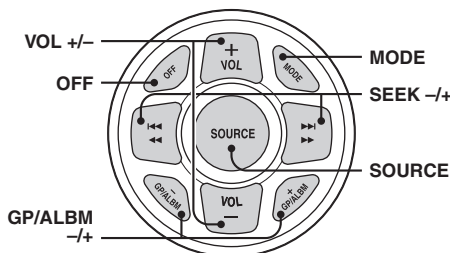
Individuazione dei comandi

I tasti del telecomando per uso in ambiente marino corrispondenti a quelli dell'apparecchio controllano le stesse funzioni.

RM-X55M



RM-X11M



I comandi riportati di seguito del telecomando per uso in ambiente marino richiedono operazioni diverse da quelle dell'apparecchio.

- **Tasto/i VOLUME (VOL) +/-**
Stessa funzione della manopola di controllo del volume sull'apparecchio.
- **Tasto MUTING**
Per attenuare l'audio. Stessa funzione del tasto (ATT) sul telecomando a scheda.

Apparecchio audio ausiliare

Collegando un dispositivo audio portatile opzionale alla presa AUX IN sull'apparecchio e selezionando la sorgente, è possibile ascoltare l'audio del dispositivo portatile mediante i diffusori dell'imbarcazione. Il livello del volume è regolabile per intervenire sulle differenze fra l'apparecchio e il dispositivo audio portatile. Seguire la seguente procedura:

Regolazione del livello del volume

Regolare il volume di ogni apparecchio audio collegato prima della riproduzione.

- 1 Abbassare il volume sull'apparecchio.
- 2 Premere più volte (SOURCE) fino a visualizzare "AUX".
Viene visualizzato "AUX REAR IN".
- 3 Avviare la riproduzione del dispositivo audio portatile ad un volume moderato.
- 4 Impostare sull'apparecchio il consueto volume di ascolto.
- 5 Premere più volte (SELECT) fino a visualizzare "AUX", quindi ruotare la manopola di controllo del volume per regolare il livello di ingresso (da -8 dB a +18 dB).

Informazioni aggiuntive

Precauzioni

- Se l'imbarcazione è stata ormeggiata in un luogo esposto a luce solare diretta, attendere che l'apparecchio si raffreddi prima di utilizzarlo.
- L'antenna elettrica si estende automaticamente durante il funzionamento dell'apparecchio.

Formazione di condensa

Nei giorni di pioggia o in zone estremamente umide, è possibile che all'interno delle lenti e del display dell'apparecchio si formi della condensa. Di conseguenza, l'apparecchio potrebbe non funzionare correttamente. In tal caso, rimuovere il disco e attendere per circa un'ora fino a quando l'umidità non sia evaporata completamente.

Per mantenere una qualità audio elevata

Prestare attenzione a non versare bibite o altri liquidi sull'apparecchio o sui dischi.

Note sui dischi

- Per mantenere puliti i dischi, non toccarne la superficie. Afferrare i dischi dal bordo.
- Riporre i dischi nell'apposita custodia o nell'apposito contenitore quando non vengono utilizzati.
- Non esporre i dischi a calore o a temperature elevate. Evitare di lasciarli all'interno di un'imbarcazione ormeggiata.
- Non incollare etichette né utilizzare dischi con residui di colla o inchiostro. Se vengono utilizzati questi tipi di disco, i residui possono causare l'arresto del disco, provocando problemi di funzionamento o rovinando il disco stesso.



- Non utilizzare dischi su cui sono applicati etichette o adesivi. Utilizzando tali dischi, è possibile che si verifichino i seguenti problemi di funzionamento:
 - Impossibilità di estrarre il disco (staccandosi dal disco, l'etichetta o l'adesivo causano l'inceppamento del meccanismo di espulsione).
 - Impossibilità di leggere correttamente i dati audio (ad esempio, la riproduzione salta oppure è impossibile riprodurre) poiché il restringimento dovuto al calore dell'etichetta o dell'adesivo ha provocato la deformazione del disco.

- Non riprodurre dischi dalla forma irregolare (ad esempio a forma di cuore, quadrato o stella) con questo apparecchio, onde evitare problemi di funzionamento all'apparecchio stesso. Non utilizzare questo genere di dischi.
- Non è possibile riprodurre CD da 8 cm.
- Prima della riproduzione, pulire i dischi con un panno apposito disponibile in commercio. Pulire il disco procedendo dal centro verso l'esterno. Non utilizzare solventi quali benzene, acquaragia, detergenti disponibili in commercio o spray antistatici per dischi analogici.



Note sui dischi CD-R/CD-RW

- È possibile che alcuni CD-R/CD-RW (a seconda dell'apparecchio utilizzato per la registrazione o delle condizioni del disco) non possano essere riprodotti mediante il presente apparecchio.
- Non è possibile riprodurre dischi CD-R/CD-RW non finalizzati.
- L'apparecchio è compatibile con il formato ISO 9660 livelli 1/2, Joliet/Romeo nel formato di espansione e multisessione.
- Numero massimo di:
 - cartelle (album): 150, incluse la cartella radice e le cartelle vuote.
 - file (brani) e cartelle contenuti in un disco: 300 (se il nome di una cartella/di un file contiene molti caratteri, è possibile che tale numero sia inferiore a 300).
 - caratteri visualizzabili per un nome di cartella/file: 32 (Joliet) o 64 (Romeo).
- Se il disco è registrato in multisessione, viene riconosciuto e riprodotto solo il primo brano nel formato della prima sessione (tutti gli altri formati vengono ignorati). La priorità del formato è CD-DA, CD ATRAC e MP3/WMA/AAC.
 - Se il primo brano è un CD-DA, solo il CD-DA della prima sessione viene riprodotto.
 - Diversamente, viene riprodotta una sessione CD ATRAC o MP3/WMA/AAC. Se il disco non contiene dati in questi formati, viene visualizzato "NO MUSIC".

Dischi audio codificati mediante tecnologie di protezione dei diritti d'autore

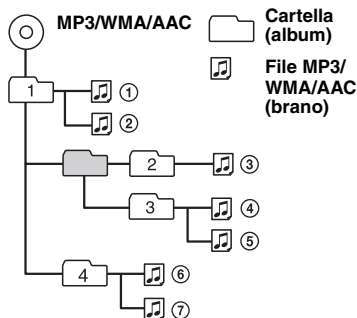
Questo prodotto è stato progettato per la riproduzione di dischi conformi allo standard CD (Compact Disc). Recentemente, alcune case discografiche hanno lanciato sul mercato vari dischi audio codificati mediante tecnologie di protezione dei diritti d'autore. Si noti che alcuni di questi dischi non sono conformi allo standard CD e pertanto non è possibile riprodurli utilizzando il presente prodotto.

continua alla pagina successiva →

Nota sui DualDisc

Un DualDisc è un disco a due lati che abbinata materiale registrato su DVD su un lato e materiale audio digitale sull'altro. Tuttavia, poiché il lato del materiale audio non è conforme allo standard del Compact Disc (CD), la riproduzione su questo prodotto non è garantita.

Ordine di riproduzione di file MP3/WMA/AAC



Informazioni sui file MP3

- MP3, acronimo di MPEG-1 Audio Layer-3, è un formato standard di compressione dei file musicali che consente di comprimere i dati audio di un CD fino a circa 1/10 delle dimensioni originali.
- I tag ID3 versioni 1.0, 1.1, 2.2, 2.3 e 2.4 sono relativi solo ai file MP3. Il tag ID3 è composto da 15/30 caratteri (1.0 e 1.1) o da 63/126 caratteri (2.2, 2.3 e 2.4).
- Durante l'assegnazione di un nome a un file MP3, assicurarsi di aggiungere al nome del file l'estensione ".mp3".
- Durante la riproduzione di un file MP3 VBR (velocità di trasmissione variabile) o mentre si procede rapidamente in avanti/all'indietro, è possibile che il tempo di riproduzione trascorso non venga visualizzato correttamente.

Informazioni sui file WMA

- WMA, l'acronimo di Windows Media Audio, è un formato standard di compressione dei file musicali che consente di comprimere i dati audio di un CD fino a circa 1/22* delle dimensioni originali.
- I tag WMA contengono 63 caratteri.
- Durante l'assegnazione di un nome a un file WMA, assicurarsi di aggiungere al nome del file l'estensione ".wma".
- Durante la riproduzione di un file WMA VBR (velocità di trasmissione variabile) o mentre si procede rapidamente in avanti/all'indietro, è possibile che il tempo di riproduzione trascorso non venga visualizzato correttamente.

Nota sul formato WMA

Non è supportata la riproduzione dei file WMA riportati di seguito.

- file con compressione senza perdita di dati
- file protetti da copyright

Informazioni sui file AAC

- AAC, l'acronimo di Advanced Audio Coding, è un formato standard di compressione dei file musicali che consente di comprimere i dati audio di un CD fino a circa 1/11* delle dimensioni originali.
- Il tag AAC è composto da 126 caratteri.
- Durante l'assegnazione di un nome a un file AAC, assicurarsi di aggiungere al nome del file l'estensione ".m4a".
- Durante la riproduzione di un file AAC VBR (velocità di trasmissione variabile) o mentre si procede rapidamente in avanti/all'indietro, è possibile che il tempo di riproduzione trascorso non venga visualizzato correttamente.

* solo per 128 Kbps

Nota sul formato AAC

Non è supportata la riproduzione di file protetti da copyright.

Informazioni sui CD ATRAC

Formato ATRAC3plus

ATRAC3, l'acronimo di Adaptive Transform Acoustic Coding3, è una tecnologia di compressione audio che consente di comprimere i dati audio di un CD fino a circa 1/10 delle dimensioni originali. ATRAC3plus, un formato esteso di ATRAC3, comprime i dati di un CD audio fino a circa 1/20 delle dimensioni originali. Il presente apparecchio accetta entrambi i formati ATRAC3 e ATRAC3plus.

CD ATRAC

I CD ATRAC sono dati di CD audio registrati che vengono compressi nel formato ATRAC3 o ATRAC3plus utilizzando un software autorizzato, ad esempio SonicStage 2.0 o successivo oppure SonicStage Simple Burner.

- Numero massimo di:
 - cartelle (gruppi): 255
 - file (brani): 999
- Vengono visualizzati i caratteri relativi al nome di una cartella/di un file e le informazioni di testo create mediante SonicStage.

Per ulteriori informazioni su CD ATRAC, consultare il manuale di SonicStage o di SonicStage Simple Burner.

Nota

Assicurarsi di creare un CD ATRAC utilizzando il software autorizzato, quale ad esempio SonicStage 2.0 o versione successiva oppure SonicStage Simple Burner 1.0 o 1.1.

Informazioni su iPod

È possibile utilizzare il presente apparecchio con il tipo di connettore dock iPod, iPod photo, iPod mini e iPod nano con le seguenti versioni software. Non è possibile garantire il funzionamento con le versioni precedenti quelle elencate.

- iPod di terza generazione: Ver.2.3.0
 - iPod di quarta generazione: Ver.3.1.1
 - iPod di quinta generazione: Ver.1.2
 - iPod photo: Ver.1.2.1
 - iPod mini: Ver.1.4.1
 - iPod nano di prima generazione: Ver.1.3
 - iPod nano di seconda generazione: Ver.1.1
- Non sono supportate le funzioni video dell'iPod di quinta generazione e foto dell'iPod photo.

Per gli utenti negli Stati Uniti, per ulteriori informazioni visitare il seguente sito Web:
<http://www.xplodsony.com>

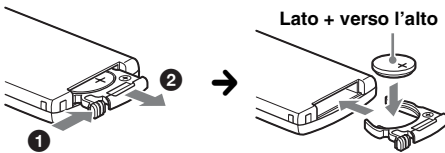
Per eventuali domande o problemi riguardanti l'apparecchio non trattati nel presente manuale, rivolgersi al più vicino rivenditore Sony.

Manutenzione

Sostituzione della pila al litio del telecomando a scheda

In condizioni normali, la pila dura circa 1 anno (il ciclo di vita può risultare più breve in funzione delle condizioni di utilizzo).

Quando la pila si scarica, il raggio d'azione del telecomando a scheda risulta ridotto. Sostituire la pila con una pila al litio CR2025 nuova. L'uso di pile diverse potrebbe comportare il rischio di incendi o esplosioni.



NOTE sulla pila al litio

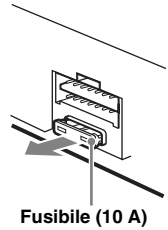
- Tenere la pila al litio fuori dalla portata dei bambini. Se la pila viene ingerita, consultare immediatamente un medico.
- Pulire la pila con un panno asciutto per assicurare un perfetto contatto.
- Assicurarsi di rispettare la corretta polarità durante l'inserimento della pila.
- Non afferrare la pila con pinze di metallo, in quanto potrebbe verificarsi un corto circuito.

AVVERTENZA

La batteria può esplodere se usata scorrettamente. Pertanto, non deve essere ricaricata, smontata o gettata nel fuoco.

Sostituzione del fusibile

Per la sostituzione del fusibile, assicurarsi di utilizzare un fusibile dello stesso amperaggio di quello indicato sull'originale. Se il fusibile si brucia, controllare i collegamenti dell'alimentazione e sostituire il fusibile. Se dopo la sostituzione il fusibile si brucia di nuovo, è possibile che si tratti di un problema interno. In tal caso, rivolgersi al più vicino rivenditore Sony.



Caratteristiche tecniche

Letture CD

Rapporto segnale-rumore: 120 dB
Risposta in frequenza: 10 - 20.000 Hz
Wow e flutter: al di sotto del limite misurabile

Sintonizzatore*

CDX-H905IP:

FM

Gamma di frequenze:

87,5 - 108,0 MHz (con incrementi di 50 kHz)
87,5 - 107,9 MHz (con incrementi di 200 kHz)

Intervallo di sintonizzazione FM: impostabile su 50 kHz/200 kHz

Terminale dell'antenna:

Connettore dell'antenna esterna

Frequenza intermedia: 10,7 MHz/450 kHz

Sensibilità utilizzabile: 9 dBf

Selettività: 75 dB a 400 kHz

Rapporto segnale-rumore: 67 dB (stereo), 69 dB (mono)

Distorsione armonica a 1 kHz: 0,5 % (stereo), 0,3 % (mono)

Separazione: 35 dB a 1 kHz

Risposta in frequenza: 30 - 15.000 Hz

AM

Gamma di frequenze:

531 - 1.602 kHz (con incrementi di 9 kHz)
530 - 1.710 kHz (con incrementi di 10 kHz)

Intervallo di sintonizzazione AM: impostabile su 9 kHz/10 kHz

Terminale dell'antenna:

Connettore dell'antenna esterna

Frequenza intermedia: 10,7 MHz/450 kHz

Sensibilità: 30 µV

CDX-HR905IP:

FM

Gamma di frequenze: 87,5 - 108,0 MHz

Terminale dell'antenna:

Connettore dell'antenna esterna

Frequenza intermedia: 10,7 MHz/450 kHz

Sensibilità utilizzabile: 9 dBf

Selettività: 75 dB a 400 kHz

Rapporto segnale-rumore: 67 dB (stereo), 69 dB (mono)

Distorsione armonica a 1 kHz: 0,5 % (stereo), 0,3 % (mono)

Separazione: 35 dB a 1 kHz

Risposta in frequenza: 30 – 15.000 Hz

MW/LW

Gamma di frequenze:

MW: 531 – 1.602 kHz

LW: 153 – 279 kHz

Terminale dell'antenna:

Connettore dell'antenna esterna

Frequenza intermedia: 10,7 MHz/450 kHz

Sensibilità: MW: 30 μ V, LW: 40 μ V

** di cui al par. 3 dell'Allegato A al D.M. 25/06/85 e al par. 3 dell'Allegato 1 al D.M. 27/08/87*

Amplificatore di potenza

Uscite: uscite diffusori (connettori a tenuta)

Impedenza diffusori: 4 – 8 ohm

Potenza di uscita massima: 52 W \times 4 (a 4 ohm)

Generali

Uscite:

Terminale delle uscite audio (possibilità di selezione tra anteriore, posteriore/subwoofer)

Terminale di controllo del relè dell'antenna elettrica

Terminale di controllo dell'amplificatore di potenza

Ingressi:

Terminale di controllo ATT del telefono

Terminale di controllo dell'illuminazione

Terminale dell'ingresso di controllo BUS

Terminale di ingresso audio BUS

Terminale di ingresso del telecomando

Terminale di ingresso dell'antenna

Terminale di ingresso AUX

Terminale di ingresso dei segnali iPod (connettore dock)

Comandi relativi al tono:

Bassi: \pm 10 dB a 60 Hz (XPLOD)

Medi: \pm 10 dB a 1 kHz (XPLOD)

Alti: \pm 10 dB a 10 kHz (XPLOD)

Requisiti di alimentazione: batteria imbarcazione da 12 V CC (massa negativa)

Dimensioni: circa 197 \times 89 \times 187 mm (l/a/p)

Dimensioni di montaggio: circa 181 \times 52 \times 144 mm (l/a/p)

Peso: circa 1,8 kg

Accessori in dotazione:

Telecomando a scheda: RM-X151

Elementi per l'installazione e i collegamenti (1 set)

Accessori/apparecchi opzionali*:

Telecomando per uso in ambiente marino:

RM-X55M, RM-X11M

Cavo BUS (in dotazione con un cavo a piedini

RCA): RC-61 (1 m), RC-62 (2 m)

Cambia CD (10 dischi): CDX-757MX

Cambia CD (6 dischi): CDX-T70MX, CDX-T69

Selettore di sorgente: XA-C40

Selettore AUX-IN: XA-300

per CDX-H9051P

Sintonizzatore HD Radio™: XT-100HD

** Gli accessori/apparecchi diversi dal telecomando per uso in ambiente marino RM-X55M/X11M non sono resistenti all'acqua. Non esporli al contatto con l'acqua.*

È possibile che il rivenditore non tratti alcuni degli accessori di cui sopra. Per ulteriori informazioni, rivolgersi al rivenditore.

Brevetti degli Stati Uniti d'America e di altri Paesi concessi su licenza dai Dolby Laboratories.

Tecnologia di codifica audio MPEG Layer-3 e brevetti su licenza del Fraunhofer IIS e della Thomson.

Questo prodotto è tutelato da specifici diritti di proprietà intellettuale di Microsoft Corporation. L'uso o la distribuzione della tecnologia in questione al di fuori del presente prodotto sono vietati senza apposita licenza concessa da Microsoft o da una filiale Microsoft autorizzata.

Nota

Il presente apparecchio non può essere collegato a un preamplificatore digitale o a un equalizzatore compatibili con il sistema BUS Sony.

Il design e le caratteristiche tecniche sono soggetti a modifiche senza preavviso.



- Determinati circuiti stampati non contengono ritardanti alla fiamma alogenati.
- Le parti estetiche non contengono ritardanti alla fiamma alogenati.
- Come materiale di riempimento per l'imballaggio viene utilizzata carta.

Guida alla soluzione dei problemi

Fare riferimento alla seguente lista di verifica per risolvere la maggior parte dei problemi che si potrebbero verificare durante l'uso di questo apparecchio.

Prima di esaminare l'elenco che segue, verificare le procedure di collegamento e d'uso dell'apparecchio.

Generali

L'apparecchio non riceve alimentazione.

- Verificare i collegamenti. Se questi sono corretti, controllare il fusibile.
- Se l'apparecchio viene spento e il display disattivato, non è possibile utilizzarlo mediante il telecomando.
→ Accendere l'apparecchio.

L'antenna elettrica non si estende.

L'antenna elettrica non dispone di scatola a relè.

L'audio non viene emesso.

- Il volume è troppo basso.
- È attivata la funzione ATT o la funzione ATT del telefono (se il cavo di interfaccia di un telefono per imbarcazione è collegato al cavo ATT).
- La posizione del comando di attenuazione "FAD" non è appropriata per un sistema a 2 diffusori.
- Il cambia CD non è compatibile con il disco (MP3/WMA/AAC/CD ATRAC).
→ Effettuare la riproduzione mediante un cambia CD Sony compatibile con il formato MP3 o mediante il presente apparecchio.

Non viene emesso alcun segnale acustico.

- Il segnale acustico è disattivato (pagina 14).
- Un amplificatore di potenza opzionale è collegato e l'amplificatore incorporato non viene utilizzato.

Il contenuto della memoria è stato cancellato.

- È stato premuto il tasto RESET.
→ Reinserire i dati in memoria.
- Il cavo di alimentazione o la pila sono stati scollegati.
- Il cavo di alimentazione non è collegato correttamente.

Le stazioni memorizzate e l'ora esatta sono cancellate.

Si è bruciato il fusibile.

Quando si cambia la posizione della chiave di accensione, viene emesso un disturbo.

I cavi non sono collegati correttamente al connettore di alimentazione accessoria dell'imbarcazione.

Durante la riproduzione o la ricezione, viene attivato il modo di dimostrazione.

Se non viene eseguita alcuna operazione per 5 minuti quando è impostata la funzione "DEMO-ON", viene attivato il modo di dimostrazione.

→ Impostare "DEMO-OFF" (pagina 15).

Il display viene disattivato/non viene visualizzato nella relativa finestra.

- L'attenuatore di luminosità è impostato su "DIM-ON" (pagina 15).
- Il display scompare tenendo premuto (OFF).
→ Tenere premuto (OFF) sull'apparecchio fino a visualizzare il display.

La funzione di spegnimento automatico non è operativa.

L'apparecchio è acceso. La funzione di spegnimento automatico si attiva dopo avere spento l'apparecchio.
→ Spegnerne l'apparecchio.

Il telecomando a scheda non funziona.

Accertarsi che la protezione sia stata rimossa (pagina 5).

La funzione DSO non è disponibile.

A seconda del tipo di interni dell'imbarcazione o del tipo di musica, è possibile che la funzione DSO non produca l'effetto desiderato.

Riproduzione di CD/MD

Non è possibile inserire un disco.

- Nell'alloggiamento è presente un altro disco.
- Il disco è stato inserito forzatamente in senso contrario o nel modo sbagliato.

Il disco non viene riprodotto.

- Il disco è difettoso o sporco.
- I CD-R/CD-RW non sono per l'uso audio (pagina 17).
- Il formato del disco e la versione del file non sono compatibili con questo apparecchio (per ulteriori informazioni, vedere pagina 4 e 17).

I file MP3/WMA/AAC necessitano di un tempo maggiore prima di poter essere riprodotti.

Per i dischi indicati di seguito, l'avvio della riproduzione necessita di un tempo maggiore.

- dischi registrati con una struttura ad albero complessa.
- dischi registrati in multisessione.
- dischi ai quali è possibile aggiungere dati.

Non è possibile riprodurre il CD ATRAC.

- Il disco non è stato creato mediante un software autorizzato, quale SonicStage o SonicStage Simple Burner.
- I brani che non sono inclusi nel gruppo non possono essere riprodotti.

Le voci del display non scorrono.

- Per i dischi che presentano molti caratteri, tali voci potrebbero non scorrere.
- "A.SCR.L" è impostato su "OFF".
→ Impostare "A.SCR.L-ON" (pagina 15) o premere (SCR.L).

L'audio salta.

- L'installazione non è corretta.
→ Installare l'apparecchio con un'angolazione inferiore a 45° in una parte stabile dell'imbarcazione.
- Il disco è difettoso o sporco.

I tasti per le operazioni non funzionano.

Il disco non viene espulso.

Premere il tasto RESET (pagina 5).

Ricezione radiofonica

Non è possibile ricevere le stazioni.

L'audio è disturbato.

- Collegare il cavo di controllo dell'antenna elettrica (blu) o il cavo di alimentazione accessoria (rosso) al cavo di alimentazione di un amplificatore di potenza dell'antenna per imbarcazioni (solo se l'imbarcazione dispone di antenna incorporata).
 - Verificare il collegamento dell'antenna dell'imbarcazione.
 - L'antenna elettrica non si estende.
 - Verificare il collegamento del cavo di controllo dell'antenna elettrica.
 - Verificare la frequenza.
 - Quando il modo DSO è attivato, talvolta l'audio risulta disturbato.
 - Impostare il modo DSO su "OFF" (pagina 7).
-

Non è possibile effettuare la sintonizzazione preselezionata.

- Memorizzare la frequenza corretta.
 - Il segnale di trasmissione è eccessivamente debole.
-

Non è possibile effettuare la sintonizzazione automatica.

- L'impostazione del modo di ricerca locale non è stata effettuata correttamente.
 - La sintonizzazione si arresta di frequente:
 - Impostare "LOCAL-ON" (pagina 15).
 - La sintonizzazione non si arresta in corrispondenza di una stazione:
 - Impostare "MONO-ON" (pagina 15).
 - Il segnale di trasmissione è eccessivamente debole.
 - Eseguire la sintonizzazione manuale.
-

Durante la ricezione FM, lampeggia l'indicazione "ST".

- Sintonizzare la frequenza in modo corretto.
 - Il segnale di trasmissione è eccessivamente debole.
 - Impostare "MONO-ON" (pagina 15).
-

Un programma FM trasmesso in stereofonia viene ricevuto in monofonia.

L'apparecchio è impostato sul modo di ricezione monofonico.

→ Impostare "MONO-OFF" (pagina 15).

RDS (CDX-HR905IP)

Dopo alcuni secondi di ascolto, si avvia la ricerca.

La stazione non è TP oppure il segnale è debole.

→ Disattivare il modo TA (pagina 11).

Non viene trasmesso alcun notiziario sul traffico.

- Attivare il modo TA (pagina 11).
 - La stazione non trasmette notiziari sul traffico pur essendo una stazione TP.
 - Sintonizzarsi su un'altra stazione.
-

Il modo PTY visualizza "- - - - -".

- La stazione corrente non è una stazione RDS.
 - I dati RDS non vengono ricevuti.
 - La stazione non specifica il tipo di programma.
-

Messaggi e indicazioni di errore

BLANK

Sull'MD non sono stati registrati brani.*1

→ Riprodurre un MD contenente brani registrati.

ERROR*2

- Il disco è sporco o è stato inserito in senso contrario.*1
 - Pulire il disco o inserirlo correttamente.
 - È stato inserito un disco vuoto.
 - Non è possibile riprodurre il disco a causa di un problema.
 - Inserire un altro disco.
-

FAILURE

I collegamenti di diffusori/amplificatori non sono corretti.

→ Consultare la guida all'installazione del presente modello per verificare i collegamenti.

FAILURE (rimane illuminato per circa 1 secondo.)
(solo CDX-H905IP)

Se è collegato un sintonizzatore XM, non è possibile memorizzare un canale radio XM in una posizione di preselezione.

→ Accertarsi di ricevere il canale che si desidera memorizzare, quindi tentare di nuovo.

LOAD

Il cambio dischi sta caricando il disco.

→ Attendere che il disco venga caricato.

L. SEEK +/-

Il modo di ricerca locale è attivato durante la sintonizzazione automatica.

NO AF (solo CDX-HR905IP)

Non esiste alcuna frequenza alternativa per la stazione corrente.

→ Premere (SEEK) +/- mentre il nome del servizio programmi lampeggia. L'apparecchio avvia la ricerca di un'altra frequenza con gli stessi dati PI (identificativo programma) (viene visualizzato "PI SEEK").

NO DISC

Nel cambio CD/MD non sono inseriti dischi.

→ Inserire i dischi nel cambio dischi.

NO INFO

Nei file MP3/WMA/AAC o sul CD ATRAC non sono presenti informazioni di testo.

NO IPOD

Non è stato collegato alcun iPod.

→ Collegare un iPod al connettore dock.

Se durante il collegamento dell'iPod al connettore dock viene visualizzato "NO IPOD", scollegare l'iPod dal connettore dock, quindi ricollegarlo.

NO MAG

Il contenitore di dischi non è inserito nel cambio CD.

→ Inserire il contenitore di dischi nel cambio dischi.

NO MUSIC

Il disco inserito non contiene file musicali.
→ Inserire un CD musicale nel presente apparecchio o in un cambia dischi compatibile con il formato MP3.

NO NAME

Il brano non contiene il nome del disco/gruppo/brano.

NO TP (solo CDX-HR9051P)

L'apparecchio continua la ricerca di stazioni TP disponibili.

NOTREADY

Il coperchio del cambia MD è aperto o gli MD non sono inseriti correttamente.
→ Chiudere il coperchio o inserire gli MD correttamente.

OFFSET

Potrebbe essersi verificato un problema interno.
→ Verificare i collegamenti. Se l'indicazione di errore rimane visualizzata, rivolgersi al più vicino rivenditore Sony.

READ

È in corso la lettura di tutte le informazioni relative ai brani e ai gruppi/album del disco.
→ Una volta terminata l'operazione, la riproduzione viene avviata automaticamente. Potrebbe essere necessario attendere alcuni minuti, a seconda della struttura del disco.

RESET

L'unità CD e il cambia CD/MD non funzionano a causa di un problema.
→ Premere il tasto RESET (pagina 5).

“ L L L L ” “ 〇 ” “ 〇 ” “ 〇 ” “ 〇 ”
Mentre si procede rapidamente in avanti/all'indietro, sono stati raggiunti l'inizio o la fine del disco e non è possibile andare oltre.

“ _ ”
L'apparecchio non supporta la visualizzazione di un determinato carattere.

- *1 Il numero del disco che causa l'errore viene visualizzato nel display.
*2 In caso di errori durante la riproduzione di un CD o di un MD, nel display non viene visualizzato il numero di disco del CD o dell'MD.

Se le soluzioni riportate non risolvono il problema, rivolgersi al più vicino rivenditore Sony.
Se l'apparecchio viene portato in un centro di assistenza a causa di un problema relativo alla riproduzione di un CD, assicurarsi di portare il disco utilizzato al momento in cui si è verificato il problema.

If you have any questions/problems regarding this product, try the following:

1 *Read Troubleshooting in these Operating Instructions.*

2 *Reset the unit.*

Note: Stored data may be erased.

3 *Please contact (U.S.A. only);*

Call **1-800-222-7669**

URL **<http://www.SONY.com>**

Bitte kreuzen Sie zunächst die genaue Modellbezeichnung in dem dafür vorgesehenen Feld an.

Tragen Sie danach die Seriennummer (SERIAL NO.) in dem reservierten Feld ein. Sie finden diese auf einem Aufkleber, der auf dem Gerätegehäuse angebracht ist. Nehmen Sie den ausgefüllten Geräte-Pass anschließend unbedingt aus der Bedienungsanleitung heraus, falls Sie diese im Fahrzeug aufbewahren möchten. Bitte bewahren Sie den Geräte-Pass an einem sicheren Ort auf. Er kann im Falle eines Diebstahls zur Identifikation Ihres Eigentums dienen.

Marineaudio

Geräte-Pass

SONY®

Dieser Geräte-Pass dient als Eigentumsnachweis für Ihr Marineaudio-Gerät im Falle eines Diebstahls.

Wir empfehlen, den Geräte-Pass nicht im Fahrzeug aufzubewahren, um Missbrauch zu verhindern.

Modellbezeichnung

- CDX-H905IP
- CDX-HR905IP

Seriennummer (SERIAL NO.)

<http://www.sony.net/>

Sony Corporation Printed in Thailand