

Zenith HydroTap

Filtered boiling and chilled drinking water for kitchens and tea rooms.



Commercial Models

- 37671 Zenith HydroTap BC60/85
- 30271 Zenith HydroTap BC100/125
- 30281 Zenith HydroTap BC150/175
- 37201 Zenith HydroTap B100F
- 38201 Zenith HydroTap B150F
- 37691 Zenith HydroTap B60
- 37291 Zenith HydroTap B100
- 38291 Zenith HydroTap B150

Disabled Models

- 37676 Zenith HydroTap BCD60/85
- 37276 Zenith HydroTap BCD100/125
- 38286 Zenith HydroTap BCD150/175
- 37206 Zenith HydroTap BD100F
- 38206 Zenith HydroTap BD150F
- 37696 Zenith HydroTap BD60
- 37296 Zenith HydroTap BD100
- 38296 Zenith HydroTap BD150

Domestic models

- 30009 Zenith HydroTap HT60
- 30609 Zenith HydroTap HTD60
- 36051 Zenith HydroTap HT60/85
- 36651 Zenith HydroTap HTD60/85
- 37606 Zenith HydroTap BFD60 (Ambient)
- 37601 Zenith HydroTap BF60 (Ambient)

Contents

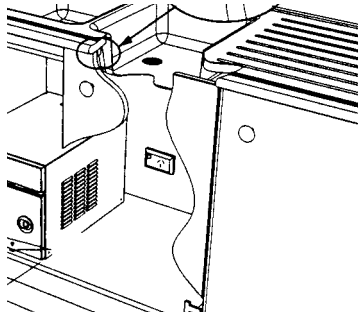
Read These Warnings First	3
Models covered by these instructions	4
Installation Requirements	4
Special tools required	5
Installation procedure	5
Step A - Installing the tap (all models)	5
Step B - Installing the undersink unit (all models)	6
Step C - Connecting the tap, BC & B models	6
Step D - Connecting the Water Supply (all models)	7
Step E - Testing and commissioning	7
Font Installation procedure	8
Operating the Tap	9
Cleaning	10
Replacing the Filter	10
Pull-out Font Template pages	a, b, c, d.
Setting the Energy Saver Timer	15
Auxilliary Fan Attachment	16
Hot Safety Isolation	16
Trouble Shooting	17
Exploded view Chiller Module and Spares	18
Exploded view Boiler Module and Spares	19
Exploded view HT series boiler only	20
Intentionally blank	21
Intentionally blank	22
Intentionally blank	23
Warranty Information	24

NOTE:

All plumbing must comply with AS3500.4.1 & AS3500.4.2

All electrical must comply with AS3350.1, AS3350.2.15

Read These Warnings First



The power point must be located within reach of its cable. The appliance must be positioned so that the plug is accessible.



Zip Hydrotap undersink assembly. The appliance must be placed in a horizontal position, as shown above.

Safety

Do not allow young children, handicapped or infirm persons, to use the Zenith HydroTap without supervision.

Refrigerant

The Zenith HydroTap Chilling unit contains 134A refrigerant under pressure. No part of the unit should be exposed to a naked flame. Maintenance of the refrigeration unit must be carried out by an accredited service provider or qualified refrigeration mechanic.

Qualifications

If any power cord or plug is damaged it must be repaired only by a qualified technician. To avoid hazards, all installation procedures must be carried out by a suitably qualified tradesperson. The power cord and general power outlet must be in a safe visible position for connection.

Venting

Sometimes steam and / or boiling water may discharge through a vent outlet at the mouth of the tap. If the tap is not installed using the Font pedestal, ensure the tap body is located so the tap outlet safely drains into the sink bowl area.

NOTE: On startup, the controls take the system through a calibration process which causes the unit to over-boil for a period of 90 secs. This is normal operation, once this mode is completed the system reverts back to normal operation.

Lifting

Take care when lifting the Zenith HydroTap undersink unit. Some units may exceed safe lifting limits. Do not lift without assistance. The weights of the units are given in the table under the heading "Installation Requirements". Do not lift the unit by the doors.

Airflow

The ambient temperatures this unit should operate within are 5°C - 35°C. Proper air circulation must be provided. The system will operate satisfactorily only if the recommended air gaps are provided, these are 65mm min rear clearance and 50mm side clearance. An air vent is provided with each unit for high usage applications, this must be installed in the top half of the cupboard door as a matter of course. An optional fan kit is available and should be used to ensure adequate ventilation. Make sure that the ventilation grilles of the undersink unit are not obstructed.

Altitude (not HT boiling only series)

The Zenith HydroTap is equipped with a self-calibrating program which caters for altitude adjustment.

Filter For models : BC, BD, BF

The Zenith HydroTap filter control is preset to 6000 Litres to provide trouble-free flow and operation in most installations. Local water quality conditions may require an alteration to this capacity. In areas where the water has a high concentration of sediment, the preset litre capacity may be shortened to avoid poor flow, taste or odour situations. In areas where the water quality is above average, lengthening the preset capacity may be desirable, but not essential. If any of these changes is needed, follow the instructions on page 11 or contact your Zenith Service Provider.

Read These Warnings First continued

Frost Protection

If this appliance is located where the ambient air temperature could fall below 5°C when the heater is not in use, do not turn off the appliance electrically. This safeguard does not offer the same protection to the connecting pipework and fittings.

Installation Environment Considerations

This unit is intended for indoor use only and should never be installed outdoors or exposed to the elements of nature. This unit must not be positioned in an area that may be cleaned by a water jet. This unit must not be cleaned by a water jet.

Models covered by these instructions

These Installation Instructions cover the entire Zenith HydroTap range. Use the chart on the left to identify the model you are using:

BC	100	125
Model	Cups of Boiling Water per Hour	Glasses of Chilled Water per Hour

Commercial and Domestic Models:

BC = Boiling and Chilled, Filtered, Timer

BF = Boiling, Filtered

BD = Boiling and Ambient Filtered

B = Boiling only (unfiltered)

D = Disabled Lever controls, (Optional order only)

HT = Domestic Models (boiling only are unfiltered, boiling/chilled are filtered)

Boiling Water Capacity:

100 = 100 cups in one hour 150 = 150 cups in one hour

Chilled Water Capacity: (BC only)

125 = 125 glasses in one hour 175 = 175 glasses in one hour

Filtration: (BC, BD and BF only)

Note: The **Cup** measurement = 167mls, the **Glass** measurement = 200mls.

Installation Requirements

Before installing ensure that the following have been provided at the installation site:

- Sufficient space in the cupboard to install the undersink unit in accordance with these Installation Instructions. A table of dimensions is given below.

Model	Height mm (inch)	Depth mm (inch)	Width mm (inch)	Weight empty kg's lbs	Weight full kg's lbs
BC & HT 60/85	337 (13.2)	430 (16.9)	440 (17.3)	28 (61.7)	34.5 (76)
BC 100/125	337 (13.2)	430 (16.9)	440 (17.3)	28 (61.7)	35 (77.1)
BC 150/175	395 (15.5)	465 (18.3)	500 (19.6)	29.5 (65)	38 (83.7)
BD 60	353 (13.8)	320 (12.5)	290 (11.4)	9 (19.8)	11.5 (25.3)
B 150	409 (16.1)	340 (13.3)	321 (12.6)	10 (22)	14 (30.8)
B 100	353 (13.8)	320 (12.5)	290 (11.4)	9.5 (20.9)	12 (26.4)
B 60	353 (13.8)	320 (12.5)	290 (11.4)	9 (19.8)	11.5 (25.3)



NOTE: Add 65mm to the Depth to the under-sink unit to allow for Water and Electrical connections

- A water supply connection with isolating valve inside the cupboard within reach of the 750 mm flexible connection and positioned so that the connection point and the stop cock will not be obstructed when the undersink unit is installed.
- Power supply 220-240 Volt AC, for connection to the heater via a 10 amp G.P.O.

Installation Requirements continued

- This switch must provide all-pole disconnection and a contact separation of at least 3mm installed in accordance with wiring rules.
- Cold water supply with a minimum working pressure of 175 kPa and a maximum working pressure of 700 kPa connected via an isolation valve. If pressure is likely to exceed 700 kPa, install a 500 kPa Pressure Limiting Valve.
- The fitting of an air flow vent cut into the top half of the cupboard door concealing the HydroTap requiring a cut size of approximately 100mm circular, to provide adequate warm air displacement. In installations where high volume draw-off will occur, the fitting of the accessory exhaust fan is essential.

Important: Do not proceed with the installation if these requirements are not met.

Special tools required

In addition to normal tools, the following will be required:

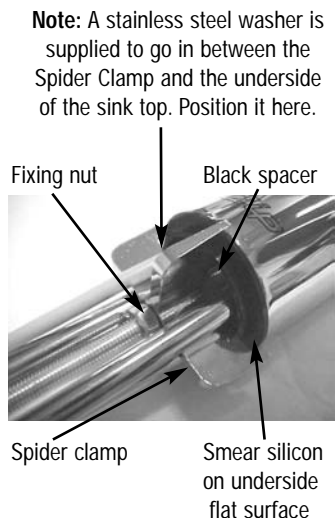
- 38mm diameter sheet metal hole punch for sink tops. (not supplied)
- 38mm diameter hole saw for timber bench tops. (not supplied)
- Nut runner tube spanner (supplied) for fixing tap assembly.

When installing a Font unit:

- 108mm diameter sheet metal or hole saw to suit surface being cut.

Installation procedure

Step A - Installing the tap (all models)



1. Make sure that the tap location will allow the nozzle to drain into the sink.
2. Install the 38mm hole in the bench / sink top.
3. Remove the "Spider Clamp" and S/S washer by undoing the 6mm nut located on the "All Thread" at the base of the Tap Head Assembly. A tube spanner is supplied in your installation kit for this job.
4. Ensure the black plastic spacer remains in place as this is the moisture seal against the bench / sink top. A light smearing of silicon sealant on the underside of the spacer will ensure a watertight fit.
5. Pass all three hoses through the 38mm hole and carefully locate the Head Assembly and black spacer on the bench / sink area.
6. From the underside of the bench / sink area re-locate the S/S washer and "Spider Clamp" by feeding each of the three tubes and electrical cable evenly in between the legs of the "Spider Clamp". Slide it up to meet the "All Thread", and pass the "All Thread" through the center of the "Spider Clamp".
7. Hold the "All Thread" steady and re-fit the 6mm nut to the "All Thread" using the tube spanner supplied in the kit. Check the Tap Head position before securing it tightly against the bench / sink top.

NOTE 1: The tap assembly must not be positioned more than 1m above the HydroTap unit. Failure to do this may result in poor water delivery.

NOTE 2: Under no circumstances should the Tap be twisted after the installation is complete.

Installation procedure continued

Step B - Installing the undersink unit (all models)

SPECIAL NOTE: The HydroTap undersink units are heavy, take note of the weights listed in the table on page 4. If you think you cannot lift the unit safely, get help and avoid possible injury.



Before positioning the heater connect the braided water inlet hose (supplied) to the cold water inlet on the unit. This is located at the rear of the unit.

Position the Zenith HydroTap undersink unit as close as possible to directly beneath the Zenith HydroTap tap head.

The connection tubes supplied with the tap head assembly CANNOT be lengthened.

Leave at least a 50 mm air-gap without obstruction on each side of the unit.

Adjust both cupboard door hinges and attach the supplied rubber door buffers to the doors to create a 4 mm air-gap between the doors and the cupboard. This is the minimum ventilation requirement for low usage installations.

Important Note: Proper air circulation must be provided for all Boiling and Chilled models. The system will operate correctly only if the recommended air gaps are achieved during installation. A ventilation hole measuring 100mm must be cut into the top half of the cupboard door to accommodate the air vent provided. Make sure that the undersink unit ventilation grilles are not obstructed in any way.

This instruction is critical!

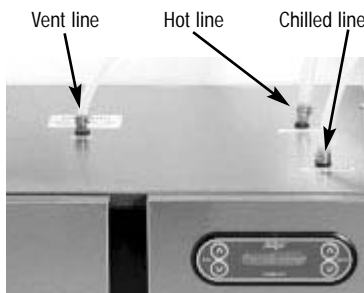
Cupboard ventilation for Boiling only and Boiling Ambient models is recommended but not essential.

Step C - Connecting the tap Model BC and HT (boiling/chilled models)

Measure and trim the blue tube and connect it to the chilled water outlet located on the top front, right hand side of the under-sink unit. Use spring clamps provided.

Measure and trim the red marked tube and connect it to the hot water outlet located on the top center, right hand side of the undersink unit. Use spring clamps provided.

Measure and trim the unmarked tube and connect it to the vent outlet located on the top center, left hand side the top of the undersink unit. Use spring clamps provided.



NOTE: All tubes must have a continuous fall back to the undersink unit.

Connect the tap USB connector to the USB connector attached to the undersink unit. Orient the USB plug carefully and connect, do not force the plug. Once connected, fix the cable to the wall, ensure it is away from any possible water splashes and is off the floor.

Note: When trimming any silicon tubes trim to minimum length, do not loop any excess or allow kinking of the tubes. When connecting, slide the tube over the pipe at least 25mm.

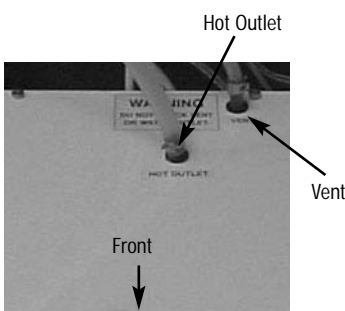
Model B, BD and HT (boiling only models)

Measure and trim the red marked tube and / or the blue marked tube and connect it to the hot water outlet and ambient outlet if a BD model, on the top of the undersink unit. Use spring clamps provided.

Measure and trim the unmarked tube and connect it to the vent outlet on the top of the undersink unit. Use spring clamps provided.

NOTE: All tubes must have a continuous fall back to the undersink unit.

Connect the tap USB connector to the USB connector attached to the undersink unit. Orient the USB plug carefully and connect, do not force the plug. Once connected, fix the cable to the wall, ensure it is away from any possible water splashes and is off the floor.



Installation procedure continued

Step D - Connecting the water supply (all models)

To prevent sediment from entering the Zenith HydroTap at connection, flush water through the supply line thoroughly before connection to the Zenith HydroTap. Open the access door and check that the filter is in place and secure. Connect the water supply to the undersink unit using the attached flexible hose. Turn on water and check for leaks. If no leaks are evident turn the power on.

Step E - Testing and commissioning (all models except boiling only HT models)

Filter Flush Mode (filtered models only)

The display screen will show which model you have.

Have a bucket or similar container (not supplied) at the ready to hold a quantity of water that is ejected while the Filter Flush Mode is in operation. Open the filter access door on the front of the HydroTap and the filter cartridge will be exposed. Located to the rear RHS of the cartridge is a fixed flush line, approx 600mm long and the flush line stop cock. Place the free end of the flush line into the bucket or container (not supplied).

Turn "ON" both water and electricity supplies and open the flush line stop cock. The display will show Filter Flush Mode. To activate press adjust \wedge . Run at least 7.5 Ltrs of water through to activate the filter membrane. Press the adjust \wedge button again to stop the Filter Flush Mode. Turn OFF the Filter Flush stop cock and re-locate the tube and stop cock in the filter compartment. Turning OFF the Filter Flush Mode puts the HydroTap into calibration mode. Press adjust \wedge to start calibration. The element will now cycle On and heat the water to 95°C maintaining it at that temperature for a short stabilization period.

Once stabilized, the element will cycle On, bring the water to boiling point and hold it there for a short period.

The unit now carries out a self calibration function to ensure correct temperatures are maintained. During this period the Red LED on the Tap Head assembly flashes slowly until the calibration function is complete.

Once this step is complete (approx 5 minutes) the unit will default to normal operation.

When starting, both Boiling and Chilled cycles activate simultaneously after calibration has taken place, the descriptions below indicate what happens during each cycle.

Boiling

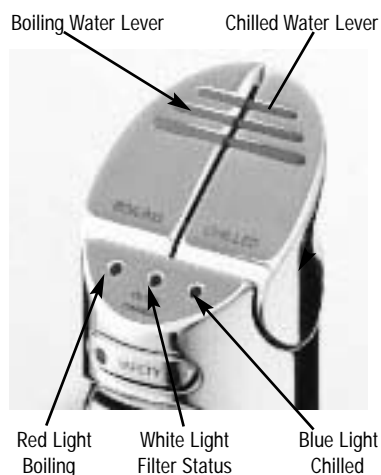
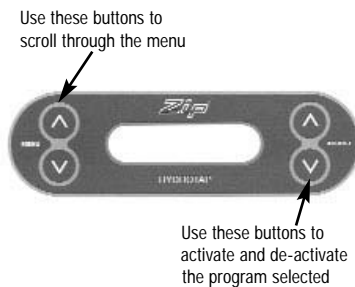
The unit is now running in normal operating mode. The Red LED will flash until usable temperature is reached.

Before using the HydroTap wait 5 minutes after this point to allow adequate fill time. The unit is now ready for use. Test water delivery from the tap and check for appropriate temperatures. Use cable clips to tidy and secure wiring.

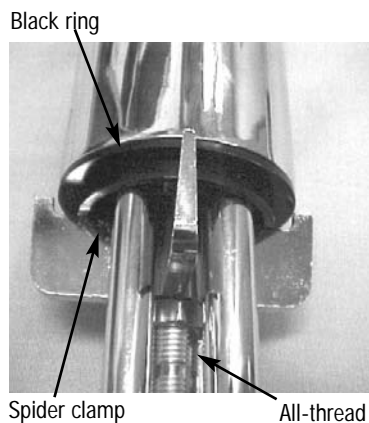
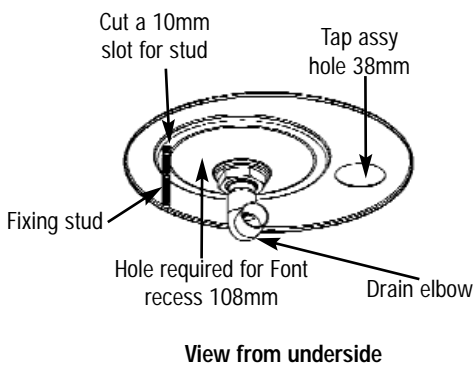
Chilled

When water and power is turned On, the Blue LED flashes slowly on the Tap Head assembly. The compressor activates and water begins to fill the chiller tank at the prescribed rate. When the water is chilled to 10°C the Blue LED on the Tap Head assembly stops flashing and stays illuminated. The compressor continues to chill down to 5° after which it will cycle Off.

Ensure that the clock matches your local time. If not refer to page 15 "Set time". If Energy Saver Settings are required, the instructions for installing these are described on on page 11 "Setting the Energy Saver Timer".



Font installation procedure



1. Position the Font template (provided) on the bench area. Ensure the position you select is within the length of the supply tube and USB cable fixed to the Tap Head Assembly. These cannot be extended.
2. Check again for correct positioning. The supply hoses must have constant fall back to the tank assembly. Cut the holes as shown on the template.
3. Once holes are cut, locate the Font base in position, from the underside, lightly tighten the securing rod with the nut and washer provided.
4. Now take the Tap Head Assembly and remove the fixing nut, washer and "Spider Clamp" from the "All Thread". Apply a light smear of silicon sealant to the underside of the black base ring, this will provide a water tight seal against the Font base when clamped.
5. Feed the hoses and USB cable through the Font base, then through the plastic spacer that sits under the font base but on the bench top, this stops warping of the base plate. Ensure the Tap spout is directly centered over the Font drain. Refit the "Spider Clamp", nut and washer onto the "All Thread". Have all the supply tubes and USB cable located evenly between the Spider Clamp legs. When satisfied with the positioning, tighten the fixing nut with the Tube Spanner provided in the kit.

NOTE: The "All Thread" is a "floating" component, it locks into place once tension is applied by the fixing nut and washer.
6. Tighten the securing pin so the Font base is flush with the bench top.

NOTE: The fixing nut above the drain elbow can be loosened to correctly position the direction of the elbow. Ensure when the re-positioning is complete the nut is re-tightened to ensure a water tight seal.
7. Connect a drain hose (22mm ID) from the Font base outlet elbow to the closest drain trap spigot available. If a spigot is not available use the snap on spigot and worm drive clamps supplied in the kit.
8. Ensure the positioning of the snap-on spigot is on the "sink" side of the trap and not the "waste" side. Once positioned, a hole (13mm ID) will need to be drilled to provide waste access to the drain line. The snap-on unit will require suitable sealant to keep it water tight against the waste pipe. Finish by fitting the worm drive clamps tightly on either side of the spigot and fitting worm drive clamps to either end of the drain hose. The drain hose from the Font must have constant fall
9. Connect the Tap head Assembly supply hoses and vent as per the instructions contained in the installation procedure section of this document.

Operating the Tap

Blue Chilled Water Light

On all the time:

This indicates that the chilled water temperature is within the usable range.

Flashing slowly :

This indicates that the chilled water is not at the right temperature. Wait up to 20 minutes. When the chilled water is ready, the light will stop flashing.

Note: The Zenith HydroTap is designed to dispense chilled water in the temperature range 5°C to 10°C. **During heavy usage, the temperature can rise out of this range.**



Note: On the Boiling only models the Chilled LED is blank.

Red Boiling Water Light

On all the time:

This indicates that the boiling water is ready.

Flashing slowly :

This indicates that the boiling water is below usable temperature.

Filter Change Light Off:

This indicates the filter is operating within its normal specified lifespan.

Filter Change Light Flashing slowly :

The light will flash slowly when the filter is due for replacement and the LCD will show "Filter Change". Refer to "Replacing the filter" section of this document.

Boiling Water Lever

Depressing the "Red" lever allows dispensing of boiling water. Pulling up the Red lever allows the tap to operate in a "no-touch" mode. Water will flow for a maximum time of 15 seconds. To reset, return the handle to the "Off" position and repeat the step. The lever has to be manually returned to the "Off" position.

Chilled Water Lever

Depressing the "Blue" lever allows dispensing of chilled water. Pulling up the Blue lever allows the tap to operate in a "no-touch" mode. Water will flow for a maximum time of 15 seconds. To reset, return the handle to the "Off" position and repeat the step. The lever has to be manually returned to the "Off" position.

Child Proof Lock (boiling / chilled models)

The child proof lock can be activated to prevent boiling water flowing if the hot lever is inadvertently activated. **To activate**, first press the safety button then depress the Blue chilled water lever for a period of approximately ten seconds. The safety lock indicator light will now be illuminated. **To de-activate**, first press the safety button then depress the Blue chilled water lever for a period of approximately ten seconds. The safety lock indicator light will now extinguish. **To operate when the lock is "ON"**, depress both the Red lever and the safety button simultaneously.



Child safety Lock

Child Proof Lock (all boiling only models except HT models)

To activate the child safety lock, go to the LCD display, using menu \wedge or \vee scroll to the Child Safety Lock display. To turn ON adjust \wedge to turn OFF adjust \vee button. After about 10 secs the screen will default to the selected mode. When activated the LED on the safety lock will be illuminated. When de-activated the LED will be off.

Child Proof Lock (HT boiling only models)

Pressing the safety button rapidly three times will either activate or de-activate the lock. Indicator light ON means the lock is active, indicator OFF means the lock is inactive.

Cleaning

Do not use strong, corrosive, spray or abrasive cleaners. Clean with a soft cloth or brush and mild soap and water.

Do not spray water over the tap as it may damage the low-voltage electronics.

Undersink units must never be cleaned with water jets.

Replacing the Filter *(filtered models only)*

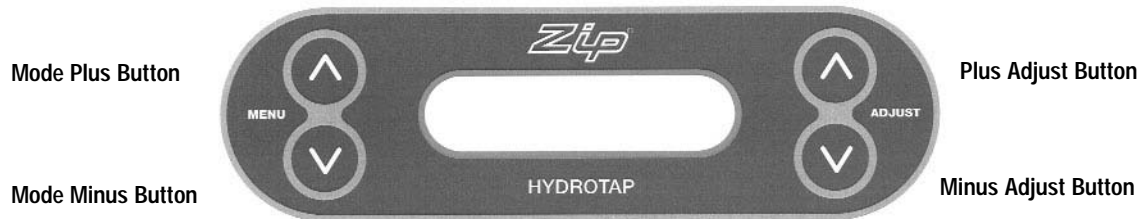
The Zenith HydroTap notifies the user when filter replacement is due. The default setting is 6000L. When a filter change is due, the Change Filter light flashes once a minute and remains so until reset. The filter status light is located between the Red and Blue Lights on the tap head assembly. Depending on local water quality conditions and usage, the filter change period can be set in increments of 1000L from 1,000L to 10,000L. The filter may also need to be replaced if unpleasant odours or tastes occur.

Some water may drip from the filter head during replacement. Keep a bucket and towel handy to catch drips and mop up any spills. To change the filter:

1. Scroll through the screen menu to "Filter Flush Off" this isolates supply.
2. Relieve system pressure via the filter flush stop cock, a quick open and close will do.
3. Grasp filter cartridge and twist right to left one quarter turn until it stops.
4. Ease cartridge downwards to detach it from the filter head (socket).
5. Do not tilt the cartridge as dirty water may spill from it if tilted.
6. Unpack replacement cartridge and write today's date where shown on the label.
7. Avoid touching the filter "O" rings and filter opening as this may cause bacterial contamination of the cartridge.
8. Align cartridge tabs with the slots on the under-side of the filter head.
9. Slide cartridge upward into head and rotate left to right until it stops.
10. Locate the filter flush hose situated behind the filter cartridge and run to a container ready for flushing. Open the flush hose tap lever. On the control panel press adjust \wedge , this will start the water flushing the cartridge. Allow at least 7.5 Ltrs of water to run through to activate the filter and then press adjust \wedge to stop the flow.
11. Isolate the filter flush stop cock and re-fit behind the filter cartridge.
12. Wipe up any spills and dispose of spent filter cartridge and packaging thoughtfully.
13. Scroll through the menu to "Litres Filtered", press adjust \wedge to reset litre counter. Then it asks "are you sure" press adjust \wedge again to lock in the command. After approx 10 secs it will default to the selected mode.

Warning: If the Zenith HydroTap is switched off for a long period of time, e.g. longer than a weekend, run water through the chilled water outlet for at least 5 minutes before consumption.

Setting the Energy Saver Timer (products with this feature only)



Normal Operation (not available on HT boiling only series)

Set Time

To change time, press either Mode \wedge or Mode \vee button until Set Time is on the display screen. Press \wedge Adjust button to increase time or \vee Adjust button to decrease time. Time increases or decreases in increments of one minute. Hold the Adjust buttons down for rapid increases or decreases.

Set Day

Press either Mode \wedge or Mode \vee button until Set Day is displayed.

Press \wedge Adjust or \vee Adjust to select day.

Filter Life (factory set at 6000 litres)

Press either Mode \wedge or Mode \vee button until Filter Life is displayed.

Press \wedge Adjust button to increase Filter Life or \vee Adjust button to decrease Filter Life.

Filter Life increases in 1000 Ltr increments to a maximum of 10000 Ltrs.

Reset Litres Filtered

This function is to reset the Filter Change display after a filter has reached the end of its life (refer to "Replace Filter Instructions" section of this document).

Press either Mode \wedge or Mode \vee button until Litres Filtered is displayed. Press \wedge Adjust once and "Reset Counter" will be displayed, press \wedge Adjust button once and "Are You Sure" will be displayed.

Press \wedge Adjust once and Litres Filtered will be reset to 0.

Activating Sleep Mode

This mode allows the HydroTap to go into Energy Saving mode. In this mode the unit will go to "sleep" after a pre-determined period of inactivity. Press either Mode \wedge or Mode \vee button until Sleep Mode is displayed. Press \wedge Adjust once to select 2 Hours or twice to select 4 Hours. When the period of inactivity passes, the display will show "Sleep Mode". During sleep mode the Red LED on top of the tap lever will flash slowly.

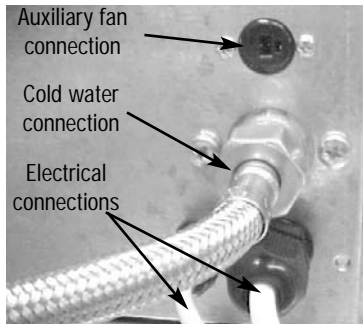
Activating On / Off Mode

Press either Mode \wedge or Mode \vee button until "Monday On" is displayed. To set the time for the unit to turn on press \wedge Adjust button until required time is reached.

To set the time for the unit to turn Off press Mode \wedge button once and Monday Off will be displayed. Now press \wedge Adjust until required time is reached.

If each individual day is to have an "On / Off" time, these steps need to be repeated for each day and for each "On / Off" time.

Auxiliary Fan Attachment (excluding HT boiling only models)



The HydroTap is equipped with an auxiliary connection point for an exhaust fan on the rear panel close to the cold water inlet / flex and plug area. The fan kit is available as a spare part. The fan operates in parallel with the Condensor fan helping to remove heat from the cupboard space. This fan should be purchased and fitted to the HydroTap if the airflow characteristics of the cupboard space are inadequate for the effective removal of hot air thereby adversely affecting the operation of the HydroTap.

The fan can be installed so that it extracts air from, or forces air into the cupboard space, whichever is the most effective for your installation.

Application of the fan is of paramount importance in situations where the cupboard space reaches temperatures greater than 35°C.

Boiling Water Safety Isolation (excluding HT boiling only models)

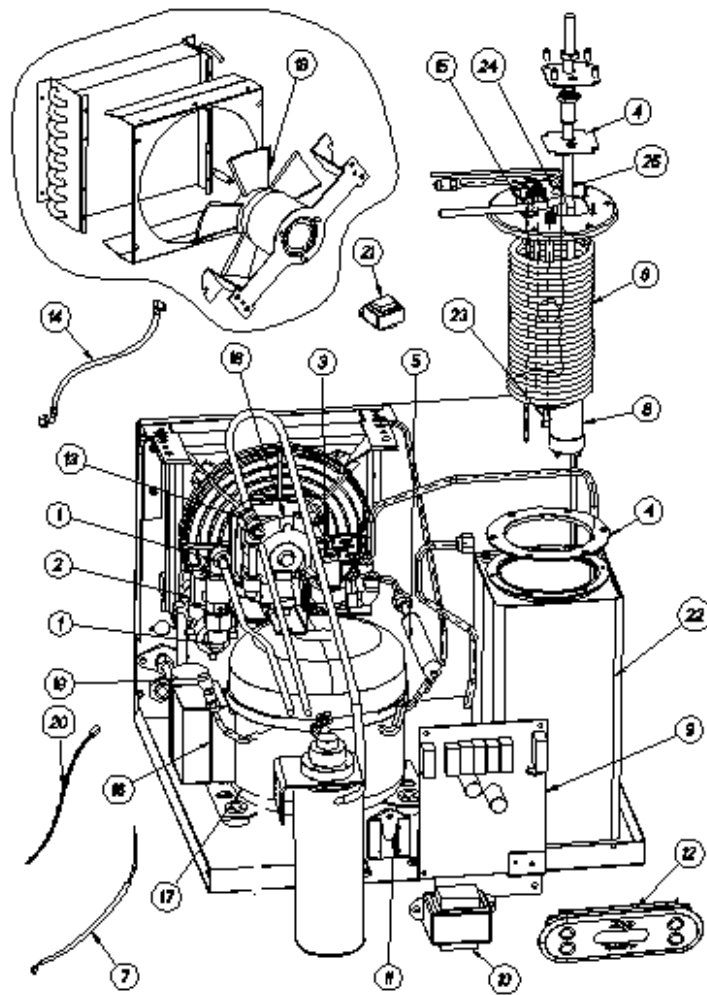
The HydroTap is equipped with a safety mode that allows protection against accidental operation by infirmed or disabled persons.

1. On the LCD scroll through the menu to Hot Isolation.
2. Press adjust \wedge to activate.
3. Press the safety button on the tap head (3) three times rapidly. The LEDs will scroll from left to right (3) three times. This operation confirms the activation.
4. This isolates the boiling tap only. The LCD shows isolation mode is active.
5. To de-activate, press the safety button (3) three times rapidly. The LED's will scroll from right to left (3) three times. This operation confirms de-activation.
6. The LCD will show Normal Operation.
7. If de-activation mode is required, de-activate by scrolling through the menu and selecting de-activate when Hot Isolation Mode is displayed on the screen.

Trouble Shooting

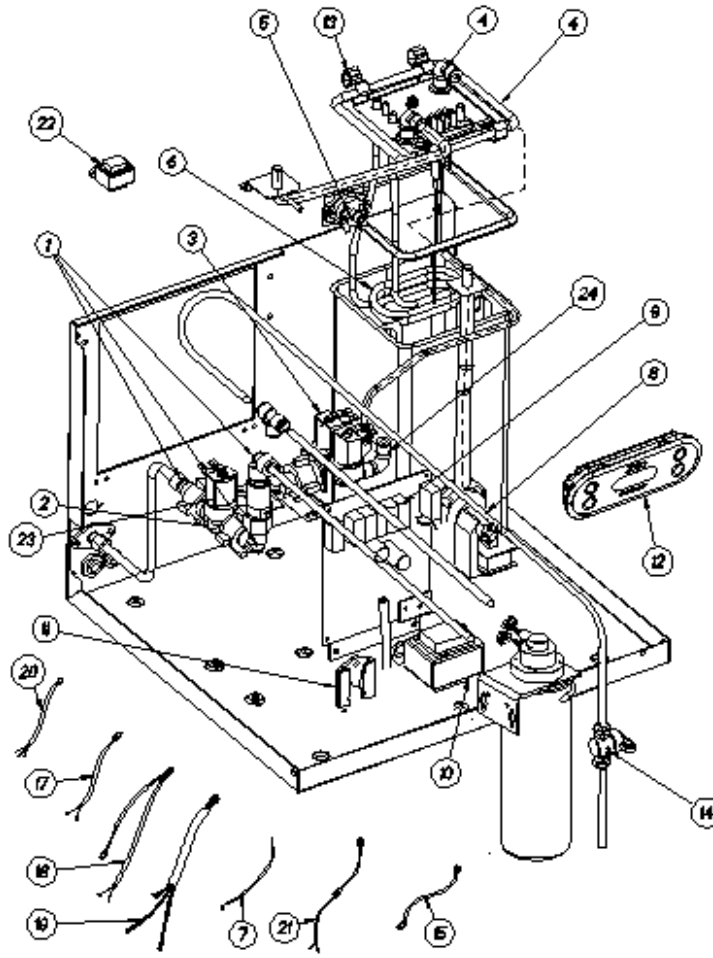
Symptom	Possible Cause	Solution
No LED display, no tap head lights or, no water when tap levers are operated.	No power.	Check power supply.
	Plug is not located in power socket.	Ensure power plug is correctly fitted and switch is turned ON.
	Tap loom is not connected to HydroTap unit.	Check loom connection.
	Possible internal fault.	Contact local Zenith service provider.
No water flow.	Program in OFF cycle	Check LCD for information.
	Water supply isolated.	Check water supply is on.
	Water supply not connected.	Check to ensure plumbing connecting is made.
	Power supply not connected.	Check power plug is correctly fitted and switch is turned on.
	Tap loom is not connected to HydroTap unit.	Check for loom connection
	Possible internal fault.	Contact local Zenith service provider.
Slow water recovery after use.	Program in OFF cycle.	Check LCD for information.
	Filter may require replacement.	Check filter usage on LCD screen, if "filter change" is displayed follow instructions on page 13.
Water not hot.	Unit in Sleep Mode.	Touch Hot lever and wait for Red LED to stop flashing.
	Unit has just come out of OFF cycle.	Wait for Red LED to stop flashing.
	Possible internal fault.	Contact local Zenith service provider.
Water not chilled.	Excessive use, unit refilling or chilling down to temperature.	Wait for Blue LED to stop flashing.
	Possible internal fault.	Contact local Zenith service provider.

Exploded View Chiller Module and Spare Parts



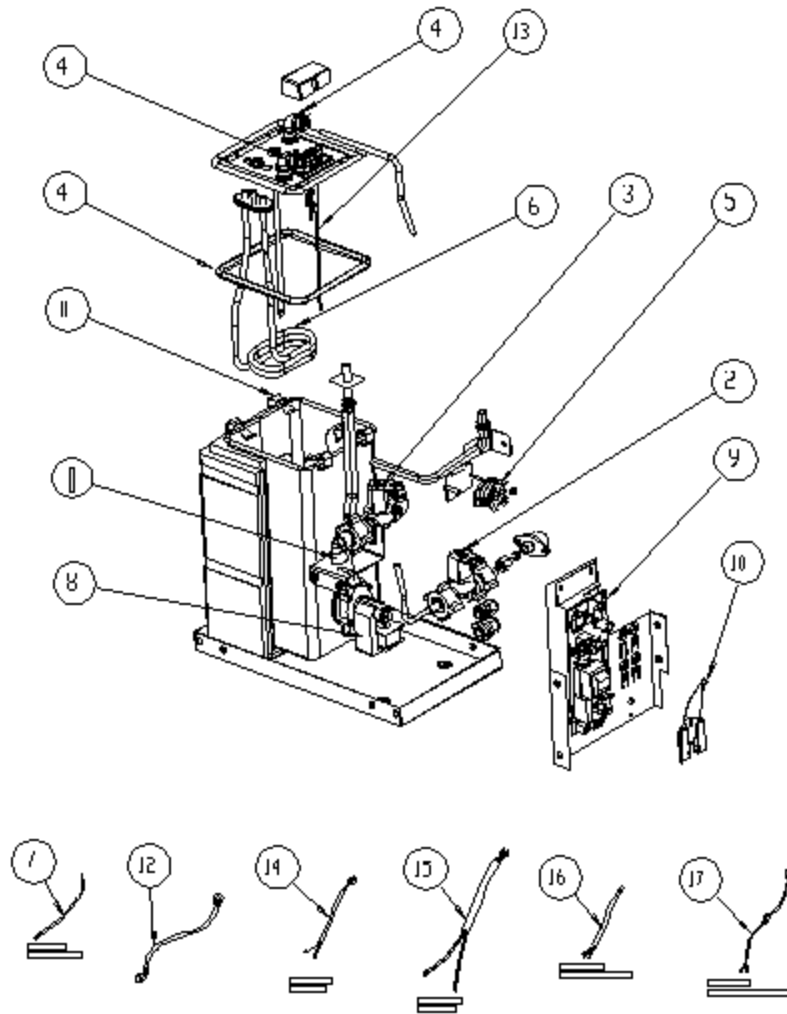
Item	Kit No.	Description	Item	Kit No.	Description
1	Z90613	plumbing fittings kit	14	Z90056	braided hose
2	Z90614	safety solenoid kit	15	Z90635	level sensor kit cold tank BC100/125
3	Z90615	double solenoid kit	15	Z90627	level sensor it BC150/175
4	Z90631	gasket and elbows kit cold tank	16	Z90636	relay compressor kit BC100/125
5	Z90626	dryer-filter kit nut and tube	16	Z90024	relay compressor kit BC150/175
6	Z90632	evaporator kit BC100/125	17	Z90637	compressor kit BC100/125
6	Z90641	evaporator kit BC150/175	17	Z90023	compressor kit BC150/175
7	Z90633	sensor probe kit	18	Z90639	fan motor kit BC100/125
8	Z90634	pump kit cold	18	Z90640	fan motor kit BC150/175
9	Z90622	PCB kit BC100/125 & BC150/175	19	Z90437	capacitor kit BC100/125
9	Z90663	PCB kit domestic BC60/85	19	Z90020	capacitor kit BC150/175
9	Z90664	PCB kit B100 & B150	20	Z90185	loom level sensor kit
9	Z90665	PCB kit domestic B60	21	Z90652	transformer kit-auxillary fan
9	Z90666	PCB kit boiling B100F & B150F	22	Z90657	second solenoid boiling only model
9	Z90667	PCB kit domestic B60F	23	Z90041	38mm chassis punch
9	Z90668	Pcb kit domestic ambient BF60	24	Z90671	3ag-10amp fuse
10	Z90623	transformer kit	25	Z90670	2ag-2amp fuse
11	Z90624	leak sensor kit	26	Z90669	2ag-1amp fuse
12	Z90625	control panel kit			
13	Z90628	stop valve and john guess fitting kit filter			

Exploded View Boiler Module and Spare Parts



Item	Kit No.	Description	Item	Kit No.	Description
1	Z90613	plumbing and fittings kit	13	Z90130	clips kit
2	Z90614	safety solenoid kit	14	Z90628	stop valve and john guess fittings kit for filter
3	Z90615	double solenoid kit	15	Z90056	braided hose inlet
4	Z90616	gasket and elbow kit BC 100/125	16	Z90629	level sensor kit hot tank BC100/125
4	Z90617	gasket and elbow kit BC 150/175	16	Z90630	level sensor kit hot tank BC150/175
5	Z90579	overload kit	17	Z90186	loom-overlad kit
6	Z90618	element 1500W kit	18	Z90187	loom-compressor to fan kit
6	Z90619	element 1800W kit	19	Z90188	loom-solenoid kit
7	Z90620	sensor probe kit	20	Z90189	loom-level sensor kit hot
8	Z90621	pump kit hot	21	Z90190	loom+gland main PCB to tap
9	Z90622	PCB kit BC 100/125 & BC 150/175	22	Z90652	transformer kit auxillary fan
10	Z90623	transformrer kit	23	Z90657	secondary solenoid boiling only models
11	Z90624	leak sensor kit	24	Z90617	elbow and gasket kit BC 150/175
12	Z90625	control panel kit			

Exploded View HT Series Boiling Only and Spare Parts



ITEM	KIT NO.	DESCRIPTION
1	Z90656	Plumbing and Fittings kit
2	Z90614	Safety Solenoid Kit
3	Z90657	Single Solenoid Kit
4	Z90658	Gasket and Elbow Kit BC 100/125
5	Z90579	Overload Kit
6	Z90618	Element 1500 watt Kit
7	Z90620	Sensor Probe Hot
8	Z90621	Pump Kit Hot
9	Z90689	PCB Kit Boiling Only
10	Z90624	Leak Sensor Kit
11	Z90130	Clips Kit
12	Z90056	Flexible Inlet Hose Kit
13	Z90690	Level Sensor Kit Hot Tank H/T 60/85
14	Z90186	Loom-Overload Kit
15	Z90661	Loom-Solenoids Kit
16	Z90189	Loom-Level Sensor Kit Hot
17	Z90190	Loom and Gland Main PCB to Tap

Notes

Notes

Notes

Warranty Information

The Zenith appliance you have chosen is precision-built from the finest materials available and should give many years of trouble free service.

Certain warranties may be implied by law into your contract with Zenith. The warranty provided below is additional to these implied warranties and nothing set out below shall limit your statutory rights or rights at law.

Parex Appliances warrants that, should any part fail within 12 calendar months of installation, that part will be repaired or replaced free of charge by Parex Appliances or its Distributor or Service Provider, except as set out below, provided the appliance is installed and used strictly in accordance with the instructions supplied, and that failure is not due to accident, misuse, abuse, unsuitable water conditions, or to any alteration, modification or repair by any party not expressly nominated by Parex Appliances.

No costs are payable by the customer other than any mileage or travelling-time charges incurred by a Zenith Service Provider or the cost of removal, cartage and re-installation of any component of the appliance if it needs to be returned for repair its Distributor.

This warranty does not cover damage resulting from non-operation of the appliance or consequential damage to any other goods, furnishings or property.

No warranty applies to the life of any filtration cartridge installed with the appliance as cartridge life may vary according to water quality and the rate of water consumption.

Parex Appliances does not exclude, restrict or modify any liability that cannot be excluded, restricted or modified or which cannot, except to a limited extent, be excluded, restricted or modified as between the owner or user and Parex Appliances under the laws applicable.

Furthermore, this warranty does not displace any statutory warranty, but, to the extent to which Parex Appliances is entitled to do so, the liability of Parex Appliances under any statutory warranty will be limited at Parex Appliances option to the replacement of the appliance or supply of equivalent appliance, the payment of the cost of replacing the appliance or acquiring an equivalent appliance, or the payment of the cost of having the appliance repaired or the repair of the appliance.

Head Office

Parex Appliances
103 Central Park Dr
Henderson Auckland

Email: info@parex.co.nz
Website: www.parex.co.nz
Telephone (09) 836 6566
Facsimile (09) 836 6033